

ENGLISH

DEUTSCH

ESPAÑOL

ITALIANO

FRANCAIS

LG SIGNATURE

Owner's Manual

Air Purifier & Humidifier

Read this owner's manual thoroughly before operating the appliance and keep it handy for reference at all times.

This manual is the simplified version of original manual.

You can obtain the original manual from www.LGSIGNATURE.com.



MFL69596005

www.LGSIGNATURE.com

Copyright © 2017 - 2019 LG Electronics. All Rights Reserved.





Table of Contents

The images in this owner's manual may be different from the product's actual components and accessories, which are subject to change by the manufacturer without prior notice for product improvement purposes.

Safety Instructions	04
Disposal of waste batteries/accumulators	09
Disposal of your old appliance.....	09
Operation.....	11
Product Overview	11

Open Source Software Notice

To obtain the source code contained in this product and developed under GPL, LGPL, MPL and other open source licenses, visit <http://opensource.lge.com>


In addition to the source code, all referred license terms, warranty disclaimers, and copyright notices are available for download.

LG Electronics will also provide open source code on CD-ROM for a charge covering the cost of performing such distribution (such as the cost of media, shipping, and handling) upon email request to opensource@lge.com. This offer is valid for three (3) years from the date on which you purchased the product.


Safety Instructions


READ AND SAVE THESE INSTRUCTIONS.

This guide contains many important safety messages. Always read and obey all safety messages.

 This is the safety alert symbol. It alerts you to safety messages that inform you of hazards that can kill or hurt you or others, or cause damage to the product.

All safety messages will be preceded by the safety alert symbol and the hazard signal word WARNING or CAUTION. These words mean:

 **WARNING** You can be killed or seriously injured if you do not follow instructions.

 **CAUTION** Indicates an imminently hazardous situation which, if not avoided, may result in minor or moderate injury, or product damage.

This equipment is home (class B) EMI suitable equipment, which is mainly for home use, and it can be used in all regions.

Warning

To reduce the risk of fire, electric shock, or personal injury when using this product, follow basic safety precautions, including the following:

CHILDREN IN THE HOUSEHOLD

This appliance is not intended for use by persons (including children) with reduced physical, sensory or mental capabilities or lack of experience and knowledge, unless they have been given supervision or instruction concerning use of the appliance by a person responsible for their safety. Children should be supervised to ensure that they do not play with the appliance.

FOR USE IN EUROPE:

This appliance can be used by children aged from 8 years and above and persons with reduced physical, sensory or mental capabilities or lack of experience and knowledge if they have been given supervision or instruction concerning use of the appliance in a safe way and understand the hazards involved. Children shall not play with the appliance. Cleaning and user maintenance shall not be made by children without supervision.



INSTALLATION

- Install product so that the plug is easily accessible.
- Install the product on a flat, level surface.
- Do not expose the product to splashing water or rain.
- Do not install the product in an area exposed to direct sunlight or near heat-generating equipment such as ovens or space heaters.
- Do not install the product in an area prone to combustible gas leaks, grease, or metal dust.

POWER

- Connect this product to a dedicated, grounded electrical outlet rated for 220 — 240 V.
- Do not use an adaptor plug with this product or plug it into a multi-outlet extension cord.
- Do not, under any circumstances, cut or remove the third (ground) prong from the power cord.
- NEVER unplug the product by pulling on the power cord. Grip the plug firmly and pull it straight out from the outlet.
- If the supply cord is damaged, it must be replaced by the manufacturer or its service agents or a similarly qualified person in order to avoid a hazard.
- Do not use an uncertified power outlet.
- Unplug the power plug immediately in the event of a blackout or thunderstorm.

- Plug in the power plug with the power cord facing downward.
- Unplug the product before cleaning it, replacing the filters or filling water in the water bucket directly.
- Do not touch the power plug with wet hands.
- Clean dirt or moisture off the power plug before plugging it in.
- Take care not to pinch the power cord under the product or any heavy objects.
- Unplug the product when not in use.
- Do not modify or extend the power cable.
- When the power cord is to be replaced, the replacement work shall be performed by authorized personnel using only genuine replacement parts.

USE

- If the product is submerged in water, stop using the product and contact an LG Electronics Customer Information Center for service.
- In the event of a gas leak (propane/ LPG), ensure adequate ventilation and contact an authorized service center before resuming use. Do not touch the product or the power plug.
- Do not use an abrasive cloth or sponge, or a metal brush to clean the product.



- Disconnect the power cord immediately if you hear a noise, smell a strange odor, or detect smoke coming from the product.
- Do not disassemble, repair or modify the product yourself.
- Do not use or store flammable or combustible substances such as ether, benzene, alcohol, drugs, LP gas, combustible sprays, insecticides, air fresheners, cosmetics, candles, or lamps near the product.
- Do not place the cord under rugs, carpeting, or mats.
- Do not allow animals or pets to chew on the power cord.
- Do not allow children to hang on or play with the product.
- This appliance is not intended for use by persons (including children) with reduced physical, sensory, or mental capabilities, or lack of experience and knowledge, unless they have been given supervision or instruction concerning the use of the appliance by a person responsible for their safety.
- Do not move the product while it is operating.
- Use only the handle to move the product.
- Do not place objects on top of the product.
- Do not insert hands or metal objects into the air inlet or outlet.
- Product must be properly grounded.
- Avoid pinch points when removing or assembling the filters.
- Operate the product on a stable surface. If the product tips over and water spills out during humidification, there is a risk of electric shock.
- Unplug the product and empty any remaining water before storing the product or if it will be unused for an extended period.
- Do not use the product if it is damaged or disassembled.
- Unplug the product before cleaning it.
- Do not put combustible or flammable materials inside the product.
- A button/Coin-type battery is used in the remote control of the product.
- Do not swallow the battery. Otherwise, it may cause serious damage, including damage to your organs.
- If you swallow the battery, you may suffer organ damage within 2 hours. If serious, it may even cause death.
- Keep the battery out of children's reach.
- If the battery tray is not fixed firmly, stop using the product and keep the battery tray out of children's reach.
- If you swallowed the battery, seek immediate medical help.

DISPOSAL

- Dispose of all packaging materials promptly and keep them out of the reach of children.





Caution

To reduce the risk of fire, electric shock, or personal injury when using the product, follow basic safety precautions, including the following:

INSTALLATION

- Do not tilt the product while moving or cleaning it.
- This product is not designed for use in mobile vehicles, including RVs or boats.
- Do not place the product within 1 m of a TV or stereo equipment. It may cause interference.
- Do not place the product near a window or near the air intake or outlet of an air conditioner or heater. Doing so may cause the humidity sensor to malfunction.

USAGE

- Do not use to remove toxic gases such as carbon monoxide.
- Do not use the product in place of a vent hood. Doing so will shorten the product's lifespan.
- If used for a long period in an area with unstable voltage, the product may automatically shut down to protect product components.
- Do not block the product's air intake or outlet.

- Do not place the product near curtains which can be blown against it and cause the humidity sensor to malfunction.
- Use the product for its intended purpose. The product is not intended for preserving or protecting animals, precision equipment, or artwork.
- Do not step on the product or place objects on top of the product.
- Do not operate the product with wet hands.
- Do not allow the moisture from a humidifier to directly contact the product.
- Hold the water bucket with both hands when moving it.
- Do not expose the product to freezing temperatures.
- Replace any remaining water in the product with clean water every day.
- Do not use the product while it is on its side.
- Do not place the product on or near items that may be damaged or discolored by heat or humidity.



- Do not store or ship the product with water in it.
- Use clean tap water. Do not use water that is hotter than 40°C.
- Use the filter only for its intended purpose.
- Do not use detergents, cosmetics, chemicals, air fresheners, or disinfectants in the product.
- Do not drink the water used in the product or use it to feed plants or animals. Doing so could cause illness.
- Use a soft cloth to clean the product. Do not use strong detergents or solvents.
- When cleaning the parts, use proper cleaning method according to the corresponding manual. Also, when replacing the parts, install new parts in proper locations according to the corresponding manual.
- Do not modify the battery arbitrarily. Otherwise, it may cause fire or product failure.
- If you insert the battery into the product incorrectly, it may cause an explosion.
- Do not disassemble or recharge the used battery. Do not throw it in the fire or subject it to heat. Doing so may cause an explosion.
- If the battery runs out of charge, replace it with a new one (CR2025).
- If the remote control has a problem, try replacing the battery or changing the poles of the battery before contacting the service center.
- Dispose of the used battery according to environmental regulations.





Disposal of waste batteries/accumulators



- This symbol may be combined with chemical symbols for mercury (Hg), cadmium (Cd) or lead (Pb) if the battery contains more than 0.0005% of mercury, 0.002% of cadmium or 0.004% of lead.
- All batteries/accumulators should be disposed separately from the municipal waste stream via designated collection facilities appointed by the government or the local authorities.
- The correct disposal of your old batteries/accumulators will help to prevent potential negative consequences for the environment, animal and human health.
- For more detailed information about disposal of your old batteries/accumulators, please contact your city office, waste disposal service or the shop where you purchased the product.
(<http://www.lg.com/global/sustainability/environment/take-back-recycling/global-network-europe>)

Disposal of your old appliance



- This crossed-out wheeled bin symbol indicates that waste electrical and electronic products (WEEE) should be disposed of separately from the municipal waste stream.
- Old electrical products can contain hazardous substances so correct disposal of your old appliance will help prevent potential negative consequences for the environment and human health. Your old appliance may contain reusable parts that could be used to repair other products, and other valuable materials that can be recycled to conserve limited resources.
- You can take your appliance either to the shop where you purchased the product, or contact your local government waste office for details of your nearest authorised WEEE collection point. For the most up to date information for your country please see www.lg.com/global/recycling

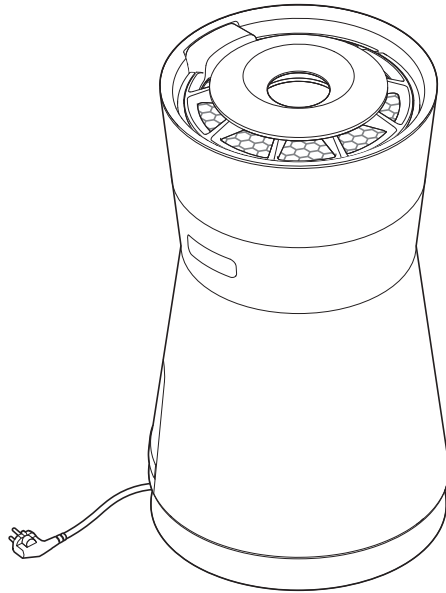
⚠ Warning — This appliance contains a UV-C emitter. Do not stare at the light source.

- Unintended use of the appliance or damage to the housing may result in the escape of dangerous UV-C radiation. UV-C radiation may, even in little doses, cause harm to the eyes and skin.
- Appliances that are obviously damaged must not be operated.
- If the UV-C emitter is damaged, it must be replaced by the manufacturer or its service agents or a similarly qualified person in order to avoid a hazard.

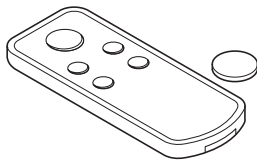


Unpacking

Parts



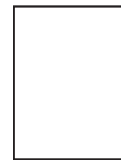
Air purifier and humidifier



Remote controller /
battery (CR2025, 1 EA)



Ultra-fine cloth



Owner's Manual

- The appearance or components of the product may differ depending on the model.
- The shape of the power plug differs depending on the country.

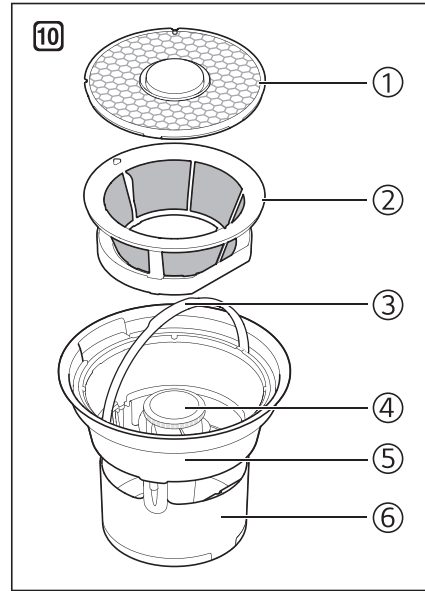
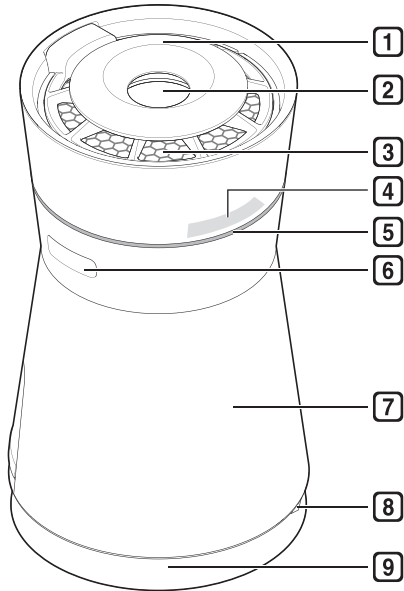




Operation

Product Overview

Front View



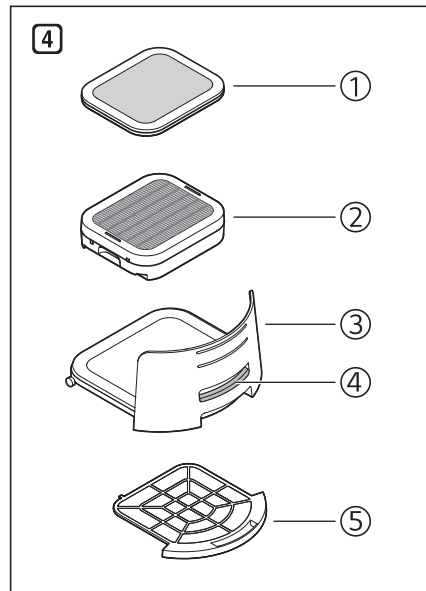
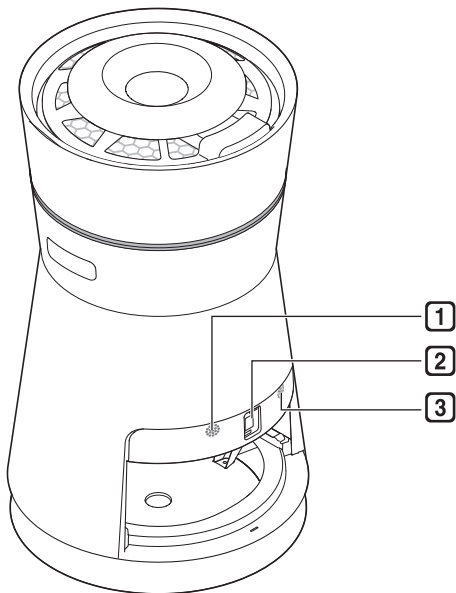
- 1 Top cover (control panel and water level indicator light)**
Change product settings or check water level.
- 2 Easy-fill water bucket inlet**
Easily add water to the water bucket.
- 3 Air outlet**
Vents purified air and moisture.
- 4 Status display panel**
Check the product's settings and the air quality level.
- 5 Air quality indicator light**
Displays current overall air quality level using colored light.
- 6 Main unit handles**
Use handles to move the product.

- 7 Smart Diagnosis™ speaker**
Used when troubleshooting product malfunctions or failures.
- 8 Remote controller sensor panel**
- 9 Air inlet**
- 10 Signature watering system**
 - Top water bucket filter — 1
 - Side water bucket filter — 2
 - Water bucket handle — 3
 - Watering Engine™ — 4
 - Air quality window — 5
 - Water bucket — 6

• Product's exterior or components may be different for each model.



Back View



1 Humidity sensor

Detects humidity level.

2 PM1.0 (super ultra-fine dust) sensor

Detects dust density.

3 Odor sensor

Detects odors in the air.

4 Signature Black filter system

① Deodorizing Black Filter

Filters out unpleasant odors such as strong food odors or cigarette smoke odor.

② PM 1.0 Black Filter

Filters out super ultra-fine dust particles like fine sand or cigarette ash.

③ Filter tray

Holds the PM 1.0 Black Filter and the deodorizing Black Filter.

④ Filter tray release button

Opens the filter tray.

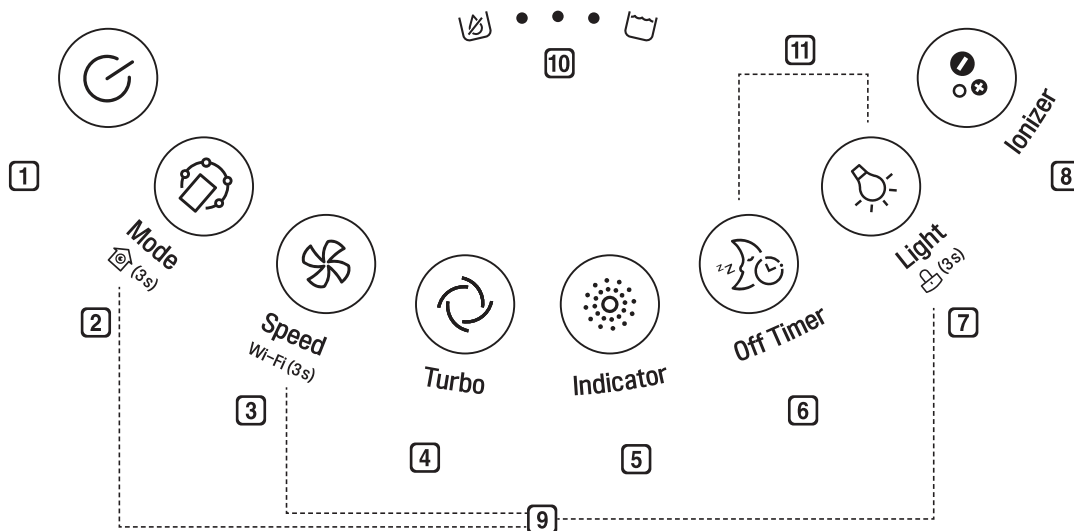
⑤ Ultra fine filter (PRE-FILTER)

Filters out large dust particles like animal hair.

Note

- Product will not work without the filters in place.
- Close outside doors and windows during use, if possible. To avoid high carbon dioxide levels, do not use for long periods in a tightly enclosed space.
- The product cannot remove harmful CO (carbon monoxide) gas from the air.
- The air purifier's deodorizing Black Filter is designed to remove odors from the air.
- If the deodorizing Black Filter is exposed to excessive odors for long periods, it may need to be replaced more often. In this case, the filter itself may produce an odor.
- Do not use the air purifier in place of a range hood or vent. To rid indoor air of strong odors, ventilate the area using a range hood or by opening windows or doors. Then use the product to remove any odors remaining after ventilation.

Control Panel and Water Level Indicator



1 Start/Stop button

Starts or stops operation.

2 Mode button

Sets the operating mode.

- Press the button repeatedly to cycle through the operating modes from **Purify** → **Humid Purify** → **Silent**.

3 Speed button

Adjusts the fan speed.

4 Turbo button

Quickly purifies the air.

5 Indicator button

Cycles through the current humidity and dust density levels.

6 Off Timer button

Puts product in **Sleep** mode and sets it to turn off automatically after 2, 4, 8, or 12 hours.

7 Light button

Turns the air quality indicator light on/off.

8 Ionizer button

Generates ions to remove various germs in the indoor air.

9 Additional functions

Press and hold each button for about 3 seconds to start the corresponding function.

- (3s): Air Quality Monitoring function
- (3s): Wi-Fi function
- (3s): Control Lock function

10 Water level indicator lights

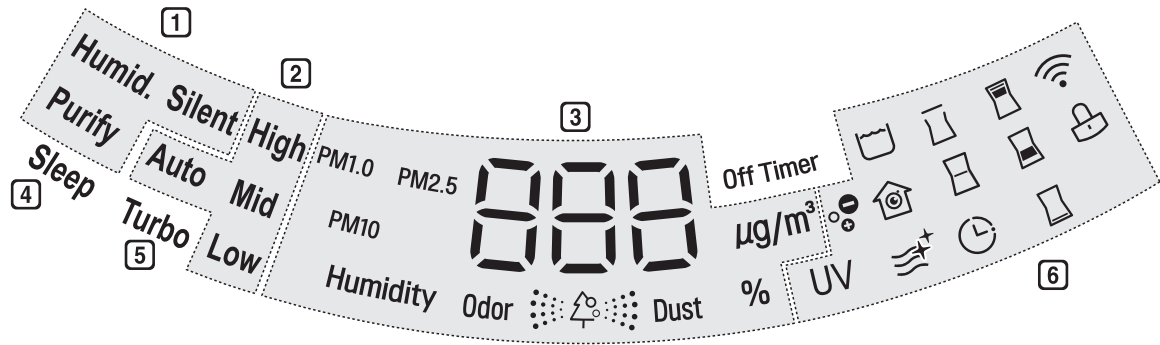
Displays the fill level of the water bucket.

- (Empty) ● ● ● (Full)

11 Hygiene drying function

- When the Hygiene Drying function is running, (hygiene drying) appears in the status display panel.
- To turn off the Hygiene Drying function, press and hold the **Off Timer** and **Light** buttons for about 3 seconds.

Status Display Panel



1 Operating mode display

2 Fan speed display

3 Air quality display

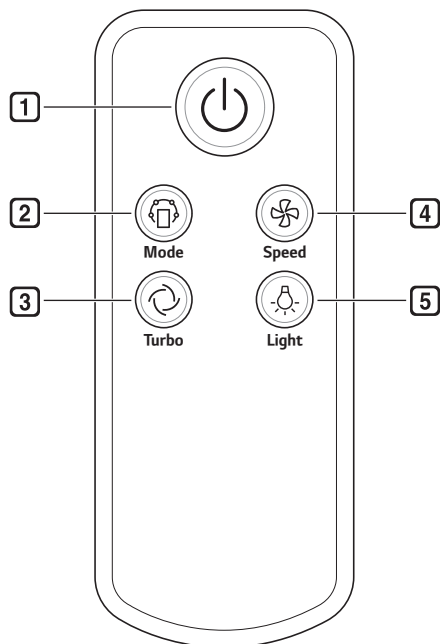
4 Sleep timer display

5 Turbo display

6 Display Icons

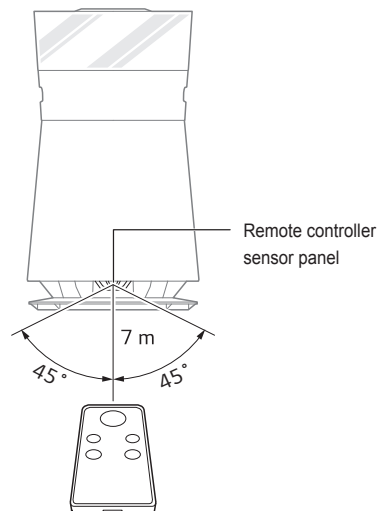
Icon	Description
	Ionizer function is ON to sterilize the air using ions.
UV	Water bucket's UV LED Lighting Water Treatment is running.
	Water bucket is full.
	Air quality monitoring function is ON.
	Hygiene drying function is ON.
	ON/OFF timer is activated using the LG Smart ThinQ application.
	Top cover is not properly mounted.
	One or more of water bucket filters are missing, improperly assembled, or need to be cleaned.
	The deodorizing Black Filter is missing or improperly assembled.
	PM 1.0 Black Filter or deodorizing Black Filter are missing, improperly assembled, or need to be cleaned.
	The ultra fine filter (pre-filter) is missing, improperly assembled, or needs to be cleaned.
	Product is connected to a Wi-Fi network.
	Control Lock function is ON.

Remote Controller



- 1 Start/Stop button**
Starts or stops operation.
- 2 Mode button**
Sets the operating mode.
 - Press the button repeatedly to cycle through the operating modes from **Purify** → **Humid Purify** → **Silent**.
- 3 Turbo button**
Quickly purifies the air.
- 4 Speed button**
Adjusts the fan speed.
- 5 Light button**
Turns the air quality indicator light on/off.

Remote Controller Sensor



! Caution

- Do not step on or apply pressure.
- Do not store or use near water or in high humidity.
- Do not store or use near an open flame or heating devices such as space heaters or ovens. The battery could explode.
- Remove the battery before storing to avoid damage from leaking battery fluid.
- Do not disassemble or recharge the battery. Dispose of the used battery properly to avoid fire or explosion.

Note

- To purchase a replacement remote controller, visit a nearby LG service center.
- Pressing multiple buttons at the same time may cause the remote to malfunction.
- To use, hold with the remote controller's transmitter facing the product's sensor.
- The remote works best within 7 m and 45° to the left or right of the sensor in front of the product.
- If the remote controller does not work after replacing the battery, call for service.
- The remote controller may not work under very bright light from three-wave fluorescent lamps or neon signs.



Memo

A large, empty rectangular area with rounded corners, intended for writing a memo. The area is white and occupies most of the page.

