

SIMPLE MANUAL

Mini Hi-Fi System

To view the instructions of advanced features,
visit <http://www.lg.com> and then download Owner's Manual.
Some of the content in this manual may differ from your unit.

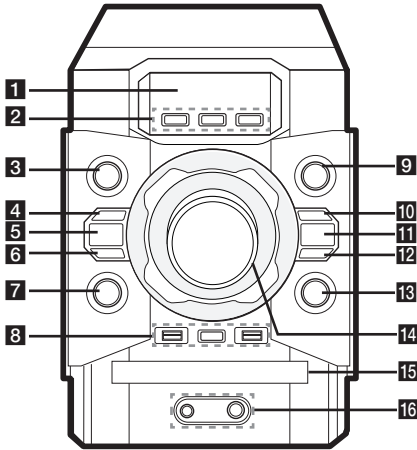
MODEL
CM5660



www.lg.com



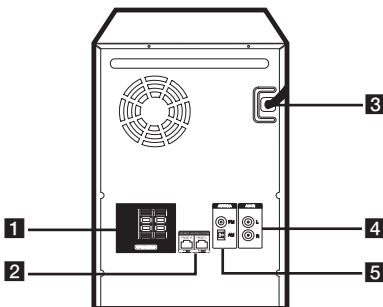
Front Panel



- 1** Display window
- 2** **KEY CHANGER (# / b)**
Changes the key to suit your vocal range.
VOICE CANCELLER
You can enjoy the function while playing the music, by reducing singer vocal of music in the various source.
- 3** **⏻/⏻ (Standby/On)**
Switches the unit ON or OFF.
- 4** **⏹ (Stop)**
Stops playback or recording.
- 5** **AUTO DJ**
Selects the AUTO DJ mode.
- 6** **⏮ (Skip/Search)**
- Searches backward.
- Skips to the previous track/file.
- Selects the radio stations.

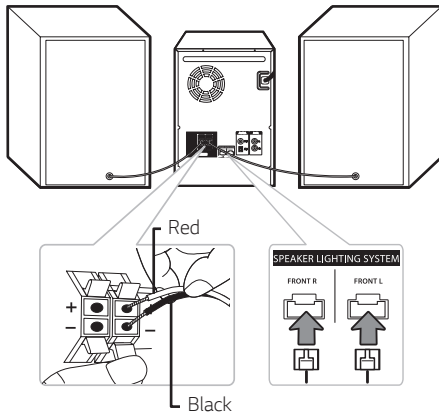
- 7** **LIGHTING / MIC VOLUME**
- Turns on/off the lighting effects.
- Press and hold to enter microphone adjustment mode.
- 8** **USB1/USB2**
Plays the audio files by connecting the USB device.
USB REC / DEMO
- Records to USB.
- Shows demo mode.
- 9** **F (Function) / WIRELESS LINK**
- Selects the function and input source.
- Press and hold for 3 seconds to select WIRELESS PARTY LINK mode.
- 10** **>|| (Play/Pause) STEREO / MONO**
- Starts or pauses playback.
- Selects Stereo/Mono.
- 11** **REGION EQ / BASS BLAST**
- Chooses region equalizer.
- Press and hold to select BASS effect directly.
- 12** **>>| (Skip/Search)**
- Searches forward.
- Skips to the next track/file.
- Selects the radio stations.
- 13** **⏏ (Open/Close) EJECT**
Opens or closes the disc tray.
- 14** **MASTER VOLUME**
- Adjusts volume of speaker.
- Adjusts volume of microphone.
- 15** Disc tray
- 16** **PORT. (Portable) IN jack**
Connect a portable device.
MIC. (Microphone) jack
Connect a microphone.

Rear Panel



- 1** **SPEAKERS** terminal
- 2** **SPEAKER LIGHTING SYSTEM**
- 3** Power cord
- 4** **AUX IN (L/R)**
- 5** **ANTENNA (FM/AM)**

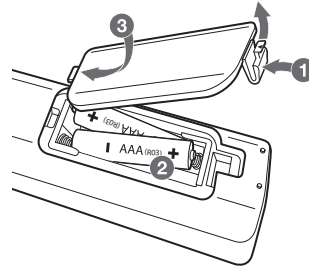
Speaker Connection



How to disconnect the wireless network connection or the wireless device

Turn off the unit by pressing the power button for more than 5 seconds.

Replacement of battery



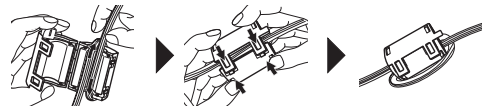
Additional Information

Specifications

Power Requirements	Refer to the main label on the unit.
Power Consumption	Refer to the main label on the unit. Networked standby : 0.5 W (If all network ports are activated.)
Dimensions (W x H x D)	Approx. 207 mm x 282 mm x 261 mm
Net Weight	Approx. 3.5 kg
Bus Power Supply (USB)	5 V 500 mA
Total Output (RMS)	700 W

Design and specifications are subject to change without notice.

About Ferrite Core (Optional)



Wind SPEAKER LIGHTING SYSTEM cables around the ferrite core once.

Controller App



Download the **Musical Flow Bluetooth** App to your device.

LG Sound Sync (Wireless)



For more information, download the online owner's manual. <http://www.lg.com>

