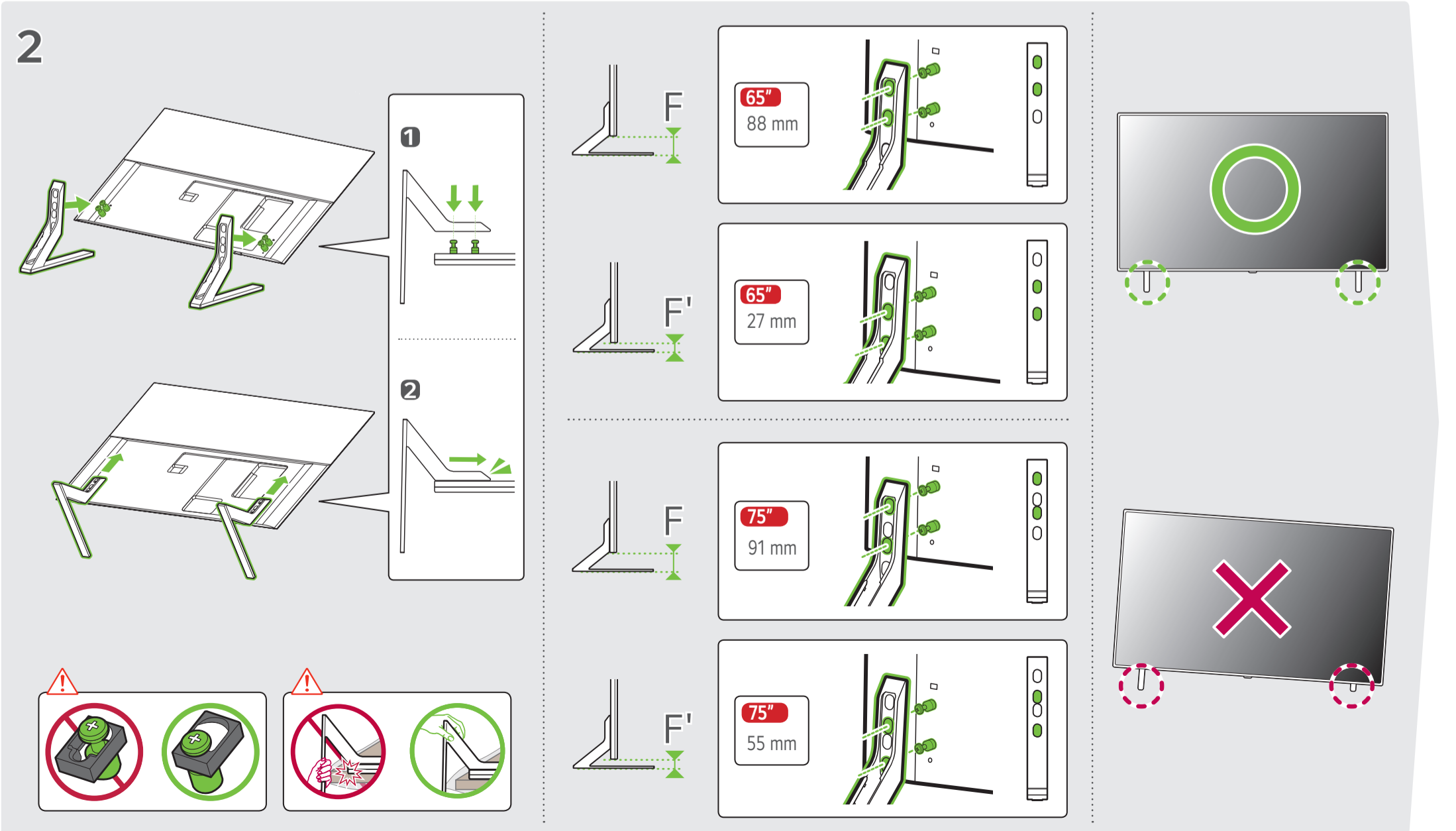
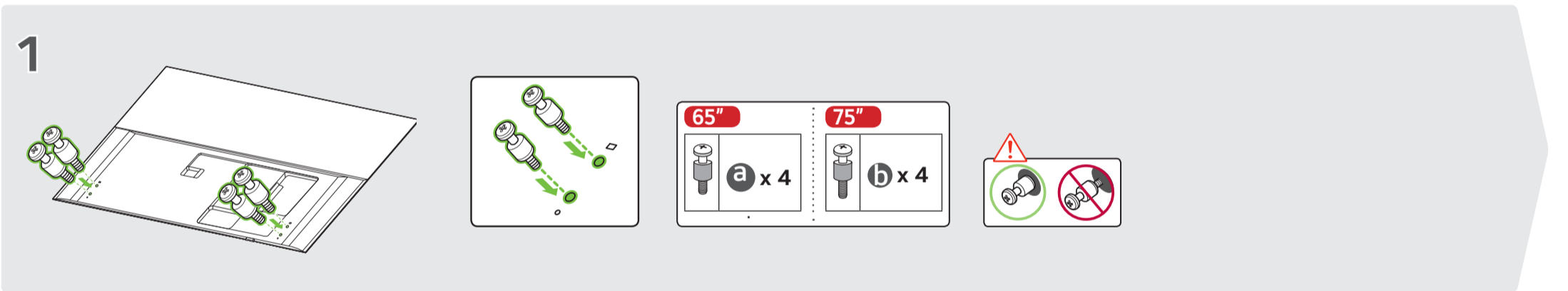
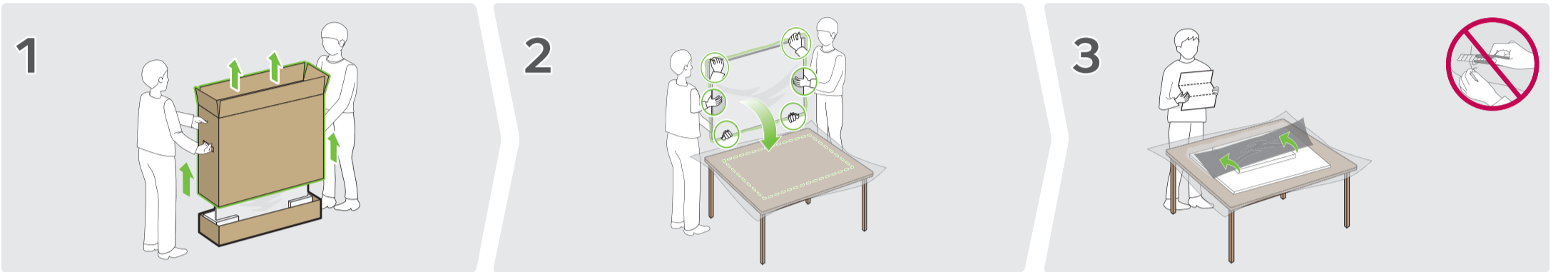
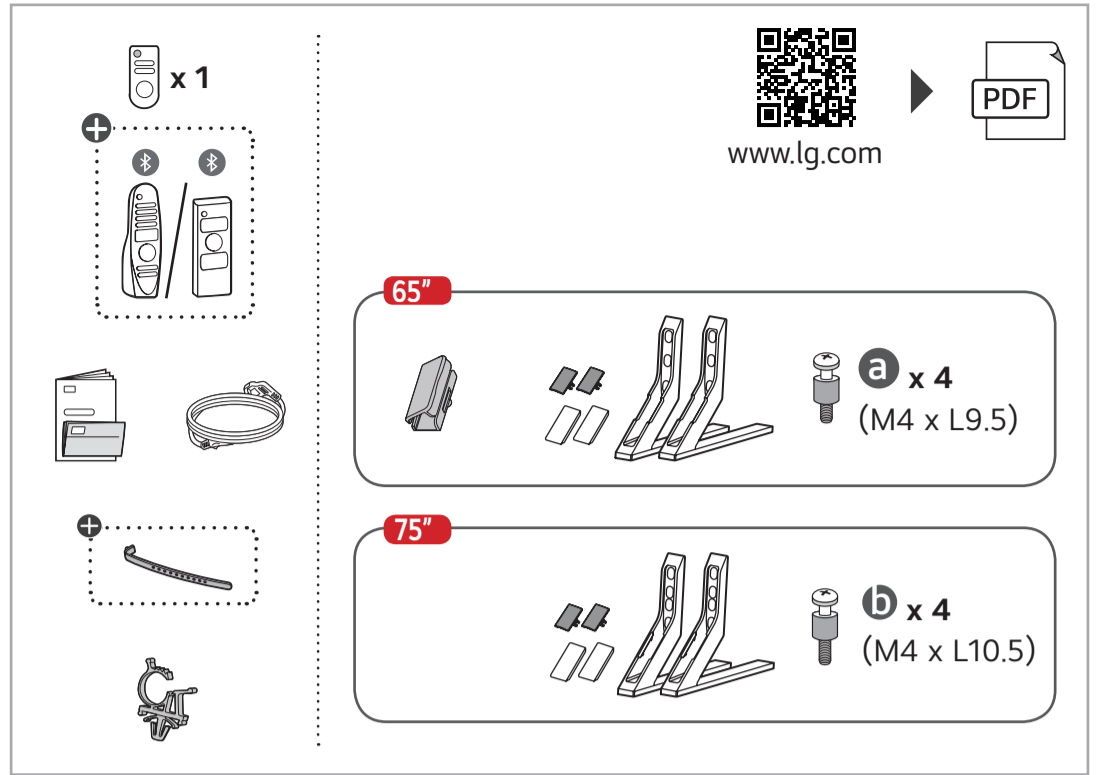
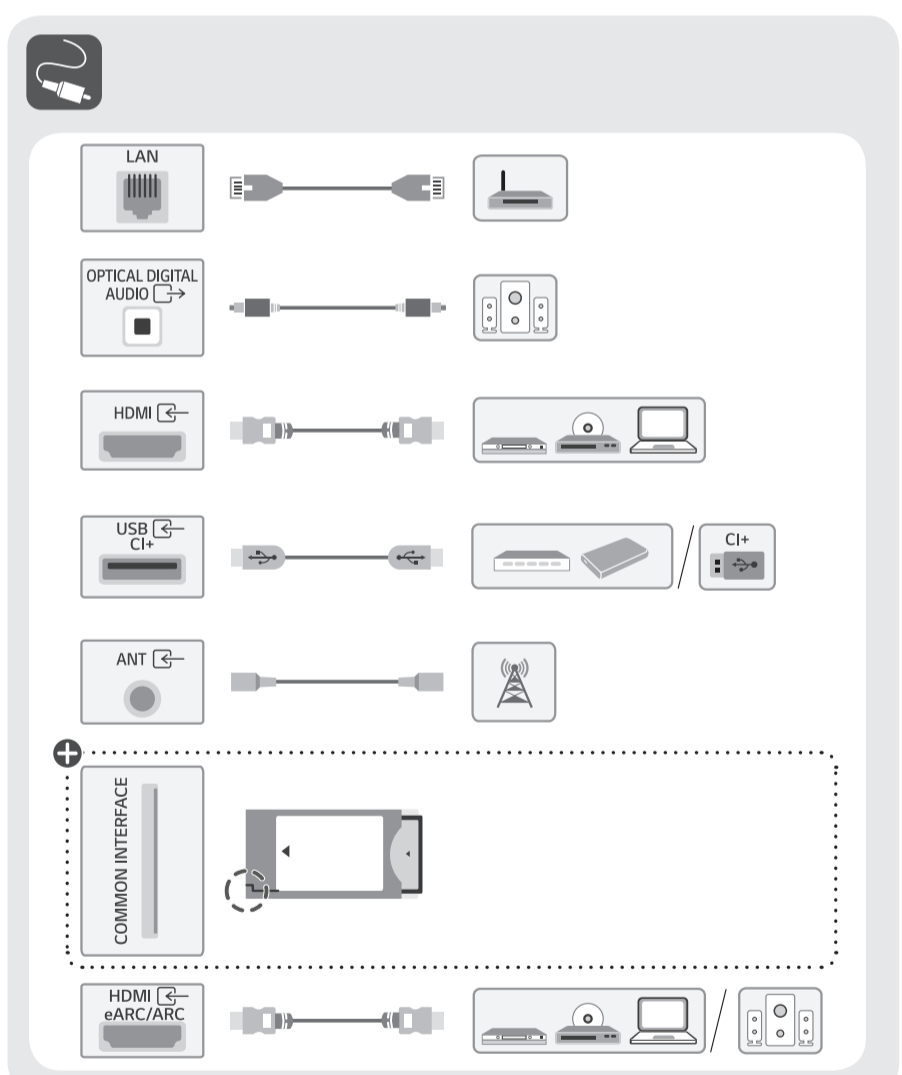
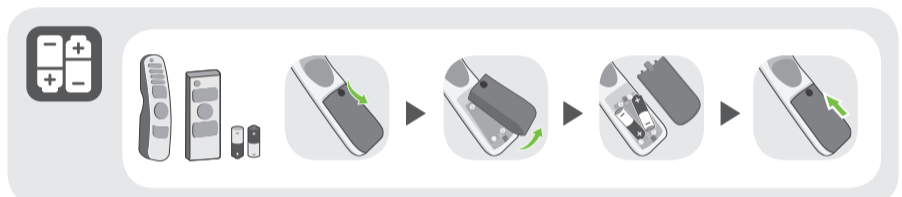
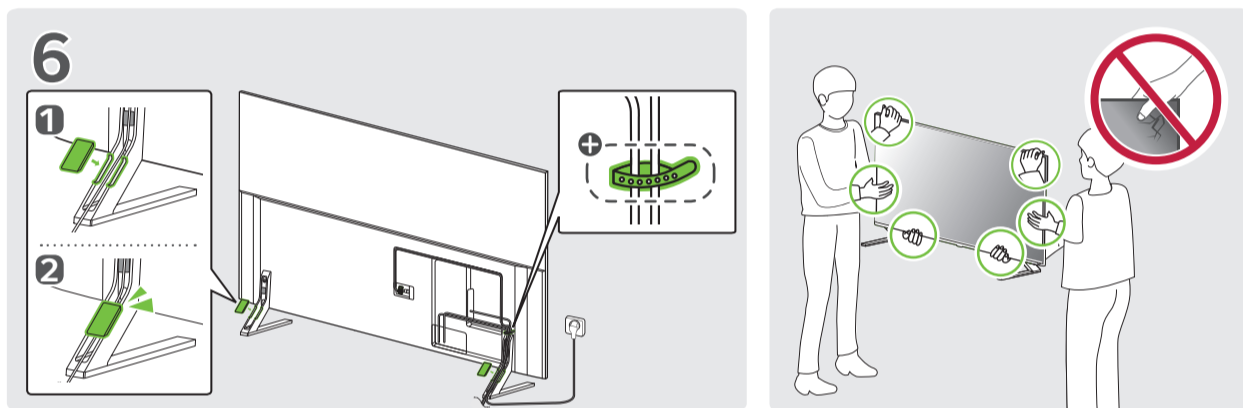
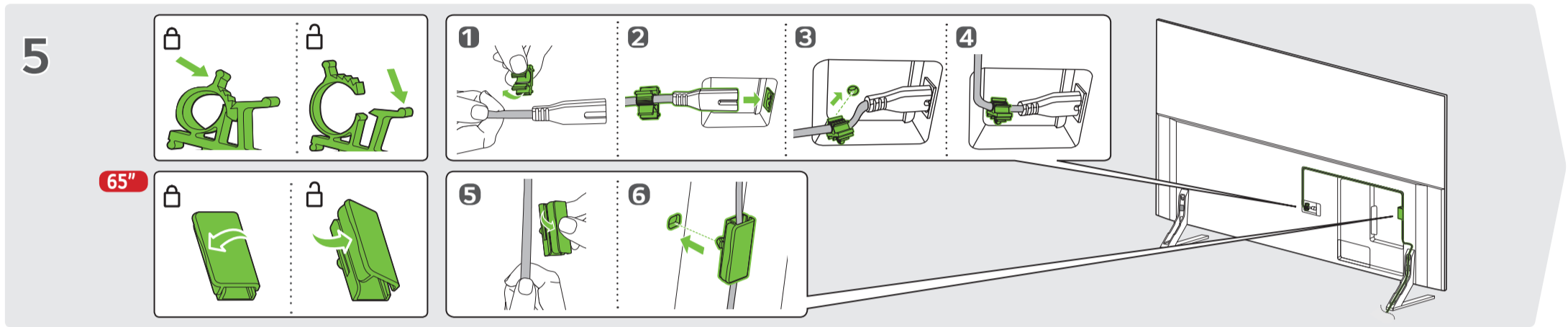
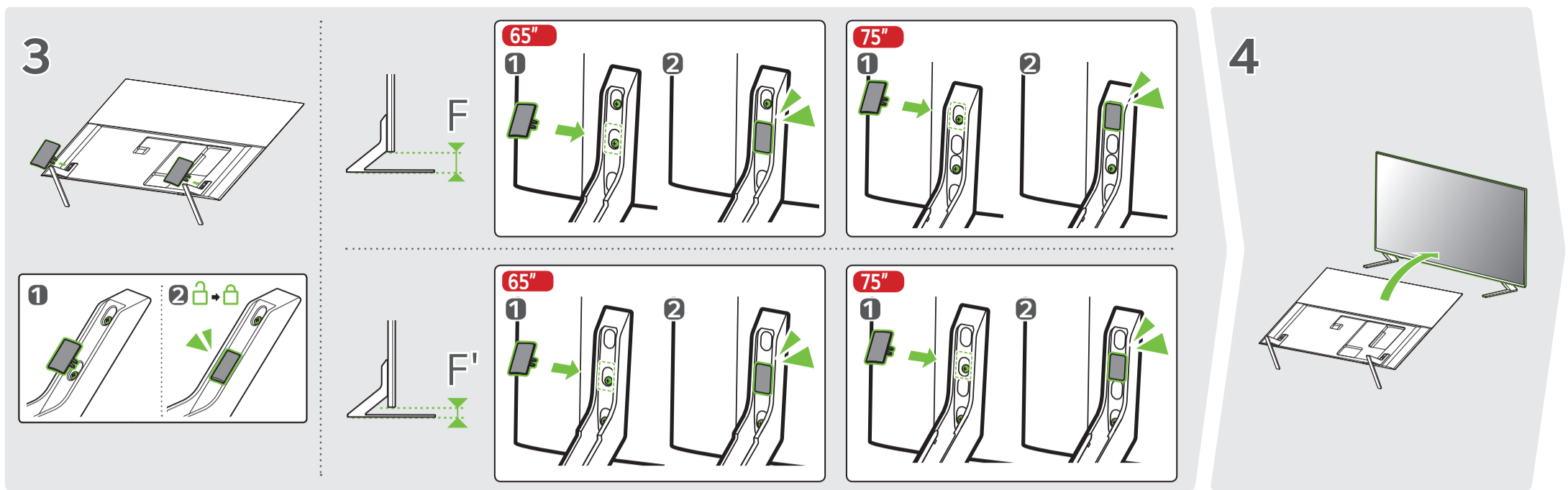


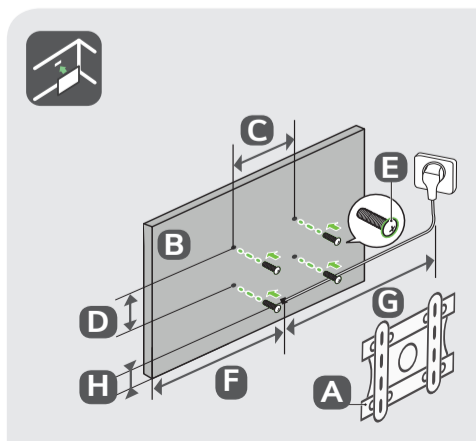


65QNE84A*
75QNE84A*

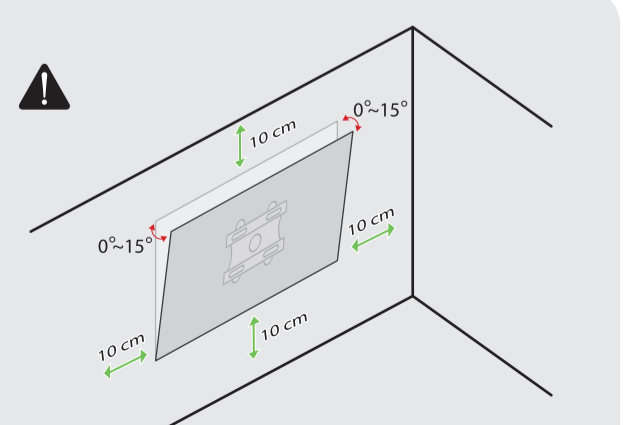




	A	B/B'	C	D	E	F/F'	G	G-H
	(mm)						(kg)	
65QNED84A*	1456	929/868	280	841	49.9	88/27	23.6	22.8
75QNED84A*	1677	1057/1021	370	966	51.6	91/55	33.4	31.4



A	B	C x D (mm)	E	F (mm)	G (m)	H (mm)
OLW480B MSW240	65QNED84A*	300 x 200	M6	851	≥ 1.5	249
	75QNED84A*			962		253



* : 0~9, A~Z