



# SIMPLE MANUAL

## High Power Speaker System

Please read this manual carefully before operating your set and retain it for future reference.  
To view the instructions of advanced features, visit <http://www.lg.com> and then download Owner's Manual. Some of the content in this manual may differ from your unit.

MODEL  
FJ1

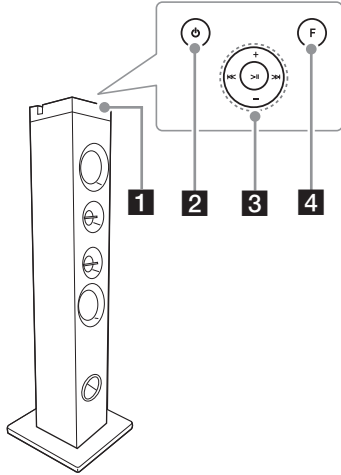




ENGLISH	ČESKY	SLOVENČINA
DEUTSCH	SLOVENČINA	SHQIP
FRANÇAIS	POLSKI	BOSANSKI
NEDERLANDS	ROMÂNĂ	SVENSKA
ITALIANO	LATVIEŠU	DANSK
ESPAÑOL	HRVATSKI	NORSK
ΕΛΛΗΝΙΚΑ	SRPSKI	SUOMI
PORTUGUÊS	БЪЛГАРСКИ	МАКЕДОНСКИ
MAĞYAR		


www.lg.com  
Copyright © 2017 LG Electronics Inc. All Rights Reserved.



## Top / Front Panel



- 1** Display window
- 2**  (Standby)  
Turns the power on or off.
- 3**  (Skip/Search)
  - Skips backward or forward.
  - Searches for a section within a file.
  - Selects the radio stations.

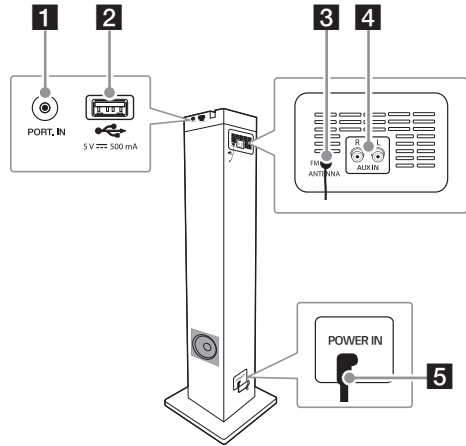
 (Play/Pause)

  - Starts or pauses playback.
  - Selects stereo/mono.

**+/-**

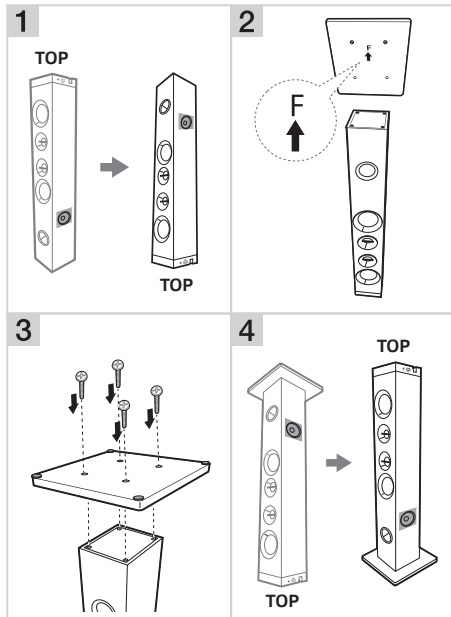
Adjusts speaker volume.
- 4** **F** (Function)  
Selects the function and input source.

## Side / Rear Panel



- 1** **PORT.** (Portable) **IN** jack
- 2** **USB Port**  
You can play sound files by connecting the USB device.
- 3** **FM ANTENNA**
- 4** **AUX IN (L/R)**  
Connect an auxiliary device.
- 5** **POWER IN**

## Speaker Assembling



**!** Please be careful not to damage the top of unit when place the speaker upside down.

## Additional Information

### Specifications

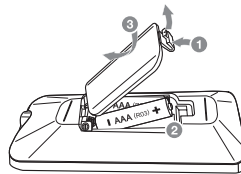
Power Requirements	Refer to the main label on the unit.
Power Consumption	Refer to the main label on the unit. Networked standby : 0.5 W (If all network ports are activated.)
Dimensions (W x H x D)	Approx. 136 mm x 962 mm x 164 mm (266 mm x 962 mm x 294 mm with stand)
Bus Power Supply (USB)	5 V  500 mA
Amplifier (Total RMS output power)	100 W RMS

Design and specifications are subject to change without notice.

## How to disconnect the wireless network connection or the wireless device

Turn off the unit by pressing the power button for more than 5 seconds.

## Replacement of battery



## Declaration of Conformity



Hereby, LG Electronics declares that the radio equipment type High Power Speaker System is in compliance with Directive 2014/53/EU. The full text of the EU declaration of conformity is available at the following internet address:

<http://www.lg.com/global/support/cedoc/cedoc#>

For consideration of the user, this device should be installed and operated with a minimum distance of 20 cm between the device and the body.

Frequency range	Output power (Max.)
2402 to 2480 MHz	10 dBm

