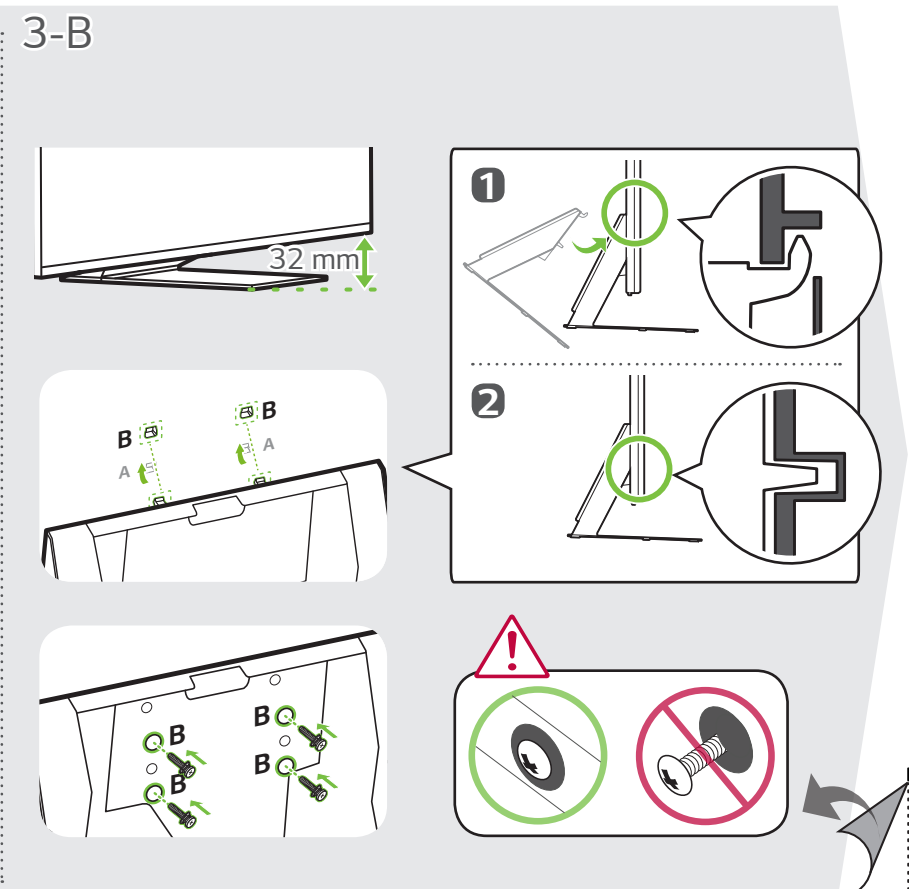
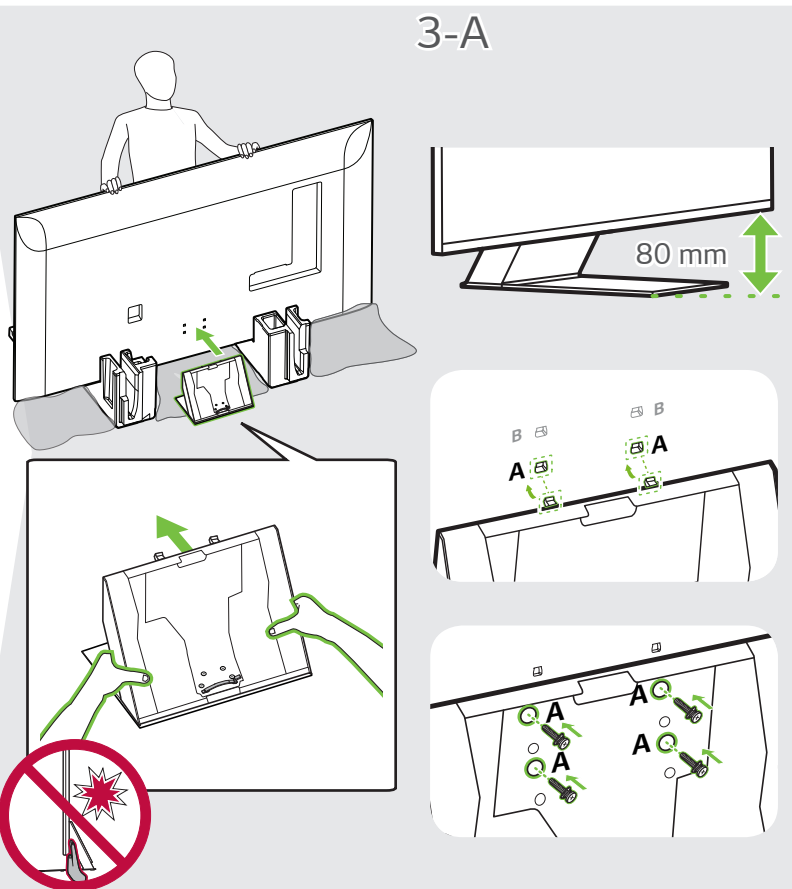
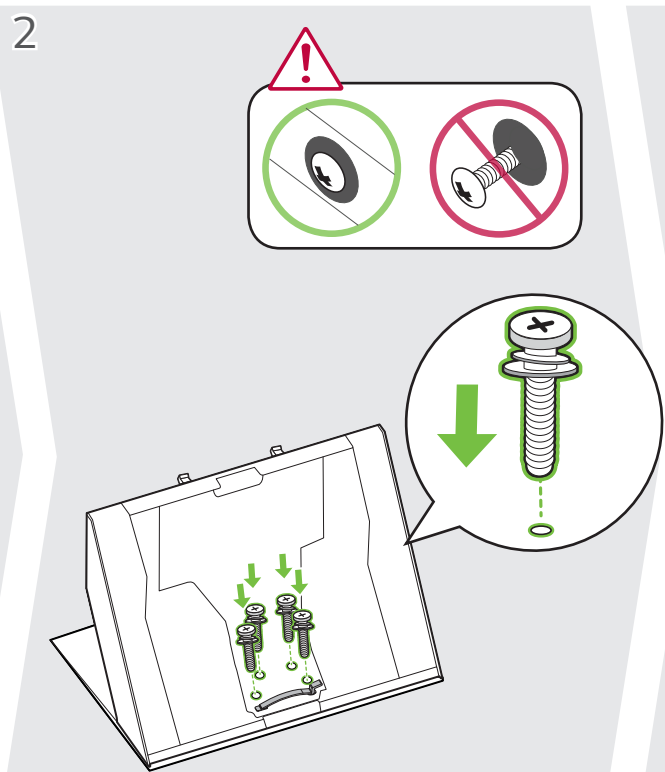
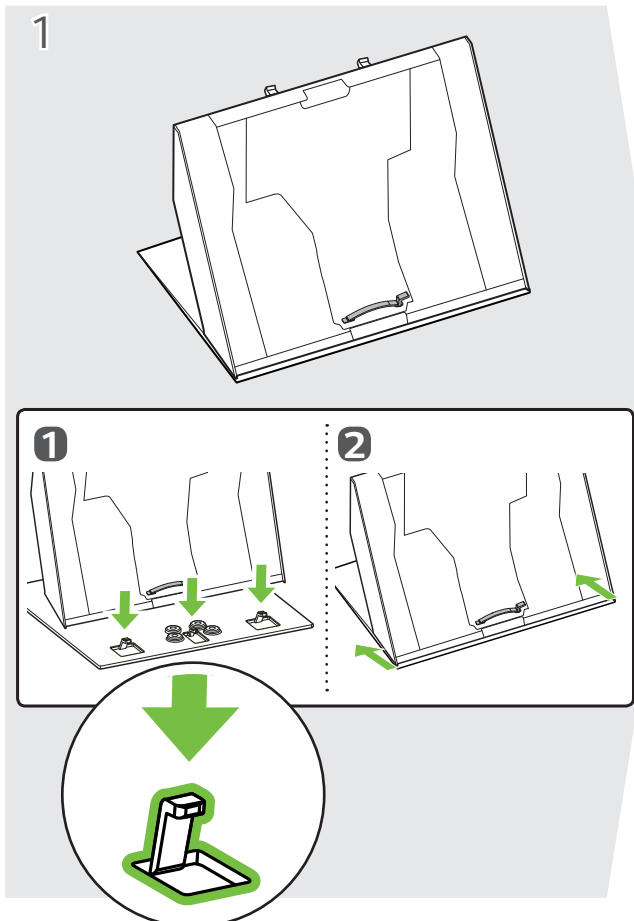
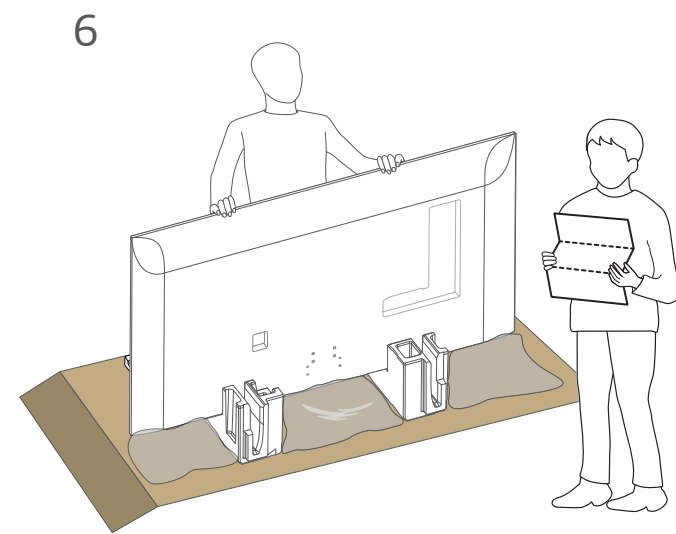
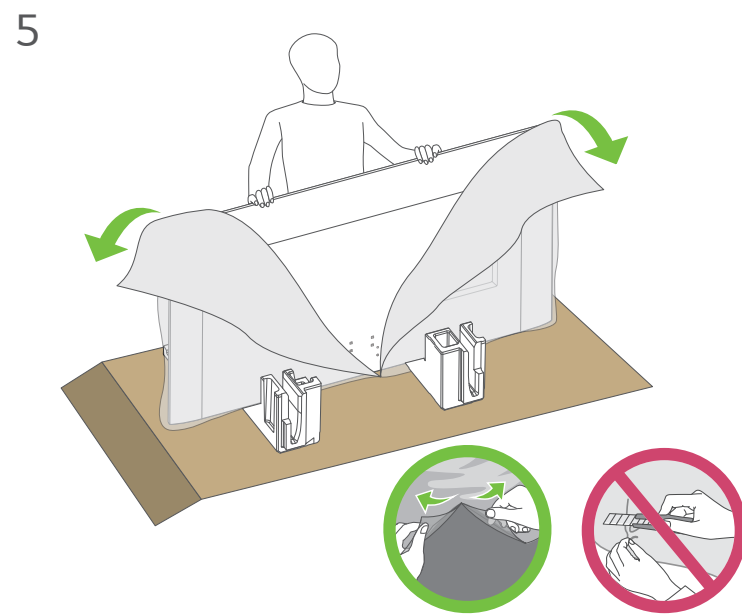
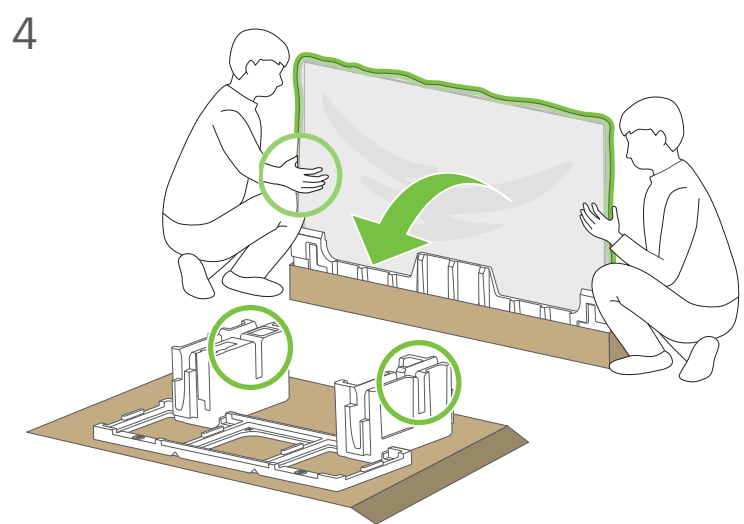
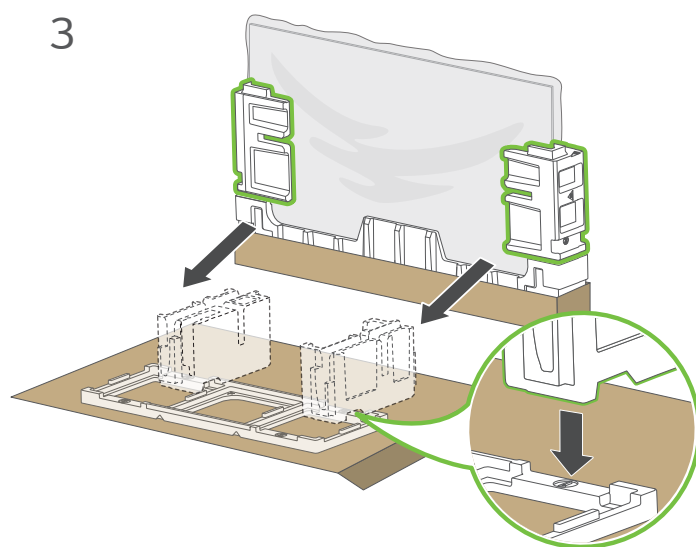
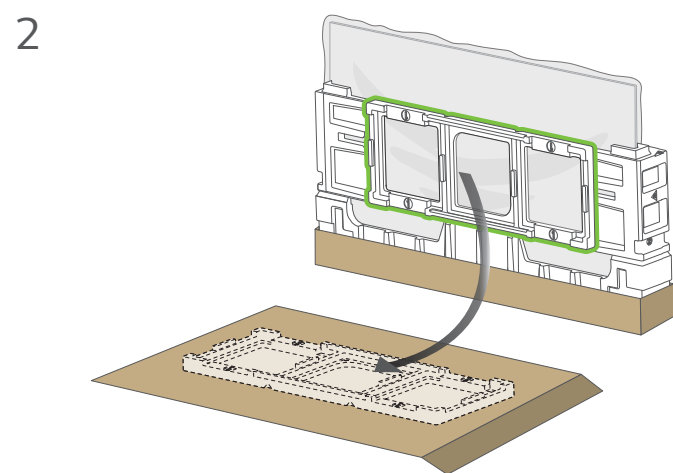
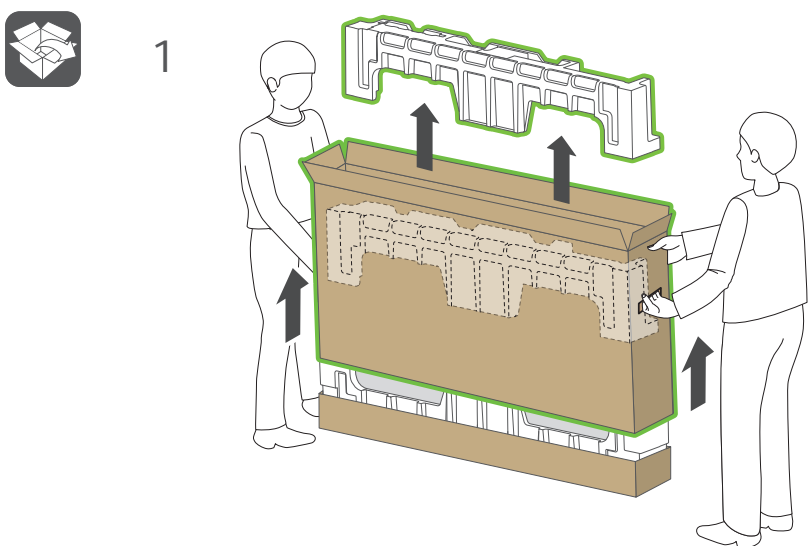
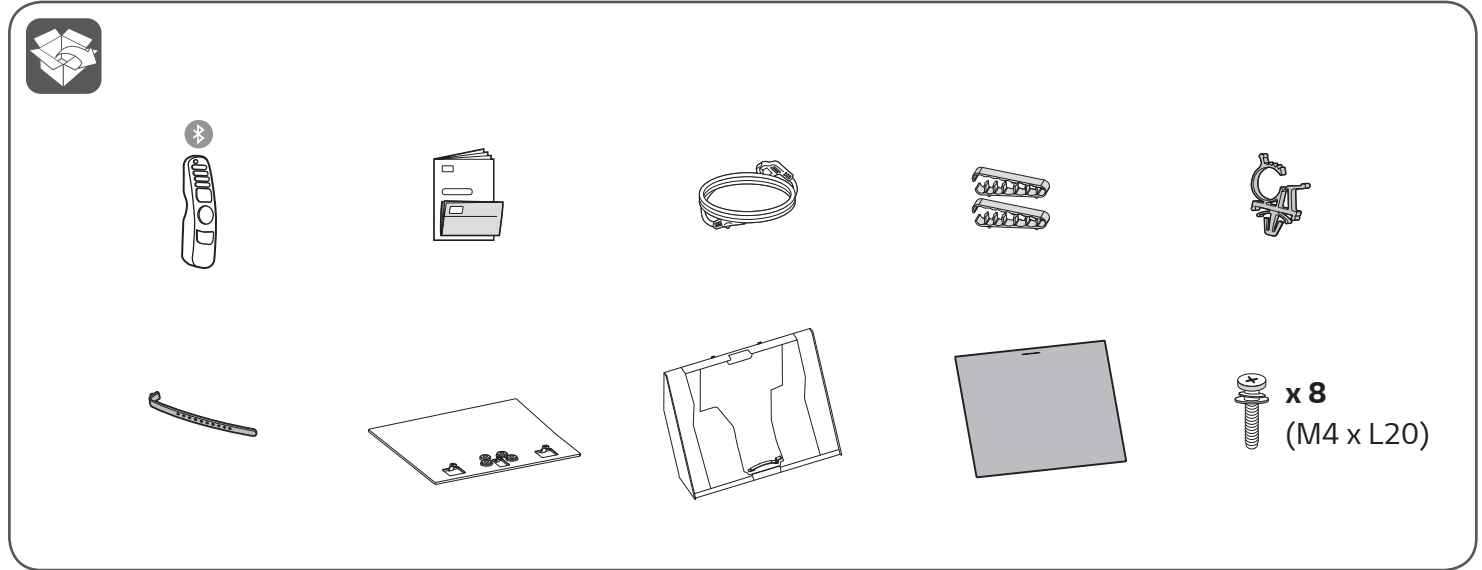
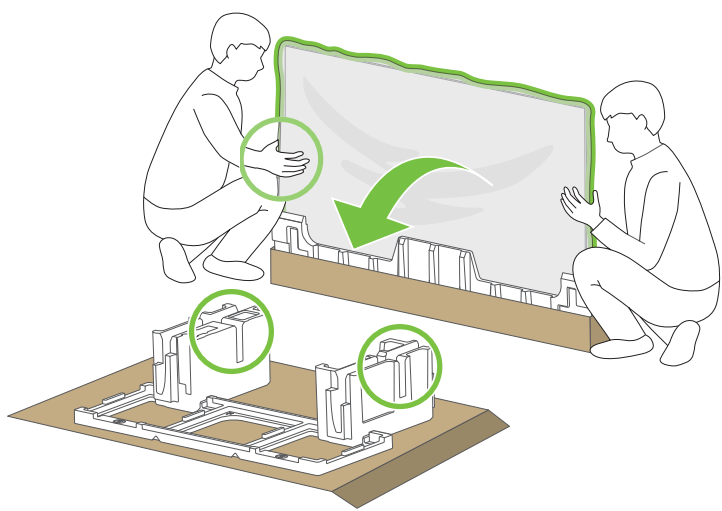
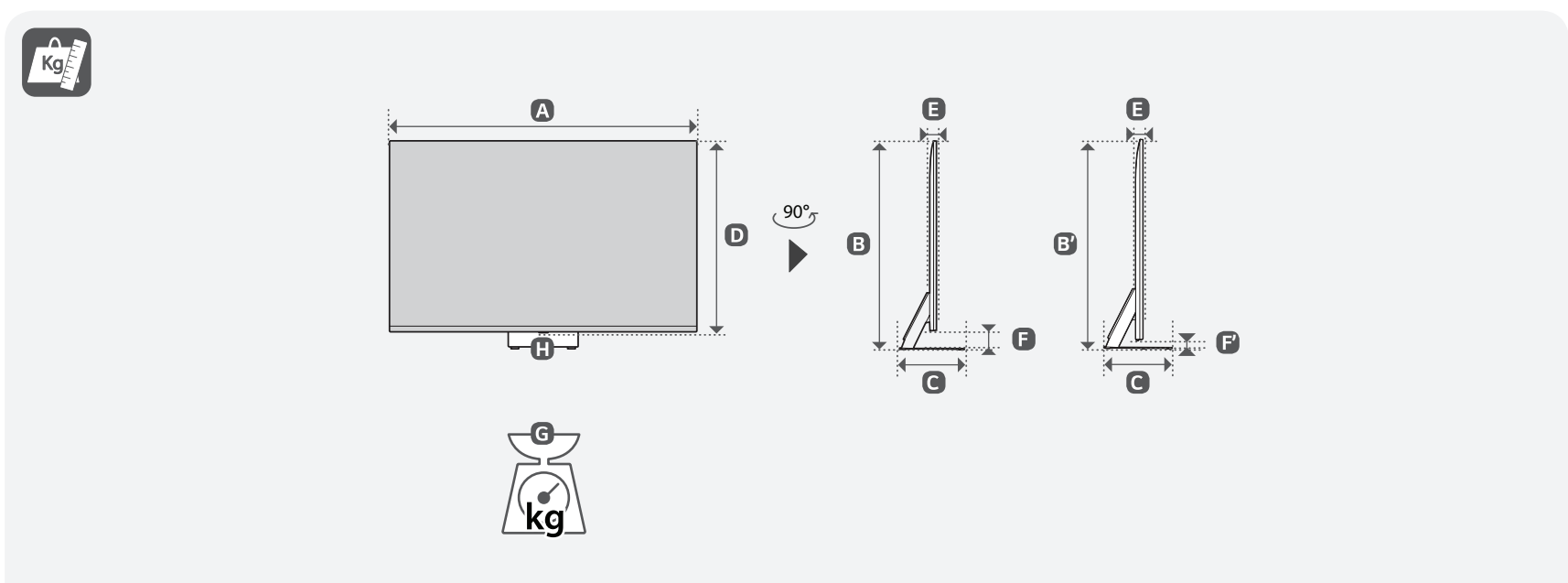
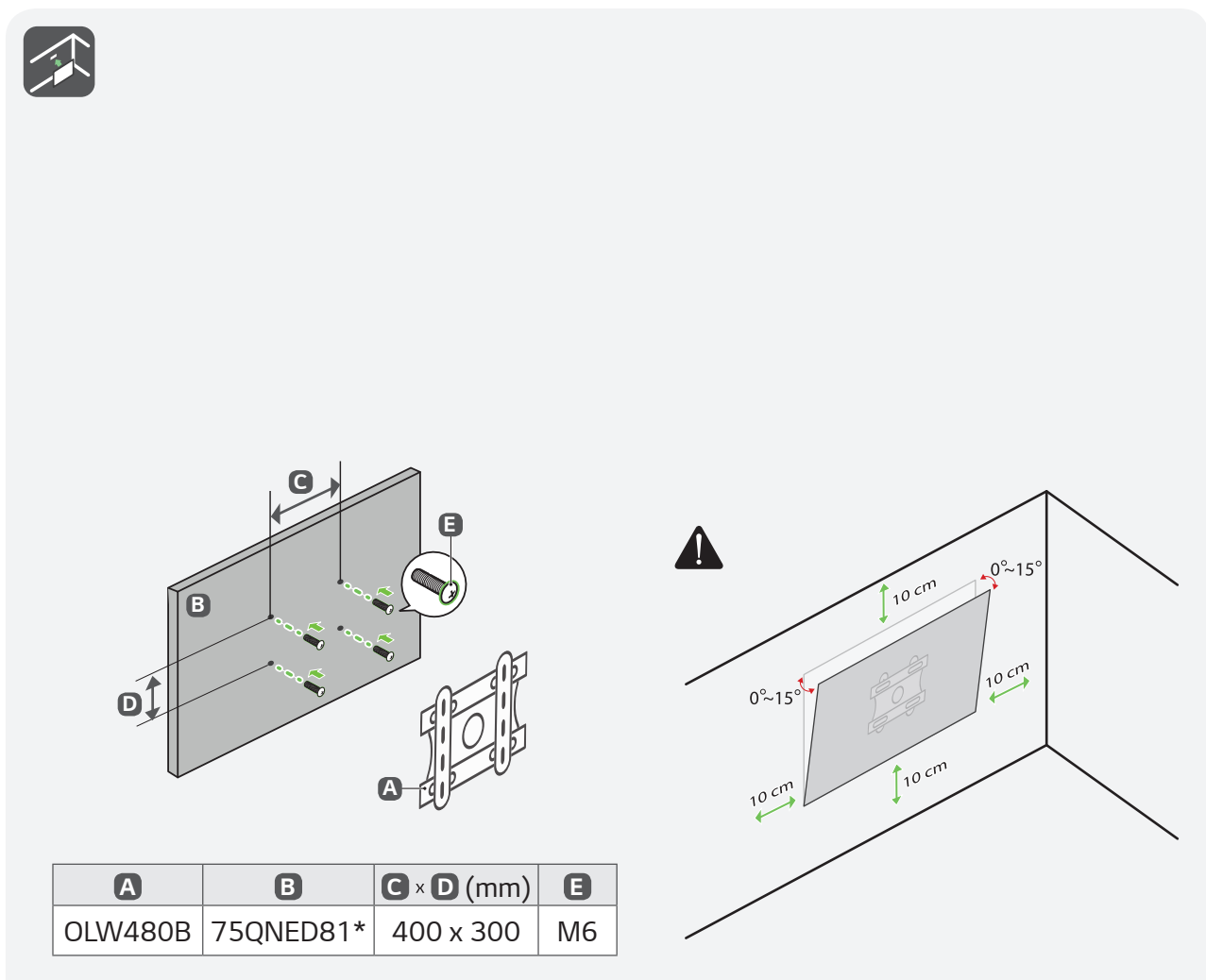
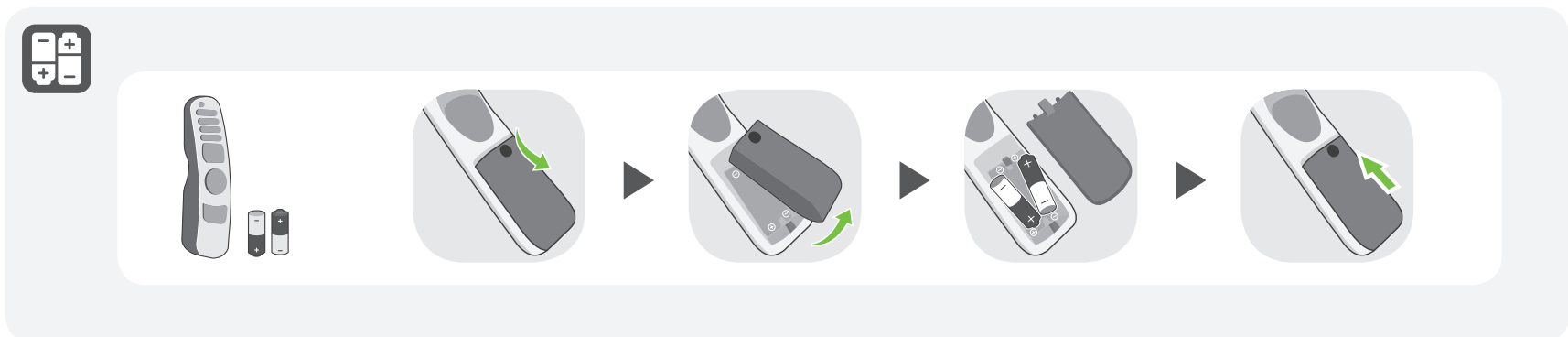
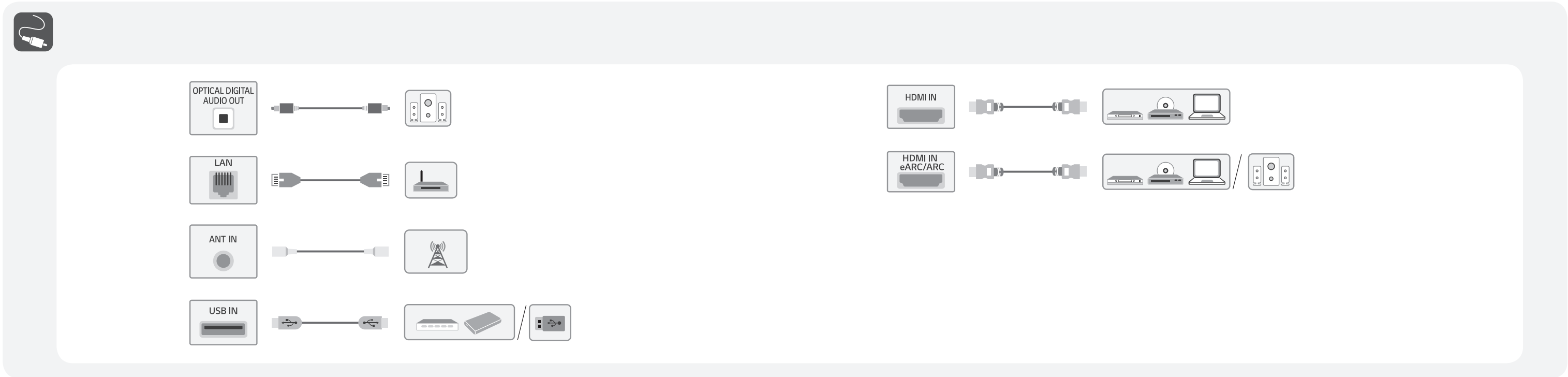
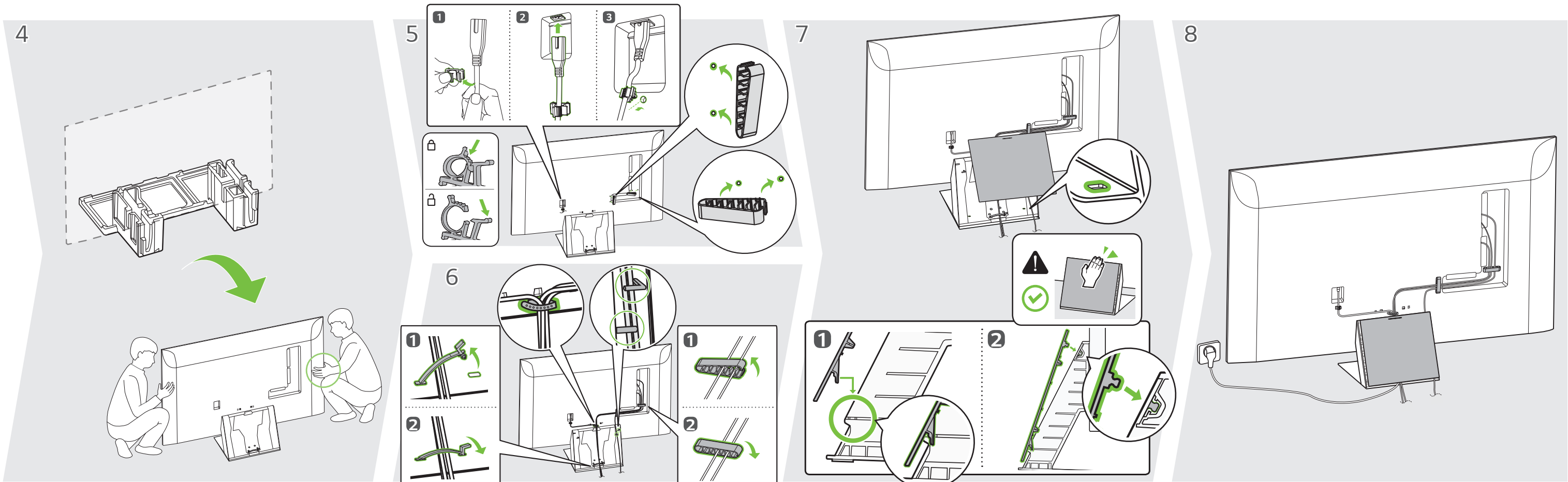


QNED81*





	A	B/B'	C	D	E	F/F'	G	G-H
	(mm)						(kg)	
75QNED816RA	1677	1042/994	370	965	30.9	77/29	41.5	33.3
75QNED81SRA								
75QNED813RE								
75QNED816RE								