

# OWNER'S MANUAL IR Bullet Camera

Please read this manual carefully before operating your set and retain it for future reference.

## MODEL

LCU5300R-BN  
LCU5300R-BP  
LCU5300R Series



## Power Supply

This camera must always be operated DC 12 V or AC 24 V. Certified/Listed Adaptor which comply with LPS.

## Handling of the unit

Be careful not to spill water or other liquids on the unit. Be cautious not to get combustible or metallic material inside the body. If used with foreign matter inside, the camera is liable to fail or to get cause of fire or electric shock.

- Remove dust or dirt on the surface of the lens with a blower.
- Use a dry soft cloth to clean the body. If it is very dirty, use a cloth dampened with a small quantity of neutral detergent then wipe dry.
- Avoid the use of volatile solvents such as thinners, alcohol, benzene and insecticides. They may damage the surface finish and/or impair the operation of the camera.

## Operating and storage location

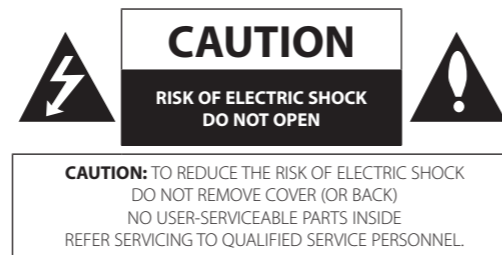
Avoid viewing a very bright object (such as light fittings) during an extended period. Avoid operating or storing the unit in the following locations.

- Extremely hot or cold places (operating temperature -10 °C to 50 °C, however, we recommend that the unit be used within a temperature range of 0 °C to 45 °C)
- Damp or dust place
- Places exposed to rain
- Places subject to strong vibration
- Close to generators of powerful electromagnetic radiation such as radio or TV transmitters.

## NOTE:

Please make sure the product is installed appropriate places where secured from flood, such as under the eaves, to operate properly. This product is certified as IP66 standard. However, if there is any flood concerns, it is highly recommended to use an outdoor Housing. When you install the camera inside an outdoor Housing, please use one of the following methods:

- Remove the front glass of Housing before installing the camera.
- To keep the front glass of Housing, remove the front cover, and then put the camera close to the front glass.



This lightning flash with arrowhead symbol within an equilateral triangle is intended to alert the user to the presence of uninsulated dangerous voltage within the product's enclosure that may be of sufficient magnitude to constitute a risk of electric shock to persons.



The exclamation point within an equilateral triangle is intended to alert the user to the presence of important operating and maintenance (servicing) instructions in the literature accompanying the product.

**FCC WARNING:** This equipment may generate or use radio frequency energy. Changes or modifications to this equipment may cause harmful interference unless the modifications are expressly approved in the instruction manual. The user could lose the authority to operate this equipment if an unauthorized change or modification is made.

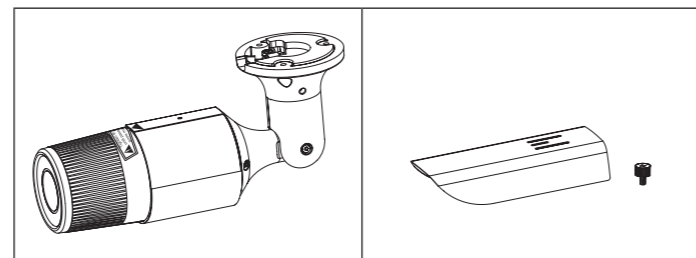
## REGULATORY INFORMATION: FCC Part 15

This equipment has been tested and found to comply with the limits for a Class A digital device, pursuant to Part 15 of the FCC Rules. These limits are designed to provide reasonable protection against harmful interference when the equipment is operated in a commercial environment. This equipment generates, uses, and can radiate radio frequency energy and, if not installed and used in accordance with the instruction manual, may cause harmful interference to radio communications.

Operation of this equipment in a residential area is likely to cause harmful interference in which case the user will be required to correct the interference at his own expense.

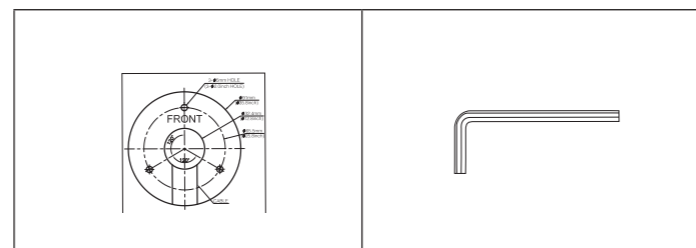
- A suitable conduit entries, knock-outs or glands shall be provided in the cable entries of this product in the end user.
- Caution: Danger of explosion if battery is incorrectly replaced. Replaced only with the same or equivalent type recommended by the manufacturer. Dispose of used batteries according to the manufacturer's instructions.
- Holes in metal, through which insulated wires pass, shall have smooth well rounded surfaces or shall be provided with brushings.

## Contents



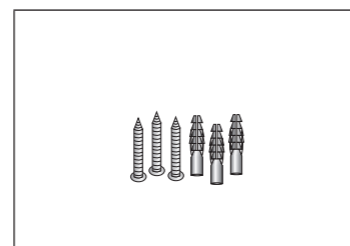
IR Bullet camera

Sunshield and Fixing screw



Installation sticker

Wrench



M3 Tapping Screws

## Warning

- Do not install this equipment in a confined space such as a bookcase or similar unit.
- Wiring methods shall be in accordance with the National Electric Code, ANSI/NFPA 70.
- This is a class A product. In a domestic environment this product may cause radio interference in which case the user may be required to take adequate measures.
- To reduce a risk of fire or electric shock, do not expose this product to rain or moisture.

## Caution

- This installation should be made by a qualified service person and should conform to all local codes.
- To avoid electrical shock, do not open the cabinet. Refer servicing to qualified personnel only.
- The apparatus shall not be exposed to water (dripping or splashing) and no objects filled with liquids, such as vases, shall be placed on the apparatus.



LG Electronics hereby declares that this/these product(s) is/are in compliance with the essential requirements and other relevant provisions of Directive 2004/108/EC and 2011/65/EU.

## Contact office for compliance of this product:

LG Electronics Inc.  
EU Representative, Krijgsman 1, 1186 DM Amstelveen, The Netherlands

- Please note that this is NOT a Customer Service contact point. For Customer Service Information, see Warranty Card or contact the dealer that you purchased this product.

## Disposal of your old appliance



- This crossed-out wheeled bin symbol indicates that waste electrical and electronic products (WEEE) should be disposed of separately from the municipal waste stream.
- Old electrical products can contain hazardous substances so correct disposal of your old appliance will help prevent potential negative consequences for the environment and human health. Your old appliance may contain reusable parts that could be used to repair other products, and other valuable materials that can be recycled to conserve limited resources.
- You can take your appliance either to the shop where you purchased the product, or contact your local government waste office for details of your nearest authorised WEEE collection point. For the most up to date information for your country please see [www.lg.com/global/recycling](http://www.lg.com/global/recycling)

## Important Safety Instructions

- Read these instructions.
- Keep these instructions.
- Heed all warnings.
- Follow all instructions.
- Do not use this apparatus near water.

## Specification

Item	LCU5300R-BN	LCU5300R-BP
Signal System	NTSC	PAL
Image Sensor	6 mm (1/3 Type) CCD	
Lens	Vari-focal lens (f=2.8 mm to 11 mm /F1.2)	
Horizontal Resolution	Color	650 TV Lines
	B/W	700 TV Lines
S/N Ratio	50 dB	
Day & Night	AUTO / DAY / NIGHT	
Sens-up	OFF / AUTO(x2, ... x512)	
Minimum Illumination (30 IRE)	Color	0.03 lx @ Sens-up OFF, F1.2
	B / W	0 lx @ IR LED ON
Digital Zoom	X16	
Sync. System	Internal / Line Lock	
Video Output	1 Vp-p Composite (75 Ω)	
Electronic Shutter	1/60 to 1/120 000	1/50 to 1/120 000
Motion Detection	ON / OFF	
IR LED	IR LED 32 EA, 50 M Distance, SmartIR	
Communication	RS-485, Coaxial Communication	
RS-485	LG, Pelco-D, Pelco-P	
Backlight Compensation	BLC / HSBC / OFF	

6. Clean only with dry cloth.
7. Do not block any ventilation openings. Install in accordance with the manufacturer's instructions.
8. Do not install near any heat sources such as radiators, heat registers, stoves, or other apparatus (including amplifiers) that produce heat.
9. Do not defeat the safety purpose of the polarized or grounding-type plug. A polarized plug has two blades with one wider than the other. A grounding type plug has two blades and a third grounding prong. The wide blade or the third prong are provided for your safety. If the provided plug does not fit into your outlet, consult an electrician for replacement of the obsolete outlet.
10. Protect the power cord from being walked on or pinched particularly at plugs, convenience receptacles, and the point where they exit from the apparatus.
11. Only use attachments/accessories specified by the manufacturer.
12. Use only with the cart, stand, tripod, bracket, or table specified by the manufacturer, or sold with the apparatus. When a cart is used, use caution when moving the cart/apparatus combination to avoid injury from tip-over.



13. Unplug this apparatus during lightning storms or when unused for long periods of time.
14. Refer all servicing to qualified service personnel. Servicing is required when the apparatus has been damaged in any way, such as power-supply cord or plug is damaged, liquid has been spilled or objects have fallen into the apparatus, the apparatus has been exposed to rain or moisture, does not operate normally, or has been dropped.

	Символ «не для пищевой продукции» применяется в соответствие с техническим регламентом Таможенного союза «О безопасности упаковки» 005/2011 и указывает на то, что упаковка данного продукта не предназначена для повторного использования и подлежит утилизации. Упаковку данного продукта запрещается использовать для хранения пищевой продукции.	Символ Кедендік одақтың 005/2011 техникалық регламентіне сәйкес қолданылады және осы өнімнің қаптамасын екінші рет пайдалануға арналмағанын және жоюға жататынын көрсетеді. Осы өнімнің қаптамасын азық-түлік өнімдерін сақтау үшін пайдалануға тыйым салынады.
	Символ «петля Мебиуса» указывает на возможность утилизации упаковки. Символ может быть дополнен обозначением материала упаковки в виде цифрового и/или буквенного обозначения.	Символ қаптаманы жою мүмкіндігін көрсетеді. Символ сандық код және/немесе әріп белгілері түріндегі қаптама материалының белгісімен толықтырылуы мүмкін.

Item	LCU5300R-BN	LCU5300R-BP
Privacy Masking	OFF / ON (Rectangle, Polygon, Circle)	
3D-DNR	0 to 100	
Protection	IP66	
Power Source	DC 12 V / AC 24 V	
Power Consumption	DC 12 V	490 mA
	AC 24 V	390 mA
Operating Temperature/ Humidity	-10 °C to 50 °C / 0 % RH to 80 % RH	
Storage Temperature/ Humidity	-20 °C to 60 °C / 0 % RH to 90 % RH	
Dimension (W x H x D)	84 mm x 83.5 mm x 320 mm	
Weight	1.3 kg	

## Российская Федерация

Импортер ООО "ЛГ Электроникс Рус"

Адрес импортера: 143160 Российская Федерация, Московская область, Рузский район, сельское поселение Дороховское, 86 км. Минского шоссе, д.9

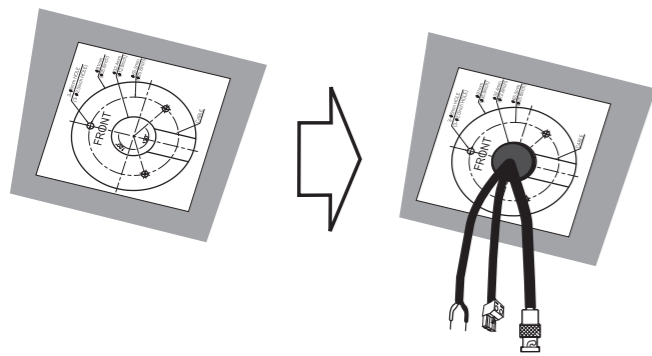
Адрес производителя: ЛГ ЭЛЕКТРОНИКС (ХУЖОУ) ИНК., ЗАВОД ХАТАИ

ЛГ Электроникс (Хужоу) Инк., завод Хатаи  
516006, Китай, пров. Гуандонг, г. Хужоу, Промышленная зона  
Жонгкай, Индустриальный парк Хутаи, ХуФенг Донг Уи Роуд, 13.

Сделано в Китае

## Installation

1. Using a template as a guide, make a hole through the ceiling.



<ITALIANO> Utilizzando il modello come guida, praticare un foro attraverso il soffitto.

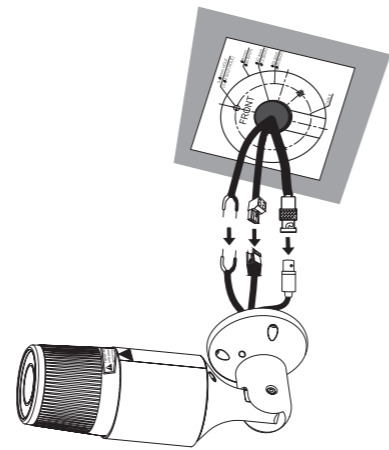
<ESPAÑOL> Usando la plantilla como guía, haga un agujero en el techo.

<PORTUGUÊS> Usando o molde como um guia, faça um furo no teto.

<РУССКИЙ> Используя шаблон как вспомогательный элемент, сделать отверстие в потолке.

<TÜRKÇE> Verilen şablonu kılavuz olarak kullanarak, tavanda bir delik açın.

2. Connect the cables to the cable jacks of the camera body.



<ITALIANO> Collegare i cavi alle prese sul corpo della videocamera.

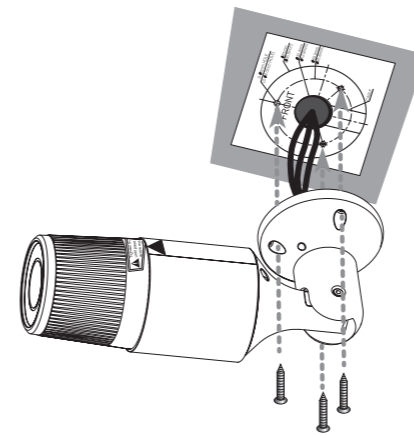
<ESPAÑOL> Conecte los cables en los terminales del cuerpo de la cámara.

<PORTUGUÊS> Conecte os cabos na tomada de cabos do corpo da câmara.

<РУССКИЙ> Подключить кабели к разъемам на корпусе камеры.

<TÜRKÇE> Kamera kablolarını kamera üzerinde bulunan soketlere yerleştirin.

3. Install the camera by using M3 Tapping screws to fix it on the ceiling



<ITALIANO> Installare la telecamera usando le viti di fissaggio M3 per fissarla sul soffitto.

<ESPAÑOL> Instale la cámara con los tornillos M3 para fijarla en el techo.

<PORTUGUÊS> Instale a câmara usando os parafusos M3 para a fixar no tecto.

<РУССКИЙ> Установите камеру с помощью М3 саморезы зафиксировать его на потолка.

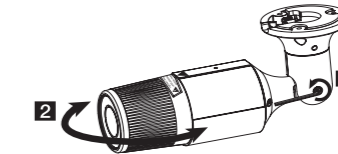
<TÜRKÇE> Kamerayı tavana M3 kılavuz vida kullanarak monte edin.

## Appendix

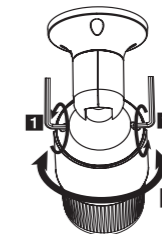
### Adjust the camera position

You should adjust the camera angle position as shown below illustration. Adjust the camera angle position by following step **1** and **2**.

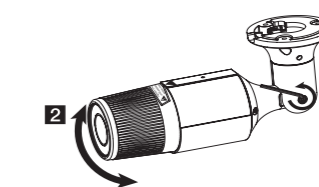
1. Adjust the Pan.



2. Adjust the Angle.

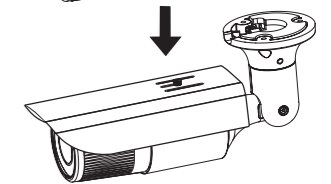
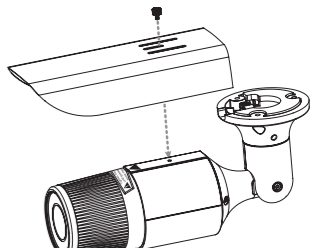


3. Adjust the Tilt.

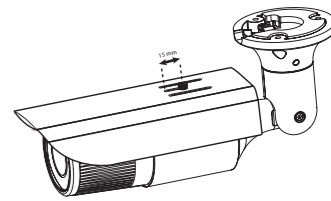


### Assemble the Sunshield

Adjust the position of the Sunshield, then assemble the Sunshield.

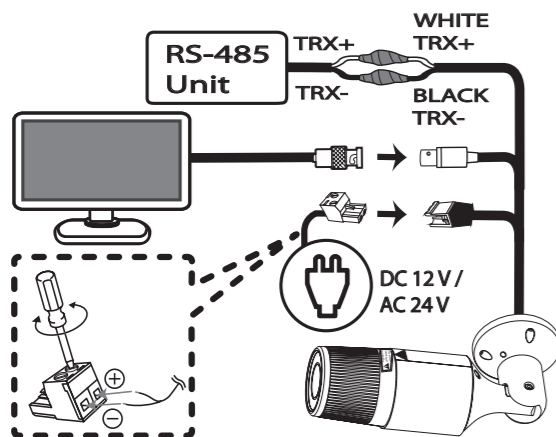


**NOTE:**  
You can adjust the sunshield position maximum 15 mm.



## Connection

1. Connect the external device.



<ITALIANO> Collegare il dispositivo esterno.

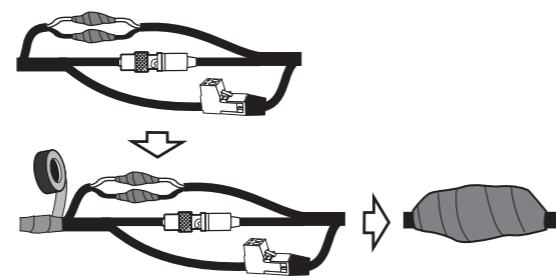
<ESPAÑOL> Conecte el aparato externo.

<PORTUGUÊS> Ligue o dispositivo externo.

<РУССКИЙ> Подключение внешнего устройства.

<TÜRKÇE> Harici aygıtı bağlayın.

2. Connect and bind the cables together with butyl tape.



#### Warning:

- The cables are not waterproofed completely. So seal the tube ends and the portions between cable cores as well as connecting portions with Butyl tape.
- If not using the Butyl tape, it may cause water absorption from a gap and finally condensation and water leakage.

<ITALIANO> Collegare e schermare i cavi riuniti con nastro di butile.

<ESPAÑOL> Conecte y ate los cables juntos con cinta adhesiva Butyl.

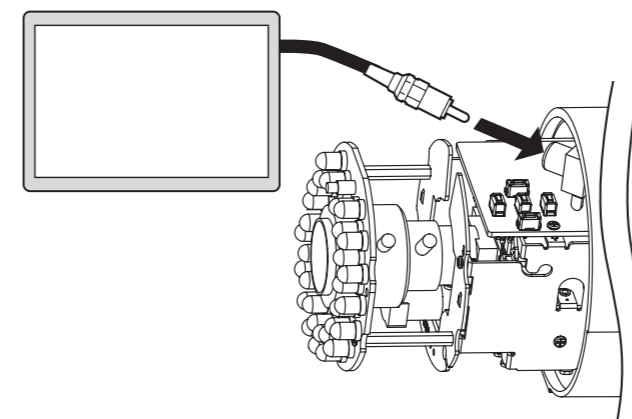
<PORTUGUÊS> Ligue e junte os cabos com fita Butyl.

<РУССКИЙ> Соедините и обвяжите кабели с помощью самоклеящейся ленты.

<TÜRKÇE> Kabloları Butil teyple birleştirin ve bağlayın.

## Adjust the focus

1. Connect a portable monitor to the video jack.



<ITALIANO> Collegare un monitor portatile alla presa video.

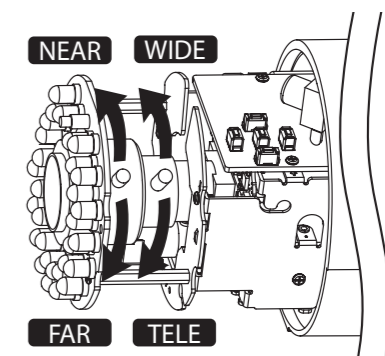
<ESPAÑOL> Conecte un monitor portátil a la conexión de vídeo.

<PORTUGUÊS> Conecte o monitor portátil na tomada de vídeo.

<РУССКИЙ> Подключить переносной монитор к разъему видео.

<TÜRKÇE> Video soketine taşınabilir bir monitör bağlayın.

2. Set the zoom and focus.



<ITALIANO> Regolare lo zoom e la messa a fuoco.

<ESPAÑOL> Ajuste el zoom y el enfoque.

<PORTUGUÊS> Ajuste o zoom e o foco.

<РУССКИЙ> Регулировать зум и фокус.

<TÜRKÇE> Yakınlaştırma/Uzaklaştırma ve odaklama ayarlarını yapın.