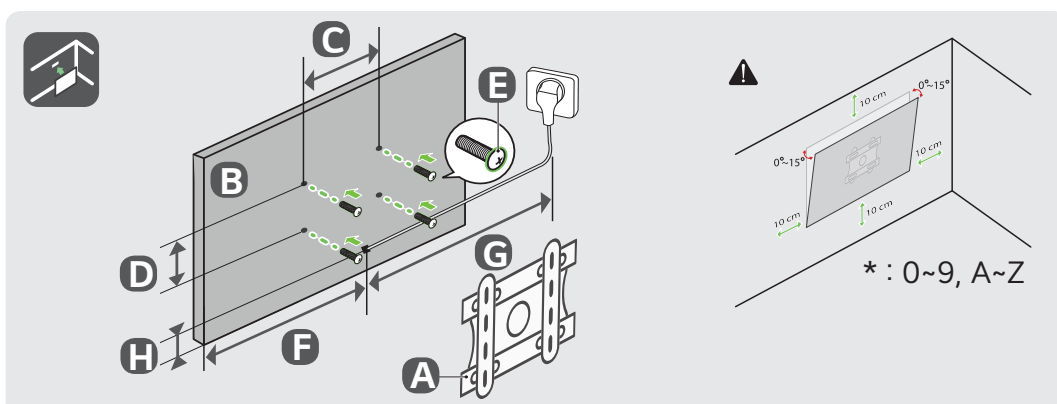


	A	B/B'	C	D	E	F/F'	G	G-H
	(mm)						(kg)	
43QNED86B* 43QNED87B*	968	637 / -	260	565	29.7	72 / -	13.1	9.3
50QNED86B* 50QNED87B*	1123	721 / -	260	652	29.7	69 / -	16.4	12.6
55QNED86B* 55QNED87B*	1236	786 / 746	260	716	29.7	70 / 30	18.9	15.1
65QNED86B* 65QNED87B*	1456	909 / 869	285	840	29.7	69 / 29	25.3	21.5
75QNED86B* 75QNED87B*	1677	1042 / 994	370	965	30.9	77 / 29	41.0	32.8
86QNED86B* 86QNED87B*	1928	1190 / 1142	370	1108	30.9	82 / 34	57.7	49.5



	A	B	C x D (mm)	E	F (mm)	G (m)	H (mm)
LSW240B MSW240	43QNED86B* 43QNED87B* 50QNED86B* 50QNED87B*	200 x 200	287	190			
WB24GCB MSW240	55QNED86B* 55QNED87B*	300 x 300	364	221			
WB24GCB	65QNED86B* 65QNED87B*	M6	371	277			
WB24GCB	75QNED86B* 75QNED87B*		481	295			
WB24GCB	86QNED86B* 86QNED87B*	M8	532	341			
WB24GDB			573	336			

	A	B	C (mm)	D
WB21LMB	43QNED86B* 43QNED87B* 50QNED86B* 50QNED87B*	200		M6
	55QNED86B* 55QNED87B* 65QNED86B* 65QNED87B*	300		