

⊕ : Depending on model

## Unpacking

Check your product box for the following items. If there are any missing accessories, contact the local dealer where you purchased your product. The illustrations in this manual may differ from the actual product and item.

\*Image may vary depending on models



[www.lg.com](http://www.lg.com)



English

- Read **Safety and Reference**.
- For the power supply and power consumption, refer to the label attached to the product.

## USING THE USER GUIDE



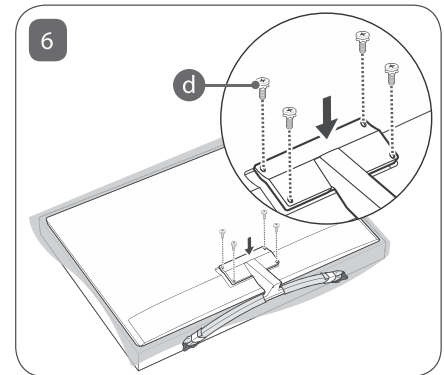
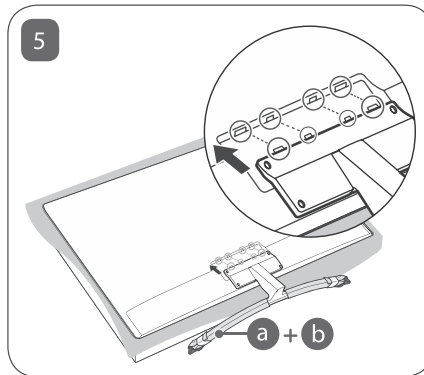
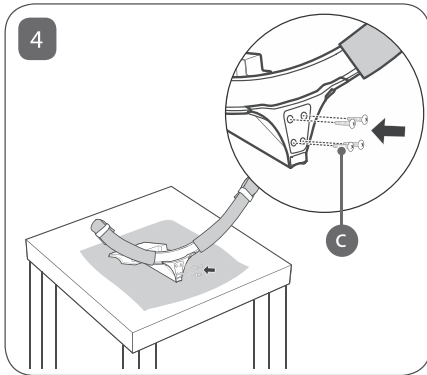
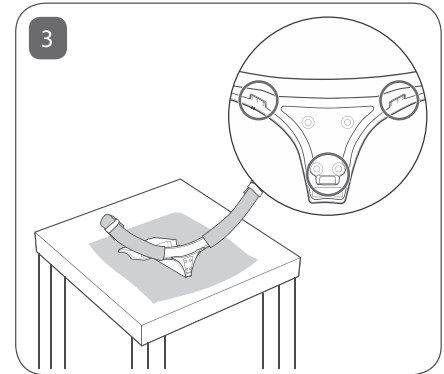
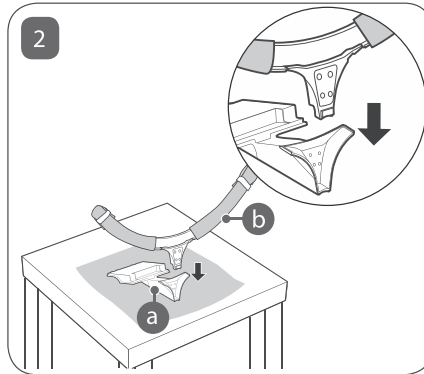
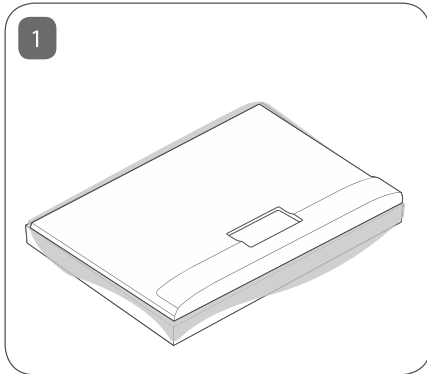
Press the (🏠) button  
To access home button.



Navigate & Select  
User Guide.



Refer User Guide for  
Detail information



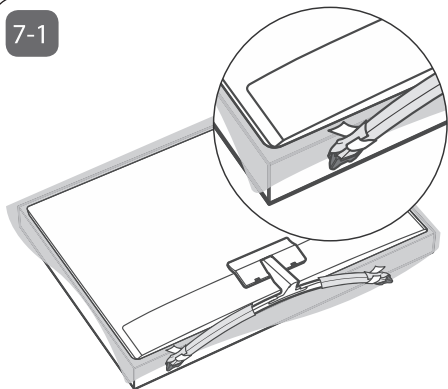
**CAUTION**

Image shown may differ from your TV.

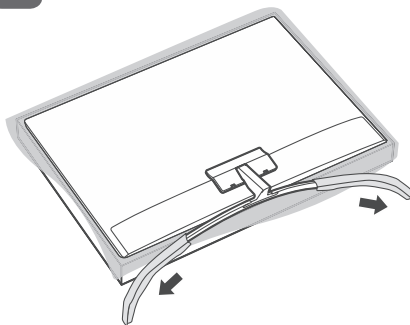
When attaching the stand to the TV set, place the screen facing down on a cushioned table or flat surface to protect the screen from scratches.



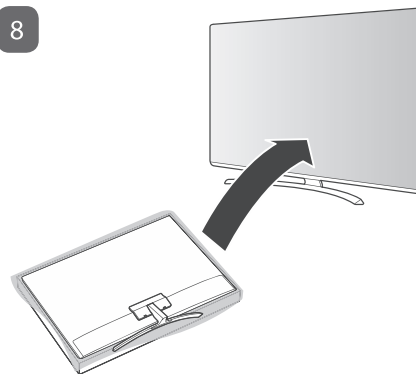
7-1



7-2



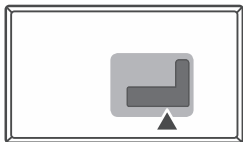
8



**CAUTION**

Image shown may differ from your TV.

When attaching the stand to the TV set, place the screen facing down on a cushioned table or flat surface to protect the screen from scratches.



ANTENNA /  
CABLE IN



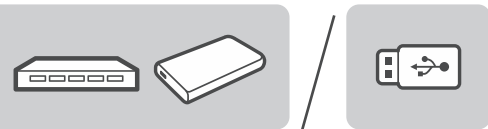
HDMI IN



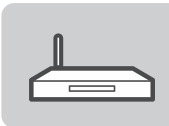
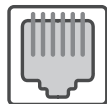
HDMI IN/ARC



USB IN

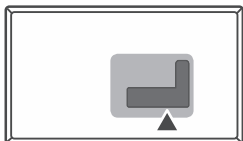


LAN



**NOTE**

Image shown may vary depending on model.  
All connection cables & devices shown in the  
picture are not included along with the TV set.



AUDIO OUT/  
H/P OUT



OPTICAL DIGITAL  
AUDIO OUT



#### ARC (Audio Return Channel)

- An external audio device that supports SIMPLINK and ARC must be connected using HDMI IN (ARC) port.
- When connected with a high-speed HDMI cable, the external audio device that supports ARC outputs SPDIF audio without additional audio cable and supports the SIMPLINK function.

#### ! NOTE

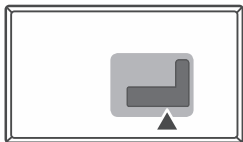
Image shown may vary depending on model.  
All connection cables & devices shown in the picture are not included along with the TV set.

#### ! NOTE

Some USB Hubs may not work. If a USB device connected using a USB Hub is not detected, connect it to the USB port on the TV directly.  
Connect the external power source if your USB is needed.

#### ! NOTE

- Do not look into the optical output port. Looking at the laser beam may damage your vision.
- Audio with ACP (Audio Copy Protection) function may block digital audio output.

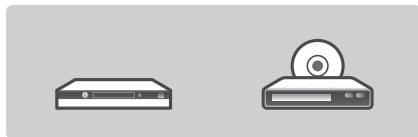
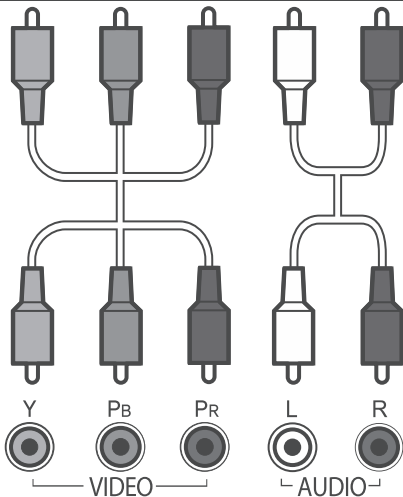
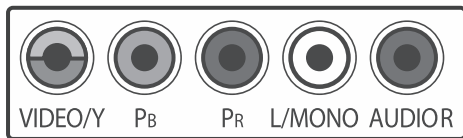


**NOTE**

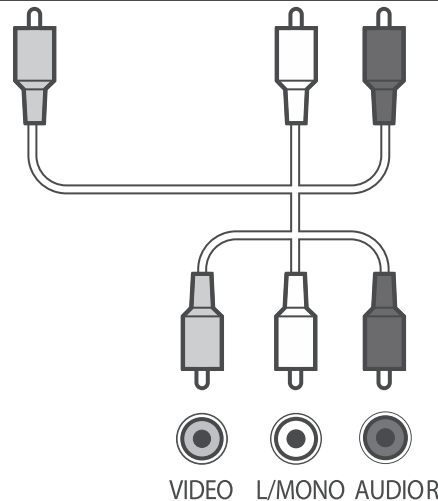
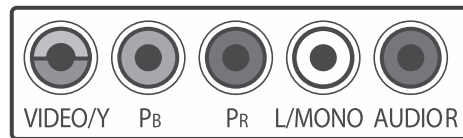
Image shown may vary depending on model.  
All connection cables & devices shown in the picture are not included along with the TV set.

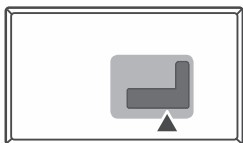
UJ75\*\*

### COMPONENT IN



### AV IN

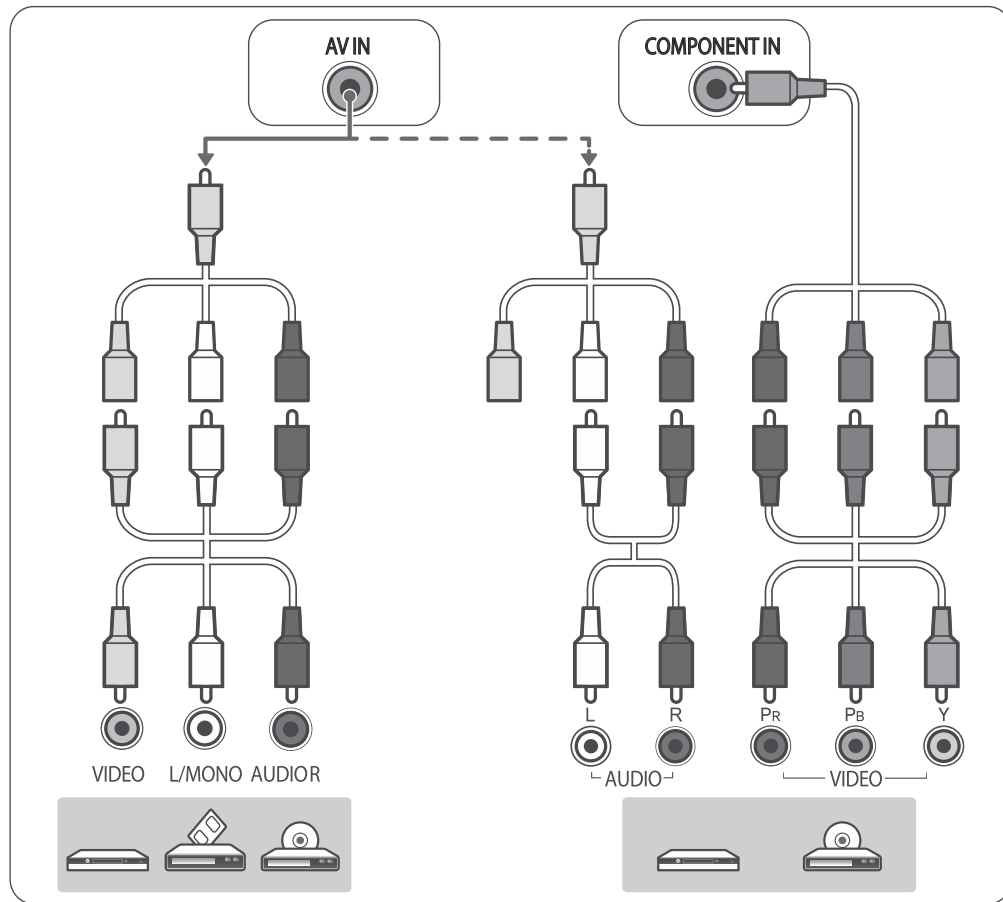


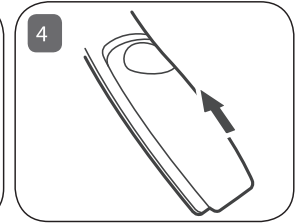
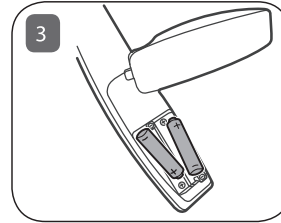
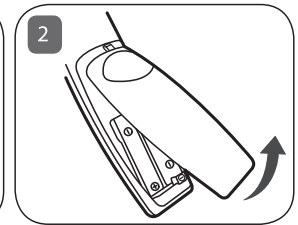
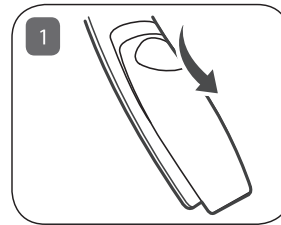
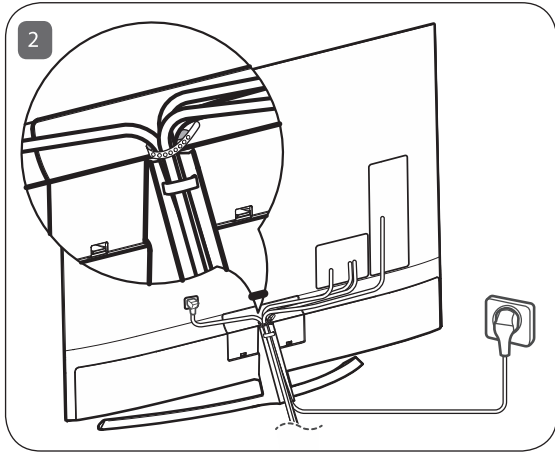
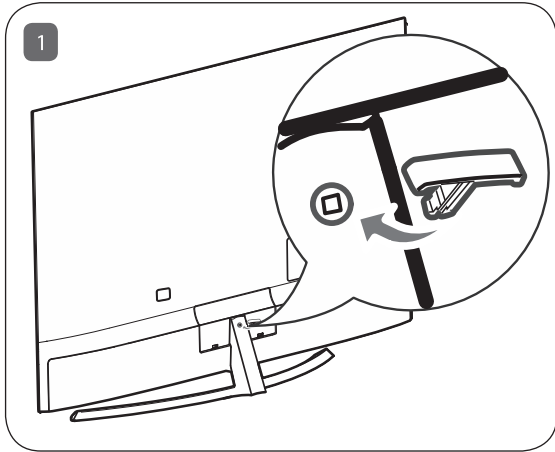


**NOTE**

Image shown may vary depending on model.  
All connection cables & devices shown in the picture are not included along with the TV set.

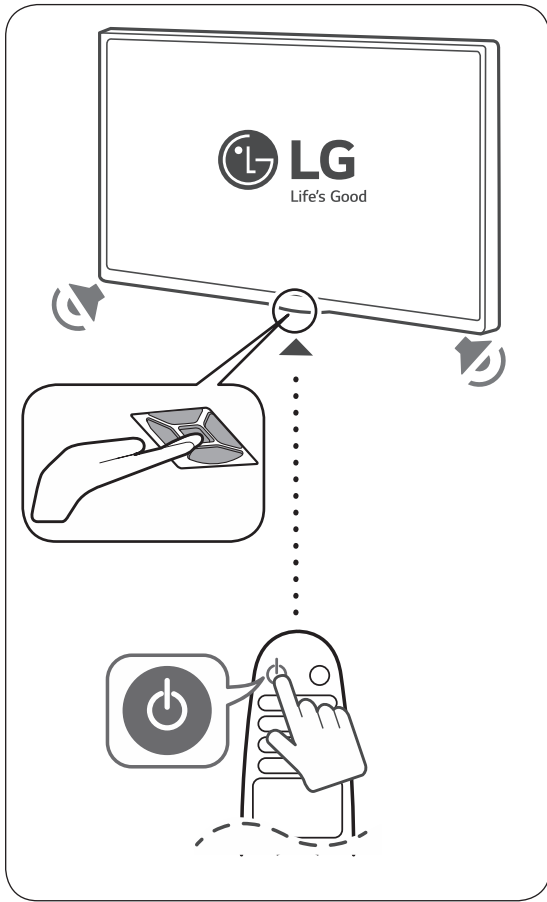
SJ80\*\*





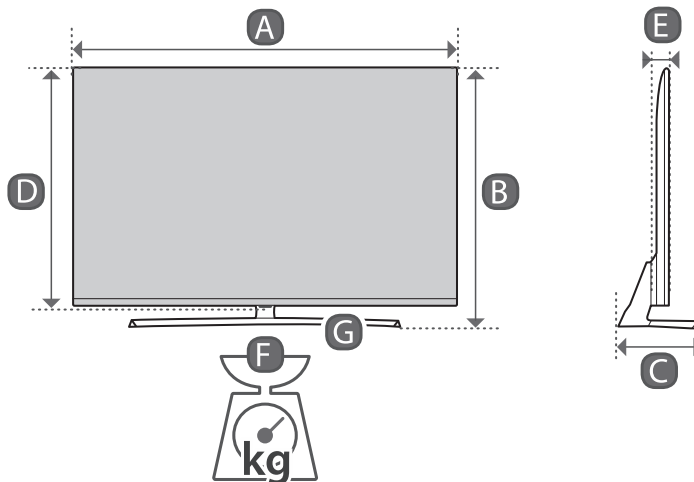
**NOTE**

Image shown may vary depending on model.



**NOTE**

Image shown may vary depending on model.

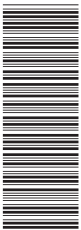


	A (mm)	B (mm)	C (mm)	D (mm)	E (mm)	F (kg)	F - G (kg)
43UJ752T-TB 43UJ752V-TB 43UJ752Y-TB	967.6	628.9	213.4	566.4	62.1	11.4	10.2
49UJ752T-TB 49UJ752V-TB 49UJ752Y-TB 49SJ800T-TA 49SJ800V-TA 49SJ800Y-TA	1100.1	698.6	247.3	640.9	62.1	14.1	12.7
Power requirement					AC 100-240 V - 50 / 60 Hz		

**NOTE**

Image shown may vary depending on model.

MF L69 446157



	<b>A</b> (mm)	<b>B</b> (mm)	<b>C</b> (mm)	<b>D</b> (mm)	<b>E</b> (mm)	<b>F</b> (kg)	<b>F - G</b> (kg)
55UJ752T-TB 55UJ752V-TB 55UJ752Y-TB 55SJ800T-TA 55SJ800V-TA 55SJ800Y-TA	1236	773.5	247.3	717.6	62.1	16.7	15.3
60UJ752T-TB 60UJ752V-TB 60UJ752Y-TB 60SJ800T-TA 60SJ800V-TA 60SJ800Y-TA	1344.1	834.7	312.4	773.3	63.5	22.3	20.8
65UJ752T-TB 65UJ752V-TB 65UJ752Y-TB 65SJ800T-TA 65SJ800V-TA 65SJ800Y-TA	1455.2	898.1	312.4	840.9	63.5	25.5	24.0
Power requirement					AC 100-240 V - 50 / 60 Hz		