

# Printing Specification

## 1. Specification

1. Specification			1.1 Folding / Cover		
Models	1. Model Name:	55UH5Q-E	<div style="display: flex; justify-content: space-around; align-items: center;"> <div style="border: 1px solid black; padding: 5px; text-align: center;">Front</div> <div style="border: 1px solid black; padding: 5px; text-align: center;">2</div> <div style="border: 1px solid black; padding: 5px; text-align: center;">3</div> </div> <div style="display: flex; justify-content: space-around; align-items: center;"> <div style="border: 1px solid black; padding: 5px; text-align: center;">4</div> <div style="border: 1px solid black; padding: 5px; text-align: center;">5...</div> <div style="border: 1px solid black; padding: 5px; text-align: center;">Back</div> </div>		
	2. Suffix:	FP			
	3. Part No:	MFL05805305			
	4. REV	REV02			
SIZE	5. Number of pages	68			
	6. Folded/Unfolded	Unfolded			
	7. Trim size (W x H)_Unfolded (mm)	148 x 210			
COVER	8. Trim size (W x H)_folded (mm)	-			
	9. Bindery	Saddle stitching			
INNER	10. Color (Cover)	1			
	11. Paper (Cover)	Wood free			
	12. Weight (cover) (g/m <sup>2</sup> )	80			
	13. Color (inner)	1			
	14. Paper (inner)	Wood free			
	15. Weight (inner) (g/m <sup>2</sup> )	80			
	16. Coating	No			
	17. Thomson	No			
	18. Sub-material	No			
	19. Languages	ENG/FRE/ARA (3)			

## 2. Origin Notification

<p style="text-align: center;">Changes the Country name.</p> <p>Copyright © 2021 LG Electronics Inc. All Rights Reserved.</p> <p style="text-align: center;">Printed in Korea ← Printed in [Country Name in English]</p> <p style="text-align: center;">Imprimé en Corée ← Imprimé en (au) [Country Name in French]</p> <p style="text-align: center;">www.lg.com</p>	<p style="text-align: center;">[Country Name] (ENG/FRE)</p> <table border="1"> <tr> <td>LGERS / LGEMX :</td> <td>Printed in Mexico Imprimé au Mexique</td> </tr> <tr> <td>LGEKR :</td> <td>Printed in Korea Imprimé en Corée</td> </tr> <tr> <td>LGEMA :</td> <td>Printed in Poland Imprimé en Pologne</td> </tr> <tr> <td>LGEND :</td> <td>Printed in China Imprimé en Chine</td> </tr> <tr> <td>LGEIN :</td> <td>Printed in Indonesia Imprimé en Indonésie</td> </tr> <tr> <td>Others :</td> <td>Each Country name.</td> </tr> </table>	LGERS / LGEMX :	Printed in Mexico Imprimé au Mexique	LGEKR :	Printed in Korea Imprimé en Corée	LGEMA :	Printed in Poland Imprimé en Pologne	LGEND :	Printed in China Imprimé en Chine	LGEIN :	Printed in Indonesia Imprimé en Indonésie	Others :	Each Country name.
LGERS / LGEMX :	Printed in Mexico Imprimé au Mexique												
LGEKR :	Printed in Korea Imprimé en Corée												
LGEMA :	Printed in Poland Imprimé en Pologne												
LGEND :	Printed in China Imprimé en Chine												
LGEIN :	Printed in Indonesia Imprimé en Indonésie												
Others :	Each Country name.												
<p><b>[Restriction of Hazardous Substances ]</b></p> <p>Hazardous substances on this product should be satisfied by substance regulation of Level A-I, A-II, SVHC according to LG(S2)B-5011 standard. Especially, Part should be followed and controlled the following specification.</p> <p>(1) Hazardous substances test report should be submitted when part certification test and first mass production.</p> <p>(2) Especially, Don't use or contain lead (Pb) and cadmium (Cd) in ink.</p> <p><b>INK REQUIREMENT FOR EU</b></p> <p>(1) The amount of MOAH/MOSH must be less than 0.1% of the weight of the INK used.</p> <p>*MOAH(Mineral Oil Aromatic Hydrocarbons) : Consisting of 1 to 7 aromatic cycles</p> <p>*MOSH(Mineral Oil Saturated Hydrocarbons) : Consisting of 16 to 35 carbon atoms</p> <p>(2) From 01 January 2025 : Ban on the use of MOAH in INK up to a limit of one part per million(1ppm) for compounds of 3 to 7 aromatic cycles</p>													

## 3. History

REV07				
REV06				
REV05				
REV04				
REV03				
REV02	2025-12-09	Added option notation to power cord holder accessory.	EKMP900355	Minseon Jeong
REV01	2025-10-27	Added the new models. (43/49/55/65UH7Q-E)	EKMP600541	Minseon Jeong
REV00	2025-07-09	-	-	Checked : Eunhye Jeong
				Approved : Jongok Kim
Rev. Number	Date	Description	ECO Number	Owner
				Minseon Jeong



OWNER'S MANUAL

# LG Digital Signage

(MONITOR SIGNAGE)

---

Please read the user manual before using this product to ensure safe and convenient use.

43UH5Q-E	43UH7Q-E
49UH5Q-E	49UH7Q-E
55UH5Q-E	55UH7Q-E
65UH5Q-E	65UH7Q-E



\* M F L 0 5 8 0 5 3 0 5 \*

(2512-REV02)

[www.lg.com](http://www.lg.com)

Copyright © 2025 LG Electronics Inc. All Rights Reserved.

# TABLE OF CONTENTS

<b>BASIC .....</b>	<b>3</b>
- Checking the Accessories.....	3
- Learning the Buttons.....	4
<b>GETTING READY .....</b>	<b>5</b>
- Optional Accessories.....	5
- IR sensor inside the product .....	6
- Using the IR Receiver.....	7
- Kensington Lock Device.....	8
<b>CHECKING BEFORE INSTALLATION .....</b>	<b>9</b>
- Installation Orientation.....	9
- Installation Location.....	10
- Wall Mount Holder .....	11
<b>PRECAUTIONS FOR USE.....</b>	<b>13</b>
- Dust.....	13
- Afterimage.....	13
- DPM (Standby Mode) Wake up Control .....	14
<b>PRODUCT SPECIFICATIONS .....</b>	<b>15</b>
<b>LICENCE.....</b>	<b>20</b>
<b>TO SEE THE WEB MANUALS (SOFTWARE USER GUIDE / INSTALLATION MANUAL) .....</b>	<b>21</b>

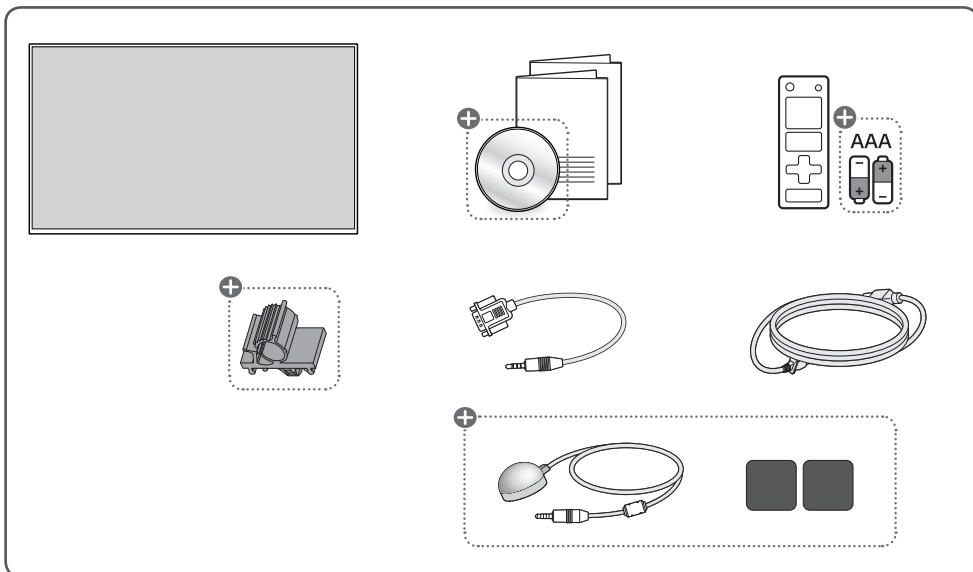
**WARNING** - This product is not intended for household use.

## BASIC

### ! NOTE

- The accessories provided with your product may vary depending on the model or region.
- Product specifications or contents in this manual may be changed without prior notice due to upgrade of product functions.
- SuperSign Software & Manual
  - Visit <https://partner.lge.com> to download the latest SuperSign software and manual.

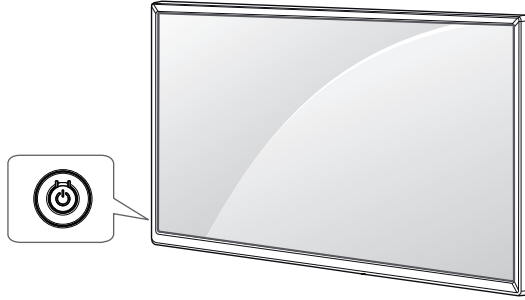
### Checking the Accessories



+ Depending on country

## Learning the Buttons

The illustrations may differ depending on the model.



Power On (Press the button When the monitor is turned off.)

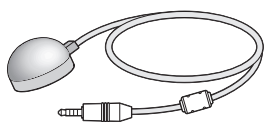
Power Off (Press the button When the monitor is turned on.)

# GETTING READY

## Optional Accessories

Without prior notice, optional accessories are subject to change to improve the performance of the product, and new accessories may be added. The illustrations in this manual may differ from the actual product and accessories.

### ACC-L



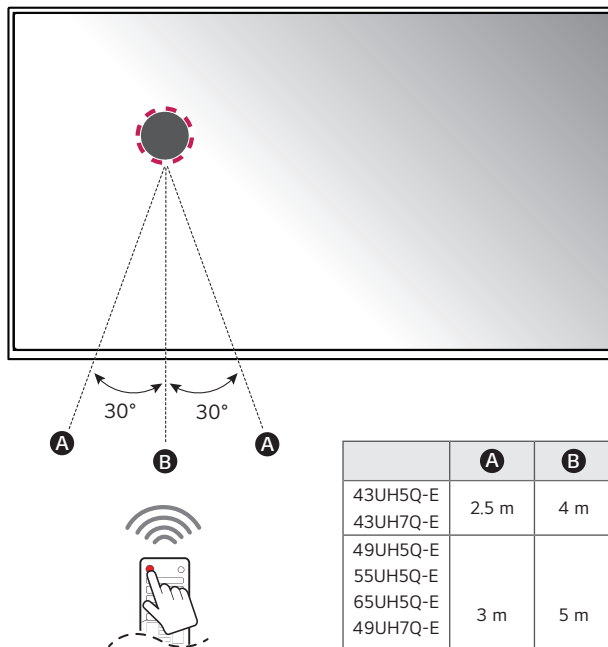
IR Receiver



Magnetic Sheet

## IR sensor inside the product

Use the remote control at a distance of 3 to 5 m from the product sensor and at a 30° angle to the left and right. (43UH5Q-E, 43UH7Q-E: 2.5 to 4 m)

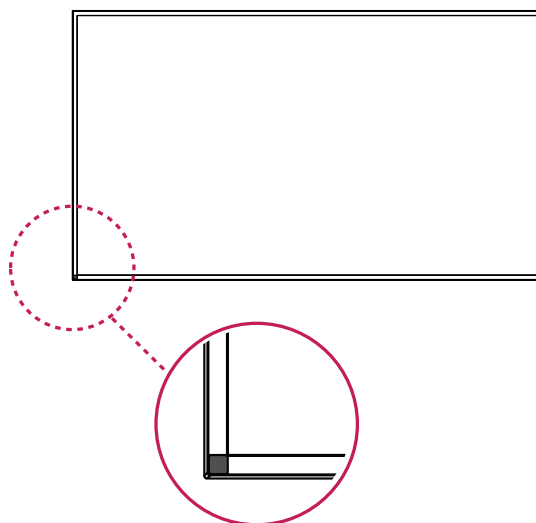
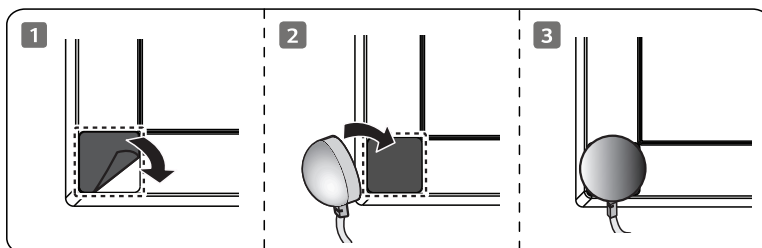


	A	B
43UH5Q-E	2.5 m	4 m
43UH7Q-E		
49UH5Q-E		
55UH5Q-E	3 m	5 m
65UH5Q-E		
49UH7Q-E		
55UH7Q-E		
65UH7Q-E		

## Using the IR Receiver

To improve IR receiver performance or use the light sensor, connect an external IR receiver (optional accessory) to the IR&LIGHT SENSOR port.

The IR receiver is made with a magnet. Attach the magnetic sheet to the desired position on the product. It is recommended to attach it to the location illustrated in the figure below.

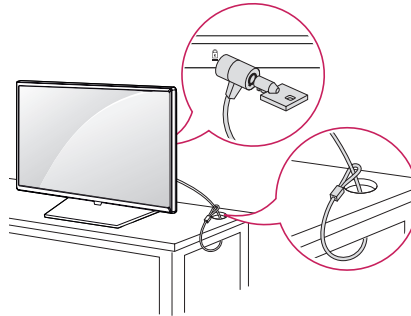


## Kensington Lock Device

(This feature applies only to some models.)

The Kensington lock device connector is located on the back of the monitor. For more information on installation and use, refer to the user manual provided with the locking device.

Connect the Kensington security system cable between the monitor and a table.



### ! NOTE

- The Kensington lock device is an optional specification.
- This is a general illustration of installation and may look different from the product held by the customer.

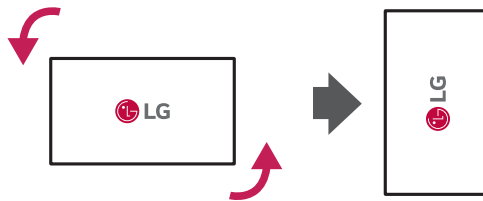
# CHECKING BEFORE INSTALLATION

We are not responsible for product damage caused by failure to follow the guide.

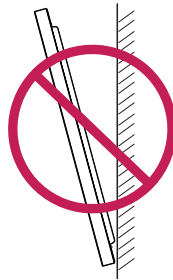
## Installation Orientation

### Using Vertically

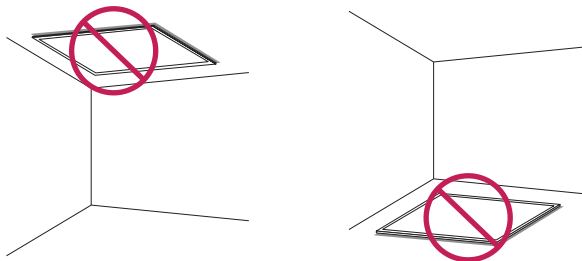
When installing vertically, rotate the monitor 90 degrees anti-clockwise while facing the front of the screen.



### Tilt Angle



### Ceiling, Floor Orientation



## Installation Location

We are not responsible for product damage caused by failure to follow the guide.

### Indoor

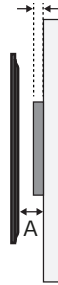
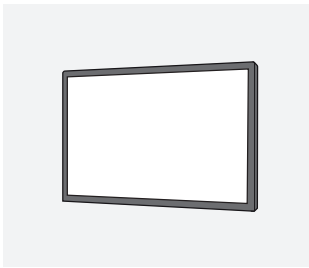
#### Installing on a Wall

13 mm (Slim Wall Mount, optional)

A : 13 mm or more

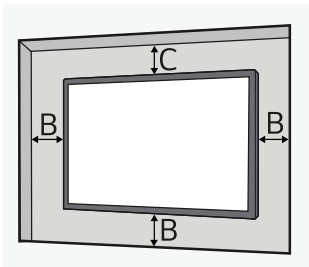
26 mm (Normal Wall Mount, optional)

- The warranty will not cover any damage caused by using the product in direct sunlight on the front panel.



- Leave sufficient space around the product so that the ventilation vents of the product are not blocked.

#### Installing on a Recessed Wall



A : 13 mm or more

B : 50 mm or more

C : 70 mm or more

- The warranty will not cover any damage caused by using the product in direct sunlight on the front panel.

### Outdoor

#### Outdoor Enclosed

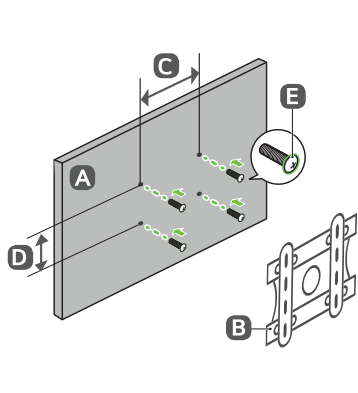


## Wall Mount Holder

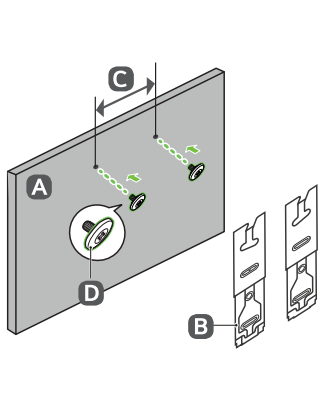
To install the monitor on a wall, attach a wall mount holder (optional) to the back of the monitor.

Take caution, and ensure that the wall mount holder (optional) is securely fixed to the monitor and to the wall.

The VESA dimensions of the wall mount by model are as follows.



A	B	C x D (mm)	E	E Length (Maximum) (mm)
43UH5Q-E 43UH7Q-E	LSW240*	200 x 200	M6	14
49UH5Q-E 49UH7Q-E 55UH5Q-E 55UH7Q-E 65UH5Q-E 65UH7Q-E	OLW480*	300 x 300	M6	14



A	B	C (mm)	D	D Length (Maximum) (mm)
43UH5Q-E 43UH7Q-E	WB21LM*	200	M6	14
49UH5Q-E 49UH7Q-E 55UH5Q-E 55UH7Q-E 65UH5Q-E 65UH7Q-E	WB21LM*	300	M6	14

 **CAUTION**

- Disconnect the power cord first, and then move or install the monitor. Otherwise, it may result in electric shock.
- If the monitor is installed on a ceiling or inclined wall, it may fall and result in injury.
- Damage to the monitor by tightening the screws too tightly may void your warranty.
- Use screws and wall mount plates conforming to VESA standards. Breakage or personal injury due to use or misuse of inappropriate components is not covered by the warranty of this product.

 **NOTE**

- Using screws longer than the indicated depth may damage the inside of the product. Be sure to use the proper length.
- For more information on installation, please refer to the user manual for the wall mount.

## PRECAUTIONS FOR USE

### Dust

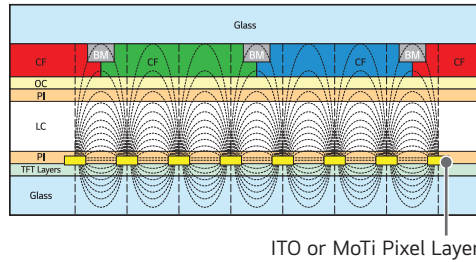
The warranty will not cover any damage caused by using the product in an excessively dusty environment.

### Afterimage

- After-image appears when the product is turned off.
  - Pixels may be damaged rapidly if a still image is displayed on the screen for a long period of time. Use the screen-saver function.
  - Switching from a screen with high differences in luminance (black and white or grey) to a darker screen may cause an afterimage. This is normal due to the display characteristics of this product.
- When the LCD screen is in a still pattern for extended periods of use, a slight voltage difference may occur between the electrodes that operate the liquid crystal (LC). The voltage difference between the electrodes increases over time and tends to keep the liquid crystal aligned in one direction. At this time, the previous image remains, which is called an afterimage.
- Afterimages do not occur when continuously changing images are used but take place when a certain screen is fixed for a long time. The following are operational recommendations for reducing the occurrence of afterimages when using a fixed screen. The maximum recommended time for switching the screen is 12 hours. Shorter cycles are better for preventing afterimages.

- Recommended Usage Condition

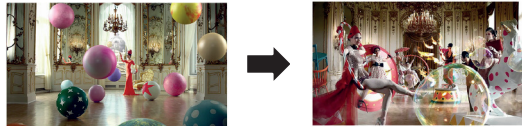
- 1 Change the background colour and text colour at equal intervals.
  - Afterimages occur less when the colours to be changed are complementary to one another.



ITO or MoTi Pixel Layer

- 2 Switch the screen at equal time intervals.

- Take caution, and ensure that text or images from before the screen change are not left in the same location after the screen change.



## DPM (Standby Mode) Wake up Control

HDMI3, DP input do not support DPM (Standby Mode) wake up control function.

## PRODUCT SPECIFICATIONS

Without prior notice, all product information and specifications contained in this manual are subject to change to improve the performance of the product.

<b>Input/Output Ports</b>	LAN IN, USB 2.0 IN 1, USB 2.0 IN 2, HDMI™ IN 1, HDMI™ IN 2, HDMI™ IN 3, DP IN, IR&LIGHT SENSOR, AUDIO OUT, RS-232C IN, RS-232C OUT	
<b>Resolution</b>	Recommended Resolution	3840 x 2160 @ 60 Hz (HDMI1,2,3 / DisplayPort)
	Max Resolution	- This may not be supported on some OS or graphics card types.
<b>Embedded battery</b>	Applied	
<b>Environmental Conditions</b>	Operating Temperature	0 °C to 40 °C
	Operating Humidity	10 % to 80 % (Condition for preventing condensation)
	Storage Temperature	-20 °C to 60 °C
	Storage Humidity	5 % to 85 % (Condition for preventing condensation) * Product box packaging storage conditions

### ! NOTE

- HDMI3, DP input do not support DPM (Standby Mode) wake up control function.

**43UH5Q-E, 43UH7Q-E**

Power Voltage	100-240 V~ 50/60 Hz 1.2 A
Size (Width x Height x Depth) / Weight	971.7 mm x 561 mm x 29.7 mm / 9.4 kg

**49UH5Q-E, 49UH7Q-E**

Power Voltage	100-240 V~ 50/60 Hz 1.3 A
Size (Width x Height x Depth) / Weight	1104.3 mm x 635.5 mm x 29.7 mm / 11.4 kg

**55UH5Q-E, 55UH7Q-E**

Power Voltage	100-240 V~ 50/60 Hz 1.6 A
Size (Width x Height x Depth) / Weight	1240.1 mm x 711.9 mm x 29.7 mm / 14.3 kg

**65UH5Q-E, 65UH7Q-E**

Power Voltage	100-240 V~ 50/60 Hz 2.0 A
Size (Width x Height x Depth) / Weight	1459 mm x 835 mm x 29.7 mm / 21.1 kg

**HDMI / DisplayPort (Normal Mode)**

Resolution	Horizontal frequency (kHz)	Vertical frequency (Hz)
800 x 600	37.879	60.317
1024 x 768	48.363	60
1280 x 720	44.772	59.855
1280 x 1024	63.981	60.02
1920 x 1080	67.5	60
3840 x 2160	67.5	30
3840 x 2160	135	60

**HDMI / DisplayPort (Video Mode)**

Resolution	Horizontal frequency (kHz)	Vertical frequency (Hz)
480/60p	31.5	60
576/50p	31.25	50
720/50p	37.5	50
720/60p	45	60
1080/50i	28.1	50
1080/60i	33.75	60
1080/50p	56.25	50
1080/60p	67.432	59.94
1080/60p	67.5	60
2160/30p	67.5	30
2160/50p	112.5	50
2160/60p	135	60

**! NOTE**

- Horizontal frequency: The horizontal interval is the time taken to display one horizontal line. When 1 is divided by the horizontal interval, the number of horizontal lines displayed every second can be tabulated as the horizontal frequency. The unit is kHz.
- Vertical frequency: The product display functions by the screen image changing dozens of times every second like a fluorescent lamp. The vertical frequency or refresh rate is the number of image displays per second. The unit is Hz.

<b>Wireless module (LGSBWAC24) Specifications</b>	
<b>Wireless LAN (IEEE 802.11a/b/g/n/ac)</b>	
<b>Frequency range (MHz)</b>	<b>Output power (Max.) (dBm)</b>
2400 to 2483.5	16.5
5150 to 5725	16
5725 to 5850	13
<b>Bluetooth</b>	
<b>Frequency range (MHz)</b>	<b>Output power (Max.) (dBm)</b>
2400 to 2483.5	7

- As band channels can vary per country, the user cannot change or adjust the operating frequency. This product is configured for the regional frequency table.
- For consideration of the user, this device should be installed and operated with a minimum distance of 20 cm between the device and the body.

## LICENCE

Supported licenses may differ by model. For more information of the licenses, visit [www.lg.com](http://www.lg.com).

**HDMI™**  
HIGH-DEFINITION MULTIMEDIA INTERFACE

The terms HDMI, HDMI High-Definition Multimedia Interface, HDMI trade dress and the HDMI Logos are trademarks or registered trademarks of HDMI Licensing Administrator, Inc.

Manufactured under license from Dolby Laboratories. Dolby, Dolby Vision, Dolby Vision IQ, Dolby Audio, Dolby Atmos, and the double-D symbol are trademarks of Dolby Laboratories Licensing Corporation.

**HEVC** Advance™  
Covered by patents at [patentlist.accessadvance.com](http://patentlist.accessadvance.com)

The Bluetooth® word mark and logos are registered trademarks owned by Bluetooth SIG, Inc. and any use of such marks by LG Electronics Inc. is under license. Other trademarks and trade names are those of their respective owners.

**CRESTRON  
CONNECTED**

## TO SEE THE WEB MANUALS (SOFTWARE USER GUIDE / INSTALLATION MANUAL)

You can find more information about the LG Digital Signage (Monitor Signage) in the web manuals (Software User Guide / Installation Manual).

For more information, visit the LG website at <http://partner.lge.com>.



The model and serial number of the product are located on the back and on one side of the product. Record them below in case you ever need service.

MODEL \_\_\_\_\_

SERIAL NO. \_\_\_\_\_

This product qualifies for ENERGY STAR®.

Changing the factory default configuration and settings or enabling certain optional features and functionalities may increase energy consumption beyond the limits required for ENERGY STAR® certification.

Refer to [ENERGYSTAR.gov](http://ENERGYSTAR.gov) for more information on the ENERGY STAR® program.

Temporary noise is normal when powering ON or OFF this device.



MANUEL D'UTILISATION

# Signalétique numérique LG

## (MONITEUR DE SIGNALISATION)

---

Veillez lire le guide de l'utilisateur avant d'utiliser ce produit pour garantir une utilisation sécurisée et pratique.

43UH5Q-E	43UH7Q-E
49UH5Q-E	49UH7Q-E
55UH5Q-E	55UH7Q-E
65UH5Q-E	65UH7Q-E

[www.lg.com](http://www.lg.com)

Copyright © 2025 LG Electronics Inc. Tous droits réservés.

# TABLE DES MATIÈRES

## PARAMÈTRES DE BASE.....3

- Vérification des accessoires.....3
- Découverte des boutons .....4

## PRÉPARATION .....5

- Accessoires en option.....5
- Capteur IR à l'intérieur du produit.....6
- Utilisation du récepteur IR .....7
- Dispositif de verrouillage Kensington .....8

## VÉRIFICATION AVANT

## INSTALLATION .....9

- Orientation de l'installation.....9
- Emplacement d'installation..... 10
- Support de montage mural..... 11

## PRÉCAUTIONS D'EMPLOI.....13

- Poussière.....13
- Image rémanente .....13
- Contrôle de réactivation DPM (Mode Veille).....14

## SPÉCIFICATIONS DU PRODUIT..15

## LICENCE..... 20

## POUR CONSULTER LES MANUELS EN LIGNE (GUIDE DE L'UTILISATEUR / MANUEL D'INSTALLATION) .....21

**AVERTISSEMENT** - Ce produit n'est pas conçu pour un usage domestique.

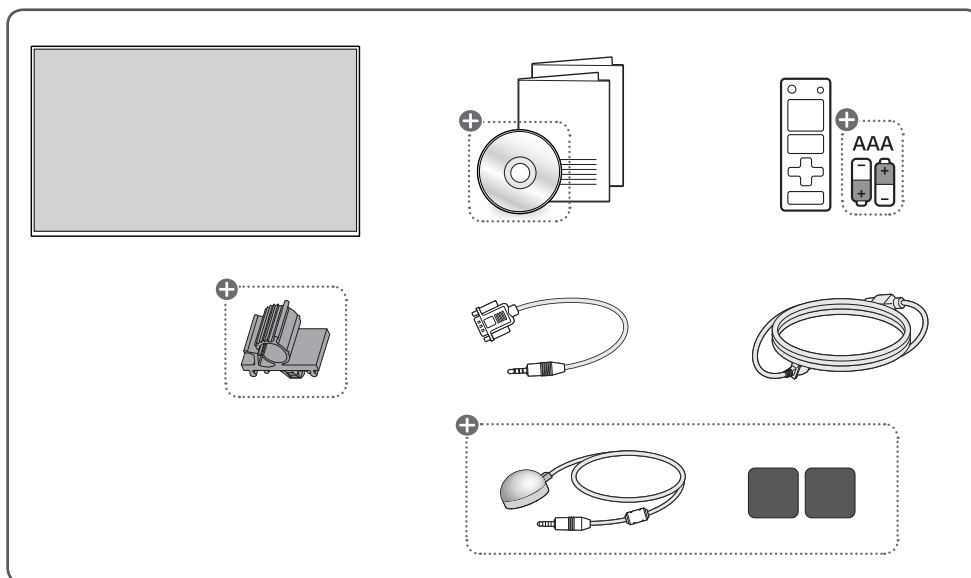
## PARAMÈTRES DE BASE

### ! REMARQUE

- Les accessoires fournis avec le produit diffèrent en fonction du modèle choisi et de la région.
- Les caractéristiques des produits ou le contenu de ce manuel peuvent être modifiés sans avis préalable en cas de mise à jour des fonctions.
- SuperSign logiciel et manuel
  - Rendez-vous sur <https://partner.lge.com> pour télécharger la dernière version du manuel et du logiciel SuperSign.

FRANÇAIS

### Vérification des accessoires

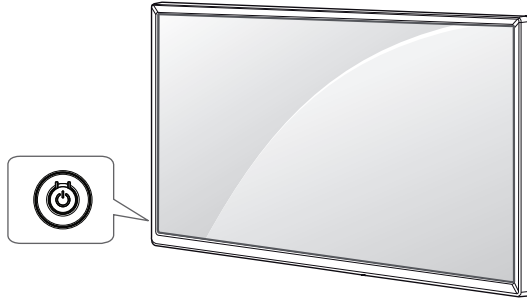


+ Selon le pays

## Découverte des boutons

Votre modèle peut différer des illustrations.

FRANÇAIS



Marche (Appuyez sur le bouton lorsque le moniteur est éteint.)

Arrêt (Appuyez sur le bouton lorsque le moniteur est allumé.)

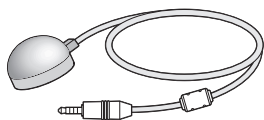
# PRÉPARATION

## Accessoires en option

Les accessoires en option peuvent être modifiés et de nouveaux accessoires peuvent être ajoutés sans préavis, dans le but d'améliorer les performances du produit. L'aspect réel des produits et des accessoires présentés dans ce manuel peut différer des illustrations.

FRANÇAIS

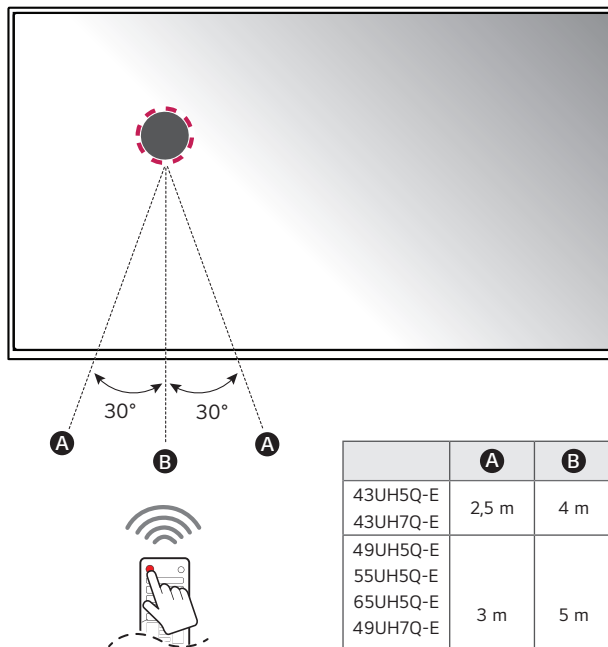
ACC-L

**Récepteur IR****Feuille magnétique**

## Capteur IR à l'intérieur du produit

Utilisez la télécommande à une distance de 3 à 5 m du capteur du produit et à un angle de 30° vers la droite et la gauche. (43UH5Q-E, 43UH7Q-E: 2,5 à 4 m)

FRANÇAIS

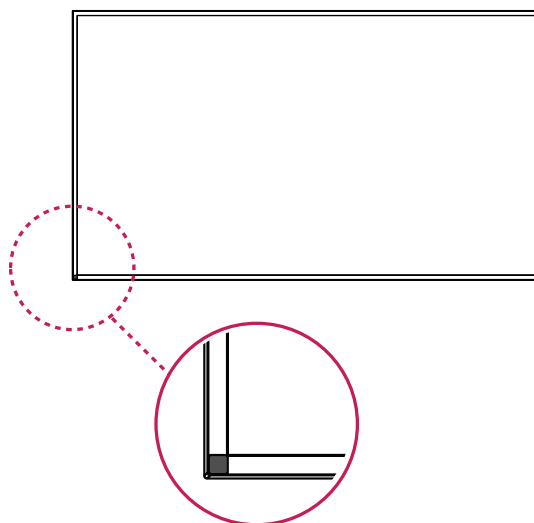
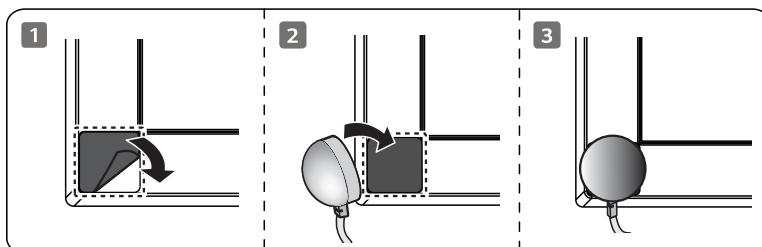


	A	B
43UH5Q-E 43UH7Q-E	2,5 m	4 m
49UH5Q-E 55UH5Q-E 65UH5Q-E 49UH7Q-E 55UH7Q-E 65UH7Q-E	3 m	5 m

## Utilisation du récepteur IR

Pour améliorer les performances du récepteur IR ou utiliser le capteur de lumière, raccordez un récepteur IR externe (accessoire en option) au port IR&LIGHT SENSOR.

Le récepteur IR est constitué d'un aimant. Fixez la feuille magnétique à la position souhaitée sur le produit. Il est recommandé de la fixer à l'emplacement indiqué dans l'illustration ci-dessous.

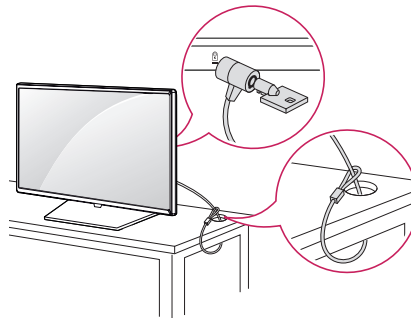


## Dispositif de verrouillage Kensington

(Cette fonction s'applique uniquement à certains modèles.)

Le connecteur du dispositif de verrouillage Kensington se situe à l'arrière du moniteur. Pour plus d'informations sur l'installation et l'utilisation de ce dispositif, reportez-vous au manuel d'utilisation fourni avec le dispositif de verrouillage.

Raccordez le câble du système de sécurité Kensington au moniteur et à la table.



### ! REMARQUE

- L'utilisation du dispositif de verrouillage Kensington est facultative.
- Ceci est une illustration générale de l'installation et le produit détenu par le client peut être différent.

# VÉRIFICATION AVANT INSTALLATION

En cas de non-respect du guide, nous ne sommes pas responsables de l'endommagement du produit.

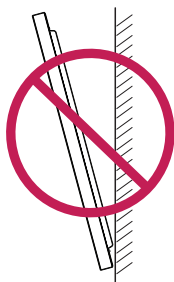
## Orientation de l'installation

### Utilisation verticale

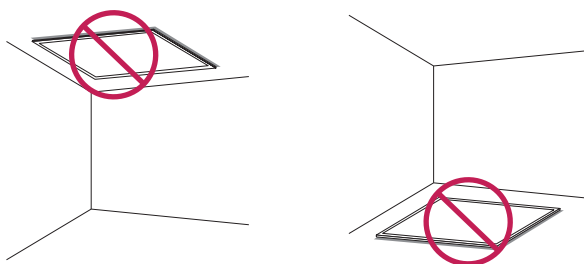
Lors d'une installation verticale, placez-vous face à l'avant de l'écran et faites pivoter le moniteur de 90 degrés dans le sens inverse des aiguilles d'une montre.



### Angle d'inclinaison



### Orientation au plafond ou au sol



## Emplacement d'installation

En cas de non-respect du guide, nous ne sommes pas responsables de l'endommagement du produit.

### En intérieur

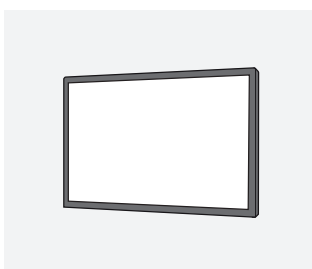
#### Installation au mur

13 mm (support mural fin, facultatif)

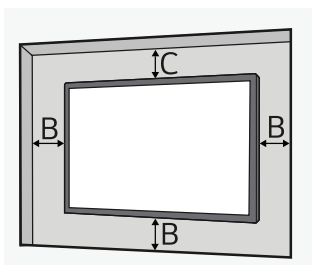
A : 13 mm ou plus

26 mm (support mural normal, facultatif)

- La garantie ne couvre pas les dommages causés par une utilisation du produit avec une exposition directe à la lumière du soleil sur le panneau avant.
- Laissez suffisamment d'espace autour du produit pour que ses orifices de ventilation ne soient pas obstrués.



#### Installation sur un mur encastré



A : 13 mm ou plus

B : 50 mm ou plus

C : 70 mm ou plus

- La garantie ne couvre pas les dommages causés par une utilisation du produit avec une exposition directe à la lumière du soleil sur le panneau avant.

### En extérieur

#### En extérieur fermé

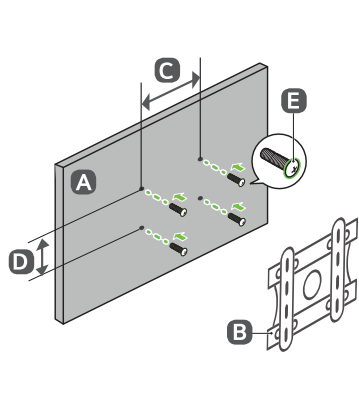


## Support de montage mural

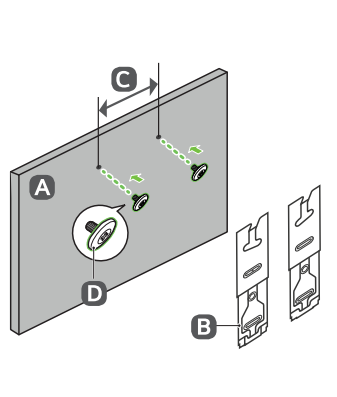
Pour fixer le moniteur sur un mur, installez un support de montage mural (disponible en option) à l'arrière du moniteur.

Faites attention et assurez-vous que le support de montage mural (en option) est solidement fixé au moniteur et au mur.

Les dimensions VESA du support mural par modèle sont les suivantes.



A	B	C x D (mm)	E	E Longueur (maximale) (mm)
43UH5Q-E 43UH7Q-E	LSW240*	200 x 200	M6	14
49UH5Q-E 49UH7Q-E 55UH5Q-E 55UH7Q-E 65UH5Q-E 65UH7Q-E	OLW480*	300 x 300	M6	14



A	B	C (mm)	D	D Longueur (maximale) (mm)
43UH5Q-E 43UH7Q-E	WB21LM*	200	M6	14
49UH5Q-E 49UH7Q-E 55UH5Q-E 55UH7Q-E 65UH5Q-E 65UH7Q-E	WB21LM*	300	M6	14

 **AVERTISSEMENT**

- Débranchez d'abord le cordon d'alimentation, puis déplacez ou installez le moniteur. Si vous ne respectez pas cette consigne, vous risquez d'être électrocuté.
- Si le moniteur est fixé au plafond ou sur un mur oblique, il risque de tomber et de blesser quelqu'un.
- Tout endommagement du moniteur causé par un serrage extrême des vis peut annuler votre garantie.
- Utilisez des vis et un support mural conformes aux normes VESA. La garantie de ce produit ne couvre pas les cassures ou les blessures causées par l'utilisation ou la mauvaise utilisation de composants non appropriés.

 **REMARQUE**

- L'utilisation de vis plus longues que les spécifications indiquées peut endommager l'intérieur du produit. Vérifiez leur longueur avant de procéder à l'installation.
- Pour plus d'informations sur l'installation, consultez le manuel de l'utilisateur du support mural.

# PRÉCAUTIONS D'EMPLOI

## Poussière

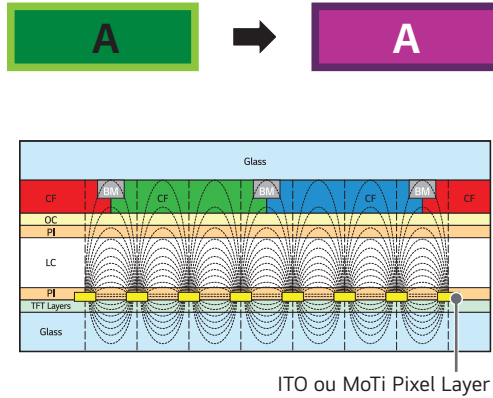
La garantie ne couvre pas les dommages causés par une utilisation du produit dans un environnement excessivement poussiéreux.

## Image rémanente

- Une image rémanente apparaît lorsque le produit est mis hors tension.
  - Les pixels peuvent être endommagés rapidement si une image fixe est affichée à l'écran pendant une longue période. Utilisez la fonction écran de veille.
  - Passer d'un écran présentant de forts écarts de luminance (noir et blanc ou gris) à un écran plus sombre peut provoquer une image rémanente. Ce phénomène est normal en raison des caractéristiques d'affichage de ce produit.
- Lorsque l'écran LCD est figé pendant de longues périodes d'utilisation, une légère différence de tension peut se produire entre les électrodes qui font fonctionner les cristaux liquides (LC). La différence de tension entre les électrodes augmente avec le temps et tend à maintenir les cristaux liquides alignés dans une direction. À ce stade, l'image précédente reste à l'écran, ce que l'on appelle une image rémanente.
- Les images rémanentes ne se produisent pas lorsque des images sont changées continuellement, mais lorsqu'une image est fixe pendant une longue période. Les recommandations opérationnelles suivantes permettent de réduire l'apparition d'images rémanentes lors de l'affichage d'une image fixe. Il est recommandé de changer l'image toutes les 12 heures au maximum. Des cycles plus courts sont préférables pour éviter l'apparition d'images rémanentes.

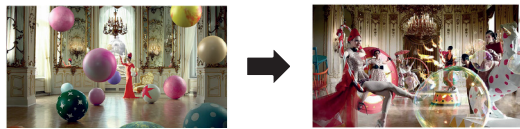
- Conditions d'utilisation recommandées

- 1 Changez la couleur d'arrière-plan et la couleur du texte à intervalles de temps égaux.
  - Les images rémanentes apparaissent moins souvent lorsque les couleurs à modifier sont complémentaires.



- 2 Changez l'image affichée à l'écran à intervalle de temps réguliers.

- Faites attention et assurez-vous que les images et le texte présents à l'écran avant le changement ne soient pas affichés au même endroit après le changement.



## Contrôle de réactivation DPM (Mode Veille)

L'entrée DP, HDMI3 ne prend pas en charge la fonction de contrôle de réactivation DPM (Mode Veille).

# SPÉCIFICATIONS DU PRODUIT

Les informations et spécifications contenues dans ce manuel peuvent être modifiées sans préavis, dans le but d'améliorer les performances du produit.

<b>Ports d'entrée/de sortie</b>	LAN IN, USB 2.0 IN 1, USB 2.0 IN 2, HDMI™ IN 1, HDMI™ IN 2, HDMI™ IN 3, DP IN, IR&LIGHT SENSOR, AUDIO OUT, RS-232C IN, RS-232C OUT	
<b>Résolution</b>	Résolution recommandée	3840 x 2160 à 60 Hz (HDMI1,2,3 / DisplayPort)
	Résolution max.	- Il se peut que la prise en charge ne soit pas possible sur certains systèmes d'exploitation ou certains types de carte graphique.
<b>Batterie intégrée</b>	Appliqué	
<b>Conditions environnementales</b>	Température de fonctionnement	De 0 °C à 40 °C
	Humidité de fonctionnement	De 10 % à 80 % (pour éviter la condensation)
	Température de stockage	De -20 °C à 60 °C
	Humidité de stockage	De 5 % à 85 % (pour éviter la condensation) * Conditions de stockage des emballages de produits

## ! REMARQUE

- L'entrée DP, HDMI3 ne prend pas en charge la fonction de contrôle de réactivation DPM (Mode Veille).

**43UH5Q-E, 43UH7Q-E**

Tension d'alimentation	100-240 V~ 50/60 Hz 1,2 A
Taille (Largeur x Hauteur x Profondeur) / Poids	971,7 mm x 561 mm x 29,7 mm / 9,4 kg

FRANÇAIS

**49UH5Q-E, 49UH7Q-E**

Tension d'alimentation	100-240 V~ 50/60 Hz 1,3 A
Taille (Largeur x Hauteur x Profondeur) / Poids	1 104,3 mm x 635,5 mm x 29,7 mm / 11,4 kg

**55UH5Q-E, 55UH7Q-E**

Tension d'alimentation	100-240 V~ 50/60 Hz 1,6 A
Taille (Largeur x Hauteur x Profondeur) / Poids	1 240,1 mm x 711,9 mm x 29,7 mm / 14,3 kg

**65UH5Q-E, 65UH7Q-E**

Tension d'alimentation	100-240 V~ 50/60 Hz 2,0 A
Taille (Largeur x Hauteur x Profondeur) / Poids	1 459 mm x 835 mm x 29,7 mm / 21,1 kg

**HDMI / DisplayPort (mode normal)**

Résolution	Fréquence horizontale (kHz)	Fréquence verticale (Hz)
800 x 600	37,879	60,317
1024 x 768	48,363	60
1280 x 720	44,772	59,855
1280 x 1024	63,981	60,02
1920 x 1080	67,5	60
3840 x 2160	67,5	30
3840 x 2160	135	60

FRANÇAIS

**HDMI / DisplayPort (mode vidéo)**

Résolution	Fréquence horizontale (kHz)	Fréquence verticale (Hz)
480/60p	31,5	60
576/50p	31,25	50
720/50p	37,5	50
720/60p	45	60
1080/50i	28,1	50
1080/60i	33,75	60
1080/50p	56,25	50
1080/60p	67,432	59,94
1080/60p	67,5	60
2160/30p	67,5	30
2160/50p	112,5	50
2160/60p	135	60

**! REMARQUE**

- Fréquence horizontale: L'intervalle horizontal est la durée nécessaire à l'affichage d'une ligne horizontale. Lorsque 1 est divisé par l'intervalle horizontal, le nombre de lignes horizontales affichées par seconde peut être calculé comme fréquence horizontale. Cette valeur est exprimée en kHz.
- Fréquence verticale : L'image à l'écran change des douzaines de fois par seconde comme une lampe fluorescente. La fréquence verticale ou le taux de rafraîchissement est le nombre d'images affichées par seconde. Cette valeur est exprimée en Hz.

<b>Spécifications du Module sans fil (LGSBWAC24)</b>	
<b>LAN sans fil (IEEE 802.11a/b/g/n/ac)</b>	
<b>Plage de fréquence (MHz)</b>	<b>Puissance en sortie (max.) (dBm)</b>
2 400 à 2 483,5	16,5
5 150 à 5 725	16
5 725 à 5 850	13
<b>Bluetooth</b>	
<b>Plage de fréquence (MHz)</b>	<b>Puissance en sortie (max.) (dBm)</b>
2 400 à 2 483,5	7
<ul style="list-style-type: none"> <li>• Les canaux de bande pouvant varier selon le pays, l'utilisateur ne peut pas modifier ni régler la fréquence de fonctionnement. Ce produit est configuré conformément au tableau de fréquences régionales.</li> <li>• Pour plus de sécurité, ce périphérique doit être installé et utilisé à une distance minimale de 20 cm de votre corps.</li> </ul>	

## LICENCE

Les licences prises en charge peuvent varier d'un modèle à l'autre. Pour plus d'informations sur les licences, consultez le site [www.lg.com](http://www.lg.com).

FRANÇAIS

**HDMI**<sup>TM</sup>  
HIGH-DEFINITION MULTIMEDIA INTERFACE

Les termes HDMI, interface multimédia haute définition HDMI et habillage commercial HDMI, et les logos HDMI sont des marques commerciales et des marques déposées de HDMI Licensing Administrator, Inc.

Fabriqué sous licence de Dolby Laboratories. Dolby, Dolby Vision, Dolby Vision IQ, Dolby Audio, Dolby Atmos et le symbole double-D sont des marques déposées de Dolby Laboratories Licensing Corporation.

**HEVC** Advance<sup>TM</sup>  
Covered by patents at [patentlist.accessadvance.com](http://patentlist.accessadvance.com)

The Bluetooth® word mark and logos are registered trademarks owned by Bluetooth SIG, Inc. and any use of such marks by LG Electronics Inc. is under license. Other trademarks and trade names are those of their respective owners.

**CRESTRON**  
**CONNECTED**

## **POUR CONSULTER LES MANUELS EN LIGNE (GUIDE DE L'UTILISATEUR / MANUEL D'INSTALLATION)**

Retrouvez plus d'informations sur les produits LG d'Affichage Dynamique (Digital Signage) sur les manuels en ligne (Guide de l'utilisateur / Manuel d'installation).

Pour plus d'informations visitez les sites web LG : <http://partner.lge.com>.



Le nom du modèle et le numéro de série sont indiqués à l'arrière et sur le côté du produit. Inscrivez-les ci-dessous pour référence ultérieure.

MODÈLE

---

N° DE SÉRIE

---



This product qualifies for ENERGY STAR®.

Changing the factory default configuration and settings or enabling certain optional features and functionalities may increase energy consumption beyond the limits required for ENERGY STAR® certification.

Refer to [ENERGYSTAR.gov](http://ENERGYSTAR.gov) for more information on the ENERGY STAR® program.

Un bruit temporaire est normal lors de la mise sous tension et hors tension de l'appareil.



This product qualifies for ENERGY STAR®.

Changing the factory default configuration and settings or enabling certain optional features and functionalities may increase energy consumption beyond the limits required for ENERGY STAR® certification.

Refer to ENERGYSTAR.gov for more information on the ENERGY STAR® program.

تجد طراز المنتج ورقمه التسلسلي على الجهة الخلفية منه وعلى أحد جوانبيه. دونهما أدناه في حال احتجت إلى أي خدمة.

يُعتبر الضجيج المؤقت عاديًا عند تشغيل هذا الجهاز أو إيقاف تشغيله.

الطراز

الرقم التسلسلي.

---

البريد

---

---

الدرجية

---

## لمراجعة دليل مستعمل الواب (دليل المستخدم للمنظومة / دليل التثبيت)

قد تتغير مواصفات المنتج المبيّنة أدناه من دون إخطار مسبق نتيجة لترقية وظائف المنتج. يمكنك العثور على مزيد من المعلومات حول الإشارات الرقمية LG (راصد لافتات) في كتيبات على شبكة الإنترنت ( دليل المستخدم للمنظومة / دليل التثبيت).  
لمزيد من المعلومات، يرجى زيارة موقع شركة إل جي على <http://partner.lge.com>.

## ترخيص

قد تختلف التراخيص المدعومة وفقاً للطرز. لمزيد من المعلومات حول التراخيص، يرجى زيارة الموقع [www.lg.com](http://www.lg.com).

**HDMI™**  
HIGH-DEFINITION MULTIMEDIA INTERFACE

تعد مصطلحات HDMI وواجهة الوسائط المتعددة عالية الوضوح HDMI والمظهر التجاري HDMI و شعارات HDMI علامات تجارية أو علامات تجارية مسجلة لشركة HDMI Licensing Administrator, Inc.

تم التصنيع بموجب ترخيص من Dolby Laboratories. وأن Dolby, Dolby Vision, Dolby Vision IQ, Dolby Audio, Dolby Atoms ورمز الD المزدوج جميعها علامات تجارية مسجلة لشركة Dolby Laboratories Licensing Corporation.

**HVC Advance™**  
Covered by patents at [patentlist.accessadvance.com](http://patentlist.accessadvance.com)

The Bluetooth® word mark and logos are registered trademarks owned by Bluetooth SIG, Inc. and any use of such marks by LG Electronics Inc. is under license. Other trademarks and trade names are those of their respective owners.

**CRESTRON  
CONNECTED**

مواصفات الوحدة اللاسلكية (LGSBWAC24)	
شبكة LAN اللاسلكية (IEEE 802.11a/b/g/n/ac)	
نطاق التردد (ميغاهرتز)	طاقة الإخراج (الحد الأقصى) (ديسيبل مللي واط)
2400 إلى 2483.5	16.5
5150 إلى 5725	16
5725 إلى 5850	13
تقنية Bluetooth	
نطاق التردد (ميغاهرتز)	طاقة الإخراج (الحد الأقصى) (ديسيبل مللي واط)
2400 إلى 2483.5	7
<ul style="list-style-type: none"> <li>• يُمكن لفتوات النطاق أن تتغير حسب الدولة، فلا يُمكن للمستخدم تغيير تردد التشغيل أو تعديله. تم تكوين المنتج لجدول التردد الإقليمي.</li> <li>• لاعتبارات خاصة بالمستخدم، يجب تركيب الجهاز وتشغيله على مسافة 20 سم على الأقل بين الجهاز والجسم.</li> </ul>	

**ملاحظة !**

- التردد الأفقي: الفاصل الزمني الأفقي هو الوقت المستغرق لعرض خط أفقي واحد. عند قسمة 1 على الفاصل الزمني الأفقي، يمكن اعتبار عدد الخطوط الأفقية التي تظهر كل ثانية كالتردد الأفقي. ووحدة القياس هي كيلوهرتز.
- التردد العمودي: تعمل شاشة المنتج من خلال تغيير صورة الشاشة عشرات المرات كل ثانية مثل مصباح فلورسنت. التردد العمودي أو معدل التحديث هو عدد مرات ظهور الصورة في الثانية. ووحدة القياس هي هرتز.

## DisplayPort / HDMI (الوضع العادي)

الاستبانة	التردد الأفقي (كيلوهرتز)	التردد العمودي (هرتز)
600 x 800	37.879	60.317
768 x 1024	48.363	60
720 x 1280	44.772	59.855
1024 x 1280	63.981	60.02
1080 x 1920	67.5	60
2160 x 3840	67.5	30
2160 x 3840	135	60

## DisplayPort / HDMI (وضع الفيديو)

الاستبانة	التردد الأفقي (كيلوهرتز)	التردد العمودي (هرتز)
60p/480	31.5	60
50p/576	31.25	50
50p/720	37.5	50
60p/720	45	60
50i/1080	28.1	50
60i/1080	33.75	60
50p/1080	56.25	50
60p/1080	67.432	59.94
60p/1080	67.5	60
30p/2160	67.5	30
50p/2160	112.5	50
60p/2160	135	60

**43UH7Q-E ، 43UH5Q-E**

الجهد الكهربائي	240-100 فولت ~ 60/50 هرتز 1.2 أمبير
الحجم (العرض x الارتفاع x العمق) / الوزن	971.7 مم x 561 مم x 29.7 مم / 9.4 كجم

**49UH7Q-E ، 49UH5Q-E**

الجهد الكهربائي	240-100 فولت ~ 60/50 هرتز 1.3 أمبير
الحجم (العرض x الارتفاع x العمق) / الوزن	1104.3 مم x 635.5 مم x 29.7 مم / 11.4 كجم

**55UH7Q-E ، 55UH5Q-E**

الجهد الكهربائي	240-100 فولت ~ 60/50 هرتز 1.6 أمبير
الحجم (العرض x الارتفاع x العمق) / الوزن	1240.1 مم x 711.9 مم x 29.7 مم / 14.3 كجم

**65UH7Q-E ، 65UH5Q-E**

الجهد الكهربائي	240-100 فولت ~ 60/50 هرتز 2.0 أمبير
الحجم (العرض x الارتفاع x العمق) / الوزن	1459 مم x 835 مم x 29.7 مم / 21.1 كجم

## مواصفات المنتج

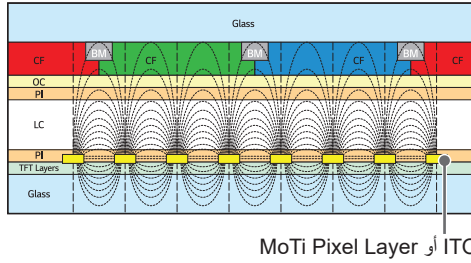
تخضع المعلومات والمواصفات كافة المتعلقة بالمنتج والواردة في هذا الدليل للتغيير من دون إشعار مسبق لتحسين أداء المنتج.

		•HDMI™ IN 3 ،HDMI™ IN 2 ،HDMI™ IN 1 ،USB 2.0 IN 2 ،USB 2.0 IN 1 ،LAN IN RS-232C OUT ،RS-232C IN ،AUDIO OUT ،IR&LIGHT SENSOR ،DP IN	منافذ الإدخال/الإخراج
	الاستبانة	الدقة الموصى بها الدقة القصوى	2160 x 3840 بتردد 60 هرتز (DisplayPort / HDMI1,2,3) - قد لا يكون هذا مدعوماً في بعض أنظمة التشغيل أو بعض أنواع بطاقات الرسومات.
	بطارية مضمّنة	متوفرة	
ظروف بيئة التشغيل	درجة حرارة التشغيل	من 0 إلى 40 درجة مئوية	
	نسبة رطوبة التشغيل	من 10 % إلى 80 % (شرط لمنع التكثيف)	
ظروف بيئة التخزين	درجة حرارة التخزين	من -20 إلى 60 درجة مئوية	
	نسبة الرطوبة في مكان التخزين	من 5 % إلى 85 % (شرط لمنع التكثيف) * شروط تخزين صندوق تغليف المنتج	

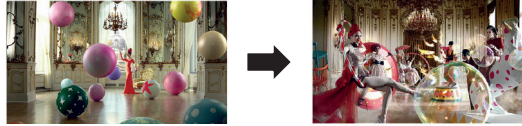
### ملاحظة !

• منفذ HDMI3 و DP لا يدعمان وظيفة التحكم في تنشيط DPM (وضع الاستعداد).

- حالة الاستخدام الموصى بها
- 1 قم بتغيير لون الخلفية ولون النص وفقًا لفواصل زمنية متساوية.
- يحدث تأثير ما بعد الصورة بدرجة أقل عندما تكون الألوان المتغيرة مكملة لبعضها البعض.



- 2 قم بتبديل الشاشة وفقًا لفترات زمنية متساوية.
- انتبه وتأكد من عدم ترك النص أو الصور الموجودة قبل تغيير الشاشة في نفس الموقع بعد تغيير الشاشة.



## التحكم في تنشيط DPM (وضع الاستعداد)

منفذ HDMI و DP لا يدعمان وظيفة التحكم في تنشيط DPM (وضع الاستعداد).

## احتياطات الاستخدام

### الأتربة

لن تغطي الكفالة أي ضرر قد يسببه استخدام المنتج في بيئة مليئة بالغبار بشكل مفرط.

### تأثير ما بعد الصورة

- يظهر طيف للصورة عند إيقاف تشغيل المنتج.  
- قد تتلف وحدات البكسل بسرعة إذا تم عرض صورة ثابتة على الشاشة لفترة طويلة من الوقت. استخدم وظيفة شاشة التوقف.  
- قد يؤدي التبديل من شاشة بها اختلافات عالية في الإضاءة (أسود وأبيض أو رمادي) إلى شاشة أعمق إلى ظهور تأثير ما بعد الصورة. هذا طبيعي بسبب خصائص عرض هذا المنتج.
- عندما تكون شاشة LCD في نمط ثابت لفترات طويلة من الاستخدام، فقد يحدث اختلاف طفيف في الجهد بين الأقطاب التي تشغل الكريستال السائل (LC). يزداد فرق الجهد بين الأقطاب الكهربائية بمرور الوقت ويميل إلى إبقاء الكريستال السائل في اتجاه واحد. في هذا الوقت، تبقى الصورة السابقة والتي تسمى تأثير ما بعد الصورة.
- لا يحدث تأثير ما بعد الصورة عند تغيير الصور باستمرار ولكن يحدث عند تثبيت شاشة معينة لمدة طويلة. فيما يلي توصيات تشغيلية لتقليل حدوث تأثير ما بعد الصورة عند استخدام شاشة ثابتة. الحد الأقصى للوقت الموصى به لتبديل الشاشة هو 12 ساعة. تُعد الدورات الأقصر هي الأفضل لمنع تأثير ما بعد الصورة.

### ⚠️ تنبيه

- افصل سلك الطاقة أولاً، ثم انقل الشاشة أو قم بتثبيتها. وإلا، فقد يؤدي ذلك إلى حدوث صدمة كهربائية.
- إذا تم تركيب جهاز العرض على سقف أو حائط مائل، قد يسقط ويتسبب في حدوث إصابة.
- قد يؤدي تلف جهاز العرض بسبب إحكام ربط البراغي بشدة إلى إبطال الضمان الخاص بك.
- استخدم البراغي والوواح التركيب على الحائط المتوافقة مع معايير VESA. لا يشمل ضمان هذا المنتج حالات الكسر أو الإصابة الشخصية الناتجة عن استخدام مكونات غير مناسبة أو سوء استخدامها.

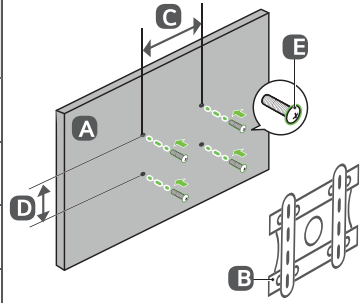
### ! ملاحظة

- قد يؤدي استخدام براغي يتعدى طولها العمق المحدد إلى إلحاق الضرر بالمنتج من الداخل. تأكد من استخدام مسامير ذات الطول الصحيح.
- لمزيد من المعلومات حول التثبيت، يُرجى مراجعة دليل المستخدم الخاص بالتركيب على الحائط.

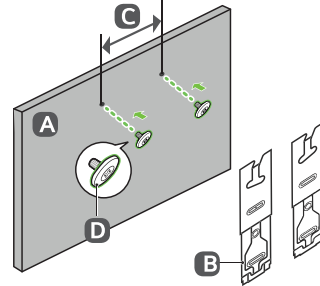
## حامل التركيب على الحائط

لتنصيب جهاز العرض على حائط، قم بوضع حامل التركيب على الحائط (اختياري) على الجهة الخلفية من جهاز العرض. انتبه وتأكد أن حامل التركيب على الحائط (اختياري) مثبت بإحكام بجهاز العرض والحائط. إن أبعاد VESA الخاصة بالتركيب على الحائط هي كما يلي.

<b>E</b> الطول (الحد الأقصى) (مم)	<b>E</b>	<b>D x C</b> (مم)	<b>B</b>	<b>A</b>
14	M6	200 x 200	LSW240*	43UH5Q-E 43UH7Q-E
14	M6	300 x 300	OLW480*	49UH5Q-E 49UH7Q-E 55UH5Q-E 55UH7Q-E 65UH5Q-E 65UH7Q-E



<b>D</b> الطول (الحد الأقصى) (مم)	<b>D</b>	<b>C</b> (مم)	<b>B</b>	<b>A</b>
14	M6	200	WB21LM*	43UH5Q-E 43UH7Q-E
14	M6	300	WB21LM*	49UH5Q-E 49UH7Q-E 55UH5Q-E 55UH7Q-E 65UH5Q-E 65UH7Q-E



## موقع التثبيت

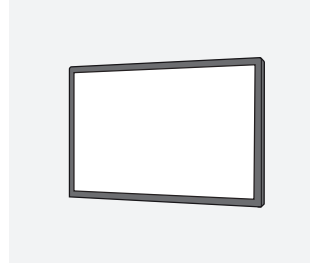
نحن غير مسؤولين عن تلف المنتج الناتج عن عدم اتباع الدليل.

### في الداخل

#### التثبيت على حائط

- A : 13 مم أو أكثر
- لن يغطي الضمان أي ضرر قد يسببه استخدام المنتج في ضوء الشمس المباشر على اللوحة الأمامية.
  - اترك مساحة كافية حول المنتج حتى لا تُسد فتحات التهوية الخاصة به.

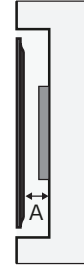
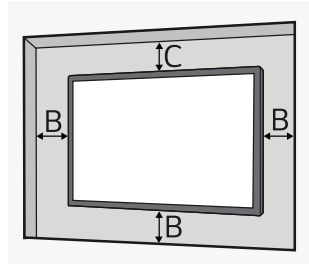
13 مم (حامل تثبيت على الحائط بتصميم رفيع، اختياري)  
26 مم (حامل تثبيت على الحائط بتصميم عادي، اختياري)



التثبيت على حائط

#### التثبيت على حائط مجوف

- A : 13 مم أو أكثر  
B : 50 مم أو أكثر  
C : 70 مم أو أكثر
- لن يغطي الضمان أي ضرر قد يسببه استخدام المنتج في ضوء الشمس المباشر على اللوحة الأمامية.



### في الخارج

#### مكان مغلق في الخارج



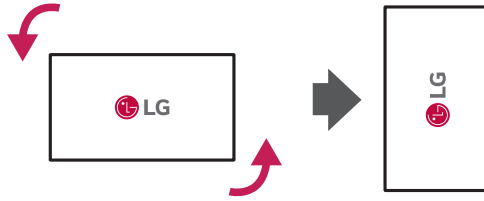
## الفحص قبل التثبيت

نحن غير مسؤولين عن تلف المنتج الناتج عن عدم اتباع الدليل.

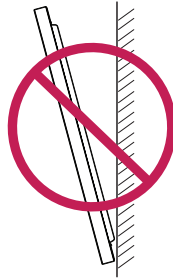
### اتجاه التثبيت

#### الاستخدام الرأسي

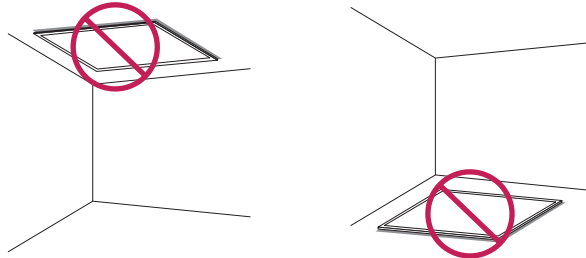
عند التثبيت رأسيًا، قم بتدوير جهاز العرض بزاوية 90 درجة في عكس اتجاه عقارب الساعة أثناء مواجهة الجهة الأمامية من الشاشة.



#### زاوية مانعة

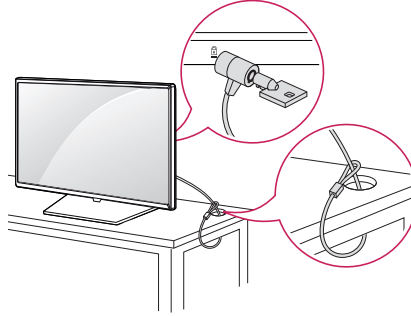


#### اتجاه السقف، الأرض



## جهاز قفل Kensington

(تنطبق هذه الميزة على بعض الطرازات فقط.)  
يمكن العثور على موصل جهاز قفل Kensington في الجهة الخلفية من جهاز العرض. للحصول على مزيد من المعلومات عن التثبيت والاستخدام، راجع دليل المستخدم المرفق مع جهاز الإغلاق.  
قم بتوصيل كابل نظام أمان Kensington بين شاشة والبطانة.



العرضية

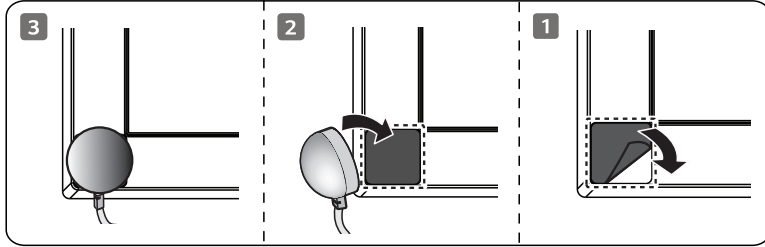
### ملاحظة !

- بعد جهاز قفل Kensington من المواصفات الاختيارية.
- هذا رسم توضيحي عام للتثبيت وقد يبدو مختلفًا عن المنتج الذي مع العميل.

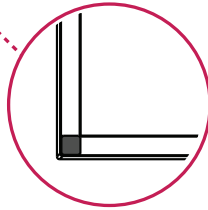
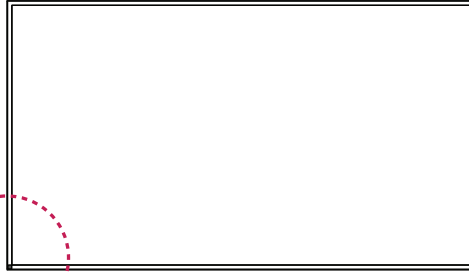
## استخدام جهاز استقبال الأشعة تحت الحمراء

لتحسين أداء جهاز استقبال الأشعة تحت الحمراء أو استخدام مُستشعر الضوء، وصّل جهاز استقبال أشعة تحت حمراء خارجي (مُلقح اختياري) بالمنتج IR&LIGHT SENSOR.

إنّ جهاز استقبال الأشعة تحت الحمراء مصنوع من المغناطيس. قم بتوصيل الرقاقة المغناطيسية بالموضع المطلوب على المنتج. يُوصى بتوصيلها بالموقع الموضح في الشكل أدناه.

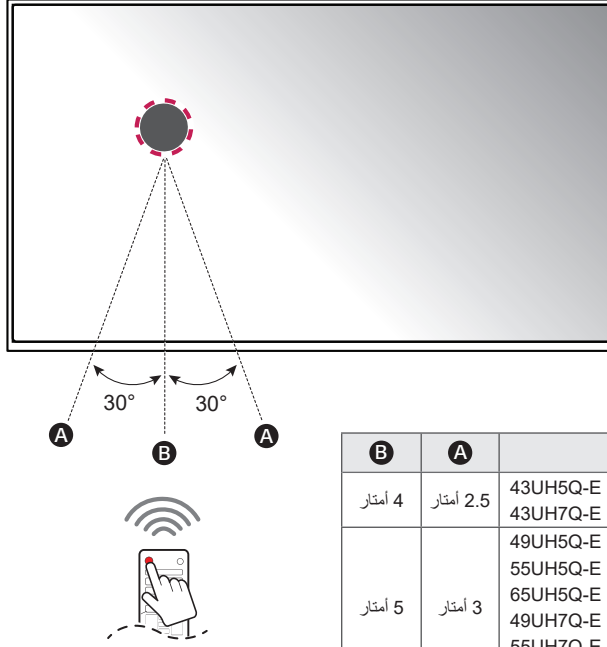


الخيارية



## يوجد مُستشعر الأشعة تحت الحمراء بداخل المنتج

استخدم الريموت من على مسافة تتراوح بين 3 إلى 5 أمتار من مُستشعر المنتج وبزاوية 30 درجة إلى اليسار واليمين.  
(43UH7Q-E، 43UH5Q-E: 2.5 إلى 4 أمتار)



B	A	
4 أمتار	2.5 أمتار	43UH5Q-E 43UH7Q-E
5 أمتار	3 أمتار	49UH5Q-E 55UH5Q-E 65UH5Q-E 49UH7Q-E 55UH7Q-E 65UH7Q-E

## الاستعداد

### الملحقات الاختيارية

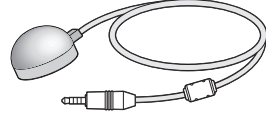
تخضع الملحقات الاختيارية للتغيير، من دون إشعار مسبق، وذلك لتحسين أداء المنتج، كما يمكن إضافة ملحقات جديدة. قد تختلف الرسوم التوضيحية الواردة في هذا الدليل عن المنتج والملحقات الفعلية.

ACC-L

البريد



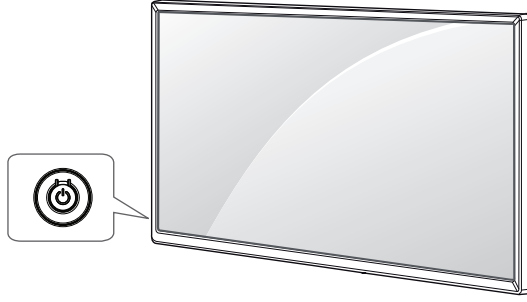
لوح مغناطيسي



جهاز استقبال الأشعة تحت الحمراء

## التعرف على الأزرار

قد تختلف الرسوم التوضيحية وفقاً للطراز.



العربية

تشغيل الطاقة (اضغط على الزر عندما يكون جهاز العرض قيد الإيقاف).  
إيقاف التشغيل (اضغط على الزر عندما يكون جهاز العرض قيد التشغيل).



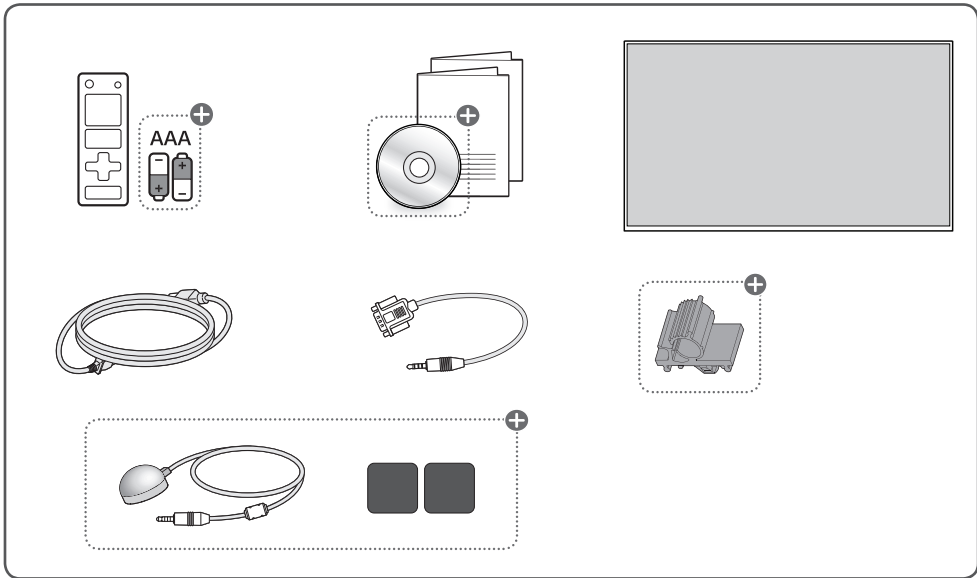
تحذير - هذا المنتج غير مخصص للاستخدام المنزلي.

## الأساسيات

### ملاحظة !

- قد تختلف الملحقات المتوفرة مع المنتج وفقاً للطراز أو المنطقة.
- قد تتغير مواصفات المنتج أو المحتويات في هذا الدليل من دون إشعار مسبق نتيجة لترقية وظائف المنتج.
- برنامج SuperSign والدليل -  
- قم بزيارة الموقع <https://partner.lge.com> لتنزيل أحدث إصدار من برنامج SuperSign والدليل.

### التحقق من الملحقات



+ بحسب البلد.

## جدول المحتويات

### 3 ..... الأساسيات

- 3..... التحقق من الملحقات.
- 4..... التعرف على الأزرار.

### 5 ..... الاستعداد

- 5..... الملحقات الاختيارية.
- 6..... يوجد مُستشعر الأشعة تحت الحمراء بداخل المنتج.
- 7..... استخدام جهاز استقبال الأشعة تحت الحمراء.
- 8..... جهاز قفل Kensington.

### 9 ..... الفحص قبل التثبيت

- 9..... اتجاه التثبيت.
- 10..... موقع التثبيت.
- 11..... حامل التركيب على الحائط.

### 13 ..... احتياطات الاستخدام

- 13..... الأتربة.
- 13..... تأثير ما بعد الصورة.
- 14..... التحكم في تنشيط DPM (وضع الاستعداد).

### 15 ..... مواصفات المنتج

### 20 ..... ترخيص

### لمراجعة دليل مستعمل الواب

### (دليل المستخدم للمنظومة/ دليل التثبيت)

### 21 .....



دليل المالك

# شاشة العرض الرقمية من LG

(جهاز العرض)

يُرجى قراءة دليل المستخدم قبل استخدام هذا المنتج لضمان الاستخدام الآمن والسهل.

43UH7Q-E	43UH5Q-E
49UH7Q-E	49UH5Q-E
55UH7Q-E	55UH5Q-E
65UH7Q-E	65UH5Q-E

[www.lg.com](http://www.lg.com)

حقوق النشر والتأليف © لعام 2025 لـ LG Electronics Inc. جميع الحقوق محفوظة.