



ENGLISH

Easy Setup Guide

Please read this manual carefully before operating your set and retain it for future reference.

ESPAÑOL

Guía Rápida de Configuración

Lea atentamente este manual antes de poner en marcha el equipo y consérvelo para futuras consultas.

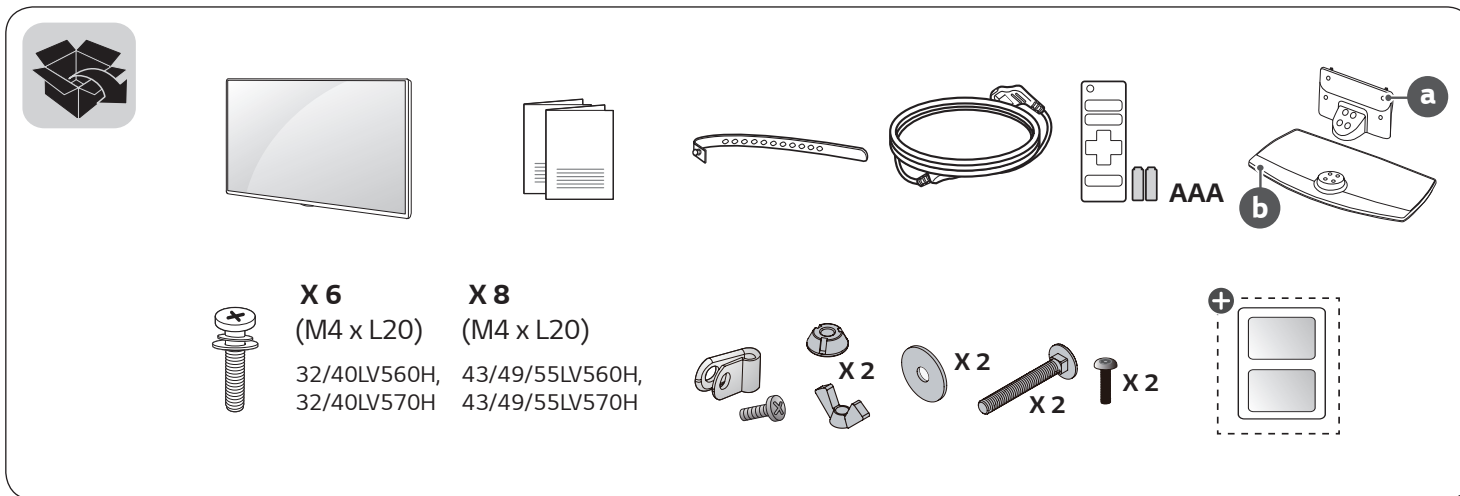
FRANÇAIS

Guide de configuration rapide

Avant d'utiliser l'appareil, veuillez lire attentivement ce manuel et le conserver pour pouvoir vous y reporter ultérieurement.

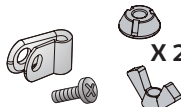
LED TV

32LV560H	32LV570H
40LV560H	40LV570H
43LV560H	43LV570H
49LV560H	49LV570H
55LV560H	55LV570H



X 6
(M4 x L20)
32/40LV560H,
32/40LV570H

X 8
(M4 x L20)
43/49/55LV560H,
43/49/55LV570H



X 2



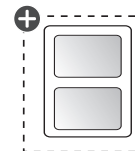
X 2



X 2



X 2



⊕ : Depending upon model / Según el modelo / Selon le modèle



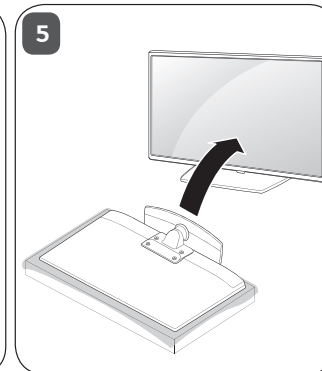
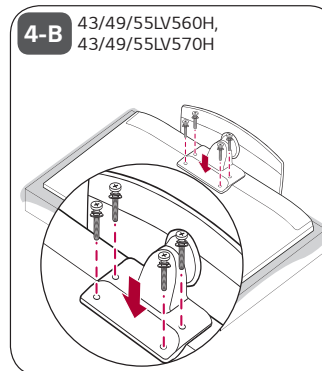
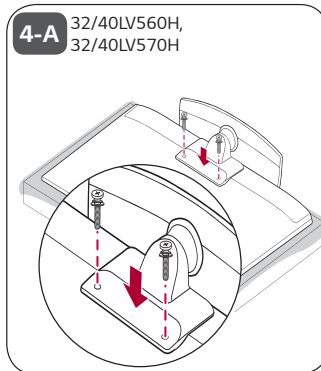
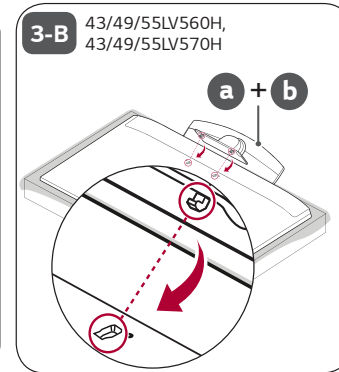
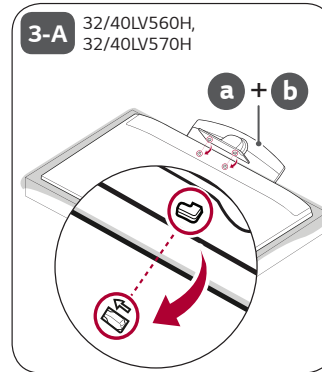
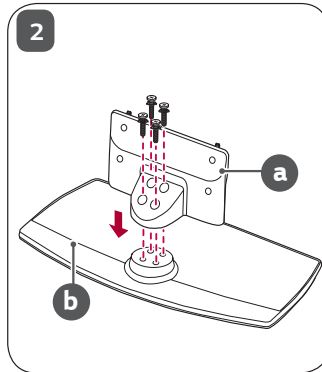
www.lg.com

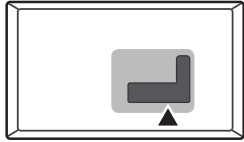
P/No: MFL69843818 (1901-REV02)

Printed in Korea

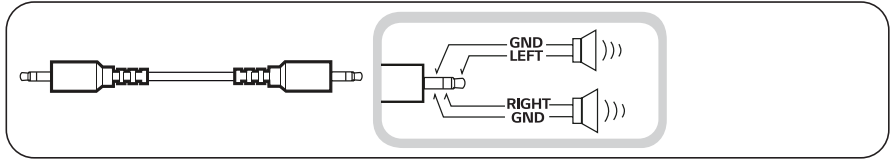


ENGLISH Read **Safety & Reference**.
ESPAÑOL Leer **Seguridad y Consultas**.
FRANÇAIS Lisez **Sécurité et références**.

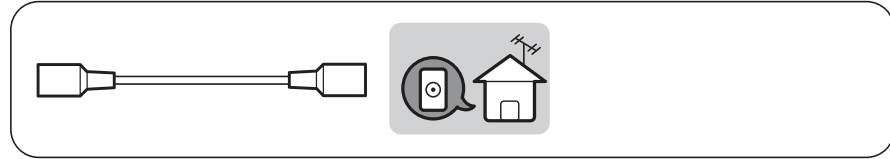




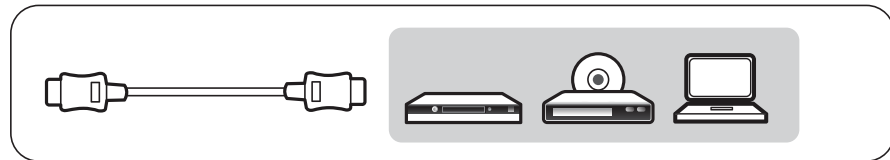
**SPEAKER OUT
LINE OUT**

A circular speaker port icon.

**ANTENNA/
CABLE IN**

A circular antenna or cable port icon.

HDMI IN

A rectangular HDMI port icon.

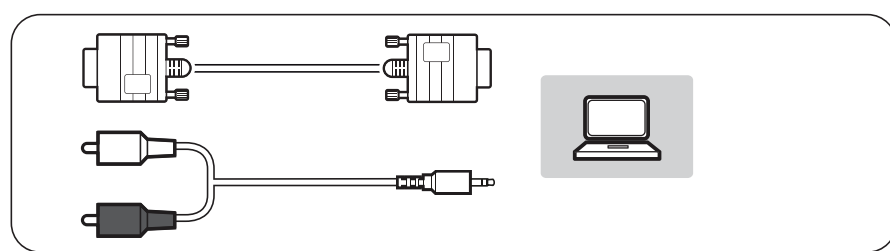
USB IN

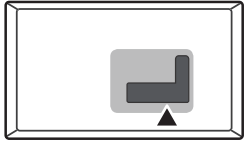
A rectangular USB port icon.

RGB IN (PC)

A D-sub 15-pin RGB port icon.

L/MONO AUDIO R

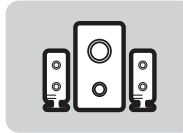
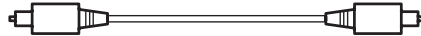
Two circular audio ports, one labeled 'L/MONO' and the other 'R'.



LAN



OPTICAL DIGITAL
AUDIO OUT

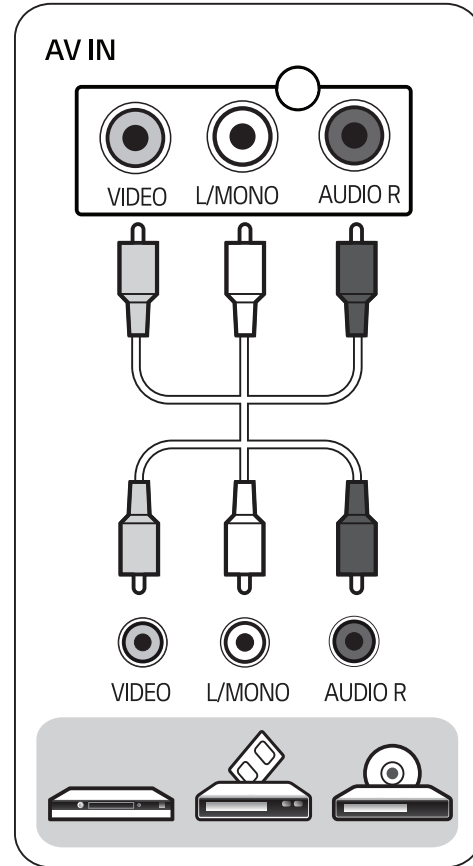
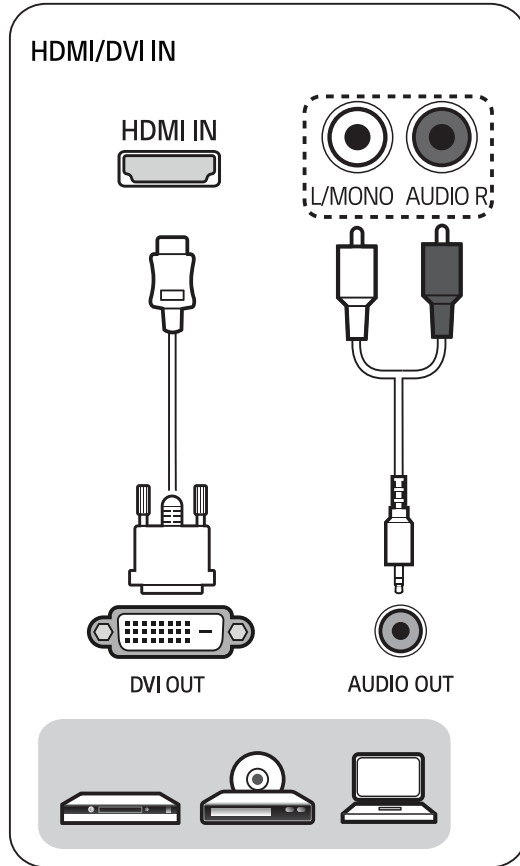
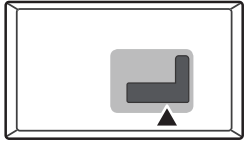


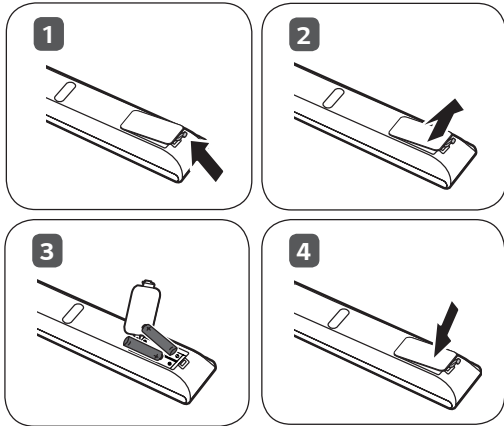
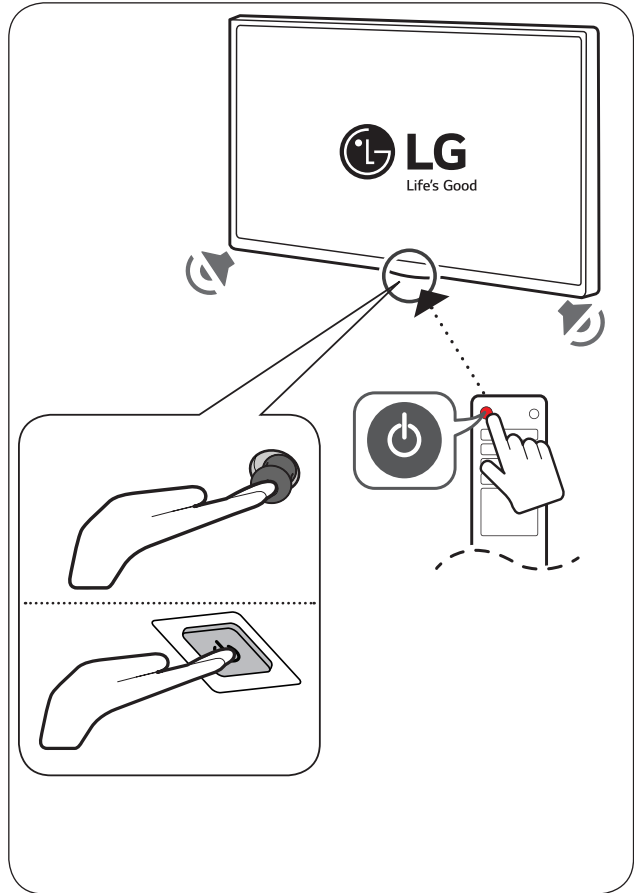
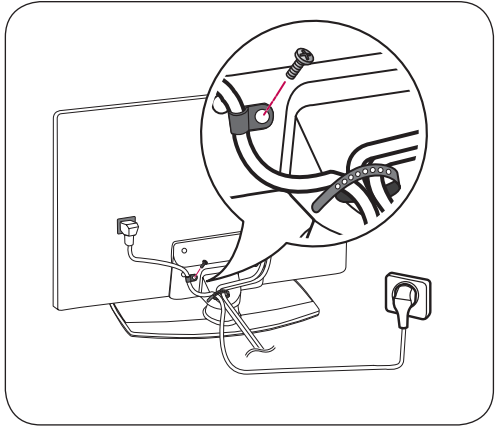
+
GAME CONTROL
/ M.P.I.

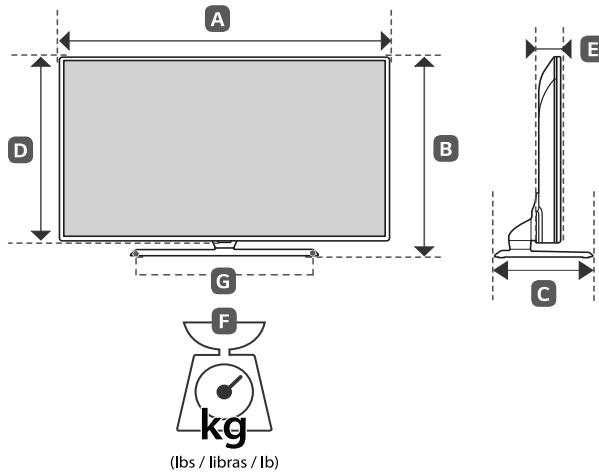


+
RJP Use Only









A, B, C, D, E : mm (inches/pulgadas/po)
F, G : kg (lbs/libras/lb)

MODELS MODELOS MODÈLES	A		B		C		D		E		F		F - G		Current value / Power consumption	
															Corriente de consumo / Consumo de potencia	
															Valeur courante / Consommation électrique	
32LV560H-UA 32LV570H-UA	739 (29)	739 (29)	495 (19,4)	495 (19,4)	241 (9,4)	241 (9,4)	441 (17,3)	441 (17,3)	84 (3,3)	84 (3,3)	6,05 (13,3)	6,05 (13,3)	4,85 (10,6)	4,85 (10,6)	1,0 A / 60 W	1,0 A / 60 W
40LV560H-UA 40LV570H-UA	911 (35,8)	911 (35,8)	576 (22,6)	576 (22,6)	241 (9,4)	241 (9,4)	528 (20,7)	528 (20,7)	55,3 (2,1)	55,3 (2,1)	8,7 (19,1)	8,7 (19,1)	7,5 (16,5)	7,5 (16,5)	0,9 A / 90 W	0,9 A / 90 W
43LV560H-UA 43LV570H-UA	974 (38,3)	974 (38,3)	625 (24,6)	625 (24,6)	303 (11,9)	303 (11,9)	571 (22,4)	571 (22,4)	79,4 (3,1)	79,4 (3,1)	12,45 (27,4)	12,45 (27,4)	9,2 (20,2)	9,2 (20,2)	0,9 A / 90 W	0,9 A / 90 W
49LV560H-UA 49LV570H-UA	1,107 (43,5)	1 107 (43,5)	702 (27,6)	702 (27,6)	303 (11,9)	303 (11,9)	645 (25,3)	645 (25,3)	79,4 (3,1)	79,4 (3,1)	14,55 (32)	14,55 (32)	11,3 (24,9)	11,3 (24,9)	1,0 A / 100 W	1,0 A / 100 W
55LV560H-UA 55LV570H-UA	1,241 (48,8)	1 241 (48,8)	770 (30,3)	770 (30,3)	303 (11,9)	303 (11,9)	720 (28,3)	720 (28,3)	63,0 (2,4)	63,0 (2,4)	19,5 (42,9)	19,5 (42,9)	16,3 (35,9)	16,3 (35,9)	1,25 A / 125 W	1,25 A / 125 W
Power requirement / Alimentación requerida / Alimentation									AC 100 - 240 V - 50 / 60 Hz							

* M F L 6 9 8 4 3 8 1 8 *





OWNER'S MANUAL Safety and Reference

LED TV*
* LG LED TVs are LCD TVs with LED backlighting.

Please read this manual carefully before operating your TV and retain it for future reference.

32LV560H	43LV560H	55LV560H
32LV570H	43LV570H	55LV570H
40LV560H	49LV560H	65LV570H
40LV570H	49LV570H	




www.lg.com
P/NO : MFL69885518 (1708-REV03)
Copyright © 2017 LG Electronics Inc. All Rights Reserved.
Printed in Korea


Warning! Important Safety instructions

Read these instructions. Keep these instructions. Heed all warnings. Follow all instructions.



CAUTION: TO REDUCE THE RISK OF ELECTRIC SHOCK DO NOT REMOVE COVER (OR BACK). NO USER SERVICEABLE PARTS INSIDE. REFER TO QUALIFIED SERVICE PERSONNEL.

 The symbol is intended to alert the user to the presence of uninsulated dangerous voltage within the product's enclosure that may be of sufficient magnitude to constitute a risk of electric shock to persons.

 The symbol is intended to alert the user to the presence of important operating and maintenance (servicing) instructions in the literature accompanying the device.

WARNING: TO REDUCE THE RISK OF FIRE AND ELECTRIC SHOCK, DO NOT EXPOSE THIS PRODUCT TO RAIN OR MOISTURE.

- Do not use this apparatus near water.
- Clean only with dry cloth.
- Do not block any ventilation openings. Install in accordance with the manufacturer's instructions.
- Do not install near any heat sources such as radiators, heat registers, stoves, or other apparatus (including amplifiers) that produce heat.
- Do not defeat the safety purpose of the polarized or grounding-type plug. A polarized plug has two blades with one wider than the other. A grounding type plug has two blades and a third grounding prong. The wide blade or the third prong are provided for your safety. If the provided plug does not fit into your outlet, consult an electrician for replacement of the obsolete outlet.
- Protect the power cord from being walked on or pinched particularly at plugs, convenience receptacles, and the point where they exit from the apparatus.

- Only use attachments/accessories specified by the manufacturer.
- Use only with the cart, stand, tripod, bracket, or table specified by the manufacturer, or sold with the apparatus. When a cart is used, use caution when moving the cart/apparatus combination to avoid injury from tip-over.



- Unplug this apparatus during lightning storms or when unused for long periods of time.
- Refer all servicing to qualified service personnel. Servicing is required when the apparatus has been damaged in any way, such as power-supply cord or plug is damaged, liquid has been spilled or objects have fallen into the apparatus, the apparatus has been exposed to rain or moisture, does not operate normally, or has been dropped.
- Do not press strongly upon the panel with a hand or a sharp object such as a nail, pencil, or pen, or make a scratch on it.
- Do not stick metal objects or any other conductive material into the power cord. Do not touch the end of the power cord while it is plugged in.
- Keep the packing anti-moisture material or vinyl packing out of the reach of children. Anti-moisture material is harmful if swallowed. If swallowed, induce vomiting and go to the nearest hospital. Additionally, vinyl packing can cause suffocation. Keep it out of the reach of children.
- Concerning the Power Cord (Can differ by country): Check the specification page of this owner's manual to be certain concerning current requirements. Do not connect too many devices to the same AC power outlet as this could result in fire or electric shock. Do not overload wall outlets. Overloaded wall outlets, loose or damaged wall outlets, extension cords, frayed power cords, or damaged or cracked wire insulation are dangerous. Any of these conditions could result in electric shock or fire. Periodically examine the cord of your device, and if its appearance indicates damage or deterioration, unplug it, discontinue use of the device, and have the cord replaced with an exact replacement part by an authorized servicer. Protect the power cord from physical or mechanical abuse, such as being twisted, kinked, pinched, closed in a door, or walked upon. Pay

particular attention to plugs, wall outlets, and the point where the cord exits the device. Do not move the TV with the power cord plugged in. Do not use a damaged or loose power cord. Be sure to grasp the plug when unplugging the power cord. Do not pull on the power cord to unplug the TV.

- To reduce the risk of fire or electrical shock, do not expose this product to rain, moisture or other liquids. Do not touch the TV with wet hands. Do not install this product near flammable objects such as gasoline or candles, or expose the TV to direct air conditioning.
- Do not use high voltage electrical equipment near the TV (e.g., a bug zapper). This may result in product malfunction.
- Do not expose to dripping or splashing and do not place objects filled with liquids, such as vases, cups, etc. on or over the apparatus (e.g., on shelves above the unit).
- **Grounding** (Except for devices which are not grounded.) Ensure that you connect the earth ground wire to prevent possible electric shock (i.e., a TV with a three-prong grounded AC plug must be connected to a three-prong grounded AC outlet). If grounding methods are not possible, have a qualified electrician install a separate circuit breaker. Do not try to ground the unit by connecting it to telephone wires, lightning rods, or gas pipes.
- As long as this unit is connected to the AC wall outlet, it is not disconnected from the AC power source even if the unit is turned off.
- Do not attempt to modify this product in any way without written authorization from LG Electronics. Unauthorized modification could void the user's authority to operate this product.
- **Outdoor Antenna Grounding** (Can differ by country): If an outdoor antenna is installed, follow the precautions below. An outdoor antenna system should not be located in the vicinity of overhead power lines or other electric light or power circuits, or where it can come in contact with such power lines or circuits as death or serious injury can occur. Be sure the antenna system is grounded to provide some protection against voltage surges and built-up static charges. Section 810 of the National Electrical Code (NEC) in the U.S.A. provides information with respect to proper grounding of the mast

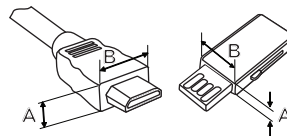
and supporting structure, grounding of the lead-in wire to an antenna discharge unit, size of grounding conductors, location of antenna discharge unit, connection to grounding electrodes and requirements for the grounding electrode. **Antenna grounding according to the National Electrical Code, ANSI/NFPA 70**

- **Moving** Make sure the product is turned off, unplugged, and all cables have been removed. It may take 2 or more people to carry larger TVs. Do not press or put stress on the front panel of the TV.
- **Ventilation** Install your TV where there is proper ventilation. Do not install in a confined space such as a bookcase. Do not cover the product with cloth or other materials while plugged. Do not install in excessively dusty places.
- Take care not to touch the ventilation openings. When watching the TV for a long period, the ventilation openings may become hot. This does not affect the performance of the product or cause defects in the product.
- If you smell smoke or other odors coming from the TV, unplug the power cord and contact an authorized service center.
- If water or another substance enters the product (like an AC adapter, power cord, or TV), disconnect the power cord and contact the service center immediately. Otherwise, this may result in fire or electric shock.
- Do not install this product on a wall if it could be exposed to oil or oil mist. This may damage the product and cause it to fall.
- Use only an authorized AC adapter and power cord approved by LG Electronics. Otherwise, this may result in fire, electric shock, malfunction, or product deformation.
- Never disassemble the AC adapter or power cord. This may result in fire or electric shock.
- Handle the adapter carefully to avoid dropping or striking it. An impact could damage the adapter.

- Keep the product away from direct sunlight.
- Never touch this apparatus or antenna during a lightning storm.
- When mounting a TV on the wall, make sure not to install the TV by hanging the power and signal cables on the back of the TV.
- Do not allow an impact shock, any objects to fall into the product, and do not drop anything onto the screen.
- **DISCONNECTING THE DEVICE FROM THE MAIN POWER** The power plug is the disconnecting device. In case of an emergency, the power plug must remain readily accessible.
- Make sure the power cord is connected securely to the power plug on the TV.
- **Batteries** Store the accessories (battery, etc.) in a safe location out of the reach of children.
- This apparatus uses batteries. In your community there might be regulations that require you to dispose of these batteries properly due to environmental considerations. Please contact your local authorities for disposal or recycling information.
- Do not dispose of batteries in a fire.
- Do not short circuit, disassemble, or allow the batteries to overheat.
- **Cleaning** When cleaning, unplug the power cord and wipe gently with a soft cloth to prevent scratching. Do not spray water or other liquids directly on the TV as electric shock may occur. Do not clean with chemicals such as alcohol, thinners, or benzene.

Preparing

- Image shown may differ from your TV.
- Your TV's OSD (On Screen Display) may differ slightly from that shown in this manual.
- The available menus and options may differ from the input source or product model that you are using.
- New features may be added to this TV in the future.
- The items supplied with your product may vary depending upon the model.
- Product specifications or contents of this manual may be changed without prior notice due to upgrade of product functions.
- For an optimal connection, HDMI cables and USB devices should have bezels less than 10 mm (0.39 inches) thick and 18 mm (0.7 inches) width.
- Use an extension cable that supports USB 2.0 if the USB cable or USB flash drive does not fit into your TV's USB port.
- Use a certified cable with the HDMI logo attached. If you do not use a certified HDMI cable, the screen may not display or a connection error may occur.
- Recommended HDMI cable types (3m or less)
 - High-Speed HDMI®/™ cable
 - High-Speed HDMI®/™ cable with Ethernet



*A ≤ 10 mm (0.39 inches)

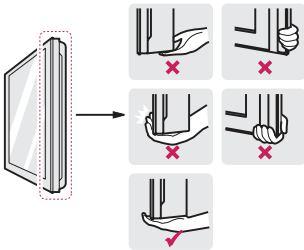
*B ≤ 18 mm (0.7 inches)

- Do not use any unapproved items to ensure the safety and lifespan of the product.
- Any damages or injuries by using unapproved items are not covered by the warranty.
- Some models appear to have a thin film on the screen. It is actually part of the screen; do not remove it.
- When attaching the stand to the TV set, place the screen facing down on a cushioned table or flat surface to protect the screen from scratches.
- Make sure that the screws are fastened tightly. (If they are not fastened securely enough, the TV may tilt forward after being installed.)
- Do not fasten the screws with excessive force otherwise they may be worn out and become loose.

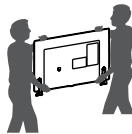
Lifting and Moving the TV

When moving or lifting the TV, read the following to prevent the TV from being scratched or damaged and for safe transportation regardless of its type and size.

- It is recommended to move the TV in the box or packing material that the TV originally came in.
- Before moving or lifting the TV, disconnect the power cord and all cables.
- When holding the TV, the screen should face away from you to avoid damage.
- Hold the top and bottom of the TV frame firmly. Make sure not to hold the transparent part, speaker, or speaker grille area.



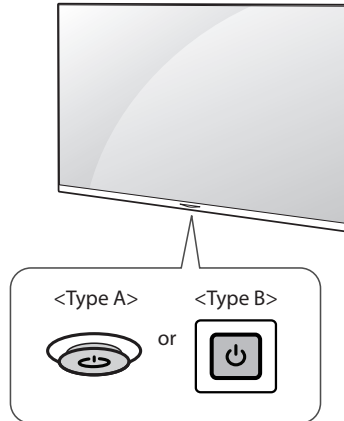
- Use at least two people to move a large TV.
- When transporting the TV by hand, hold the TV as shown in the following illustration.
- When transporting the TV, do not expose the TV to jolts or excessive vibration.
- When transporting the TV, keep the TV upright; never turn the TV on its side or tilt towards the left or right.
- When handling the TV, be careful not to damage the protruding buttons.



- Avoid touching the screen at all times, as this may result in damage to the screen.
- Do not place the product on the floor with its front facing down without padding. Failure to do so may result in damage to the screen.
- Do not move the TV by holding the cable holders, as the cable holders may break, and injuries and damage to the TV may occur. (Depending upon model)

Using the Button

You can operate the TV functions, using the button.



Basic Functions

(Type A)

	Power On (Press) Power Off ¹ (Press and Hold)
	Volume Control
	Channels Control

(Type B)

	Power On / Off (Press)
--	------------------------

¹ If the menu button is on the screen, pressing and holding the joystick button will let you exit the menu.

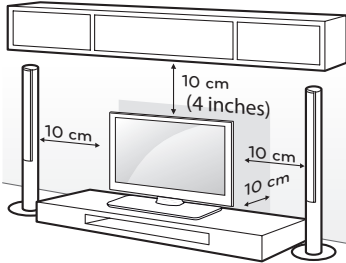
Adjusting the Menu

When the TV is turned on, press the button one time. You can adjust the Menu items using the button. (Depending upon model)

	Turns the power off.
	Accesses the setting menu.
	Clears on-screen displays and returns to TV viewing.
	Changes the input source.

Mounting on a Table

- Lift and tilt the TV into its upright position on a table.
 - Leave a 10 cm (4 inches) (minimum) space from the wall for proper ventilation.



- Connect the power cord to a wall outlet.

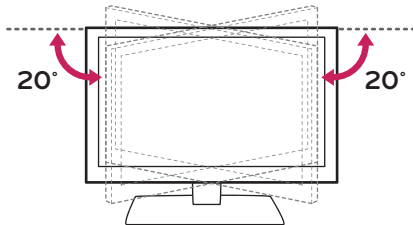


- Do not place the TV near or on sources of heat, as this may result in fire or other damage.
- Do not apply foreign substances (oils, lubricants, etc.) to the screw parts when assembling the product. (Doing so may damage the product.)

Adjusting the Angle of the TV to Suit View

(Depending upon model)

Swivel 20 degrees to the left or right and adjust the angle of the TV to suit your view.



- When adjusting the angle of the TV, watch out for your fingers.
 - Personal injury may occur if hands or fingers are pinched. If the product is tilted too much, it may fall, causing damage or injury.

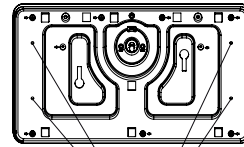
Attaching the TV to a desk

(Depending upon model)

If mounting the TV on a table, make sure it is installed according to the method outlined in 'Attaching the TV to a desk'.

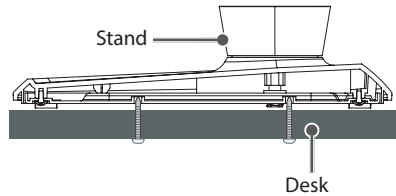
The TV should be attached to a desk so it cannot be pulled in a forward/backward direction, potentially causing injury or damaging the product.

[TYPE 1-1]

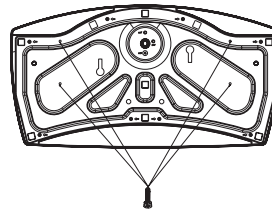


4-Screws

(Not provided as parts of the product.)

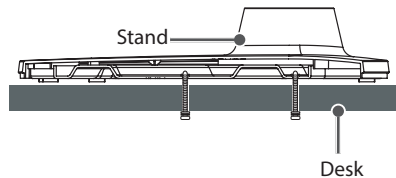


[TYPE 1-2]

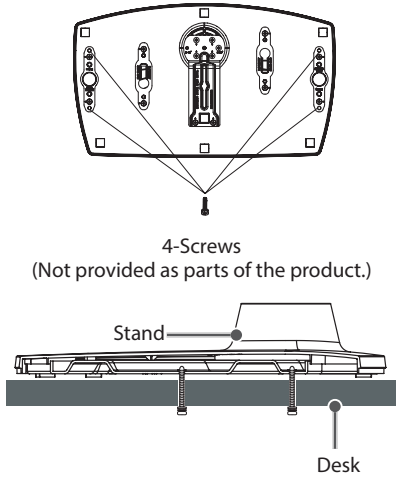


4-Screws

(Not provided as parts of the product.)

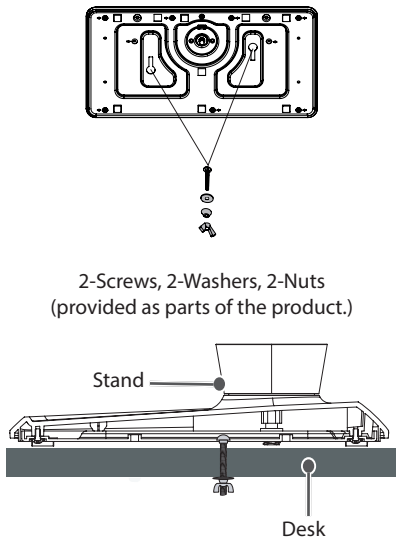


[TYPE 1-3]

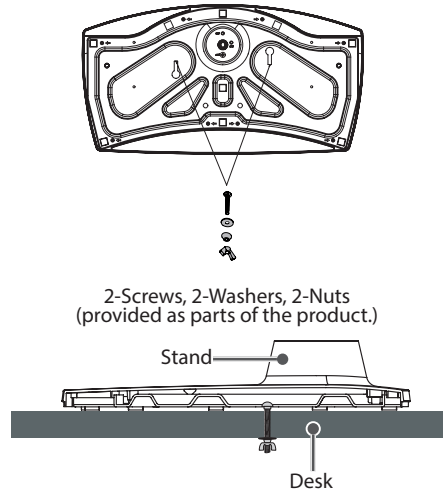


- ⚠ • Screw: M5 x L (*L: Table depth + 8~10 mm)
ex) Table depth: 15 mm, Screw: M5 x L25

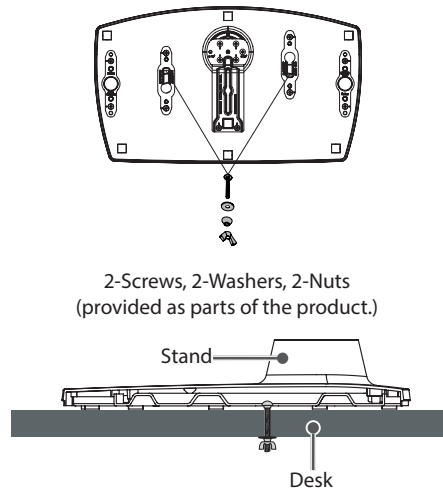
[TYPE 2-1]



[TYPE 2-2]



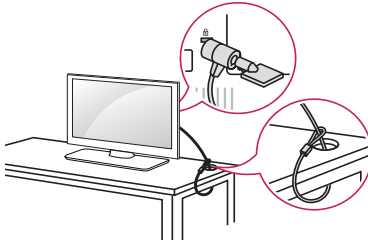
[TYPE 2-3]



Using the Kensington security system

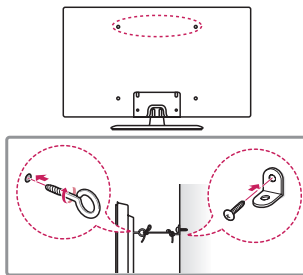
(Depending upon model)

The Kensington security system connector is located at the rear of the TV. For more information of installation and using, refer to the manual provided with the Kensington security system or visit <http://www.kensington.com>. Connect the Kensington security system cable between the TV and a table.



Securing the TV to a Wall (optional)

(Depending upon model)



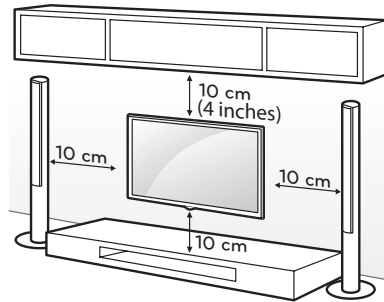
- 1 Insert and tighten the eye-bolts or TV brackets and bolts on the back of the TV.
 - If there are bolts inserted at the eye-bolts position, remove the bolts first.
- 2 Mount the wall brackets with the bolts to the wall. Match the location of the wall bracket and the eye-bolts on the rear of the TV.
- 3 Connect the eye-bolts and wall brackets tightly with a sturdy rope or cable. Make sure to keep the rope parallel to the flat surface.



- Make sure that children do not climb on or hang on the TV.
- Use a platform or cabinet that is strong and large enough to support the TV securely.
- Brackets, bolts, and ropes are optional. You can obtain additional accessories from your local dealer.

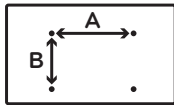
Mounting on a Wall

An optional wall mount can be used with your LG Television. Consult with your local dealer for a wall mount that supports the VESA standard used by your TV model. Carefully attach the wall mount bracket at the rear of the TV. Install the wall mount bracket on a solid wall perpendicular to the floor. If you are attaching the TV to other building materials, please contact qualified personnel to install the wall mount. Detailed instructions will be included with the wall mount. We recommend that you use an LG brand wall mount. The LG wall mount is easy to adjust or to connect the cables. When you do not use LG's wall mount bracket, use a wall mount bracket where the device is adequately secured to the wall with enough space to allow connectivity to external devices. If you are using a non-adjustable mount, attach the mount to the wall. Attach the cables to the TV first, then attach the TV to the mount.



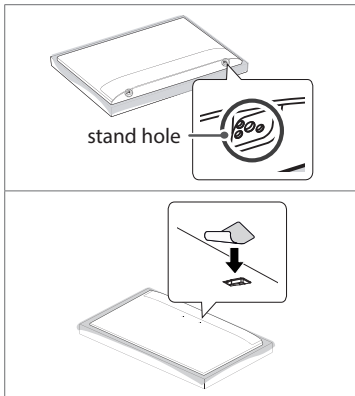
Make sure to use screws and wall mounts that meet the VESA standard. Standard dimensions for the wall mount kits are described in the following table.

Model	32LV560H	49LV560H	65LV570H
	32LV570H	49LV570H	
	40LV560H	55LV560H	
	40LV570H	55LV570H	
	43LV560H		
	43LV570H		
VESA (A x B)	200 x 200	300 x 300	300 x 300
Standard screw	M6	M6	M6
Number of screws	4	4	4
Wall mount bracket (optional)	LSW240B MSW240	LSW350B MSW240	LSW350B



- Remove the stand before installing the TV on a wall mount by performing the stand attachment in reverse.

- When using the wall mount, it is recommended that you apply a piece of tape over the Stand holes to prevent dust and bugs from entering the holes. (Depending upon model)



Connections (Notifications)

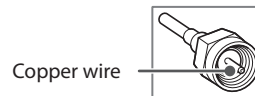
You can connect various external devices to the TV. Supported external devices are: HD receivers, DVD players, VCRs, audio systems, USB storage devices, PC, gaming devices, and other external devices. For more information on external device's connection, refer to the manual provided with each device.

- If you record a TV program on a DVD recorder or VCR, make sure to connect the TV signal input cable to the TV through a DVD recorder or VCR. For more information about recording, refer to the manual provided with the connected device.
- The external device connections shown may differ slightly from illustrations in a manual.
- Connect external devices to the TV regardless about the order of the TV port. If you connect a gaming device to the TV, use the cable supplied with the gaming device.
- If you connect a gaming device to the TV, use the cable supplied with the gaming device.
- Refer to the external equipment's manual for operating instructions.
- In PC mode, there may be noise associated with the resolution, vertical pattern, contrast or brightness. If noise is present, change the PC output to another resolution, change the refresh rate to another rate or adjust the brightness and contrast on the **PICTURE** menu until the picture is clear.
- When connecting via a wired LAN, it is recommended to use a CAT 7 cable. (Depending upon model)

Connecting to an Antenna or Cable

Connect an antenna, cable, or cable box to watch TV while referring to the following. The illustrations may differ from the actual items and an RF cable is optional.

- Make sure not to bend the copper wire of the RF cable.



- Complete all connections between devices, and then connect the power cord to the power outlet to prevent damage to your TV.
- Use a signal splitter to use 2 TVs or more.
- DTV Audio Supported Codec: MPEG, Dolby Digital.

Other Connections

Connect your TV to external devices. For the best picture and audio quality, connect the external device and the TV with the HDMI cable.

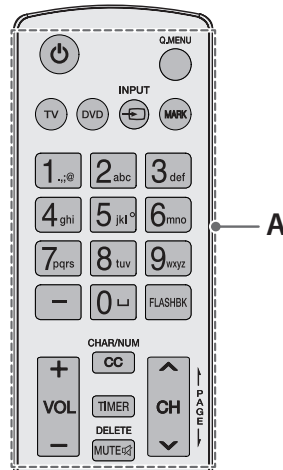
- HDMI Audio Supported Format: Dolby Digital (32 kHz / 44.1 kHz / 48 kHz), PCM (32 kHz / 44.1 kHz / 48 kHz / 96 kHz / 192 kHz) (Depending on model)
- Use only with the 3 pole 3.5 mm stereo jack.
- Do not connect your headphones or earphones to the port for connecting an external speaker.

Remote Control

(Some buttons and services may not be provided depending upon models or regions.)

The descriptions in this manual are based on the buttons on the remote control. Please read this manual carefully and use the TV correctly.

To install batteries, open the battery cover, replace batteries (1.5 V AAA) matching the ⊕ and ⊖ ends to the label inside the compartment, and close the battery cover. Failure to match the correct polarities of the battery may cause the battery to burst or leak, resulting in fire, personal injury, or ambient pollution. To remove the batteries, perform the installation actions in reverse. This remote uses infrared light. When in use, it should be pointed in the direction of the TV's remote sensor.



A

⏻ (Power) Turns the TV on or off.

Q.MENU Not functional.

TV Selects the remote's operating mode: TV.

DVD Selects the remote's operating mode: DVD.

INPUT Changes the input source.

MARK Not functional.

Number button Enters numbers. Also supports characters.

- (Dash) Inserts a dash between numbers such as 2-1 and 2-2.

FLASHBK Tunes to the last channel or input viewed.

+ VOL - Adjusts the volume level.

CHAR/NUM Switches between Letter and Number input modes.

CC Selects a closed caption.

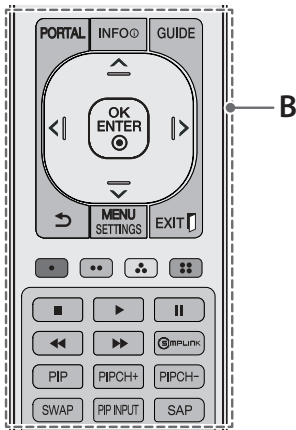
TIMER Turns the TV off in a set amount of time.

DELETE Deletes letters and numbers.

MUTE Mutes all sounds.

^ CH v Scrolls through the saved channels.

⏪ PAGE ⏩ Moves to the previous or next screen.



B

PORTAL Displays and removes Pro:Centric Application.

INFO Shows information on the current program through Pro:Centric Application.

GUIDE Displays the program event according to time scheduler of Pro:Centric Application.

Navigation button (up / down / left / right) Scrolls through menus or options.

OK ENTER Selects menus or options and confirms your input.

Return Returns to the previous screen.

MENU SETTINGS Accesses the main menu.

EXIT Clears all on-screen displays and returns to TV viewing.

Special function buttons These access special functions in some menus.

Media control buttons Control buttons for media contents

SIMPLINK Accesses the AV devices connected to the TV; Opens the SIMPLINK menu.

PIPPIPCH+/-SWAPPIP INPUT Not functional.

SAP Analog mode: Selects MTS sound (Mono, Stereo or SAP) DTV mode: Changes the audio language.

Settings

To select picture mode

MENU SETTINGS ► **PICTURE** ► **Picture Mode**

Select the picture mode optimized for the viewing environment or the program.

- **Vivid** Heightens contrast, brightness and sharpness to display vivid images.
- **Standard** Displays images in standard levels of contrast, brightness and sharpness.
- **APS** APS (Auto power saving) mode reduces power consumption by dimming control.
- **Cinema / Game** Displays the optimum picture for a movie or a game.
- **Sports** Optimised picture mode for sports matches. The pitch and kits are presented in vibrant colours, with crystal-clear images even for fast movements.
- Depending upon input signal, the available range of picture modes may differ.
- **Picture Mode** change may modify **Motion Eye Care** settings and it can affect energy consumption.

To set additional picture options

MENU SETTINGS ► **PICTURE** ► **Picture Options**

Adjusts detailed setting for images.

- **Noise Reduction** Eliminates noise in the picture.
- **MPEG Noise Reduction** Eliminates noise generated while creating digital picture signals.
- **Black Level** Adjusts the brightness and contrast of the screen to suit the black level of the input picture by using the blackness (black level) of the screen.
- **Real Cinema** Optimizes the screen for movie viewing.
- **Motion Eye Care** Saves power consumption by adjusting the brightness corresponding to the movement of the image on the screen.
- Depending upon input signal or other picture settings, the range of detailed items for adjustment may differ.

Licenses

Supported licenses may differ by model. For more information about licenses, visit www.lg.com.



Manufactured under license from Dolby Laboratories. Dolby, Dolby Vision, Dolby Audio, and the double-D symbol are trademarks of Dolby Laboratories.



The terms HDMI and HDMI High-Definition Multimedia Interface, and the HDMI logo are trademarks or registered trademarks of HDMI Licensing LLC in the United States and other countries.



This DivX Certified® device has passed rigorous testing to ensure it plays DivX® video.

To play purchased DivX movies, first register your device at vod.divx.com. Find your registration code in the DivX VOD section of your device setup menu.

DivX Certified® to play DivX® video up to HD 1080p, including premium content.

DivX®, DivX Certified® and associated logos are trademarks of DivX, LLC and are used under license.

Covered by DivX Patents 7,295,673; 7,515,710; RE45,052; and others available at [www.divx.com/patents]

Open Source Software Notice Information

To obtain the source code under GPL, LGPL, MPL, and other open source licenses, that is contained in this product, please visit <http://opensource.lge.com>. In addition to the source code, all referred license terms, warranty disclaimers and copyright notices are available for download.

LG Electronics will also provide open source code to you on CD-ROM for a charge covering the cost of performing such distribution (such as the cost of media, shipping, and handling) upon email request to opensource@lge.com. This offer is valid for three (3) years from the date on which you purchased the product.

Updating Firmware

(Depending upon model)

You can update the firmware for the product by downloading the latest firmware.

- 1 Download the latest firmware at partner.lge.com. (Signing up for a membership and log-in required)
- 2 Create a folder named "LG_DTV" or "lg_dtv" on a USB memory device.
- 3 Move the downloaded file to the folder that you have created on the USB memory device.
- 4 Connect the USB memory device to the USB port on your TV.
- 5 When a pop-up window appears, start the update by following the instructions.

Troubleshooting

The software may be updated for improvement in performance. The customer is responsible to ensure the compatibility of their equipment with any LG Electronics software. If needed, please consult with LG Electronics and update new software versions according to the guidance provided by LG Electronics.

- Cannot control the TV with the remote control.
 - Check if anything such as tape has been placed over the receiver.
 - Check if there is any obstacle between the product and the remote control.
 - Replace the batteries with new fresh ones.
- No image display and no sound is produced.
 - Check if the product is turned on.
 - Check if the power cord is connected to a wall outlet.
 - Check if there is a problem in the wall outlet by connecting other products.
- The TV turns off suddenly.
 - Check the power control settings. The power supply may be interrupted.
 - Check if the **Off Time / Sleep Timer** feature is activated in the **TIME** settings.
 - If there is no signal while the TV is on, the TV will turn off automatically after 15 minutes of inactivity.
- **Abnormal Display**
 - If the TV feels cold to the touch, there may be a small flicker when it is turned on. This is normal; there is nothing wrong with TV. Some minute dot defects may be visible on the screen, appearing as tiny red, green, or blue spots. However, they have no adverse effect on the TV's performance. Avoid touching the LCD screen or holding your finger(s) against it for long periods of time. Doing so may produce some temporary distortion effects on the screen.
 - This panel is an advanced product that contains millions of pixels. In a very few cases, you could see fine dots on the screen while you're viewing the TV. Those dots are deactivated pixels and do not affect the performance and reliability of the TV.
 - Displaying a still image for a prolonged period of time may cause an image sticking. Avoid displaying a fixed image on the TV screen for an extended length of time.

- **Generated Sound**

- **Cracking noise** A cracking noise that occurs when watching or turning off the TV is generated by plastic thermal contraction due to temperature and humidity. This noise is common for products where thermal deformation is required.
- **Electrical circuit humming/panel buzzing** A low level noise is generated from a high-speed switching circuit, which supplies a large amount of current to operate a product. It varies depending upon the product. This generated sound does not affect the performance and reliability of the product.

Specifications

Product specifications may be changed without prior notice due to upgrade of product functions.

Television System

ATSC, NTSC-M, 64 & 256 QAM

Program Coverage

VHF 2-13, UHF 14-69, DTV 2-69, CATV 1-135, CADTV 1-135

External Antenna Impedance

75 Ω

Environment condition

- **Operating Temperature**
0 °C to 40 °C
- **Operating Humidity**
Less than 80 %
- **Storage Temperature**
-20 °C to 60 °C
- **Storage Humidity**
Less than 85 %

RGB (PC), HDMI (PC) supported mode

(Use HDMI IN 1 for PC mode)

Resolution	Horizontal Frequency (kHz)	Vertical Frequency (Hz)
640 x 350	31.46	70.09
720 x 400	31.46	70.08
640 x 480	31.46	59.94
800 x 600	37.87	60.31
1024 x 768	48.36	60.00
1152 x 864	54.34	60.05
1360 x 768	47.71	60.01
1280 x 1024 *	63.98	60.02
1920 x 1080 *	67.50	60.00

* FHD : 40/43/49/55LV560H,
40/43/49/55/65LV570H

HDMI (DTV) supported mode

Resolution	Horizontal Frequency (kHz)	Vertical Frequency (Hz)
640 x 480p	31.46	59.94
	31.50	60.00
720 x 480p	31.47	59.94
	31.50	60.00
1280 x 720p	44.96	59.94
	45.00	60.00
1920 x 1080i	33.72	59.94
	33.75	60.00
1920 x 1080p	26.97	23.97
	27.00	24.00
	33.71	29.97
	33.75	30.00
	67.43	59.94
	67.50	60.00

Supported Photo Formats

- Category: 2D (.jpeg, .jpg, .jpe)

[Available file type]

SOF0: Baseline,

SOF1: Extend Sequential,

SOF2: Progressive

[Photo size]

Minimum: 64 x 64,

Maximum: Normal Type: 15,360 (W) x 8,640 (H),

Progressive Type: 1,920 (W) x 1,440 (H)

- Category: BMP

[Available file type] .bmp

[Photo size] Minimum: 64 x 64,

Maximum: 9,600 x 6,400

- Category: PNG

[Available file type] Interlace, Non-Interlace

[Photo size]

Minimum: 64 x 64,

Maximum: Interlace: 1,200 x 800,

Non-Interlace: 9,600 x 6,400

- BMP and PNG format files may be slower to display than JPEG.
- Non-standard photo/image file may not be displayed.

Supported Audio Formats

- File type: mp3

[Bit rate] 32 Kbps - 320 Kbps

[Sample freq.] 16 kHz - 48 kHz

[Support] MPEG-1, MPEG-2, Layer2, Layer3

- File Type: AAC

[Bit rate] Free Format

[Sample freq.] 8 kHz ~ 48 kHz

[Support] ADIF, ADTS

- File Type: M4A

[Bit rate] Free Format

[Sample freq.] 8 kHz ~ 48 kHz

[Support] MPEG-4

- File Type: OGG

[Bit rate] Free Format

[Sample freq.] ~ 48 kHz

[Support] Vorbis

- File Type: WMA

[Bit rate] 128 Kbps ~ 320 Kbps

[Sample freq.] 8 kHz ~ 48 kHz

[Support] WMA7, 8, 9 Standard

- File Type: WMA 10 Pro

[Bit rate] ~ 768 Kbps

[Channel / Sample freq.]

M0: up to 2 Channel / 48 kHz,

M1: up to 5.1 Channel / 48 kHz,

M2: up to 5.1 Channel / 96 kHz

[Support] WMA 10 Pro

Supported Video Formats

Maximum: 1,920 x 1,080 @ 30p (only Motion JPEG
640 x 480 @ 30p)

- .asf, .wmv

[Video] MPEG-2, MPEG-4 Part2, DivX3.11, DivX4,
DivX5, DivX6, XViD, H.264/AVC, VC1 (WMV3, WVC1),
MP43

[Audio] WMA Standard, WMA9(Pro), MP3, AAC,
AC3, 3D WMV Single Stream

- .divx, .avi

[Video] MPEG-2, MPEG-4 Part2, DivX3.11, DivX4,
DivX5, DivX6, XViD, H.264/AVC

[Audio] HE-AAC, LPCM, ADPCM, MPEG-1 Layer I,
MPEG-1 Layer II, Dolby Digital, MPEG-1 Layer III
(MP3), *DTS

- .ts, .trp, .tp, .mts, .m2ts

[Video] H.264/AVC, MPEG-2, AVS, VC1

[Audio] MPEG-1 Layer I, MPEG-1 Layer II, MPEG-1
Layer III (MP3), Dolby Digital, Dolby Digital Plus,
AAC, HE-AAC, *DTS

- .vob

[Video] MPEG-1, MPEG-2

[Audio] Dolby Digital, MPEG-1 Layer I, MPEG-1
Layer II, DVD-LPCM

- .mp4, .m4v, .mov

[Video] MPEG-2, MPEG-4 Part2, DivX3.11, DivX4,
DivX5, XViD, H.264/AVC

[Audio] AAC, MPEG-1 Layer III (MP3), *DTS

- .mkv

[Video] MPEG-2, MPEG-4 Part2, DivX3.11, DivX4,
DivX5, DivX6, XViD, H.264/AVC

[Audio] HE-AAC, Dolby Digital, MPEG-1 Layer III
(MP3), *DTS, LPCM

- .mpg, .mpeg, .mpe

[Video] MPEG-1, MPEG-2

[Audio] MPEG-1 Layer I, MPEG-1 Layer II, Dolby
Digital, LPCM

- .dat

[Video] MPEG-1, MPEG-2

[Audio] MP2

- .flv

[Video] Sorenson H.263, H.264/AVC

[Audio] MP3, AAC, HE-AAC

- .3gp, .3gp2

[Video] H.264/AVC, MPEG-4 Part2

[Audio] AAC, AMR(NB/WB)

*DTS: Depending upon model

Regulatory

FCC NOTICE

(For USA)

This equipment has been tested and found to comply with the limits for a Class B digital device, pursuant to Part 15 of the FCC Rules. These limits are designed to provide reasonable protection against harmful interference in a residential installation. This equipment generates, uses and can radiate radio frequency energy and, if not installed and used in accordance with the instructions, may cause harmful interference to radio communications. However, there is no guarantee that interference will not occur in a particular installation. If this equipment does cause harmful interference to radio or television reception, which can be determined by turning the equipment off and on, the user is encouraged to try to correct the interference by one or more of the following measures:

- Reorient or relocate the receiving antenna.
- Increase the separation between the equipment and the receiver.
- Connect the equipment to an outlet on a circuit different from that to which the receiver is connected.
- Consult the dealer or an experienced radio/TV technician for help.

This device complies with part 15 of the FCC Rules. Operation is subject to the following two conditions: (1) this device may not cause harmful interference and (2) this device must accept any interference received, including interference that may cause undesired operation of the device. Any changes or modifications in construction of this device which are not expressly approved by the party responsible for compliance could void the user's authority to operate the equipment.

FCC Radio Frequency Interference Requirements (for UNII devices)

High power radars are allocated as primary users of the 5.25 to 5.35 GHz and 5.65 to 5.85 GHz bands. These radar stations can cause interference with and/or damage this device. This device cannot be co-located with any other transmitter.

FCC RF Radiation Exposure Statement

[For having wireless function (WLAN, Bluetooth,...)]

This equipment complies with FCC radiation exposure limits set forth for an uncontrolled environment. This transmitter must not be collocated or operating in conjunction with any other antenna or transmitter. This equipment should be installed and operated with minimum distance 20 cm (7.8 inches) between the radiator and your body. Users must follow the specific operating instructions for satisfying RF exposure compliance.

Industry Canada Statement

(For Canada)

[For having wireless function (WLAN, Bluetooth,...)]

This device complies with Industry Canada's applicable licence-exempt RSSs. Operation is subject to the following two conditions:

- (1) This device may not cause interference; and
- (2) This device must accept any interference, including interference that may cause undesired operation of the device.

IC Radiation Exposure Statement

(For Canada)

[For having wireless function (WLAN, Bluetooth,...)]

This equipment complies with IC radiation exposure limits set forth for an uncontrolled environment. This equipment should be installed and operated with minimum distance 20 cm (7.8 inches) between the antenna & your body.

NOTE: THE MANUFACTURER IS NOT RESPONSIBLE FOR ANY RADIO OR TV INTERFERENCE CAUSED BY UNAUTHORIZED MODIFICATIONS TO THIS EQUIPMENT. SUCH MODIFICATIONS COULD VOID THE USER'S AUTHORITY TO OPERATE THE EQUIPMENT.

(For Canada)

[For product having the wireless function using 5 GHz frequency bands]

- The device for operation in the band 5150–5250 MHz is only for indoor use to reduce the potential for harmful interference to co-channel mobile satellite systems;
- For devices with detachable antenna(s), the maximum antenna gain permitted for devices in the bands 5250–5350 MHz and 5470–5725 MHz shall be such that the equipment still complies with the e.i.r.p. limit;
- For devices with detachable antenna(s), the maximum antenna gain permitted for devices in the band 5725–5850 MHz shall be such that the equipment still complies with the e.i.r.p. limits specified for point-to-point and non-point-to-point operation as appropriate; and
- The worst-case tilt angle(s) necessary to remain compliant with the e.i.r.p. elevation mask requirement set forth in Section 6.2.2(3) shall be clearly indicated. (devices operating in the band 5250–5350 MHz with a maximum e.i.r.p. greater than 200 mW)
- High-power radars are allocated as primary users (i.e. priority users) of the bands 5250–5350 MHz and 5650–5850 MHz and that these radars could cause interference and/or damage to LE-LAN devices.

NOTE TO CABLE/TV INSTALLER

(For USA and Canada)

This reminder is provided to call the CATV system installer's attention to Article 820-40 of the National Electric Code (U.S.A.). The code provides guidelines for proper grounding and, in particular, specifies that the cable ground shall be connected to the grounding system of the building, as close to the point of the cable entry as practical.




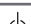


WARNING!

Never place a television set in an unstable location. A television set may fall, causing serious personal injury or death. Many injuries, particularly to children, can be avoided by taking simple precautions such as:

- Using cabinets or stands recommended by the manufacturer of the television set.
- Only using furniture that can safely support the television set.
- Ensuring the television set is not overhanging the edge of the supporting furniture.
- Not placing the television set on tall furniture (for example, cupboards or bookcases) without anchoring both the furniture and the television set to a suitable support.
- Not placing the television set on cloth or other materials that may be located between the television set and supporting furniture.
- Educating children about the dangers of climbing on furniture to reach the television set or its controls.

If your existing television set is being retained and relocated, the same considerations as above should be applied.

Symbols

	Refers to alternating current(AC).
	Refers to direct current(DC).
	Refers to class II equipment.
	Refers to stand-by.
	Refers to "ON" (power).
	Refers to dangerous voltage.

IR OUT Using Guide

Suitable / Not Recommend remote-controller data format

Item	Data format code	Note
Suitable Data Format	NEC, Toshiba Full Repeat Code Format	Single : Enable Repeat : Enable
	Philips RC5, RC6 Code Format	
	Zenith Code Format	
Not Recommend Data Format	Matsushita, RCA Code Format	Single : Enable
	Sony 12/15/20 bit, Mitsubishi Code Format	Repeat : Disable
	Sharp, JVC, R-step, Philips RCMM, RECS-80, XMP Code Format	Single : Disable Repeat : Disable

IR Receiver specifications

Carrier frequency	37.9 KHz
Peak Wavelength	940 nm
Minimum burst length	Min. 300 us
Minimum gap time is required of	Min. 350 us
Data word length	Max. 100 ms
Minimum gap time in the data stream is needed of	Min. 50 ms

Parameter	Symbol	Conditions	Min	Typ	Max	Unit
High Level Out Pulse Width	Twh	Burst Wave = 600 μ S Period = 1.2 ms	400	-	800	μ S
Low Level Out Pulse Width	Twl		400	-	800	μ S



If not use the remote-controller with data formats recommended, IR output signals will be suppressed automatically by IR receiver. In this case, LG does not guarantee IR working function. To make sure of this matter, here are two methods as below.

- Use the remote-controller with suitable data formats.
- Use the IR dongle receiver of the set-top box.



Declaration of Conformity

Trade Name LG
Model 32LV560H-UA, 32LV570H-UA,
40LV560H-UA, 40LV570H-UA,
43LV560H-UA, 43LV570H-UA,
49LV560H-UA, 49LV570H-UA,
55LV560H-UA, 55LV570H-UA,
65LV570H-UA
Responsible Party LG Electronics Inc.
Address 1000 Sylvan Ave. Englewood
Cliffs NJ 07632 U.S.A
TEL 201-266-2534

LG Customer Information Center

For inquires or comments, visit www.lg.com or call;

1-855-286-2456 CANADA
1-888-865-3026 USA, Commercial User

The model and serial numbers of the TV are located on the back and on one side of the TV. Record them below should you ever need service.

MODEL _____
SERIAL _____



MANUEL D'UTILISATION Sécurité et références

TÉLÉVISEUR DEL*

* Les téléviseurs DEL de LG sont dotés d'écrans ACL avec rétroéclairage DEL.

Veillez lire ce manuel attentivement avant d'utiliser l'appareil et conservez-le pour pouvoir vous y reporter ultérieurement.

32LV560H
32LV570H
40LV560H
40LV570H

43LV560H
43LV570H
49LV560H
49LV570H

55LV560H
55LV570H
65LV570H

www.lg.com


Copyright © 2017 LG Electronics inc. Tous droits réservés.


AVERTISSEMENT! Directives de sécurité importantes

Lisez ces directives. Conservez ces directives. Soyez attentif à tous les avertissements. Suivez toutes les directives.



MISE EN GARDE: AFIN DE RÉDUIRE LE RISQUE D'ÉLECTROCUTION, NE RETIREZ PAS LE COUVERCLE (OU LE PANNEAU ARRIÈRE). AUCUNE PIÈCE POUVANT ÊTRE RÉPARÉE PAR L'UTILISATEUR NE SE TROUVE À L'INTÉRIEUR DE L'APPAREIL. FAITES APPEL À DU PERSONNEL D'ENTRETIEN QUALIFIÉ.

 Ce symbole a pour fonction d'avertir l'utilisateur de la présence de tension dangereuse non isolée à l'intérieur du boîtier de l'appareil qui pourrait être d'une puissance suffisante pour causer une électrocution.

 Ce symbole vise à avertir l'utilisateur de la présence de directives d'utilisation et de maintenance (entretien) importantes dans la documentation accompagnant l'appareil.

AVERTISSEMENT: AFIN DE RÉDUIRE LE RISQUE D'INCENDIE ET D'ÉLECTROCUTION, N'EXPOSEZ PAS CE PRODUIT À LA PLUIE OU À L'HUMIDITÉ.

- N'utilisez pas cet appareil près de l'eau.
- Nettoyez uniquement avec un linge sec.
- Ne bloquez pas les orifices de ventilation. Installez le produit en respectant les directives du fabricant.
- N'installez pas le produit près de sources de chaleur comme les radiateurs, les bouches de chaleur, les fours et tout autre appareil (y compris les amplificateurs) produisant de la chaleur.
- Ne contournez pas le dispositif de sécurité que constituent la fiche polarisée ou la mise à la terre. Une fiche polarisée a deux lames, l'une d'elles étant plus large que l'autre. Une fiche de mise à la terre comporte deux lames et une broche de mise à la terre. La lame plus large ou la broche de mise à la terre sont fournies pour votre sécurité. Si la fiche fournie ne s'insère pas dans votre prise, consultez un électricien afin de faire remplacer la prise obsolète.
- Protégez le cordon d'alimentation de manière à ce qu'il ne soit ni piétiné ni pincé, particulièrement au niveau de la fiche, des prises de courant et à l'emplacement de sortie du cordon sur l'appareil.

- N'utilisez que les articles ou les accessoires recommandés par le fabricant.
- Utilisez uniquement avec un chariot, un socle, un trépied ou une table recommandé par le fabricant ou vendu avec l'appareil. Si vous utilisez un chariot, faites preuve de prudence lors du déplacement de celui-ci et de l'écran, afin de prévenir les blessures causées par un basculement.



- Débranchez cet appareil pendant les orages électriques ou lorsqu'il n'est pas utilisé pendant de longues périodes.
- Laissez le personnel qualifié se charger de l'entretien. Faites appel à un fournisseur de services d'entretien lorsque l'appareil a été endommagé d'une quelconque façon, notamment si la fiche ou le cordon d'alimentation est endommagé, si une substance liquide a été déversée sur l'appareil, si des objets sont tombés sur l'appareil, si l'appareil a été exposé à la pluie ou à l'humidité, s'il cesse de fonctionner correctement ou s'il a été échappé.
- Évitez d'appuyer fortement sur l'écran avec la main ou un objet pointu, comme un ongle, un crayon ou un stylo, et évitez d'égratigner l'écran.
- N'insérez aucun objet métallique ou conducteur dans le cordon d'alimentation. Ne touchez pas l'extrémité du cordon d'alimentation lorsqu'il est branché.
- Gardez le matériel antihumidité et le matériel d'emballage en vinyle hors de la portée des enfants. Le matériel antihumidité est dangereux pour la santé s'il est avalé. Si le matériel est avalé accidentellement, provoquez un vomissement et rendez-vous immédiatement à l'hôpital le plus près. De plus, le matériel d'emballage en vinyle peut entraîner la suffocation. Gardez-le hors de la portée des enfants.
- Relatif au cordon d'alimentation (peut varier selon le pays) : Consultez la page des caractéristiques du présent guide d'utilisation pour vous en assurer. Ne branchez pas un trop grand nombre d'appareils dans une même prise d'alimentation c.a., car cela pourrait causer un incendie ou une électrocution. Ne surchargez pas les prises de courant murales. Les prises de courant murales surchargées, les prises de courant murales ou les rallonges desserrées ou endommagées, les cordons d'alimentation dénudés ou endommagés ainsi que les revêtements de fil fissurés sont dangereux. Chacune de ces conditions peut entraîner une électrocution ou provoquer un incendie. Examinez périodiquement le cordon de votre appareil. S'il présente des dommages ou des signes de détérioration, débranchez-le, cessez d'utiliser l'appareil et faites remplacer le cordon par une pièce de rechange identique par

un fournisseur de services d'entretien autorisé. Protégez le cordon d'alimentation contre les dommages physiques ou mécaniques. Veillez notamment à ce qu'il ne soit pas tordu, déformé, pincé, coincé dans une porte ou piétiné. Soyez particulièrement attentif aux fiches, aux prises de courant murales et à l'emplacement de sortie du cordon sur l'appareil. Ne déplacez pas le téléviseur si le cordon d'alimentation est branché. N'utilisez pas un cordon d'alimentation endommagé ou desserré. Assurez-vous de saisir la fiche lorsque vous débranchez le cordon d'alimentation. Ne tirez pas sur le cordon d'alimentation pour débrancher le téléviseur.

- Afin de réduire le risque d'incendie ou d'électrocution, n'exposez pas ce produit à la pluie, à l'humidité ou à d'autres liquides. Ne touchez pas le téléviseur si vos mains sont mouillées. N'installez pas ce produit près d'objets inflammables comme de l'essence ou des chandelles, et ne l'exposez pas directement à l'air conditionné.
- N'utilisez pas d'équipement électrique à haute tension près du téléviseur (comme un tue-mouches électrique). Cela pourrait entraîner un mauvais fonctionnement de l'appareil.
- Le moniteur ne doit pas être exposé à l'égouttement d'un liquide ou à des éclaboussures, et vous devez éviter de poser des objets remplis de liquide, comme des vases, des tasses, etc., sur l'appareil ou au-dessus de celui-ci (par exemple, sur une tablette).
- **Mise à la terre** (Sauf pour les appareils non mis à la terre.) Assurez-vous de brancher le fil de mise à la terre afin de prévenir tout risque d'électrocution (p. ex., un téléviseur doté d'une fiche c.a. avec broche de mise à la terre devrait être branché dans une prise électrique murale c.a. avec mise à la terre). Si la mise à la terre n'est pas possible, un électricien qualifié doit installer un disjoncteur pour la prise. Ne tentez pas de mettre l'appareil à la terre en le raccordant à des câbles téléphoniques, à un paratonnerre ou à des canalisations de gaz.
- Tant que cet appareil est branché sur la prise de courant murale c.a., il n'est pas déconnecté de la source d'alimentation c.a. même s'il est mis hors tension.
- Ne tentez de modifier cet appareil d'aucune manière sans avoir obtenu au préalable l'autorisation écrite de LG Electronics. Une modification non autorisée pourrait annuler l'autorisation accordée à l'utilisateur de faire fonctionner cet appareil.
- **Mise à la terre d'antennes extérieures** (peut varier selon le pays) : Si une antenne extérieure est installée, suivez les précautions ci-dessous. Un système d'antennes extérieures ne devrait pas se trouver à proximité des lignes aériennes d'électricité, d'autres circuits électriques d'éclairage ou d'alimentation, ou à un endroit où il peut entrer en contact avec de telles lignes électriques ou de tels circuits d'alimentation, puisque des blessures

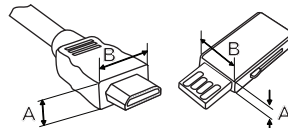
graves, voire la mort, pourraient se produire. Assurez-vous que le système d'antennes est mis à la terre, afin de fournir une certaine protection contre les surtensions et les accumulations d'électricité statique. L'article 810 du Code national de l'électricité (NEC) des États-Unis fournit des renseignements relatifs à la procédure conforme de mise à la terre du mât et de la structure d'appui ainsi que de mise à la terre du câble de connexion au dispositif de décharge de l'antenne, en plus de renseignements relatifs au format des fils de mise à la terre, à la position du dispositif de décharge de l'antenne, au branchement des électrodes de masse et aux exigences de mise à la terre de l'électrode. **Mise à la terre de l'antenne en vertu du Code national de l'électricité, ANSI/NFPA 70**

- **Déplacement** Assurez-vous que l'appareil est hors tension, débranché et que tous les câbles ont été retirés. Deux personnes ou plus peuvent être requises pour porter les téléviseurs de grandes dimensions. N'appliquez aucune pression (provenant de vous-même ou d'un élément extérieur) sur le panneau avant du téléviseur.
- **Ventilation** Installez votre téléviseur à un endroit où la ventilation est suffisante. N'installez pas votre appareil dans un espace confiné comme une bibliothèque. Ne couvrez pas ce produit d'un drap ou d'autres matériaux lorsqu'il est branché. N'installez pas l'appareil dans un endroit excessivement poussiéreux.
- Prenez soin de ne pas toucher aux ouvertures de ventilation. Lorsque le téléviseur fonctionne pendant de longues périodes, les ouvertures de ventilation peuvent devenir chaudes. Cela ne nuit aucunement à la performance de l'appareil et ne l'endommage pas.
- Si vous sentez une odeur de fumée ou d'autres odeurs provenant du téléviseur, débranchez le cordon d'alimentation et contactez un centre de services autorisé.
- Si de l'eau ou toute autre substance s'infiltre dans le produit (p. ex. un adaptateur c.a., un cordon d'alimentation ou un téléviseur), débranchez le cordon d'alimentation et communiquez avec le centre de service immédiatement. Dans le cas contraire, cela peut provoquer un incendie ou une décharge électrique.
- N'installez pas ce produit sur un mur où il pourrait être exposé à de l'huile ou à un brouillard d'huile; Cela peut l'endommager et provoquer sa chute.
- Utilisez un adaptateur c.a. autorisé et un cordon d'alimentation approuvé par LG Electronics. Dans le cas contraire, cela peut provoquer un incendie, une décharge électrique, un mauvais fonctionnement ou une altération du produit.
- Ne démontez jamais l'adaptateur c.a. ou le cordon d'alimentation. Cela peut provoquer un incendie ou une décharge électrique.
- Manipulez l'adaptateur avec soin pour éviter de l'échapper ou de le frapper. Un impact pourrait l'endommager.

- Évitez que le produit soit directement exposé à la lumière du jour.
- Ne touchez jamais cet appareil ou cette antenne pendant un orage.
- Lors de la pose du téléviseur au mur, assurez-vous de ne pas le suspendre à l'aide du câble de signal ou d'alimentation se trouvant à l'arrière.
- Évitez de heurter l'appareil et assurez-vous qu'aucun objet ne tombe sur celui-ci ou n'entre en contact avec l'écran.
- **DÉBRANCHEMENT DE L'APPAREIL DE LA SOURCE D'ALIMENTATION PRINCIPALE** Pour débrancher l'appareil, retirez la fiche d'alimentation de la prise de courant. La fiche d'alimentation doit demeurer entièrement accessible afin de pouvoir débrancher l'appareil en cas d'urgence.
- Assurez-vous que le cordon d'alimentation est correctement branché dans la fiche d'alimentation électrique du téléviseur.
- **Piles** Assurez-vous de ranger les accessoires (piles ou autres) dans un lieu sûr et hors de la portée des enfants.
- Cet appareil fonctionne avec des piles. Il est possible que des réglages en matière d'environnement vous obligent à mettre ces piles au rebut. Veuillez communiquer avec les autorités locales pour plus de renseignements sur la mise au rebut ou sur le recyclage des piles usagées.
- Ne jetez pas les piles dans le feu.
- Ne court-circuitez pas les piles, ne les démontez pas et ne les laissez pas surchauffer.
- **Nettoyage** Lors du nettoyage, débranchez le cordon d'alimentation et essuyez l'appareil avec un linge doux pour éviter de l'égratigner. Ne vaporisez pas d'eau ou d'autres liquides directement sur le téléviseur, car cela pourrait causer une électrocution. Ne nettoyez pas avec des produits chimiques comme de l'alcool, des solvants et du benzène.

Préparation

- L'image présentée peut ne pas correspondre à votre téléviseur.
- L'affichage à l'écran de votre téléviseur peut différer légèrement de l'illustration du présent manuel.
- Les menus et les options offerts peuvent différer en fonction des entrées ou du modèle de produit que vous utilisez.
- De nouvelles fonctionnalités pourraient être ajoutées à ce téléviseur dans le futur.
- Les articles fournis avec votre produit peuvent varier selon le modèle.
- Les caractéristiques du produit ou le contenu de ce manuel peuvent être modifiés sans préavis, pour refléter la mise à niveau des fonctions du produit.
- Pour que la connexion soit optimale, les connecteurs des câbles HDMI et des dispositifs USB devraient avoir un rebord de moins de 10 mm (0,39 pouce) d'épaisseur et de moins de 18 mm (0,7 pouce) de largeur.
- Si le câble ou la clé USB n'entre pas dans le port USB du téléviseur, servez-vous d'un câble de rallonge compatible avec USB 2.0.
- Utilisez un câble certifié portant le logo HDMI. Si vous n'utilisez pas un câble HDMI certifié, l'écran peut ne pas s'afficher ou un problème de connexion peut se produire.
- Types de câbles HDMI recommandés (de 3m ou moins)
 - Câble HDMI®/™ haute vitesse
 - Câble HDMI®/™ haute vitesse avec Ethernet



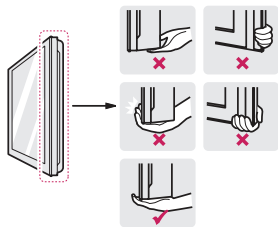
*A ≤ 10 mm (0,39 pouce)
*B ≤ 18 mm (0,7 pouce)

- Afin de garantir la sécurité et la durée de vie de l'appareil, n'utilisez pas d'éléments non approuvés.
- Tout dommage ou blessure causé par l'utilisation d'un élément non approuvé n'est pas couvert par la garantie.
- Certains modèles ont une fine pellicule apposée sur l'écran. Celle-ci fait partie du téléviseur; il ne faut pas la retirer.
- Pour fixer le support au téléviseur, placez l'écran face contre une table ou une surface plane matelassée afin de le protéger contre les rayures.
- Assurez-vous que les vis sont vissées complètement. (Si elles ne sont pas suffisamment vissées, le téléviseur peut basculer vers l'avant après avoir été installé.)
- Ne serrez pas trop les vis, car elles peuvent s'user et se relâcher.

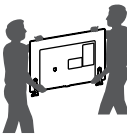
Soulèvement et déplacement du téléviseur

Lorsque vous désirez déplacer ou soulever le téléviseur, lisez tout d'abord ce qui suit pour éviter d'égratigner ou d'endommager le téléviseur, ainsi que pour effectuer un transport sécuritaire sans égard au type et à la taille du téléviseur.

- Il est recommandé de déplacer le téléviseur en utilisant la boîte ou le matériel d'emballage dans lequel il a été livré à l'origine.
- Avant de déplacer ou de soulever le téléviseur, débranchez le cordon d'alimentation et tous les câbles.
- Lorsque vous manipulez le téléviseur, vous devriez l'orienter pour que l'écran ne soit pas contre vous, et ce, pour éviter de l'endommager.
- Tenez fermement le haut et le bas du cadre du téléviseur. Assurez-vous de ne pas tenir la partie transparente, le haut-parleur ou la grille de haut-parleur du téléviseur.



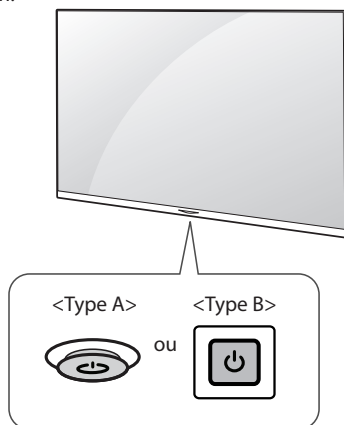
- Deux personnes, au minimum, sont requises pour déplacer un téléviseur de grande taille.
- Lorsque vous transportez un téléviseur dans vos mains, tenez-le tel qu'il est montré dans l'illustration ci-contre.
- Lorsque vous transportez le téléviseur, évitez de l'exposer à des chocs ou à des vibrations excessives.
- Lorsque vous transportez le téléviseur, maintenez-le à la verticale; ne le tournez jamais sur le côté et ne le penchez pas à gauche ou à droite.
- Lors de la manipulation du téléviseur, veillez à ne pas endommager les boutons en saillie.



- Évitez de toucher à l'écran, puisque cela pourrait causer des dommages à celui-ci.
- Ne déposez pas le produit sur le plancher si la partie avant (l'écran) n'est pas posée sur une surface coussinée. Cela pourrait endommager l'écran.
- Ne déplacez pas le téléviseur en le tenant par le serre-câbles, ce qui peut briser le serre-câbles et ensuite causer des blessures ou endommager le téléviseur. (Selon le modèle)

Utilisation du bouton

Vous pouvez commander le téléviseur à l'aide du bouton.



Fonctions de base

(Type A)

	Mise sous tension (appuyez) Mise hors tension ¹ (maintenez enfoncé)
	Réglage du volume
	Réglage des chaînes

(Type B)

	Mise sous / hors tension (appuyez)
--	------------------------------------

¹ Si le bouton menu est affiché à l'écran, vous pourrez quitter le menu en appuyant et en maintenant enfoncé le bouton de la manette.

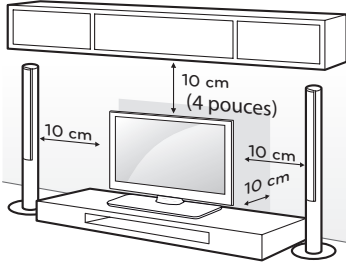
Réglage du menu

Lorsque le téléviseur est allumé, appuyez une fois sur le bouton . Vous pouvez régler les éléments du menu à l'aide des boutons. (Selon le modèle)

	Met l'appareil hors tension.
	Permet d'accéder au menu des paramètres.
	Efface ce qui est affiché à l'écran et retourne au visionnement de la télévision.
	Change de source d'entrée.

Installation sur une table

- 1 Soulevez et placez le téléviseur en position verticale sur une table.
 - Laissez au minimum un espace de 10 cm (4 pouces) entre le mur et le téléviseur pour une ventilation adéquate.



- 2 Raccordez le cordon d'alimentation à une prise murale.

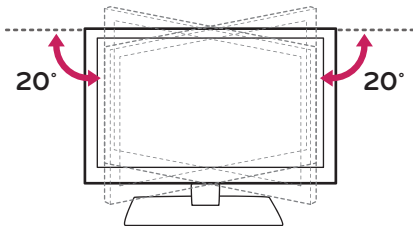


- Ne placez pas le téléviseur sur des sources de chaleur ou à proximité, car cela peut causer un incendie ou d'autres dommages.
- Lors de l'assemblage du produit, n'appliquez pas de substances étrangères (huiles, lubrifiants, etc.) sur les vis. (Cela pourrait endommager le produit.)

Ajustement de l'angle du téléviseur afin de trouver le meilleur angle de vue

(Selon le modèle)

Faites pivoter le téléviseur de 20 degrés vers la gauche ou la droite et réglez l'angle du téléviseur selon vos préférences.



- Faites attention à vos doigts lorsque vous réglez l'angle du produit.
 - Vous pourriez vous blesser en cas d'écrasement des mains ou des doigts. Si le produit est trop incliné, il peut tomber, provoquant des dommages ou des blessures.

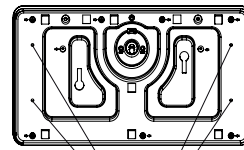
Fixation du téléviseur sur un bureau

(Selon le modèle)

Si vous assemblez le téléviseur sur une table, assurez-vous qu'il est installé selon la méthode présentée dans Fixation du téléviseur sur un bureau.

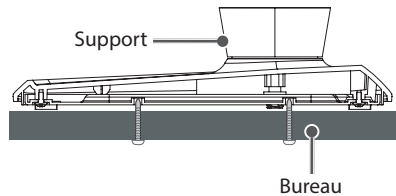
Nous vous recommandons de fixer le téléviseur à un bureau de manière qu'il ne puisse pas être tiré vers l'avant / l'arrière, risquant de blesser quelqu'un ou de s'endommager.

[TYPE 1]

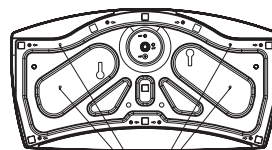


4 vis

(Pièces non incluses avec le produit.)

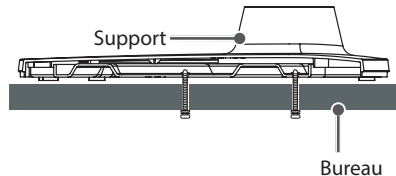


[TYPE 1-2]

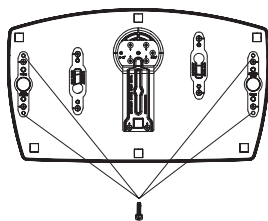


4 vis

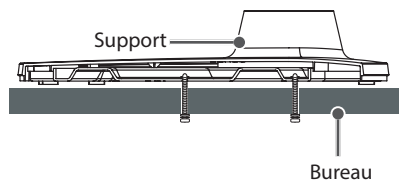
(Pièces non incluses avec le produit.)



[TYPE 1-3]

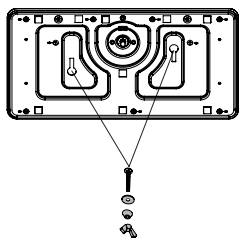


4 vis
(Pièces non incluses avec le produit.)

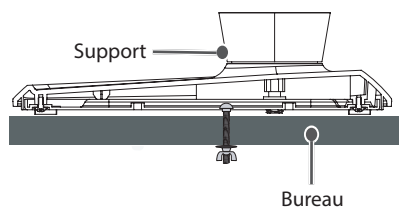


- ⚠ • Vis : M5 x L (*L: Profondeur de la table + 8~10 mm) Par ex., profondeur de la table : 15 mm, vis : M5 x L25

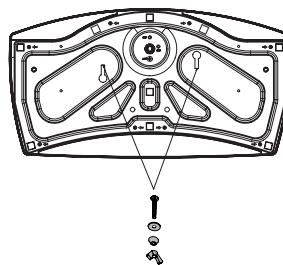
[TYPE 2-1]



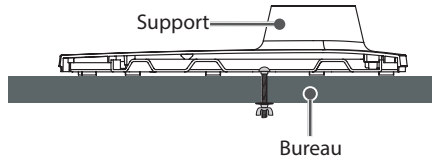
2 vis, 2 rondelles, 2 écrous
(Pièces incluses avec le produit.)



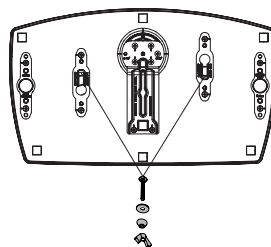
[TYPE 2-2]



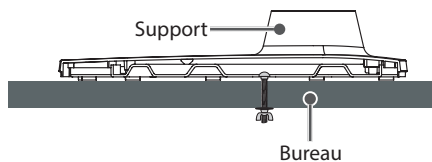
2 vis, 2 rondelles, 2 écrous
(Pièces incluses avec le produit.)



[TYPE 2-3]



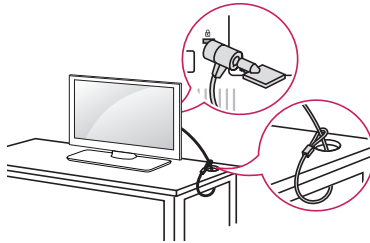
2 vis, 2 rondelles, 2 écrous
(Pièces incluses avec le produit.)



Le système de sécurité Kensington

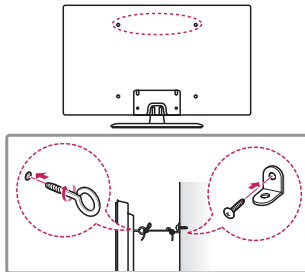
(Selon le modèle)

Le connecteur du système de sécurité Kensington se trouve à l'arrière ou sur le support du téléviseur. Pour de plus amples renseignements sur l'installation et l'utilisation de ce système, reportez-vous au manuel fourni avec le système de sécurité Kensington ou visitez le site <http://www.kensington.com>. Connectez le câble du système de sécurité Kensington au téléviseur et à une table.



Fixation du téléviseur sur un mur (facultative)

(Selon le modèle)



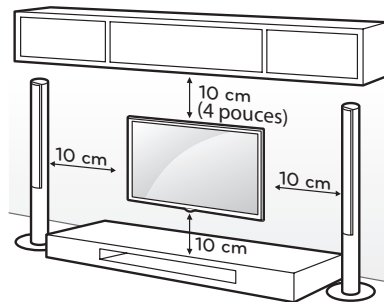
- 1 Insérez et serrez les boulons à œil ou les supports et les boulons à l'arrière du téléviseur.
- Si des boulons sont insérés dans les emplacements des boulons à œil, retirez tout d'abord les boulons.
- 2 Fixez les supports de fixation murale au mur à l'aide des boulons. À l'arrière du téléviseur, alignez les boulons à œil sur les emplacements correspondants de la fixation murale.
- 3 Attachez les boulons à œil aux supports de fixation murale à l'aide d'une corde solide. Assurez-vous d'installer la corde pour qu'elle soit horizontale relativement à une surface plane.



- Assurez-vous que les enfants ne grimpent pas sur le téléviseur et ne se suspendent pas à celui-ci.
- Utilisez une plateforme ou un meuble qui est suffisamment solide et large pour soutenir le téléviseur de manière sécuritaire.
- Les supports, les boulons et les cordes sont facultatifs. Vous pouvez obtenir des accessoires supplémentaires auprès de votre détaillant local.

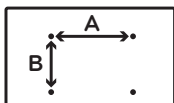
Installation sur un mur

Une fixation murale optionnelle peut être utilisée pour installer votre téléviseur LG. Consultez votre fournisseur local afin de trouver une fixation murale qui correspond aux normes VESA de votre modèle de téléviseur. Posez soigneusement le support de fixation murale au dos de votre téléviseur. Installez-le sur un mur solide qui est perpendiculaire au sol. Si vous posez le téléviseur sur d'autres matériaux de construction, veuillez faire appel à du personnel qualifié pour installer la fixation murale. Des directives détaillées seront comprises avec la fixation murale. Nous vous recommandons d'utiliser une fixation murale de marque LG. La fixation murale de LG est facile à ajuster et les câbles s'y branchent aisément. Si vous n'utilisez pas une fixation murale de LG, utilisez un support permettant de poser l'appareil au mur de façon sécuritaire et offrant suffisamment d'espace pour la connexion des appareils externes. Si vous utilisez une fixation non réglable, posez-la sur le mur. Branchez d'abord les câbles sur le téléviseur, puis placez le téléviseur sur la fixation murale.



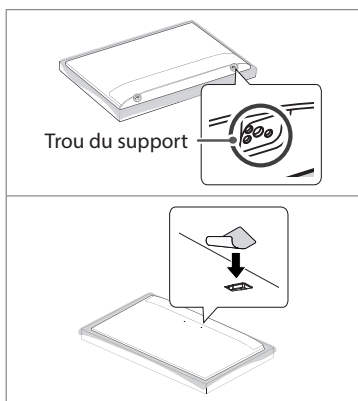
Assurez-vous d'utiliser les vis et les fixations murales qui répondent aux normes VESA. Les dimensions standards des trusses de fixation murale sont indiquées dans le tableau suivant.

Modèle	32LV560H	49LV560H	65LV570H
	32LV570H	49LV570H	
	40LV560H	55LV560H	
	40LV570H	55LV570H	
	43LV560H	43LV570H	
VESA (A x B)	200 x 200	300 x 300	300 x 300
Vis standard	M6	M6	M6
Nombre de vis	4	4	4
Fixation murale (facultative)	LSW240B MSW240	LSW350B MSW240	LSW350B



- Avant d'installer le téléviseur sur une fixation murale, retirez son support en suivant la procédure inverse de l'installation du support.

- Au moment d'installer la fixation murale, il est conseillé d'appliquer du ruban adhésif sur les trous du support afin de les couvrir et d'éviter que la poussière s'y accumule ou que des insectes s'y introduisent. (Selon le modèle)



Connexions (Notifications)

Vous pouvez brancher différents appareils externes sur le téléviseur. Sont pris en charge les récepteurs HD, les lecteurs DVD, les magnétoscopes, les systèmes audio, les dispositifs de stockage USB, les ordinateurs, les consoles de jeu et d'autres périphériques externes. Pour plus d'information sur la connectivité des périphériques externes, consultez le manuel fourni avec chaque appareil.

- Si vous enregistrez une émission télévisée à l'aide d'un enregistreur de DVD ou d'un magnétoscope, assurez-vous de brancher le câble de signal télévisé au téléviseur par l'intermédiaire de l'enregistreur ou du magnétoscope. Pour en savoir davantage sur l'enregistrement, reportez-vous au manuel fourni avec le périphérique connecté.
- La connexion au périphérique externe peut différer légèrement des illustrations d'un manuel.
- Connectez les appareils externes au téléviseur indépendamment de l'ordre du port TV. Si vous branchez une console de jeu sur le téléviseur, utilisez le câble fourni avec la console.
- Si vous branchez une console de jeu sur le téléviseur, utilisez le câble fourni avec la console.
- Pour connaître le mode d'emploi d'un périphérique externe, consultez le guide d'utilisation associé à l'appareil en question.
- En mode PC, il peut y avoir du bruit associé à la résolution, au motif vertical, au contraste ou à la luminosité. Si vous constatez du bruit, changez la résolution de la sortie PC, changez la fréquence de rafraîchissement, ou réglez la luminosité et le contraste dans le menu **IMAGE** pour obtenir une image nette.
- Lorsque vous branchez l'appareil à un réseau local filaire, il est recommandé d'utiliser un des un câble CAT 7. (Selon le modèle)

Raccordement à une antenne ou au câble

Raccordez le téléviseur à une antenne, au câble ou à un terminal de câblodistribution. Les illustrations peuvent différer des articles réels et l'utilisation d'un câble RF est facultative.

- Assurez-vous de ne pas plier le fil de cuivre du câble RF.



- Pour éviter d'endommager votre téléviseur, faites d'abord tous les branchements entre les appareils, puis branchez le cordon d'alimentation dans la prise d'alimentation.
- Utilisez un dispositif d'aiguillage de signaux pour utiliser deux téléviseurs ou plus.
- Codecs audio TVN pris en charge : MPEG, Dolby Digital.

Autres connexions

Branchez votre téléviseur sur des appareils externes. Pour obtenir l'image et le son de la meilleure qualité, reliez l'appareil externe et le téléviseur au moyen d'un câble HDMI, comme indiqué.

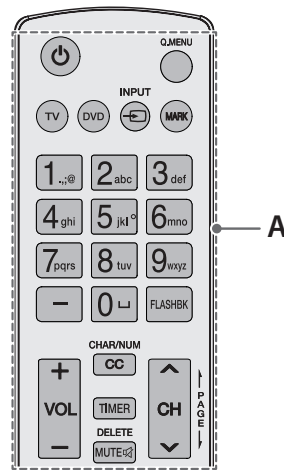
- Formats audio pris en charge par la fonction HDMI : Dolby Digital (32 kHz / 44,1 kHz / 48 kHz), PCM (32 kHz / 44,1 kHz / 48 kHz / 96 kHz / 192 kHz) (Selon le modèle)
- Utilisez uniquement avec la prise stéréo de 3,5 mm à trois pôles.
- Ne branchez pas votre casque ou vos écouteurs sur le port de branchement pour haut-parleurs externes.

Télécommande

(Certains boutons et services peuvent ne pas être offerts selon le modèle ou la région.)

Les descriptions qui se trouvent dans le présent manuel font référence aux touches qui se trouvent sur la télécommande. Veuillez lire le présent manuel attentivement et utiliser le téléviseur correctement.

Pour installer les piles, ouvrez le couvercle de leur compartiment et insérez les piles (AAA de 1,5 V) en faisant correspondre leurs bornes (+) et (-) à celles du compartiment, puis remettez le couvercle en place. Le non-respect des polarités de la pile pourrait causer l'explosion de la pile ou une fuite et entraîner un incendie, des blessures corporelles ou un risque de pollution pour l'environnement. Pour retirer les piles, suivez le processus d'installation dans l'ordre inverse. Cette télécommande fonctionne au moyen de la lumière infrarouge. Assurez-vous d'orienter la télécommande vers le capteur de télécommande du téléviseur.



A

⏻ (Marche/Arrêt) Allume ou éteint le téléviseur.

Q.MENU Non fonctionnel.

TV Permet de sélectionner le mode de fonctionnement de la télécommande : TV.

DVD Permet de sélectionner le mode de fonctionnement de la télécommande : DVD.

INPUT Change de source d'entrée.

MARK Non fonctionnel.

Touches numérotées Permettent d'entrer des lettres et des chiffres.

- (Tiret) Insère un tiret entre des chiffres, comme 2-1 et 2-2.

FLASHBK Permet de syntoniser la dernière chaîne ou le dernier contenu visionné.

+ VOL - Règle le volume.

CHAR/NUM Alterne entre les modes d'entrée de lettres et de chiffres.

CC Permet de sélectionner un sous-titrage.

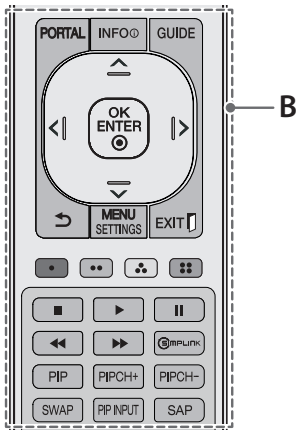
TIMER Éteint le téléviseur après un certain laps de temps.

DELETE Supprime des lettres et des chiffres.

MUTE Désactive tous les sons.

^ CH v Parcourt les chaînes enregistrées.

| PAGE | Affiche l'écran précédent ou suivant.



B

PORTAL Affiche et supprime l'application Pro:Centric.

INFO Affiche de l'information sur l'émission en cours par l'entremise de l'application Pro:Centric.

GUIDE Affiche l'événement de l'application Pro:Centric en fonction du programmeur de temps.

Touches de navigation (haut / bas / gauche / droite) Permettent de faire défiler les menus ou les options.

OK ENTER Sélectionne des menus ou des options et confirme votre choix.

↶ Retourne à l'écran précédent.

MENU SETTINGS Permet d'accéder au menu principal.

EXIT Supprime tout ce qui est affiché à l'écran et permet de retourner au contenu télévisé.

• • • • Permettent d'accéder à diverses fonctions de certains menus.

■, ◀▶, ||, ▶▶ Touches de commande pour la lecture du contenu multimédia.

SIMPLINK Permet d'accéder aux dispositifs audio-vidéo connectés au téléviseur; ouvre le menu SIMPLINK.

PIP, PIPCH+/-, SWAP, PIP INPUT Non fonctionnel.

SAP Mode Analogique : Modifie le mode MTS (Mono, Stéréo ou SAP) Mode DTV : Permet de modifier la langue audio.

Réglages

Sélection du mode image

MENU SETTINGS ► IMAGE ► Mode image

Sélectionnez le mode image optimisé pour l'environnement de visionnement ou le programme.

- **Clair** Augmente les niveaux de contraste, de brillance et de netteté pour produire des images éclatantes.
- **Standard** Affiche les images aux niveaux standards de contraste, de brillance et de netteté.
- **APS** Le mode APS (économie d'énergie automatique) réduit la consommation d'énergie en réduisant l'éclairage de la télécommande.
- **Film / Jeu** Affiche l'image optimale pour les films et les jeux.
- **Sport** Mode d'image optimisé pour les matches de sport. Le terrain et les uniformes s'affichent dans des couleurs vives et des images d'une superbe clarté, même lors de mouvements rapides.
- Selon le signal d'entrée, la plage de modes d'image disponibles peut différer.
- Changer **Mode image** peut entraîner la modification des paramètres **Contrôle de la luminosité en fonction du mouvement**, et avoir des répercussions sur la consommation d'énergie.

Réglage des options d'image supplémentaires

MENU SETTINGS ► IMAGE ► Options d'image

Ajuste les réglages d'image détaillés.

- **Réduction bruit vidéo** Élimine le bruit de l'image.
- **Réduction de bruit MPEG** Élimine le bruit généré lors de la création de signaux d'image numériques.
- **Niveau noir** Règle la brillance et le contraste de l'écran pour les adapter au niveau de noir.
- **Cinéma véridique** Optimise l'écran pour le visionnement de films.
- **Contrôle de la luminosité en fonction du mouvement** Règle automatiquement la luminosité et réduit le flou de l'image en fonction des données d'image afin de réduire la fatigue oculaire.
- Selon le signal d'entrée ou d'autres réglages de l'image, les possibilités de réglage peuvent différer.

Licences

Les licences prises en charge peuvent différer selon le modèle. Pour obtenir de plus amples renseignements sur les licences, visitez le site www.lg.com.



Fabriqué sous licence de Dolby Laboratories. Dolby, Dolby Vision, Dolby Audio et le symbole double-D sont des marques déposées de Dolby Laboratories.



The terms HDMI and HDMI High-Definition Multimedia Interface, and the HDMI logo are trademarks or registered trademarks of HDMI Licensing LLC in the United States and other countries.

FRANÇAIS



This DivX Certified® device has passed rigorous testing to ensure it plays DivX® video.

To play purchased DivX movies, first register your device at vod.divx.com. Find your registration code in the DivX VOD section of your device setup menu.

DivX Certified® to play DivX® video up to HD 1080p, including premium content.

DivX®, DivX Certified® and associated logos are trademarks of DivX, LLC and are used under license.

Covered by DivX Patents 7,295,673; 7,515,710; RE45,052; and others available at [www.divx.com/patents]

Informations sur les logiciels libres

Pour obtenir le code source conformément aux dispositions de la licence publique générale, de la licence publique générale limitée, de la licence publique Mozilla et de toute autre licence régissant les logiciels à code source libre contenus dans cet appareil, visitez le site <http://opensource.lge.com>. En plus du code source, toutes les dispositions de licence, les exonérations de garantie et les avis de droits d'auteurs peuvent aussi être téléchargés. LG Electronics mettra également à votre disposition le code source libre sur CD-ROM pour un prix couvrant le coût de la distribution (coût du support, de l'expédition et de la manutention) sur simple demande par courriel à l'adresse opensource@lge.com. Cette offre est valable pendant trois (3) années à compter de la date d'achat du produit.

Mise à jour du micrologiciel

(Selon le modèle)

Vous pouvez mettre à jour le micrologiciel du produit en téléchargeant la version la plus récente.

- 1 Téléchargez-la sur partner.lge.com. (Inscription et ouverture de session requises.)
- 2 Créez un dossier appelé « LG_DTV » ou « lg_dtv » sur une clé USB.
- 3 Déplacez le fichier téléchargé dans le dossier que vous avez créé.
- 4 Branchez la clé USB au port USB de votre téléviseur.
- 5 Lorsqu'une fenêtre contextuelle apparaît, démarrez la mise à jour en suivant les instructions.

Dépannage

Le logiciel peut être mis à jour afin d'en améliorer la performance. Le client a la responsabilité de s'assurer de la compatibilité de son matériel avec tout logiciel fourni par LG Electronics. Au besoin, communiquez avec LG Electronics et mettez à jour les versions de vos logiciels conformément aux directives de LG Electronics.

- La télécommande ne fonctionne pas.
 - Assurez-vous que rien n'a été placé sur le récepteur (du ruban adhésif, par exemple).
 - Vérifiez qu'aucun obstacle n'empêche la communication entre l'appareil et la télécommande.
 - Remplacez les piles par de nouvelles.
- Le téléviseur ne produit pas d'images ni de son.
 - Vérifiez que le téléviseur est allumé.
 - Vérifiez que le cordon d'alimentation est branché dans une prise murale.
 - Vérifiez que la prise murale fonctionne en y branchant d'autres appareils.
- Le téléviseur s'éteint brusquement.
 - Vérifiez les réglages de l'alimentation. Il y a peut-être eu une coupure de courant.
 - Vérifiez si la fonction de **Mise en arrêt / Minuterie** a été activée dans les réglages **HEURE**.
 - En l'absence de signal, le téléviseur s'éteint automatiquement au bout de 15 minutes d'inactivité.
- **Affichage anormal**
 - Si le téléviseur est froid au toucher, il peut produire un léger scintillement quand on l'allume. Cela est normal; le téléviseur n'est pas défectueux. Pendant quelques minutes, des défauts de points peuvent être visibles à l'écran, apparaissant comme de petites taches rouges, vertes ou bleues. Toutefois, ils ne produisent aucun effet indésirable sur la performance du téléviseur. Évitez de toucher l'écran ACL ou de mettre vos doigts sur celui-ci pendant une longue période de temps. Cela pourrait produire un effet de distorsion à l'écran.
 - Cet écran est un produit de haute technologie qui contient des millions de pixels. Dans de rares cas, vous pourriez voir de petits points sur l'écran lors du visionnement. Ces points sont des pixels désactivés ne nuisant pas à la performance et à la fiabilité du téléviseur.
 - L'affichage d'une image fixe pendant une longue période peut entraîner l'incrustation de l'image. Évitez de laisser une image fixe affichée à l'écran pendant une période prolongée.

• Sons produits

- **Craquement** Un craquement survenant pendant le visionnement ou lors de l'arrêt du téléviseur est produit par une contraction thermique du plastique causée par la chaleur ou l'humidité. Ce bruit est courant dans les produits où une déformation thermique est requise.
- **Bourdonnement du circuit ou du panneau électrique** Un bruit très faible est produit par un circuit commutateur haute vitesse fournissant une grande quantité de courant pour faire fonctionner un appareil. Il varie selon l'appareil. Ce son ne nuit aucunement à la performance ou à la fiabilité de l'appareil.

Caractéristiques

Les caractéristiques techniques sont susceptibles d'être modifiées sans préavis en raison des mises à niveau des fonctions des produits.

Système télévisuel

ATSC, NTSC-M, 64 et 256 QAM

Programmation

VHF 2-13, UHF 14-69, DTV 2-69, CATV 1-135, CADTV 1-135

Impédance de l'antenne externe

75 Ω

Conditions d'utilisation

- **Température de fonctionnement**
De 0 °C à 40 °C (de 32 °F à 104 °F)
- **Humidité de fonctionnement**
Moins de 80 %
- **Température d'entreposage**
De - 20 °C à 60 °C (de -4 °F à 140 °F)
- **Humidité d'entreposage**
Moins de 85 %

Prise en charge du mode RGB (PC), HDMI (PC)

(Utilisez HDMI IN 1 pour le mode PC)

Résolution	Fréquence horizontale (kHz)	Fréquence verticale (Hz)
640 x 350	31,46	70,09
720 x 400	31,46	70,08
640 x 480	31,46	59,94
800 x 600	37,87	60,31
1 024 x 768	48,36	60,00
1 152 x 864	54,34	60,05
1 360 x 768	47,71	60,01
1 280 x 1 024 *	63,98	60,02
1 920 x 1 080 *	67,50	60,00

* FHD : 40/43/49/55LV560H,
40/43/49/55/65LV570H

Prise en charge du mode HDMI (TVN)

Résolution	Fréquence horizontale (kHz)	Fréquence verticale (Hz)
640 x 480p	31,46	59,94
	31,50	60,00
720 x 480p	31,47	59,94
	31,50	60,00
1 280 x 720p	44,96	59,94
	45,00	60,00
1 920 x 1 080i	33,72	59,94
	33,75	60,00
1 920 x 1 080p	26,97	23,97
	27,00	24,00
	33,71	29,97
	33,75	30,00
	67,43	59,94
	67,50	60,00

Fichiers de photo pris en charge

- Catégorie : 2D (.jpeg, .jpg, .jpe)
[Type de fichier disponible]
SOF0 : Ligne de base,
SOF1 : Séquentiel étendu,
SOF2 : Progressif
[Taille de photo]
Minimum: 64 x 64,
Maximum : Type normal : 15 360 (W) x 8 640 (H),
Type progressif : 1 920 (W) x 1 440 (H)

- Catégorie : BMP
[Type de fichier disponible] .bmp
[Taille de photo] Minimum : 64 x 64,
Maximum : 9 600 x 6 400

- Catégorie : PNG
[Type de fichier disponible] entrelacé, non entrelacé
[Taille de photo]
Minimum: 64 x 64,
Maximum : Entrelacé : 1 200 x 800,
non entrelacé : 9 600 x 6 400

- Les fichiers BMP et PNG peuvent s'afficher plus lentement que les JPEG.

- Les fichiers d'image ou de photo non standard pourraient ne pas s'afficher.

Fichiers de musique pris en charge

- Type de fichier : mp3
[Débit binaire] de 32 à 320 kb/s
[Fréquence d'échantillonnage] de 16 à 48 kHz
[Formats pris en charge] MPEG-1, MPEG-2, Couche2, Couche3

- Type de fichier : AAC
[Débit binaire] Format libre
[Fréquence d'échantillonnage] de 8 à 48 kHz
[Formats pris en charge] ADIF, ADTS

- Type de fichier : M4A
[Débit binaire] Format libre
[Fréquence d'échantillonnage] de 8 à 48 kHz
[Formats pris en charge] MPEG-4

- Type de fichier : OGG
[Débit binaire] Format libre
[Fréquence d'échantillonnage] ~48 kHz
[Formats pris en charge] Vorbis

- Type de fichier : WMA
[Débit binaire] de 128 à 320 kb/s
[Fréquence d'échantillonnage] de 8 à 48 kHz
[Format pris en charge] WMA7, 8, 9 Standard

- Type de fichier : WMA 10 Pro
[Débit binaire] ~ 768 kb/s
[Canal/fréquence d'échantillonnage]
M0 : jusqu'à 2 canaux à 48 kHz,
M1 : jusqu'à 5,1 canaux à 48 kHz,
M2 : jusqu'à 5,1 canaux à 96 kHz
[Formats pris en charge] WMA 10 Pro

Fichiers vidéo pris en charge

Maximum : 1 920 x 1 080 @ 30p (uniquement Motion JPEG 640 x 480 @ 30p)

- .asf, .wmv

[Vidéo] MPEG-2, MPEG-4 Partie2, DivX3.11, DivX4, DivX5, DivX6, XViD, H.264/AVC, VC1 (WMV3, WVC1), MP43

[Audio] WMA Standard, WMA9(Pro), MP3, AAC, AC3, 3D WMV Single Stream

- .divx, .avi

[Vidéo] MPEG-2, MPEG-4 Partie2, DivX3.11, DivX4, DivX5, DivX6, XViD, H.264/AVC

[Audio] HE-AAC, LPCM, ADPCM, MPEG-1 Couche I, MPEG-1 Couche II, Dolby Digital, MPEG-1 Couche III (MP3), *DTS

- .ts, .trp, .tp, .mts, .m2ts

[Vidéo] H.264/AVC, MPEG-2, AVS, VC1

[Audio] MPEG-1 Couche I, MPEG-1 Couche II, MPEG-1 Couche III (MP3), Dolby Digital, Dolby Digital Plus, AAC, HE-AAC, *DTS

- .vob

[Vidéo] MPEG-1, MPEG-2

[Audio] Dolby Digital, MPEG-1 Couche I, MPEG-1 Couche II, DVD-LPCM

- .mp4, .m4v, .mov

[Vidéo] MPEG-2, MPEG-4 Partie2, DivX3.11, DivX4, DivX5, XViD, H.264/AVC

[Audio] AAC, MPEG-1 Couche III (MP3), *DTS

- .mkv

[Vidéo] MPEG-2, MPEG-4 Partie2, DivX3.11, DivX4, DivX5, DivX6, XViD, H.264/AVC

[Audio] HE-AAC, Dolby Digital, MPEG-1 Couche III (MP3), *DTS, LPCM

- .mpg, .mpeg, .mpe

[Vidéo] MPEG-1, MPEG-2

[Audio] MPEG-1 Couche I, MPEG-1 Couche II, Dolby Digital, LPCM

- .dat

[Vidéo] MPEG-1, MPEG-2

[Audio] MP2

- .flv

[Vidéo] Sorenson H.263, H.264/AVC

[Audio] MP3, AAC, HE-AAC

- .3gp, .3gp2

[Vidéo] H.264/AVC, MPEG-4 Partie2

[Audio] AAC, AMR(NB/WB)

*DTS: Selon le modèle

Réglementation

RENSEIGNEMENTS RELATIFS À LA RÉGLEMENTATION DE LA FCC

(Pour les États-Unis)

Cet équipement a été testé et jugé conforme aux limites relatives aux appareils numériques de catégorie B imposées par le paragraphe 15 de la réglementation de la FCC. Ces limites sont établies afin d'offrir une protection raisonnable contre les interférences nuisibles dans une résidence. Cet équipement génère, utilise et peut diffuser de l'énergie de radiofréquences et, s'il n'est pas installé et utilisé conformément aux instructions, il peut causer des interférences nuisibles aux communications radio. Cependant, il n'existe aucune garantie qu'il n'y aura pas d'interférences dans une résidence particulière. Si cet équipement cause des interférences nuisibles à la réception radio ou télévision (pour s'en assurer, il suffit d'éteindre et de rallumer l'appareil), l'utilisateur est invité à essayer de corriger les interférences à l'aide de l'une ou de plusieurs des mesures suivantes :

- Réorienter ou déplacer l'antenne de réception;
- Augmenter la distance entre l'équipement et le récepteur;
- Brancher l'équipement sur un circuit électrique distinct de celui qui alimente le récepteur;
- Demander l'aide du distributeur ou d'un technicien qualifié en entretien et en réparation de matériel audio-vidéo.

Cet appareil est conforme aux limites imposées par le paragraphe 15 de la réglementation de la FCC. L'exploitation est autorisée aux deux conditions suivantes : (1) cet appareil ne doit pas provoquer de brouillage préjudiciable, et (2) cet appareil doit accepter toutes les interférences reçues, y compris celles pouvant causer un fonctionnement indésirable. Les modifications dans la fabrication de cet appareil qui ne sont pas expressément approuvées par l'autorité responsable de la conformité pourraient annuler l'autorisation accordée à l'utilisateur de faire fonctionner l'équipement.

Exigences de la FCC en matière d'interférences des fréquences radio (pour les appareils UNII)

Les radars à haute puissance sont attribués comme utilisateurs principaux des bandes de fréquence de 5,25 à 5,35 GHz et de 5,65 à 5,85 GHz. Les stations radars peuvent causer des interférences avec cet appareil ou l'endommager. Cet appareil ne peut pas être colocalisé avec tout autre émetteur.

Énoncé de la FCC sur l'exposition aux rayonnements RF

[Pour la fonction sans fil (WLAN, Bluetooth, etc.)]

Cet appareil est conforme aux limites d'exposition aux rayonnements de la FCC pour un environnement non contrôlé. Cet émetteur ne doit pas être colocalisé ni utilisé conjointement avec tout autre émetteur ou antenne. Cet appareil devrait être installé de façon à garder une distance minimale de 20 cm (7,8 po) entre l'antenne et l'utilisateur. Les utilisateurs doivent respecter les directives d'utilisation afin de satisfaire aux critères en matière d'exposition aux rayonnements RF.

Avis d'Industrie Canada

(Pour le Canada)

[Pour la fonction sans fil (WLAN, Bluetooth, etc.)]

Cet appareil est conforme aux normes CNR d'Industrie Canada applicables aux dispositifs exempts de licence. L'exploitation est autorisée aux deux conditions suivantes :

(1) Cet appareil ne doit pas provoquer d'interférences.

(2) Cet appareil doit accepter toutes les interférences,

y compris celles pouvant entraîner son dysfonctionnement.

Avis d'Industrie Canada sur l'exposition aux rayonnements

(Pour le Canada)

[Pour la fonction sans fil (WLAN, Bluetooth, etc.)]

Cet appareil est conforme aux limites d'exposition aux rayonnements d'Industrie Canada pour un environnement non contrôlé. Cet appareil devrait être installé de façon à garder une distance minimale de 20 cm (7,8 po) entre l'antenne et l'utilisateur.

REMARQUE : LE FABRICANT N'EST PAS RESPONSABLE DES INTERFÉRENCES RADIOÉLECTRIQUES CAUSÉES PAR DES MODIFICATIONS NON AUTORISÉES APPORTÉES À CET APPAREIL. DE TELLES MODIFICATIONS POURRAIENT ANNULER L'AUTORISATION ACCORDÉE À L'UTILISATEUR DE FAIRE FONCTIONNER L'APPAREIL.

(Pour le Canada)

[Pour un produit doté de la fonction sans fil utilisant la bande de fréquence de 5 GHz]

- Les dispositifs fonctionnant dans la bande de 5 150 à 5 250 MHz sont réservés uniquement pour une utilisation à l'intérieur afin de réduire les risques de brouillage préjudiciable aux systèmes de satellites mobiles utilisant les mêmes canaux.
- Pour les dispositifs avec une ou des antennes amovibles, le gain maximal d'antenne permis pour les dispositifs utilisant les bandes de 5 250 à 5 350 MHz et de 5 470 à 5 725 MHz doit être conforme à la limite de la p.i.r.e.
- Pour les dispositifs avec une ou des antennes amovibles, le gain maximal d'antenne permis (pour les dispositifs utilisant la bande de 5 725 à 5 850 MHz) doit être conforme à la limite de la p.i.r.e. spécifiée pour l'exploitation point à point et l'exploitation non point à point, selon le cas.
- Les piles angles d'inclinaison nécessaires pour rester conforme à l'exigence de la p.i.r.e. applicable au masque d'élévation, et énoncée dans l'article 6.2.2 (3), doivent être clairement indiqués. (appareils fonctionnant dans la bande de 5 250 à 5 350 MHz et dont la p.i.r.e. maximale dépasse 200 mW).
- Les utilisateurs de radars de haute puissance sont désignés utilisateurs principaux (c.-à-d., qu'ils ont la priorité) des bandes de 5 250 à 5 350 MHz et de 5 650 à 5 850 MHz. De plus, ces radars pourraient causer du brouillage ou des dommages aux dispositifs LAN-EL.

REMARQUE À L'INTENTION DES INSTALLATEURS DE RÉSEAUX CÂBLÉS

(Pour les États-Unis et le Canada)

Cette remarque a pour but d'attirer l'attention des installateurs de réseaux câblés sur l'article 820-40 du Code national de l'électricité (NEC). Ce code donne des lignes directrices concernant la mise à la terre appropriée de tels réseaux et, en particulier, il précise que le câble doit être relié à l'installation de mise à la terre du bâtiment, et ce, aussi près que possible de son point d'entrée.







AVERTISSEMENT!

Ne placez jamais un téléviseur sur une surface instable. Le téléviseur pourrait tomber et causer des blessures importantes, pouvant aller jusqu'à la mort. De nombreuses blessures, en particulier chez les enfants, peuvent être évitées en prenant des précautions simples comme :

- Utiliser des armoires ou des supports recommandés par le fabricant du téléviseur;
- Utiliser uniquement des meubles qui peuvent supporter le téléviseur de façon sécuritaire;
- S'assurer que le téléviseur ne dépasse pas le bord du meuble sur lequel il est installé;
- Ne pas placer le téléviseur sur un meuble élevé (une armoire ou une bibliothèque, par exemple) sans ancrer le meuble et le téléviseur à un support adéquat;
- Ne pas placer le téléviseur sur un tissu ou tout autre matériau inséré entre le téléviseur et le meuble sur lequel il est installé;
- Informer les enfants des dangers que représente le fait de grimper sur un meuble pour atteindre le téléviseur ou ses commandes.

Si votre téléviseur actuel doit être déplacé, tenez compte des mêmes précautions.

Symboles

	Se rapporte au courant alternatif (c.a.).
	Se rapporte au courant continu (c.c.).
	Se rapporte à un appareil de classe II.
	Se rapporte à la mise en veille.
	Se rapporte à la mise en marche (alimentation).
	Se rapporte à une tension dangereuse.

Guide d'utilisation de la SORTIE IR

Format de données pour télécommande recommandé/non recommandé

Élément	Code du format de données	Remarque
Format de données recommandé	NEC, format code de répétition Toshiba entier	Seul : Activer Répéter : Activer
	Format de code Philips RC5, RC6	
	Format de code Zenith	
Format de données non recommandé	Format de code Matsushita, RCA	Seul : Activer
	Format de code Sony 12/15/20 bits, Mitsubishi	Répéter : Désactiver
	Format de code Sharp, JVC, R-step, Philips RCMM, RECS-80, XMP	Seul : Désactiver Répéter : Désactiver

Caractéristiques du récepteur IR

Fréquence de l'opérateur	37,9 KHz
Crête de la longueur d'onde	940 nm
Longueur de salve minimale	Min. 300 us
Temps d'écart minimal requis	Min. 350 us
Longueur du mot de données	Moins de 100 ms
Temps d'écart minimal requis dans le flux de données	Min. 50 ms

Paramètre	Symbole	Conditions	Minimum	Type	Maximum	Unité
Largeur d'impulsion de sortie de niveau élevé	Tw _h	Vague de salve = 600 μs Période = 1,2 ms	400	-	800	μs
Largeur d'impulsion de sortie de niveau bas	Tw _l		400	-	800	μs



Si la télécommande n'est pas utilisée avec les formats de données recommandés, les signaux de sortie seront automatiquement supprimés par le récepteur IR. Dans ce cas, LG ne garantit pas le bon fonctionnement de la fonction IR. Vous trouverez ci-dessous deux méthodes pour en garantir le bon fonctionnement.

- Utiliser la télécommande avec les formats de données appropriés.
- Utiliser le récepteur à clé électronique IR du boîtier décodeur.



Attestation de conformité

Nom commercial LG
Modèle 32LV560H-UA, 32LV570H-UA,
40LV560H-UA, 40LV570H-UA,
43LV560H-UA, 43LV570H-UA,
49LV560H-UA, 49LV570H-UA,
55LV560H-UA, 55LV570H-UA,
65LV570H-UA
Partie responsable LG Electronics inc.
Adresse 1000, av. Sylvan, Englewood
Cliffs, NJ 07632 É.-U.
Téléphone: 201 266-2534

Service à la clientèle LG

Pour toute question ou commentaire, visitez le www.lg.com ou appelez :

1-855-286-2456 CANADA
1-888-865-3026 États-Unis, commercial

Les numéros de modèle et de série sont situés au dos et sur l'un des côtés du téléviseur. Inscrivez-les ci-dessous au cas où vous auriez besoin d'un service d'entretien ou de réparation.

MODÈLE _____
NUMÉRO DE SÉRIE _____