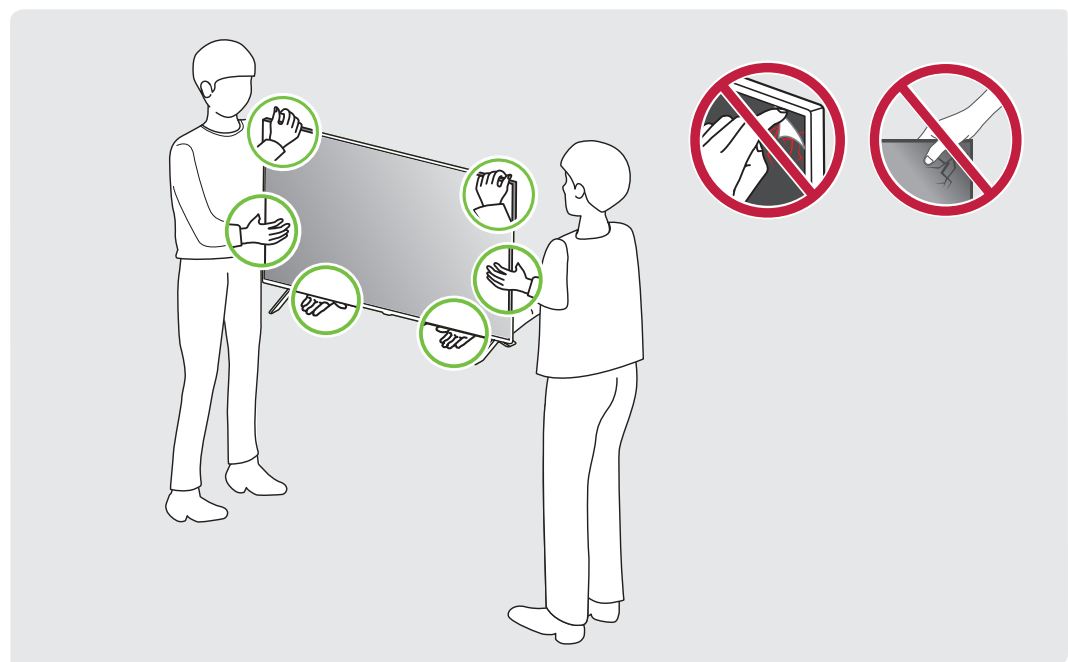
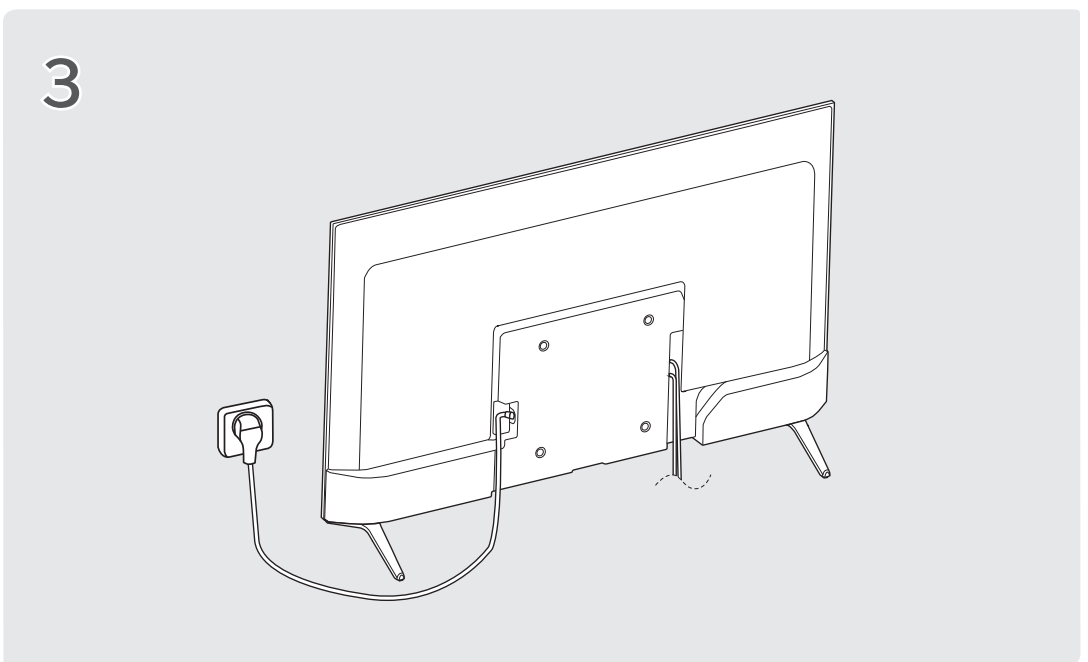
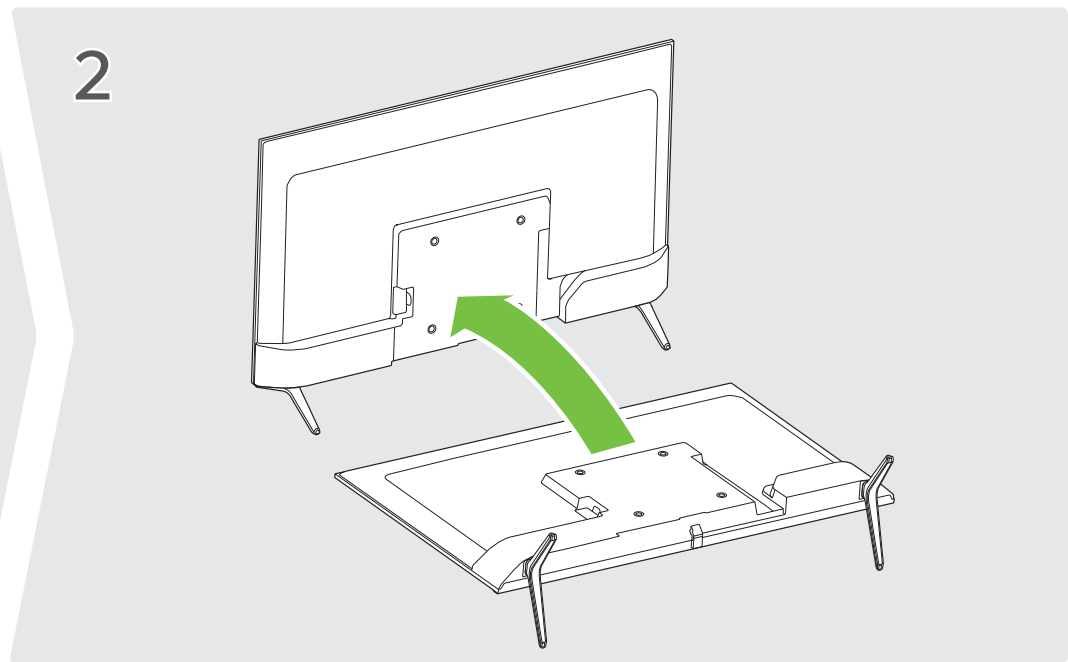
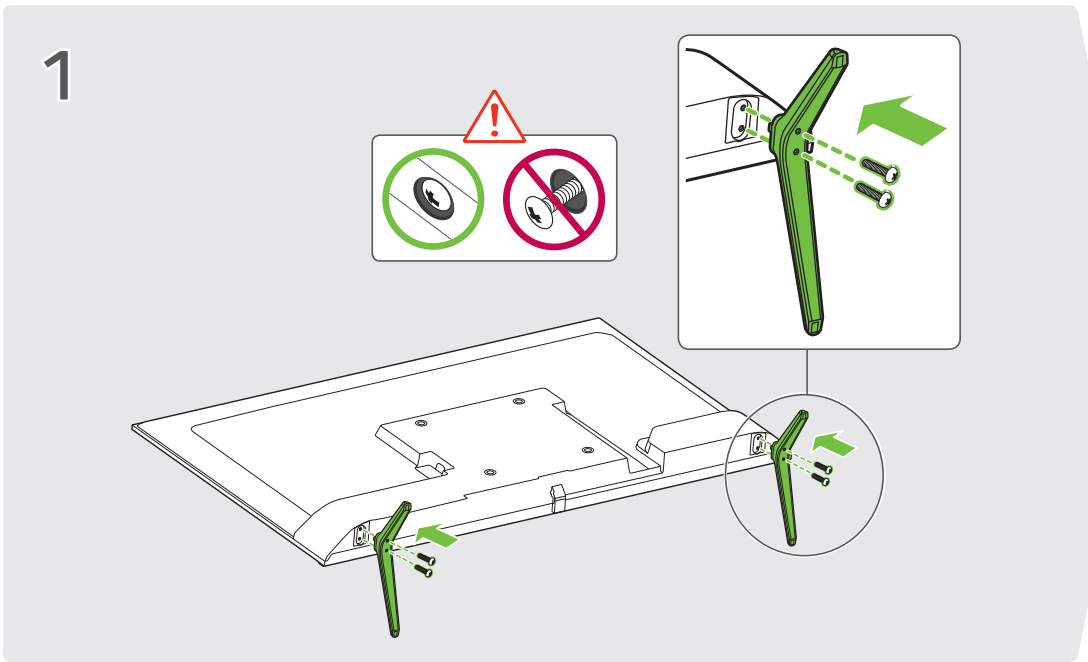
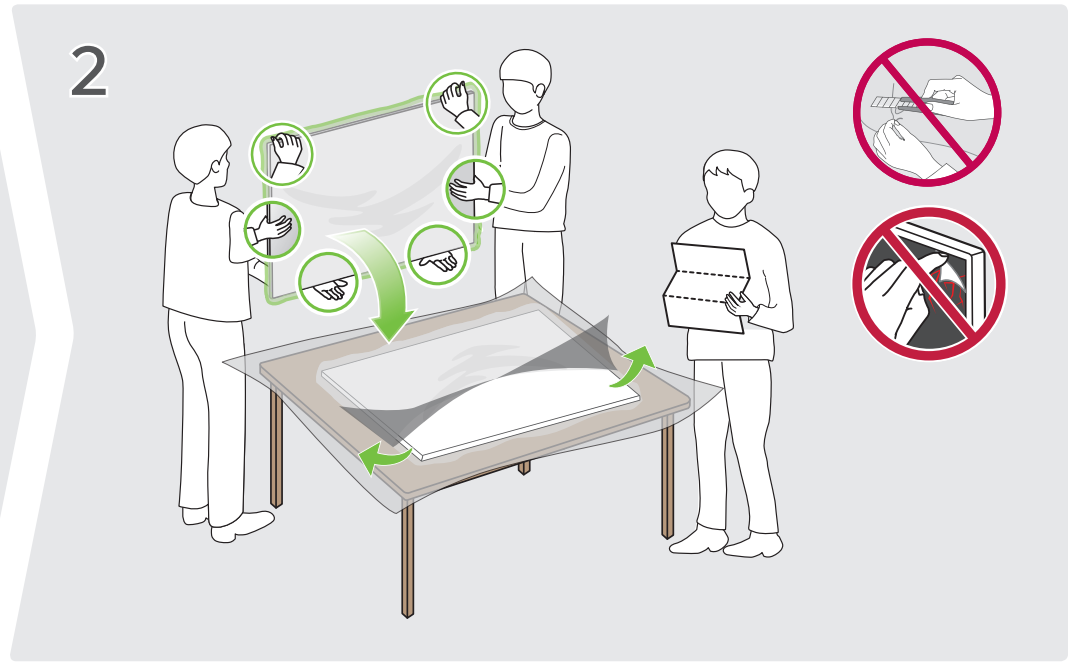
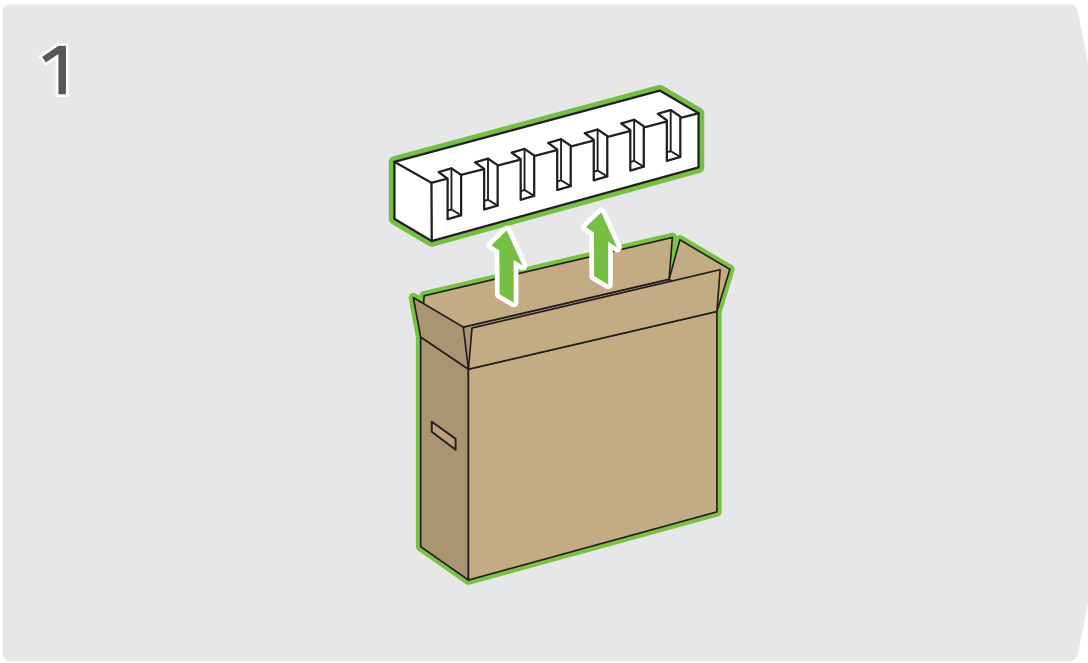
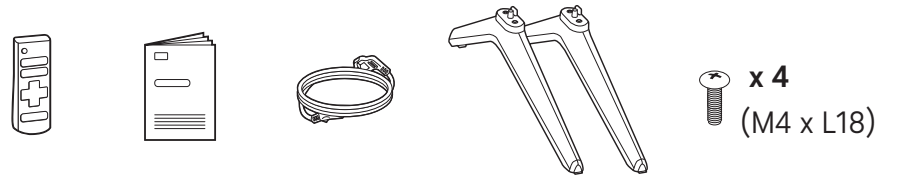
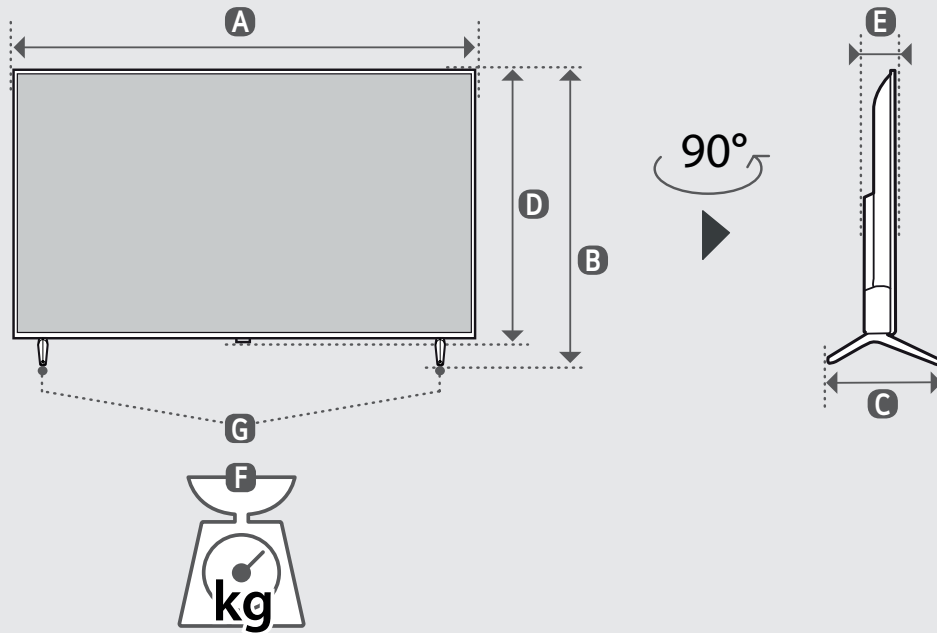
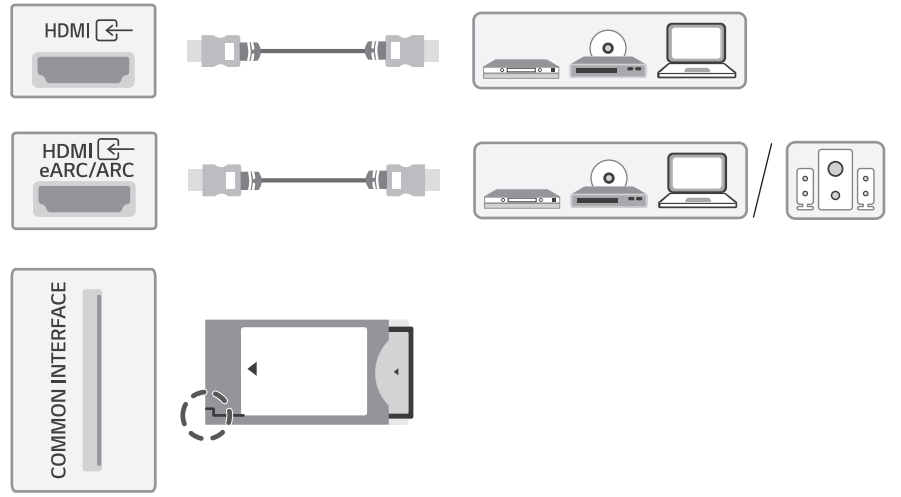
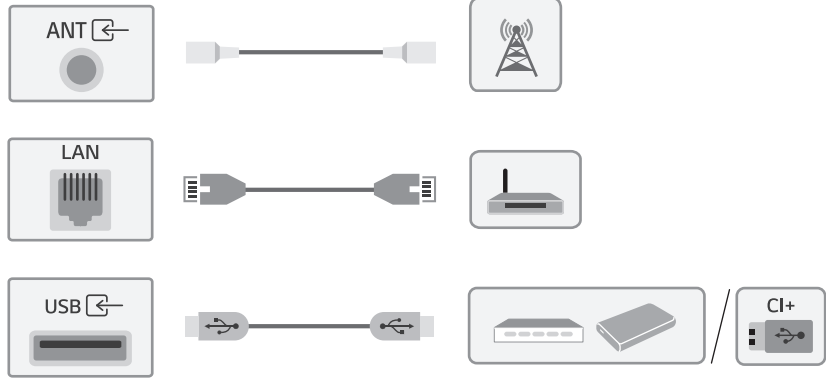


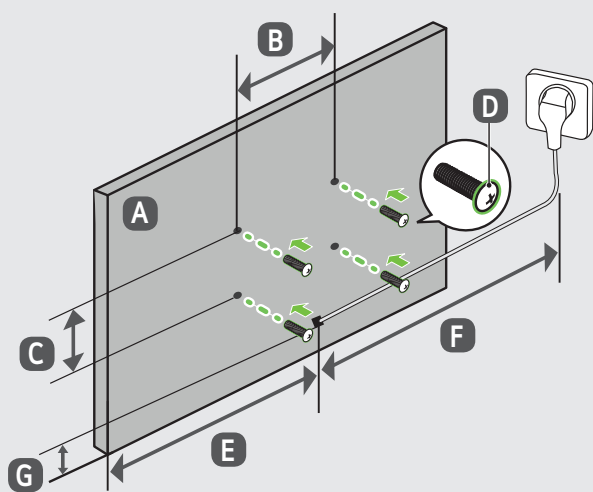


43NU80\* 50NU80\*





	mm					kg	
	A	B	C	D	E	F	F - G
<b>43NU80*</b>	957	626	251	560	67.8	5.7	5.6
<b>50NU80*</b>	1110	711	251	646	67.8	7.2	7.1



A	B x C (mm)	D	E (mm)	F (m)	G (mm)
<b>43NU80*</b>	200 x 200	M6	329	≥1.5	137
<b>50NU80*</b>			407		

\* : 0~9, A~Z