



ENGLISH

FRANÇAIS

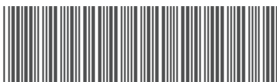
ES PAÑOL

INSTALLATION MANUAL

AIR CONDITIONER

Please read this installation manual completely before installing the product. Installation work must be performed in accordance with the national wiring standards by authorized personnel only. Please retain this installation manual for future reference after reading it thoroughly.

Multi Type



MFL63260133
Rev.00_071323

www.lghvac.com
www.lg.com

Copyright © 2023 LG Electronics Inc. All Rights Reserved.

FLEX MULTI SPLIT INSTALLATION INSTRUCTIONS

IMPORTANT!

Please read this instruction sheet completely before installing the product.

This air conditioning system meets strict safety and operating standards. As the installer or service person, it is an important part of your job to install or service the system so it operates safely and efficiently.

WARNING

- Installation or repairs made by unqualified persons can result in hazards to you and others. Installation MUST comply with local building codes or, in the absence of local codes, with the National Electrical Code NFPA 70/ANSI C1-1993 or current edition and Canadian Electrical Code Part1 CSA C.22.1.
- The information contained in this manual is intended for use by a qualified service technician familiar with safety procedures and equipped with the proper tools and test instruments.
- Failure to carefully read and follow all instructions in this manual can result in equipment malfunction, property damage, personal injury and/or death.
- Do not turn on the breaker or power under condition that front panel, cabinet, top cover, control box cover are removed or opened. Otherwise, it may cause fire, electric shock, explosion or death.

CAUTION: Improper installation, adjustment, alteration, service or maintenance can void the warranty.

The weight of the condensing unit requires caution and proper handling procedures when lifting or moving to avoid personal injury. Use care to avoid contact with sharp or pointed edges.

Safety Precautions

- Always wear safety glasses and work gloves when installing equipment.
- Never assume electrical power is disconnected. Check with meter and equipment.
- Keep hands out of fan areas when power is connected to equipment.
- R410A causes frostbite burns.
- R410A is toxic when burned.

NOTE TO INSTALLING DEALER: The Owners Instructions and Warranty are to be given to the owner or prominently displayed near the indoor Air Handler Unit.

SPECIAL WARNINGS

When wiring:

Electrical shock can cause severe personal injury or death. Only a qualified, experienced electrician should attempt to wire this system.

- Do not supply power to the unit until all wiring and tubing are completed or reconnected and checked.
- Highly dangerous electrical voltages are used in this system. Carefully refer to the wiring diagram and these instructions when wiring. Improper connections and inadequate grounding can cause accidental injury or death.
- Ground the unit following local electrical codes.
- Connect all wiring tightly. Loose wiring may cause overheating at connection points and a possible fire hazard.

When transporting:

Be careful when picking up and moving the indoor and outdoor units. Get a partner to help, and bend your knees when lifting to reduce strain on your back. Sharp edges or thin aluminum fins on the air conditioner can cut your fingers.

When installing...

... in a wall: Make sure the wall is strong enough to hold the unit's weight.

It may be necessary to construct a strong wood or metal frame to provide added support.

... in a room: Properly insulate any tubing run inside a room to prevent "sweating" that can cause dripping and water damage to wall and floors.

... in moist or uneven locations: Use a raised concrete pad or concrete blocks provide a solid, level foundation for the outdoor unit. This prevents water damage and abnormal vibration.

... in an area with high winds: Securely anchor the outdoor unit down with bolts and a metal frame. Provide a suitable air baffle.

... in a snowy area(for Heat Pump Model): Install the outdoor unit on a raised platform that is higher than drifting snow. Provide snow vents.

When connecting refrigerant tubing

- Keep all tubing runs as short as possible.
- Use the flare method for connecting tubing.
- Check carefully for leaks before starting the test run.

When servicing

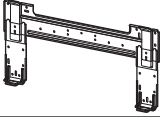
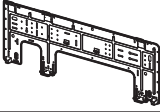
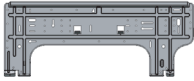
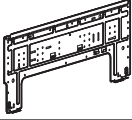














- Turn the power OFF at the main power box(mains) before opening the unit to check or repair electrical parts and wiring.
- Keep your fingers and clothing away from any moving parts.
- Clean up the site after you finish, remembering to check that no metal scraps or bits of wiring have been left inside the unit being serviced.

TABLE OF CONTENTS








4	INSTALLATION PARTS PROVIDED
5	SAFETY INSTRUCTIONS
8	INSTALLATION OF INDOOR, OUTDOOR UNIT
8	Select the best location
10	Seaside Applications and Installation
11	Seasonal Wind And Cautions In Winter
12	Piping length and elevation
14	INSTALLATION
14	Connecting the piping
18	How To Fix
19	Wiring Connection
19	Conduit connection
20	Ceiling dimension and hanging bolt location
21	How to Fix
21	Wiring Connection
21	Conduit connection
22	Installation of Wired Remote Controller(Optional)
24	Installation of Decorative Panel
26	Drain Piping
29	FLARING WORK AND CONNECTION OF PIPING
29	Flaring work
30	Connection of piping - Outdoor
33	Installation
34	Installation of The Main Unit
35	CONNECTING THE CABLE BETWEEN INDOOR UNIT, DISTRIBUTOR UNIT AND OUTDOOR UNIT
35	Connect the cable to the Indoor unit
36	Connect the cable to the Distributor unit
38	Connect the cable to the Outdoor unit
40	Connection method of the connecting cable(Example)
41	CHECKING THE DRAINAGE, INSULATING THE PIPE AND SPECIAL PIPING APPLICATIONS
41	Checking the drainage
41	Insulating the Pipe and Special Piping Applications
42	AIR PURGING AND EVACUATION
42	Leak Checking
43	Evacuation
44	CHARGING
46	INSTALLATION PI485
47	TEST RUNNING
48	FUNCTION
48	DIP S/W Setting
49	Forced Cooling Operation
50	Wiring Error Check
50	Saving Power Consumption
51	Night Quiet Mode
52	Mode Lock
53	PCB Display(18/24/60 k Model Only)
54	MAX COMBINATION CAPACITY

Installation Parts Provided










[Wall mounted / ART COOL Mirror]

Type 1	Type 2	Type 3		Type 4	
Installation plate	Installation plate	Installation plate		Installation plate	
					
Type "B" screw	Type "B" screw	Type "B" screw	Type "C" screw	Type "B" screw	Type "C" screw
					
Type "A" screw	Type "A" screw	Type "A" screw		Type "A" screw	
					
Remote control holder	Remote control holder	Remote control holder		Remote control holder	
					

[Ceiling Concealed Duct Type]

Name	Clamp metal	Insulation for fitting	Screws for duct flanges	Clamp	Conduit Bracket
Quantity	1 EA	1 set	1 set	8 EA	1 EA
Shape		 for gas pipe  for liquid pipe			 Conduit Bracket  Screw(M4) 2 EA


[Ceiling Cassette Type]

Name	Drain hose	Clamp metal	Washer for hanging bracket	Clamp	Conduit Bracket	Insulation for fitting	Remote control holder
Quantity	1 EA	1 EA	8 EA	8 EA	1 EA	1 SET	1 EA
Shape					 Conduit Bracket  Screw(M4) 2 EA	 for gas pipe  for liquid pipe	

Safety Instructions

The following safety guidelines are intended to prevent unforeseen risks or damage from unsafe or incorrect operation of the appliance.

The guidelines are separated into 'WARNING' and 'CAUTION' as described below.

-  This symbol is displayed to indicate matters and operations that can cause risk. Read the part with this symbol carefully and follow the instructions in order to avoid risk.

WARNING

This indicates that the failure to follow the instructions can cause serious injury or death.

CAUTION

This indicates that the failure to follow the instructions can cause the minor injury or damage to the product.

WARNING

Installation

- Always perform grounding.
 - Otherwise, it may cause electrical shock.
- Don't use a power cord, a plug or a loose socket which is damaged.
 - Otherwise, it may cause a fire or electrical shock.
- For installation of the product, always contact the service center or a professional installation agency.
 - Otherwise, it may cause a fire, electrical shock, explosion or injury.
- Securely attach the electrical part cover to the indoor unit and the service panel to the outdoor unit.
 - If the electrical part cover of the indoor unit and the service panel of the outdoor unit are not attached securely, it could result in a fire or electric shock due to dust, water, etc.
- Always install an air leakage breaker and a dedicated switching board.
 - No installation may cause a fire and electrical shock.
- Do not keep or use flammable gases or combustibles near the air conditioner.
 - Otherwise, it may cause a fire or the failure of product.
- Ensure that an installation frame of the outdoor unit is not damaged due to use for a long time.
 - It may cause injury or an accident.
- Do not disassemble or repair the product randomly.
 - It will cause a fire or electrical shock.
- Do not install the product at a place that there is concern of falling down.
 - Otherwise, it may result in personal injury.

* The figure can be changed according to model.

- Use caution when unpacking and installing.
 - Sharp edges may cause injury.
- Use a vacuum pump or Inert (nitrogen) gas when doing leakage test or air purge. Do not compress air or Oxygen and Do not use Flammable gases. Otherwise, it may cause fire or explosion.
 - There is the risk of death, injury, fire or explosion.

Operation

- Do not share the outlet with other appliances.
 - It will cause an electric shock or a fire due to heat generation.
- Do not use the damaged power cord.
 - Otherwise, it may cause a fire or electrical shock.
- Do not modify or extend the power cord randomly.
 - Otherwise, it may cause a fire or electrical shock.
- Take care so that the power cord may not be pulled during operation.
 - Otherwise, it may cause a fire or electrical shock.
- Unplug the unit if strange sounds, smell, or smoke comes from it.
 - Otherwise, it may cause electrical shock or a fire.
- Keep the flames away.
 - Otherwise, it may cause a fire.
- Take the power plug out if necessary, holding the head of the plug and do not touch it with wet hands.
 - Otherwise, it may cause a fire or electrical shock.
- Do not use the power cord near the heating tools.
 - Otherwise, it may cause a fire and electrical shock.
- Do not open the suction inlet of the indoor/outdoor unit during operation.
 - Otherwise, it may electrical shock and failure.
- Do not allow water to run into electrical parts.
 - Otherwise, it may cause the failure of machine or electrical shock.
- Hold the plug by the head when taking it out.
 - It may cause electric shock and damage.
- Never touch the metal parts of the unit when removing the filter.
 - They are sharp and may cause injury.
- Do not step on the indoor/outdoor unit and do not put anything on it.
 - It may cause an injury through dropping of the unit or falling down.
- Do not place a heavy object on the power cord.
 - Otherwise, it may cause a fire or electrical shock.
- When the product is submerged into water, always contact the service center.
 - Otherwise, it may cause a fire or electrical shock.
- Take care so that children may not step on the outdoor unit.
 - Otherwise, children may be seriously injured due to falling down.

 **CAUTION****Installation**

- Install the drain hose to ensure that drain can be securely done.
 - Otherwise, it may cause water leakage.
- Install the product so that the noise or hot wind from the outdoor unit may not cause any damage to the neighbors.
 - Otherwise, it may cause dispute with the neighbors.
- Always inspect gas leakage after the installation and repair of product.
 - Otherwise, it may cause the failure of product.
- Keep level parallel in installing the product.
 - Otherwise, it may cause vibration or water leakage.
- Do not install the unit in potentially explosive atmospheres.

Operation

- Avoid excessive cooling and perform ventilation sometimes.
 - Otherwise, it may do harm to your health.
- Use a soft cloth to clean. Do not use wax, thinner, or a strong detergent.
 - The appearance of the air conditioner may deteriorate, change color, or develop surface flaws.
- Do not use an appliance for special purposes such as preserving animals vegetables, precision machine, or art articles.
 - Otherwise, it may damage your properties.
- Do not place obstacles around the flow inlet or outlet.
 - Otherwise, it may cause the failure of appliance or an accident.

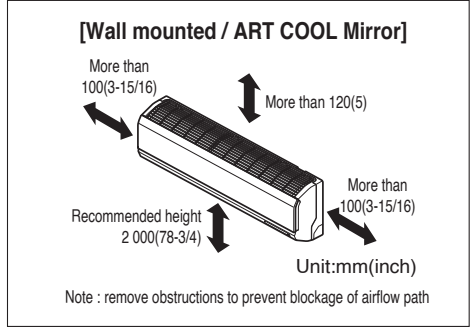
Installation of Indoor, Outdoor Unit

Read completely, then follow step by step.

Select the best location

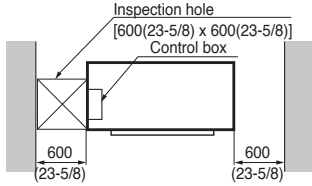
Indoor unit

1. Do not have any heat or steam near the unit.
2. Select a place where there are no obstacles in front of the unit.
3. Make sure that condensation drainage can be conveniently routed away.
4. Do not install near a doorway.
5. Ensure the unit is unobstructed, allow proper space on all sides according to the arrows and distance measurements in the figures.
6. Use a Metal Detector or Metal Scanner to locate studs to prevent unnecessary damage to the wall.

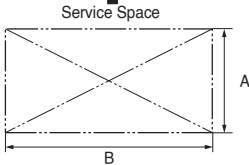
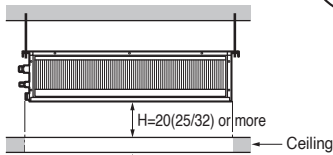


[Ceiling Concealed Duct Type]

Top view



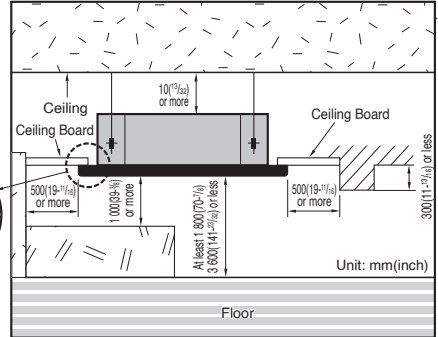
Front view



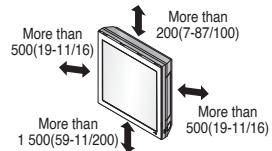
* Suitable dimension "H" is necessary to get a slope to drain as show in the figure.

Capacity(Btu/h class)	A	B
9/12 k	600(23-5/8)	900(35-7/16)
18 k	600(23-5/8)	1 100(43-5/16)

[Ceiling Cassette Type]



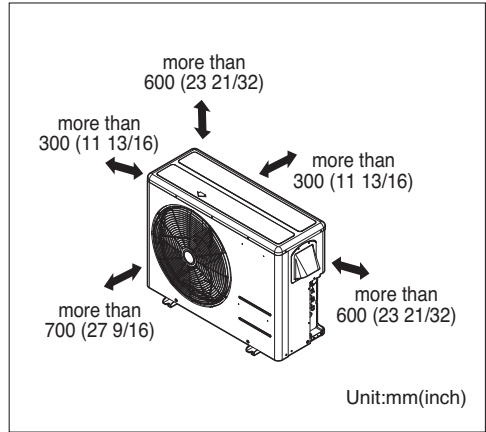
[ART COOL Gallery]



Unit: mm(inch)

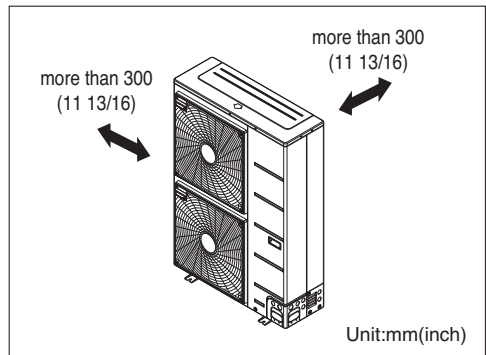
Outdoor unit

1. If an awning is built over the unit to prevent direct sunlight or rain exposure, make sure that heat radiation from the condenser is not restricted.
2. Ensure the unit is unobstructed, allow proper space on all sides according to the arrows and distance measurements in the figures.
3. Do not place animals and plants in the path of the warm air.
4. Take the air conditioner weight into account and select a place where noise and vibration are minimum.
5. Select a place so that the warm air and sound from the air conditioner does not disturb neighbors.
6. Place that can sufficiently endure the weight and vibration of the outdoor unit and where even installation is possible.
7. Place that has no direct influence of snow or rain.
8. Place with no danger of snowfall or icicle drop.
9. Place without weak floor or base such as decrepit part of the building or with a lot of snow accumulation.



Rooftop Installations:

If the outdoor unit is installed on a roof structure, be sure to level the unit. Ensure the roof structure and anchoring method are adequate for the unit location. Consult local codes regarding rooftop mounting.



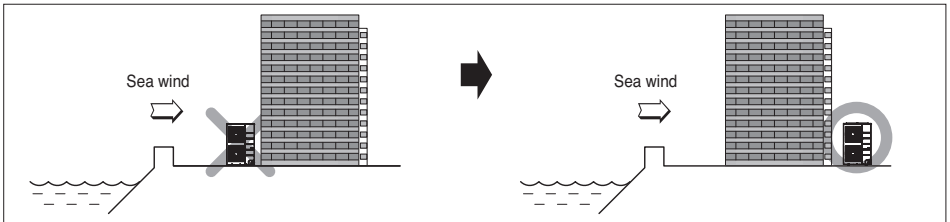
Seaside Applications and Installation

⚠ CAUTION

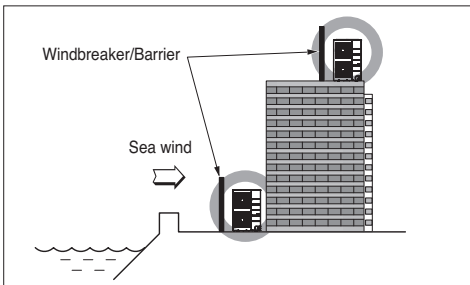
1. Air conditioners should not be installed in areas where corrosive gases, such as acid or alkaline gas, are produced.
2. Do not install the product where it could be exposed to sea wind (salty wind) directly. It can result corrosion on the product. Corrosion, particularly on the condenser and evaporator fins, could cause product malfunction or inefficient performance.
3. If outdoor unit is installed close to the seaside, it should avoid direct exposure to the sea wind.

1. Selecting the location(Outdoor Unit)

- 1) If the outdoor unit is to be installed close to the seaside, direct exposure to the sea wind should be avoided. Install the outdoor unit on the opposite side of the sea wind direction.



- 2) In case, to install the outdoor unit on the seaside, set up a windbreaker/barrier, to lessen the unit's exposure to sea air



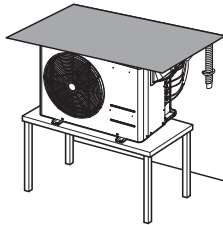
- It should be strong enough (like concrete) to obstruct the wind from the sea.
- The height and width should be more than 150 % of the outdoor unit.
- A minimum of 70 cm (27 1/16 inches) of space between outdoor unit and the windbreak for easy air flow.

- 3) Select a well-drained place.

Periodic (more than once/year) cleaning of the dust or salt particles stuck on the heat exchanger using water is recommended.

Seasonal Wind And Cautions In Winter

- Sufficient measures are required in a snow area or severe cold area in winter so that product can be operated well.
- Get ready for seasonal wind or snow in winter even in other areas.
- Install a suction and discharge duct not to let in snow or rain.
- Install the outdoor unit not to come in contact with snow directly. If snow piles up and freezes on the air suction hole, the system may malfunction. If it is installed at snowy area, attach the hood to the system.
- Install the outdoor unit at the higher installation console by 50 cm than the average snowfall (annual average snowfall) if it is installed at the area with much snowfall.
- Where snow accumulated on the upper part of the Outdoor Unit by more than 10 cm, always remove snow for operation.



1. The height of H frame must be more than 2 times the snowfall and its width shall not exceed the width of the product. (If width of the frame is wider than that of the product, snow may accumulate)
2. Don't install the suction hole and discharge hole of the Outdoor Unit facing the seasonal wind.

Piping length and elevation

Multi Piping Type

Unit : m(ft)

Outdoor Unit Capacity (Btu/h class)	Max total length of all pipes (A+B)/(A+B+C)/(A+B+C+D)	Max length of each pipe (A/B/C/D)	Min length of each pipe (A/B/C/D)	Max Elevation between each indoor unit and outdoor unit (h1)	Max elevation between indoor units (h2)	Max. Combination of Indoor unit (Btu/h class)
18 k	50(164)	25(82)	3(10)	15(49)	7.5(25)	24 k
24 k	70(230)	25(82)	3(10)	15(49)	7.5(25)	33 k
30 k	75(246)	25(82)	3(10)	15(49)	7.5(25)	40 k
36 k	75(246)	25(82)	3(10)	15(49)	7.5(25)	48 k

Calculation method for total capacity index = sum up the capacity index of connected indoor units.

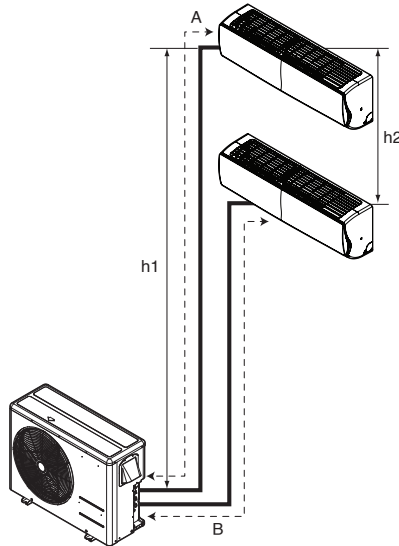
* Total capacity index = [Sum of all VAHU & Ceiling Concealed Duct (High Static) type indoor units capacity (if any)] x 1.3 + Sum of all other indoor unit's capacity

* The multiplier(1.3) is only necessary for calculation of combination ratio.

* For combinations where it contains one of below conditions, multiplier is 1.2 instead of 1.3. (See example 3)

- 1) ONE 24 k high static ducted unit/VAHU AND ONE 24 k high static ducted unit/VAHU
- 2) ONE 24 k high static ducted unit/VAHU AND ONE 36 K high static ducted unit/VAHU

Indoor unit Capacity (Btu/h class)	Pipe Diameter Unit : mm(inch)	
	Gas	Liquid
7, 9, 12, 15 k	9.52(3/8)	6.35(1/4)
18, 24 k	12.7(1/2)	6.35(1/4)
36 k	15.88(5/8)	9.52(3/8)



CAUTION

Multiple Piping Type

Capacity is based on standard length and maximum allowance length is on the basis of reliability.

Distributor Piping Type

Unit : m(ft)

Outdoor Unit Capacity (Btu/h class)	Max total length of all pipes (Main + Branch pipes)	Max length of Main pipe (A+B+C)	Max length of Branch pipes	Max length of each Branch pipe	Min length of each pipe (Main / Branch pipes)	Max Elevation Between each indoor unit and outdoor unit (h1)	Max Elevation Between in-door (h2)	Max Combination of indoor unit
48 k	145(476)	55(180)	90(295)	15(49)	5(16.4)	30(98)	15(49)	65 k
54 k	145(476)	55(180)	90(295)	15(49)	5(16.4)	30(98)	15(49)	73 k
60 k	145(476)	55(180)	90(295)	15(49)	5(16.4)	30(98)	15(49)	81 k

Calculation method for total capacity index = sum up the capacity index of connected indoor units.

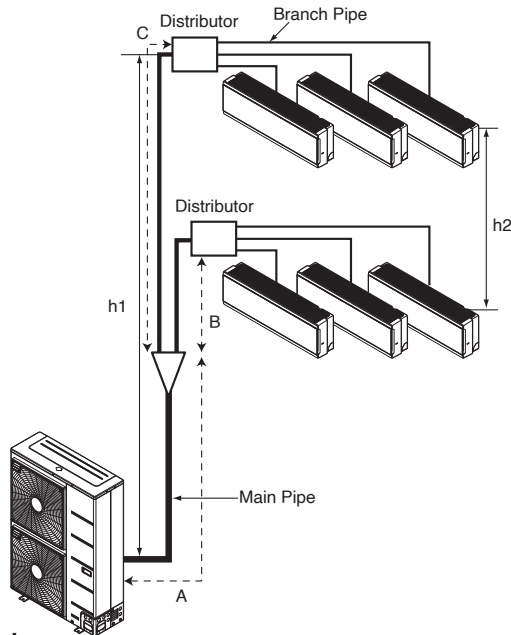
※ Total capacity index = [Sum of all VAHU & Ceiling Concealed Duct (High Static) type indoor units capacity (if any)] x 1.3 + Sum of all other indoor unit's capacity

※ The multiplier(1.3) is only necessary for calculation of combination ratio.

※ For combinations where it contains one of below conditions, multiplier is 1.2 instead of 1.3. (See example 3)

- 1) ONE 24 k high static ducted unit/VAHU AND ONE 24 k high static ducted unit/VAHU
- 2) ONE 24 k high static ducted unit/VAHU AND ONE 36 K high static ducted unit/VAHU

Indoor unit Capacity (Btu/h class)	Pipe Diameter Unit : mm(inch)	
	Gas	Liquid
7, 9, 12, 15 k	9.52(3/8)	6.35(1/4)
18, 24 k	12.7(1/2)	6.35(1/4)
36 k	15.88(5/8)	9.52(3/8)



CAUTION

Capacity is based on standard length and maximum allowance length is on the basis of reliability.

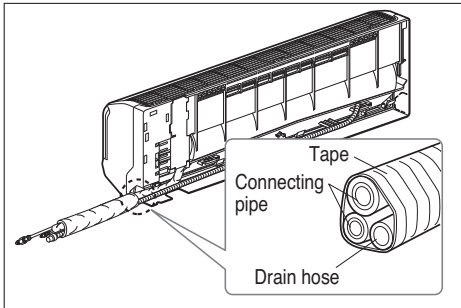
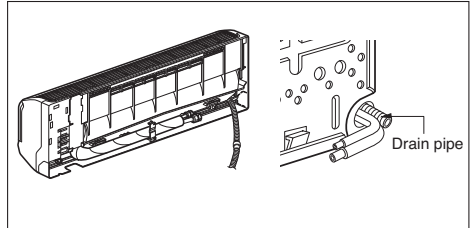
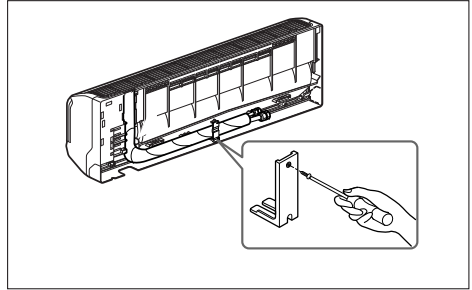
Installation

[Wall mounted / ART COOL Mirror]

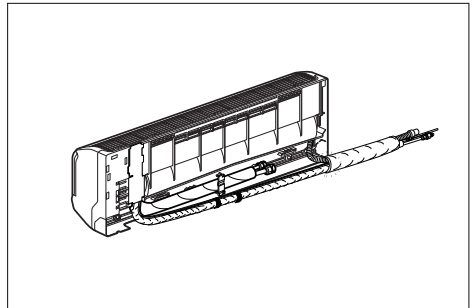
Connecting the piping

Standard / Artcool Mirror Type

1. Prepare the indoor unit's piping and drain hose for installation through the wall.
2. Remove the plastic tubing retainer(see the illustration on the right) and pull the tubing and drain hose away from chassis.
3. Route the indoor tubing and the drain hose to the required piping hole position.
4. Insert the piping, drain hose, and the connecting cable into the piping hole.
5. Insert the connecting cable into the indoor unit.
 - Don't connect the cable to the indoor unit.
 - Make a small loop with the cable for easy connection later.
6. Tape the tubing and drain hose.



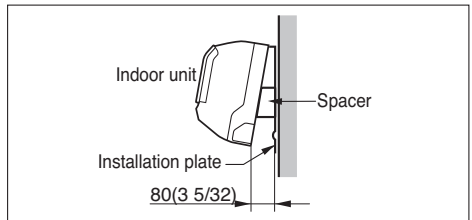
For right rear piping



For left rear piping

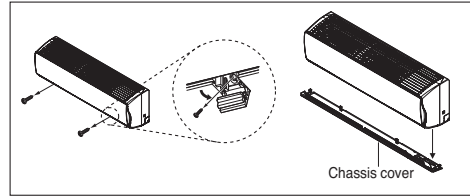
7. Indoor unit installation

- Hang the indoor unit from the hooks at the top of the installation plate.
- Insert the spacer etc. between the indoor unit and the installation plate and separate the bottom of the indoor unit from the wall.

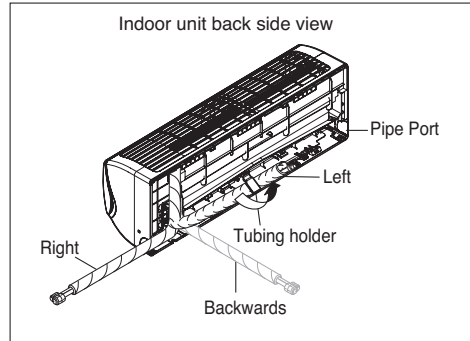


Standard Libero / Artcool Libero Type

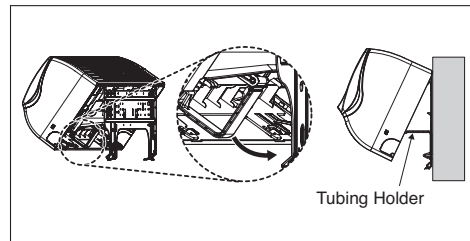
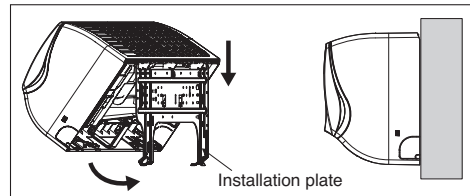
1. Pull the screw cap at the bottom of the indoor unit
2. Remove the chassis cover from the unit by loosening screws



3. Pull back the tubing holder.
4. Remove pipe port cover and positioning the tubing

**5. Indoor unit installation**

- 1) Hook the indoor unit onto the upper portion of the installation plate. (engage the three hooks at the top of the indoor unit with the upper edge of the installation plate) Ensure that the hooks are properly seated on the installation plate by moving it left and right
- 2) Unlock the tubing holder from the chassis and mount between the chassis and installation plate in order to separate the bottom side of the indoor unit from the wall

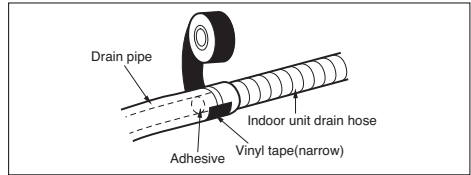
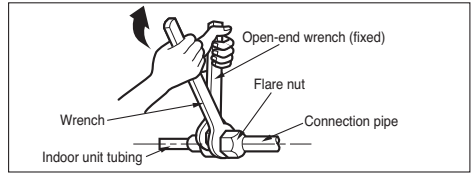
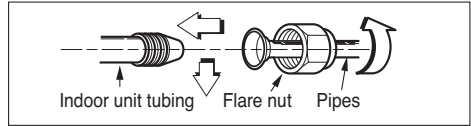


Connecting the piping to the indoor unit and drain hose to drain pipe.

1. Align the center of the pipes and sufficiently tighten the flare nut by hand.
2. Tighten the flare nut with a wrench.

Outside diameter		Torque		
mm	inch	N·m	kgf·m	lbf·ft
Ø 6.35	1/4	14~18	1.4~1.8	10~13
Ø 9.52	3/8	34~42	3.5~4.3	25~31
Ø 12.7	1/2	49~61	5.0~6.2	36~45
Ø 15.88	5/8	69~82	7.0~8.4	51~60
Ø 19.05	3/4	100~120	10.0~12.2	73~88

3. Next, extend the indoor unit's drain hose. Then attach the drain pipe.

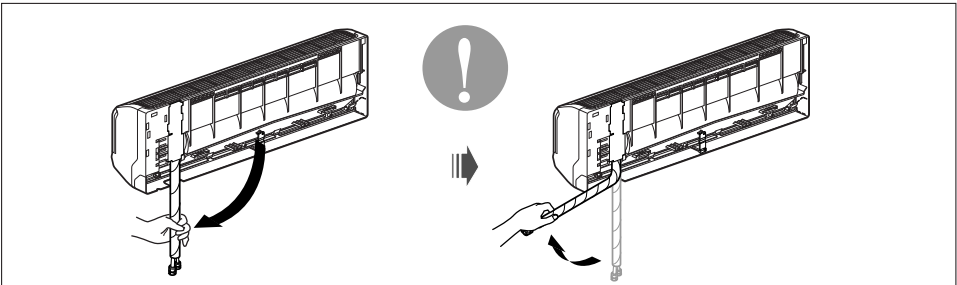


⚠ CAUTION

Installation Information. For left piping. Follow the instruction below.

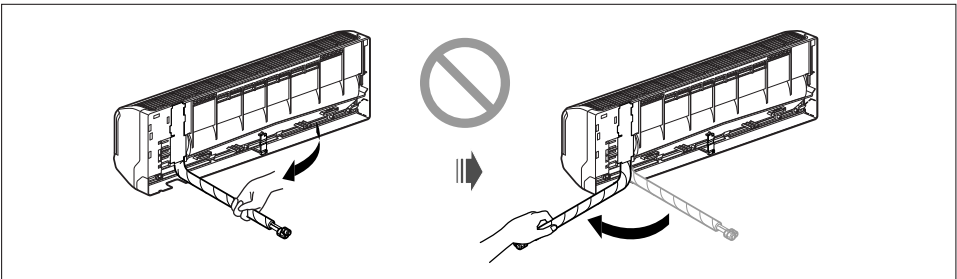
Good case

- Press on the upper side of clamp and unfold the tubing to slowly downward.



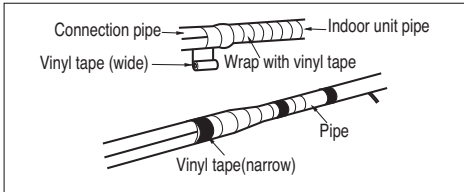
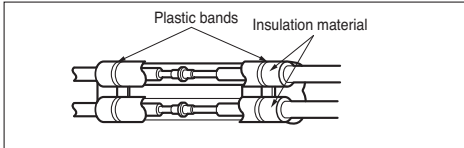
Bad case

- Bending the pipe from right to left may cause damage to the tubing.

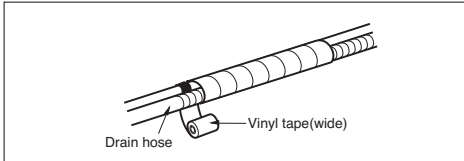


Wrap the insulation material around the connecting portion.

1. Overlap the connection pipe insulation and the indoor unit pipe heat insulation material. Bind them together with vinyl tape so that there is no gap.
2. Wrap the area which accommodates the rear piping housing section with vinyl tape.



3. Bundle the piping and drain hose together by wrapping them with vinyl tape over the range within which they fit into the rear piping housing section.

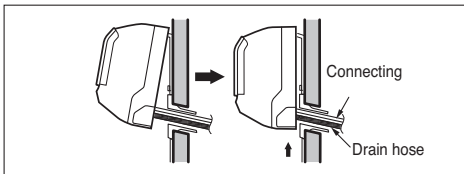
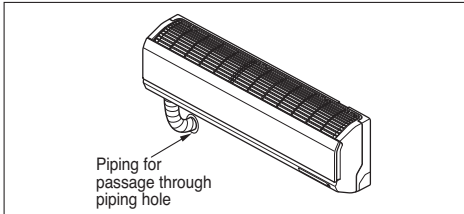


Reroute the pipings and the drain hose across the back of the chassis.

Finishing the indoor unit installation

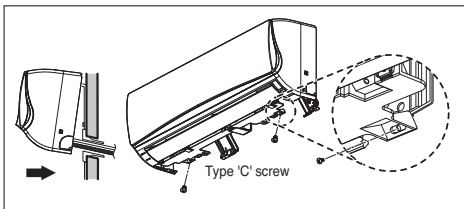
Standard / Artcool Mirror Type

1. Remove the spacer.
2. Ensure that the hooks are properly seated on the installation plate by moving it left and right.
3. Press the lower left and right sides of the unit against the installation plate until the hooks engage into their slots (clicking sound).



Standard Libero / Artcool Libero Type

1. Mount the tubing holder in the original position.
2. Ensure that the hooks are properly seated on the installation plate by moving it left and right.
3. Press the lower left and right sides of the unit against the installation plate until the hooks engage into their slots (clicking sound).
4. Finish the assembly by screwing the unit to the installation plate by using two pieces of type "C" screws. And assemble a chassis cover.

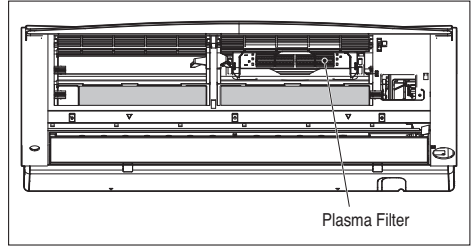


⚠ CAUTION

If the split type Indoor unit is installed in a wall having hole or opening near by or back side of the unit, then the air from other side of the wall can come inside the condition space through that hole / opening. That air can cause unwanted dew / water droplet formation when it comes in contact with body of the indoor unit. So all hole or opening on the wall must be blocked very well to avoid water dropping from the body of the unit.

Installation of filters

- 1) Detach two attached tapes from the plasma filter.

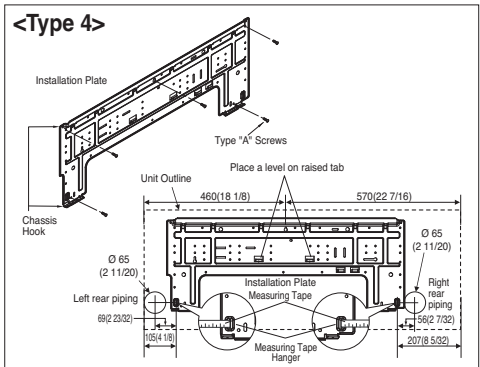
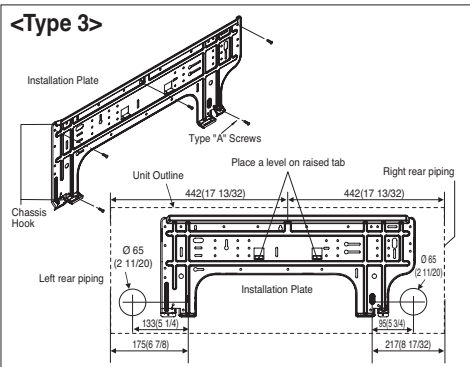
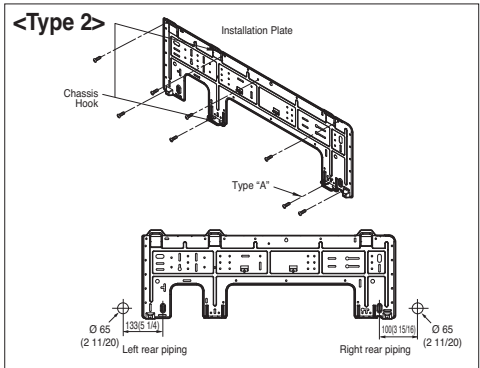
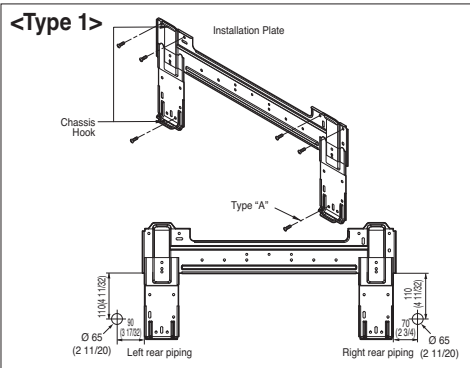


How To Fix

The wall you select should be strong and solid enough to prevent vibration

1. Mount the installation plate on the wall with type "A" screws. If mounting the unit on a concrete wall, use anchor bolts.
 - Mount the installation plate horizontally by aligning the centerline using a level.
2. Measure the wall and mark the centerline. It is also important to use caution concerning the location of the installation plate—routing of the wiring to power outlets is through the walls typically. Drilling the hole through the wall for piping connections must be done safely.

Indoor Type	Capacity (kBtu/h)	Type
Wall mounted / ART COOL Mirror	7/9/12/15	Type 1 / Type 3
	18/24	Type 2 / Type 4

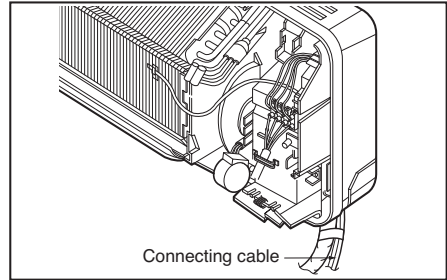


Wiring Connection

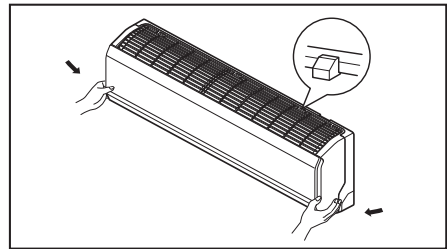
1. Connect the wires to the terminals on the control board individually according to the outdoor unit connection.
 - Ensure that the color of the wires of outdoor unit and the terminal No. are the same as those of indoor unit respectively.

Terminal Block in Indoor				
1(L1)	2(L2)	⊖	3	4

↑
Connected to Outdoor Unit



2. Attach the Grille onto the cabinet.
 - Grasp the lower left and right side of the Grille and engage four tabs on the top inside edge of the chassis.
 - Press the Grille toward the chassis until it goes back into place.

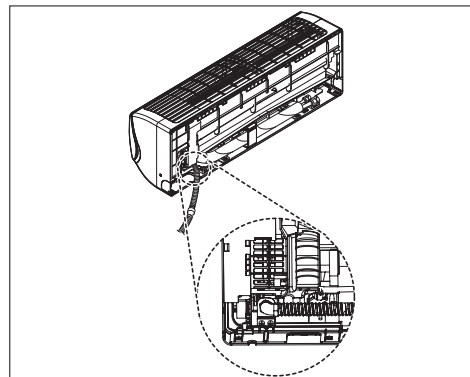
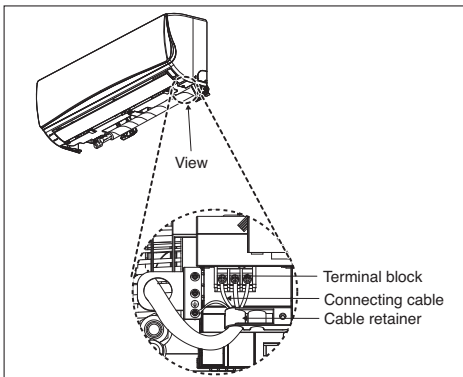
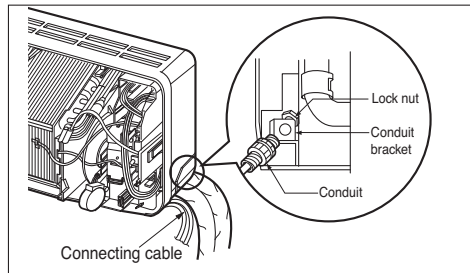
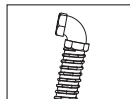


Conduit connection

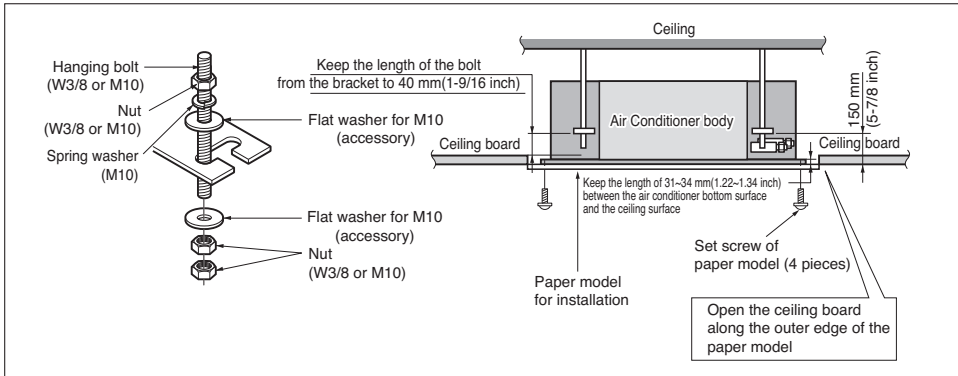
1. Set the connecting cable into the terminal block of indoor unit, and tighten set screw to lock the conduit bracket to the indoor unit.
2. Join the conduit and the conduit bracket together.

CAUTION

Must use the elbow type (L-Type) conduit.



How to Fix



• The following parts are local purchasing.

- ① Hanging Bolt - W 3/8 or M10
- ② Nut - W 3/8 or M10
- ③ Spring Washer - M10
- ④ Plate Washer - M10

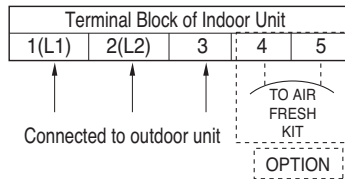
⚠ CAUTION

Tighten the nut and bolt to prevent unit from falling off.

Wiring Connection

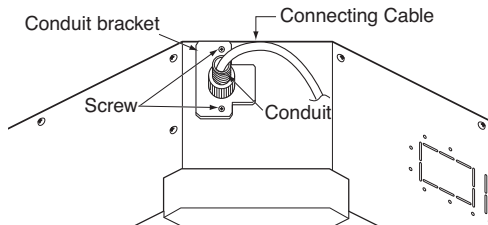
• Open the control box cover and connect the remote control cord and indoor power wires.

TQ/TR series



Conduit connection

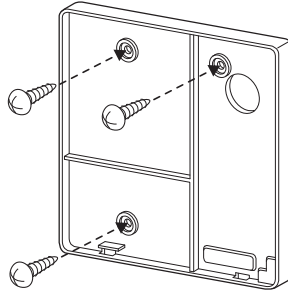
- Remove the busing rubber product attached on the indoor unit.
- Join the conduit and the conduit bracket together using nut.
- Set the connecting cable into the terminal block of indoor unit, and tighten set screw to lock the conduit bracket to the indoor unit.



Installation of Wired Remote Controller(Optional)

1. Please fix tightly using provided screw after placing remote controller setup board on the place where you like to setup.

- Please set it up not to bend because poor setup could take place if setup board bends.
Please set up remote controller board fit to the reclamation box if there is a reclamation box.
- Install the product so as not to make a gap with the wall side and to prevent shaking after the installation.

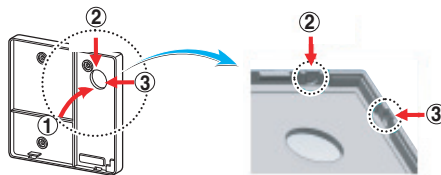


2. Can set up Wired remote controller cable into three directions.

- Setup direction: the surface of wall reclamation, upper, right
- If setting up remote controller cable into upper and right side, please set up after removing remote controller cable guide groove.

※ Remove guide groove with long nose.

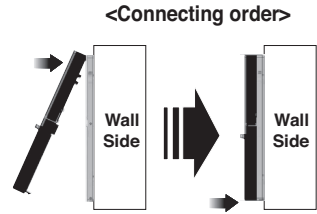
- ① Reclamation to the surface of the wall
- ② Upper part guide groove
- ③ Right part guide groove



<Wire guide grooves>

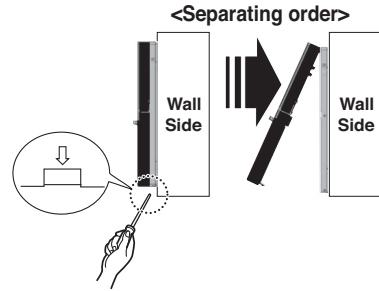
3. Please fix remote controller upper part into the setup board attached to the surface of the wall, as the picture below, and then, connect with setup board by pressing lower part.

- Please connect not to make a gap at the remote controller and setup board's upper and lower, right and left part.
- Before assembly with the installation board, arrange the Cable not to interfere with circuit parts.



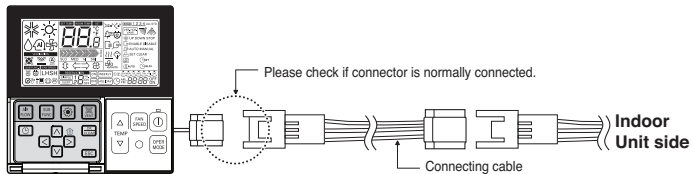
When separating remote controller from setup board, as the picture below, after inserting into the lower separating hole using screw driver and then, spinning clockwise, remote controller is separated.

- There are two separating holes. Please individually separate one at a time.
- Please be careful not to damage the inside components when separating.



4. Please connect indoor unit and remote controller using connection cable.

12 V	Red
Signal	Yellow
GND	Black



5. Please use extension cable if the distance between wired remote controller and indoor unit is more than 10 m(32.8 ft).

⚠ CAUTION

When installing the wired remote controller, do not bury it in the wall.
(It can cause damage in the temperature sensor.)

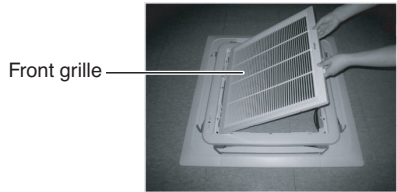
Do not install the cable to be 50 m(164 ft) or above.
(It can cause communication error.)

- When installing the extension cable, check the connecting direction of the connector of the remote controller side and the product side for correct installation.
- If you install the extension cable in the opposite direction, the connector will not be connected.
- Specification of extension cable: 2547 1007 22# 2 core 3 shield 5 or above.

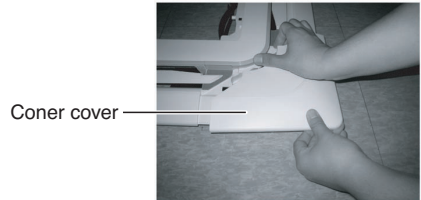
Installation of Decorative Panel

**The decorative panel has its installation direction.
Before installing the decorative panel, always remove the paper template.**

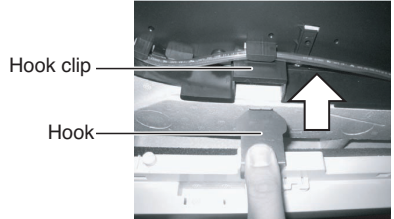
1. Remove the packing and take out air inlet grille from front panel.



2. Remove the Corner covers of the panel.

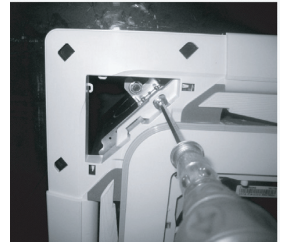


3. Fit the panel on the unit by inserting hooks as shown in picture.

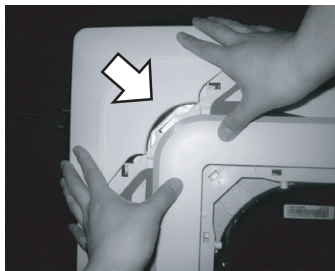


4. Insert two screws on diagonal corners of panel. Do not tighten the bolts completely. (The fixing screws are included in the indoor unit box.)

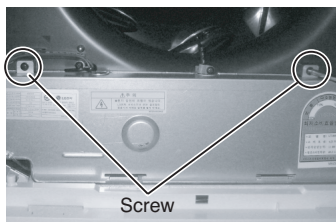
Check the alignment of panel with the ceiling. Height can be adjusted using hanging bolts as shown in picture. Insert the other two screws and tighten all screws completely.



5. Fit the corner covers.



6. Open two screws of control panel cover.

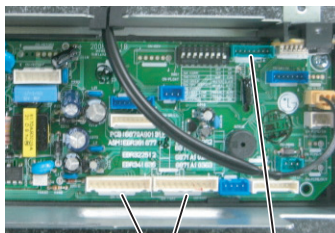


7. Connect one display connector and two vane control connectors of front panel to indoor unit PCB.

The position marking on PCB is as:

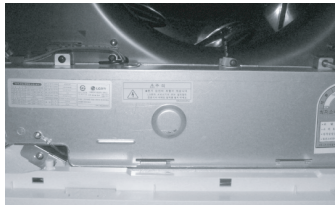
Display connector : CN-DISPLAY

Vane control connector: CN-VANE 1,2

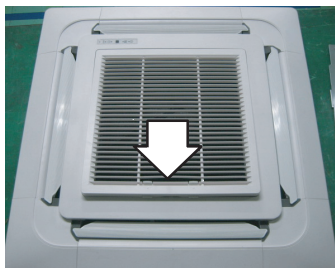


CN-VANE 1,2 CN-DISPLAY

8. Close the cover for control box.



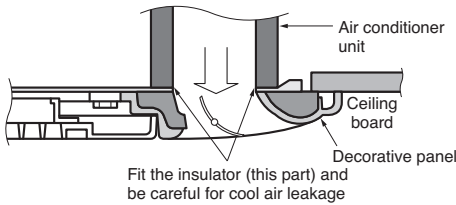
9. Install the air inlet grille and Filter on the panel.



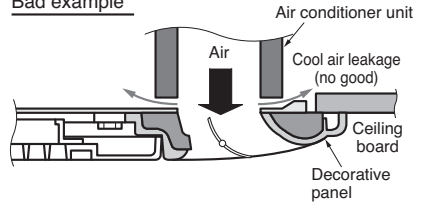
⚠ CAUTION

Install certainly the decorative panel. Cool air leakage causes sweating. ⇨ Water drops fall.

Good example



Bad example

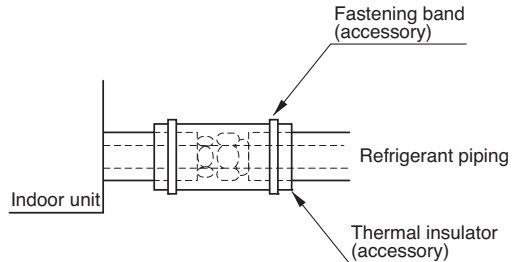


HEAT INSULATION

1. Use the heat insulation material for the refrigerant piping which has an excellent heat-resistance [over 120 °C(248 °F)].

2. Precautions in high humidity circumstance:

This air conditioner has been tested according to the "KS Standard Conditions with Mist" and confirmed that there is not any default. However, if it is operated for a long time in high humid atmosphere [dew point temperature: more than 23 °C(73.4 °F)], water drops are liable to fall. In this case, add heat insulation material according to the following procedure:

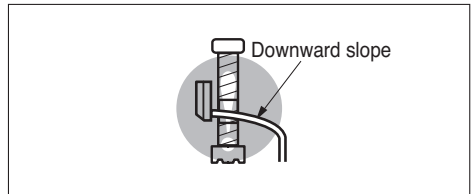


- Heat insulation material to be prepared... Adiabatic glass wool with thickness 10 to 20 mm.
- Stick glass wool on all air conditioners that are located in ceiling atmosphere.

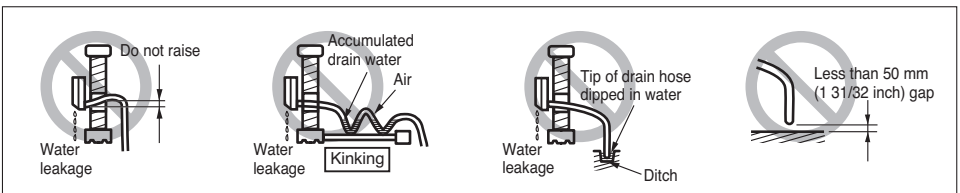
Drain Piping

[Standard / Standard Libero / Artcool Mirror Type]

1. The drain hose should point downward for optimum drainage.



2. Incorrect Installation Examples:



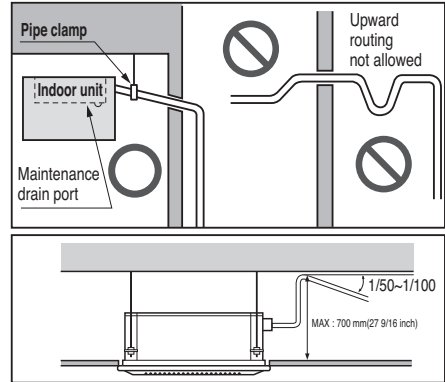
[Ceiling Concealed Duct/Ceiling Cassette Type]

- Drain piping must have down-slope (1/50 to 1/100): be sure not to provide up-and-down slope to prevent reversal flow.
- During drain piping connection, be careful not to exert extra force on the drain port on the indoor unit.
- The outside diameter of the drain connection on the indoor unit is 32 mm(1 1/4 inch).

Piping material: Polyvinyl chloride pipe inner diameter \varnothing 25 mm(1 inch) and pipe fittings

- Be sure to install heat insulation on the drain piping.

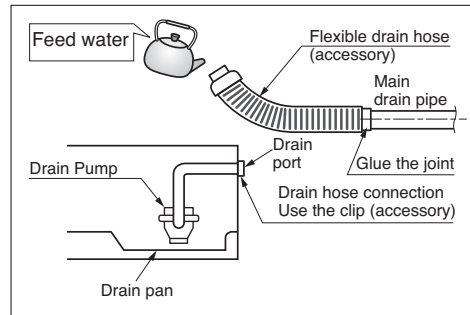
Heat insulation material: Polyethylene foam with thickness more than 8 mm(5/16 inch).



Drain test

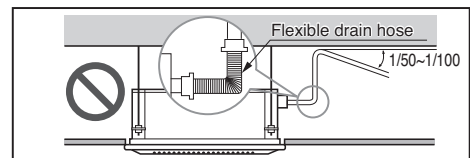
The air conditioner uses a drain pump to drain water. Use the following procedure to test the drain pump operation:

- Connect the main drain pipe to the exterior and leave it provisionally until the test comes to an end.
- Feed water to the flexible drain hose and check the piping for leakage.
- Be sure to check the drain pump for normal operating and noise when electrical wiring is complete.
- When the test is complete, connect the flexible drain hose to the drain port on the indoor unit.



⚠ CAUTION

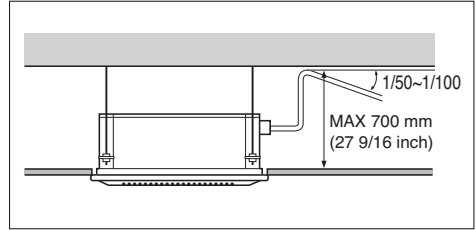
The supplied flexible drain hose should not be curved, neither screwed. The curved or screwed hose may cause a leakage of water.



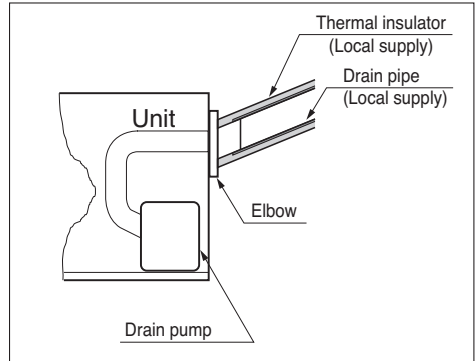
* The figure can be changed according to model.

Attention

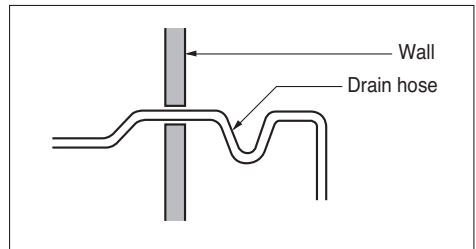
1. Possible drain-head height is up to 700 mm (27 9/16 inch). So, it must be installed below 700 mm(27 9/16 inch).
2. Keep the drain hose downward up to 1/50~1/100 inclination.
Prevent any upward flow or reverse flow in any part.



3. 5 mm(3/16 inch) or thicker formed thermal insulator is provided for the drain pipe.



4. Upward routing is not allowed.
5. Be sure to check the drain pump for normal operation and abnormal noise when electrical wiring is complete.



Flaring Work and Connection of Piping

Flaring work

Main cause of gas leakage is defect in flaring work. Carry out correct flaring work in the following procedure.

1) Cut the pipes and the cable.

- Use the accessory piping kit or the pipes purchased locally.
- Measure the distance between the indoor and the outdoor unit.
- Cut the pipes a little longer than measured distance.
- Cut the cable 1.5 m (4.9 ft) longer than the pipe length.

2) Burrs removal

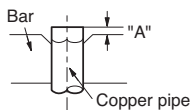
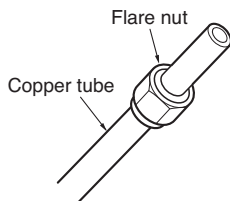
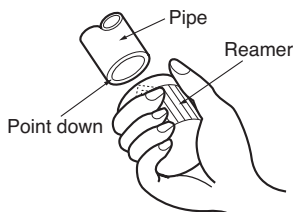
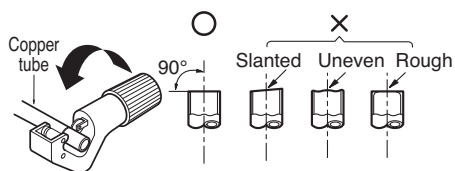
- Completely remove all burrs from the cut cross section of pipe/tube.
- Put the end of the copper tube/pipe to downward direction as you remove burrs in order to avoid to let burrs drop in the tubing.

3) Putting nut on

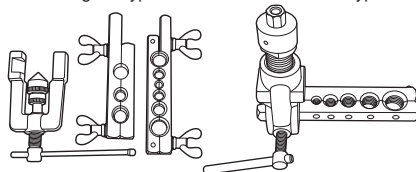
- Remove flare nuts attached to indoor and outdoor units, than put them on pipe/tube having completed burr removal. (Not possible to put them on after flaring work)

4) Flaring work

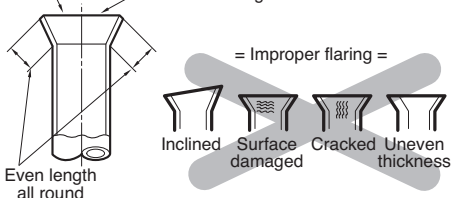
- Carry out flaring work using flaring tool as shown below.



<Wing nut type> <Clutch type>



Smooth all round
Inside is shining without scratches.



Pipe diameter Inch (mm)	A inch (mm)	
	Wing nut type	Clutch type
Ø 1/4 (Ø 6.35)	0.04~0.05 (1.1~1.3)	0~0.02 (0~0.5)
Ø 3/8 (Ø 9.52)	0.06~0.07 (1.5~1.7)	
Ø 1/2 (Ø 12.7)	0.06~0.07 (1.6~1.8)	
Ø 5/8 (Ø 15.88)	0.06~0.07 (1.6~1.8)	
Ø 3/4 (Ø 19.05)	0.07~0.08 (1.9~2.1)	

Firmly hold copper tube in a bar(or die) as indicated dimension in the table above.

5) Check

- Compare the flared work with figure.
- If flare is noted to be defective, cut off the flared section and do flaring work again.

Connection of piping - Outdoor

Align the center of the piping and sufficiently tighten the flare nut by hand.

Connecting pipe order

- 1) ROOM A~C gas side pipe
- 2) ROOM A~C liquid side pipe

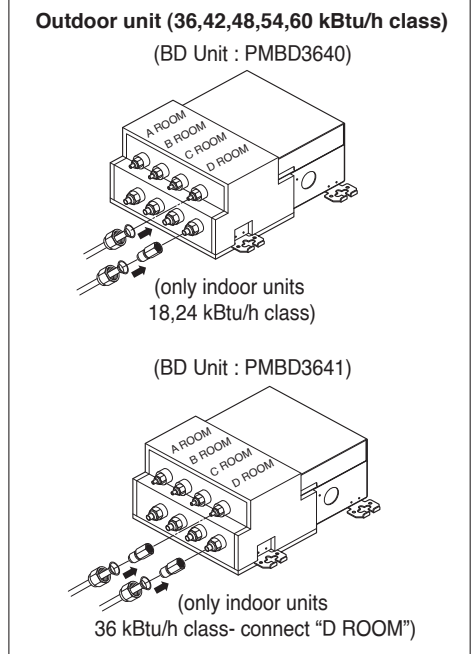
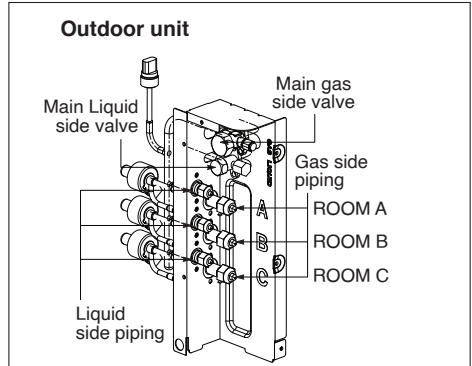
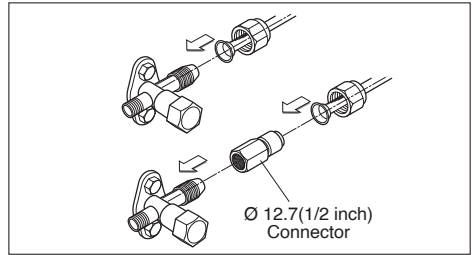
Finally, tighten the flare nut with torque wrench until the wrench clicks.

- When tightening the flare nut with torque wrench ensure the direction for tightening follows the arrow on the wrench.

Outside diameter		Torque		
mm	inch	N·m	kgf·m	lbf·ft
Ø 6.35	1/4	14~18	1.4~1.8	10~13
Ø 9.52	3/8	34~42	3.5~4.3	25~31
Ø 12.7	1/2	49~61	5.0~6.2	36~45
Ø 15.88	5/8	69~82	7.0~8.4	51~60
Ø 19.05	3/4	100~120	10.0~12.2	73~88

BD Unit	Refrigerant Connections Pipe Size (inch (mm))		Connectable Indoor Unit Capacity (kBTu/h class)
	Liquid	Gas	
PMBD3620	1/4 (Ø 6.35) x 2 EA	3/8 (Ø 9.52) x 2 EA	7,9,12,15,18,24 k
PMBD3630	1/4 (Ø 6.35) x 3 EA	3/8 (Ø 9.52) x 3 EA	7,9,12,15,18,24 k
PMBD3640	1/4 (Ø 6.35) x 4 EA	3/8 (Ø 9.52) x 4 EA	7,9,12,15,18,24 k
PMBD3641	1/4 (Ø 6.35) x 4 EA	3/8 (Ø 9.52) x 3 EA	7,9,12,15,18,24 k (A,B,C ROOM)
		1/2 (Ø 12.7) x 1 EA	24,36 k (D ROOM)

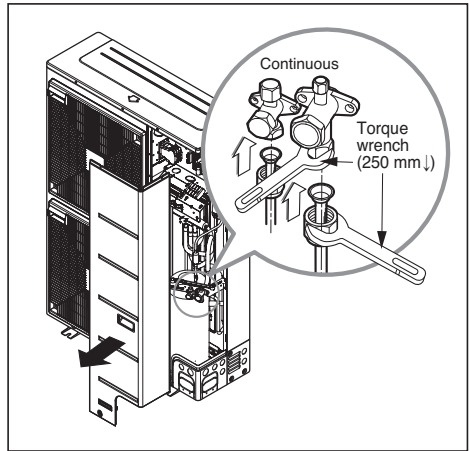
※ BD Unit(PMBD3641) includes the socket.
 (1/2(Ø 12.7) → 5/8(Ø 15.88) x 1 EA,
 1/4(Ø 6.35) → 3/8(Ø 9.52) x 1 EA)



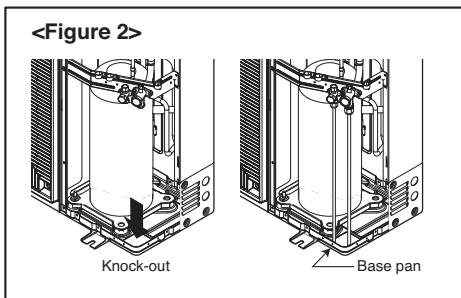
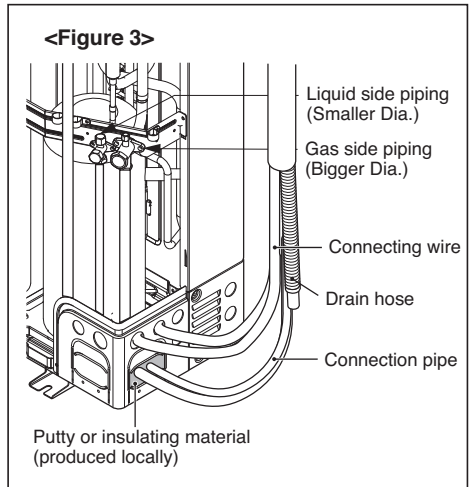
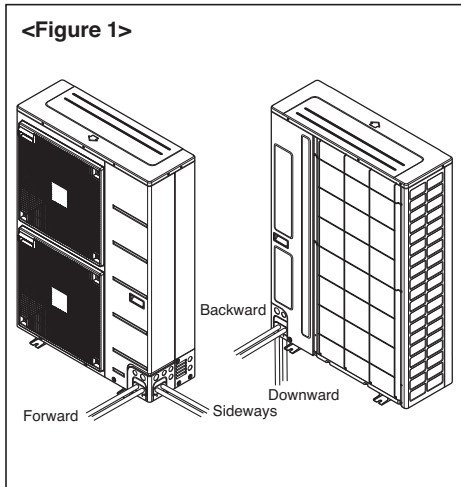
- For the units with capacity more than 48 kBTU/h, the installation piping is connectable in four directions.(refer to figure 1)
- When connecting in a downward direction, knock out the knockout hole of the base pan. (refer to figure 2)

Preventing foreign objects from entering (Figure3)

- Plug the pipe through-holes with putty or insulation material(procured locally)to stop up all gaps,as shown in the figure 3.
- Insects or small animals entering the outdoor unit may cause a short circuit in the electrical box.

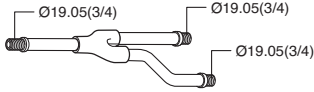
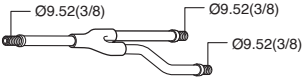


※ When tighten the pipe, hold the hexagonal body.

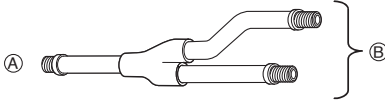


Branch

[unit: mm(inch)]

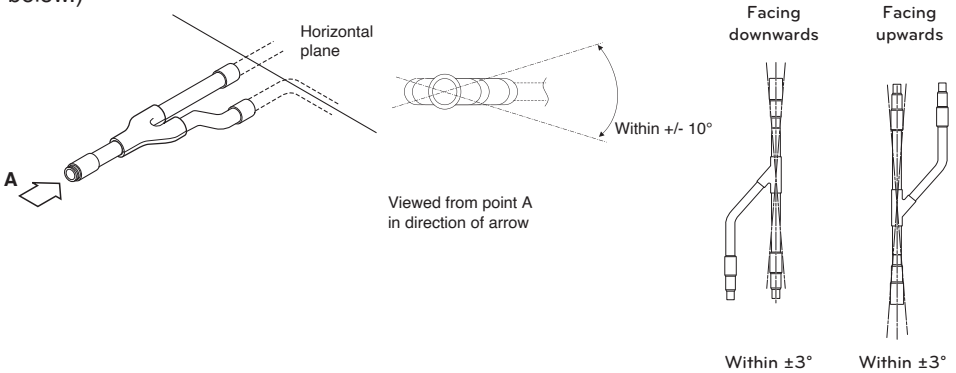
Model	Gas Pipe	Liquid Pipe
PMBL5620		

■ Y branch

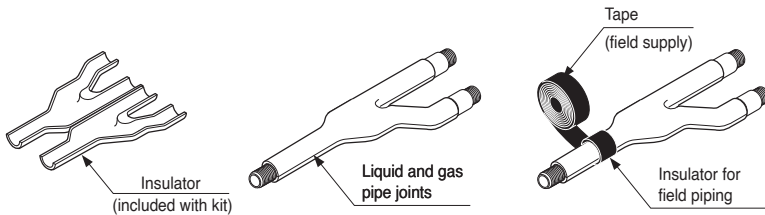


- Ⓐ To Outdoor Unit
- Ⓑ To BD Unit

- Ensure that the branch pipes are attached horizontally or vertically (see the diagram below.)

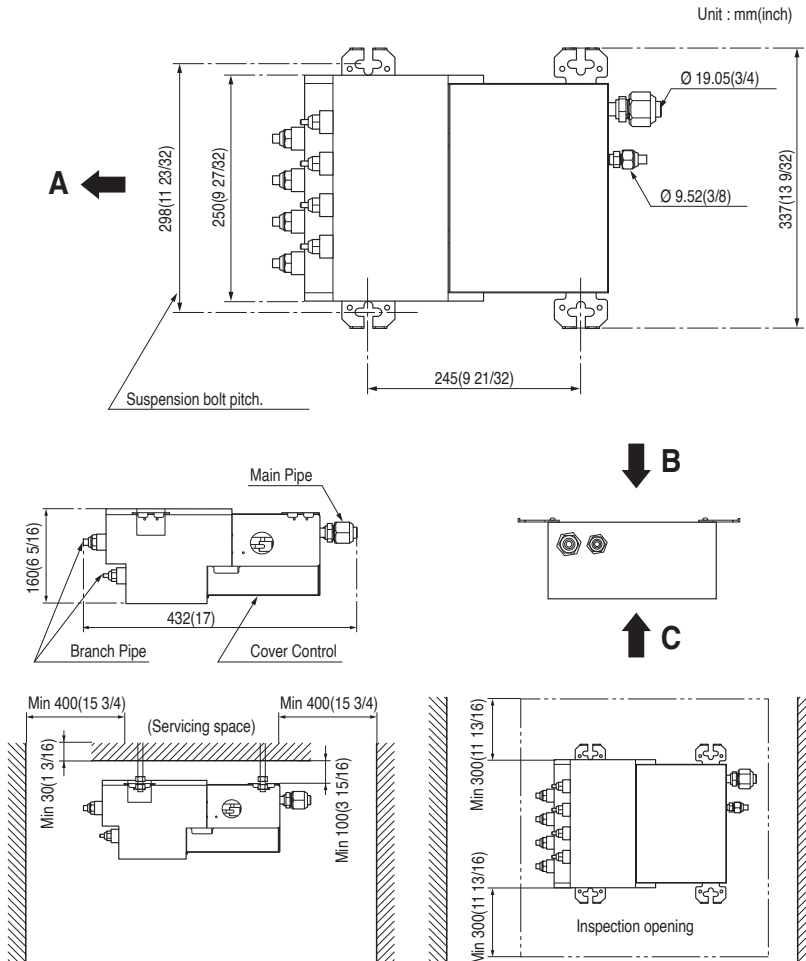


- Branch pipe should be insulated with the insulator in each kit.



Installation

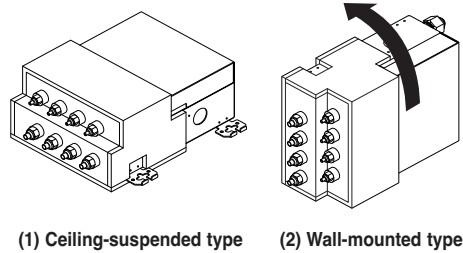
- This unit may be installed suspended from the ceiling or mounted on the wall.
- This unit may be installed horizontally, as shown in the diagram below. (Side B is facing up) However, it may be freely installed in any direction forward or back, and to the sides.
- Be sure to leave a 600(23 5/8) mm(inch) square opening for service and inspection as shown in the diagram below, for both ceiling - suspended installation and wall-mounted installation.
- This unit "does not require drain treatment" as it uses internal foam treatment as low-pressure piping insulation.
- Service direction is the side B and C
- The piping for the indoor unit may be led around in direction A
- The inclination of side B must be within ± 5 degrees forward or back or to the sides.



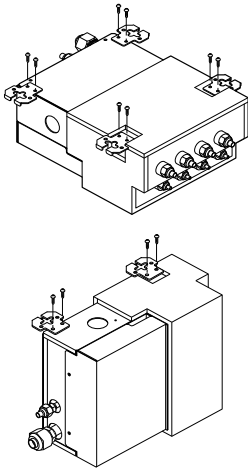
Installation of The Main Unit

NOTICE :

- This unit has two different installation types: (1) Ceiling-suspended type and (2) wall-mounted type.
- Choose the proper installation pattern according to the location of installation.
- The installation location for printed wiring board can be changed.
Follow the procedure specified in the "CONNECTING THE WIRING" section to change the location.

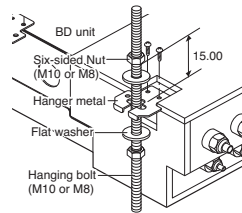


(1) Ceiling-suspended type

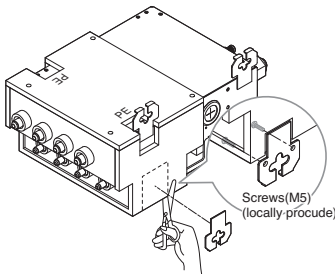


Procedure

- (1) Fix the furnished hanger metal with two screws. (4 locations in total).
- (2) Using an insert-hole-in-anchor, hang the hanging bolt.
- (3) Install a hexagon nut and a flat washer (locally-procured) to the hanging bolt as shown in the figure in the left, and lift the main unit to hang on the hanger metal.
- (4) After checking with a level that the unit is level, tighten the hexagon nut.
* The tilt of the unit should be within $\pm 5^\circ$ in front/back and left/right.



(2) Wall-mounted type



Procedure

- (1) Fix the furnished hanger metal with two screws. (3 locations in total).
 - (2) After checking with a level that the unit is level, fix the unit with the furnished wood screws.
* The tilt of the unit should be within $\pm 5^\circ$ in front/back and left/right.
- * Block up the parts of hanger holes (2 places) by using insulation PE after installing the hanger.

CAUTION

- Once a screw-hole on the main unit has had a screw hammered in, make sure to either hammer it again or cover it with aluminum tape. (This is to prevent condensation)
- Be sure to install the unit with the ceiling-side up.
- Do not install near bedrooms. the sound of refrigerant flowing through the piping may sometimes be audible.

Connecting the Cable between Indoor Unit, Distributor Unit and Outdoor Unit

Connect the cable to the Indoor unit

Connect the cable to the indoor unit by connecting the wires to the terminals on the control board individually according to the outdoor unit connection. (Ensure that the color of the wires of the outdoor unit and the terminal No. are the same as those of the indoor unit.)

The ground wire should be longer than the common wires.

The circuit diagram is not subject to change without notice.

When installing, refer to the electrical diagram behind the front panel of Indoor Unit.

The wiring for the outdoor unit can be found on the inside of the Outdoor Unit control cover.



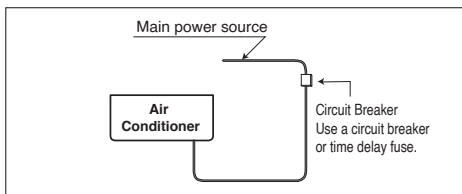
RECOMMENDATION:

- The circuit diagram is subject to change without notice.
- Be sure to connect wires according to the wiring diagram.
- Connect the wires firmly, so that they can not be pulled out easily.
- Connect the wires according to color codes by referring to the wiring diagram.



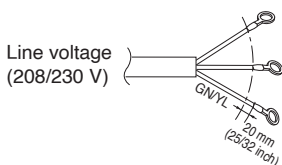
RECOMMENDATION: Provide a circuit breaker between power source and the outdoor unit as shown below.

Outdoor Unit Capacity (Btu/h class)	Power source	Fuse or breaker Capacity
18/24 k	10,208/230 V	20 A
30/36 k	10,208/230 V	25 A
48/54 k	10,208/230 V	40 A
60 k	10,208/230 V	40 A



RECOMMENDATION: The power cord connected to the outdoor unit should comply with the following specifications: NRTL Recognized (for example, UL or ETL recognized and CSA certified).

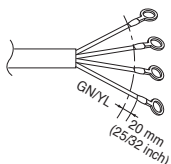
■ Power supply cable



As always, final wire selection is governed by local codes and should be installed by a licensed professional contractor.

	The minimum recommended wire size
18/24 kBtu/h	AWG 14-3
30/36 kBtu/h	AWG 12-3
48/54 kBtu/h	AWG 10-3
60 kBtu/h	AWG 8-3

■ Connecting cable



The power connecting cable between the outdoor and indoor units must comply with the following specifications: NRTL Recognized (for example, UL or ETL recognized and CSA certified).

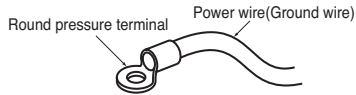
AWG 18-4 is the minimum recommended wire size, however, the selected conductors must comply with local codes and be suitable for installation in wet locations.



RECOMMENDATION: When using separate wires as the power cord, please secure separate wires in the control box panel using tie wraps to hold all wires in place.

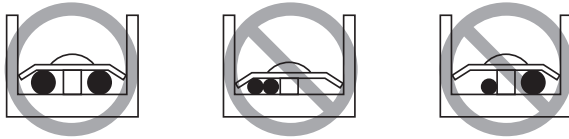
◆ Precautions when laying power and ground wiring

Use round pressure terminals for connections to the power terminal block. When laying ground wiring, you must use round pressure terminals.



When none are available, follow the instructions below.

- Do not connect wiring of different thicknesses to the power terminal block. (Slack in the power wiring may cause abnormal heat.)
- When connecting wiring which is the same thickness, do as shown in the figure below.



- For wiring, use the designated power wire and connect firmly, then secure to prevent outside pressure being exerted on the terminal block.
- Use an appropriate screwdriver for tightening the terminal screws. A screwdriver with a small head will strip the head and make proper tightening impossible.
- Over-tightening the terminal screws may break them.

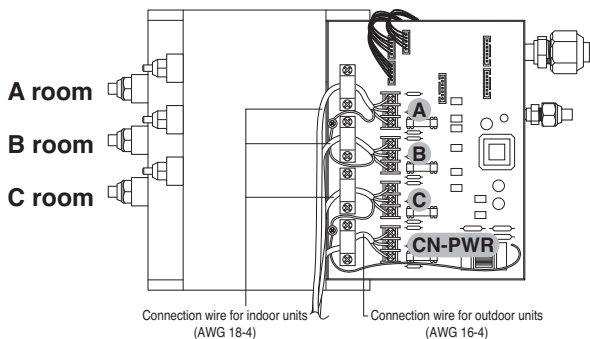
Connect the cable to the Distributor unit

- Connect refrigerant pipes and connection wires to the appropriate ports made with matching alphabets (A, B and C) on this unit.
- Follow the instructions on the wiring nameplate to connect the connection wires of indoor/outdoor units to terminal board numbers.(1, 2 and 3) Always fix each ground wire separately with a ground screw.(See the figure below.)
- After completing the wiring, fix the outer coating of wires securely with wire clamps. The wire clamp on indoor unit side is furnished. Follow the procedure below to install.
- Refer to the circuit diagram on the control cover inside outdoor unit.

NOTICE :

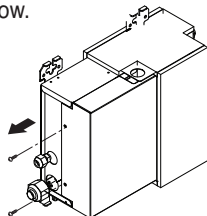
The terminal board numbers are arranged from top to bottom in order of 1, 2 and 3.

In Case of 3 rooms

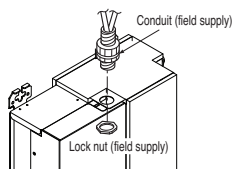


⚠ WARNING
 Do not use tapped wires, stand wires, extension cords, or starburst connections, as they may cause overheating, electrical shock, or fire.

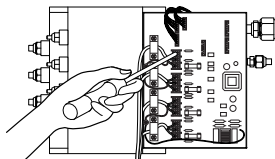
- (1) Remove the control cover. Loosen the two screws, and slide the cover in the direction of the arrow.



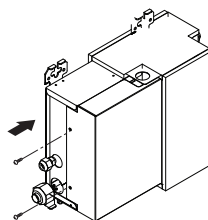
- (2) Pull out connection cable through conduit. After conduit to the panel, fix nut to the opposite side of panel. Pass the connection cable through the hole.



- (3) Perform wiring with reference the wiring diagram on a control cover of outdoor unit. Allow 300 mm (11 13/16 inch) for the pulling-out section of harness. Fix the wires completely with wire clamps (4 locations).

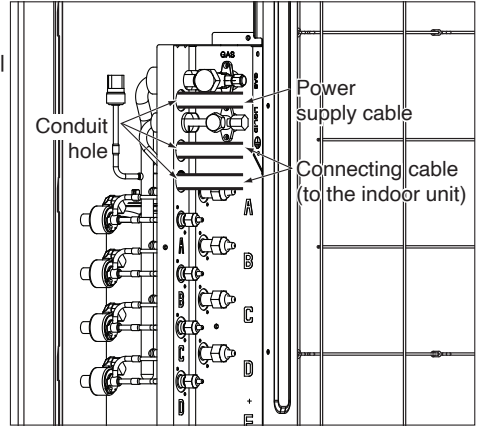


- (4) Put in the cover in the direction of the arrow then tighten the screws.

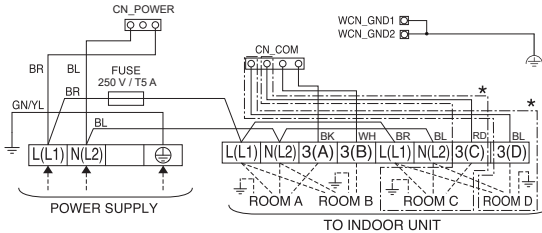


Connect the cable to the Outdoor unit

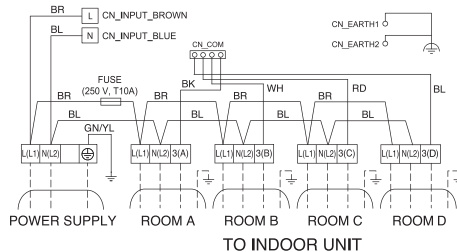
1. Remove the control cover from the unit by loosening the screw.
Connect the wires to the terminals on the control board individually as the following.
2. Secure the cable onto the control board with the holder (clammer).
3. Re-attach the cover control to the original position using the screws.



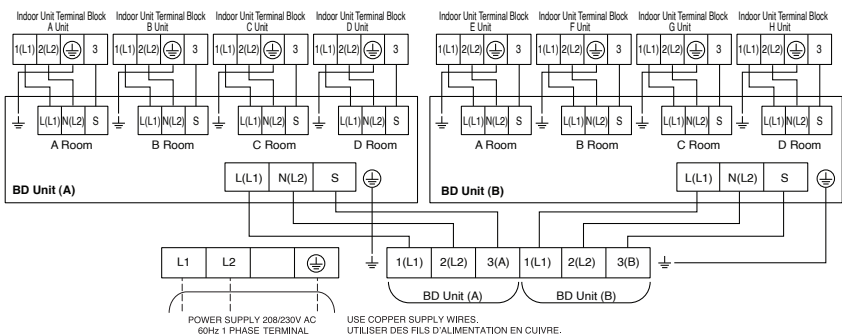
18/24 kBTu/h class



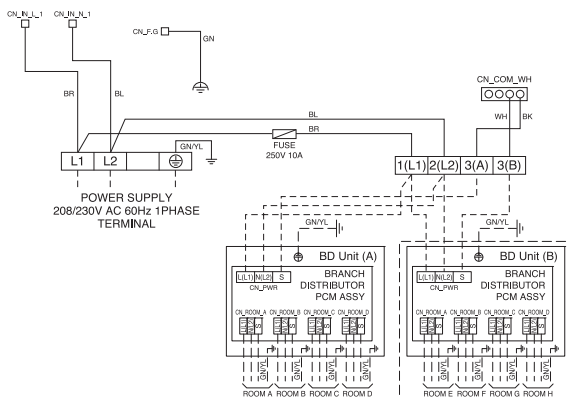
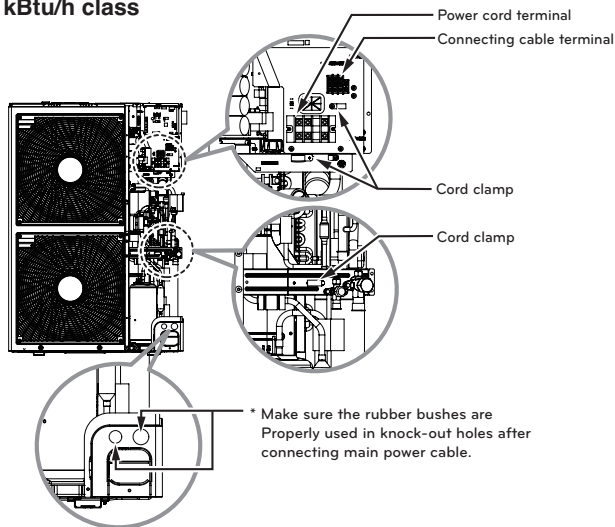
30/36 kBTu/h class



48/54 kBTu/h class



60 kBtu/h class



NOTICE :

1. Use connection cable NRTL(UL, ETL, CAS...) listed and stranded copper(4) THHN conductors, sunlight (UV) resistant ROHS compliant PVC jacket 600 V direct burial listed, approved for wet conditions. Temperature rated for -20 °C(-4 °F) to 90 °C(194 °F). And this cable should be enclosed in conduit.

⚠ WARNING

- Be sure to comply with local and national codes while running the wire from the indoor unit to the outdoor unit(size of wire and wiring method, etc).
- Every wire must be connected firmly.
- No wire should be allowed to touch refrigerant tubing, the compressor or any moving parts.
- The communication wirings of air conditioner should be separate and isolated from external device's electric wiring such as computers, elevator, radio & Television broadcasting facilities, as well as medical imaging offices.

Connection method of the connecting cable(Example)

- (1) Remove the side panel and knockouts of conduit panel. (for low voltage line)
- (2) Pull out connection cable through conduit.
- (3) After conduit to the panel, fix nut to the opposite side of panel.
- (4) Pass the connection cable through the hole.
- (5) Properly connect the cable on the terminal block.
- (6) Fix the connection cable with cord clamp provided on the unit not to have strain at the terminal when the connection cable is pulled outside up to a 35 pound weight

⚠ WARNING

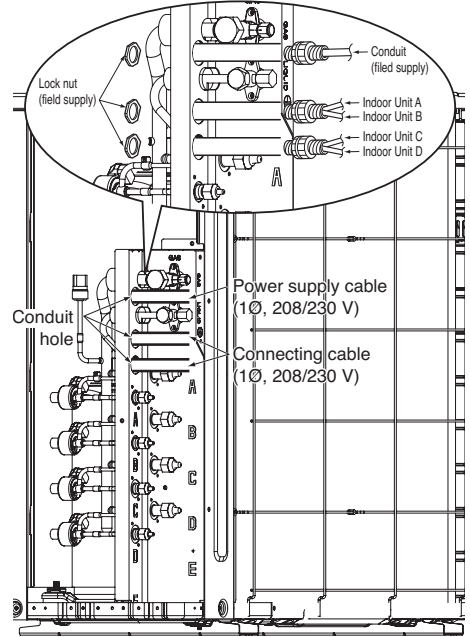
Loose wiring may cause the terminal to overheat or result in unit malfunction. A fire hazard may also exist. Therefore, be sure all wiring is tightly connected.

When connecting each power wire to the corresponding terminal, follow instructions "How to connect wiring to the terminals" and fasten the wire tightly with the fixing screw of the terminal plate.

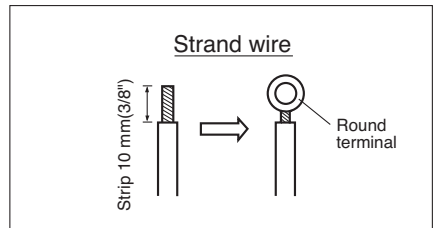
How to connect wiring to the terminals

⇒ For strand wiring

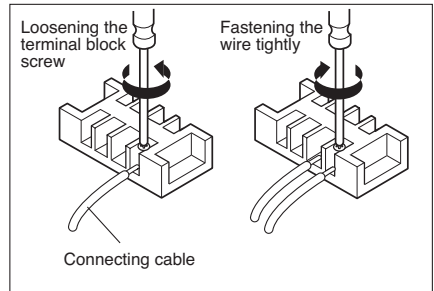
- (1) Cut the wire end with a wire cutter or wire-cutting pliers, then strip the insulation to expose the strand wiring about 10 mm (3/8").
- (2) Using a screwdriver, remove the terminal screw(s) on the terminal plate.
- (3) Using a round terminal fastener or pliers, securely clamp each stripped wire end with a round terminal.
- (4) Position the round terminal wire, and replace and tighten the terminal screw using a screwdriver.



Power supply cable



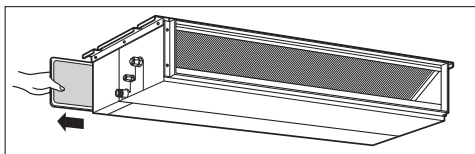
Connecting Cable



Checking the Drainage, Insulating the Pipe and Special Piping Applications

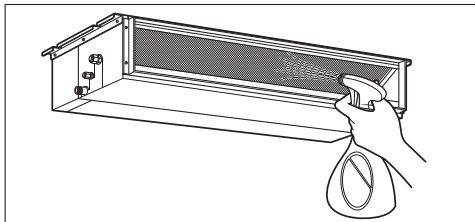
Checking the drainage

1. Remove the Air Filter.



2. Check the drainage.

- Spray one or two glasses of water upon the evaporator.
- Ensure that water flows drain hose of indoor unit without any leakage.



※ The figure can be changed according to model.

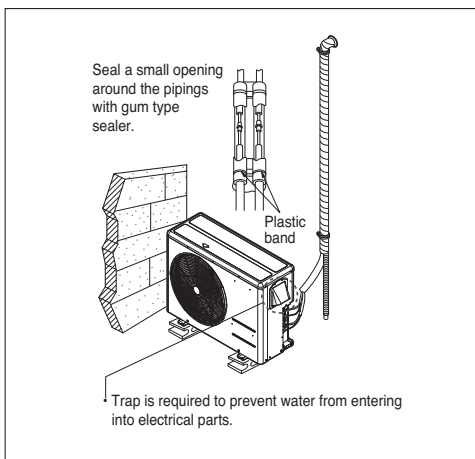
Insulating the Pipe and Special Piping Applications

Insulate the piping by wrapping the connecting portion of the indoor unit with insulation material and secure it with two kinds of vinyl tape.

- If you want to connect an additional drain hose, the end of the drain outlet should be routed above the ground. Secure the drain hose appropriately. If you want to install the wires to be connected the Conduit Hall.

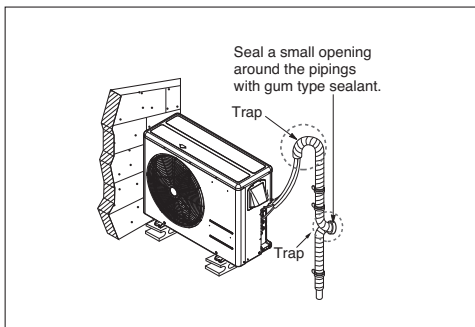
In cases where the outdoor unit is installed below the indoor unit perform the following:

1. Tape the piping, drain hose and connecting cable from down to up.
2. Secure the taped piping along the exterior wall using saddle or equivalent.



In cases where the Outdoor unit is installed above the Indoor unit perform the following.

1. Tape the piping and connecting cable from down to up.
2. Secure the taped piping along the exterior wall. Form a trap to prevent water entering the room.
3. Secure the piping onto the wall using a saddle or equivalent.



Air Purging and Evacuation

Air and moisture remaining in the refrigerant system have undesirable effects as indicated below.

1. Pressure in the system rises.
2. Operating current rises.
3. Cooling(or heating) efficiency drops.
4. Moisture in the refrigerant circuit may freeze and block capillary tubing.
5. Water may lead to corrosion of parts in the refrigeration system.

Therefore, the indoor/outdoor unit and connecting tube must be checked for leaks, and vacuumed to remove non-condensable gas and moisture in the system.

Leak Checking

Preparation

- Check that each tube(both liquid and gas side tubes) between the indoor and outdoor units have been properly connected and all wiring for the test run has been completed. Remove the service valve caps from both the gas and the liquid sides on the outdoor unit. Check that both the liquid and the gas side service valves on the outdoor unit are kept closed at this stage.

Leakage test

- Connect the manifold valve(with pressure gauges) and dry nitrogen gas cylinder to this service port with charge hoses.

⚠ CAUTION

Be sure to use a manifold valve for leak testing. The high side manifold valve must always be kept closed.

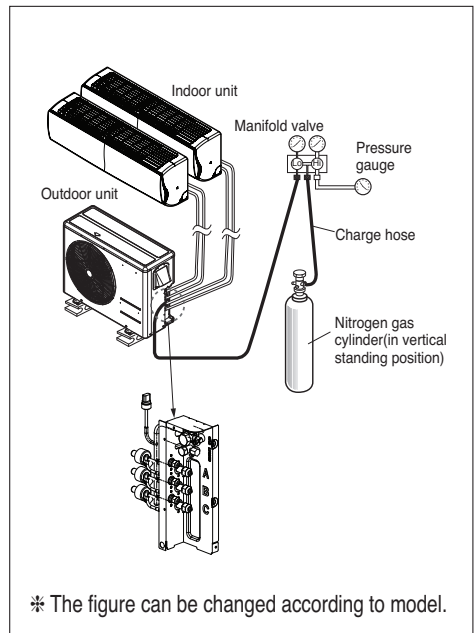
- Pressurize the system to no more than 550 P.S.I.G. with dry nitrogen gas and close the cylinder valve when the gauge reading reached 550 P.S.I.G. Next, test for leaks with liquid soap.

⚠ CAUTION

To avoid nitrogen entering the refrigerant system in a liquid state, the top of the cylinder must be higher than its bottom when you pressurize the system. Usually, the cylinder is used in a vertical standing position.

NOTICE : Leakage testing should be done for each indoor unit connection set, separately.

1. Do a leakage test of all joints of the tubing(both indoor and outdoor) and both gas and liquid side service valves with soap bubbles. Bubbles indicate a leak. Be sure to wipe off the soap with a clean cloth.
2. After the system is found to be free of leaks, relieve the nitrogen pressure by loosening the charge hose connector at the nitrogen cylinder. When the system pressure is reduced to normal, disconnect the hose from the cylinder.



Evacuation

1. Connect the charge hose end described in the preceding steps to the vacuum pump to evacuate the tubing and indoor unit. Confirm the "Lo" knob of the manifold valve is open. Then, run the vacuum pump. The operation time for evacuation varies with tubing length and capacity of the pump. The following table shows the time required for evacuation.

Required time for evacuation when 30 gal/h vacuum pump is used	
If tubing length is less than 10m (33 ft)	If tubing length is longer than 10m (33 ft)
Less than 0.5 Torr	Less than 0.5 Torr

2. When the desired vacuum is reached, close the "Lo" knob of the manifold valve and stop the vacuum pump.

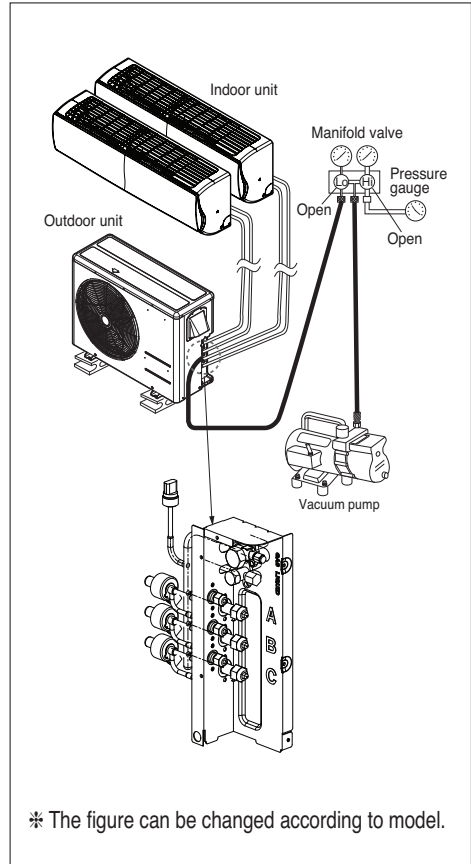
Finishing the job

1. With a service valve wrench, turn the valve stem of liquid side valve counter-clockwise to fully open the valve.
2. Turn the valve stem of gas side valve counter-clockwise to fully open the valve.
3. Loosen the charge hose connected to the gas side service port slightly to release the pressure, then remove the hose.
4. Replace the flare nut and its bonnet on the gas side service port and fasten the flare nut securely with an adjustable wrench. This process is very important to prevent leakage from the system.
5. Replace the valve caps at both gas and liquid side service valves and fasten them tight.

This completes air purging with a vacuum pump. The air conditioner is now ready for test running.

NOTICE

: Repeat evacuation procedure for each indoor unit.



Charging

■ If installed total piping length is more than standard total length, additional refrigerant charging is necessary.

Below standard total piping length, additional refrigerant charging is not required.

Multiple Piping Models

Unit:m(ft)

Outdoor Unit Capacity (Btu/h class)	Max total length of all pipes (A+B)/(A+B+C)/(A+B+C+D)	Max length of each pipe (A/B/C/D)	Min length of each pipe (A/B/C/D)	Additional Refrigerant Unit : g/m (oz/ft)	Standard Total Piping Length (No Add'l refrigerant)
18 k	50(164)	25(82)	3(9.8)	20(0.22)	30(98.4)
24 k	70(230)	25(82)	3(9.8)	20(0.22)	30(98.4)
30 k	75(246)	25(82)	3(9.8)	20(0.22)	30(98.4)
36 k	75(246)	25(82)	3(9.8)	20(0.22)	30(98.4)

Distributor Type Model

Unit:m(ft)

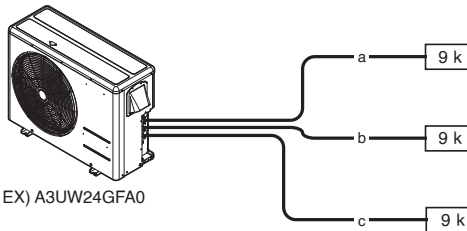
Outdoor Unit Capacity (Btu/h class)	Main Piping Length			Branch Piping Length	
	Standard Length	Chargeless	Additional Refrigerant Unit : g/m (oz/ft)	Standard Length	Additional Refrigerant Unit : g/m (oz/ft)
48 k	5(16.4)	5(16.4)	50(0.54)	5(16.4)	20(0.22)
54 k	5(16.4)	5(16.4)	50(0.54)	5(16.4)	20(0.22)
60 k	5(16.4)	15(49.2)	50(0.54)	5(16.4)	20(0.22)

Important:

If you are ever uncertain of the unit charge, reclaim, evacuate and weigh in the correct charge using the charge amount specified on the Unit's specification label.

Multiple Piping Models

Additional charge(oz) = (Total Installation Piping Length-Standard Total Piping Length) x 0.22



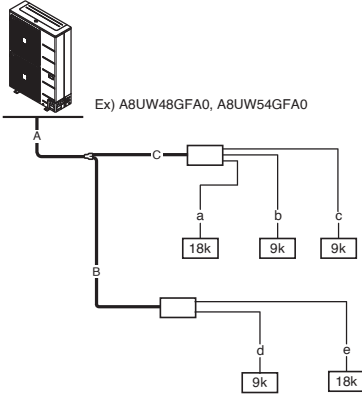
Each branch pipe
 a = 82 ft
 b = 16 ft
 c = 49 ft

* Additional Charge
 = {(82+16+49)-98.4} x 0.22 = 10.69 oz

Distributor type Models

$$\begin{aligned} \text{Additional charge (oz)} = & ((\text{Total Main piping Length} - \text{Main Standard Length}) \times 0.55 \\ & + (\text{A Room Branch Length} - \text{Standard Length}) \times 0.22 \\ & + (\text{B Room Branch Length} - \text{Standard Length}) \times 0.22 \\ & + (\text{C Room Branch Length} - \text{Standard Length}) \times 0.22 + \dots) \\ & - \text{CF}(\text{Correction Factor}) \times 3.53 \end{aligned}$$

※ CF = Max. number of connectable indoor unit – Total number of connected indoor unit



- Total main pipe(A+B+C)=98ft
- Each branch pipe
 - a = 33 ft
 - b = 26 ft
 - c = 16.4 ft
 - d = 10 ft
 - e = 33 ft

$$\begin{aligned} \text{❖ Additional Charge} & = ((98-16.4) \times 0.55 + (33-16.4) \times 0.22 \\ & + (26-16.4) \times 0.22 + (16.4-16.4) \times 0.22 \\ & + (10-16.4) \times 0.22 + (33-16.4) \times 0.22) \\ & - (8-5) \times 3.53 = 42.3 \text{ oz} \end{aligned}$$

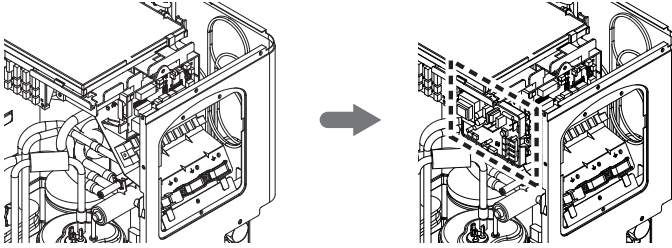
※ If the total additional charge value after calculation comes out to be negative, then do not consider additional charge.

Installation PI485

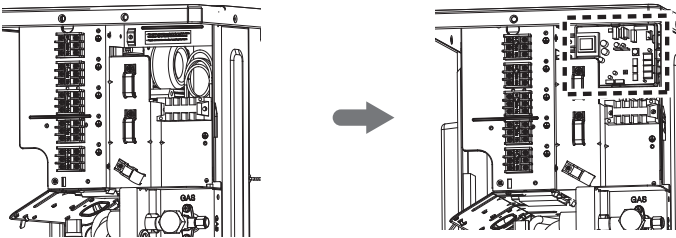
Fix the PI485 PCB as shown in Fig.

Detailed installation method refer to PI485 Installation Manual.

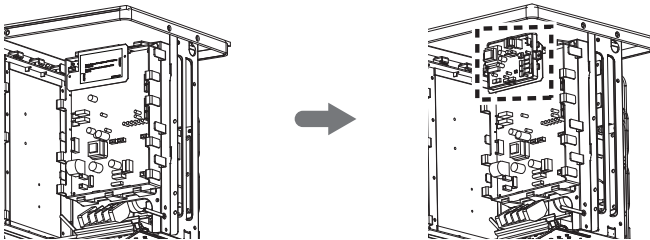
18 kBTu/h, 24 kBTu/h



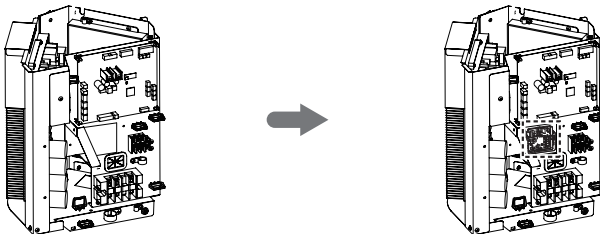
30 kBTu/h, 36 kBTu/h



48 kBTu/h, 54 kBTu/h



60 kBTu/h

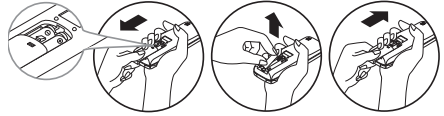


Test Running

- Check that all tubing and wiring have been properly connected.
- Check that the gas and liquid side service valves are fully open.

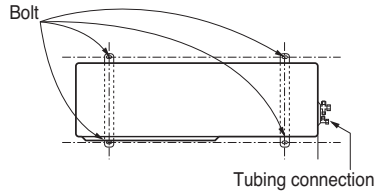
Prepare remote control

Remove the battery cover by pulling it according to the arrow direction. Insert new batteries making sure that the (+) and (-) of battery are installed correctly. Reattach the cover by pushing it back into position.



NOTICE :

- Use 2 AAA(1.5 volt) batteries. Do not use rechargeable batteries.
- Remove the batteries from the remote control if the system is not going to be used for a long time.



Evaluation of the performance

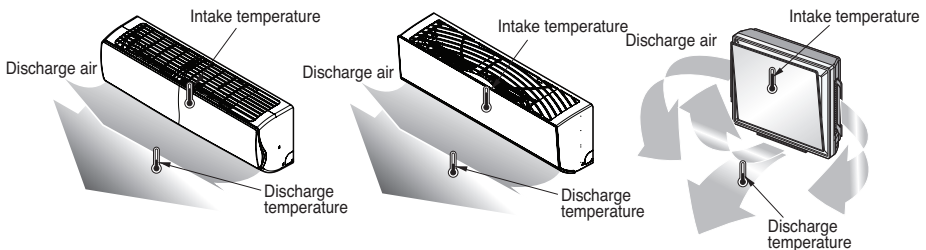
Operate unit for 15~20 minutes, then check the system refrigerant charge:

- Measure the pressure of the gas side service valve.
- Measure the temperature of the intake and discharge of air.
- Ensure the difference between the intake temperature and the discharge is more than 8 °C.
- For reference, the gas side pressure of optimum condition is as below.(Cooling)

Refrigerant	Outside ambient TEMP.	The pressure of the gas side service valve.
R410A	35 °C (95 °F)	8.5~9.5 kg/cm ² G (120~135 P.S.I.G.)

NOTICE :

If the actual pressure are higher than shown, the system is most likely over-charged, and charge should be removed. If the actual pressure are lower than shown, the system is most likely under-charged, and charge should be added. The air conditioner is now ready for use.



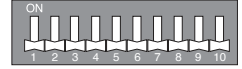
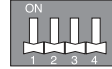
Function

DIP S/W Setting

If you set the DIP Switch when power is on, the change in setting is not applicable. The changing setting is enabled only when Power is reset.

18/24/30/36/48/54 k

60 k



DIP Switch	Function
1 2 3 4	
	Normal Operation (No Function)
	Forced Cooling Operation
	Wiring Error Check
	Saving Power Consumption (Step 1)
	Saving Power Consumption (Step 2)
	Mode Lock (Cooling)
	Mode Lock (Heating)
	Night Quiet Mode (Step 1)
	Night Quiet Mode (Step 2)
	Mode Lock (Cooling) + Night Quiet Mode (Step 1)
	Mode Lock (Cooling) + Night Quiet Mode (Step 2)
	Mode Lock (Cooling) + Saving Power Consumption (Step 1)
	Mode Lock (Cooling) + Saving Power Consumption (Step 2)
	Mode Lock (Heating) + Saving Power Consumption (Step 1)
	Mode Lock (Heating) + Saving Power Consumption (Step 2)

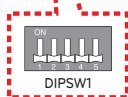
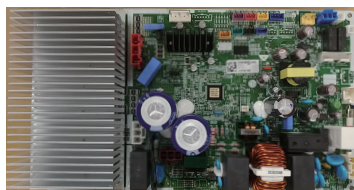
⚠ WARNING

When you set the DIP switch, you should turn off the circuit breaker or shut the power source of the product down.

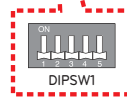
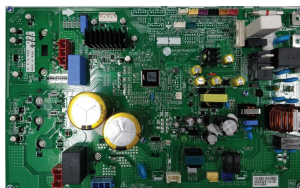
⚠ CAUTION

- Unless the applicable DIP switch is set properly, the product may not work.
- If you want to set a specific function, request that the installer sets the DIP switch appropriately during installation.

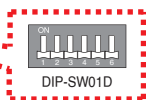
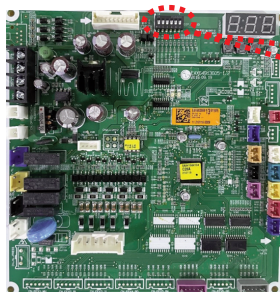
18/24(1Ø) kBTu/h



30/36(1Ø) kBTu/h



48/54/60(1Ø) kBTu/h

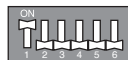
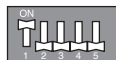


Forced Cooling Operation

Adding the refrigerant in winter.

Setting Procedure

1. Set the DIP Switch as follow after shutting the power source down.
2. Reset the power.
3. Check that the Red LED of PCB is on during work. (The indoor unit is operated by force.)
4. Add the specific amount of refrigerant.



⚠ CAUTION

- When the green LED of PCB is on, compressor is going to be off because of low pressure.
- You should return the DIP Switch to operate normally after finishing the operation.

Wiring Error Check

You can check whether or not the wiring is correct.

Setting Procedure

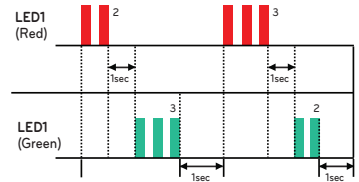
1. Set the DIP Switch as follow after shutting the power source down.
2. Reset the power.
3. Check that the Red and Green LED of PCB are on during work. (The indoor unit is operated by force.)
4. If the wiring is correct, the Green LED will light up.

If the wiring is wrong, display as below
(Display only wrong connection.)

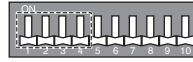
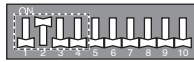
- Red LED : Piping Number
- Green LED : Wiring Number (Room)

Example)

If the Red LED blinks twice and the Green LED blinks 3 times, 2nd pipe is connected to 3rd room.



5. You should return the DIP Switch to operate normally after finishing wiring error check.

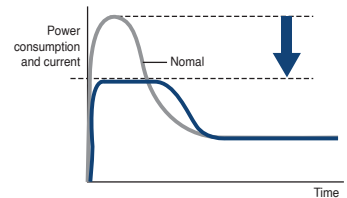


CAUTION

- If Indoor unit doesn't communicate to outdoor Unit, function could not be operated correctly.
- Only the wrong wiring connection is displayed. You should change connection correctly to operate the product.
- If Outdoor and Indoor temperature is too low in winter, the wiring error check function will not be operated. (Red LED is lighting)

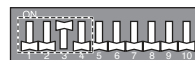
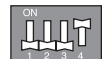
Saving Power Consumption

Saving Power Consumption operation is the function which enables efficient operation by lowering the maximum power consumption value.



Setting Procedure

- 1 Set the DIP Switch as follow after shutting the power source down.
- 2 Reset the power.

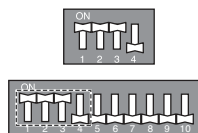


Step 1

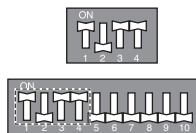
Step 2

Saving Power Consumption Current level.

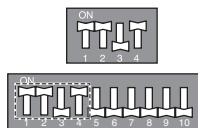
Phase	1Ø		
Model	18/24 k	30/36 k	48/54/60 k
Step 1(A)	9	13	22
Step 2(A)	8	11	21

Saving Power Consumption with Mode Lock.

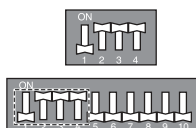
Saving Power
Consumption (step 1)
+ Mode Lock (Cooling)



Saving Power
Consumption (step 1)
+ Mode Lock (Heating)



Saving Power
Consumption (step 2)
+ Mode Lock (Cooling)



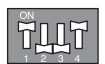
Saving Power
Consumption (step 2)
+ Mode Lock (Heating)

Night Quiet Mode

Night Quiet Mode operation lowers the noise level of the outdoor unit by changing the comp frequency and fan speed. This function is operated all night long.

Setting Procedure

1. Set the DIP Switch as follow after shutting the power source down.



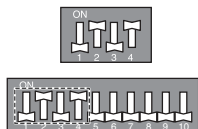
Step 1



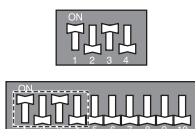
Step 2

* Noise level :
Step 1 > Step 2

2. Reset the power.

Night Quiet Mode with Mode Lock.

Mode Lock (Cooling) +
Night Quiet Mode (step 1)



Mode Lock (Cooling) +
Night Quiet Mode (step 2)

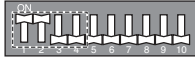
CAUTION

- If comp frequency and fan speed are down, the cooling capacity may decrease accordingly.
- This function is only available for Cooling Mode.
- If you want to stop the Night Quiet Mode, Change the DIP Switch.
- If operating indoor unit is set by the fan speed “Power”, Night Quiet Mode will be stopped until fan speed “Power” is changed.

Mode Lock

Setting Procedure

1. Set the DIP Switch as follow after shutting the power source down.



Only Cooling Mode



Only Heating Mode

2. Reset the power.

Mode Lock with Night Quiet Mode



Mode Lock (Cooling)
+ Night Quiet Mode
(step 1)



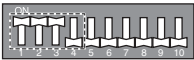
Mode Lock (Cooling)
+ Night Quiet Mode
(step 2)



Saving Power Consumption with Mode Lock.



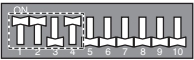
Mode Lock (Cooling)
+ Saving Power
Consumption (step 1)



Mode Lock (Heating)
+ Saving Power
Consumption (step 1)



Mode Lock (Cooling)
+ Saving Power
Consumption (step 2)



Mode Lock (Heating)
+ Saving Power
Consumption (step 2)



PCB Display

It is useful to check the cycle data without LGMV.

Operating Method

Whenever you push the Tact Switch, the cycle information will be shown as below.

※ After 1 page is displayed, subsequently 2 page is displayed.

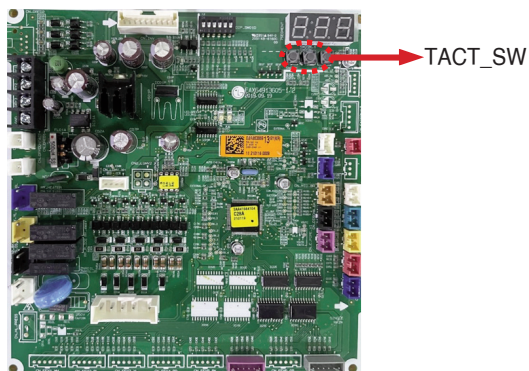
Tact S/W	Item	Display		
		Example	1 page	2 page
1 time	Low Pressure	890 kpa	'LP'	' 89'
2 time	Hi Pressure	2 900 kpa	'HP'	'290'
3 time	Discharge Temp.	85 °C	'DS'	' 85'
4 time	Cond Out Temp.	-10 °C	'CS'	'-10'
5 time	Suction Temp.	-10 °C	'SS'	'-10'
6 time	ODU Air Temp.	-10 °C	'AS'	'-10'
7 time	Current	15 A	'A'	' 15'
8 time	Voltage	230 V	'V'	'230'
9 time	Comp Hz	100 Hz	'F'	'100'
10 time	DC Link Voltage	230 V	'dc'	'230'

18/24/30/36(1Ø) kBtu/h



TACT_SW

48/54/60(1Ø) kBtu/h



TACT_SW

⚠ WARNING

When you push the Tact Switch, use the material non-conducting electricity.

Max Combination Capacity

Multi Piping Type

Capacity (kBtu/h)	Max Room No.	Combination Indoor Capacity (kBtu/h)	Max Combination Capacity (kBtu/h)
18	2	7,9,12,15	24
24	3	7,9,12,15,18,24	33
30	4	7,9,12,15,18,24	40
36	4	7,9,12,15,18,24	48

Distributor Type

Phase	Capacity (kBtu/h)	Max Room No.	Combination Indoor Capacity (kBtu/h)	Max Combination Capacity (kBtu/h)
1Ø	48	8	7,9,12,15,18,24,36	65
1Ø	54	8	7,9,12,15,18,24,36	73
1Ø	60	8	7,9,12,15,18,24,36	81

The combination of indoor unit is to be decided that the sum of indoor unit capacity index must be smaller than the maximum combination capacity of outdoor unit. We recommend to calculate indoor unit capacity like below.

If you do not follow our recommendation, it will have some problems in low ambient condition i.e. some indoor unit will not be able to heat very well in heating mode.

CALCULATION METHOD FOR THE CONNECTABLE TOTAL CAPACITY OF INDOOR UNIT

Sum up the capacity of all indoor unit, but high static duct and VAHU type indoor unit capacity multiplier 1.3 times in which multiplier is unless only HSD/VAHU are connected

Ex) 1. Outdoor unit : A8UW54GFA0(LMU540HV)(connectable maximum capacity is 73 kBtu)

Indoor unit:

AMNW24GBGA0[LMHN240HV], AMNW36GBGA0[LMHN360HV]

$(24+36) \times 1.2 = 60 \times 1.2 = 72$ kBtu : this combination is acceptable.

2. Out door unit: A8UW54GFA0(LMU540HV)

Indoor unit:

AMNW24GBGA0[LMHN240HV], AMNW24GBGA0[LMHN240HV], LMN078HVT

$[(24+24) \times 1.3] + 7 = [48 \times 1.3] + 7 = 69.4$ kBtu : this combination is acceptable.

3. Outdoor unit : A8UW54GFA0(LMU540HV)(connectable maximum capacity is 73 kBtu)

Indoor unit:

AMNW36GBGA0[LMHN360HV], AMNW36GBGA0[LMHN360HV]

$(36+36) \times 1.2 = 72 \times 1.2 = 86.4$ kBtu : this combination is not acceptable

MANUEL D'INSTALLATION CLIMATISEUR

Veillez lire ce manuel dans son intégralité avant d'installer l'appareil.
L'installation doit être effectuée par un technicien qualifié seulement, en conformité avec le code national de l'électricité.
Après avoir lu ce manuel attentivement, conservez-le pour pouvoir vous y reporter ultérieurement.

Unités multiples

CONSIGNES D'INSTALLATION DE L'APPAREIL MULTIBLOCS FLEX

IMPORTANT!

Veillez lire ces instructions au complet avant d'installer ce produit.

Ce système de climatisation respecte des normes rigoureuses de sécurité et de fonctionnement. En tant qu'installateur ou technicien spécialisé, il est important que vous installiez ou entreteniez le système de façon à ce que son fonctionnement soit sécuritaire et efficace.

⚠ AVERTISSEMENT

- Une installation ou une réparation réalisées par des personnes non qualifiées peut présenter un danger pour vous et les autres.
- L'installation DOIT être réalisée conformément aux codes locaux du bâtiment ou, en absence de ces codes, conformément au Code national de l'électricité NFPA 70/ANSI C1-1993 ou l'édition en vigueur, et conformément au Code canadien de l'électricité Partie 1 CSA C.22.1.
- L'information contenue dans ce manuel a été conçue pour être utilisée par un technicien qualifié qui connaît les procédures de sécurité et équipé avec les outils et les instruments d'essai appropriés.
- Le fait de ne pas lire attentivement toutes les consignes de ce manuel et de ne pas les suivre peut occasionner un mauvais fonctionnement de l'appareil, des dommages matériels, des blessures ou la mort.
- Évitez de mettre le disjoncteur ou l'alimentation sous tension lorsque le panneau avant, le boîtier, le couvercle supérieur et le couvercle du boîtier de commande sont enlevés ou ouverts; sinon cela pourrait provoquer un incendie, une décharge électrique, une explosion ou la mort.

ATTENTION: Une installation, un réglage, une modification, un entretien ou une réparation inappropriés annuler la garantie.

En raison du poids de l'unité de condensation le soulèvement et le déplacement de l'appareil doivent être faits avec précaution et selon des procédures appropriées afin d'éviter les blessures personnelles. Veillez aussi à éviter tout contact avec les bords pointus ou coupants.

Consignes de sécurité

- Portez toujours des lunettes de protection et des gants de travail lors de l'installation de l'appareil.
- Ne supposez jamais que l'alimentation est coupée. Faites une vérification avec un appareil de mesure.
- Gardez les mains loin du ventilateur lorsque l'appareil est branché.
- Le R410A provoque des gelures.
- Le R410A est toxique lorsqu'il est brûlé.

REMARQUE POUR L'INSTALLATEUR :

Le manuel du propriétaire et la garantie doivent être remis au propriétaire ou mis clairement en évidence près de l'unité de traitement de l'air intérieur

⚠ AVERTISSEMENTS PARTICULIERS

Lors du câblage :

Un choc électrique peut provoquer des blessures personnelles graves, voire la mort.

Le câblage du système doit être effectué par un électricien qualifié et expérimenté.

- Ne mettez pas l'unité sous tension jusqu'à ce que tout le câblage et le drainage soient complétés ou rebranchés et vérifiés.
- Ce système fonctionne sous des tensions électriques très dangereuses. Lors du câblage, suivez attentivement le diagramme de câblage et ces consignes. Des connexions inappropriées et une mise à la terre incorrecte peuvent provoquer des blessures, voire la mort.
- Mettez l'appareil à la terre suivant les codes locaux de l'électricité.
- Branchez solidement les câbles. Un câble lâche peut provoquer une surchauffe aux points de connexion et constitue un risque d'incendie.

Lors du transport :

Levez et transportez avec soin les unités intérieure et extérieure.

Pour ce faire, demandez l'aide de quelqu'un et soulevez l'appareil en pliant les genoux pour réduire la tension sur votre dos. Les bords coupants ou les ailettes d'aluminium du climatiseur peuvent vous couper les doigts.

Lors de l'installation...

...dans un mur : assurez-vous que le mur peut supporter le poids de l'unité.

Il peut être nécessaire de construire un cadre en bois ou en métal afin d'assurer un support supplémentaire.

...dans une pièce : isolez de façon appropriée toute la tuyauterie de drainage installée dans la pièce pour éviter la « transpiration », qui peut provoquer des égouttements et des problèmes d'humidité sur les murs et les planchers.

...dans des endroits humides ou inégaux : Utilisez une base de béton ou des blocs de béton pour donner une base solide et nivelée à l'unité extérieure. Cela prévient les problèmes d'humidité et les vibrations anormales.

...dans un secteur venteux : Ancrez l'unité extérieure solidement à l'aide de boulons et d'un cadre métallique. Assurez un flux d'air approprié.

...dans un secteur neigeux (seulement pour le modèle de thermopompe) : Installez l'unité extérieure sur une plateforme plus élevée que le niveau de la poudrière. Prévoyez des moyens d'évacuer la neige.

Lors de la connexion de la tuyauterie de réfrigération

- Gardez la longueur des tuyaux au minimum.
- Utilisez la méthode d'évasement pour raccorder les tuyaux.
- Vérifiez soigneusement pour déceler les fuites avant de commencer le drainage d'essai.

Lors de l'entretien

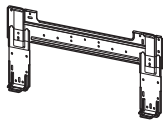
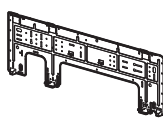
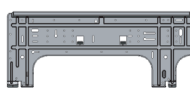
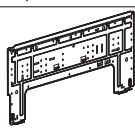












- Coupez l'alimentation principale (dans le tableau d'alimentation principale) avant d'ouvrir l'appareil pour vérifier ou réparer les pièces et les câbles électriques.
- Eloignez vos doigts et vos vêtements de toutes les pièces mobiles.
- Une fois le travail terminé, nettoyez les lieux et veillez à ce qu'il ne reste aucun débris de métal ou de câble dans l'appareil.

TABLE DES MATIÈRES


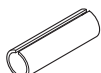



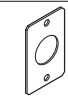

4	PIÈCES FOURNIES
5	CONSIGNES DE SÉCURITÉ
8	INSTALLATION DES UNITÉS INTÉRIEURE ET EXTÉRIEURE
8	Choix du meilleur emplacement
10	Guide d'installation en bord de mer
11	Vents saisonniers et précautions en hiver
12	Élévation et longueur de la tuyauterie
14	INSTALLATION
14	Raccordement de la tuyauterie
18	Fixation
19	Connexion du câblage
19	Raccordement du tuyau
20	Dimension du plafond et emplacement des boulons de support
21	Fixation
21	Connexion du câblage
21	Raccordement du tuyau
22	Installation de la télécommande câblée (optionnelle)
24	Installation du panneau décoratif
26	Tuyauterie de drainage
29	TRAVAIL D'ÉVASEMENT ET RACCORDEMENT DE LA TUYAUTERIE
29	Travail d'évasement
30	Raccordement des tuyaux - Extérieur
33	Installation
34	Installation de l'unité principale
35	BRANCHEMENT DU CÂBLE ENTRE LES UNITÉS INTÉRIEURE, DE DISTRIBUTION ET EXTÉRIEURE
35	Câblage de l'unité intérieure
36	Câblage de l'unité de distribution
38	Câblage de l'unité extérieure
40	Méthode de câblage du câble de connexion (exemple)
41	VÉRIFICATION DU DRAINAGE, ISOLATION DE LA TUYAUTERIE ET APPLICATIONS PARTICULIÈRES
41	Vérification du drainage (système d'écoulement)
41	Isolation de la tuyauterie et applications particulières
42	PURGE ET ÉVACUATION D'AIR
42	Vérification des fuites
43	Évacuation
44	CHARGE
46	INSTALLATION PI485
47	ESSAI
48	FONCTION
48	Réglage commutateur DIP
49	Fonctionnement du refroidissement forcé
50	Vérification des erreurs de câblage
50	Économie d'énergie
51	Mode silencieux de nuit
52	Mode verrouillé
53	Affichage de la CCI (Modèle 18/24k/60k uniquement)
54	CAPACITÉ DE COMBINAISON MAXIMALE

Pièces fournies







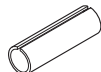


[Installation murale / Miroir ART COOL]

Type 1	Type 2	Type 3	Type 4
Plaque d'installation	Plaque d'installation	Plaque d'installation	Plaque d'installation
			
Vis type «B»	Vis type «B»	Vis type «B»	Vis type «B»
			
Vis type «A»	Vis type «A»	Vis type «A»	Vis type «A»
			
Support de la télécommande	Support de la télécommande	Support de la télécommande	Support de la télécommande
			

[Climatiseur à conduit caché dans le plafond]

Nom	Collier serre de serrage	Matériau d'isolation	Vis pour des brides de conduit	Attaches autobloquantes	Support pour tuyau
Quantité	1 EA	1 jeu	1 jeu	8 EA	1 EA
Forme		 pour tuyau de gaz  pour tuyau de liquide			 Support pour tuyau  2 vis M4


[Climatiseur Type cassette]

Nom	Raccord de drainage	Collier de serrage	Rondelle	Attaches autobloquantes	Support pour tuyau	Matériau d'isolation	Support de la télécommande
Quantité	1 EA	1 EA	8 EA	8 EA	1 EA	1 jeu	1 EA
Forme					 Support pour tuyau  2 vis M4	 pour tuyau de gaz  pour tuyau de liquide	

Consignes de sécurité

Les consignes de sécurité suivantes visent à prévenir tout risque ou dommage imprévu découlant d'une utilisation dangereuse ou incorrecte de l'appareil.

Les consignes sont réparties selon les catégories (« AVERTISSEMENT » et « ATTENTION ») décrites ci-dessous.

 Ce symbole est utilisé pour indiquer les éléments et les actions susceptibles de causer des risques. Veuillez à lire attentivement les sections avec ce signe et suivez les instructions afin d'éviter des risques.

AVERTISSEMENT

Ce signe indique que le non-respect des consignes peut provoquer des blessures graves ou la mort.

MISE EN GARDE

Ceci indique que le non-respect des instructions peut causer de légères blessures ou endommager l'appareil.

AVERTISSEMENT

Installation

- Effectuez toujours une mise à la terre.
 - Autrement, vous risquez de provoquer un choc électrique.
- N'utilisez pas un cordon d'alimentation, une fiche d'alimentation ou une prise de courant endommagés.
 - Autrement, vous risquez de causer un incendie ou un choc électrique.
- Pour l'installation de l'appareil, contactez toujours le centre après-vente ou un service d'installation professionnel.
 - Autrement, vous risquez de provoquer un incendie, un choc électrique, une explosion ou des blessures.
- Fixez correctement le couvercle de protection des pièces électriques à l'unité intérieure et le panneau de service à l'unité extérieure.
 - Si le couvercle de protection des pièces électriques de l'unité intérieure et le panneau de service de l'unité extérieure ne sont pas bien fixés, cela peut provoquer un incendie ou un choc électrique dus à la poussière, à l'eau, etc.
- Installez toujours un interrupteur pour fuites d'air et un tableau électrique spécialisé.
 - Ne pas le faire peut provoquer un incendie ou un choc électrique.
- Ne rangez ni n'utilisez de gaz inflammable ni de combustibles près du climatiseur.
 - Autrement, vous risquez de provoquer un incendie ou le mauvais fonctionnement de l'appareil.

* L'illustration peut différer d'un modèle à l'autre.

- Assurez-vous que le cadre d'installation de l'unité extérieure ne soit pas endommagé à cause d'une utilisation prolongée.
 - Cela peut provoquer des blessures ou un accident.
- Ne démontez ni ne réparez l'appareil de façon aléatoire.
 - Cela peut provoquer un incendie ou un choc électrique.
- N'installez pas l'appareil là où il pourrait tomber.
 - Autrement, vous risquez de blesser quelqu'un.
- Soyez prudent pendant le déballage et l'installation.
 - Les bords coupants peuvent provoquer des blessures.
- Utilisez une pompe à vide ou un gaz inerte (azote) lorsque vous faites des essais de fuite ou la purge d'air. Ne compressez pas l'air ou l'oxygène et n'utilisez pas de gaz inflammable. Cela pourrait provoquer un incendie ou une explosion.
 - Il existe un risque de décès, de blessure, d'incendie ou d'explosion.

Fonctionnement

- Ne partagez pas la prise avec d'autres appareils.
 - Cela provoquera un choc électrique ou un incendie découlant d'une émission de chaleur.
- N'utilisez pas un cordon d'alimentation endommagé.
 - Vous risquez de provoquer un incendie ou un choc électrique.
- Évitez de modifier ou de rallonger le cordon d'alimentation de façon aléatoire.
 - Autrement, vous risquez de provoquer un incendie ou un choc électrique.
- Veillez à ce que le cordon d'alimentation ne soit pas étiré en cours de fonctionnement.
 - Autrement, vous risquez de provoquer un incendie ou un choc électrique.
- Débranchez l'appareil s'il s'en dégage des bruits étranges, des odeurs ou de la fumée.
 - Autrement, vous risquez de provoquer un incendie ou un choc électrique.
- Évitez le contact avec des flammes.
 - Autrement, vous risquez de provoquer un incendie.
- Au besoin, débranchez l'appareil en tirant sur la fiche et en évitant la manipulation à mains mouillées.
 - Autrement, vous risquez de provoquer un incendie ou un choc électrique.
- N'utilisez pas le cordon d'alimentation près des dispositifs de chauffage.
 - Autrement, vous risquez de provoquer un incendie ou un choc électrique.
- N'ouvrez pas l'ouverture d'aspiration de l'unité intérieure/extérieure en cours de fonctionnement.
 - Autrement, vous risquez de provoquer un choc électrique ou un mauvais fonctionnement.
- Ne permettez pas que de l'eau entre en contact avec les pièces électriques.
 - Autrement, vous risquez de provoquer le mauvais fonctionnement de l'appareil ou un choc électrique.
- Débranchez l'appareil en tirant sur la fiche.
 - Cela peut provoquer un choc électrique ou des dommages.
- Ne touchez jamais les pièces métalliques de l'appareil lorsque vous retirez le filtre.
 - Elles sont coupantes et peuvent provoquer des blessures.
- Ne montez sur l'appareil ni n'y placez aucun objet.
 - Vous risquez de vous blesser si l'appareil tombe ou si vous tombez.

- Ne placez pas d'objet lourd sur le cordon d'alimentation.
 - Autrement, vous risquez de provoquer un incendie ou un choc électrique.
- Si l'appareil est immergé dans l'eau, communiqué avec le service après-vente.
 - Autrement, vous risquez de causer un incendie ou un choc électrique.
- Veillez à ce que les enfants ne montent pas sur l'unité extérieure.
 - Autrement, ils risquent d'être sérieusement blessés en tombant.

MISE EN GARDE

Installation

- Installez le tuyau de drainage de manière à assurer un drainage convenable.
 - Autrement, vous risquez de causer une fuite d'eau.
- Installez le produit de sorte que vos voisins ne soient pas dérangés par le bruit ou par le vent chaud venant de l'unité extérieure.
 - Autrement, vous risquez de susciter des querelles avec les voisins.
- Après l'installation ou la réparation de l'appareil, veillez toujours à vérifier qu'il n'y ait pas de fuite de gaz.
 - Autrement, vous risquez de causer le mauvais fonctionnement de l'appareil.
- Maintenez le niveau lors de l'installation de l'appareil.
 - Autrement, vous risquez de provoquer des vibrations ou une fuite d'eau.
- N'installez pas l'appareil dans des atmosphères potentiellement explosives.

Fonctionnement

- Évitez le refroidissement excessif et aérez de temps à autre.
 - Autrement, vous risquez de nuire à votre santé.
- Utilisez un chiffon doux pour nettoyer l'appareil. N'employez pas de cire, de diluant, ni de détergent fort.
 - Autrement, vous risquez de détériorer l'aspect de l'appareil, changer sa couleur ou provoquer des défauts sur sa surface.
- N'utilisez pas l'appareil à des fins particulières telles que la préservation d'animaux, de plantes, de dispositifs de précision ou d'objets d'art, etc.
 - Autrement, vous risquez d'endommager vos biens.
- Ne placez pas d'obstacles près de l'entrée ou de la sortie du flux d'air.
 - Autrement, vous risquez de provoquer le mauvais fonctionnement de l'appareil ou un accident.

Installation des unités intérieure et extérieure

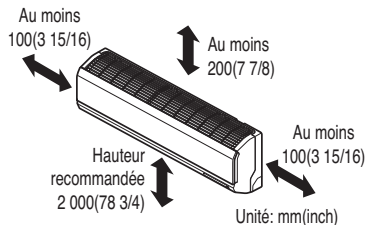
Lisez et suivez toutes les consignes.

Choix du meilleur emplacement

Unité intérieure

1. Évitez de placer l'unité près d'une source de chaleur ou de vapeur.
2. Choisissez un endroit où il n'y aura pas d'obstacles devant l'unité.
3. Assurez-vous que le condensat est évacué convenablement vers l'extérieur.
4. N'installez pas l'appareil près d'une porte.
5. Évitez toute obstruction de l'unité en respectant tous les dégagements indiqués par des flèches sur l'illustration.
6. Pour éviter d'endommager inutilement le mur, repérez les montants à l'aide d'un détecteur.

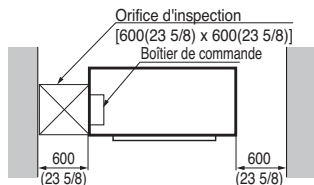
[Installation murale / Miroir ART COOL]



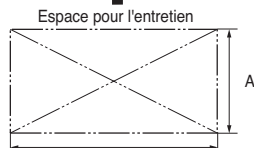
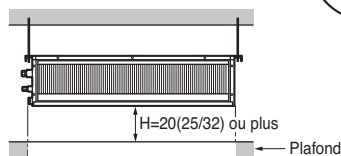
* Remarque : éliminez les obstacles pour empêcher le blocage du flux d'air.

[Climatiseur à conduit caché dans le plafond]

Vue du haut



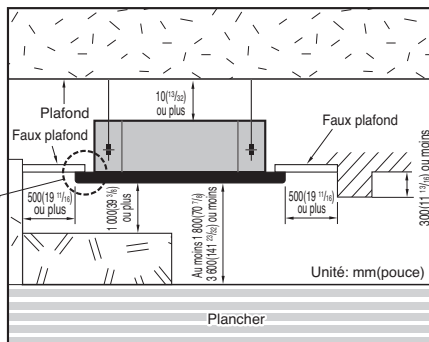
Vue du devant



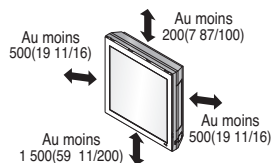
* La hauteur « H » doit respecter la distance appropriée de manière à obtenir une pente qui permette le drainage, tel que montré dans la figure.

Capacité (BTU/h)	A	B
9/12 k	600(23 5/8)	900(35 7/16)
18 k	600(23 5/8)	1 100(43 5/16)

[Type cassette plafond]



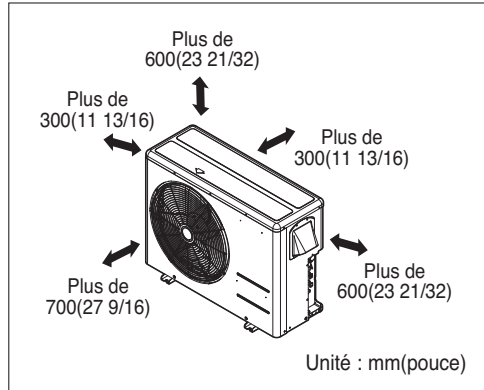
[ARTCOOL Galerie]



Unité : mm(pouce)

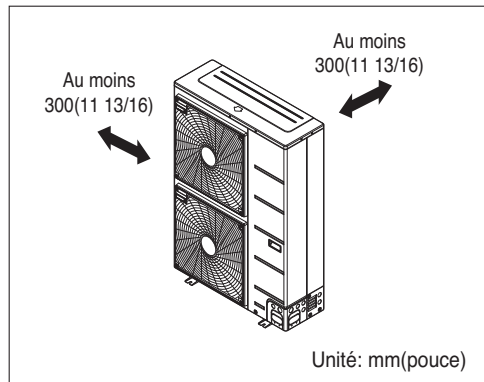
Unité extérieure

1. Si un auvent est installé au-dessus de l'unité pour éviter l'exposition directe au soleil ou à la pluie, assurez-vous que la radiation de chaleur du condenseur n'est pas limitée.
2. Évitez tout obstruction de l'unité en respectant tous les dégagements indiqués par des flèches sur l'illustration.
3. Ne placez pas d'animaux ni de plantes vis-à-vis du flux d'air chaud.
4. Tenez en compte du poids du climatiseur et choisissez un endroit où le bruit et la vibration sont réduits au minimum.
5. Choisissez un endroit où le flux d'air chaud et le bruit du climatiseur ne dérangent pas les voisins.
6. Choisissez un endroit pouvant supporter le poids et les vibrations de l'unité extérieure et où une installation plane est possible.
7. L'endroit ne doit pas être exposé directement à la neige ou la pluie.
8. L'endroit ne doit pas être présenté de risque de chute de neige ou de glace.
9. Le sol ou la base de l'endroit choisi ne doit pas être fragilisé, comme une partie délabrée d'un bâtiment, ni être exposé à une forte accumulation de neige.



Installations sur un toit :

Si l'unité extérieure est installée sur la structure du toit, assurez-vous de mettre l'unité de niveau. Assurez-vous que la structure du toit et la méthode d'ancrage conviennent à l'emplacement de l'unité. Consultez les codes locaux concernant le montage sur un toit.



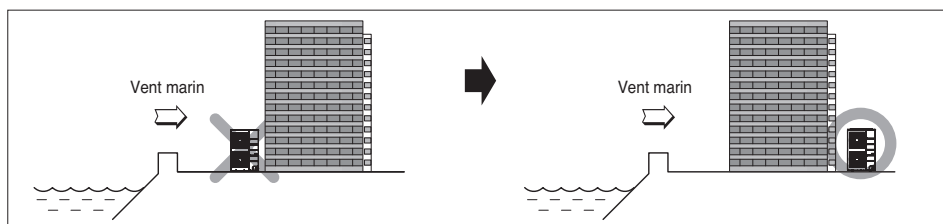
Guide d'installation en bord de mer

! MISE EN GARDE

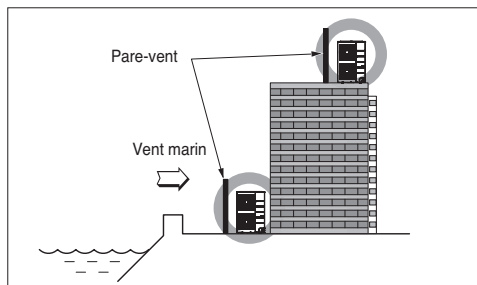
1. Les climatiseurs ne devraient pas être installés dans des endroits où sont produits des gaz corrosifs tels que les gaz acides ou alcalins.
2. N'installez pas l'appareil dans un emplacement directement exposé au vent marin (embruns salés). Cela peut provoquer la corrosion de l'appareil. La corrosion, tout particulièrement celle du condensateur et des serpents de l'évaporateur, pourrait provoquer un fonctionnement défectueux ou inefficace.
3. Si l'unité extérieure est installée à proximité du bord de mer, évitez toute exposition directe au vent marin. Autrement l'appareil va nécessiter un traitement anti-corrosion supplémentaire au niveau de l'échangeur de chaleur.

1. Sélection de l'emplacement (unité extérieure)

- 1) Si l'unité extérieure doit être installée à proximité du bord de mer, évitez toute exposition directe au vent marin. Installez l'appareil du côté opposé au vent.



- 2) Si vous installez l'unité extérieure à proximité du bord de mer, installez un pare-vent pour la protéger.



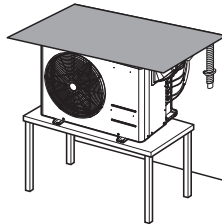
- Le pare-vent doit être suffisamment solide, comme du béton, pour résister au vent.
- La hauteur et la largeur doivent être environ 1,5 fois plus grandes que celles de l'unité (150 %).
- Pour permettre la circulation de l'air autour de l'appareil, respecter un dégagement minimal de 70 cm (27 1/16 pouces) entre l'unité et le pare-vent.

- 3) Sélectionnez un emplacement bien drainé.

- Il est conseillé de nettoyer régulièrement (au moins annuellement) l'unité avec de l'eau pour éliminer les particules de poussière et de sel sur l'échangeur de chaleur.

Vents saisonniers et précautions en hiver

- Dans les régions neigeuses ou extrêmement froides en hiver, certaines mesures doivent être prises afin d'assurer le bon fonctionnement de l'appareil.
- Même dans les autres régions, préparez l'appareil pour les vents saisonniers ou la neige.
- Installez les conduits de prise et de décharge d'air à l'abri de la neige ou de la pluie si.
- Installez l'unité extérieure de manière à éviter une exposition directe à la neige. Si la neige s'entasse et gèle sur l'orifice de prise d'air, un dysfonctionnement du système pourrait se produire. Si vous installez ce système dans une région neigeuse, fixez le couvercle de protection sur l'appareil.
- Si vous installez l'unité extérieure dans une région très neigeuse, installez-la sur une console plus élevée de 50 cm par rapport à la hauteur moyenne des chutes de neige annuelles.
- Si l'accumulation de neige sur la partie supérieure de l'unité extérieure excède 10 cm, enlevez la neige avant de mettre l'appareil en marche.



1. Le support en H doit être deux fois plus haut que l'accumulation de neige moyenne et sa largeur ne doit pas dépasser celle de l'appareil, sinon la neige pourrait s'accumuler.
2. Ne placez pas les orifices d'aspiration et d'évacuation face au vent saisonnier.

Élévation et longueur de la tuyauterie

Type Tuyauterie Multiple

Unité : m(pi)

Capacité de l'unité extérieure (BTU/h)	Longueur maximale totale de tous les tuyaux(A+B)/(A+B+C)/(A+B+C+D)	Longueur maximale de chaque tuyau (A/B/C/D)	Longueur minimale de chaque tuyau (A/B/C/D)	Élévation maximale entre chaque unité intérieure et chaque unité extérieure (h1)	Élévation maximale entre les unités intérieures (h2)	Combinaison maximale des unités intérieures (BTU/h)
18 k	50(164)	25(82)	3(10)	15(49)	7.5(25)	24 k
24 k	70(230)	25(82)	3(10)	15(49)	7.5(25)	33 k
30 k	75(246)	25(82)	3(10)	15(49)	7.5(25)	40 k
36 k	75(246)	25(82)	3(10)	15(49)	7.5(25)	48 k

La méthode de calcul pour l'indice de capacité totale = récapitulatif de l'indice de capacité des unités intérieures connectées

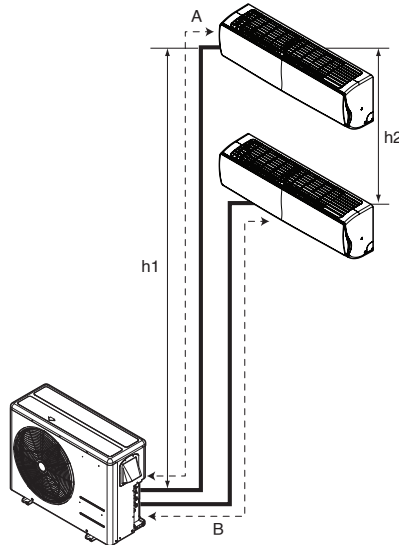
* L'indice de capacité totale = [La somme de tous les VAHU et des gaines dissimulées au plafond (Haute Pression Statique) du type de capacité des unités intérieures (le cas échéant)] x 1.3 + la somme de toutes les autres capacités de l'unité intérieure

* Le multiplicateur (1.3) est uniquement nécessaire pour le calcul du ratio de combinaison.

* Pour les combinaisons qui contiennent l'une des conditions ci-dessous, le multiplicateur est 1.2 au lieu de 1.3.

- 1) UN 24 k de l'unité canalisée à haute pression statique des gaines dissimulées/VAHU ET UN 24 k de l'unité canalisée à haute pression statique des gaines dissimulées /VAHU
- 2) UN 24 k de l'unité canalisée à haute pression statique des gaines dissimulées/VAHU ET UN 36 k de l'unité canalisée à haute pression statique des gaines dissimulées /VAHU

Capacité de l'unité intérieure (BTU/h)	Diamètre des tuyaux Unité : mm(pouce)	
	Gaz	Liquide
7, 9, 12, 15 k	9.52(3/8)	6.35(1/4)
18, 24 k	12.7(1/2)	6.35(1/4)
36 k	15.88(5/8)	9.52(3/8)



⚠ MISE EN GARDE

Type multituyaux

La capacité est basée sur la longueur standard. La longueur maximale permise est basée sur la fiabilité.

TYPE TUYAUX DE DISTRIBUTION

Unité : m(pi)

Capacité de l'unité extérieure (BTU/h)	Longueur maximale totale de tous les tuyaux (principal + dérivation)	Longueur maximale du tuyau principal (A+B+C)	Longueur maximale du tuyau de dérivation	Longueur maximale des tuyaux de dérivation	Longueur minimale de chaque tuyau (principal/dérivation)	Élévation maximale entre chaque unité intérieure et chaque unité extérieure (h1)	Élévation maximale entre les unités intérieures (h2)	Combinaison maximale des unités intérieures
48 k	145(476)	55(180)	90(295)	15(49)	3(10)	30(98)	15(49)	65 k
54 k	145(476)	55(180)	90(295)	15(49)	3(10)	30(98)	15(49)	73 k
60 k	145(476)	55(180)	90(295)	15(49)	3(10)	30(98)	15(49)	83 k

FRANÇAIS

La méthode de calcul pour l'indice de capacité totale = récapitulatif de l'indice de capacité des unités intérieures connectées

* L'indice de capacité totale = [La somme de tous les VAHUs et des gaines dissimulées au plafond (Haute Pression Statique) du type de capacité des unités intérieures (le cas échéant)] x 1.3 + la somme de toutes les autres capacités de l'unité intérieure

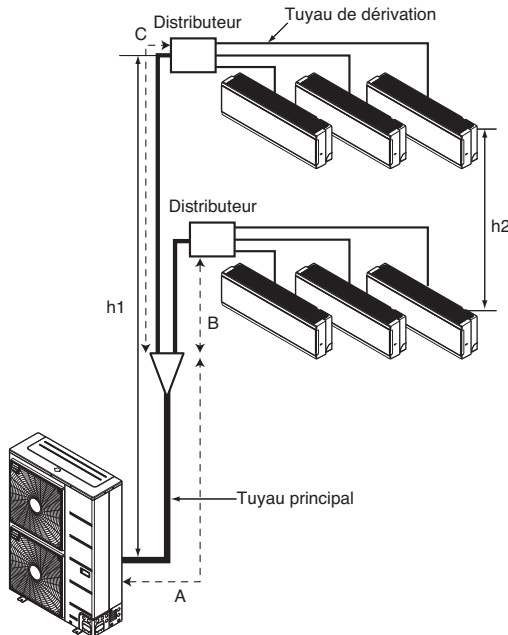
* Le multiplicateur (1.3) est uniquement nécessaire pour le calcul du ratio de combinaison.

* Pour les combinaisons qui contiennent l'une des conditions ci-dessous, le multiplicateur est 1.2 au lieu de 1.3.

1) UN 24 k de l'unité canalisée à haute pression statique des gaines dissimulées/VAHU ET UN 24 k de l'unité canalisée à haute pression statique des gaines dissimulées /VAHU

2) UN 24 k de l'unité canalisée à haute pression statique des gaines dissimulées/VAHU ET UN 36 k de l'unité canalisée à haute pression statique des gaines dissimulées /VAHU

Capacité de l'unité intérieure (BTU/h)	Diamètre des tuyaux Unité : mm(pouce)	
	Gaz	Liquide
7, 9, 12, 15 k	9.52(3/8)	6.35(1/4)
18, 24 k	12.7(1/2)	6.35(1/4)
36 k	15.88(5/8)	9.52(3/8)



⚠ MISE EN GARDE

La capacité est basée sur la longueur standard.

La longueur maximale permise est basée sur la fiabilité.

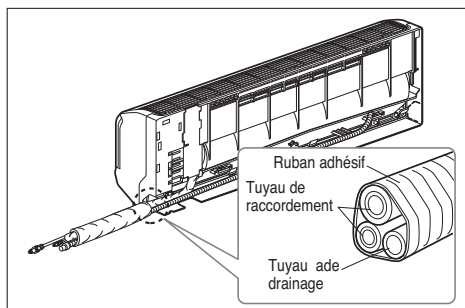
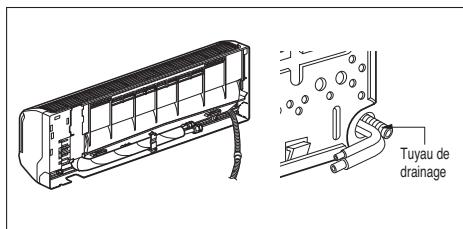
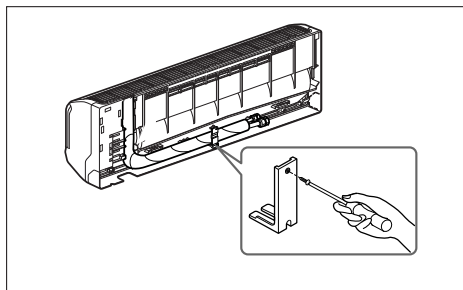
Installation

[Installation murale / Miroir ART COOL]

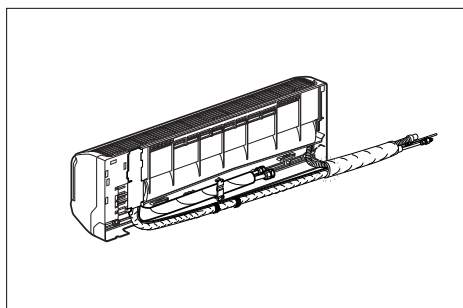
Raccordement de la tuyauterie

Type Standard / Miroir ART COOL

1. Préparez la tuyauterie et le tuyau de drainage de l'unité intérieure pour l'installation murale.
2. Enlevez la fixation du tuyau en plastique (voir l'illustration de droite) et en tirant, sortez le tuyau et le tuyau de drainage du boîtier.
3. Orientez la tuyauterie et le tuyau de drainage de l'unité intérieure vers la position désirée dans l'orifice de canalisation.
4. Insérez le tuyau, le tuyau de drainage et le câble de connexion dans l'orifice de canalisation.
5. Insérez le câble de connexion dans l'unité intérieure.
 - Ne branchez pas le câble dans l'unité intérieure.
 - Faites une petite boucle avec le câble pour le connecter facilement plus tard.
6. Attachez les tubes et le tuyau de drainage avec du ruban.

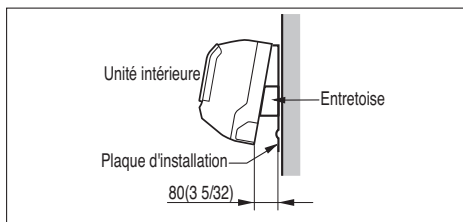


Pour la tuyauterie arrière droite



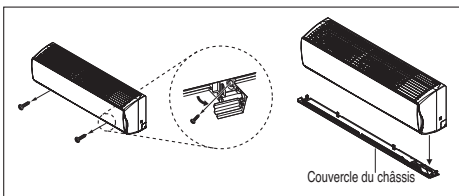
Pour la tuyauterie arrière gauche

7. Installation de l'unité intérieure
 - Accrochez l'unité intérieure dans la partie supérieure de la plaque d'installation.
 - Insérez l'entretoise ou un autre élément d'écartement entre l'unité intérieure et la plaque d'installation, puis dégagez la partie inférieure de l'unité intérieure du mur.

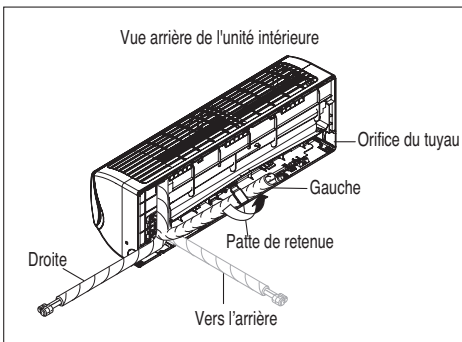


Type Standard Libero / Artcool Libero

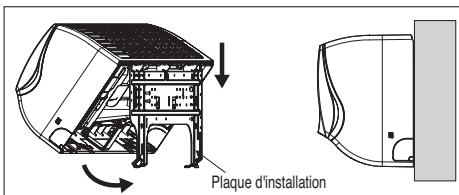
1. Retirez le bouchon vissé au bas de l'unité intérieure.
2. Retirez le couvercle du châssis de l'unité en desserrant les vis.



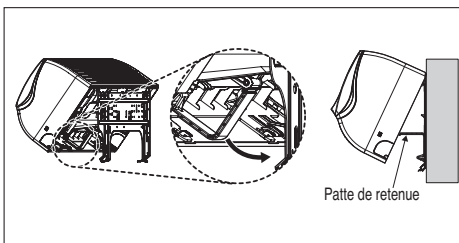
3. Retirez la patte de retenue du tuyau.
4. Enlevez le couvercle de l'orifice du tuyau et positionnez le tuyau.

**5. Installation de l'unité intérieure**

- 1) Accrochez l'unité intérieure à la partie supérieure de la plaque d'installation. (Engagez les trois crochets situés en haut de l'unité intérieure sur le bord supérieur de la plaque d'installation.) Vérifiez que les crochets sont bien en place sur la plaque d'installation en bougeant latéralement l'unité.



- 2) Débloquez la patte de retenue du châssis et insérez-la entre le châssis et la plaque d'installation afin de séparer du mur la partie inférieure de l'unité intérieure.

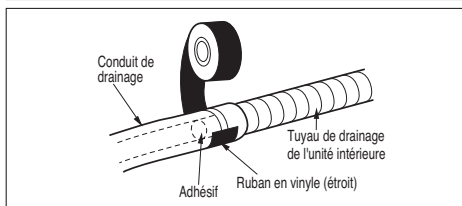
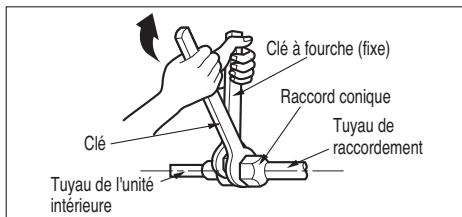
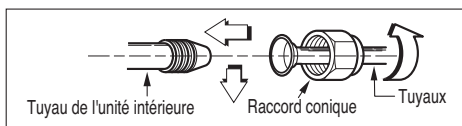


Raccorder la tuyauterie à l'unité intérieure et le tuyau de drainage au onduit.

1. Alignez le centre des tuyaux et serrez suffisamment le raccord conique à la main.
2. Serrez encore plus le raccord conique à l'aide d'une clé.

Diamètre extérieur		Couple de serrage			
mm	pouce	N-m	kgp-m	lbp-pi	
Ø 6.35	1/4	14~18	1.4~1.8	10~13	
Ø 9.52	3/8	34~42	3.5~4.3	25~31	
Ø 12.7	1/2	49~61	5.0~6.2	36~45	
Ø 15.88	5/8	69~82	7.0~8.4	51~60	
Ø 19.05	3/4	100~120	10.0~12.2	73~88	

3. Étendez le tuyau de drainage de l'unité intérieure, puis attachez le conduit de drainage.

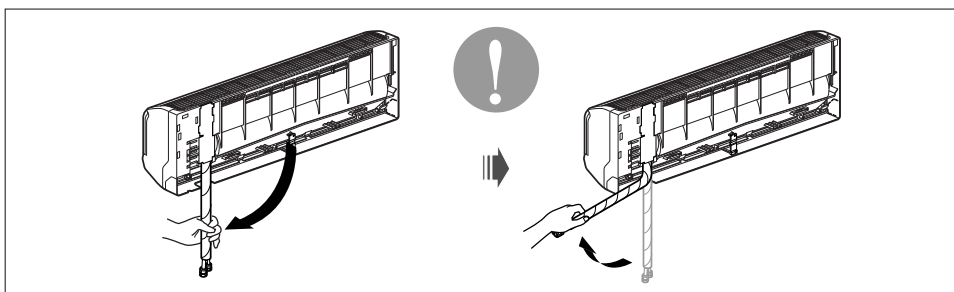


⚠ MISE EN GARDE

Information sur l'installation de la tuyauterie gauche. Suivez les instructions ci-dessous.

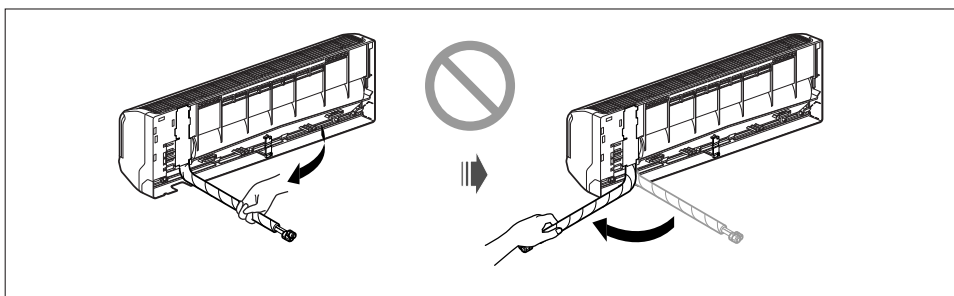
Bon exemple

- Appuyez sur la partie supérieure de la bride et dépliez doucement le tuyau vers le bas.



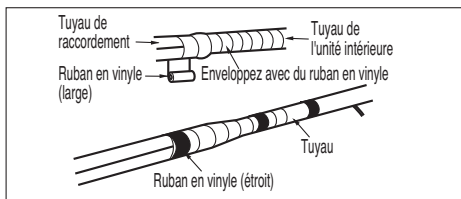
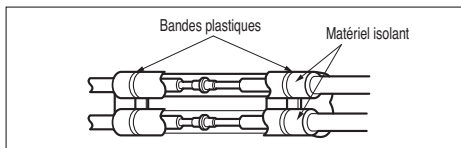
Mauvais exemple

- Plier le tuyau de gauche à droite, comme montré ci-après, risque de l'endommager.



Envelopper la zone de raccordement avec du matériel isolant.

1. Superposez l'isolant thermique du tuyau de raccordement et celui du tuyau de l'unité intérieure. Reliez-les ensemble avec du ruban adhésif pour qu'il ne reste aucun espace vide entre eux.
2. Enveloppez avec du ruban adhésif la zone où se trouve la tuyauterie arrière.
3. Reliez le tuyau et le tuyau de drainage avec du ruban adhésif de telle sorte qu'ils puissent s'encaster dans la zone de la tuyauterie arrière.

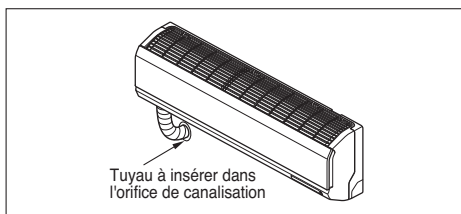
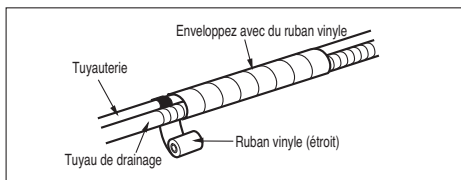


Réorientez les tuyaux et le tuyau de drainage le long de l'arrière du boîtier.

Finaliser l'installation de l'unité intérieure

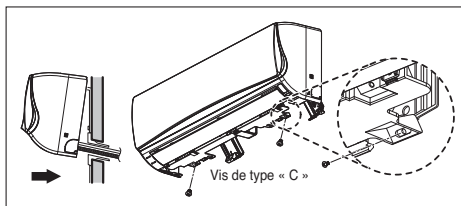
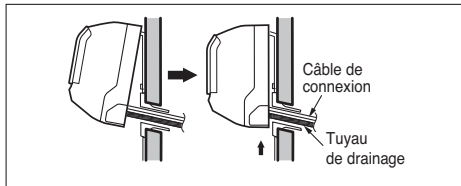
Type Standard / Miroir ART COOL

1. Enlevez l'entretoise.
2. Assurez-vous que les crochets sont correctement appuyés sur la plaque d'installation en essayant de les déplacer à gauche et à droite.
3. Pressez les parties inférieures gauche et droite de l'unité contre la plaque d'installation jusqu'à ce que les crochets soient encastrés dans leurs encoches (vous entendrez alors un déclic).



Type Standard Libero / Artcool Libero

1. Remettez la patte de retenue dans sa position initiale.
2. Assurez-vous que les crochets sont correctement appuyés sur la plaque d'installation en essayant de les déplacer à gauche et à droite.
3. Pressez les parties inférieures gauche et droite de l'unité contre la plaque d'installation jusqu'à ce que les crochets soient encastrés dans leurs encoches (vous entendrez alors un déclic).
4. Terminez le montage en vissant l'unité à la plaque d'installation à l'aide de deux vis de type « C ». Remettez le couvercle du châssis en place.




⚠ MISE EN GARDE

Si l'unité intérieure de type bloc est installée dans un mur ayant un trou ou ayant une ouverture à proximité ou à l'arrière de l'unité, alors l'air en provenance de l'autre côté du mur peut s'infiltrer dans la pièce climatisée. Cet air peut provoquer la formation de gouttelettes d'eau/ rosée indésirables quand il entre en contact avec l'unité intérieure. Tous les trous et ouvertures dans le mur doivent donc être bien bloqués pour éviter que de l'eau dégoutte de l'appareil.

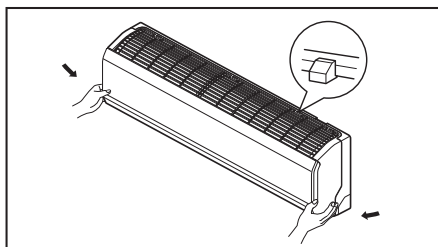
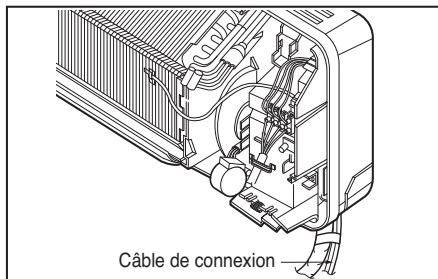
Connexion du câblage

- Raccordez les câbles aux bornes du panneau de commande un à un, selon la connexion de l'unité extérieure.
 - Assurez-vous que la couleur des câbles de l'unité extérieure et les numéros des bornes sont les mêmes que ceux de l'unité intérieure.

Plaque à bornes de l'unité intérieure				
1(L1)	2(L2)		3	4

Raccordé à l'unité extérieure

- Fixez la grille au boîtier.
 - En tenant la partie inférieure gauche et droite de la grille, insérez les quatre languettes de la partie supérieure dans le châssis.
 - Poussez la grille contre le châssis pour la remettre en position.

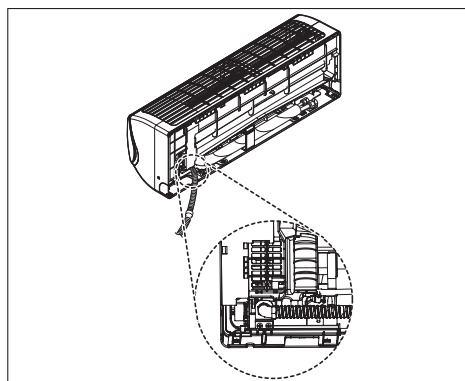
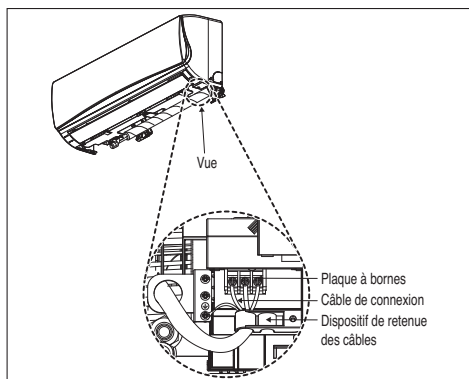
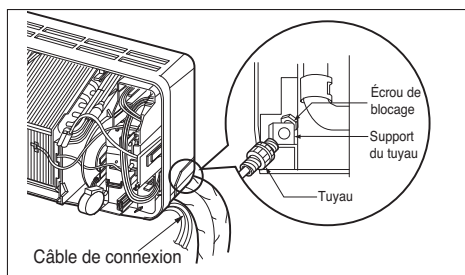
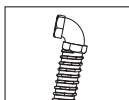


Raccordement du tuyau

- Placez le câble de raccordement dans le bornier de l'unité intérieure, et serrez la vis de réglage pour verrouiller le support de tuyau sur l'unité intérieure.
- Assemblez le tuyau et le support de tuyau à l'aide de l'écrou.

⚠ MISE EN GARDE

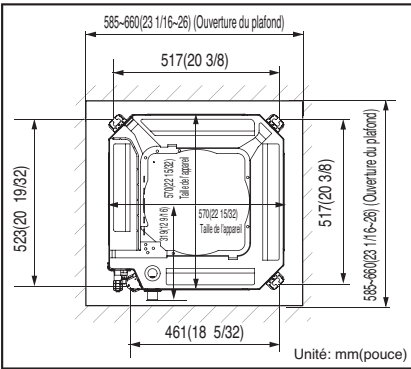
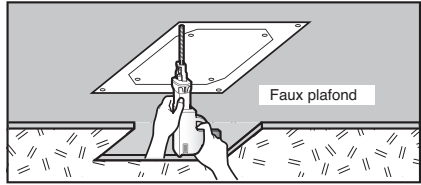
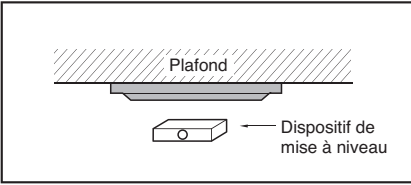
Utilisez le conduit équipé d'un coude (en forme de L).



[Type cassette plafond]

Dimension du plafond et emplacement des boulons de support

- Les dimensions du gabarit en papier pour l'installation sont les mêmes que celles de l'ouverture du plafond.



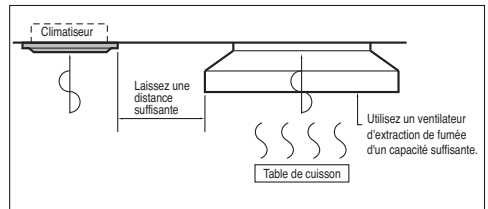
- Sélectionnez et marquez la position pour les boulons de fixation et l'orifice des tuyaux.
- Une fois la direction du tuyau de drainage déterminée, établissez la position des boulons de fixation de telle sorte qu'ils soient légèrement inclinés.
- Dans le mur, percez le trou destiné au boulon d'ancrage.

⚠ MISE EN GARDE

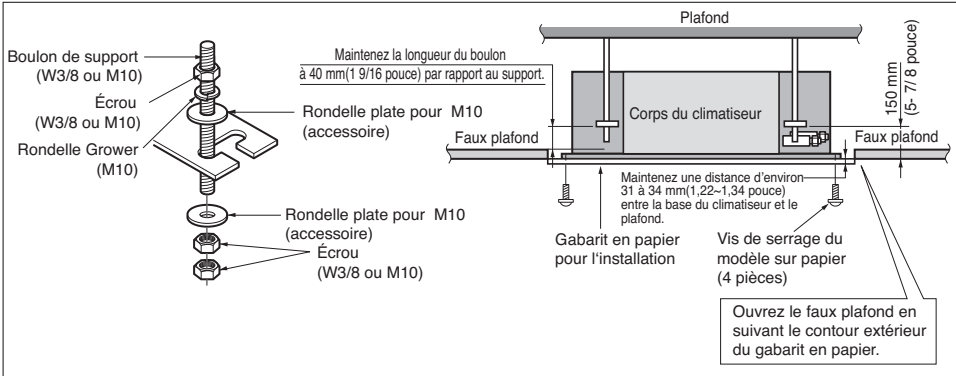
- Ce climatiseur utilise une pompe de vidange.
- Installez l'unité horizontalement à l'aide d'un dispositif de mise à niveau.
- Prenez soin de ne pas abîmer les câbles électriques pendant l'installation.

REMARQUE

- Évitez les emplacements d'installation suivants.
 1. Des endroits tels que des restaurants et des cuisines, où l'appareil est exposé à une quantité considérable de vapeur d'huile et de farine. Celles-ci peuvent réduire l'efficacité de l'échange de chaleur, générer des gouttes d'eau ou entraîner le mauvais fonctionnement de la pompe de drainage. Dans de tels cas, prenez les mesures suivantes:
 - Veillez à ce que la capacité du ventilateur d'extraction suffise à évacuer tous les gaz nocifs de la pièce.
 - Installez le climatiseur à une distance suffisante de la cuisine, afin d'éviter qu'il aspire les vapeurs d'huile.
 2. Évitez d'installer le climatiseur dans des endroits où il serait exposé à l'huile de cuisine ou de la poudre de fer.
 3. Évitez les endroits où du gaz inflammable se dégage.
 4. Évitez les endroits où des gaz nocifs sont produits.
 5. Évitez les endroits à proximité de générateurs à haute fréquence.



Fixation



• Les pièces ci-dessous peuvent être achetées sur place.

- ① Boulon de support - W 3/8 ou M10
- ② Écrou - W 3/8 ou M10
- ③ Rondelle Grower - M10
- ④ Rondelle plate - M10

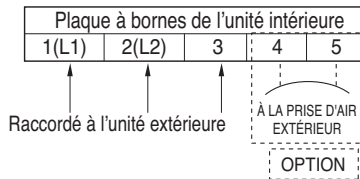
⚠ MISE EN GARDE

Serrez l'écrou et le boulon pour empêcher l'appareil de tomber.

Connexion du câblage

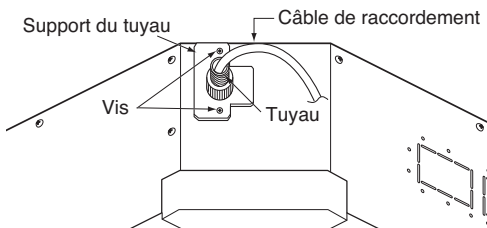
• Ouvrez le couvercle du panneau de commande et connectez le câble de la télécommande et les câbles internes.

Série TQ/TR



Raccordement du tuyau

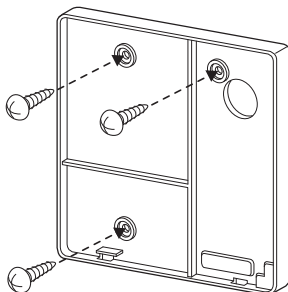
- Enlevez le manchon en caoutchouc fixé sur l'unité intérieure.
- Assemblez le tuyau et le support de tuyau à l'aide de l'écrou.
- Placez le câble de raccordement dans la plaque à borne de l'unité intérieure, et serrez la vis de serrage pour verrouiller le support de tuyau sur l'unité intérieure.



Installation de la télécommande câblée (optionnelle)

1. Après avoir positionné le support de la télécommande à l'endroit désiré, fixez-le solidement à l'aide des vis fournies.

- Pour une installation adéquate, évitez que le support soit tordu.
- Installez le support de télécommande à proximité du boîtier de remise en état, le cas échéant.
- Installez le support sans laisser d'espace par rapport au mur, afin d'empêcher les vibrations après l'installation.

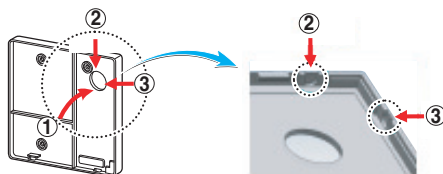


2. Vous pouvez installer le câble de la télécommande selon trois directions.

- Directions d'installation : vers la surface du mur, vers le haut, vers la droite.
- Si vous installez le câble de télécommande vers le haut ou la droite, dégagez d'abord la rainure guide du câble de télécommande.

✳ Dégagez la rainure avec une pince à long bec.

- ① Vers la surface du mur
- ② Rainure de la partie supérieure
- ③ Rainure de la partie droite

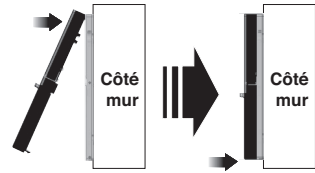


<Rainures des fils>

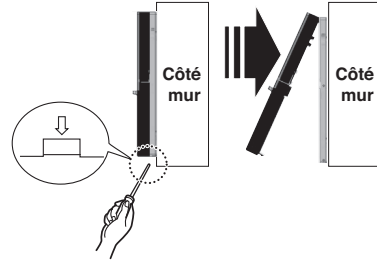
3. Insérez la partie supérieure de la télécommande dans le support installé au mur, comme illustré ci-contre, puis connectez-la au support en appuyant sur la partie inférieure.

- Lors de la connexion, supprimez tout espace au niveau des parties supérieure, inférieure, droite et gauche de la télécommande et du support d'installation.
- Avant l'assemblage de la télécommande et du support, disposez le câble pour qu'il ne nuise pas aux pièces du circuit.

<ordre de connexion>



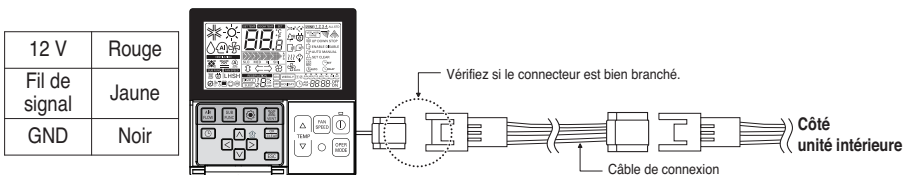
<ordre de séparation>



Pour détacher la télécommande du support d'installation, comme illustré ci-contre, insérez d'abord le tournevis dans le trou de séparation inférieur, puis tournez dans le sens des aiguilles d'une montre.

- Il existe deux trous de séparation. Utilisez-les individuellement.
- Veillez à ne pas endommager les composants intérieurs lors de la séparation.

4. Connectez l'unité intérieure et la télécommande à l'aide du câble de connexion.



5. Utilisez un câble de rallonge si la distance comprise entre la télécommande câblée et l'unité intérieure est supérieure à 10 m (32,8 pi).

⚠ MISE EN GARDE

Lors de l'installation de la télécommande, évitez de l'encastrer dans le mur.

(Cela risque d'endommager le capteur de température.)

N'installez pas un câble dont la longueur dépasse 50 m (164 pi)

(Cela risque de causer des erreurs de communication.)

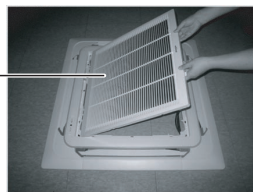
- Lors de l'installation du câble de rallonge, vérifiez les sens de connexion du connecteur de la télécommande et de l'appareil.
- Si vous installez le câble de rallonge dans le mauvais sens, le connecteur ne sera pas branché.
- Spécification du câble de rallonge : 2547 1007 22# 2 conducteur 3 blindé 5 ou supérieur.

Installation du panneau décoratif

**Le panneau décoratif a un sens d'installation qu'il faut respecter.
Avant d'installer le panneau décoratif, retirez toujours le gabarit en papier.**

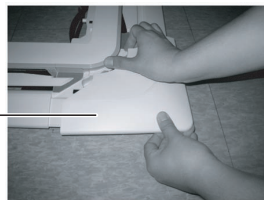
1. Retirez l'emballage et retirez la grille d'entrée d'air du panneau avant.

Grille avant



2. Enlevez les protecteurs de coin du panneau.

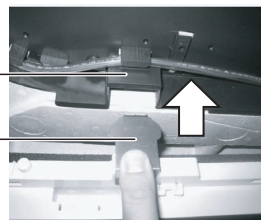
Protecteur de coin



3. Montez le panneau sur l'unité en insérant les crochets comme illustré.

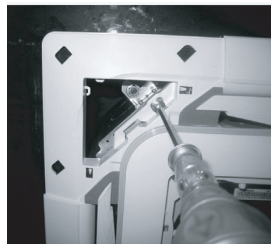
Pince pour crochet

Crochet

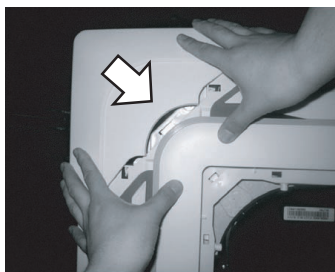


4. Insérez deux vis dans les coins opposés du panneau, sans les serrer complètement. (Les vis de fixation sont comprises dans la boîte de l'unité intérieure).

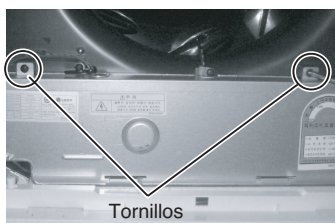
Vérifiez l'alignement du panneau par rapport au plafond. La hauteur peut être réglée en utilisant des boulons de support, comme indiqué dans l'illustration. Insérez les deux autres vis et serrez-les complètement.



5. Réinstallez les protecteurs de coin.



6. Dévissez deux vis du couvercle du panneau de commande.

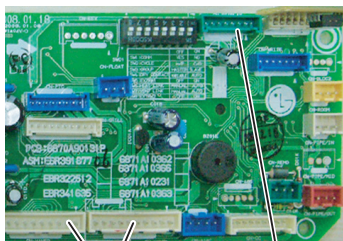


7. Branchez un connecteur d'affichage et deux connecteurs de commande d'ailettes du panneau avant sur le circuit imprimé de l'unité intérieure.

Les mentions indiquées sur le circuit imprimé sont :

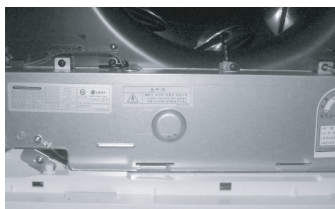
CN-DISPLAY pour le connecteur d'affichage

CN-VANE 1,2 pour les connecteurs des ailettes

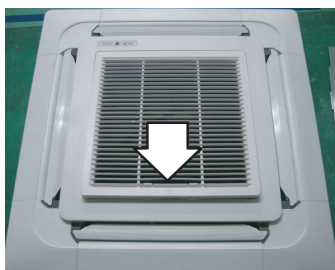


CN-VANE 1,2 CN-DISPLAY

8. Refermez le couvercle du boîtier de commande.



9. Installez la grille d'entrée d'air et le filtre sur le panneau.

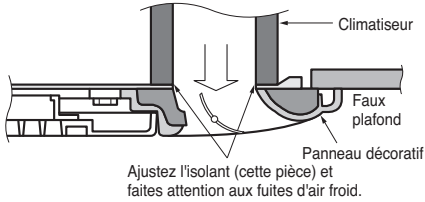


⚠ MISE EN GARDE

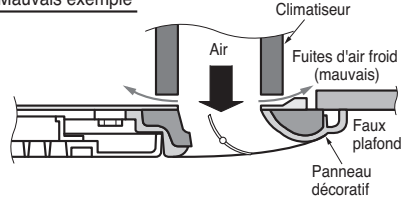
Installez le panneau décoratif.

Des fuites d'air froid provoquent des suintements ⇨ des gouttes d'eau tombent.

Bon exemple

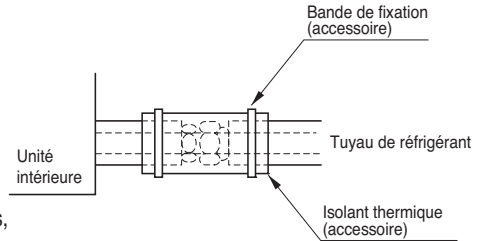


Mauvais exemple



ISOLATION THERMIQUE

1. Utilisez le matériel d'isolation thermique pour les tuyaux de liquide réfrigérant, dont la résistance à la chaleur est excellente [plus de 120 °C(248 °F)].
2. Précautions en cas d'humidité élevée : ce climatiseur n'a présenté aucun défaut lorsque soumis aux tests des « KA Standard Conditions with Mist » (Normes KS avec bruine). Toutefois, lors d'un fonctionnement prolongé dans une atmosphère très humide [température du point de rosée supérieure à 23 °C(73.4 °F)], un écoulement d'eau peut se produire. Dans ce cas, ajoutez du matériel d'isolation thermique en suivant cette procédure :

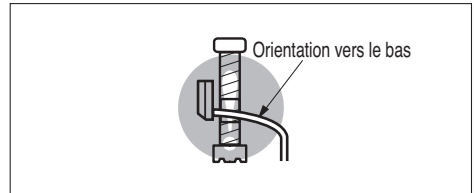


- Utilisez le matériau d'isolation thermique suivant : laine de verre adiabatique d'une épaisseur de 10 à 20 mm.
- Collez de la laine de verre sur tous les climatiseurs placés au plafond.

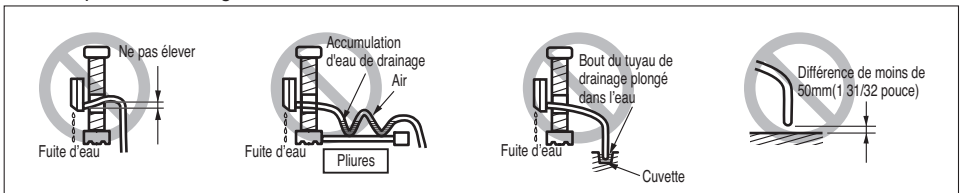
Tuyauterie de drainage

[Type Standard / Standard Libero / Miroir ART COOL]

1. Pour un drainage optimal, le tuyau doit être orienté vers le bas.



2. Exemples de drainage incorrect :



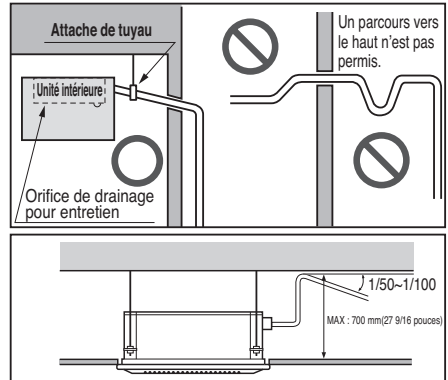
[Climatiseur de type à conduit caché dans le plafond/Climatiseur Type Cassette]

- La tuyauterie de drainage doit avoir une inclinaison vers le bas (1/50 à 1/100) : pour éviter tout reflux, assurez-vous qu'il n'y ait pas de remontées.
- Pendant la connexion de la tuyauterie de drainage, prenez garde à ne pas exercer une grande pression sur l'orifice de drainage de l'unité intérieure.
- Le diamètre extérieur de la connexion de drainage de l'unité intérieure est de 32 mm (1 1/4 pouce).

Matériau de la tuyauterie : tuyau en PVC d'un diamètre intérieur de 25 mm (1 pouce) et raccords pour tuyaux.

- Assurez-vous d'installer un isolant thermique pour la tuyauterie de drainage.

Matériau d'isolation thermique : Mousse de polyéthylène de plus de 8 mm (5/16 pouce). d'épaisseur.

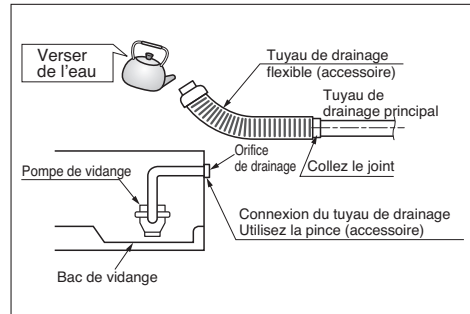


Essai de drainage

Le climatiseur utilise une pompe de vidange pour drainer l'eau.

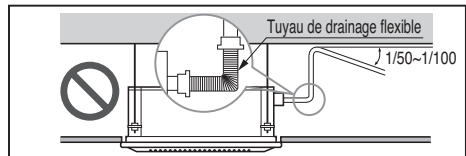
Suivez la procédure suivante pour tester le fonctionnement de la pompe de vidange :

- Connectez le tuyau de drainage principal vers l'extérieur, jusqu'à la fin du test.
- Versez de l'eau dans le tuyau de drainage flexible et vérifiez pour des fuites.
- Vérifiez si la pompe de vidange fonctionne normalement et s'il y a absence de bruit une fois le câblage électrique terminé.
- Dès la fin du test, connectez le tuyau de drainage flexible à l'orifice de drainage sur l'unité intérieure.



⚠ MISE EN GARDE

Le tuyau de drainage flexible fourni ne doit pas être courbé ni vissé, sinon des fuites pourraient survenir.

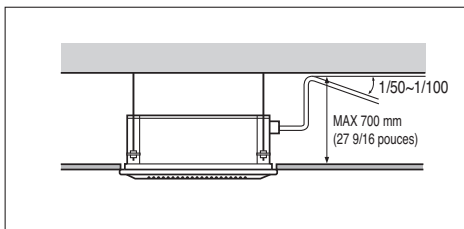


* The figure can be changed according to model.

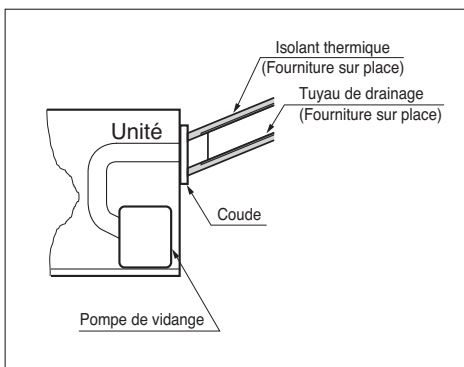
* L'illustration peut différer d'un modèle à l'autre.

Attention

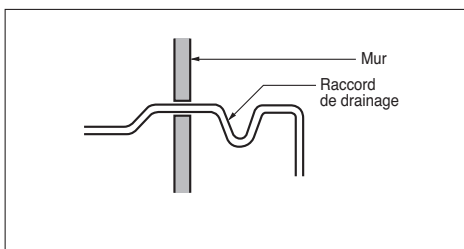
1. Le collecteur de drainage peut avoir jusqu'à 700 mm (27 9/16 pouce) de hauteur. Elle doit donc être installée au-dessous de 700 mm (27 9/16 pouce).
2. Installez le tuyau de drainage vers le bas jusqu'à une inclinaison de 1/50~1/100.
Évitez tout flux vers le haut ou reflux dans tous les composants.



3. Un isolant thermique de 5 mm (3/16 pouce) ou plus d'épaisseur est fourni pour le tuyau de drainage.



4. Un parcours vers le haut n'est pas permis.
5. Vérifiez si la pompe de vidange fonctionne normalement et s'il y a absence de bruit une fois le câblage électrique terminé.



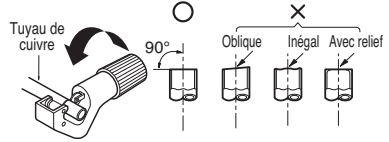
Travail d'évasement et raccordement de la tuyauterie

Travail d'évasement

La cause principale de fuites de gaz est un travail d'évasement défectueux. Réalisez ce travail correctement suivant cette procédure.

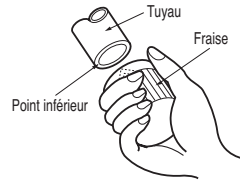
1) Coupez les tuyaux et le câble.

- Utilisez l'ensemble de tuyauterie accessoire ou les tuyaux achetés sur place.
- Mesurez la distance entre l'unité intérieure et l'unité extérieure.
- Coupez les tuyaux un peu plus longs que la distance mesurée.
- Coupez le câble 1,5 m (5,0 pi) plus long que la longueur des tuyaux.



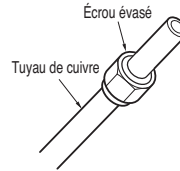
2) Enlevez les bavures

- Enlevez complètement toutes les bavures de la section de coupe des tuyaux/raccords.
- Lorsque vous enlevez les bavures, placez le bout du tuyau/raccord de cuivre dans une direction descendante pour éviter que les bavures tombent à l'intérieur de la tuyauterie.



3) Montage des écrous

- Retirez les écrous évasés de l'unité intérieure et de l'unité extérieure, puis placez-les autour des tuyaux/raccords après avoir enlevé complètement les bavures. (il n'est pas possible de les installer après le travail d'évasement).

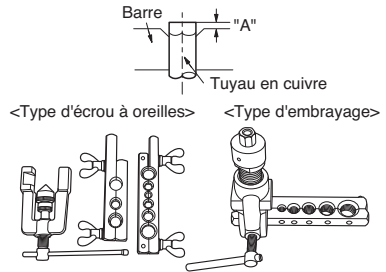


4) Travail d'évasement

- Réalisez le travail d'évasement à l'aide d'un outil d'évasement tel qu'il est illustré ci-dessous.

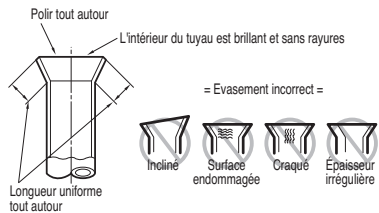
Dimension des tuyaux pouce (mm)	A pouce (mm)	
	Type d'écrou a oreilles	Type d'embrayage
Ø 1/4 (Ø 6.35)	0.04~0.05 (1.1~1.3)	0~0.02 (0~0.5)
Ø 3/8 (Ø 9.52)	0.06~0.07 (1.5~1.7)	
Ø 1/2 (Ø 12.7)	0.06~0.07 (1.6~1.8)	
Ø 5/8 (Ø 15.88)	0.06~0.07 (1.6~1.8)	
Ø 3/4 (Ø 19.05)	0.07~0.08 (1.9~2.1)	

Tenez solidement le tuyau de cuivre avec une filière d'évasements suivant les dimensions citées dans le tableau ci-dessus.



5) Vérification

- Comparez votre travail d'évasement avec la figure ci-contre.
- Si l'évasement semble défectueux, coupez la section évasée et refaites l'évasement.



Raccordement des tuyaux - Extérieur

Alignez le centre du tuyau et serrez correctement le raccord conique à la main.

Ordre de raccordement des tuyaux

- 1) Tuyau côté gaz (pièces A~C)
- 2) Tuyau côté liquide (pièces A~C)

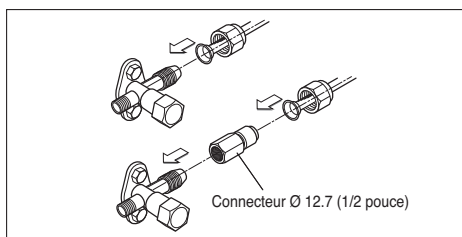
Pour terminer, serrez le raccord conique à l'aide d'une clé dynamométrique jusqu'à ce qu'elle émette un « clic ».

- Lors du serrage des raccords coniques avec la clé dynamométrique, vérifiez que le sens de serrage correspond au sens de la flèche sur la clé.

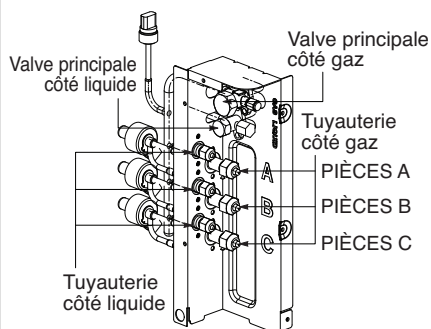
Diamètre extérieur		Couple de serrage		
mm	pouce	N·m	kgp·m	lbp·pi
Ø 6.35	1/4	14~18	1.4~1.8	10~13
Ø 9.52	3/8	34~42	3.5~4.3	25~31
Ø 12.7	1/2	49~61	5.0~6.2	36~45
Ø 15.88	5/8	69~82	7.0~8.4	51~60
Ø 19.05	3/4	100~120	10.0~12.2	73~88

Unité BD	Taille du tuyau de connexion (pouce(mm))		Combinaison Raccordable (Btu/h classe)
	Tuyau de liquide	Tuyau de gaz	
PMBD3620	1/4 (Ø 6.35) x 2 EA	3/8 (Ø 9.52) x 2 EA	7,9,12,15,18,24 k
PMBD3630	1/4 (Ø 6.35) x 3 EA	3/8 (Ø 9.52) x 3 EA	7,9,12,15,18,24 k
PMBD3640	1/4 (Ø 6.35) x 4 EA	3/8 (Ø 9.52) x 4 EA	7,9,12,15,18,24 k
PMBD3641	1/4 (Ø 6.35) x 4 EA	3/8 (Ø 9.52) x 3 EA	7,9,12,15,18,24 k (PIÈCES A,B,C)
		1/2 (Ø 12.7) x 1 EA	24,36 k (PIÈCES ROOM)

* L'unité BD (PMBD3641) comprend le connecteur.
 (Ø 12.7 → Ø 15.88 x 1 EA, Ø 6.35 → Ø 9.52 x 1 EA)

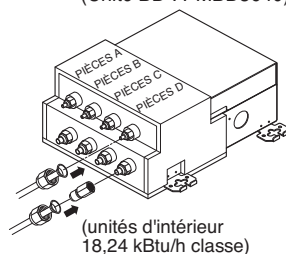


Unité extérieure

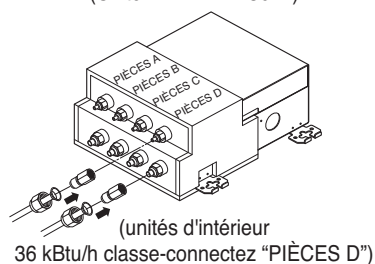


Unité extérieure (36,42 kBTU/h classe)

(Unité BD : PMBD3640)



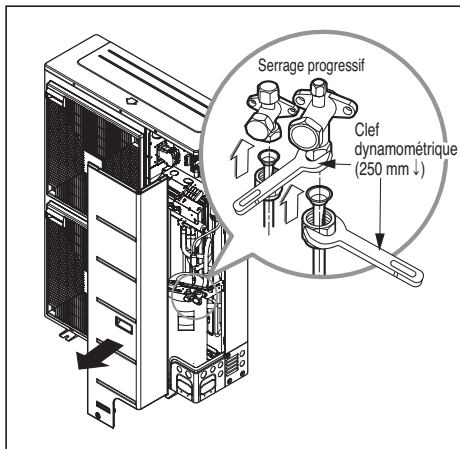
(Unité BD : PMBD3641)



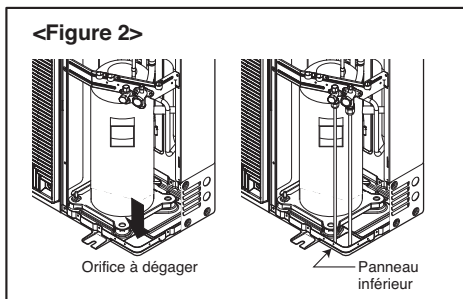
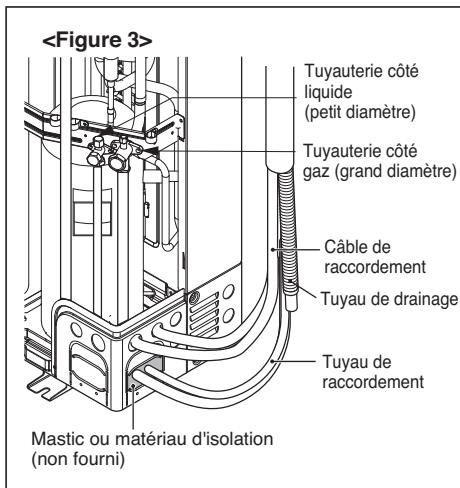
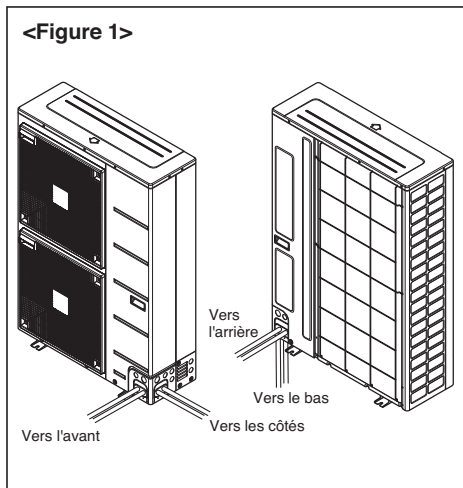
- Les appareils dont la capacité est supérieure à 48 kBTU/h sont équipées de raccordements sur quatre côtés. (Voir Figure 1)
- En cas de raccordement vers le bas, dégagez l'orifice situé sur le panneau inférieur. (voir Figure 2)

Pour empêcher les objets étrangers de pénétrer (Figure 3)

- Bouchez les orifices de passage des tuyaux avec du mastic ou un matériau d'isolation (non fourni), afin d'empêcher la poussière et les objets étrangers de pénétrer (voir Figure 3).
- Si des insectes ou des petits animaux pénétraient dans l'unité extérieure, cela pourrait provoquer un court-circuit dans le boîtier électrique.

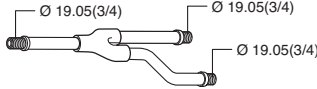
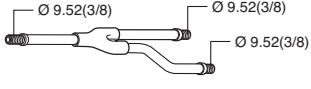


*: Tenez le corps hexagonal au moment du serrage de la conduite.

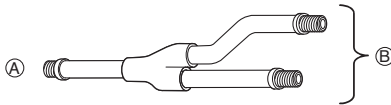


Embranchement

[unité : mm]

Modèle	Tuyau de gaz	Tuyau de liquide
PMBL5620		

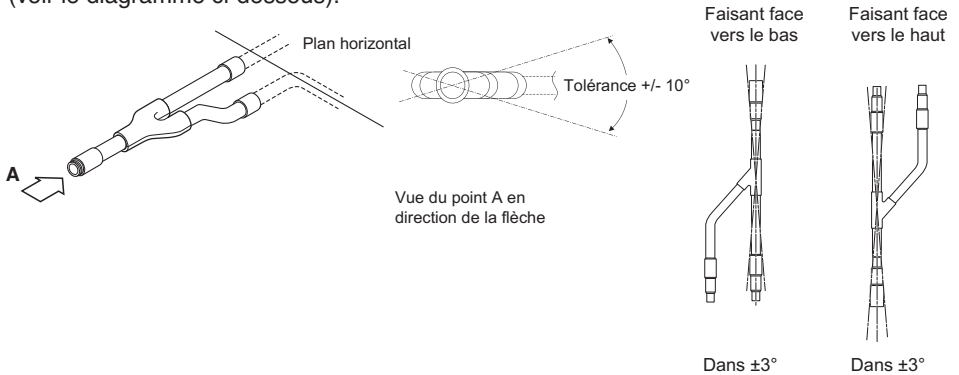
■ Embranchement en Y



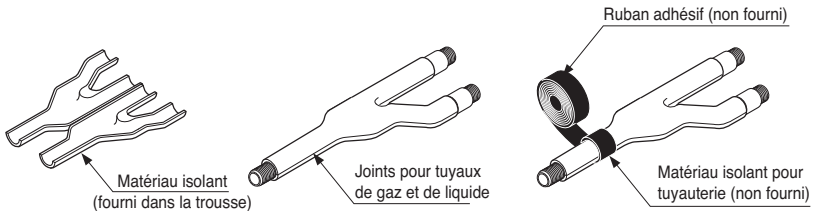
Ⓐ Vers l'unité extérieure

Ⓑ Vers l'unité BD

- Vérifiez que les tuyaux d'embranchement sont fixés horizontalement ou verticalement (voir le diagramme ci-dessous).

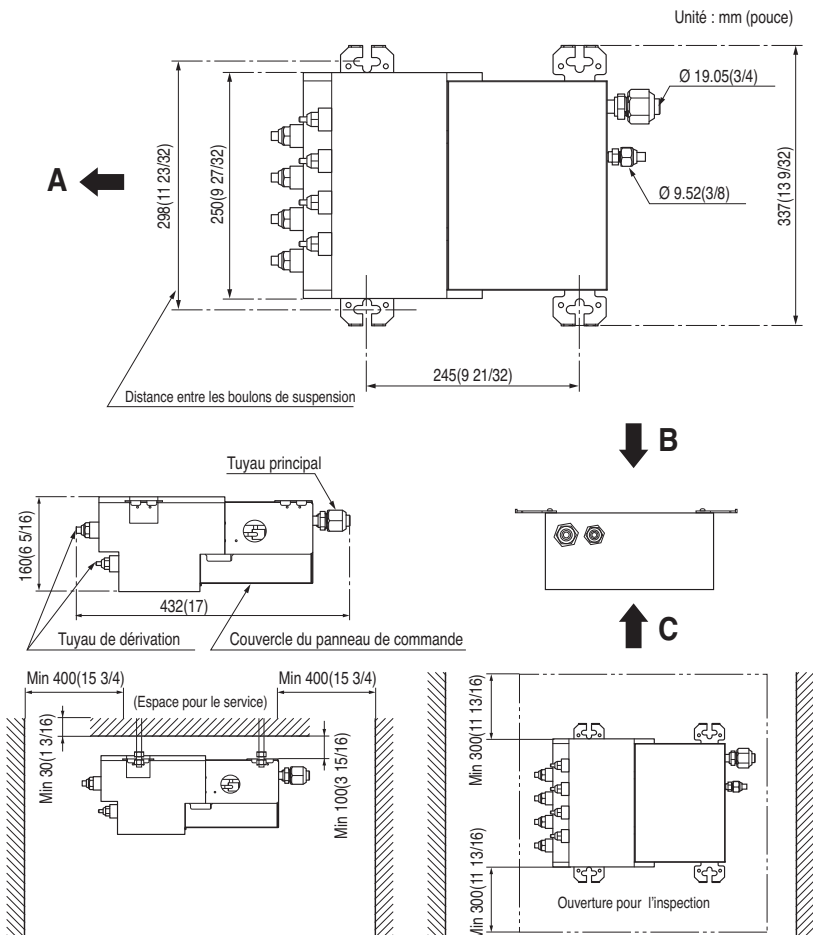


- Les tuyaux d'embranchement doivent être isolés à l'aide du matériau fourni dans chaque trousse.



Installation

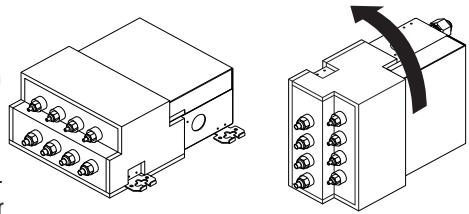
- Cet appareil peut être suspendu au plafond ou installé sur le mur.
- Cet appareil peut être installé horizontalement, comme indiqué sur le diagramme ci-dessous (côté B vers le haut). Toutefois, il peut être orienté indifféremment vers l'avant, l'arrière ou les côtés.
- Veillez à laisser une ouverture carrée de 600 mm de côté pour l'inspection et l'entretien, comme indiqué dans le diagramme ci-dessous, pour une installation au plafond ou au mur.
- Cet appareil ne nécessite pas de « dispositif de drainage », car il utilise un traitement interne à base de mousse pour l'isolation des tuyaux basse pression.
- L'entretien s'effectue par les côtés B et C.
- La tuyauterie pour l'unité intérieure peut être réalisée dans la direction A.
- Le côté B supporte une tolérance d'inclinaison de ± 5 degrés vers l'avant, l'arrière ou les côtés.



Installation de l'unité principale

REMARQUE :

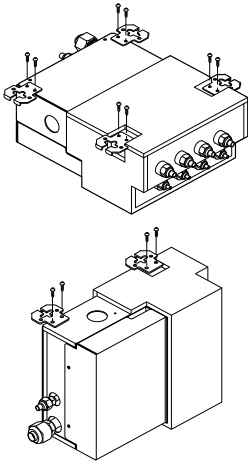
- Cette unité peut être installée de deux façons : (1) au plafond et (2) au mur.
 - Choisissez le type d'installation appropriée en fonction du lieu.
 - L'emplacement du panneau de connexion imprimé peut être changé.
- Suivez la procédure décrite à la section « BRANCHEMENTS ÉLECTRIQUES » pour plus d'informations sur le changement d'emplacement.



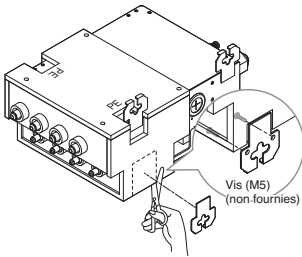
(1) Installation au plafond

(2) Installation murale

(1) Installation au plafond

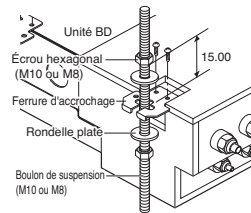


(2) Installation murale



Procédure

- (1) Fixez les ferrures d'accrochage fournies à l'aide de deux vis pour chacune (4 ferrures au total).
 - (2) Fixez chaque boulon de suspension au plafond en utilisant une cheville d'ancrage.
 - (3) Montez un écrou hexagonal et une rondelle plate (non fournis) sur chaque boulon de suspension, comme indiqué sur la figure ci-contre, puis soulevez l'unité afin de l'accrocher à aux ferrures.
 - (4) Avec un niveau, vérifiez que l'unité est installée correctement, puis serrez les écrous hexagonaux.
- * La tolérance d'inclinaison de l'unité est de $\pm 5^\circ$ vers l'avant/arrière et la gauche/droite.



Procédure

- (1) Fixez chaque ferrure d'accrochage à l'aide de deux vis pour chacune. (3 ferrures au total).
 - (2) Avec un niveau, vérifiez que l'unité est installée correctement, puis fixez-la à l'aide des vis à bois fournies.
- * La tolérance d'inclinaison de l'unité est de $\pm 5^\circ$ vers l'avant/arrière et la gauche/droite.
- * Après avoir installé les ferrures, bouches les orifices près des ferrures d'accrochage (2 trous par ferrure) à l'aide d'un matériau d'isolation.

⚠ MISE EN GARDE

- Après avoir inséré une vis dans un des ferrures de l'unité principale, veillez à la rentrer bien au fond ou à la couvrir d'un ruban d'aluminium (adhésif), afin d'empêcher la condensation.
- Veillez à bien installer cette unité en orientant le côté « plafond » vers le haut.
- N'installez pas l'unité à proximité d'une chambre à coucher. La circulation du frigorigène dans la tuyauterie pourrait causer des bruits audibles.

Branchement du câble entre les unités intérieure, de distribution et extérieure

Câblage de l'unité intérieure

Le câblage de l'unité intérieure se fait par le raccordement individuel des câbles aux bornes du panneau de commande un à un suivant le raccordement de l'unité extérieure. (Assurez-vous que la couleur des câbles de l'unité extérieure et les numéros des bornes soient les mêmes que ceux de l'unité intérieure.)

Le câble de mise à la terre doit être plus long que les câbles ordinaires.

Le schéma de câblage ne sera pas modifié sans préavis.

Lors de l'installation, reportez-vous au diagramme électrique situé derrière le panneau avant de l'unité intérieure.

Le câblage de l'unité extérieure se trouve à l'intérieur du couvercle du tableau de commande de l'unité extérieure.

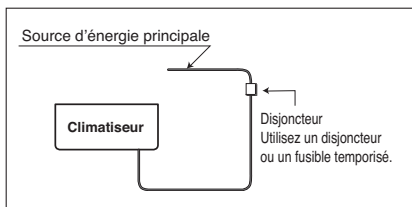


RECOMMANDATIONS :

- Le schéma de câblage peut être modifié sans préavis.
- Branchez les fils selon le diagramme de câblage.
- Branchez solidement les fils pour éviter qu'ils soient débranchés facilement.
- Branchez les fils selon les codes de couleur du diagramme de câblage.



RECOMMANDATION : Installez un disjoncteur entre la source d'alimentation et l'unité extérieure, comme illustré ci-dessous.

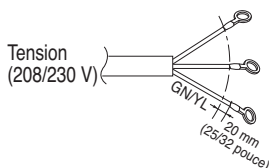


Capacité de l'unité extérieure (BTU/h)	Source d'énergie	Capacité du fusible ou du disjoncteur
18/24 k	1Ø,208/230 V	20 A
30/36 k	1Ø,208/230 V	25 A
48/54 k	1Ø,208/230 V	40 A
60 k	1Ø,208/230 V	45 A



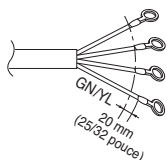
RECOMMANDATION : Le cordon d'alimentation raccordé à l'unité extérieure doit être conforme aux spécifications du programme NRTL (par ex., homologué par UL ou ETL et certifié CSA).

■ Cordon d'alimentation



Comme toujours, la sélection définitive des câbles est régie par les codes locaux et leur installation doit être effectuée par un entrepreneur professionnel agréé.

■ Câble de connexion



	La taille minimum du câble recommandée
18/24 kBTU/h	AWG 14-3
30/36 kBTU/h	AWG 12-3
48/54 kBTU/h	AWG 10-3
60k kBTU/h	AWG 8-3

Le câble d'alimentation entre les unités intérieure et extérieure doit être conforme aux spécifications du programme NRTL (par ex., homologué par UL ou ETL et certifié CSA).

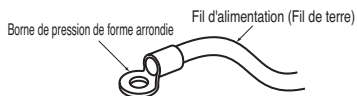
AWG 18-4 représente la taille minimum du câble recommandée; toutefois, les conducteurs sélectionnés doivent être conformes aux codes locaux et adaptés à une installation dans les endroits humides.



RECOMMANDATION : Si vous utilisez des fils séparés comme cordon d'alimentation, veuillez attacher les fils individuels au panneau du boîtier de contrôle à l'aide d'attaches autobloquantes.

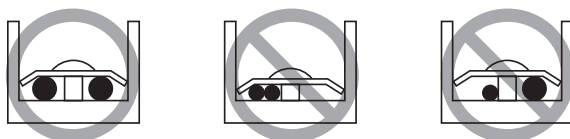
◆ Précautions à prendre lors de la pose du câble d'alimentation et du fil de terre

Utilisez des cosses serties à anneau pour les connexions au bornier de puissance.
Lors de la pose du fil de terre, vous devez utiliser des bornes à pression rondes



En cas d'indisponibilité, suivez les instructions ci-dessous.

- Ne connectez pas des câbles de diamètres différents au bornier de puissance (un jeu dans le câblage de puissance peut entraîner un échauffement anormal).
- Lorsque vous connectez les câbles de diamètre identique, procédez comme indiqué dans la figure ci-dessous.



- Pour effectuer le câblage, utilisez le câble d'alimentation approprié que vous devez fixer fermement. Ensuite, protégez-le pour éviter que la pression extérieure ne s'exerce sur la borne de dérivation.
- Servez-vous du tournevis approprié pour serrer les vis-borne. Un tournevis avec une petite tête usera la tête de sorte à rendre le serrage impossible.
- Vous risquez d'endommager les vis-borne si vous les serrez trop.

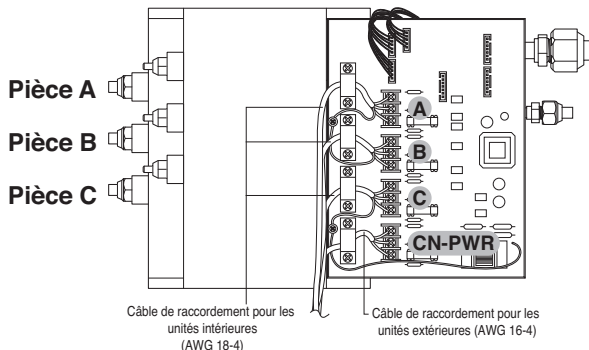
Câblage de l'unité de distribution

- Raccordez les tuyaux de réfrigération et branchez les fils aux bornes appropriées en respectant les lettres (A, B et C) indiquées sur l'unité.
- Suivez les instructions indiquées sur le schéma de câblage pour effectuer les branchements électriques des unités intérieure/extérieure sur les bornes numérotées du bornier (1, 2 et 3). Veillez à fixer séparément chaque fil de terre à l'aide d'une vis distincte (voir figure ci-dessous).
- Après avoir terminé les branchements électriques, fixez les isolants extérieurs des fils à l'aide de serre-fils. Le serre-fils pour l'unité intérieure est fourni. Suivez la procédure ci-dessous pour effectuer l'installation.
- Reportez-vous au schéma de câblage se trouvant à l'intérieur du couvercle du tableau de commande de l'unité extérieure.

REMARQUE :

Les bornes du bornier sont numérotées de 1 à 3, de haut en bas.

Exemple d'installation pour 3 pièces

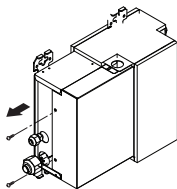


⚠ AVERTISSEMENT

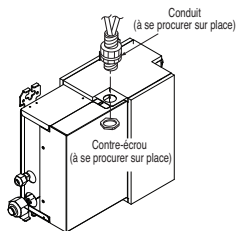
N'utilisez pas de câbles reliés par des prises, des prolongateurs ou des connexions intermédiaires, car cela peut provoquer une surchauffe, un choc électrique ou un incendie.

FRANÇAIS

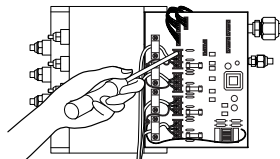
- (1) Retirez le couvercle du panneau de commande. Desserrez les deux vis et faites glisser le couvercle dans le sens de la flèche.



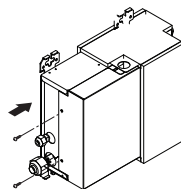
- (2) Passez le câble de connexion dans la conduite. Serrez l'écrou sur le côté opposé du panneau. Passez le câble de connexion dans l'orifice.



- (3) Effectuez les branchements en vous reportant au schéma de câblage se trouvant à l'intérieur du couvercle du tableau de commande de l'unité extérieure. Laissez 300 mm (11 13/16 pouce) de longueur de câble en plus pour permettre l'ouverture. Fixez correctement les câbles à l'aide de serre-fils (4 emplacements).

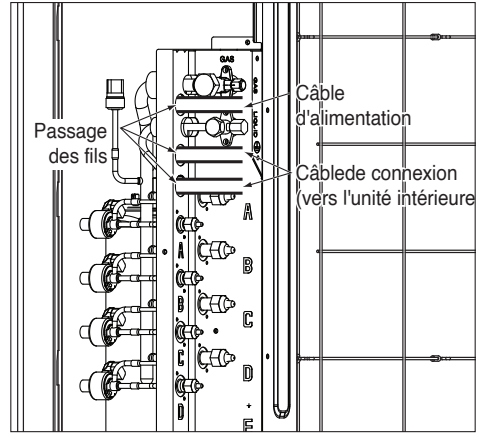


- (4) Remplacez le couvercle en le faisant glisser dans le sens de la flèche, puis serrez les vis.

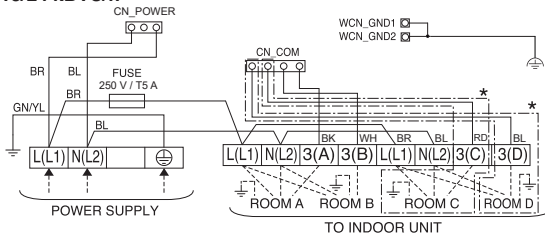


Câblage de l'unité extérieure

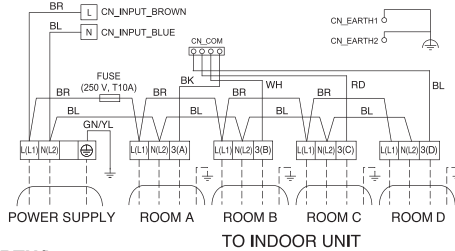
1. Dévissez les vis du couvercle du panneau de commande et enlevez-le.
Raccordez les câbles aux bornes du panneau de commande un à un comme indiqué.
2. Attachez le câble dans le panneau de commande avec le support (bride).
3. Revissez le couvercle du panneau de commande.



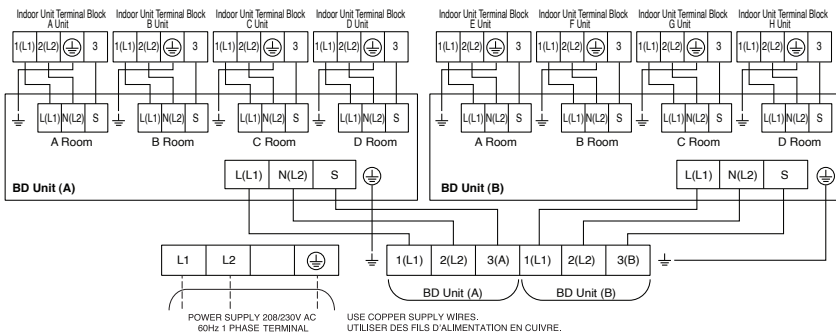
Catégorie 18/24 kBTU/h



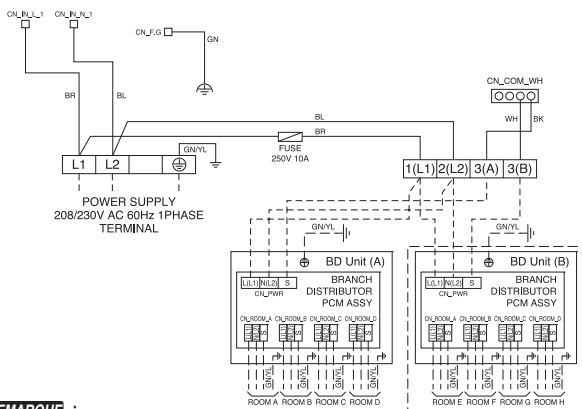
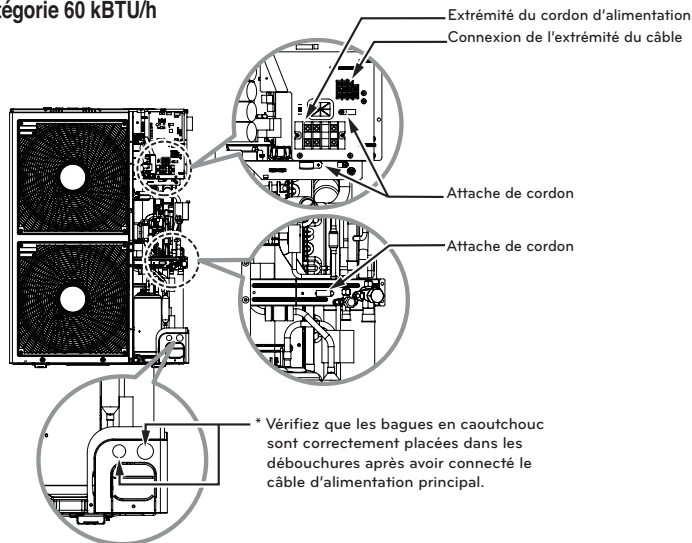
Catégorie 30/36 kBTU/h



Catégorie 48/54 kBTU/h



Catégorie 60 kBTU/h



REMARQUE :

- Utilisez le câble de branchement NRTL (UL, ETL, CAS...) spécifié et les conducteurs THHN torsadés en CUIVRE (4), la gaine de 600 V en fibre de polychlorure de vinyle répertoriée, conforme au ROHS, résistant aux rayons ultraviolets (UV), enterrée directement et approuvée pour une utilisation dans des conditions humides. Température nominale de -20 °C (-4 °F) jusqu'à 90 °C (194 °F). Ce câble doit être enveloppé dans le conduit.

⚠ AVERTISSEMENT

- Assurez-vous de respecter les codes locaux et nationaux quant au raccordement de l'unité intérieure à l'unité extérieure (dimension du câble et méthode de câblage, etc.).
- Tous les câbles doivent être solidement raccordés.
- Aucun câble ne doit toucher la tuyauterie de réfrigération, le compresseur ni aucune pièce mobile.
- Les câbles de communication du climatiseur doivent être séparés et isolés du circuit électrique des appareils externes comme les ordinateurs, l'ascenseur, les équipements de diffusion radio et télévision ainsi que des structures d'imagerie médicale.

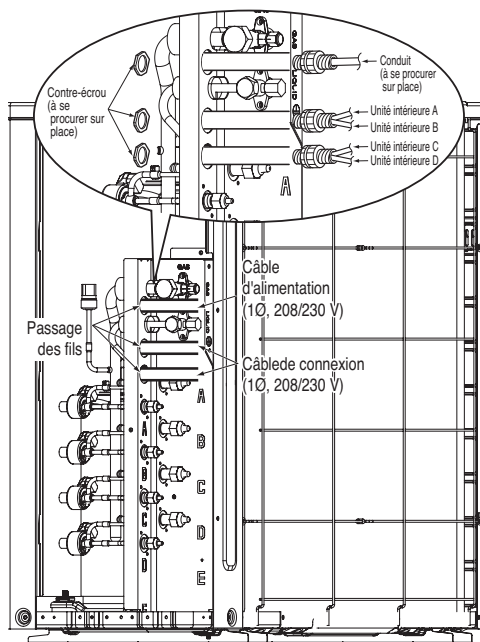
Méthode de câblage du câble de connexion (exemple)

- (1) Retirez le panneau latéral et dégager les ouverture du panneau de conduit (pour les fil à basse tension).
- (2) Passez le câble de connexion dans la conduite.
- (3) Serrez l'écrou sur le côté opposé du panneau.
- (4) Passez le câble de connexion dans le trou.
- (5) Raccordez correctement le câble à la boîte à bornes.
- (6) Serrez le câble de connexion avec un serre-câble fourni avec l'unité. détacher de la borne s'il est soumis à une charge de 16 kg (35 lb).

⚠ AVERTISSEMENT

Des fils lâches peuvent provoquer une surchauffe de la borne ou un mauvais fonctionnement de l'appareil. Il y a également des risques d'incendie. Ainsi, assurez-vous que tout le câblage est solidement raccordé.

Lors de la connexion de chaque câble d'alimentation à la borne correspondante, suivez les instructions «Comment raccorder les câbles aux bornes» et serrez fortement les câbles avec la vis de fixation de la plaque à bornes.

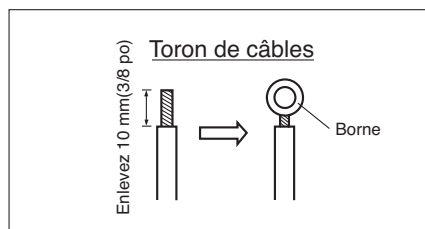


Cordon d'alimentation

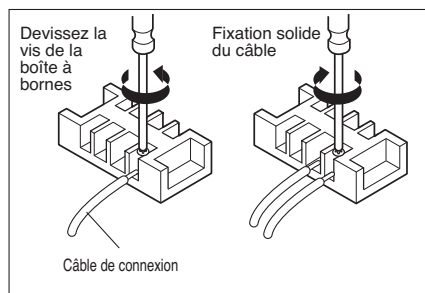
Comment raccorder les câbles aux bornes

⇒ Pour le toron de câbles

- (1) Coupez le bout du câble avec un coupe-câbles ou des pinces coupe-câbles. Puis, enlevez environ 10mm (3/8") du matériel isolant pour exposer le toron de câbles.
- (2) À l'aide d'un tournevis, retirez le(s) vis des bornes de la plaque à bornes.
- (3) À l'aide des pinces ou d'une clé à bornes, fixez solidement chaque bout du câble du toron à une borne.
- (4) Revissez les vis de la borne à l'aide d'un tournevis.



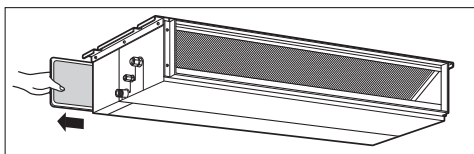
Câble de connexion



Vérification du drainage, isolation de la tuyauterie et applications particulières

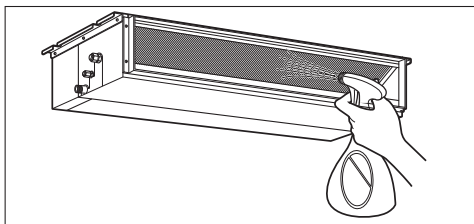
Vérification du drainage (système d'écoulement)

1. Enlevez le filtre à air.



2. Vérifiez le drainage.

- Vaporisez l'équivalent d'un ou deux verres d'eau sur l'évaporateur.
- Assurez-vous que l'eau coule dans le tuyau de drainage sans fuites.



* L'illustration peut différer d'un modèle à l'autre.

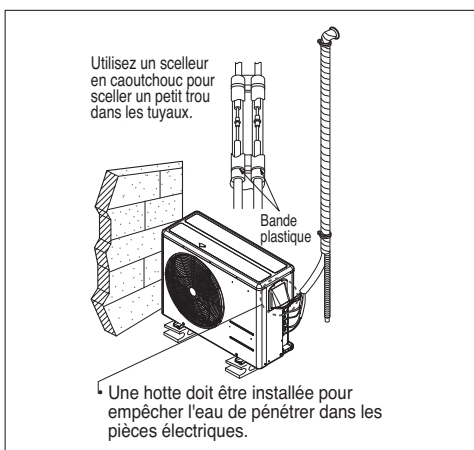
Isolation de la tuyauterie et applications particulières

Isoler la tuyauterie en enveloppant la partie de la connexion de l'unité intérieure avec du matériel isolant et retenir-le avec deux types de ruban en vinyle.

- Si vous voulez raccorder un raccord de drainage supplémentaire, le bout de la sortie de drainage doit être acheminé au-dessus du niveau du sol. Si vous souhaitez installer les fils d'être relié la salle Conduit.

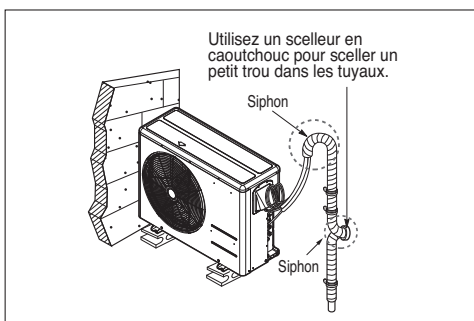
Si l'unité extérieure est installée au-dessous du niveau de l'unité intérieure, procédez comme suit :

1. Enveloppez de ruban adhésif la tuyauterie, le raccord de drainage et le câble de connexion du bas vers le haut.
2. Fixez ces éléments le long du mur extérieur avec des brides ou l'équivalent.



Si l'unité extérieure est installée au-dessus du niveau de l'unité intérieure, procédez comme suit :

1. Enveloppez de ruban adhésif la tuyauterie et le câble de connexion du bas vers le haut.
2. Fixez ces éléments le long du mur extérieur. Formez un siphon pour éviter que de l'eau pénètre dans la pièce.
3. Fixez la tuyauterie au mur à l'aide de brides ou l'équivalent.



Purge et évacuation d'air

L'air et l'humidité emprisonnés dans le système réfrigérant ont des effets négatifs, comme indiqué ci-dessous.

1. La pression du système augmente.
2. Le courant de fonctionnement augmente.
3. L'efficacité de refroidissement (ou de chauffage) est réduite.
4. L'humidité dans le circuit de réfrigération peut geler et bloquer la tuyauterie.
5. De l'eau peut faire rouiller les pièces du système de réfrigération.

Par conséquent, l'unité intérieure/extérieure et le tuyau de connexion doivent être pour déceler les fuites et vidés pour enlever le gaz non condensable et l'humidité du système.

Vérification des fuites

Préparation

- Vérifiez que chaque tuyau (tuyaux à liquide et à gaz) entre les unités intérieure et extérieure a été raccordé correctement et que tout le câblage pour l'essai de fonctionnement a été complété. Enlevez les embouchures des vannes de service à gaz et à liquide de l'unité extérieure. Assurez-vous que les vannes de service à gaz et à liquide de l'unité extérieure restent fermées durant cette étape.

Essai d'étanchéité

- Raccordez la vanne du collecteur (avec les indicateurs de pression) et le cylindre d'azote sec à ce port de service avec les raccords de charge.

⚠ MISE EN GARDE

Assurez-vous d'utiliser une vanne de collecteur pour réaliser l'essai d'étanchéité. La vanne du collecteur de la partie supérieure doit toujours rester fermée.

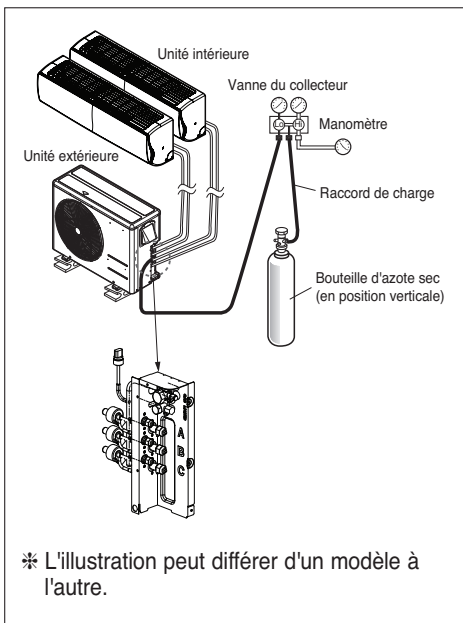
- Sans dépasser 550 P.S.I.G., pressurisez le système avec l'azote sec et fermez la vanne du cylindre lorsque la lecture de l'indicateur atteint 550 P.S.I.G. Ensuite, vérifiez s'il y a des fuites avec de l'eau savonneuse.

⚠ MISE EN GARDE

Afin d'éviter que l'azote s'infilte dans le système de réfrigération à l'état liquide, le dessus du cylindre doit être plus haut que sa base lorsque vous pressurisez le système. Habituellement, le cylindre est utilisé dans une position verticale.

REMARQUE : L'essai d'étanchéité doit être réalisé individuellement pour chaque ensemble de raccords de l'unité intérieure.

1. Réalisez un essai d'étanchéité de tous les joints de la tuyauterie (intérieure et extérieure) et des vannes de service à gaz et à liquide. La présence de bulles indique une fuite. Assurez-vous d'essuyer le savon avec un chiffon propre.
2. Si le système est étanche, détendez la pression de l'azote en desserrant le raccord de charge du cylindre d'azote. Une fois la pression du système revenue au niveau normal, débranchez le raccord du cylindre.



Évacuation

1. Raccordez l'extrémité du raccord de charge, décrit précédemment, à la pompe à vide pour vidanger la tuyauterie et l'unité intérieure. Assurez-vous que la poignée « Lo » de la vanne du collecteur est ouverte, puis, mettez en marche la pompe à vide. La durée de la vidange varie selon la longueur de la tuyauterie et la capacité de la pompe. Le tableau ci-dessous indique les temps de vidange.

Temps requis pour la vidange lorsque la pompe à vide est utilisée à 30 gal/h	
Si la longueur du tuyau est inférieure à 10 m (33 pieds)	Si la longueur du tuyau est supérieure à 10 m (33 pieds)
Moins de 0.5 torr	Moins de 0.5 torr

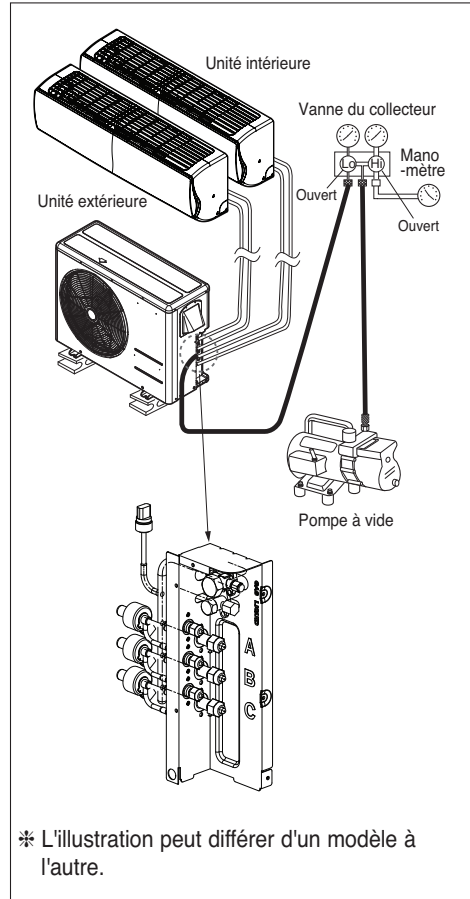
2. Une fois la vidange terminée, fermez la poignée « Lo » de la vanne du collecteur et arrêtez la pompe à vide.

Pour finir le travail

1. À l'aide d'une clé pour la vanne de service, tournez la tige de la vanne à liquide vers la gauche pour ouvrir complètement la vanne.
2. Tournez la tige de la vanne à gaz vers la gauche pour ouvrir complètement la vanne.
3. Desserrez légèrement le raccord de charge raccordé au port de service à gaz pour détendre la pression, puis, enlevez le raccord.
4. Remplacez l'écrou évasé et son capuchon sur le port de service à gaz et serrez fortement l'écrou évasé avec une clé de serrage. Cette procédure est très importante pour éviter les fuites du système.
5. Remplacez les bouchons des vannes de service à gaz et à liquide et serrez-les fortement.

Cela complète la purge d'air avec une pompe à vide. Le climatiseur est maintenant prêt pour l'essai de fonctionnement.

REMARQUE : Répétez la procédure de vidange pour chaque unité intérieure.



Charge

■ Si la longueur totale des canalisations installées est supérieure à la longueur totale standard, une charge de fluide frigorigène supplémentaire est nécessaire.

Si elle est inférieure à la longueur totale standard, une charge de fluide frigorigène supplémentaire n'est pas nécessaire.

Modèles multituyaux

Unité : m(ft)

Capacité de l'unité intérieure (BTU/h)	Longueur totale maximale de tous les tuyaux(A+B)/ (A+B+C)/ (A+B+C+D)	Longueur maximale de chaque tuyau (A/B/C/D)	Longueur minimale de chaque tuyau (A/B/C/D)	Réfrigérant supplémentaire unité : g/m(oz/pi)	Longueur totale standard des canalisations (Pas de fluide frigorigène supplémentaire)
18 k	50(164)	25(82)	3(9.8)	20(0.22)	30(98.4)
24 k	70(230)	25(82)	3(9.8)	20(0.22)	30(98.4)
30 k	75(246)	25(82)	3(9.8)	20(0.22)	30(98.4)
36 k	75(246)	25(82)	3(9.8)	20(0.22)	30(98.4)

Modèle de type distribution

Unité : m(pi)

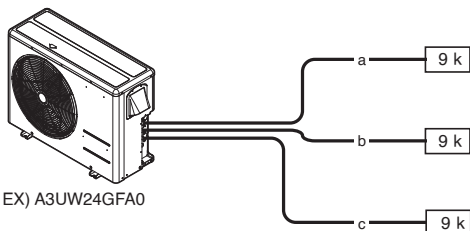
Capacité de l'unité extérieure (BTU/h)	Longueur de la tuyauterie principale			Longueur de la tuyauterie de dérivation	
	Longueur standard	Sans charge	Réfrigérant supplémentaire unité : g/m(oz/pi)	Longueur standard	Réfrigérant supplémentaire unité : g/m(oz/pi)
48 k	5(16.4)	5(16.4)	50(0.54)	5(16.4)	20(0.22)
54 k	5(16.4)	5(16.4)	50(0.54)	5(16.4)	20(0.22)
60 k	5(16.4)	15(49.2)	50(0.54)	5(16.4)	20(0.22)

Important :

En cas de doute quant à la capacité de charge de l'unité, vidangez, récupérez et pesez la charge correcte conformément à la quantité indiquée sur la fiche signalétique de l'unité.

Modèles multituyaux

Charge supplémentaire (oz) = (Longueur totale des canalisations installées - longueur totale standard des canalisations) x 0.22



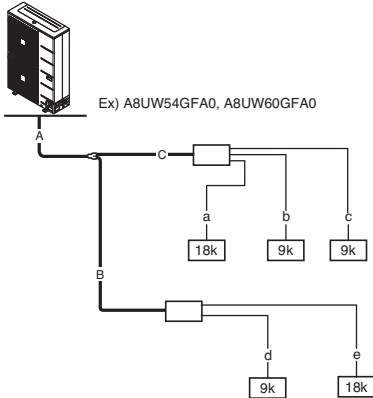
Chaque tuyau de dérivation
 a = 82 pi
 b = 16 pi
 c = 49 pi

Charge supplémentaire
 = {(82+16+49)-74} x 0.22 = 16.06 oz

Modèle de type distribution

Charge supplémentaire (oz) = ((longueur totale de la tuyauterie principale – longueur standard principale) x 0.55
 + (longueur dérivation de la pièce A – longueur standard) x 0.22
 + (longueur dérivation de la pièce B – longueur standard) x 0.22
 + (longueur dérivation de la pièce C – longueur standard) x 0.22 + ..)
 – FC (facteur de correction) x 3.53

※ FC = nombre maximal d'unités intérieures raccordables – nombre total d'unités intérieures raccordées.



- Longueur totale de la tuyauterie principale (A+B+C)= 98 pi
- Longueur de chacun des tuyaux de raccordement
 a=33 pi
 b=26 pi
 c=16.4 pi
 d=10 pi
 e=33 pi

❖ ACharge supplémentaire
 = ((98-16.4)×0.55 + (33-16.4)×0.22
 + (26-16.4)×0.22 + (16.4-16.4)×0.22
 + (10-16.4)×0.22 + (33-16.4)×0.22)
 - (8-5)×3.53 = 42.3 oz

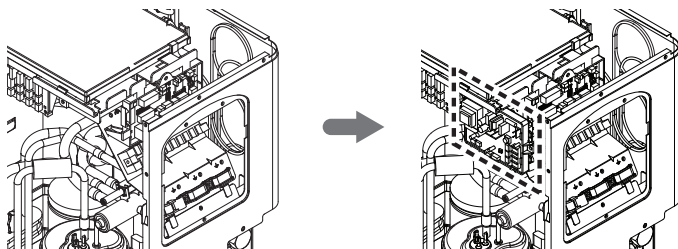
※ Une fois le calcul effectué, s'il s'avère que la valeur de la charge supplémentaire totale est négative, alors n'ajoutez pas une charge supplémentaire.

Installation PI485

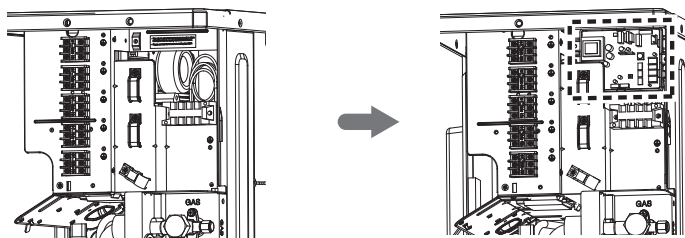
Fixez la carte de circuit imprimé PI 485 comme indiqué dans les figures ci-dessous.

Pour plus d'informations sur l'installation de la PI485, consultez le guide d'installation spécifique.

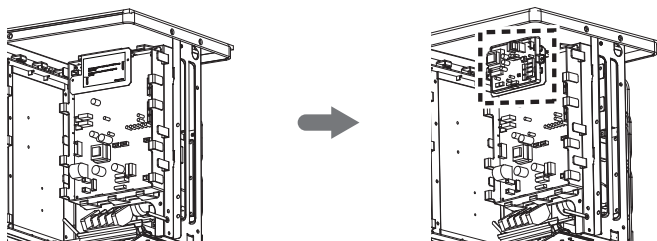
18 kBTU/h, 24 kBTU/h



30 kBTU/h, 36 kBTU/h



48 kBTU/h, 54 kBTU/h



60 kBTU/h

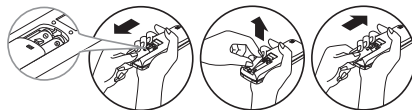


Essai

- Vérifiez que tous les tuyaux et les câbles ont été correctement connectés.
- Vérifiez que les vannes de service de gaz et de liquide sont complètement ouvertes.

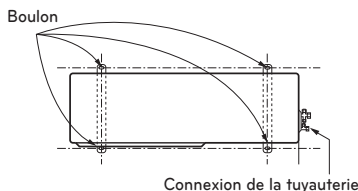
Préparez la télécommande

Enlevez le couvercle du compartiment des piles en le glissant dans le sens de la flèche. Insérez des piles neuves, en respectant la polarité (+) et (-). Remettez le couvercle à sa place en le glissant dans sa position initiale.



REMARQUE :

- Utilisez deux piles AAA (1.5 volt). N'employez pas de piles rechargeables.
- Enlevez les piles de la télécommande si le système demeure inutilisé sur une période prolongée.



Évaluation du rendement

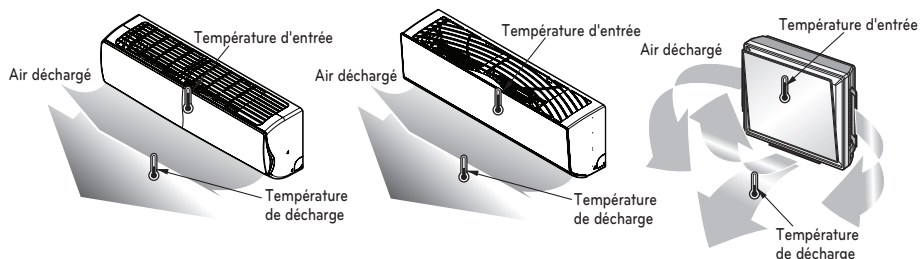
Faites fonctionner l'unité de 15 à 20 minutes, puis vérifiez la charge frigorifique du système:

- Mesurez la pression de la vanne de service de gaz.
- Mesurez la température de l'air aspiré et celle de l'air extrait.
- Assurez-vous que la différence entre ces températures est supérieure à 8 °C.
- En guise de référence, la pression optimale de la vanne de service de gaz est indiquée ci-dessous (refroidissement).

Frigorigène	TEMP. ambiante extérieure	La pression de la vanne de service du côté gaz.
R410A	35 °C (95 °F)	8.5~9.5 kg/cm ² G (120~135 P.S.I.G.)

REMARQUE :

Si la pression réelle est plus élevée que celle indiquée ci-dessus, le système a probablement un excès de fluide et il faut libérer un peu de charge. Si la pression réelle est moins élevée que celle indiquée ci-dessus, le système manque probablement de fluide et il faut en ajouter. Le climatiseur est maintenant prêt à être utilisé.



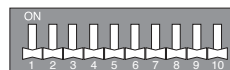
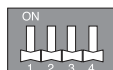
Fonction

Réglage commutateur DIP

Si vous réglez le commutateur DIP alors que l'unité est en marche, le réglage ne sera pas immédiatement actif. Le changement du réglage ne devient actif que lorsque le mode Marche est réinitialisé.

18/24/30/36/48/54 k

60 k



Commutateur DIP	Fonction				
	1	2	3	4	
					Fonctionnement Normal (aucune fonction)
					Fonctionnement du refroidissement forcé
					Contrôle Erreurs de câblage
					Économie d'énergie (Étape 1)
					Économie d'énergie (Étape 2)
					Mode verrouillé (Refroidissement)
					Mode verrouillé (Chauffage)
					Mode silencieux de nuit (Étape 1)
					Mode silencieux de nuit (Étape 2)
					Mode verrouillé (Refroidissement) + Mode silencieux de nuit (Étape 1)
					Mode verrouillé (Refroidissement) + Mode silencieux de nuit (Étape 2)
					Mode verrouillé (Refroidissement) + Économie d'énergie (Étape 1)
					Mode verrouillé (Refroidissement) + Économie d'énergie (Étape 2)
					Mode verrouillé (Chauffage) + Économie d'énergie (Étape 1)
					Mode verrouillé (Chauffage) + Économie d'énergie (Étape 2)

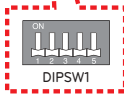
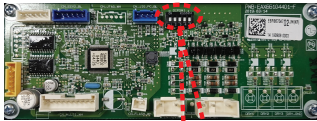
⚠ AVERTISSEMENT

Lors du réglage du commutateur DIP, vous devez éteindre le disjoncteur ou couper la source d'alimentation en énergie du produit.

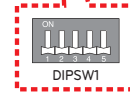
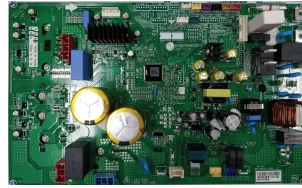
⚠ MISE EN GARDE

- Tant que le commutateur DIP approprié n'est pas réglé convenablement, le produit pourrait ne pas fonctionner.
- Si vous souhaitez régler une fonction spécifique, demandez à l'installateur de régler le commutateur DIP convenablement lors de l'installation.

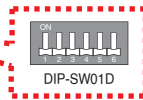
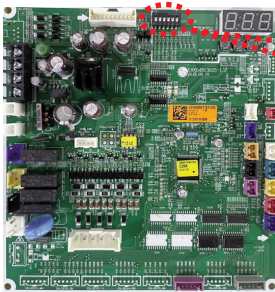
18/24(1Ø) kBtu/h



30/36(1Ø) kBtu/h



48/54/60(1Ø) kBtu/h

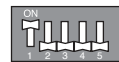


Fonctionnement du refroidissement forcé

Ajout de réfrigérant en hiver.

Procédure de réglage

1. Réglez le commutateur comme suit, après avoir coupé l'alimentation.
2. Restaurez l'alimentation.
3. Vérifiez que le voyant DEL rouge de la carte de circuit imprimé est allumé lors du travail. (L'unité intérieure fonctionne en mode forcé.)
4. Ajoutez la quantité précise de réfrigérant.

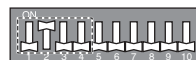


⚠ MISE EN GARDE

- Lorsque le voyant DEL vert de la carte de circuit imprimé est allumé, c'est que le compresseur est sur le point de s'éteindre suite à la faible pression.
- Vous devez remettre le commutateur DIP en mode de fonctionnement normal lorsque que vous avez fini le travail.

Vérification des erreurs de câblage

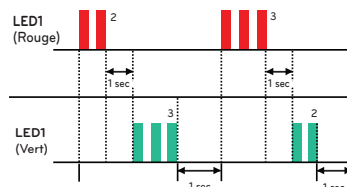
Vous pouvez vérifier si le câblage fonctionne correctement ou pas.



Procédure de réglage

1. Réglez le commutateur DIP comme suit, après avoir coupé l'alimentation.
2. Restaurez l'alimentation.
3. Vérifiez que les voyants DEL rouge et vert de la carte de circuit imprimé sont allumés lors du travail. (L'unité intérieure fonctionne en mode forcé.)
4. Si le câblage est correct, le voyant DEL vert s'allumera; sinon, l'affichage se fait comme suit : (Affiche uniquement la connexion défectueuse.)

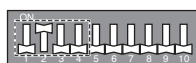
- Voyant DEL rouge : Numéro du tuyau
- Voyant DEL vert : Numéro du câble (Pièce)



Exemple :

Si le voyant DEL rouge clignote deux fois et le voyant DEL vert clignote 3 fois, c'est que le 2e tuyau est connecté à la 3e pièce.

5. Vous devez remettre le Commutateur DIP en mode de fonctionnement normal à la fin de la vérification des erreurs de câblage.

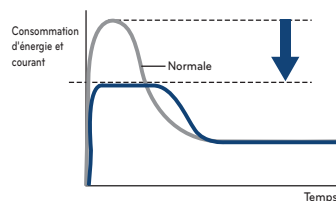


⚠ MISE EN GARDE

- Si l'unité intérieure ne communique pas avec l'unité extérieure, la fonction ne peut pas être exécutée correctement.
- Seule la connexion de câble défectueuse s'affiche. Vous devez changer correctement la connexion pour faire fonctionner le produit.
- Si la température extérieure et intérieure est trop basse en hiver, la fonction de vérification des erreurs de câblage ne s'exécutera pas. (Le voyant DEL rouge est allumé)

Économie d'énergie

Le mode Économie d'énergie est la fonction qui permet un fonctionnement efficace en diminuant la valeur de consommation d'énergie maximale.



Procédure de réglage

1. Réglez le commutateur DIP comme suit, après avoir coupé l'alimentation.
2. Restaurez l'alimentation.



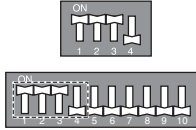
Étape 1

Étape 2

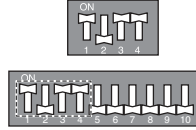
Niveau du courant en mode Économie d'énergie

Phase	1Ø		
Modèle	18/24 k	30/36 k	48/54 k
Étape 1(A)	9	13	26
Étape 2(A)	8	11	22

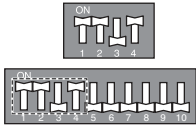
Économie d'énergie en Mode verrouillé



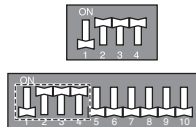
Mode Économie d'énergie
(étape 1) + Mode verrouillé
(Refroidissement)



Mode Économie d'énergie
(étape 1) + Mode verrouillé
(Chauffage)



Mode Économie d'énergie
(étape 2) + Mode ver-
rouillé (Refroidissement)



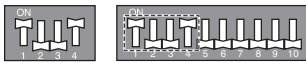
Mode Économie d'énergie
(étape 2) + Mode verrouillé
(Chauffage)

Mode silencieux de nuit

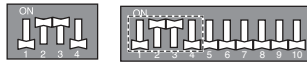
Le mode silencieux de nuit atténue le bruit de l'unité extérieure en changeant la fréquence du compresseur et la vitesse du ventilateur. Cette fonction s'exécute toute.

Procédure de réglage

1. Réglez le commutateur DIP comme suit, après avoir coupé l'alimentation.



Étape 1

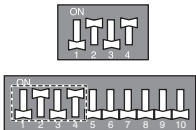


Étape 2

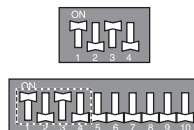
* Niveau de bruit :
Étape 1 > Étape 2

2. Restaurez l'alimentation.

Mode silencieux de nuit avec Mode verrouillé.



Mode verrouillé (Refroi-
dissement) + Mode silen-
cieux de nuit (Étape 1)



Mode verrouillé (Refroi-
dissement) + Mode silen-
cieux de nuit (Étape 2)

⚠ MISE EN GARDE

- Si la fréquence du compresseur et la vitesse du ventilateur sont faibles, la capacité de refroidissement peut décroître en conséquence.
- Cette fonction est uniquement disponible pour le Mode refroidissement.
- Si vous souhaitez arrêter le Mode silencieux de nuit, changez le réglage du commutateur DIP.
- Si le fonctionnement de l'unité intérieure est réglé par la fonction de vitesse du ventilateur « Power », le Mode silencieux de nuit sera en arrêt jusqu'à ce que la fonction de vitesse du ventilateur « Power » soit changée.

Mode verrouillé

Procédure de réglage

1. Réglez le commutateur DIP comme suit, après avoir coupé l'alimentation.



Mode refroidissement
seulement



Mode chauffage
seulement

2. Restaurez l'alimentation.

Mode verrouillé avec Mode silencieux de nuit



Mode verrouillé
(Refroidissement)+
Mode silencieux de
nuit (Étape 1)



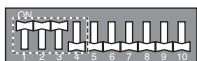
Mode verrouillé (Refroidisse-
ment)+Mode silencieux de
nuit (Étape 2)



Mode Économie d'énergie avec Mode verrouillé.



Mode verrouillé (Refroidisse-
ment)+Mode Économie
d'énergie
(Étape 1)



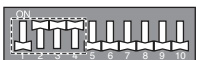
Mode verrouillé ()+Mode
Économie d'énergie
(Étape 1)



Mode verrouillé
(Refroidissement)+Mode
Économie d'énergie
(Étape 2)



Mode verrouillé ()+Mode Éco-
nomie d'énergie
(Étape 2)



Affichage de la CCI

Il est utile de vérifier le cycle des données sans LGMV.

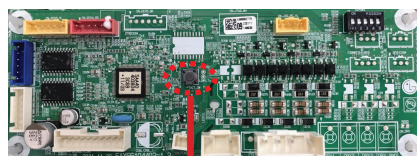
Méthode de fonctionnement

Chaque fois que vous poussez la touche Contact, les données du cycle sont montrées comme suit.

* Après l'affichage d'une page, deux autres pages s'affichent.

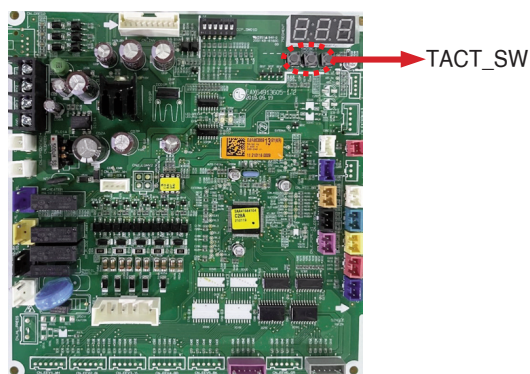
Touche Contact	Élément	Affichage		
		Exemple	1 page	2 page
1 fois	Basse pression	890 kpa	'LP'	'89'
2 fois	Haute pression	2 900 kpa	'HP'	'290'
3 fois	Température d'évacuation	85 °C	'DS'	'85'
4 fois	Temp. extérieure cond.	-10 °C	'CS'	'-10'
5 fois	Température d'aspiration	-10 °C	'SS'	'-10'
6 fois	Température de l'air ODU	-10 °C	'AS'	'-10'
7 fois	Courant	15 A	'A'	'15'
8 fois	Tension	230 V	'V'	'230'
9 fois	Comp Hz	100 Hz	'F'	'100'
10 fois	Liaison à courant continu	230 V	'dc'	'230'

18/24/30/36(1Ø) kBtu/h



TACT_SW

48/54/60(1Ø) kBtu/h



TACT_SW

⚠ AVERTISSEMENT

Pour appuyer sur la touche Contact, utilisez un matériel non conducteur d'électricité.

Capacité de combinaison maximale

Type multityau

Capacité en (kBTU/h)	Nb max. de pièces	Capacité intérieure combinée (kBTU/h)	Capacité combinée maximale (kBTU/h)
18	2	7,9,12,15	24
24	3	7,9,12,15,18,24	33
30	4	7,9,12,15,18,24	40
36	4	7,9,12,15,18,24	48

Type distribution

Phase	Capacité (kBTU/h)	Nb max. de pièces	Capacité intérieure combinée (kBTU/h)	Capacité combinée maximale (kBTU/h)
1Ø	48	8	7,9,12,15,18,24,36	65
1Ø	54	8	7,9,12,15,18,24,36	73
1Ø	60	8	7,9,12,15,18,24,36	83

La capacité de chaque unité intérieure doit être choisie de manière à ce que la somme des capacités des unités intérieures soit inférieure à la capacité combinée maximale de l'unité extérieure. Nous recommandons de calculer la capacité des unités intérieures en utilisant la méthode décrite ci-dessous.

Si vous ne suivez pas nos recommandations, le système risque de ne pas fonctionner correctement lorsque la température ambiante est basse. Ainsi, certaines unités intérieures pourraient ne pas chauffer de manière satisfaisante en mode chauffage.

MÉTHODE DE CALCUL DE LA CAPACITÉ TOTALE DES UNITÉS INTÉRIEURES RACCORDÉES

Résumer la capacité de tous l'unité intérieure, mais statique élevée Type de conduite poids de la capacité de l'unité intérieure 1.3 fois où multiplicateur est moins seulement eu / VAHU sont connectés

Exemple) 1. Unité extérieure : A8UW54GFA0(LMU540HV)(capacité maximale 73 kBTU/h)

Unités intérieures :

AMNW24GBGA0[LMHN240HV], AMNW36GBGA0[LMHN360HV]

$(24+36) \times 1.2 = 60 \times 1.2 = 72$ kBTU/h : Cette combinaison est acceptable.

2. Unité extérieure: A8UW54GFA0(LMU540HV)

Unités intérieures:

AMNW24GBGA0[LMHN240HV], AMNW24GBGA0[LMHN240HV], LMN078HVT

$[(24+24) \times 1.2] + 7 = [48 \times 1.2] + 7 = 69.4$ kBTU/h : Cette combinaison est acceptable.

3. Unité extérieure : A8UW54GFA0(LMU540HV)(capacité maximale 73 kBTU/h)

Unités intérieures :

AMNW24GBGA0[LMHN240HV], AMNW36GBGA0[LMHN360HV]

$(24+36) \times 1.2 = 60 \times 1.2 = 72$ kBTU/h : Cette combinaison n'est pas satisfaisante.

MANUAL DE INSTALACIÓN

AIRE

ACONDICIONADO

Por favor, lea completamente este manual antes de instalar el producto.
El trabajo de instalación debe realizarse conforme a los estándares de cableado nacionales por el personal autorizado.
Una vez haya leído el manual atentamente, guárdelo para futuras referencias.

Varios Tipo

INSTRUCCIONES DE INSTALACIÓN DE FLEX CON MÚLTIPLES DIVISIONES

¡IMPORTANTE!

Lea completamente este manual de instrucciones antes de instalar el producto.

Este sistema acondicionador de aire cumple estrictamente las normas de funcionamiento y seguridad. Como instalador o persona de mantenimiento, una parte importante de su trabajo es instalar o realizar el mantenimiento del sistema de modo que funcione de modo eficiente y seguro.

⚠ ADVERTENCIA

- La instalación o reparaciones realizadas por personas no cualificadas pueden poner en riesgo a las personas. La instalación DEBE cumplir los códigos locales de construcción o, en ausencia de códigos locales, el Código Eléctrico Nacional NFPA 70/ANSI C1-1993 o la edición actual y el Código Eléctrico de Canadá Parte 1 CSA C.22.1.
- La información contenida en el manual está pensada para ser utilizada por un técnico cualificado familiarizado con los procedimientos de seguridad y equipado con las herramientas e instrumentos de comprobación adecuados.
- No encienda el interruptor o el poder bajo la condición de que el panel frontal, el gabinete, la cubierta superior, cubierta de la caja de control son retirado o abierto. De lo contrario, podría provocar un incendio, descargas eléctricas, explosión o muerte.

PRECAUCIÓN: La instalación, ajuste, modificación, reparación o mantenimiento inadecuados pueden anular la garantía.

Dado el peso de la unidad condensadora se requiere precaución y la utilización de procedimientos de manejo adecuados al levantarla o desplazarla para evitar lesiones personales. Evite el contacto con los bordes afilados o puntiagudos.

Precauciones de seguridad

- Utilice siempre material de protección para los ojos y guantes de trabajo para instalar el equipo.
- Nunca dé por hecho que el suministro eléctrico está desconectado. Compruébelo con el medidor y el equipamiento.
- Mantenga las manos alejadas de las zonas de ventiladores cuando la alimentación esté conectada al equipo.
- R410A produce quemaduras por congelación.
- R410A es tóxico cuando se quema.

NOTA PARA EL INSTALADOR:

El manual de instrucciones y la garantía deben entregarse al propietario o quedar expuestos a la vista cerca de la unidad interior de ventilación/calefacción.

⚠ ADVERTENCIAS ESPECIALES

Al realizar la conexión:

Una descarga eléctrica puede producir graves lesiones personales o muerte. Sólo debe realizar la conexión de este sistema un electricista cualificado y experimentado.

- No suministre energía a la unidad hasta que se hayan completado o reconectado y comprobado todas las conexiones y tuberías.
- Este sistema utiliza voltajes eléctricos altamente peligrosos. Consulte atentamente el esquema de cableado y estas instrucciones cuando realice las conexiones. Una conexión incorrecta y una puesta a tierra inadecuada pueden ocasionar lesiones por accidente o muerte.
- Ponga a tierra la unidad siguiendo los códigos eléctricos locales.
- Apriete fuertemente todas las conexiones. Los cables flojos pueden causar un sobrecalentamiento en los puntos de conexión y un posible peligro de incendio.

Al realizar el transporte:

Tenga cuidado al recoger y desplazar las unidades interior y exterior. Es necesario la ayuda de otra persona y doblar las rodillas al levantar la unidad para reducir la tensión en su espalda. Los bordes afilados o las aletas de aluminio delgado del acondicionador de aire pueden producir cortes en los dedos.

Al realizar la instalación...

... en una pared: Asegúrese de que la pared es lo suficientemente resistente como para soportar el peso de la unidad.

Puede que sea necesario construir un bastidor de metal o madera resistente para proporcionar más apoyo.

... en una habitación: Aísle adecuadamente cualquier tubería situada en el interior de una habitación para evitar la "condensación" que puede producir goteo y daños en pared y suelo.

... en emplazamientos húmedos o no uniformes: Utilice una base de hormigón elevada o bloques de hormigón para proporcionar una base sólida y nivelada para la unidad exterior. Esto evita los daños por agua y las vibraciones anormales.

... en áreas con fuertes vientos: Ancle firmemente la unidad exterior con pernos y un bastidor metálico. Instale un deflector de aire adecuado.

... en áreas con nieve (para el modelo de bomba de calor): Instale la unidad exterior sobre una plataforma elevada a un nivel más alto que el de la nieve. Instale rejillas para la nieve.

Al conectar las tuberías de refrigerante

- Mantenga la longitud de todas las tuberías lo más corta posible.
- Utilice el método de abocinado para conectar las tuberías.
- Compruebe con cuidado las fugas antes de realizar la prueba de funcionamiento.

Al realizar el mantenimiento

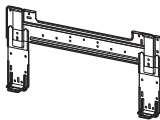
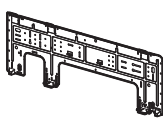
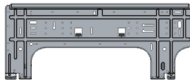
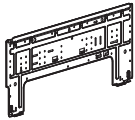














- Desconecte la alimentación en el cuadro principal (red) antes de abrir la unidad para comprobar o reparar piezas eléctricas y el cableado.
- Mantenga alejados los dedos y la ropa de las piezas móviles.
- Limpie la zona antes de finalizar el mantenimiento, recordando comprobar que no quedan en el interior de la unidad residuos metálicos o trozos de cableado.

ÍNDICE






4	PIEZAS DE INSTALACIÓN SUMINISTRADAS
5	INSTRUCCIONES DE SEGURIDAD
8	INSTALACIÓN DE LA UNIDAD INTERIOR, UNIDAD EXTERIOR
8	Selección de la mejor ubicación
10	Guía de instalación junto al mar
11	Precauciones Invernales, Especiales Para El Viento Estacional
12	Longitud de la tubería y elevación
14	INSTALACIÓN
14	Conexión de conductos
18	Cómo fijar
19	Conexión de los cables entre las unidades interior
19	Conexión del conducto
20	Dimensiones de abertura del techo y ubicación del perno de suspensión
21	Cómo fijar
21	Conexión de los cables entre las unidades interior
21	Conexión del conducto
22	Instalación del mando a distancia (Opcional)
24	Instalación del Panel Decorativo
26	Tuberías de drenaje
29	TRABAJO DE ABOCINADO Y CONEXIÓN DE LAS TUBERÍAS
29	Trabajo de abocinado
30	Conexión de la canalización - Exterior
33	Instalación
34	Instalación de la unidad principal
35	CONEXIÓN DEL CABLE ENTRE LAS UNIDADES INTERIOR, DISTRIBUIDOR Y EXTERIOR
35	Conecte el cable a la unidad interior
36	Conecte el cable a la unidad Distribuidor
38	Conecte el cable a la unidad exterior
40	Método de conexión del cable de conexión (Ejemplo)
41	COMPROBACIÓN DEL DRENAJE, FORMACIÓN DE TUBERÍAS Y AJUSTE DE LA TUBERÍA LARGA
41	Comprobación del drenaje
41	Formación de las tuberías
42	PURGA DE AIRE Y EVACUACIÓN
42	Método de comprobación
43	Evacuación
44	CARGA
46	INSTALACIÓN DEL PI485
47	COMPROBACIÓN
48	FUNCIÓN
48	Configuración del interruptor DIP
49	Funcionamiento en modo refrigeración forzada
50	Comprobación de un error de cableado
50	Ahorro de energía
51	Modo noche
52	Bloqueo de modo
53	Visualización PCB (Solo modelo 18/24/60 k)
54	CAPACIDAD DE COMBINACIÓN MÁXIMA

Piezas de instalación suministradas

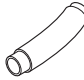






[Montaje en pared / Ventana ART COOL]

Tipo 1	Tipo 2	Tipo 3		Tipo 4
Placa de instalación	Placa de instalación	Placa de instalación		Placa de instalación
				
Tornillo tipo "B"	Tornillo tipo "B"	Tornillo tipo "B"	Tornillo tipo "C"	Tornillo tipo "B" Tornillo tipo "C"
				 
Tornillo tipo "A"	Tornillo tipo "A"	Tornillo tipo "A"		Tornillo tipo "A"
				
Soporte del control remoto	Soporte del control remoto	Soporte del control remoto		Soporte del control remoto
				

[Tipo Conducto oculto en el techo]

Nombre	Abrazadera	Aislamiento para la guarnición	Tornillos para los rebordes del conducto	Cinta plástica	Placa de montaje del conducto
Cantidad	1 ud.	1 set	1 set	8 ud.	1 ud.
Forma		 Lado del gas Lado del liquido			 Placa de montaje del conducto Tornillo (M4) 2 ud.


[Aire acondicionado de Tipo Cassete]

Nombre	Manguera de drenaje	Abrazadera	Arandela	Cinta plástica	Placa de montaje del conducto	Aislamiento para la guarnición	Soporte del mando a distancia
Cantidad	1 ud.	1 ud.	8 ud.	8 ud.	1 ud.	1 SET	1 ud.
Forma					 Placa de montaje del conducto Tornillo (M4) 2 ud.	 Lado del gas Lado del liquido	

Instrucciones de seguridad

Las siguientes pautas de seguridad sirven para evitar daños o riesgos imprevistos generados por una operación incorrecta del producto.

Las directrices se dividen entre "ADVERTENCIA" y "PRECAUCIÓN", tal como se describe a continuación.

 Este símbolo se muestra para indicar cuestiones y funcionamientos que pueden resultar riesgosos. Lea la sección con este símbolo atentamente y siga las instrucciones para evitar riesgos.

ADVERTENCIA

Esto indica que el incumplimiento de las instrucciones puede provocar lesiones graves o la muerte.

PRECAUCIÓN

Esto indica que el incumplimiento de las instrucciones puede provocar lesiones leves o daño al producto.

ADVERTENCIA

Instalación

- Realice siempre la conexión de la toma de tierra.
 - Si no lo hace, podría producirse una descarga eléctrica.
- No utilice un cable de alimentación, una clavija o un enchufe flojo que estén dañados.
 - Si lo hace, podría producirse un incendio o descarga eléctrica.
- Para la instalación del producto, póngase siempre en contacto con el centro de servicio técnico o con una empresa de instalaciones especializada.
 - De lo contrario, podría producirse un incendio, descarga eléctrica, explosión o daños.
- Ajuste firmemente la cubierta de la parte eléctrica en la unidad interior y el panel de servicio en la unidad exterior.
 - Si la cubierta de la parte eléctrica de la unidad interior y el panel de servicio de la unidad exterior no están ajustados firmemente, podría producirse un incendio o descarga eléctrica debido al polvo, agua, etc.
- Instale siempre un interruptor diferencial para el aire acondicionado y el cuadro de maniobra correspondiente.
 - Si no lo instala, podría producirse un incendio y una descarga eléctrica.
- No almacene ni utilice gases inflamables o combustibles cerca del aire acondicionado.
 - De lo contrario, podría producirse un incendio o una avería del aparato.
- Asegúrese de que el bastidor de instalación de la unidad exterior no está dañado debido a un uso prolongado.
 - Podría producir daños o un accidente.

- No desmonte ni modifique los productos sin causa justificada.
 - Podría producirse un incendio o una descarga eléctrica.
- No instale el aparato en un lugar donde pueda caerse.
 - De lo contrario, podrían producirse daños personales.
- Tenga cuidado cuando lo desembale e instale.
 - Los bordes afilados pueden producir daños.
- Utilice una bomba al vacío o gas inerte (nitrógeno) cuando proceda a pruebas de escape o purga de aire. No comprima ni el aire ni el oxígeno, ni utilice gases inflamables. En caso contrario, podría causar un incendio o una explosión.
 - Existe riesgo de muerte, lesión, incendio o explosión.

Operación

- No comparta el enchufe con otros aparatos.
 - Podría producirse una descarga eléctrica o incendio debido a la generación de calor.
- No utilice un cable de alimentación dañado.
 - Si lo hace, podría producirse un incendio o una descarga eléctrica.
- No modifique ni alargue el cable de alimentación sin causa justificada.
 - Si lo hace, podría producirse un incendio o una descarga eléctrica.
- Tenga cuidado de no estirar el cable de alimentación durante el funcionamiento.
 - Si lo hace, podría producirse un incendio o una descarga eléctrica.
- Desenchufe la unidad si emite un sonido extraño, olores o humo.
 - Si no lo hace, podría producirse una descarga eléctrica o un incendio.
- Manténgala alejada de llamas.
 - De lo contrario, podría producirse un incendio.
- Si es necesario desenchufar el cable de alimentación, hágalo sujetando la cabeza de la clavija y no lo toque con las manos húmedas.
 - De lo contrario, podría producirse un incendio o una descarga eléctrica.
- No utilice el cable de alimentación cerca de generadores de calor.
 - Si lo hace, podría producirse un incendio o una descarga eléctrica.
- No abra la entrada de aspiración de la unidad interior/exterior durante el funcionamiento.
 - Si lo hace, podría producirse una descarga eléctrica y una avería.
- No permita que entre agua en las partes eléctricas.
 - De lo contrario, podría producirse una avería en la unidad o una descarga eléctrica.
- Sujete la clavija por la cabeza cuando la saque.
 - Podría producirse una descarga eléctrica y daños.
- No toque nunca las partes metálicas de la unidad cuando retire el filtro.
 - Son afiladas y pueden producir lesiones.
- No se suba sobre la unidad interior/exterior ni coloque nada sobre ellas.
 - Podrían producirse daños debido al desplome o caída de la unidad.
- No coloque ningún objeto pesado sobre el cable de alimentación.
 - Si lo hace, podría producirse un incendio o una descarga eléctrica.
- Si el aparato se ha sumergido en agua, póngase siempre en contacto con el centro de servicio técnico.
 - De lo contrario, podría producirse un incendio o una descarga eléctrica.

- Vigile que los niños no se suban a la unidad exterior.
 - Si lo hacen, podrían resultar gravemente lesionados debido a una caída.

PRECAUCIÓN

Instalación

- Instale la manguera de drenaje para asegurar que el drenaje pueda realizarse correctamente.
 - De lo contrario, podrían producirse fugas de agua.
- Instale el aparato de modo que el ruido o el aire caliente procedente de la unidad exterior no cause molestias a los vecinos.
 - De lo contrario, podrían producirse disputas con los vecinos.
- Compruebe siempre si existen pérdidas de gas después de instalar o reparar la unidad.
 - Si no lo hace, podría producirse una avería en la unidad.
- Instale la unidad bien nivelada.
 - Si no lo hace, podrían producirse vibraciones o fugas de agua.
- No instale la unidad en ambientes potencialmente explosivos.

Operación

- Evite un enfriamiento excesivo y ventile frecuentemente.
 - De lo contrario, podría perjudicar su salud.
- Utilice un paño suave para limpiar la unidad. No utilice cera, disolvente ni un detergente fuerte.
 - Podría deteriorarse el aspecto del aire acondicionado, cambiar el color o producirse desperfectos en su superficie.
- No utilice el aparato para una finalidad especial como el acondicionamiento para animales o vegetales, máquinas de precisión o la conservación de artículos de arte.
 - Si lo hace, podrían producirse daños en sus propiedades.
- No coloque ningún obstáculo alrededor de las entradas o salidas de aire.
 - Si lo hace, podría producirse una avería en el aparato o un accidente.

Instalación de la unidad interior, unidad exterior

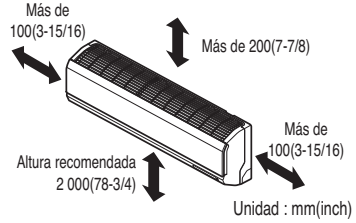
Lea completamente y, a continuación, sígalo paso a paso.

Selección de la mejor ubicación

Unidad interior

1. No coloque generadores de calor o vapor cerca de la unidad.
2. Seleccione un lugar donde no haya obstáculos frente a la unidad.
3. Asegúrese de que el drenaje de condensación pueda conducirse convenientemente.
4. No instale la unidad cerca de una puerta.
5. Mantenga los espacios indicados por las flechas a la pared, techo, valla u otros obstáculos.
6. Utilice un localizador de pernos para localizarlos y evitar daños innecesarios a la pared.

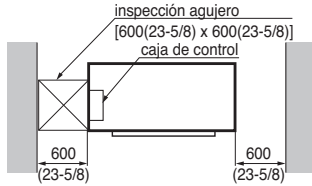
[Montaje en pared / Ventana ART COOL]



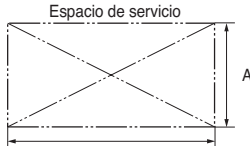
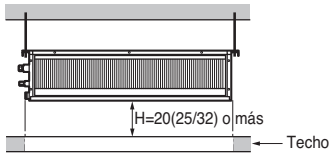
※ Nota : eliminar obstrucciones para evitar el bloqueo de la trayectoria de flujo de aire.

[Tipo Conducto oculto en el techo]

Vista superior



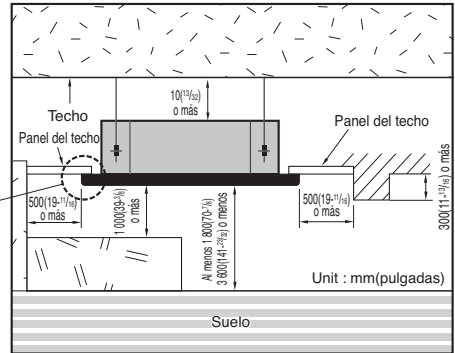
Vista frontal



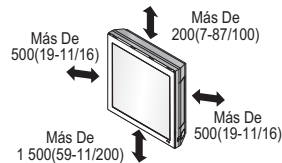
* Es necesario contra con la dimensión "H" adecuada para lograr una pendiente de drenare como muestra la figura.

Capacidad (Btu/h clase)	A	B
9/12 k	600(23-5/8)	900(35-7/16)
18 k	600(23-5/8)	1 100(43-5/16)

[Aire acondicionado de Tipo Cassete]

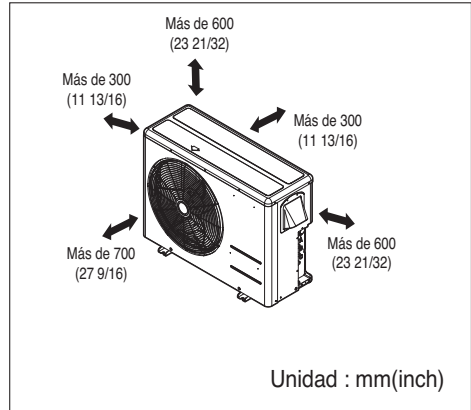


[tipo Artcool]



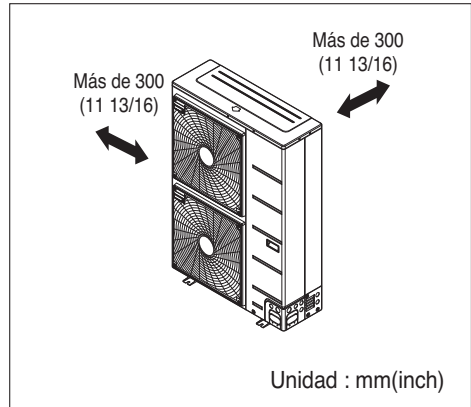
Unidad exterior

1. Si hay un toldo sobre la unidad para evitar la exposición a la luz solar directa o a la lluvia, asegúrese de que no restringe la radiación de calor del condensador.
2. Mantenga los espacios indicados por las flechas en la parte frontal, posterior y lateral de la unidad.
3. No coloque animales ni plantas expuestos directamente al aire caliente.
4. Tenga en cuenta el peso del aire acondicionado y seleccione un lugar donde produzca el mínimo ruido y vibración.
5. Seleccione un lugar donde el aire caliente y el ruido del aire acondicionado no moleste a los vecinos.
6. El lugar tendrá la resistencia suficiente para soportar el peso y la vibración de la unidad exterior, y estará nivelado.
7. El lugar no se verá afectado por la nieve o la lluvia.
8. No habrá peligro de caída de nieve o hielo.
9. El suelo o la base no serán frágiles, es decir, no utilice un lugar del edificio en mal estado o donde se acumule la nieve.



Instalaciones sobre el tejado:

Si la unidad exterior se instala sobre el tejado, asegúrese de nivelar la unidad. Asegúrese de que la estructura del tejado y el método de anclaje son adecuados para la colocación de la unidad. Consulte los códigos locales sobre el montaje en tejados.



Unidad : mm(inch)

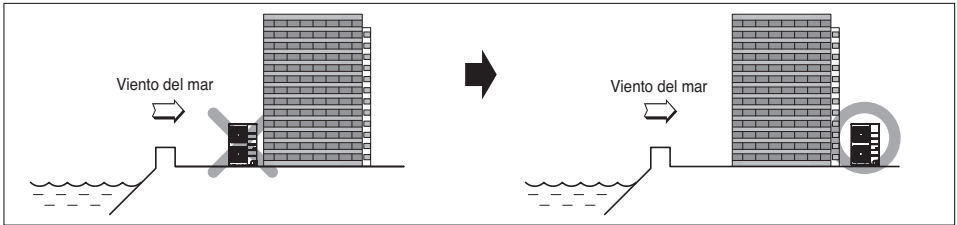
Guía de instalación junto al mar

! PRECAUCIÓN

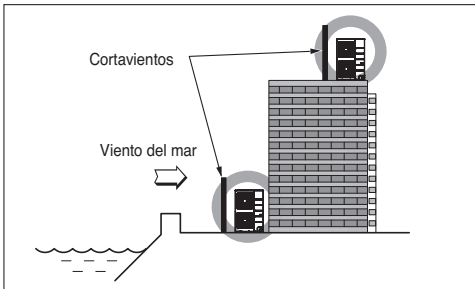
1. Los aparatos de aire acondicionado no deben instalarse en áreas donde se produzcan gases corrosivos, como los alcalinos o los ácidos.
2. No instale el aparato donde quede expuesto directamente al viento del mar (rocío salino). Puede producirse la corrosión en el producto. La corrosión, particularmente en las aletas del condensador y del evaporador, podría causar un funcionamiento defectuoso del aparato o un funcionamiento ineficaz.
3. Si la unidad exterior se instala cerca de la costa, debe evitarse la exposición directa al viento del mar. De lo contrario, se necesitará un tratamiento anticorrosión adicional en el intercambiador de calor.

1. Selección de la ubicación (Unidad exterior)

- 1) Si la unidad exterior se instala cerca de la costa, debe evitarse la exposición directa al viento del mar. Instale la unidad exterior en el lado contrario a la dirección del viento.



- 2) En el caso de que instale la unidad exterior en la costa, coloque un cortavientos para protegerlo del viento del mar.



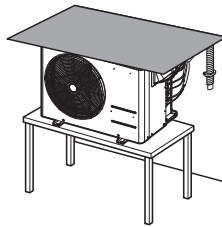
- Debe ser lo suficientemente fuerte como el cemento para bloquear el viento del mar.
- El alto y el ancho deben superar el 150 % de la unidad exterior.
- Debe mantenerse más de 70 cm (21 1/16 inchs) entre la unidad exterior y el cortavientos para permitir la libre circulación de aire.

- 3) Seleccione un lugar bien dragado.

1. Si no puede cumplir las condiciones anteriores en la instalación marina, contacte con LG Electronics para un tratamiento adicional anticorrosión.
2. La limpieza periódica con agua (más de una vez al año) del polvo o las partículas de sal atascadas en la salida de calor

Precauciones Invernales, Especiales Para El Viento Estacional

- Es necesario respetar las medidas suficientes, en un area de nieve o frio severo, para lograr el correcto funcionamiento del producto.
- Preparese para el viento estacional o la nieve en invierno, incluso si se encuentra en otras areas.
- Instala un conducto de succion y descarga para no permitir la entrada de nieve o lluvia mientras el producto funciona a temperaturas exteriores inferiores a los 10 °C.
- Instale la unidad exterior de tal forma que no entre en contacto directo con la nieve. Si la nieve se acumulara y congelara el agujero de succion de aire el sistema podria averiarse. Si instala el producto en un area de mucha nieve, acople la cubierta de proteccion al sistema.
- Instale la unidad exterior en la consola de instalacion 50 cm. mas elevada que el nivel de nieve medio (considerando el indice de caida anual de nieve) si instala el producto en un area con mucha nieve.
- Si el nivel de nieve acumulada sobre la unidad exterior supera los 10 cm, retire siempre la nieve antes del funcionamiento de la unidad.



1. La altura de la estructura H debe ser 2 veces superior al nivel de nieve, y su anchura no debera exceder el ancho del producto. (Si la anchura de la estructura es mayor que la del producto la nieve podria acumularse)
2. No instale el agujero de succion y el de descarga de la unidad exterior de cara al viento.

Longitud de la tubería y elevación

Tipo tubería múltiple

Unidad : m(ft)

Capacidad unidad exterior (Btu/h clase)	Longitud máxima total de todas las tuberías(A+B)/(A+B+C+D)	Longitud máxima total de cada tubería (A/B/C/D)	Longitud mínima de cada tubería (A/B/C/D)	Altura máxima entre cada unidad interior y exterior (h1)	Altura máxima entre unidades interiores (h2)	Combinación máx. de unidades interiores (Btu/h clase)
18 k	50(164)	25(82)	3(10)	15(49)	7.5(25)	24 k
24 k	70(230)	25(82)	3(10)	15(49)	7.5(25)	33 k
30 k	75(246)	25(82)	3(10)	15(49)	7.5(25)	40 k
36 k	75(246)	25(82)	3(10)	15(49)	7.5(25)	48 k

Método de cálculo para el índice de capacidad total = suma del índice de capacidad de las unidades interiores conectadas.

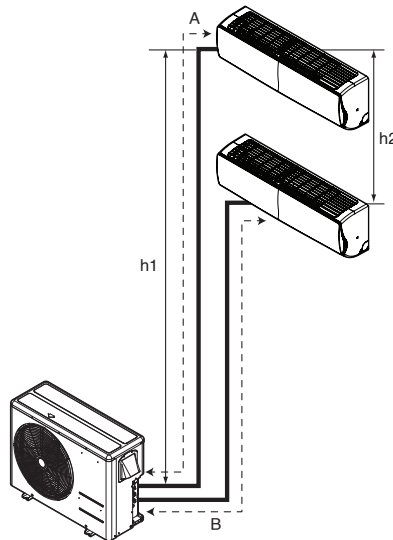
* Índice de capacidad total = [Suma de la capacidad de todas las unidades interiores VAHU y de ductos ocultos en techo (alta estática) (si las hubiera)] x 1.3 + Suma de la capacidad de todas las demás unidades interiores

* El multiplicador (1.3) solo es necesario para calcular la relación de combinación.

* Para las combinaciones que contienen una de las siguientes condiciones, el multiplicador es 1.2, en lugar de 1.3.

- 1) UNA unidad VAHU/de ductos de 24 k de alta estática, y UNA unidad VAHU/de ductos de 24 k de alta estática
- 2) UNA unidad VAHU/de ductos de 24 k de alta estática, y UNA unidad VAHU/de ductos de 36 k de alta estática

Capacidad unidad interior (Btu/h clase)	Tamaño de la tubería Unidad : mm(inch)	
	Gas	Líquido
7, 9, 12, 15 k	9.52(3/8)	6.35(1/4)
18, 24 k	12.7(1/2)	6.35(1/4)
36 k	15.88(5/8)	9.52(3/8)



⚠ PRECAUCIÓN

Tipo canalización múltiple

La capacidad está basada en la longitud estándar y la longitud máxima permitida está basada en la fiabilidad.

Tipo distribuidor

Unidad : m(ft)

Capacidad unidad exterior (Btu/h clase)	Longitud máxima total de todas las tuberías (principal + bifurcación)	Longitud máxima total de todas las tuberías (A+B+C)	La longitud máxima del tubo de bifurcación	Longitud máxima total de cada tubería	Longitud mínima de cada tubería	Altura máxima entre cada unidad interior y exterior (h1)	Altura máxima entre unidades interiores (h2)	Combinación máx. de unidades interiores (Btu/h clase)
48 k	145(476)	55(180)	90(295)	15(49)	3(10)	30(98)	15(49)	65 k
54 k	145(476)	55(180)	90(295)	15(49)	3(10)	30(98)	15(49)	73 k
60 k	145(476)	55(180)	90(295)	15(49)	3(10)	30(98)	15(49)	83 k

Método de cálculo para el índice de capacidad total = suma del índice de capacidad de las unidades interiores conectadas.

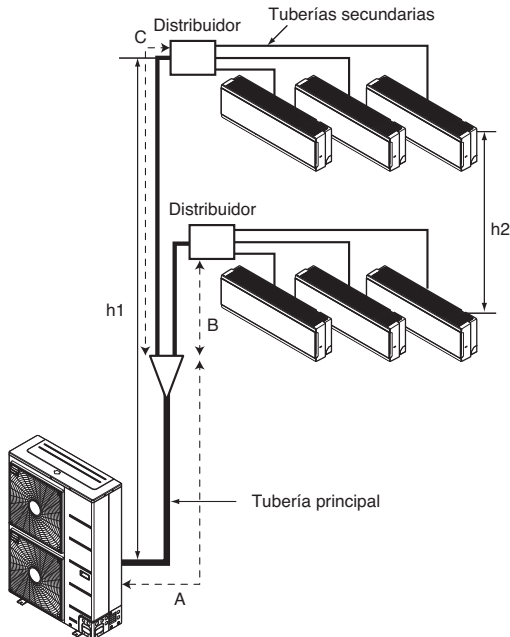
* Índice de capacidad total = [Suma de la capacidad de todas las unidades interiores VAHU y de ductos ocultos en techo (alta estática) (si las hubiera)] x 1.3 + Suma de la capacidad de todas las demás unidades interiores

* El multiplicador (1.3) solo es necesario para calcular la relación de combinación.

* Para las combinaciones que contienen una de las siguientes condiciones, el multiplicador es 1.2, en lugar de 1.3.

- 1) UNA unidad VAHU/de ductos de 24 k de alta estática, y UNA unidad VAHU/de ductos de 24 k de alta estática
- 2) UNA unidad VAHU/de ductos de 24 k de alta estática, y UNA unidad VAHU/de ductos de 36 k de alta estática

Capacidad unidad interior (Btu/h clase)	Tamaño de la tubería Unidad : mm(inch)	
	Gas	Líquido
7, 9, 12, 15 k	9.52(3/8)	6.35(1/4)
18, 24 k	12.7(1/2)	6.35(1/4)
36 k	15.88(5/8)	9.52(3/8)



⚠ PRECAUCIÓN

La capacidad está basada en la longitud estándar y la longitud máxima permitida está basada en la fiabilidad.

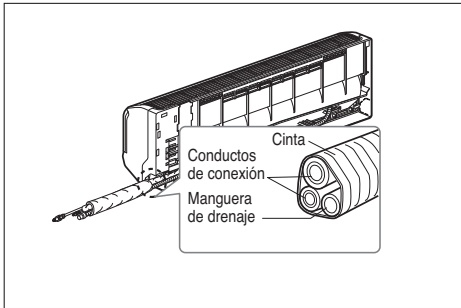
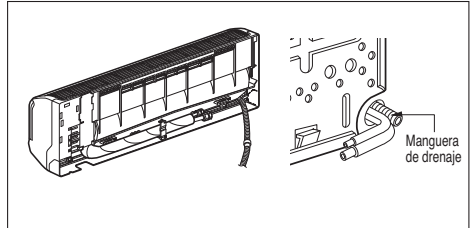
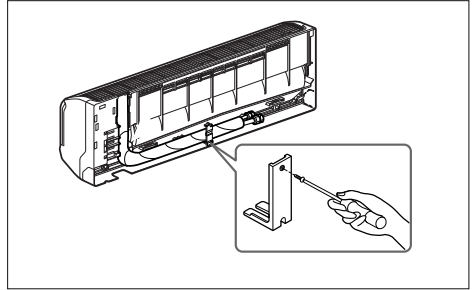
Instalación

[Montaje en pared / Ventana ART COOL]

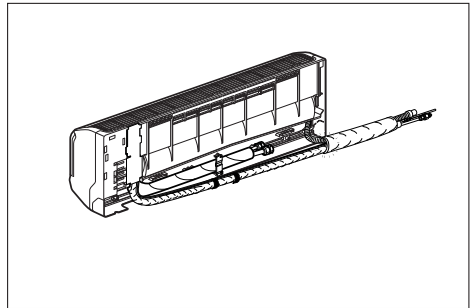
Conexión de conductos

Tipo Standard / Artcool Mirror

1. Prepare el conducto y la manguera de drenaje de la unidad interior para su instalación a través de la pared.
2. Retire el dispositivo de retención de plástico de las tuberías (consulte la ilustración) y saque la tubería y la manguera de drenaje del chasis.
3. Dirija la tubería y la manguera de drenaje de la unidad interior hacia la posición del agujero de conductos.
4. Inserte los conductos, la manguera de drenaje y el cable de conexión en el agujero de conductos.
5. Inserte el cable de conexión en la unidad interior.
 - No conecte el cable a la unidad interior.
 - Realice un pequeño bucle con el cable para una conexión posterior más fácil.
6. Ponga cinta alrededor del tubo y la manguera de drenaje.

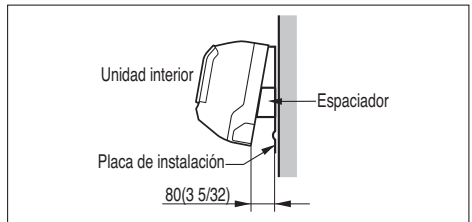


Salida posterior derecha del conducto



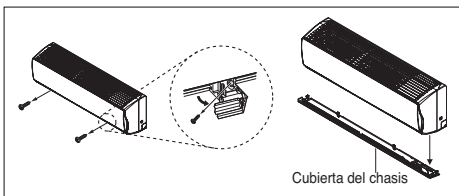
Salida posterior izquierda del conducto

7. Instalación de la unidad interior
 - Cuelgue la unidad interior sobre la parte superior de la placa de instalación.
 - Inserte el espaciador, etc. entre la unidad interior y la placa de instalación y separe la parte inferior de la unidad interior de la pared.

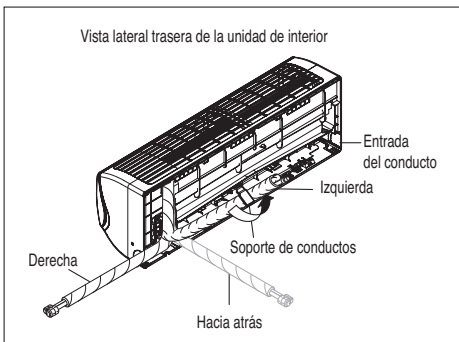


Tipo Standard Libero / Artcool Libero

1. Tire del tapón de rosca de la parte inferior de la unidad de interior
2. Retire la cubierta del chasis de la unidad aflojando tornillos

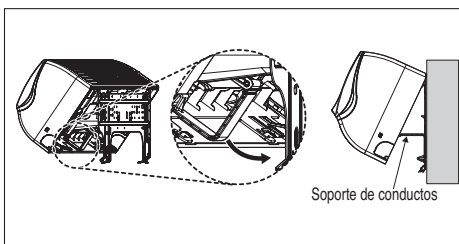
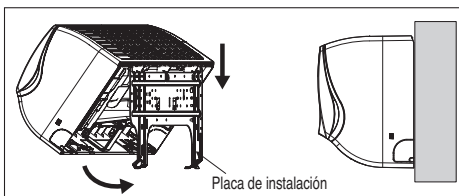


3. Tire del soporte del tubo.
4. Retire la entrada del conducto y colóquelo en su lugar



5. Instalación de la unidad de interior

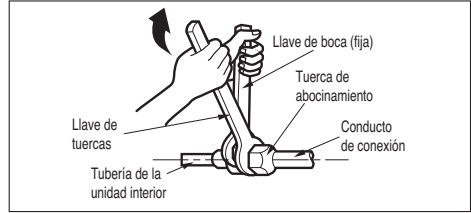
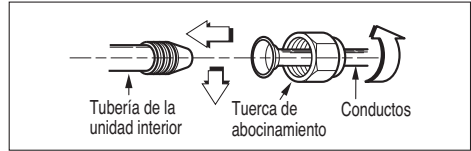
- 1) Enganche la unidad de interior en la parte superior de la placa de instalación. (Enganche los tres ganchos de la parte superior de la unidad de interior con el borde superior de la placa de instalación). Asegúrese de que los ganchos están bien sujetos moviéndolos a derecha e izquierda.
- 2) Desbloquee el soporte de conductos del chasis y móntelo entre el chasis y la placa de instalación para separar la parte inferior de la unidad de interior de la pared.



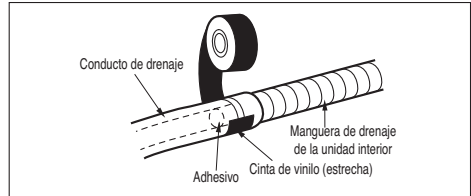
Conexión de los conductos a la unidad interior y de la manguera de drenaje al conducto de drenaje.

1. Alinee el centro de los conductos y apriete suficientemente la tuerca de abocinamiento a mano.
2. Apriete la tuerca de abocinamiento con una llave de tuercas.

Diámetro exterior		Fuerza de torsión		
mm	inch	N-m	kgf-m	lbf-ft
Ø 6.35	1/4	14~18	1.4~1.8	10~13
Ø 9.52	3/8	34~42	3.5~4.3	25~31
Ø 12.7	1/2	49~61	5.0~6.2	36~45
Ø 15.88	5/8	69~82	7.0~8.4	51~60
Ø 19.05	3/4	100~120	10.0~12.2	73~88



3. Cuando extienda la manguera de drenaje en la unidad interior, instale el conducto de drenaje.

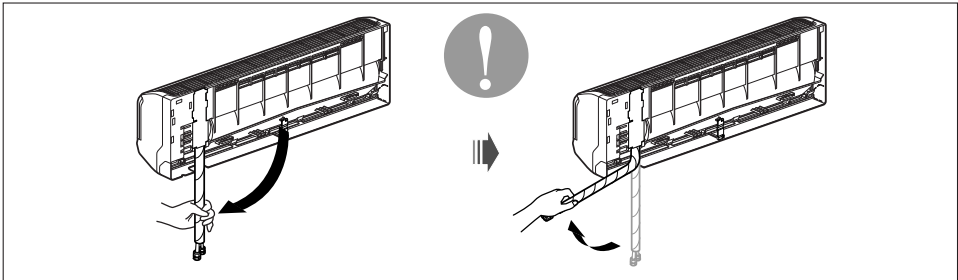


⚠ PRECAUCIÓN

Información de instalación para conductos a la izquierda.
Siga las siguientes instrucciones.

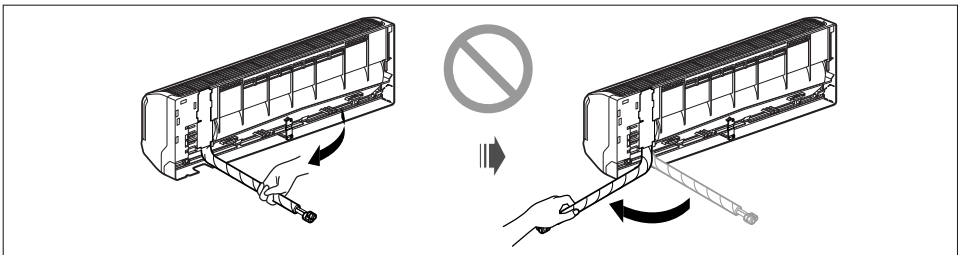
Correcto

- Presione sobre la parte superior de la abrazadera y desdoble suavemente las tuberías hacia abajo.



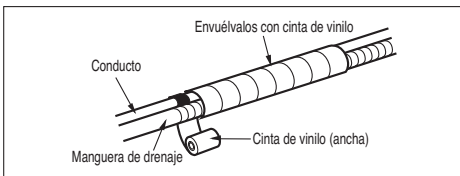
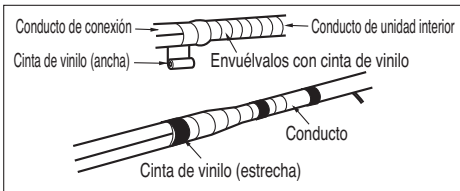
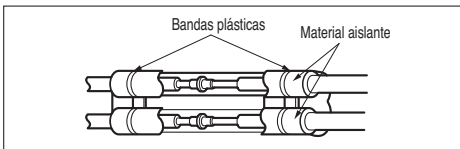
Incorrecto

- Si realiza giros a derecha e izquierda puede ocasionar daños a las tuberías.



Envuelva con material de aislamiento el tramo de conexión.

1. Solape el aislamiento térmico del conducto de conexión y el material de aislamiento térmico del conducto de la unidad interior. Encinte el conjunto con cinta de vinilo de modo que no queden huecos.
2. Encinte el área que alberga la sección posterior del alojamiento de los conductos con cinta de vinilo.
3. Encinte el conjunto de los conductos y la manguera de drenaje con cinta de tela en el tramo en que entra en la sección posterior del alojamiento de los conductos.

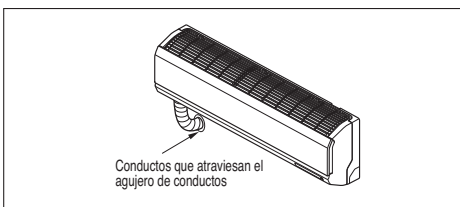


Redirija los conductos y la manguera de drenaje hacia la parte posterior del chasis.

Finalización de la instalación de la unidad de interior

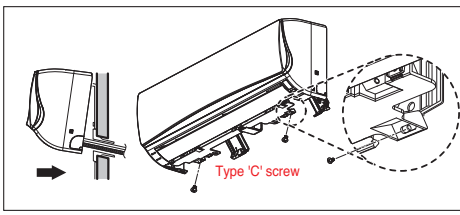
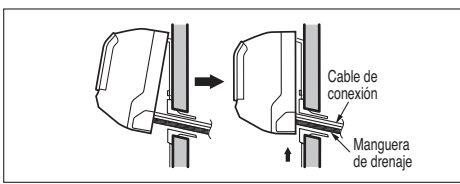
Tipo Standard / Artcool Mirror

1. Retire el espaciador.
2. Asegúrese de que los ganchos están fijados adecuadamente sobre la placa de instalación moviéndola a derecha e izquierda.
3. Presione la parte inferior derecha e izquierda de la unidad contra la placa de instalación hasta que los enganches se ajusten en sus ranuras (hasta que hagan clic).



Tipo Standard Libero / Artcool Libero

1. Monte el soporte de conductos en la posición original.
2. Asegúrese de que los ganchos están bien asentados en la placa de instalación moviendo la unidad a la derecha e izquierda.
3. Empuje la unidad desde la parte inferior a derecha e izquierda sobre la placa de instalación hasta que los ganchos entren en sus ranuras (escuchará un "clic").
4. Finalice el montaje atornillando la unidad a la placa de instalación usando dos tornillos de tipo "C".
Y monte la cubierta del chasis.

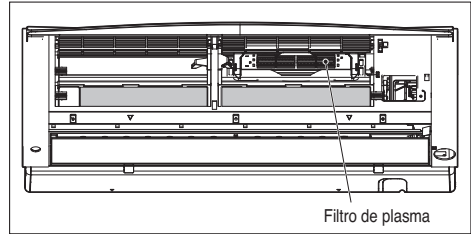


⚠ PRECAUCIÓN

Si la unidad interior de tipo Split (fraccionada) está instalada en una pared con orificios o aperturas cerca o en la parte trasera de la unidad, el aire procedente del otro lado de la pared puede penetrar dentro del espacio acondicionado a través de estos orificios/ aperturas. El aire puede causar condensaciones de rocío/ agua no deseadas cuando entra en contacto con el cuerpo de la unidad interior. En consecuencia, todos los orificios o aperturas en la pared deben ser tapados correctamente para evitar el goteo del agua procedente del cuerpo de la unidad.

Instalación de filtros

1) Retire las dos cintas del filtro de plasma.

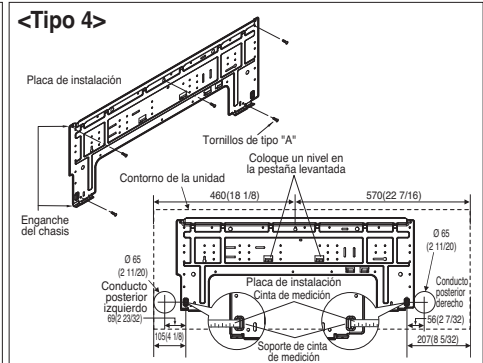
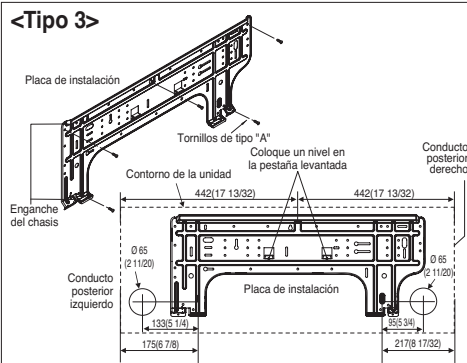
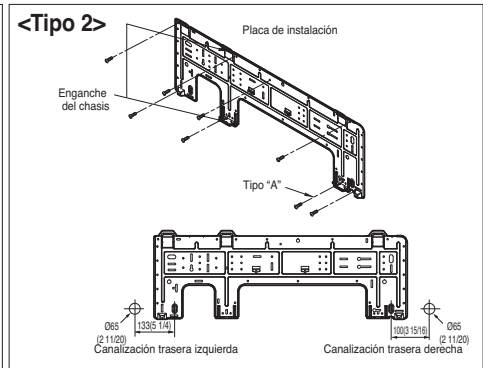
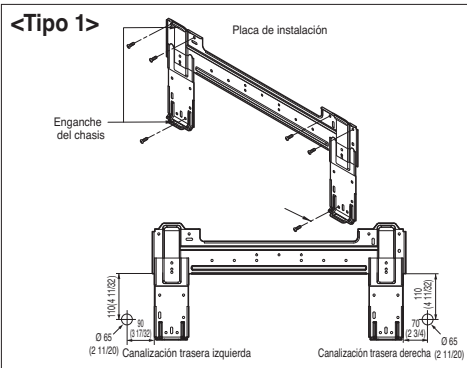


Cómo fijar

La pared que ha seleccionado deberá ser lo suficientemente fuerte y sólida para evitar vibraciones.

1. Monte la placa de instalación en la pared con tornillos tipo "A". Si monta la unidad en una pared de hormigón, utilice pernos de anclaje.
- Monte la placa de instalación horizontalmente alineando la línea central mediante un nivel.
2. Mida la pared y marque la línea central. También es importante tener cuidado con la ubicación de la placa de instalación en relación al cableado y salidas de potencia, ya que normalmente se realiza a través de la pared. La perforación de agujeros a través de la pared para las conexiones de canalización debe realizarse de forma segura.

Tipo interior	Capacidad (kBtu/h)	Tipo
Montaje enpared/ Ventana ART COOL	7/9/12/15	Tipo 1 / Tipo 3
	18/24	Tipo 2 / Tipo 4

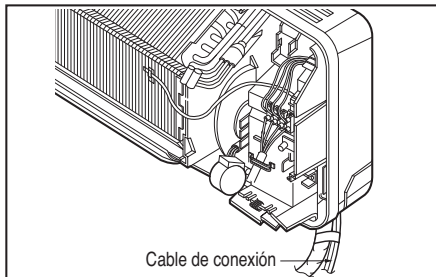


Conexión de los cables entre las unidades interior

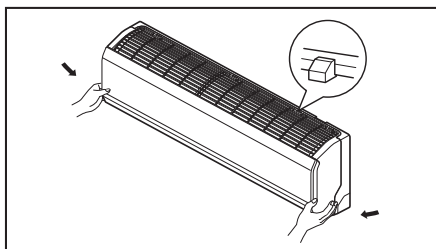
1. Conecte por separado los cables a los terminales del panel de control de acuerdo con la conexión de la unidad exterior.
 - Asegúrese de que el color de los cables de la unidad exterior y el número de terminales son los mismos que los de la unidad interior, respectivamente.

Bloque del terminal del interior				
1 (L1)	2 (L2)		3	4

↑ ↑ ↑ ↑
ENTRADA DE CORRIENTE EXTERIOR



2. Añada la parrilla a la carcasa.
 - Sujete la parte inferior derecha e izquierda de la parrilla y coloque cuatro lengüetas en el borde superior interior del chasis.
 - Presione la parrilla hacia el chasis hasta que vuelva a su posición.

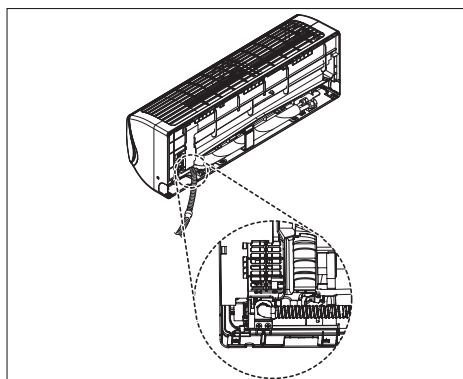
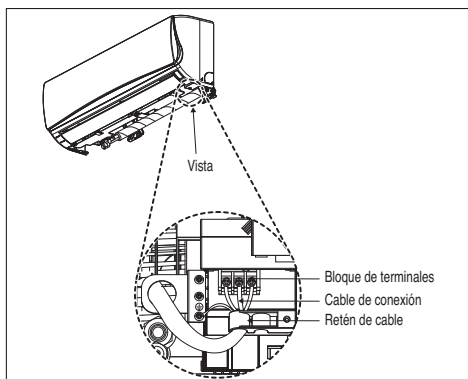
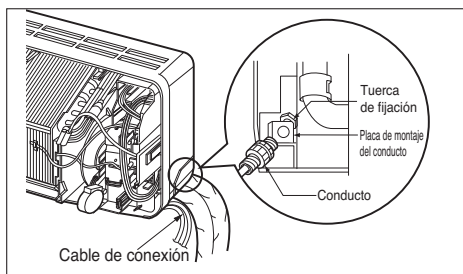
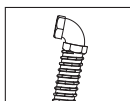


Conexión del conducto

1. Una el conducto y el soporte del conducto mediante la tuerca.
2. Fije el cable de conexión dentro del bloque de terminales de la unidad interior y apriete el perno de ajuste para bloquear el soporte del conducto a la unidad interior.

PRECAUCIÓN

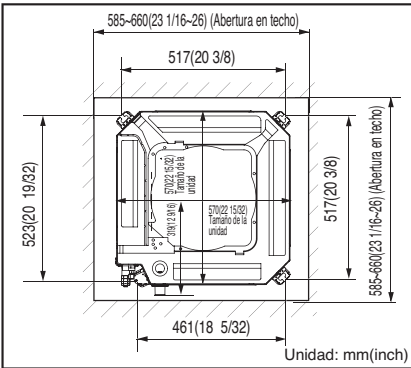
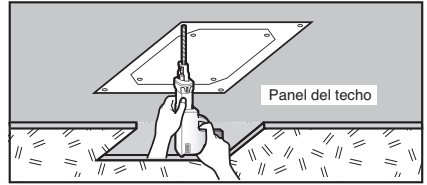
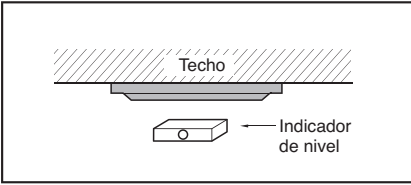
Debe usar el conducto de tipo codo (L).



[Aire acondicionado de Tipo Cassete]

Dimensiones de abertura del techo y ubicación del perno de suspensión

- Las dimensiones del modelo de papel para la instalación son las mismas que las de la abertura del techo.



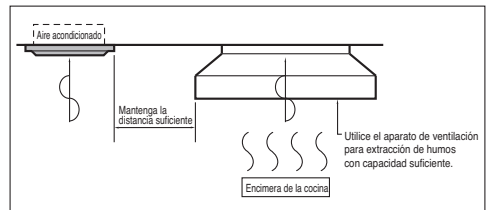
- Elija y marque la posición de los pernos de fijación y del orificio de entubado.
- Determine la posición de los pernos de fijación con ligera inclinación hacia la dirección de drenaje, teniendo en cuenta la dirección de la manguera de drenaje.
- Perfore en la pared el orificio del perno de fijación.

PRECAUCIÓN

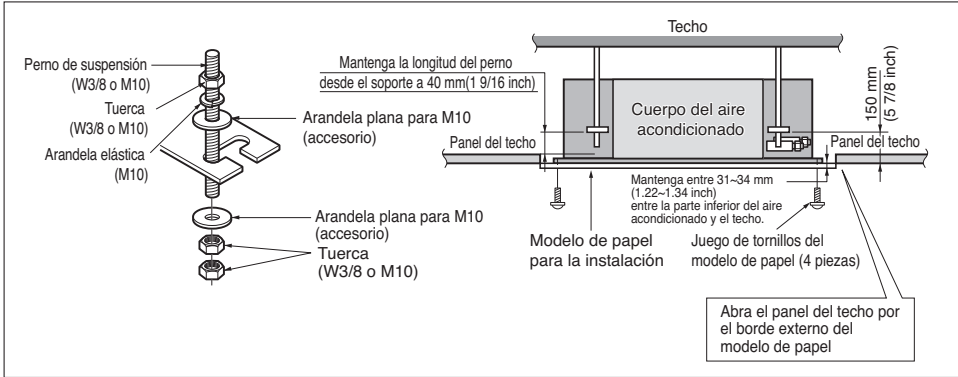
- Este aire acondicionado utiliza una bomba de drenaje.
- Instale la unidad en posición horizontal utilizando un indicador de nivel.
- Durante la instalación, deberá tener cuidado de no dañar los cables eléctricos.

AVISO

- Evite la instalación en los lugares indicados a continuación.
- Restaurantes y cocinas en los que exista una cantidad considerable de vapor de grasa y en los que se genere polvo. Estas circunstancias pueden disminuir la eficacia de intercambio de calor, goteo de agua o provocar el funcionamiento incorrecto de la bomba de drenaje. En estos casos, tome las siguientes medidas:
 - Asegúrese de que el aparato de ventilación tiene la capacidad suficiente para todos los gases tóxicos generados en este tipo de lugares.
 - Asegúrese de que la distancia a la cocina es suficiente e instale el aire acondicionado en un lugar en el que no aspire vapor con grasas.
 - Intente no instalar el aire acondicionado en lugares en los que se generen grasas o polvo de hierro.
 - Evite los lugares en los que se produzcan gases inflamables.
 - Evite los lugares en los que se produzcan gases nocivos.
 - Evite los lugares cercanos a generadores de alta frecuencia.



Cómo fijar



• Deberán comprarse las piezas siguientes.

- ① Perno de suspensión - W 3/8 o M10
- ② Tuerca - W 3/8 o M10
- ③ Arandela elástica - M10
- ④ Arandela de la placa - M10

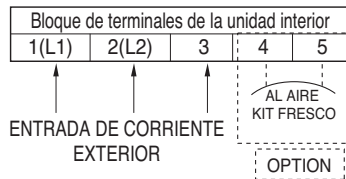
⚠ PRECAUCIÓN

Apriete la tuerca y el perno para evitar que la unidad se caiga.

Conexión de los cables entre las unidades interior

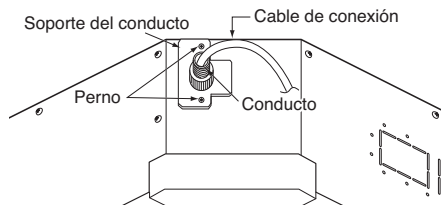
- Abra la cubierta de la caja de control y conecte el cable del mando a distancia y los cables de corriente del interior.

Serie TQ/TR



Conexión del conducto

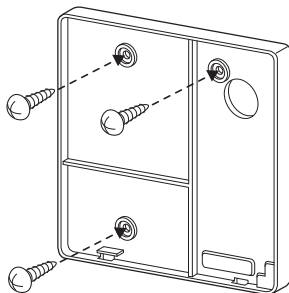
- Retire el producto de goma del orificio fijado a la unidad interior.
- Una el conducto y el soporte del conducto mediante la tuerca.
- Fije el cable de conexión dentro del bloque de terminales de la unidad interior y apriete el perno de ajuste para bloquear el soporte del conducto a la unidad interior.



Instalación del mando a distancia (Opcional)

1. Utilice los tornillos facilitados para colocar y fijar el controlador remoto en el lugar deseado.

- Instálelo teniendo cuidado de no doblarlo, ya que resultaría en una instalación incorrecta. Coloque el panel de control cerca de la caja de restauración, en caso de existir una.
- Instale el producto de modo que no tenga un claro con el costado de la pared y evite agitarlo después de la instalación.

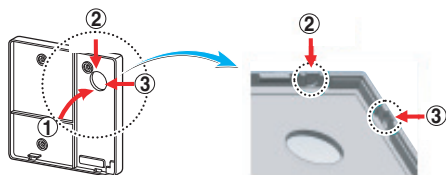


2. El cable del controlador remoto por cable se puede instalar en tres direcciones.

- Dirección de instalación: la superficie de la caja de recuperación, superior derecha.
- Si el cable del controlador remoto se coloca en el lado derecho y en la parte superior, instálelo después de retirar la guía del cable del controlador remoto.

* Retirar la ranura guía con la parte larga.

- ① Fijación a la superficie de la pared
- ② Ranura guía de parte superior
- ③ Ranura guía de parte derecha

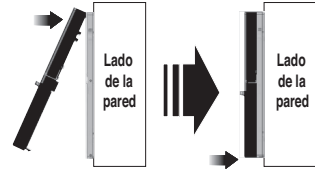


< Ranuras guía del cable >

3. Fije la parte superior del controlador remoto en el panel de instalación acoplado a la superficie de la pared, como muestra la imagen siguiente y, a continuación, conecte el panel de instalación pulsando en la parte inferior.

- Conéctelo de forma que no quede ninguna separación entre en el controlador remoto y la parte superior, inferior, derecha o izquierda del panel de instalación.
- Antes de ensamblar con el tablero de instalación arregle el Cable para que no interfiera con las partes del circuito.

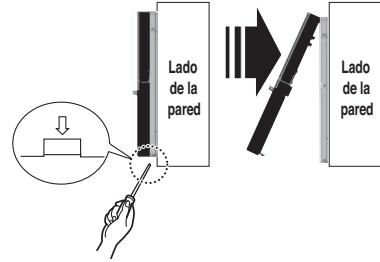
<Orden de conexión>



Al separar el controlador remoto del panel de instalación, como muestra la imagen siguiente, después de insertar el destornillador en el orificio de separación inferior, gírelo en el sentido de las agujas del reloj y el controlador remoto se separará.

- Existen dos orificios de separación. Separe cada orificio de forma individual.
- Tenga cuidado de no dañar los componentes interiores al realizar la separación.

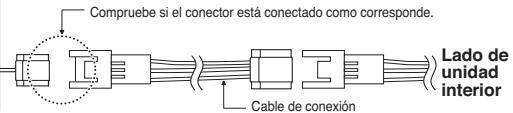
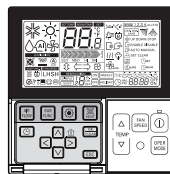
<Orden de separación>



ESPAÑOL

4. Conecte la unidad de interior y el controlador remoto utilizando el cable de conexión.

12 V	Red
Cable de señal	Amarillo
GND (Puesta a tierra)	Negro



5. Utilice el cable de extensión si la distancia entre el controlador remoto y la unidad interior es superior a 10 m(32.8 ft).

⚠ PRECAUCIÓN

Al instalar el controlador remoto por cable, no lo oculte en la pared. (Podría dañar el sensor de temperatura).

No coloque un cable de 50m(164ft) metros o superior. (Podría ocasionar un error de comunicación).

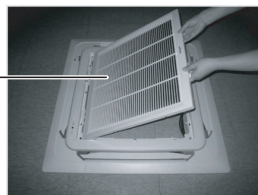
- Al instalar el cable de extensión, compruebe la dirección de conexión del conector del lateral del controlador remoto y del lateral del producto para una instalación correcta.
- Si instala el cable de extensión en la dirección opuesta, el conector no se conectará.
- Especificaciones del cable de extensión: 2547 1007 22, 2 núcleos, blindaje 3, 5 o superior.

Instalación del Panel Decorativo

El panel decorativo incluye sus propias instrucciones de instalación. Antes de instalar el panel decorativo, retire siempre la plantilla de papel.

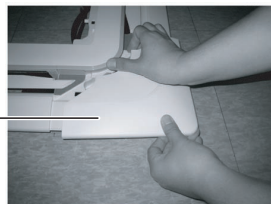
1. Retire el material de embalaje y desmonte la rejilla de entrada de aire del panel frontal.

Rejilla frontal



2. Desmonte los cubre-esquinas del panel.

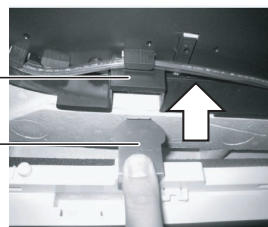
Cubre-esquinas



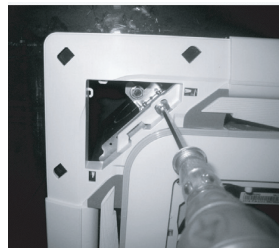
3. Ajuste el panel sobre la unidad introduciendo los ganchos como ilustra la imagen.

Clip de enganche

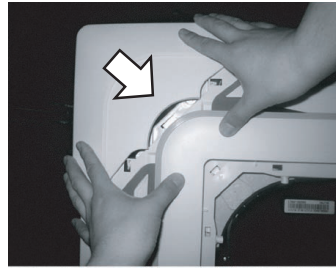
Gancho



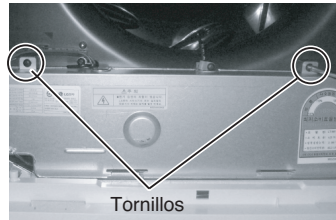
4. Introduzca dos tornillos en las esquinas diagonales del panel. No apriete aún los tornillos. (Los tornillos de fijación se incluyen en la caja de la unidad interior). Compruebe la alineación del panel con el techo. Es posible ajustar la altura mediante el uso de pernos de suspensión, como ilustra la imagen. Introduzca los otros dos tornillos y apriételos todos al máximo.



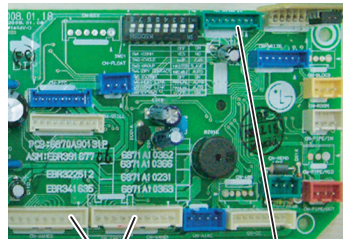
5. Ajuste los cubre-esquinas..



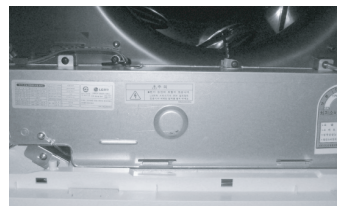
6. Retire los dos tornillos de control de la cubierta del panel.



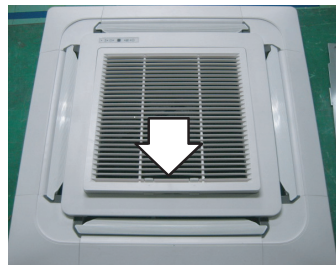
7. Una un conector de visualización y dos conectores de control de álabes del panel frontal a la PCI de la unidad interior.
La marca de posición en la PCI es:
Conector de visualización: CN-DISPLAY
Conector de control de álabes: CN-VANE 1,2



8. Cierre la cubierta de la caja de control.



9. Instale la rejilla de entrada de aire y el filtro en el panel.

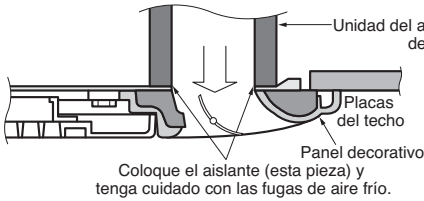


⚠ PRECAUCIÓN

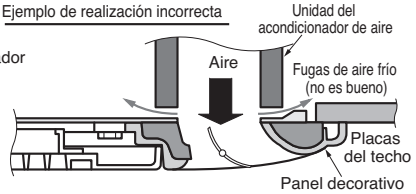
Instale correctamente el panel decorativo.

Las fugas de aire frío provocan condensación ☐ Caída de gotas de agua.

Ejemplo de realización correcta



Ejemplo de realización incorrecta



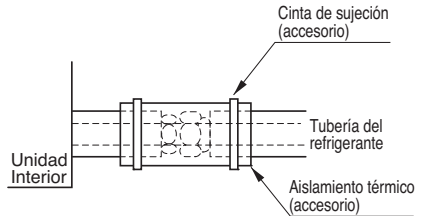
AISLAMIENTO TÉRMICO

1. Utilice el material de aislamiento térmico para la tubería del refrigerante ya que tiene una excelente resistencia térmica [más de 120 °C(248 °F)].

2. Precauciones en condiciones de gran humedad:

Este acondicionador de aire ha sido ensayado de acuerdo con las Condiciones Estándares KS con Humedad y se ha confirmado que no tiene ningún defecto. Sin embargo, si se pone en funcionamiento durante un periodo prolongado de tiempo en una atmósfera con gran humedad [temperatura del punto de condensación superior a 23 °C(73.4 °F)], es posible que caigan gotas de agua. En este caso, añada material de aislamiento térmico según el procedimiento siguiente:

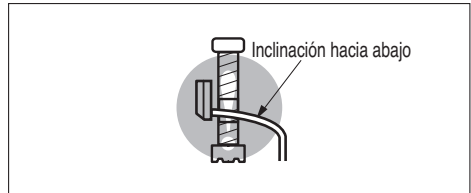
- Material de aislamiento térmico que se debe preparar: Lana de vidrio adiabático con un espesor entre 10 y 20 mm.
- Pegue la lana de vidrio en todos los acondicionadores de aire que estén ubicados en el techo.
- Además del aislamiento térmico normal (espesor superior a 8 mm) para la tubería del refrigerante (tubería del gas: tubo grueso) y para la tubería de drenaje, añada más material con un espesor entre 10 y 30 mm.



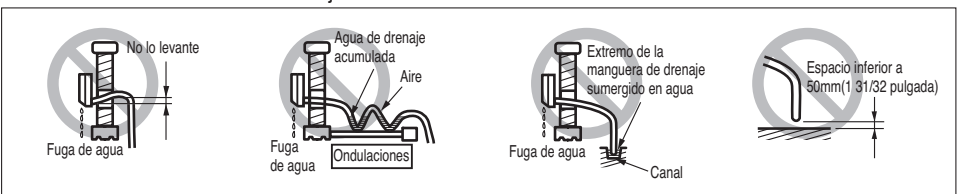
Tuberías de drenaje

[Tipo Standard / Standard Libero / Artcool Mirror]

1. La manguera de drenaje debe dirigirse hacia abajo para facilitar el drenaje.



2. No instale las tuberías de drenaje.



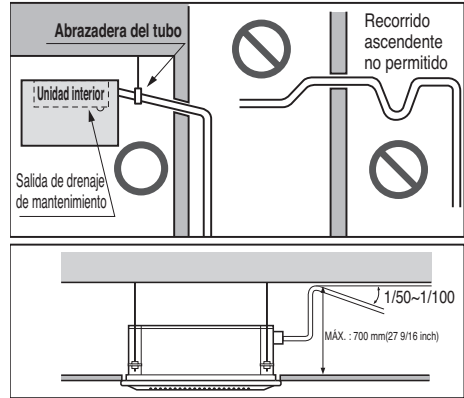
[Tipo Conducto / Tipo Cassette]

- El entubado de drenaje debe tener una pendiente hacia abajo (de 1/50 a 1/100): asegúrese de que la pendiente no suba y baje para evitar la inversión del flujo.
- Durante la conexión del entubado de drenaje, tenga cuidado de no forzar demasiado la salida de drenaje de la unidad interior.
- El diámetro externo de la conexión de drenaje de la unidad interior es de 32mm(1 1/4 inchs).

Material de los tubos: Tubo VP-25 y accesorios de policloruro de vinilo

- No olvide colocar el aislamiento térmico en el entubado de drenaje.

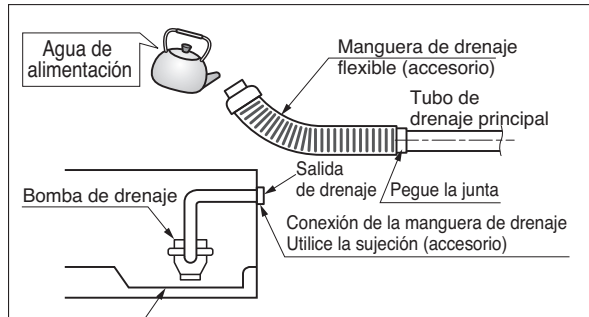
Material de aislamiento térmico: Espuma de polietileno con grosor por encima de 8 mm(5/16 inchs).



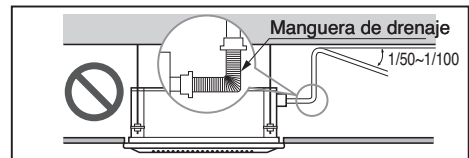
Prueba de drenaje

El aire acondicionado utiliza una bomba de drenaje para drenar el agua. Siga los pasos siguientes para probar el funcionamiento de la bomba de drenaje:

- Conecte el tubo de drenaje principal al exterior y déjelo de forma provisional hasta que concluya la prueba.
- Vierta agua por la manguera de drenaje flexible y compruebe y hay fugas en los tubos.
- Asegúrese de comprobar el correcto funcionamiento de la bomba de drenaje y el ruido una vez completado el cableado eléctrico.
- Una vez concluida la prueba, conecte la manguera de drenaje flexible a la salida de drenaje de la unidad interior.



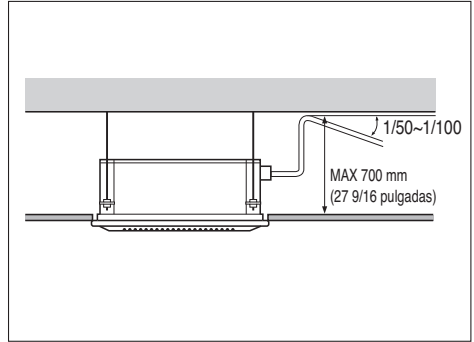
⚠ PRECAUCIÓN
La manguera de drenaje suministrada no debería ser curvada, ni atornillada.
El curvado o atornillado de la manguera puede causar una fuga de agua.



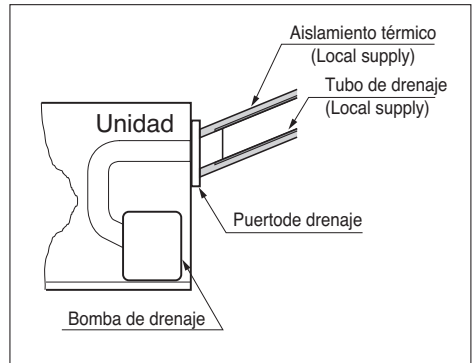
* La imagen pueden variar según el modelo

Atención

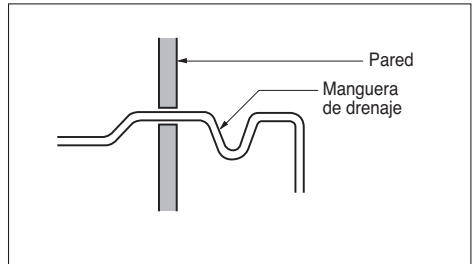
1. La altura de drenaje posible es hasta 700 mm (27 9/16 inchs). Por lo tanto, deberá instalarse por debajo de 700 mm (27 9/16 inchs).
2. Mantenga la manguera de drenaje hacia abajo con una inclinación máxima de 1/50-1/100. Evite cualquier subida o retorno de flujo.



3. Deberá existir en todo momento un aislador térmico de 5 mm (3/16 inch) o más de grosor para el tubo de drenaje.



4. Prohibida la colocación hacia arriba.
5. Asegúrese de comprobar el correcto funcionamiento de la bomba de drenaje y el ruido extraño una vez completado el cableado eléctrico.



Trabajo de abocinado y conexión de las tuberías

Trabajo de abocinado

La principal causa de fugas de gas es un defecto en el proceso de conexión por abocardado. Realice las conexiones por abocardado del siguiente modo.

1) Corte las tuberías y el cable

- Utilice el kit de accesorios para las tuberías o las tuberías que adquiera usted.
- Mida la distancia entre la unidad interior y la exterior.
- Corte las tuberías más largas que las medidas tomadas.
- Corte el cable 1.5 m (4.9 ft) más largo que la longitud del tubo.

2) Elimine las irregularidades

- Elimine totalmente las irregularidades del tubo por donde ha sido cortado.
- Coloque el extremo del tubo de cobre hacia abajo mientras elimina las irregularidades para evitar que caigan impurezas en el tubo.

3) Colocación de la tuerca

- Saque las tuercas abocardadas que se encuentran en las unidades interiores y exteriores y colóquelas en la tubería una vez eliminadas las irregularidades. (No es posible colocarlas después del proceso de abocardado)

4) Abocardado

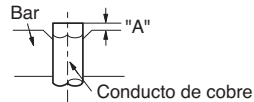
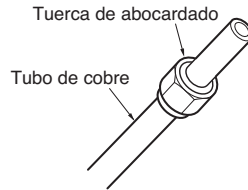
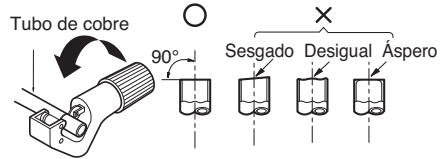
- Proceda al abocardado usando las herramientas de abocardar como se muestra a continuación.

Tamaño de la tubería pulgada (mm)	A pulgada (mm)	
	Tipo de tuerca de ala	Tipo de embrague
Ø 1/4 (Ø 6.35)	0.04~0.05 (1.1~1.3)	0~0.02 (0~0.5)
Ø 3/8 (Ø 9.52)	0.06~0.07 (1.5~1.7)	
Ø 1/2 (Ø 12.7)	0.06~0.07 (1.6~1.8)	
Ø 5/8 (Ø 15.88)	0.06~0.07 (1.6~1.8)	
Ø 3/4 (Ø 19.05)	0.07~0.08 (1.9~2.1)	

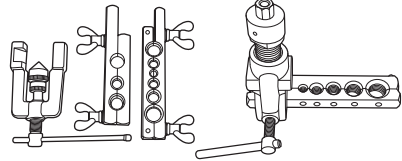
Sujete firmemente el tubo en un troquel como se indica en la tabla de dimensiones anterior.

5) Comprobación

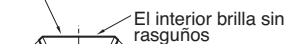
- Compare el resultado del abocardado con la figura.
- Si observa que el abocardado es defectuoso, corte la sección abocardada y proceda de nuevo a realizar la operación.



<Tipo de tuerca de ala> <Tipo de embrague>



Liso en toda la superficie



= Abocardado incorrecto =



Conexión de la canalización - Exterior

Alinee el centro de la canalización y apriete suficientemente la tuerca cónica manualmente..

Orden de conexión de conductos

- 1) estancias A~C conductos del lado del gas
- 2) estancias A~C conductos del lado del líquido

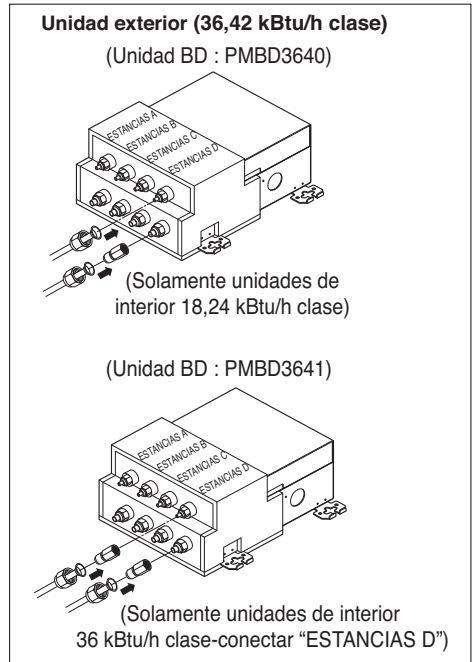
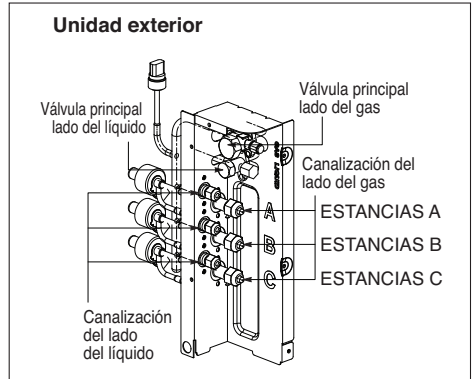
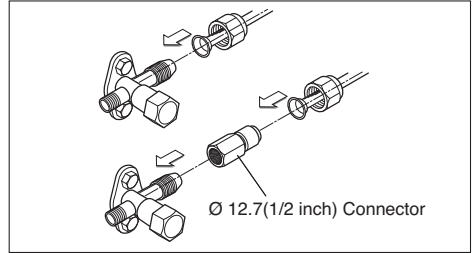
Finalmente, apriete la tuerca cónica con una llave inglesa torsiométrica hasta que la llave haga clic.

- Al apretar la tuerca cónica mediante la llave inglesa, asegúrese que la dirección de apriete siga la flecha en la llave.

Diámetro exterior		Fuerza de torsión		
mm	inch	N-m	kgf-m	lbf-ft
Ø 6.35	1/4	14~18	1.4~1.8	10~13
Ø 9.52	3/8	34~42	3.5~4.3	25~31
Ø 12.7	1/2	49~61	5.0~6.2	36~45
Ø 15.88	5/8	69~82	7.0~8.4	51~60
Ø 19.05	3/4	100~120	10.0~12.2	73~88

Unidad BD	Tamaño de la tubería de conexión (Inch(mm))		Combinación conectable (Btu/h clase)
	Conducto de líquido	Conducto de gas	
PMBD3620	1/4 (Ø 6.35) x 2 EA	3/8 (Ø 9.52) x 2 EA	7,9,12,15,18,24 k
PMBD3630	1/4 (Ø 6.35) x 3 EA	3/8 (Ø 9.52) x 3 EA	7,9,12,15,18,24 k
PMBD3640	1/4 (Ø 6.35) x 4 EA	3/8 (Ø 9.52) x 4 EA	7,9,12,15,18,24 k
PMBD3641	1/4 (Ø 6.35) x 4 EA	3/8 (Ø 9.52) x 3 EA	7,9,12,15,18,24 k (ESTANCIAS A,B,C)
		1/2 (Ø 12.7) x 1 EA	24,36 k (ESTANCIAS D)

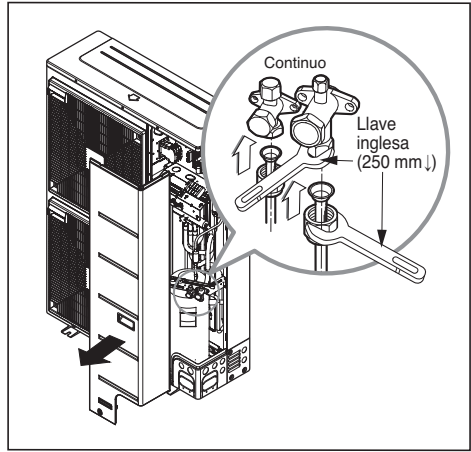
※ La unidad BD (PMBD3641) incluye el zócalo.
(Ø 12.7 → Ø 15.88 x 1 EA, Ø 6.35 → Ø 9.52 x 1 EA)



- Para unidades con capacidad superior a 48 kBtu/h, la instalación de la canalización puede conectarse en cuatro direcciones. (Consulte la figura 1)
- Cuando la conexión se realice en sentido descendente, rompa el hueco pre-perforado de la bandeja de la base. (Consulte la Figura 2)

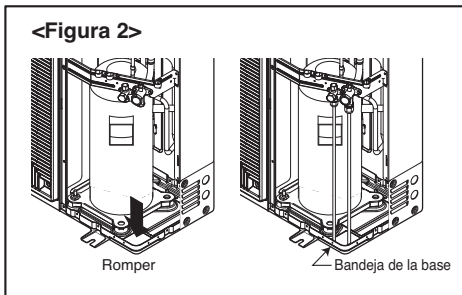
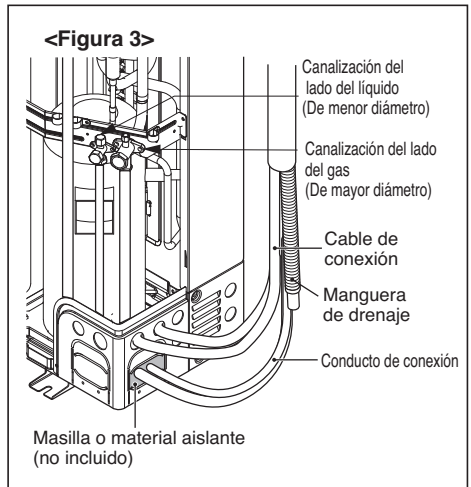
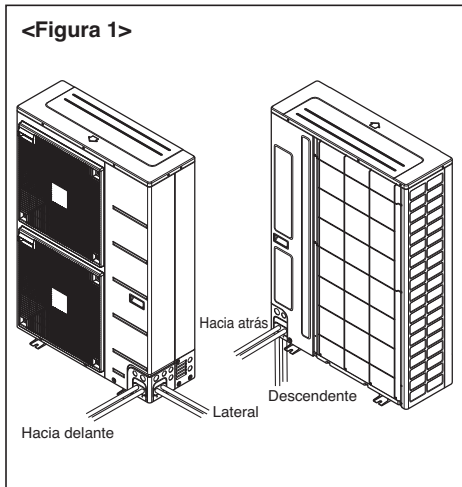
Prevenir la entrada de objetos extraños (Figura 3)

- Tapone el paso de la tubería a través de los huecos con masilla o material aislante (no incluidos) para obstruir todas las cavidades, como se muestra en la figura 3.
- La entrada de insectos o pequeños animales en la unidad exterior podría provocar corto circuitos en la caja eléctrica.



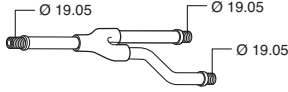
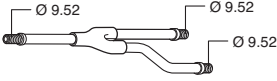
* Cuando apriete el conducto, sujete la pieza hexagonal.

ESPAÑOL

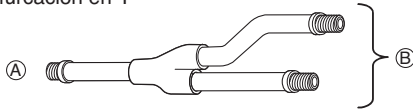


Bifurcación

[unidad : mm]

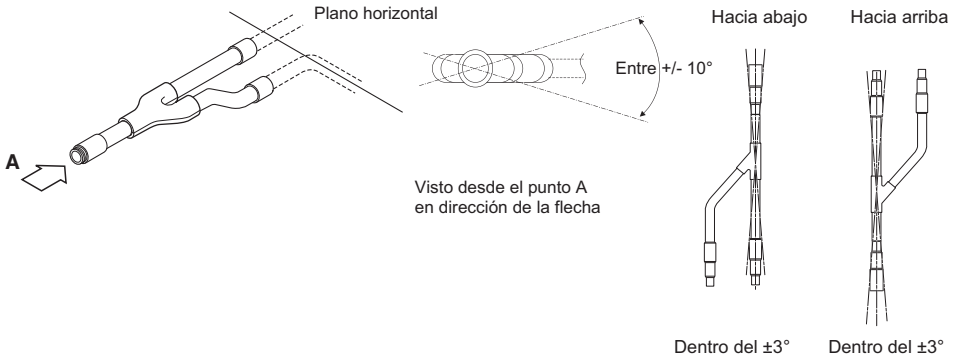
Modelo	Conducto de gas	Conducto de líquido
PMBL5620		

■ Bifurcación en Y

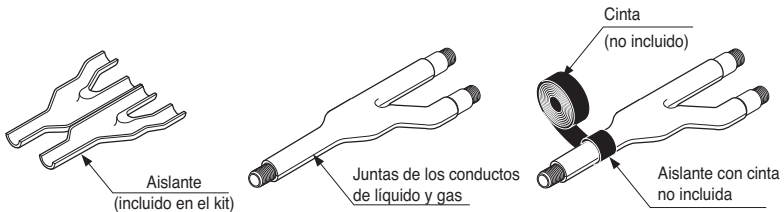


- Ⓐ A la unidad exterior
- Ⓑ A la unidad BD

- Asegúrese que los conductos de bifurcación estén conectados horizontal o verticalmente (consulte el diagrama a continuación.)

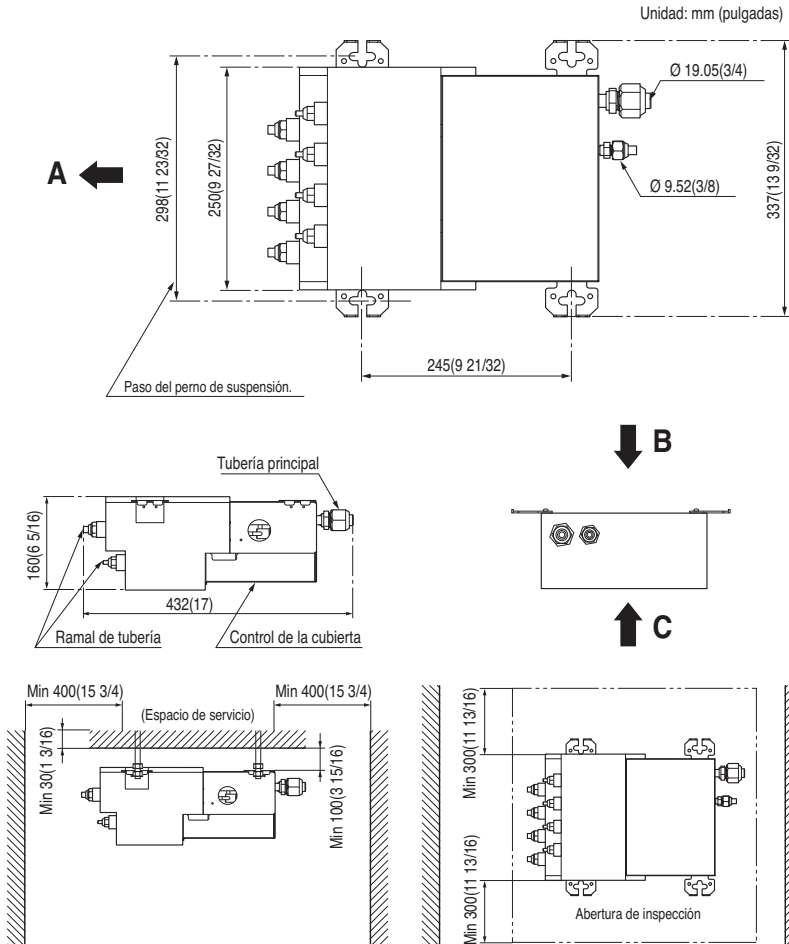


- El conducto de bifurcación deberá aislarse con el aislante presente en cada kit.



Instalación

- Esta unidad puede instalarse suspendida del techo o montada en la pared.
- Esta unidad puede instalarse horizontalmente, como se indica en el siguiente diagrama. (Cara B hacia arriba) Sin embargo, puede instalarse libremente en cualquier dirección hacia delante, hacia atrás o lateralmente.
- Asegúrese de dejar un espacio libre de 600 mm para reparación e inspección, como se muestra en el siguiente diagrama, con respecto instalaciones suspendidas del techo y montadas sobre muro.
- Esta unidad “no requiere tratamiento de drenaje” ya que utiliza tratamiento de espuma interna como aislante de canalizaciones de baja presión.
- La dirección de servicio es la cara B y C
- La canalización hacia la unidad interior debe dirigirse hacia la dirección A
- La inclinación de la cara B debe estar en un ángulo comprendido entre ± 5 grados hacia delante, hacia atrás o lateralmente.

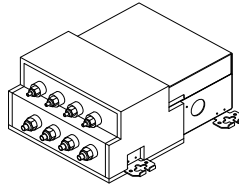


Instalación de la unidad principal

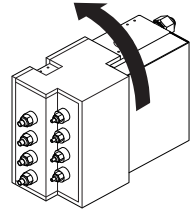
AVISO :

- Esta unidad se puede instalar de dos formas diferentes: (1) Suspendida del techo y (2) mediante montaje en muro.
- Elija la mejor opción según el emplazamiento de la instalación.
- Es posible cambiar el lugar de instalación de la placa de circuito impreso.

Siga el procedimiento especificado en la sección "CONEXIÓN DEL CABLEADO" para cambiar la ubicación.

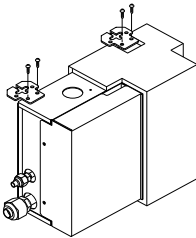
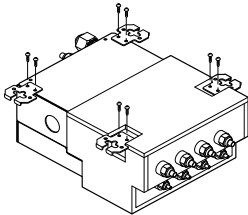


(1) Instalación mediante suspensión del techo

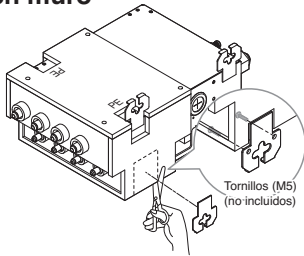


(2) Instalación mediante montaje en muro

(1) Instalación mediante suspensión del techo



(2) Instalación mediante montaje en muro

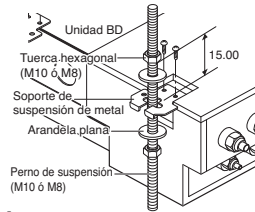


Tornillos (M5)
(no incluidos)

Procedimiento

- (1) Fije los soportes de suspensión de metal suministrados mediante dos tornillos. (4 posiciones en total).
- (2) Utilizando un anclaje de inserción, cuelgue el perno de suspensión.
- (3) Instale una tuerca hexagonal y una arandela plana (no incluidas) en el perno de suspensión, como muestra la figura de la izquierda, y eleve la unidad principal sobre el soporte de suspensión de metal.
- (4) Después compruebe con un nivel, la horizontalidad de la unidad, y apriete la tuerca hexagonal.

* La inclinación de la unidad deberá estar ajustada entre $\pm 5^\circ$ en la parte frontal/posterior e izquierda/derecha.



Procedimiento

- (1) Fije los soportes de suspensión de metal con dos tornillos. (3 posiciones en total).
- (2) Fije la unidad con los tornillos para madera suministrados tras comprobar la horizontalidad de la unidad con un nivel.

* La inclinación de la unidad deberá estar ajustada entre $\pm 5^\circ$ en la parte frontal/posterior e izquierda/derecha.

* Selle las partes de los huecos de la suspensión (2 lugares) empleando aislante PE una vez suspendida.

⚠ PRECAUCIÓN

- Una vez ajustado el tornillo en su hueco mediante martillado en la unidad principal, asegúrese de volver a ajustarlo o cubrirlo con cinta de aluminio. (Para evitar la condensación)
- Asegúrese de instalar la unidad con el lado del techo hacia arriba.
- No instale la unidad cerca de dormitorios, ya que el flujo de refrigerante a través de las tuberías puede ser audible.

Conexión del cable entre las Unidades Interior, Distribuidor y Exterior

Conecte el cable a la unidad interior

Conecte el cable a la unidad interior conectando por separado los cables a los terminales del panel de control de acuerdo con la conexión de la unidad exterior. (Asegúrese de que el color de los cables de la unidad exterior y el número de terminal son los mismos que los de la unidad interior).

El cable de toma a tierra debe ser más largo que el resto de los cables.

El esquema del circuito no está sujeto a cambio sin previo aviso.

Cuando realice la instalación, consulte el esquema eléctrico situado detrás del panel frontal de la unidad interior.

El cableado para la unidad exterior puede encontrarse en el interior de la cubierta de control de la unidad exterior.



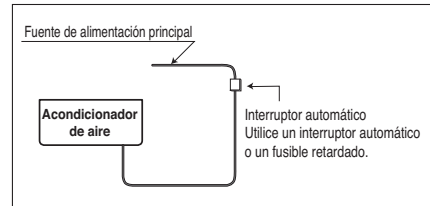
Recomendación:

- El esquema del circuito no está sujeto a cambio sin previo aviso.
- Asegúrese de conectar los cables de acuerdo con el esquema de cableado.
- Conecte firmemente los cables de manera que no puedan sacarse fácilmente.
- Conecte los cables de acuerdo con los códigos de color consultando el esquema de cableado.



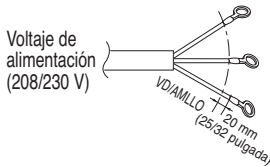
Recomendación: Instale un interruptor automático entre la fuente de alimentación y la unidad exterior como se muestra a continuación.

Capacidad unidad exterior (Btu/h clase)	Fuente de alimentación	Fusible o interruptor
18/24 k	1Ø,208/230 V	20 A
30/36 k	1Ø,208/230 V	25 A
48/54 k	1Ø,208/230 V	40 A
60 k	1Ø,208/230 V	45 A



Recomendación: El cable de alimentación conectado a la unidad exterior debe cumplir las siguientes normas : Reconocido por NRTL (por ejemplo, reconocido por UL o ETL y con certificación CSA).

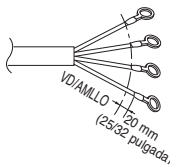
■ Cable de alimentación



Como siempre, la selección final el cable se hará cumpliendo con la normativa local y la instalación será realizada por un profesional con licencia.

	El mínimo tamaño de cable recomendado
18/24 kBtu/h	AWG 14-3
30/36 kBtu/h	AWG 12-3
48/54 kBtu/h	AWG 10-3
60 kBtu/h	AWG 8-3

■ Cable de conexión



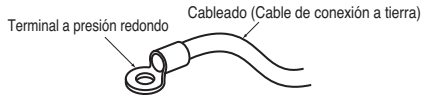
El cable de conexión de alimentación entre las unidades interiores y exteriores cumplirá con las siguientes especificaciones: reconocido por NRTL (por ejemplo, reconocido por UL o ETL y con certificación CSA). AWG 18-4 es el tamaño de cable mínimo recomendado, pero los conductores seleccionados deben cumplir con la normativa local y serán adecuados para la instalación en condiciones de humedad.



Recomendación: Cuando utilice el cable independiente como cable de alimentación, fije éste en el panel de la caja de control utilizando una abrazadera plástica como elemento de fijación.

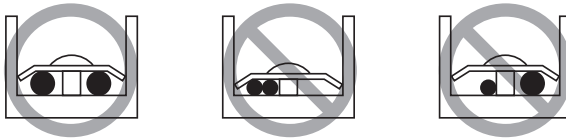
◆ Precauciones a tener en cuenta durante la disposición del cableado de alimentación y conexión a tierra

Utilice terminales de presión redondos para las conexiones al bloque del terminal de corriente. Al tender el cableado de conexión a tierra, debe utilizar terminales de presión redondos.



Cuando no estén disponibles, siga las instrucciones que se exponen a continuación.

- No conecte cableado eléctrico con diferentes grosores al bloque de terminales de corriente eléctrica. (Las holguras en el cableado eléctrico pueden ocasionar un calentamiento anormal.)
- Al conectar un cableado eléctrico del mismo grosor, siga estas instrucciones:



- Para cablear, utilice el cable de alimentación designado y conecte firmemente, y asegure a fin de evitar la que la presión exterior se ejerza en el bloque de terminales.
- Utilice un destornillador adecuado para apretar los tornillos del terminal. Un destornillador con cabeza pequeña arrancará la misma e imposibilitará tensar de manera adecuada.
- Sobre tensar los tornillos del terminal puede romperlos.

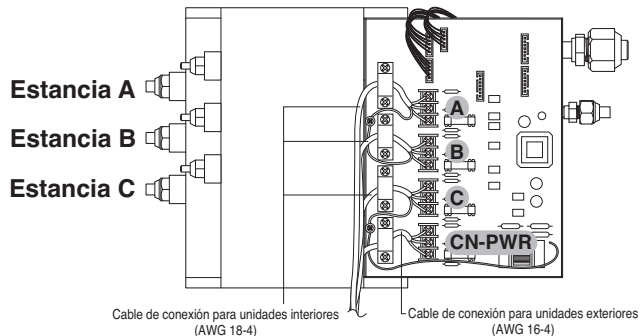
Conecte el cable a la unidad Distribuidor

- Conecte los conductos de refrigerante y los cables de conexión de esta unidad, a los puertos apropiados señalados mediante marcas alfabéticas coincidentes (A, B y C)
- Siga las instrucciones de la placa de identificación de cableado para la conexión de los cables de las unidades interior/exterior a los números de terminal de la placa. (1, 2 y 3) Fije siempre cada cable de puesta a tierra con un tornillo de puesta a tierra independiente. (Consulte la siguiente ilustración.)
- Tras completar la instalación eléctrica, fije el recubrimiento exterior de los cables de forma segura mediante abrazaderas. El lado de la unidad interior está equipado con abrazaderas para cable. Siga el procedimiento descrito a continuación para la instalación.
- Consulte el diagrama del circuito en el interior de la tapa de control de la unidad exterior.

AVISO :

Los números de terminal de la placa están dispuestos de arriba abajo según el orden 1, 2 y 3.

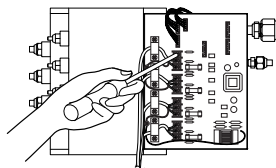
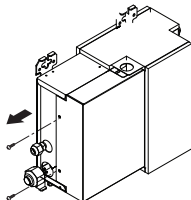
En el caso de 3 estancias



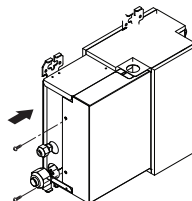
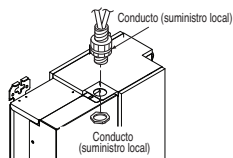
⚠ ADVERTENCIA
 No utilice cables encintados, pelados, alargadores o conexiones en mal estado, ya que podrían producir recalentamiento, cortocircuitos o incendios.

ESPAÑOL

- (1) Extraiga la cubierta de control. Afloje los dos tornillos, y deslice la cubierta en la dirección de la flecha.
- (2) Tirar del cable de conexión a través del conducto. Una vez el conducto haya pasado a través del panel, asegure la tuerca en el lado opuesto del mismo. Pase el cable de conexión a través del agujero.
- (3) Ejecute la conexión eléctrica teniendo como referencia el diagrama de cableado situado en la cubierta de control de la unidad exterior. Deje 300 mm (11 13/16 pulgada) para extraer la sección del arnés de cableado. Fije completamente los cables mediante abrazaderas (4 posiciones).

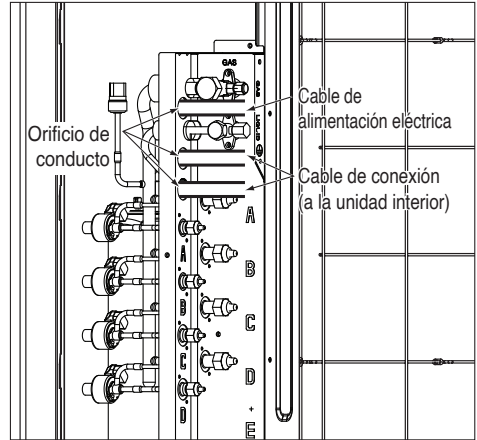


- (4) Introduzca la cubierta en la dirección de la flecha y apriete los tornillos.

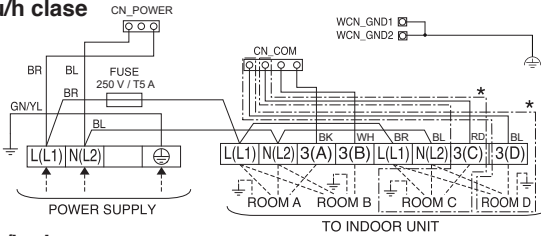


Conecte el cable a la unidad exterior

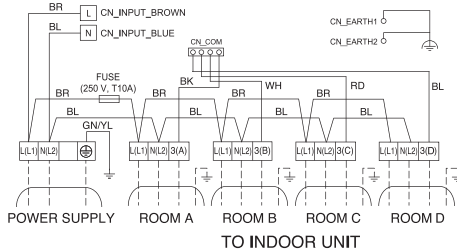
1. Retire la cubierta de control de la unidad aflojando el tornillo.
Conecte por separado los cables a los terminales en la placa de control de la siguiente manera.
2. Fije el cable a la placa de control con el soporte (abrazadera).
3. Vuelva a montar la cubierta de control en su posición original con el tornillo.



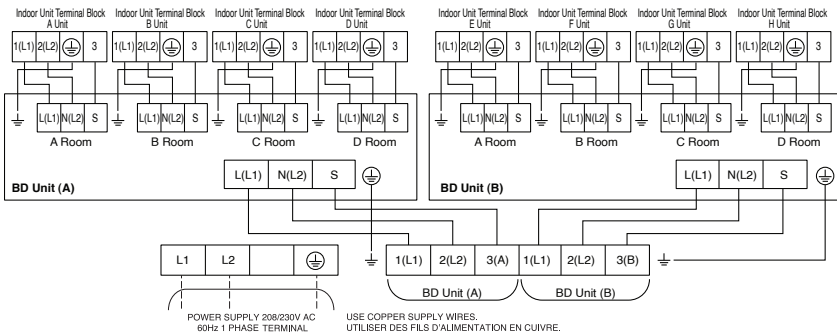
18/24 kBtu/h clase



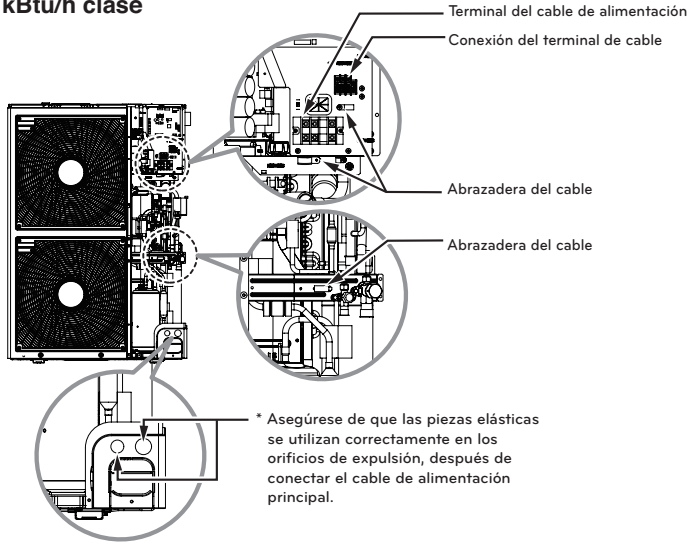
30/36 kBtu/h clase



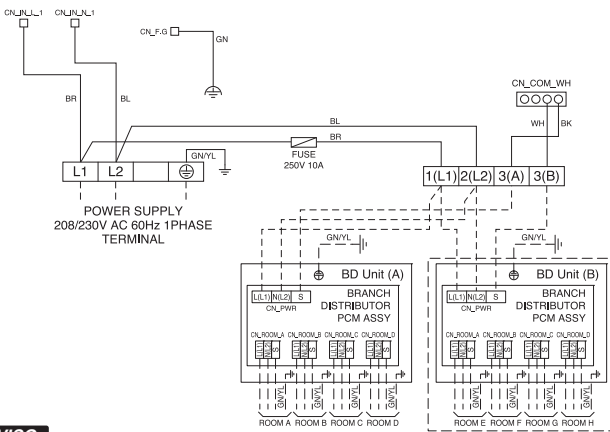
48/54 kBtu/h clase



60 kBtu/h clase



ESPAÑOL



AVISO :

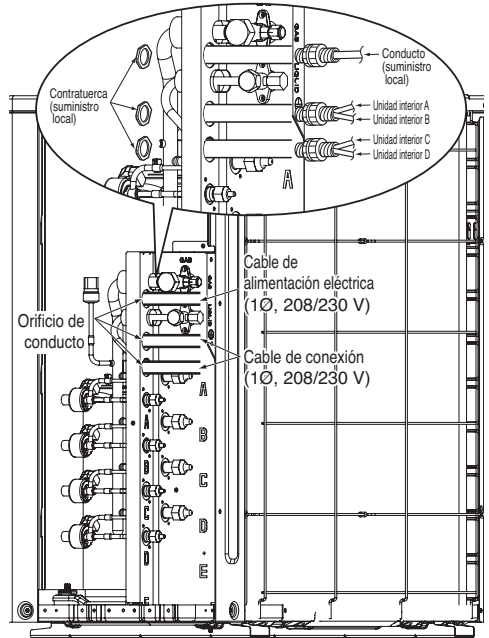
1. Utilice cable de conexión listado en NRTL (UL, ETL, CAS...) y conductores de cobre trenzados (4) THHN, camisa de PVC resistente a la luz solar (UV) que cumpla con ROHS y que se pueda enterrar directamente, con aprobación para condiciones de humedad. Capacidad de temperatura para -20 °C (-4 °F) a 90 °C(194 °F). El cable se introducirá en un conducto.

⚠ ADVERTENCIA

- Asegúrese de cumplir con la legislación local al conectar el cable desde la unidad interior a la unidad exterior (tamaño del cable y método de cableado, etc.).
- Todos los cables deben conectarse firmemente.
- No permita que ningún cable entre en contacto con la tubería de refrigerante, el compresor o cualquier parte móvil.
- El cableado de comunicación del aire acondicionado estará separado y aislado del cableado eléctrico de aparatos externos, como ordenadores, ascensores, aparatos de emisión de radio y televisión, además de oficinas de imágenes para fines médicos.

Método de conexión del cable de conexión (Ejemplo)

- (1) Retire el panel deslizable del panel del conducto. (para línea de baja tensión)
- (2) Tirar del cable de conexión a través del conducto
- (3) Una vez el conducto haya pasado a través del panel, asegure la tuerca en el lado opuesto del mismo.
- (4) Pase el cable de conexión a través del agujero.
- (5) Conecte adecuadamente el cable en el bloque de terminales.
- (6) Fije el cable de conexión con la abrazadera suministrada con la unidad para que no se deforme en el terminal cuando el cable de conexión se estire hacia afuera con un peso de hasta 35 libras.



⚠ ADVERTENCIA

Si los cables están flojos puede que el terminal se sobrecaliente o se produzca un funcionamiento defectuoso de la unidad. También puede producirse un incendio. Por lo tanto, asegúrese de que todos los cables están conectados correctamente.

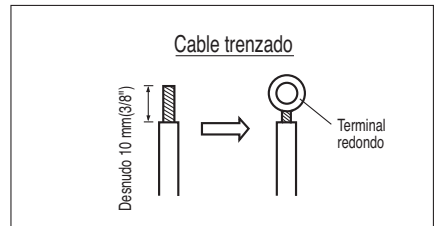
Cuando conecte cada cable de alimentación al terminal correspondiente, siga las instrucciones "Cómo conectar los cables a los terminales" y asegure el cable firmemente con el tornillo de fijación de la placa de terminales.

Cómo conectar los cables a los terminales

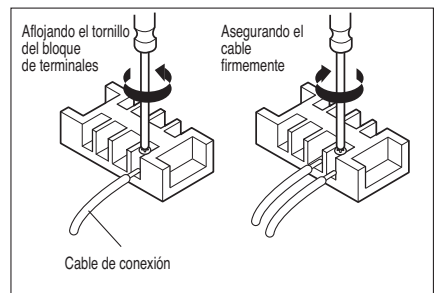
⇒ Para cable trenzado

- (1) Corte el extremo del cable con un cortador de cables o unos alicates de corte de cables y, a continuación, retire el aislamiento para que el cable trenzado quede desnudo unos 10 mm (3/8").
- (2) Utilizando un destornillador, retire el tornillo o tornillos de la placa de terminales.
- (3) Utilizando una abrazadera o alicates para terminal redondo, fije firmemente cada extremo de cable desnudo con un terminal redondo.
- (4) Posicione el cable del terminal redondo y reemplace y apriete el tornillo del terminal utilizando un destornillador.

Cable de alimentación



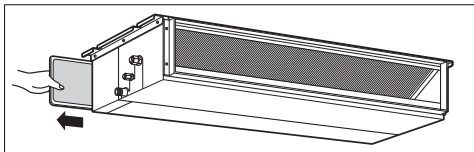
Cable de conexión



Comprobación del drenaje, formación de tuberías y ajuste de la tubería larga

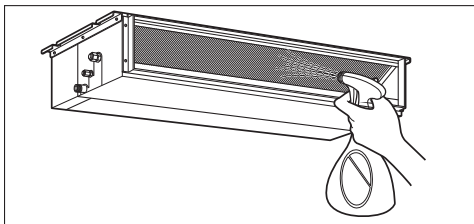
Comprobación del drenaje

1. Comprobación del drenaje



2. Compruebe el drenaje

- Rocíe uno o dos vasos de agua sobre el evaporador.
- Asegúrese de que el agua fluye por el tubo de drenaje de la unidad interior sin fugas.



* La imagen pueden variar según el modelo

Formación de las tuberías

Forme las tuberías encintando el tramo de conexión de la unidad interior con material de aislamiento y asegúrelas con dos tipos de cinta de vinilo.

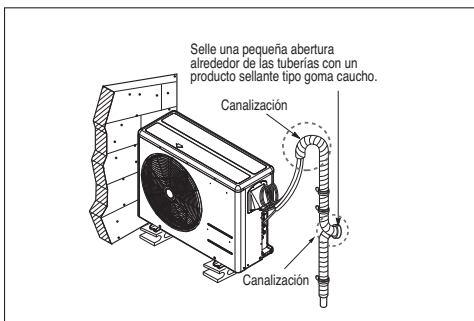
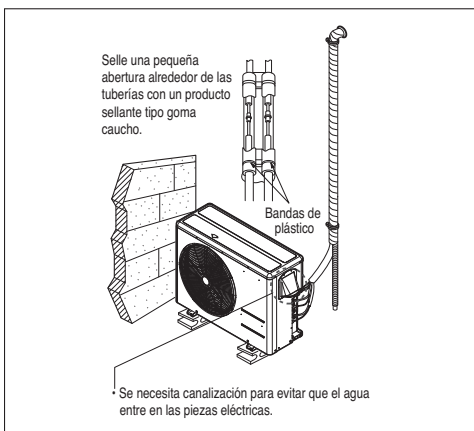
- Si desea conectar una manguera de drenaje adicional, el extremo de la salida de drenaje debe dirigirse por encima del nivel del terreno. Si desea instalar los cables a ser conectado al Salón Conduit.

En caso de que la unidad exterior se instale por debajo de la unidad interior, haga lo siguiente.

1. Encinte las tuberías, la manguera de drenaje y el cable de conexión de abajo hacia arriba.
2. Fije la tubería encintada sobre la pared exterior utilizando placas de apoyo o similares.

En caso de que la unidad exterior se instale por encima de la unidad interior, haga lo siguiente.

1. Encinte las tuberías y el cable de conexión de abajo hacia arriba.
2. Fije la tubería encintada sobre la pared exterior. Forme un sifón para evitar la entrada de agua en la habitación.
3. Fije la tubería sobre la pared con placas de apoyo o similares.



Purga de aire y evacuación

El aire y la humedad que permanecen en el sistema refrigerante tienen efectos indeseables como se indica a continuación.

1. Aumenta la presión en el sistema.
2. Aumenta el consumo eléctrico.
3. Disminuye la eficacia de enfriamiento (o calentamiento).
4. La humedad en el circuito refrigerante puede congelar y bloquear los tubos capilares.
5. El agua puede provocar la corrosión de piezas del sistema refrigerante.

Por lo tanto, debe comprobarse la estanqueidad en la unidad interior/exterior y la tubería de conexión y realizarse un vacío para evitar la condensación de gas y humedad en el sistema.

Método de comprobación

Preparación

- Compruebe que cada tubería (tuberías de lado líquido y lado gas) entre la unidad interior y exterior se ha conectado adecuadamente y que se ha completado todo el cableado para la prueba de funcionamiento. Retire los tapones de la válvulas de servicio del lado gas y del lado líquido en la unidad exterior. Compruebe que las válvulas de servicio del lado gas y del lado líquido de la unidad exterior permanecen cerradas en este paso.

Prueba de fugas

- Conecte la válvula múltiple (con manómetros) y el cilindro de gas nitrógeno seco a este puerto de servicio con las mangueras de carga.

⚠ PRECAUCIÓN

Utilice una válvula múltiple para realizar la prueba de fugas. La válvula múltiple del lado superior siempre debe mantenerse cerrada.

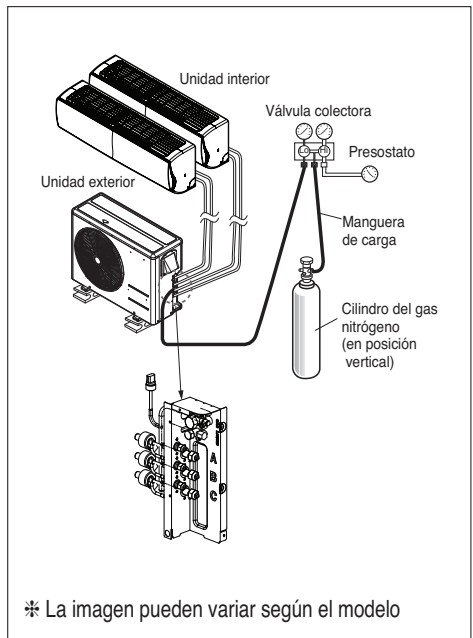
- Presurice el sistema a no más de 550 P.S.I.G. con gas de nitrógeno seco y cierre la válvula del cilindro cuando la lectura alcance 550 P.S.I.G. A continuación, compruebe la existencia de fugas con jabón líquido.

⚠ PRECAUCIÓN

Para evitar la entrada de nitrógeno en estado líquido al sistema refrigerante, la parte superior del cilindro debe estar más alta que la parte inferior cuando presurice el sistema. Normalmente, el cilindro se utiliza en posición vertical.

AVISO : La prueba de fugas debe realizarse por separado para cada conjunto de conexiones de la unidad interior.

1. Realice la prueba de fugas de todas las uniones de la tubería (interior y exterior) y de las válvulas de servicio de lado gas y lado líquido. Las burbujas indican una fuga. Asegúrese de limpiar el jabón con un paño limpio.
2. Después de que el sistema esté libre de fugas, reduzca la presión de nitrógeno aflojando el conector de la manguera de carga en el cilindro de nitrógeno. Cuando la presión del sistema se reduzca a normal, desconecte la manguera del cilindro.



Evacuación

1. Conecte el extremo de la manguera de carga como se describe en los pasos anteriores a la bomba de vacío para evacuar las tuberías y la unidad interior. Confirme que la perilla "Lo" de la válvula múltiple está abierta. A continuación, ponga en marcha la bomba de vacío.

El tiempo necesario para la evacuación varía en función de la longitud de las tuberías y de la capacidad de la bomba.

La tabla siguiente muestra el tiempo necesario para la evacuación.

Tiempo necesario para la evacuación cuando se usa una bomba de vacío de 30 galones/h	
Si el tubo mide menos de 10 m (33 ft)	Si el tubo mide más de 10 m (33 ft)
Menos de 0.5 Torr	Menos de 0.5 Torr

2. Cuando se alcance el vacío deseado, cierre la perilla "Lo" de la válvula múltiple y detenga la bomba de vacío.

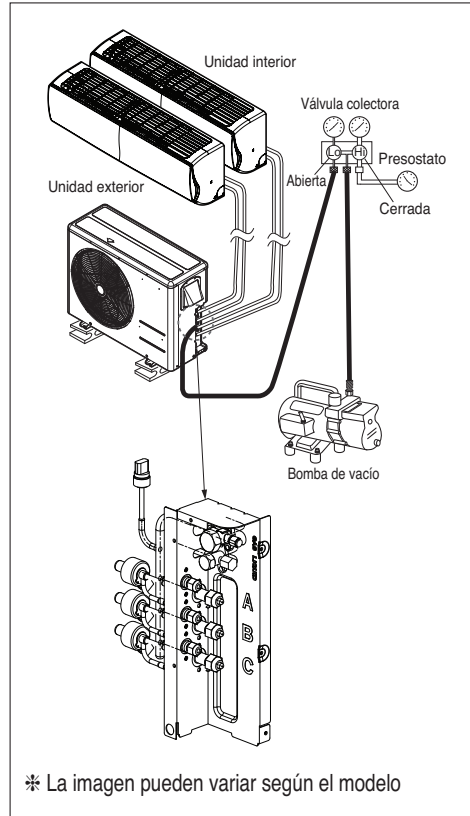
Finalización del trabajo

1. Con una llave de tuercas para la válvula de servicio, gire el vástago de la válvula de lado líquido en sentido contrario a las agujas del reloj para abrir completamente la válvula.
2. Gire el vástago de la válvula de lado gas en sentido contrario a las agujas del reloj para abrir completamente la válvula.
3. Afloje ligeramente la manguera de carga conectada al puerto de servicio del lado gas para liberar la presión y, a continuación, retire la manguera.
4. Sustituya la tuerca de unión y su tapa del puerto de servicio del lado gas y apriete firmemente la tuerca de unión con una llave de tuercas ajustable. Este proceso es muy importante para evitar fugas en el sistema.
5. Sustituya las tapas de las válvulas de servicio del lado gas y del lado líquido y apriételas con fuerza.

Esto completa la purga de agua con una bomba de vacío.

El aire acondicionado está ahora preparado para la prueba de funcionamiento.

AVISO : Repita el proceso de evacuación para cada unidad interior.



Carga

■ Si la longitud total de los conductos instalados es mayor que la longitud total estándar, se necesita una carga adicional de refrigerante.

No es necesario hacer una carga adicional de refrigerante si la longitud total de los conductos está por debajo de la longitud estándar.

Tipo canalización múltiple

Unidad : m(ft)

Capacidad unidad exterior (Btu/h clase)	Longitud máxima total de todas las tuberías(A+B)/(A+B+C)/(A+B+C+D)	Longitud máxima de cada tubería (A/B/C/D)	Longitud mínima de cada tubería (A/B/C/D)	Refrigerante adicional Unidad : g/m (oz/ft)	Longitud total estándar de los conductos (No añadir refrigerante)
18 k	50(164)	25(82)	3(9.8)	20(0.22)	30(98.4)
24 k	70(230)	25(82)	3(9.8)	20(0.22)	30(98.4)
30 k	75(246)	25(82)	3(9.8)	20(0.22)	30(98.4)
36 k	75(246)	25(82)	3(9.8)	20(0.22)	30(98.4)

Tipo distribuidor

Unit : m(ft)

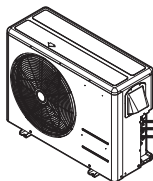
Capacidad unidad exterior (Btu/h class)	Longitud tubería principal			Longitud tubería secundarios	
	Longitud estándar	Sin carga	Refrigerante adicional Unité: g/m(oz/ft)	Longitud estándar	Refrigerante adicional Unité: g/m(oz/ft)
48 k	5(16.4)	5(16.4)	50(0.54)	5(16.4)	20(0.22)
54 k	5(16.4)	5(16.4)	50(0.54)	5(16.4)	20(0.22)
60 k	5(16.4)	15(49.2)	50(0.54)	5(16.4)	20(0.22)

Importante:

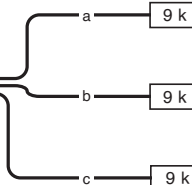
Si por alguna razón no está seguro de la carga de la unidad, recupere, evacúe y pese la carga correcta usando la cantidad de carga que se especifica en la etiqueta de especificación de la unidad.

Tipo canalización múltiple

Carga adicional(oz) = (Longitud total de los tubería instalados - Longitud total estándar de los tubería) x 0.22



EX) A3UW24GFA0



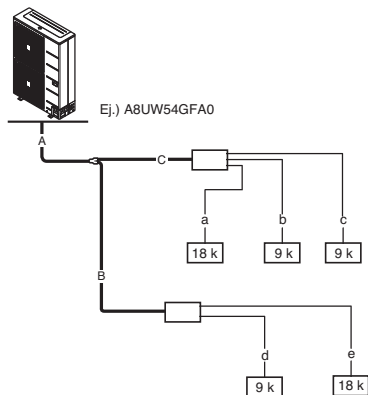
Cada tubería secundario
 a = 82 ft
 b = 16 ft
 c = 49 ft

Carga adicional
 = {(82+16+49)-74} x 0.22 = 16.06 oz

Modelos tipo distribuidor

Carga adicional (oz) = $((\text{Longitud total de tubería principales} - \text{Longitud estándar principal}) \times 0.55$
 $+ (\text{Longitud de la derivación de la estancia A} - \text{Longitud estándar}) \times 0.22$
 $+ (\text{Longitud de la derivación de la estancia B} - \text{Longitud estándar}) \times 0.22$
 $+ (\text{Longitud de la derivación de la estancia C} - \text{Longitud estándar}) \times 0.22 + \dots)$
 $- \text{CF (Factor de corrección)} \times 3.53$

* CF = número máx. de unidades interiores conectables - Número total de unidades interiores conectadas



- Canalización principal total (A+B+C) = 98 ft
- Cada tubería secundario
 - a = 33 ft
 - b = 26 ft
 - c = 16.4 ft
 - d = 10 ft
 - e = 33 ft

❖ Carga adicional

$$= ((98-16.4) \times 0.55 + (33-16.4) \times 0.22$$

$$+ (26-16.4) \times 0.22 + (16.4-16.4) \times 0.22$$

$$+ (10-16.4) \times 0.22 + (33-16.4) \times 0.22)$$

$$- (8-5) \times 3.53 = 42.3 \text{ oz}$$

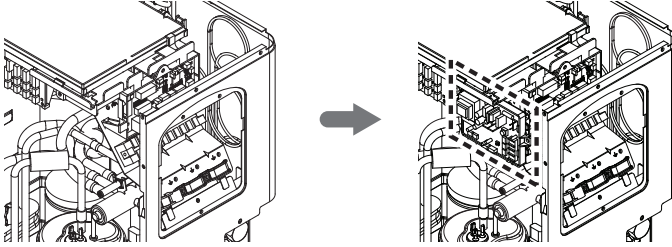
* Si el valor total de carga adicional resultara negativo tras el cálculo, no considere la carga adicional.

Instalación Del PI485

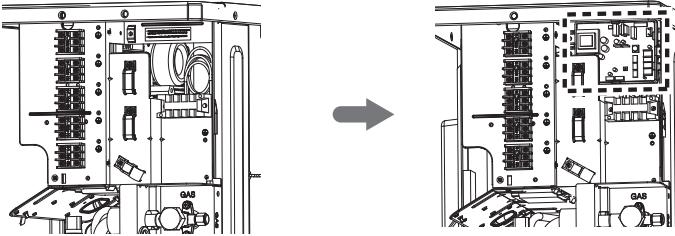
Instale la PCI PI485 como se muestra en la ilustración.

Para obtener el método de instalación detallada, consulte el Manual de instalación del PI485.

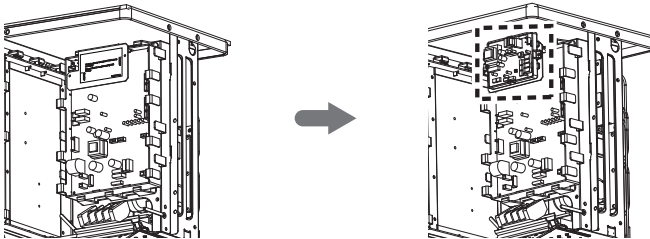
18 kBtu/h, 24 kBtu/h



30 kBtu/h, 36 kBtu/h



48 kBtu/h, 54 kBtu/h



60 kBtu/h

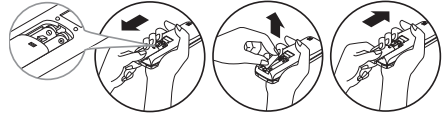


Comprobación

- Compruebe todas las tuberías y el cableado para verificar que han sido debidamente conectadas.
- Compruebe que las válvulas del gas y del líquido están totalmente abiertas.

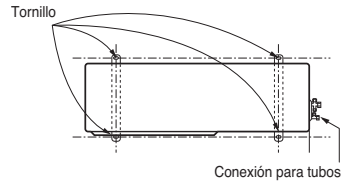
Prepare el mando a distancia

Quite la tapa de las pilas estirando de ellas de acuerdo con la dirección que marca la flecha. Inserte las nuevas pilas asegurándose de que los polos (+) y (-) se instalan correctamente. Vuelva a acoplar la tapa empujándola hacia atrás en su posición.



AVISO :

- Use 2 pilas AAA (1.5 voltios). No utilice pilas recargables.
- Saque las pilas del mando a distancia si el sistema no va a ser utilizado durante un largo periodo de tiempo.



Evaluación del rendimiento

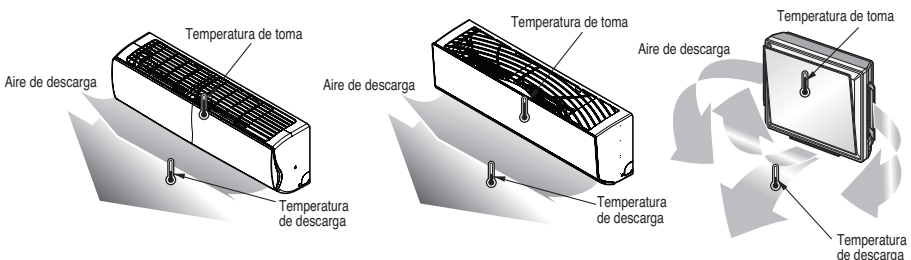
Ponga en funcionamiento la unidad durante 15-20 minutos. A continuación, compruebe la carga del refrigerante del sistema:

- Mida la presión de la válvula de servicio del gas.
- Mida la temperatura de la toma y descarga del aire.
- Asegúrese de que la diferencia entre la temperatura de la toma y la de la descarga es superior a los 8 °C.
- Referencia: La presión del gas en condiciones óptimas es la siguiente (para enfriar)

Refrigerante	Temp ambiente exterior	Presión de la válvula de servicio del gas
R410A	35 °C (95 °F)	8.5~9.5 kg/cm ² G (120~135 P.S.I.G.)

AVISO :

Si la presión real es superior a la mostrada, el sistema sufrirá por la excesiva carga a la que se ve sometido y debería eliminarse la carga. Si la presión real es inferior a la mostrada, es muy posible que el sistema esté infra-cargado, por lo que debería añadirse carga. El aire acondicionado ya está listo para ser utilizado.



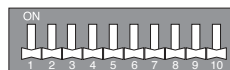
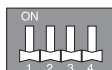
Función

Configuración del interruptor DIP

Si configura el interruptor DIP cuando la alimentación está encendida, los cambios no se aplicarán. Todo cambio de configuración se activa solo cuando se reinicia la alimentación.

18/24/30/36/48/54 k

60 k



Interruptor DIP	Función				
	1	2	3	4	
					Funcionamiento normal (Sin función)
					Funcionamiento en modo refrigeración forzada
					Comprobación de un error de cableado
					Ahorro de energía (Paso 1)
					Ahorro de energía (Paso 2)
					Bloqueo de modo (refrigeración)
					Bloqueo de modo (calefacción)
					Modo noche (Paso 1)
					Modo noche (Paso 2)
					Bloqueo de modo (Refrigeración) + modo noche (Paso 1)
					Bloqueo de modo (Refrigeración) + modo noche (Paso 2)
					Bloqueo de modo (Refrigeración) + modo ahorro de energía (Paso 1)
					Bloqueo de modo (Refrigeración) + modo ahorro de energía (Paso 2)
					Bloqueo de modo (Calefacción) + modo ahorro de energía (Paso 1)
					Bloqueo de modo (Calefacción) + modo ahorro de energía (Paso 2)

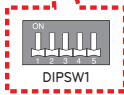
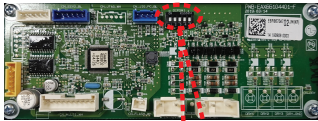
⚠ ADVERTENCIA

Cuando configure el interruptor DIP, apague el disyuntor o pare la fuente de alimentación del producto.

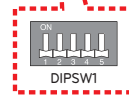
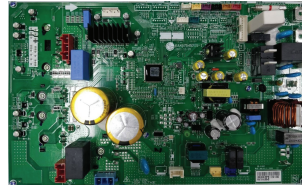
⚠ PRECAUCIÓN

- Si el interruptor DIP correspondiente no está configurado de manera adecuada, el producto podría no funcionar .
- Si desea configurar una función específica, solicite del instalador que configure el interruptor DIP de manera adecuada durante la instalación.

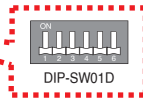
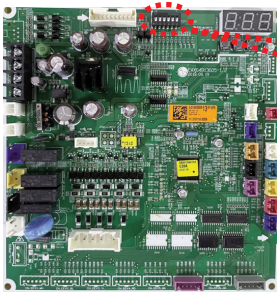
18/24(1Ø) kBTu/h



30/36(1Ø) kBTu/h



48/54/60(1Ø) kBTu/h

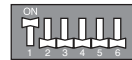
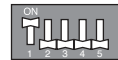


Funcionamiento en modo refrigeración forzada

Añada el refrigerante en invierno.

Proceso de configuración

1. Configure el interruptor DIP de la manera siguiente tras parar la fuente de alimentación.
2. Reinicie la alimentación
3. Compruebe que el LED rojo del PCB está encendido durante la operación.
(La unidad interior funciona de manera forzada)
4. Añada la cantidad específica de refrigerante.



⚠ PRECAUCIÓN

- Si el LED verde del PCB está encendido, el compresor se apagará debido a la falta de presión.
- Deberá hacer funcionar normalmente de nuevo el interruptor DIP tras finalizar la operación.

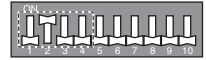
Comprobación de un error de cableado

Puede comprobar si el cableado es correcto o no.

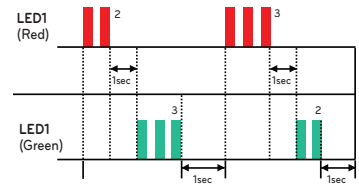


Proceso de configuración

1. Configure el interruptor DIP de la manera siguiente tras para la fuente de alimentación.
2. Reinicie la alimentación
3. Compruebe que los LEDs rojo y verde del PCB están encendidos durante la operación (La unidad interior funciona de manera forzada)
4. Si el cableado es correcto, el LED verde se encenderá.
Si el cableado no es correcto, visualice a continuación



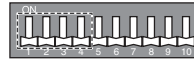
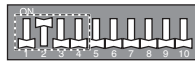
- LED rojo : número de conducto
- LED verde : número de cableado (Habitación)



Ejemplo)

Si el LED rojo parpadea dos veces y el LED verde tres, el segundo conducto está conectado a la tercera habitación.

5. Deberá hacer funcionar normalmente de nuevo el interruptor DIP tras finalizar la comprobación del error de cableado.

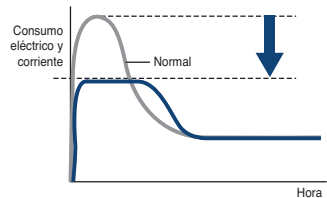


⚠ PRECAUCIÓN

- Si la unidad interior no se comunica con la unidad exterior, la función no se ejecutará de forma correcta.
- Solo se visualiza la conexión del cableado errónea. Debe modificar la conexión para que el producto funcione correctamente.
- Si las temperaturas exterior e interior son demasiado bajas en invierno, la función comprobación del error de cableado no se podrá ejecutar. (LED rojo alumbrando)

Ahorro de energía

El funcionamiento en modo ahorro de energía es la función que permite un funcionamiento eficiente al reducir el valor máximo del consumo eléctrico.



Proceso de configuración

1. Configure el interruptor DIP de la manera siguiente tras para la fuente de alimentación.
2. Reinicie la alimentación



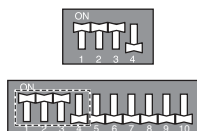
Paso 1

Paso 2

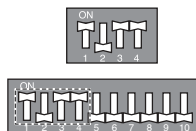
Nivel actual de ahorro de energía.

Fase	10		
Modelo	18/24 k	30/36 k	48/54 k
Paso 1(A)	9	13	26
Paso 2(A)	8	11	22

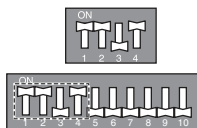
Ahorro de energía en bloqueo de modo.



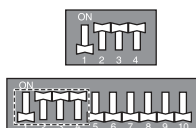
Ahorro de energía:
Consumo (Paso 1) +
bloqueo de modo
(Refrigeración)



Ahorro de energía:
Consumo (Paso 1) +
bloqueo de modo
(Calefacción)



Ahorro de energía:
Consumo (Paso 2) +
bloqueo de modo
(Refrigeración)



Ahorro de energía:
Consumo (Paso 2) +
bloqueo de modo
(Calefacción)

Modo noche

El funcionamiento en modo noche reduce el nivel acústico de la unidad exterior mediante modificación de la frecuencia del compresor y velocidad del ventilador. Esta función se ejecuta durante toda la noche.

Proceso de configuración

1. Configure el interruptor DIP de la manera siguiente tras parar la fuente de alimentación.



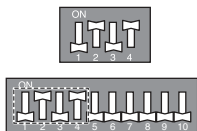
* Nivel acústico: paso 1 > paso 2

Paso 1

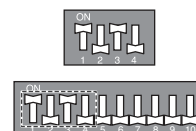
Paso 2

2. Reinicie la alimentación.

Modo noche en bloqueo de modo.



Bloqueo de modo
(Refrigeración) +
modo noche (paso 1)



Bloqueo de modo (Refrigeración) + modo noche (paso 2)

⚠ PRECAUCIÓN

- Si la frecuencia del compresor y la velocidad del ventilador son mínimas, la capacidad de refrigeración puede decrecer en consecuencia.
- Esta función solo está disponible en modo refrigeración.
- Si desea parar el modo noche, modifique el interruptor DIP.
- Si la unidad interior en funcionamiento se configura mediante la velocidad del ventilador “Power/Potencia”, el modo noche se parará hasta modificación de dicha velocidad.

Bloqueo de modo

Proceso de configuración

1. Configure el interruptor DIP de la manera siguiente tras parar la fuente de alimentación.



Solo modo refrigeración

Solo modo calefacción

2. Reinicie la alimentación.

Bloqueo de modo en modo noche



Bloqueo de modo (Refrigeración) + modo noche (Paso 1)



Bloqueo de modo (Refrigeración) + modo noche (Paso 2)



Ahorro de energía en bloqueo de modo.



Bloqueo de modo (Refrigeración) + ahorro de energía (Paso 1)



Bloqueo de modo (Calefacción) + ahorro de energía (Paso 1)



Bloqueo de modo (Refrigeración) + ahorro de energía (Paso 2)



Bloqueo de modo (Calefacción) + ahorro de energía (Paso 2)



Visualización PCB

Es útil comprobar los datos del ciclo sin LGMV.

Método de funcionamiento

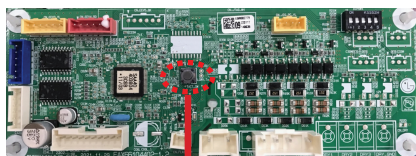
Cuando pulse el interruptor táctil, se visualizará la información relativa al ciclo de la manera siguiente.

※ Tras visualizar la página 1, se visualizará posteriormente la página 2.

Interrup- tor táctil	Elemento	Visualización		
		Ejemplo	1 página	2 página
1 hora	Baja presión	890 kpa	'LP'	'89'
2 hora	Alta presión	2 900 kpa	'HP'	'290'
3 hora	Temperatura de descarga	85 °C	'DS'	'85'
4 hora	Temperatura exterior	-10 °C	'CS'	'-10'
5 hora	Temperatura de aspiración	-10 °C	'SS'	'-10'
6 hora	Temperatura aire ODU	-10 °C	'AS'	'-10'
7 hora	Corriente	15 A	'A'	'15'
8 hora	Voltaje	230 V	'V'	'230'
9 hora	Compresor Hz	100 Hz	'F'	'100'
10 hora	Voltaje de conexión DC	230 V	'dc'	'230'

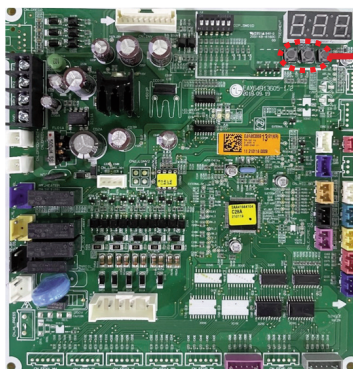
ESPAÑOL

18/24/30/36(1Ø) kBtu/h



TACT_SW

48/54/60(1Ø) kBtu/h



TACT_SW

⚠ ADVERTENCIA

Cuando pulse el interruptor táctil, utilice un material no conductor de electricidad.

Capacidad De Combinación Máxima

Tipo canalización múltiple

Capacidad (kBtu/h)	Nº máximo de estancias	Capacidad de combinación interior (kBtu/h)	Capacidad De Combinación Máxima (kBtu/h)
18	2	7,9,12,15	24
24	3	7,9,12,15,18,24	33
30	4	7,9,12,15,18,24	40
36	4	7,9,12,15,18,24	48

Tipo distribuidor

Phase	Capacidad (kBtu/h)	Nº máximo de estancias	Capacidad de combinación interior (kBtu/h)	Capacidad De Combinación Máxima (kBtu/h)
1Ø	48	8	7,9,12,15,18,24,36	65
1Ø	54	8	7,9,12,15,18,24,36	73
1Ø	60	8	7,9,12,15,18,24,36	83

La combinación de unidades interiores debe decidirse de tal forma que la suma del índice de capacidad de dichas unidades interiores debe ser menor que la capacidad de combinación máxima de la unidad exterior. Recomendamos calcular la capacidad de unidades interiores de la siguiente forma. Si no sigue nuestras recomendaciones, surgirán algunos problemas en condiciones de bajas temperaturas, por ejemplo, algunas unidades interiores no serán capaces de calentar correctamente en modo de calefacción.

MÉTODO DE CÁLCULO PARA LA OBTENCIÓN DE LA CAPACIDAD TOTAL DE UNIDADES DE INTERIOR CONECTABLES

Resumir la capacidad de todos los de la unidad interior, pero de alto tipo de conducto estático unidad interior pesos capacidad 1,3 veces en las que se multiplicador menos que sólo tenía / Vahu están conectados

- Ex) 1. Unidad exterior : A8UW54GFA0(LMU540HV)(capacidad máxima conectable es 73 kBtu)
 Unidad interior:
 AMNW24GBGA0[LMHN240HV], AMNW36GBGA0[LMHN360HV]
 $(24+36) \times 1.2 = 60 \times 1.2 = 72$ kBtu : esta combinación puede ser correcta.
2. Unidad exterior: A8UW54GFA0(LMU540HV)
 Unidad interior:
 AMNW24GBGA0[LMHN240HV], AMNW24GBGA0[LMHN240HV], LMN078HVT
 $[(24+24) \times 1.2] + 7 = [48 \times 1.2] + 7 = 69.4$ kBtu : esta combinación puede ser correcta.
3. Unidad exterior : A8UW54GFA0(LMU540HV)(capacidad máxima conectable es 73 kBtu)
 Unidad interior:
 AMNW24GBGA0[LMHN240HV], AMNW36GBGA0[LMHN360HV]
 $(24+36) \times 1.2 = 60 \times 1.2 = 72$ kBtu : esta combinación presenta algún problema.



US	1. Please call the installing contractor of your product, as warranty service will be provided by them. 2. If you have service issues that have not been addressed by the contractor, please call 1-888-865-3026.
CANADA	Service call Number # : (888) LG Canada, (888) 542-2623