



## OWNER'S MANUAL

# MICROWAVE OVEN

---



Before beginning installation, read these instructions carefully. This will simplify installation and ensure that the product is installed correctly and safely. Leave these instructions near the product after installation for future reference.

**ENGLISH**

MGBZ2593F



MFL72008801  
Rev.00\_070723

[www.lg.com](http://www.lg.com)

Copyright © 2023 LG Electronics Inc. All Rights Reserved.

# TABLE OF CONTENTS

This manual may contain images or content that may be different from the model you purchased.  
This manual is subject to revision by the manufacturer.

## IMPORTANT SAFETY INSTRUCTIONS

READ CAREFULLY AND KEEP FOR FUTURE REFERENCE ..... 3  
WARNING ..... 3  
CAUTION ..... 8  
CARING FOR THE ENVIRONMENT ..... 12

## INSTALLATION

Product Overview ..... 13  
Installation Requirements ..... 14  
Installing the Appliance ..... 14

## OPERATION

Control Panel ..... 19  
Before Use ..... 20  
Quick Start ..... 21  
Cooking Mode ..... 22  
Utensils Guide ..... 23  
Cooking Guide ..... 25

## TROUBLESHOOTING

FAQs ..... 26  
Before Calling for Service ..... 26

# IMPORTANT SAFETY INSTRUCTIONS

## READ CAREFULLY AND KEEP FOR FUTURE REFERENCE

The following safety guidelines are intended to prevent unforeseen risks or damage from unsafe or incorrect operation of the appliance. The guidelines are separated into '**WARNING**' and '**CAUTION**' as described below.

### Safety Messages



This symbol is displayed to indicate matters and operations that can cause risk.

Read the part with this symbol carefully and follow the instructions in order to avoid risk.

#### **WARNING**



This indicates that the failure to follow the instructions can cause serious injury or death.

#### **CAUTION**



This indicates that the failure to follow the instructions can cause the minor injury or damage to the appliance.



This symbol is displayed to alert that hot surface. Do not touch surfaces during use in order to prevent burn hazard.

## WARNING

### **WARNING**

- To reduce the risk of explosion, fire, death, electric shock, injury or scalding to persons when using this product, follow basic precautions, including the following:

### Technical Safety

- This appliance is not intended for use by persons (including children) with reduced physical, sensory or mental capabilities, or lack of experience and knowledge, unless they have been given supervision

## 4 IMPORTANT SAFETY INSTRUCTIONS

---

or instruction concerning use of the appliance by a person responsible for their safety.

- This appliance is not intended for use by persons (including children) with reduced physical, sensory or mental capabilities, or lack of experience and knowledge, unless they have been given supervision or instruction concerning use of the appliance by a person responsible for their safety. Children should be supervised to ensure that they do not play with the appliance.
- To reduce the risk of burns, electric shock, fire, injury to persons or exposure to excessive microwave energy when using the microwave oven, read all instructions before using the appliance.
- During use the appliance becomes hot. Care should be taken to avoid touching heating elements inside the oven. Children less than 8 years of age shall be kept away unless continuously supervised.
- Do not attempt to tamper with, or make any adjustments or repairs to the door, door seals, control panel, safety interlock switches or any other part of the oven which would involve the removal of any cover protecting against exposure to microwave energy.
- Only qualified service person from LG Electronics service centre should disassemble, repair, or modify the appliance.
- It is hazardous for anyone other than a competent person to carry out any service or repair operation that involves the removal of a cover which gives protection against exposure to microwave energy.
- Unlike other appliances, the microwave oven is a high-voltage and a high electrical-current piece of equipment. Improper use or repair could result in harmful exposure to excessive microwave energy or in electric shock.
- If the door or door seals are damaged, the oven must not be operated until it has been repaired by a competent person.
- Do not use your microwave oven to cook eggs in the shell. Pressure can build up inside the shell, causing it to burst.
- Liquids and other foods must not be heated in sealed containers since they are liable to explode. Remove the plastic wrapping from food before cooking or defrosting. Note though that in some cases food should be covered with plastic film, for heating or cooking.

- Do not use harsh abrasive cleaners or sharp metal scrapers to clean the oven door glass since they can scratch the surface, which may result in shattering of the glass.
- Keep the appliance and its cord out of reach of children less than 8 years.
- The appliance is not intended to be operated by means of an external timer or separate remote-control system.
- This appliance should not be used for commercial catering purposes. This appliance is intended to be used in household and similar applications such as:
  - Staff kitchen areas in shops, offices and other working environments;
  - Farm house;
  - By clients in hotels, motels and other residential environments;
  - Bed and breakfast type environments.
- Do not install this appliance inside mobile vehicles (camping cars).
- When heating food in plastic or paper containers, keep an eye on the oven due to the possibility of ignition.
- The contents of feeding bottles and baby food jars shall be stirred or shaken and the temperature checked before consumption, in order to avoid burns.
- Only use utensils that are suitable for use in microwave ovens. They may heat-up and char.
  - Remove metal twist ties before using the appliance.
  - Do not use wooden containers and ceramic containers that have metallic (e.g. gold or silver) inlays.
  - Metallic containers for food and beverages are not allowed during microwave cooking. Metal objects in particular may arc in the oven, which can cause serious damage.
- The microwave oven is intended for heating food and beverages. Drying of food or clothing and heating of warming pads, slippers, sponges, damp cloth and similar may lead to risk of injury, ignition or fire.

## 6 IMPORTANT SAFETY INSTRUCTIONS

---

- If smoke is observed (or emitted), switch off or unplug the appliance and keep the door closed in order to stifle any flame.
- Only use the temperature probe recommended for this oven.
  - You can not ascertain that the temperature is accurate with an unsuitable temperature probe.
  - This model does not provide a temperature probe.
- When heating liquids, e.g. soups, sauces and beverages in your microwave oven,
  - Avoid using straight sided containers with narrow necks.
  - Do not overheat.
  - Stir the liquid before placing the container in the oven and again halfway through the heating time.
  - Be careful when handling the container.

Microwave heating of beverages can result in delayed eruptive boiling, therefore care must be taken when handling the container.
  - After heating, let it stand in the appliance for a short time; stir or shake it again carefully and check the temperature of it before consuming to avoid burns (especially, contents of feeding bottles and baby food jars).
- The oven should be cleaned regularly and any food deposits removed. Failure to maintain the oven in a clean condition could lead to deterioration of the surface that could adversely affect the life of the appliance and possibly result in a hazardous situation.
- Cleaning and user maintenance shall not be made by children unless they are aged from 8 years and above and supervised.
- Steam cleaner is not to be used.
- During use the appliance becomes hot. Care should be taken to avoid touching heating elements inside the oven.
- Only allow children to use the oven without supervision when adequate instructions have been given so that the child is able to use the oven in a safe way and understands the hazards of improper use.

## Installation

- Ensure that the outlet socket is properly grounded, and that the earth pin on the power cord is not damaged or removed from the power plug. For more details on grounding, inquire at an LG Electronics customer information centre.
- This appliance must be earthed. The wires in the mains lead are coloured in accordance with the following codes:
  - BLUE: Neutral
  - BROWN: Live
  - GREEN and YELLOW: Earth
- As the colours of the wires in the mains lead of this appliance may not correspond with the coloured markings identifying the terminals in your plug proceed as follows:
  - The wire which is coloured BLUE must be connected to the terminal which is marked with the letter N or coloured BLACK.
  - The wire which is coloured BROWN must be connected to the terminal which is marked with the letter L or Coloured RED.
  - The wire which is coloured GREEN & YELLOW or GREEN must be connected to the terminal which is marked with the letter G or earth symbol.

 Earth symbol

- This appliance incorporates an earth connection for functional purposes.
- If the supply cord is damaged, it must be replaced by the manufacturer, its service agent or similarly qualified persons in order to avoid a hazard. Improper use may cause serious electric damage.
- The appliance is supplied from a cord extension set or an electrical portable outlet device, the cord extension set or electrical portable outlet device must be positioned so that it is not subject to splashing or ingress of moisture.
- If the power cord is damaged or the hole of the outlet socket is loose, do not use the power cord and contact an authorized service centre.

### Operation

- Children should not allow to play with accessories or hang down from the door or any part of the appliance.
- When the appliance is operated in the combination mode, children should only use the appliance under adult supervision due to the temperatures generated.
- Never operate the appliance when it is empty. Food or water should always be in the appliance during operation to absorb the microwave energy.
- Do not operate your appliance if it is damaged. It is particularly important that the oven door closes properly and that there is no damage to the: (1) door (bent), (2) hinges and latches (broken or loosened), (3) door seals and sealing surfaces. It could result in harmful exposure to excessive microwave energy.
- Do not use the appliance for the purpose of dehumidification. (ex. Operating the microwave oven with wet newspapers, clothes, toys, electric devices, pet or child etc.) It can be the cause of serious damage to safety such as a fire, a burn or a sudden death due to an electric shock.
- Be certain to use proper accessories on each operation mode. Improper use could result in damage to your appliance and accessories, or could make spark and a fire.

### CAUTION

---

#### CAUTION

- To reduce the risk of injury to persons, malfunction, or damage to the product or property when using the appliance, follow basic safety precautions, including the following:
- 

### Installation

- Install the appliance according to the installation requirements that are in this manual.

- According to the installation requirements set, otherwise the impact of heating, prone to danger.
- Install or locate this oven in accordance with the installation instructions provided.
- Allow at least 8 cm from the front of the oven door to avoid accidental tipping of the appliance.
- The turntable must always be in place when you operate the appliance.
- Do not block an exhaust outlet that is located on the top, bottom or side of the appliance.
- Do not place any object (such as kitchen towels, napkins, etc.) between the appliance front face and the door.
- In order to avoid a hazard due to inadvertent resetting of the thermal cut-out, this appliance must not be supplied through an external switching device, such as a timer, or connected to a circuit that is regularly switched on and off by the utility.

## Operation

- Do not touch the appliance (including the oven door, outer cabinet, rear cabinet, oven cavity, accessories and dishes) during grill mode, convection mode and auto cook operations. The temperature of accessible surfaces may be high when the appliance is operating. There is the danger of a burn unless wearing thick culinary gloves.
- Do not place an object (a book, a box, water bottle, vase etc.) on the appliance. The appliance may overheat or catch fire or the object may fall, causing injury to persons.
- Do not operate the appliance with the door open. It could result in harmful exposure to excessive microwave energy.
- Set the cooking times correctly. The small amounts of food require shorter cooking or heating time. Over cooking may result in the food catching on fire and subsequent damage to your appliance.
- Do not use recycled paper products. They may contain impurities which may cause sparks or fires when used in cooking.

## 10 IMPORTANT SAFETY INSTRUCTIONS

---

- Do not cook food wrapped in paper towels or newspaper, unless your cook book contains instructions for the food you are cooking.
- Do not use newspaper in place of paper towels for cooking.
- Do not use the appliance to dry newspapers or clothes. They may catch fire.
- Do not cook eggs in their shell. Eggs in their shell and whole hard-boiled eggs should not be heated in microwave ovens since they may explode, even after microwave heating has ended. Pressure will build up inside the egg which will burst.
- Do not attempt deep fat frying in your appliance. This could result in a sudden boil over of the hot liquid.
- Pierce the skin of potatoes, apples or any such fruit or vegetables before cooking. They could burst.
- If smoke is observed (or emitted), switch off or unplug the appliance and keep the door closed in order to stifle any flame.
- Follow exact directions given by each manufacturer for their popcorn product.
  - Never use a brown paper bag for popping corn.
  - Never attempt to pop leftover kernels.
  - Do not leave the appliance unattended while the corn is being popped.
  - If corn fails to pop after the suggested times, discontinue cooking.
  - Overcooking could result in the corn catching a fire.
- The power connection may be achieved by having the plug accessible or by incorporating a switch in the fixed wiring in accordance with the wiring rules. Using improper plug or switch can cause an electric shock or a fire.
- All air vents should be kept clear during cooking. If air vents are covered during appliance operation the appliance may overheat.
- When removing dishes from the microwave oven, be careful not to tip over or move the turntable.

## Maintenance

- If it is necessary to take precautions during user maintenance, appropriate details shall be given.
- Do not rinse containers, tray and rack by placing them in water immediately after cooking.
- Unplug the power plug and allow it to cool before cleaning.
- Always use gloves when removing food and accessories after cooking as the oven and accessories will be very hot.
- Allow the turntable to cool before removing it from the appliance.
- Do not allow food or cleaner residue to accumulate on sealing surfaces of the appliance.
- Keep the inside and outside of the appliance clean.

## Cleaning

Keep the oven clean inside and outside. Take special care to keep the inner door panel and the front frame free of food or grease build-up. Clean your oven weekly or more often, if needed.

- Abrasive cleansers, steel wool pads, gritty wash cloths, some paper towels, etc., can damage the control panel and the interior and exterior of the oven.

## Cleaning the Interior

Use a damp cloth to clean the surfaces of the door and wipe out crumbs between the door and the frame. Remove greasy spatters with a soapy cloth then rinse and dry.

- Wipe spatters immediately with a wet paper towel, especially after cooking chicken or bacon.
- If steam accumulates inside or outside of the oven door, wipe the panels with a soft cloth.

## Cleaning the Exterior

Clean the outside of the oven with soap and water. Rinse with clean water and dry with a soft cloth or paper towel.

- Do not allow the water to seep into the ventilation openings to prevent damage to the operating parts inside the oven.

- The door and door seals should be kept clean. Use only warm, soapy water, rinse then dry thoroughly.
- Frequently wipe metal parts with a damp cloth.

### **Cleaning the Control Panel**

Open the door to prevent the oven from accidentally starting. Wipe with a damp cloth followed immediately by a dry cloth. Press **STOP** or **STOP/Clear** after cleaning.

### **Cleaning the Accessories**

Wash the glass tray and rotating ring in mild, sudsy water. For heavily soiled areas, use a mild cleanser and scouring sponge. Dry completely before use.

- The glass tray and rotating ring are dishwasher safe.

## **CARING FOR THE ENVIRONMENT**

### **Disposal of Your Old Appliance**



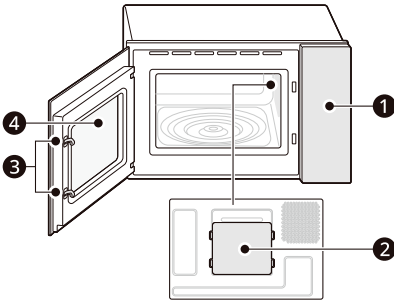
- This crossed-out wheeled bin symbol indicates that waste electrical and electronic products (WEEE) should be disposed of separately from the municipal waste stream.
- Old electrical products can contain hazardous substances so correct disposal of your old appliance will help prevent potential negative consequences for the environment and human health. Your old appliance may contain reusable parts that could be used to repair other products, and other valuable materials that can be recycled to conserve limited resources.
- You can take your appliance either to the shop where you purchased the product, or contact your local government waste office for details of your nearest authorised WEEE collection point. For the most up to date information for your country please see [www.lg.com/global/recycling](http://www.lg.com/global/recycling).

# INSTALLATION

## Product Overview

The appearance or components of the appliance may differ from model to model.

### Front View



- ❶ Control Panel
- ❷ Mica Sheet
- ❸ Safety Door Lock System
- ❹ Window

### ⚠ WARNING

- Do not operate the oven when it is empty or without the glass tray. It is best to leave a glass of water in the oven when not in use. The water will safely absorb all microwave energy, if the oven is accidentally started.

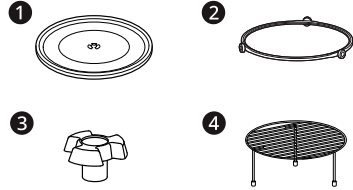
### ⚠ CAUTION

- To avoid risk of personal injury or property damage, do not use stoneware, metal cookware, or metal rimmed cookware in the oven.

### NOTE

- Do not remove the mica sheet from the inside cavity of the oven. It is there to protect the microwave components from food splatters.

## Accessories



- ❶ Glass Tray
- ❷ Rotating Ring
- ❸ Shaft
- ❹ Rack

### ⚠ CAUTION

- Do not use the microwave oven without the glass tray and rotating ring.

## Specifications

Power supply and power consumption may vary depending on the model purchased. Refer to the labels for details.

### MGBZ2593F

- **Microwave Output:** Max. 900 W\*<sup>1</sup>
- **Frequency:** 2 450 MHz\*<sup>2</sup>
- **Dimensions (W x H x D):** 592 mm x 396 mm x 388 mm
- **Power Supply:** 230 V~ 50 Hz
- **Power Consumption:** Microwave 1 450 W

\*1 IEC 60705 RATING STANDARD. Specifications are subject to change without prior notice.

\*2 Microwave Frequency: 2 450 MHz +/- 50 MHz (Group 2 / Class B)

Group 2 equipment: group 2 contains all ISM RF equipment in which radio-frequency energy in the frequency range 9 kHz to 400GHz is intentionally generated and used or only used,

## 14 INSTALLATION

---

in the form of electromagnetic radiation, inductive and /or capacitive coupling, for the treatment of material or inspection/analysis purposes.

Class B equipment is equipment suitable for use in domestic dwellings and domestic dwellings directly connected to a low voltage power supply network which supplies buildings used for domestic purposes.

---

### NOTE

- When operating at 100% and 80% power levels for prolonged periods, the output power will be reduced gradually to help prevent the unit from electrically overheating.
- 

## Installation Requirements

### Radio Frequency Interference

- When operating the microwave oven, If you use a product such as radio, TV, wireless LAN, Bluetooth, medical equipment, wireless equipment etc.
- Using the same frequency as the microwave oven, the product may receive interference from these products. This interference does not indicate a problem of the microwave or the product and is not a malfunction. Therefore, it is safe to use. However, medical equipment may receive interference as well, so use caution when using medical equipment near the product.

## Installing the Appliance

### Before Installing the Appliance

Remove all tape and packing materials before using the appliance. Dispose of all plastic bags after unpacking the appliance.

Never allow children to play with packing materials.

---

### WARNING

- The information in this manual should be followed exactly.

- Failure to do so could result in fire or electrical shock, causing property damage, personal injury or death.
  - The power must be shut off while the electrical connections are being made.
    - Failure to do so can result in severe personal injury, death or electrical shock.
  - Mounting screws must be used.
    - Failure to do so can result in the appliance falling out of the cabinet causing serious injury.
- 

---

### CAUTION

- Make sure the cabinets and wall coverings around the appliance can withstand the temperature (up to 90 °C) generated by the appliance.
    - Discoloration, delamination or melting may occur.
  - During installation, ensure that no persons can come into contact with live components.
  - The appliance must be installed by a qualified professional electrician, in accordance with the corresponding regulations and standards.
  - The microwave oven is a heavy appliance and must be transported with great care.
  - Before initial use, remove all packaging materials, from both inside and outside the appliance.
  - No modification may be made to the microwave oven's technical characteristics.
  - The integrated cooking area or hotplates is/are provided with special connections. These may only be attached to the appropriate corresponding connections of the same type.
- 

---

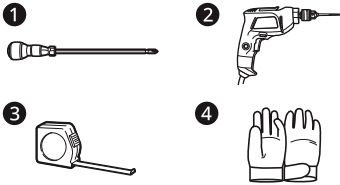
### NOTE

- This installation must be completed by a qualified installation engineer or technician.  
Proper installation is the responsibility of the installation engineer and product failure due to improper installation is NOT covered by warranty.

- Installation engineer: please retain these instructions for local inspector's reference, then leave them with the consumer.
- Consumer: please read and keep these instructions for future reference and be sure to read the entire OWNER'S MANUAL prior to use.
- Do not use the parts except for provided components when you install the product.
- Make sure the microwave oven is flush with the front of the enclosure.

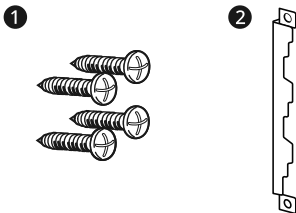
## Parts / Tools

### Tools Needed



- 1 Phillips Screwdriver
- 2 Drill
- 3 Tape Measure
- 4 Gloves

### Parts Included



- 1 Furniture Screw (4 ea)
- 2 Connection Plate (1 ea)

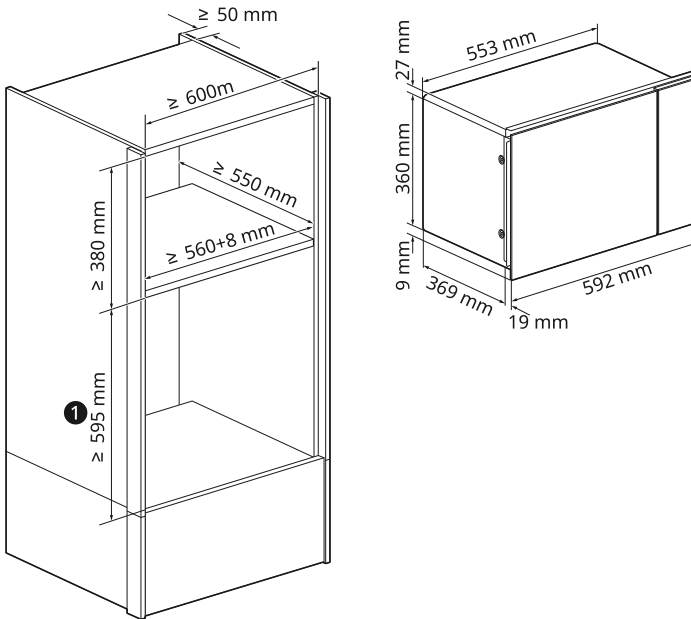
## Dimensions and Clearances

The first step of the installation is to measure the current cutout dimensions and compare them to the cutout dimensions shown below. Little or no cabinet work may be necessary.

### NOTE

- Make sure the base is level and the front of the cabinet is square.
- Kitchen cabinets in contact with the oven must be heat resistant up to 90 °C, and fronts of nearby units to at least 70 °C.

## Installation Drawings



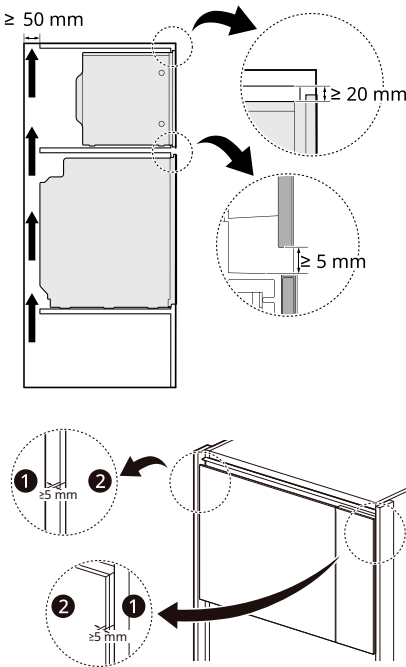
① If installed with LG 24" single built-in oven

Dimension/Clearance	MGBZ2593F	Dimension/Clearance	MGBZ2593F
Cutout depth	≥550 mm	Oven depth	388 mm
Cutout width	≥560 mm	Oven width	592 mm
Cutout height	≥380 mm	Oven height	396 mm
Ventilation depth	≥50 mm		

Remove the back wall of the installation cabinet. If it is difficult to remove the back wall, make a hole at least 100 mm in diameter.

## Ventilation

For correct ventilation, a ventilation opening of 50 mm should be required between the back wall and the floor of the installation cabinet, and a ventilation gap of 5 mm is required between the oven top rim and the furniture lower rim, and between the oven both sides rim and the cabinet, these openings must not be closed by any way. So ensure that the sides are not touching the front edges of the housing. Connect the oven to the power supply.



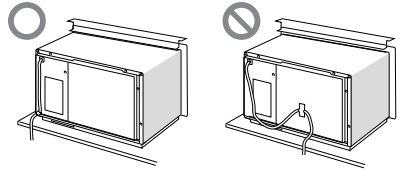
① Cabinet

② Oven

## Electrical Connection

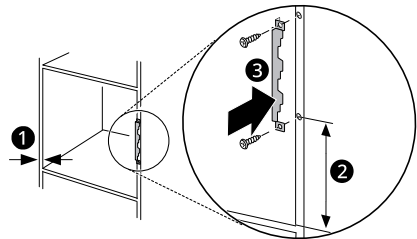
The appliance is fitted with a plug and must only be connected to a properly installed earthed socket. Only a qualified electrician who takes the

appropriate regulations into account may install the socket or replace the connecting cable. If the plug is no longer accessible following installation, an all-pole isolating switch must be present on the installation side with a contact gap of at least 3 mm. Contact protection must be ensured by the installation.



## Preparing the Cabinet

Determine the wall thickness ① of the unit. ② is assigned to the wall thickness.



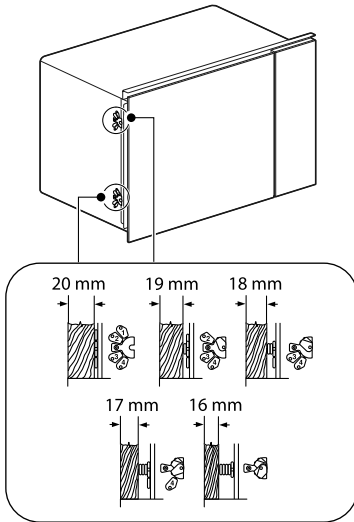
①	②
19 mm-20 mm	140 mm
17.5mm-18.5 mm	147 mm
16mm-17 mm	154 mm

## NOTE

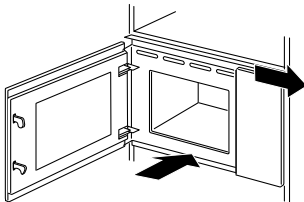
- ② corresponds to the clearance between the lower hole on the connection plate ③ and the bottom of the fitted unit.
- Screw the connection plate tightly to the cabinet. When doing so, observe ② that was determined.

## Installing the Appliance

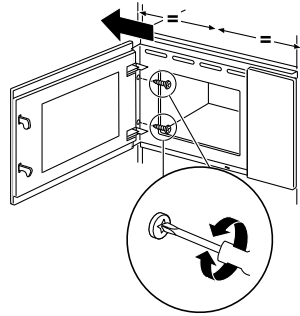
- 1** Secure the spacers to the appliance in accordance with the wall thickness.



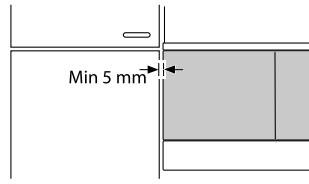
- 2** Insert the appliance into the unit and move it to the right.



- 3** Screw the appliance in until the appliance is centrally aligned.



- 4** Check the clearance to the adjacent appliances. The clearance to the adjacent appliances must be at least 5 mm.

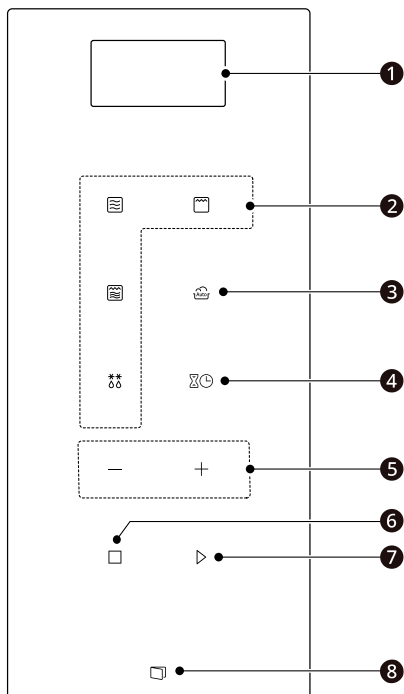


- 5** Remove any packaging material and adhesive film from the cooking compartment and the door.

# OPERATION

## Control Panel

### Control Panel Features



#### 1 Display

Shows the time of day, cooking time settings, and selected cooking functions.

#### 2 Cook Mode

Select a cooking mode for the microwave oven, grill, grill combination and defrost mode.

	<b>Microwave</b>
	<b>Grill</b>
	<b>Grill Combination</b>
	<b>Defrost</b>

#### 3 Auto Cook

Press the button to select preprogrammed cook for popular food items.

#### 4 Kitchen Timer/Clock

- Press the button once to set timer.
- Press the button twice to set clock.

#### 5 More/Less

Set cooking time, power level, quantity, or weight.

#### 6 STOP/Clear

Stop the oven or clear all entries.

#### 7 START/Enter

Press the button to start the oven, enter amounts, or cook at 100% cook power for 30 seconds.









- If you press the button during cooking to increase cook time by 30 seconds.

#### 8 Auto Door

Press the button, the oven door will open.

### Display Icon

An icon displays when a function is selected or an weight / a power level / a temperature is selected by using **More/Less**.

Icon	Indication
	Microwave
	Grill
	Grill Combination
	Auto Cook
	Defrost
	Start Cooking or Enter Amounts
	Use More or Less
	Select a Power Levels

Icon	Indication
kg	Select an Weight

### NOTE

- A beep sounds each time you press a key. A melody signals the end of a timer or a cooking cycle.
- This oven has a built-in safety interlocks to prevent exposure to excessive microwave energy. The oven will automatically turn off any cooking when the door is opened.

## Before Use

### Microwave Power Levels

This microwave oven is equipped with 5 power levels to give you maximum flexibility and control over cooking. See the table for suggested power levels for various foods.

Power Level	Use
<b>High 900 W (100%)</b>	<ul style="list-style-type: none"> <li>• Boiling water.</li> <li>• Browning ground beef</li> <li>• Making candy.</li> <li>• Cooking poultry pieces, fish, vegetables, and tender cuts of meat.</li> </ul>
<b>720 W (80%)</b>	<ul style="list-style-type: none"> <li>• Reheating rice, pasta &amp; vegetables.</li> <li>• Reheating prepared foods quickly.</li> <li>• Reheating sandwiches.</li> </ul>

Power Level	Use
<b>450 W (50%)</b>	<ul style="list-style-type: none"> <li>• Cooking egg, milk and cheese dishes.</li> <li>• Cooking cakes and breads.</li> <li>• Cooking veal.</li> <li>• Cooking whole fish.</li> <li>• Cooking puddings and custard.</li> <li>• Melting chocolate.</li> </ul>
<b>270 W (30%)</b>	<ul style="list-style-type: none"> <li>• Thawing meat, poultry and seafood.</li> <li>• Cooking less tender cuts of meat.</li> </ul>
<b>90 W (10%)</b>	<ul style="list-style-type: none"> <li>• Taking chill out of fruit.</li> <li>• Softening butter and cream cheese.</li> <li>• Keeping casseroles and main dishes warm.</li> </ul>

## Child Lock

Use this safety feature to lock the control panel and prevent the oven from being turned on when cleaning the oven or prevent children from unsupervised use of the oven.

### Setting Child Lock to ON

- 1 Press **STOP/Clear**.
- 2 Press and hold **STOP/Clear** until a **Loc** appears in the display (approximately 3 seconds).

### Cancelling Child Lock

Press **STOP/Clear** and hold until a **Loc** disappears in the display (approximately 3 seconds).

### NOTE

- If the oven is locked, a **Loc** appears in the display when any key is pressed.
- Unlock the oven to resume normal use.

## Kitchen Timer

The Timer function serves as an extra kitchen timer. It chimes when the set time runs out. It does not start or stop cooking.

- 1 Press **Kitchen Timer/Clock** once, until 00:00 appears in the display.
- 2 Press **More/Less** to enter the correct timer.
- 3 Press **START/Enter**.
- 4 When the kitchen time is reached, the buzzer will ring 5 times.

### NOTE

- The kitchen Time is different from 24-hour system. Kitchen Timer is a timer.

## Quick Start

### Quick Start Feature

This feature allows you to set 30-second intervals of High power cooking with each press of the **START/Enter** button.

#### Cooking for 2 Minutes on High Power

- 1 Press **STOP/Clear**.
- 2 Press **START/Enter** four times.
  - The oven starts cooking and the time counts down in the display.

### NOTE

- The oven will immediately start cooking for 30 seconds on high power.
- Press **START/Enter** repeatedly to extend the cook time by 30 seconds every time the button is pressed.

## Setting the Clock

- 1 Press **Kitchen Timer/Clock** twice.
- 2 Select either a 12-hour or 24-hour clock mode by using **More/Less**.
- 3 Select a desired hour by using **More/Less**, and press **START/Enter**.
- 4 Select a desired minutes by using **More/Less**, and press **START/Enter**.

## Microwave Cooking

When not using the auto cooking functions, the cooking time and power level are set manually.

- 1 Press **STOP/Clear**.
- 2 Press **Microwave**.
- 3 Select a desired power level by using **More/Less**, and press **START/Enter**.
- 4 Select a desired time by using **More/Less**, and press **START/Enter**.
  - When cooking is complete, a chime sounds and **End** appears in the display window. **End** remains in the display and the chime repeats every minute until the door is opened, or any button is pressed.

## 22 OPERATION

---

### NOTE

- If a power level is not selected, the oven defaults to High power.
- 

## Grill Cooking

This feature allow you to brown and crisp food quickly without preheating.

- 1 Press **STOP/Clear**.
- 2 Press **Grill**.
- 3 Select a desired time by using **More/Less**, and press **START/Enter**.

### ⚠ CAUTION

- Always use gloves when removing food and accessories after cooking as the oven and accessories will be very hot.
- 

### NOTE

- The rack can be used in grill and grill combination cooking. Place the rack on the glass tray.



## Grill Combination Cooking

This feature allow you to combine microwave cooking with the grill to cook quickly.

- 1 Press **STOP/Clear**.
- 2 Press **Grill Combination**.

- 3 Select a desired microwave power level by using **More/Less**, and press **START/Enter**.
  - Microwave power level
    - **Co-1:** 495 W (55%), **Co-2:** 324 W (36%)
- 4 Select a desired time by using **More/Less**, and press **START/Enter**.
  - During cooking you can adjust the cooking time by using **More/Less**.

### ⚠ CAUTION

- Always use gloves when removing food and accessories after cooking as the oven and accessories will be very hot.
- The rack can be used in grill and grill combination cooking. Place the rack on the glass tray.



## Cooking Mode

This feature has preprogrammed settings to automatically cook certain foods.

### Auto Cooking Mode

- 1 Press **STOP/Clear**.
- 2 Select a desired menu code by pressing **Auto Cook** repeatedly.
- 3 Press **START/Enter**.
- 4 Press **More/Less** to choose the food weight.
- 5 Press **START/Enter**.

## Auto Cooking Menu

Refer to the below to set the desired code and weight.

### 1 Pizza

- Weight: 200 g, 400 g
- Power: Co-2

### 2 Meat

- Weight: 250 g, 350 g, 450 g
- Power: Microwave power 100%

### 3 Vegetable

- Weight: 200 g, 300 g, 400 g
- Power: Microwave power 100%

### 4 Pasta

- Weight: 50 g (with 450 g cold water), 100 g (with 800 g cold water)
- Power: Microwave power 80%

### 5 Potato

- Weight: 200 g, 400 g, 600 g
- Power: Microwave power 100%

### 6 Fish

- Weight: 250 g, 350 g, 450 g
- Power: Microwave power 80%

### 7 Beverage

- Weight: 1 cup (about 120 ml), 2 cups (about 240 ml), 3 cups (about 360 ml)
- Power: Microwave power 100%

### 8 Popcorn

- Weight: 50 g, 100 g
- Power: Microwave power 100%

**2** Press **Defrost**.

**3** Select a desired weight by using **More/Less**, and press **START/Enter**.

- The countdown appears in the display.

**4** At the beep, open the door and remove any portions that have thawed and turn the food over.

## NOTE

- If half the defrost time passes, the oven sounds twice.

**5** Press **START/Enter** to resume the defrost cycle.

## NOTE

- Remove fish, shellfish, meat, and poultry from its original wrapping paper or plastic package. Otherwise, the wrap will hold steam and juice close to the foods, which can cause the outer surface of the foods to cook.
- Place foods in a shallow container or on a microwave roasting rack to catch drippings.
- Food should still be somewhat icy in the centre when removed from the oven.
- The length of defrosting time varies according to how solidly the food is frozen.
- The shape of the package affects how quickly food will defrost. Shallow packages will defrost more quickly than a deep block.
- Depending on the shape of the food can be defrosted more or less.

## Defrosting Mode

The defrost function provides the defrosting method for frozen foods. The range of weight is 0.1 - 2.0 kg.

**1** Press **STOP/Clear**.

## Utensils Guide

### Microwave-Safe Utensils

- **Ovenproof Glass:** Glassware that is heat-resistant is microwave-safe. This would include

all brands of oven tempered glass utensils. However, do not use delicate glassware, such as tumblers or wine glasses, as these might shatter as the food warms.

- **Pottery Stoneware Ceramic:** Use bowls, cups, serving plates, pottery, stoneware, ceramic, and platters without metallic rim. Many containers made of these materials are microwave-safe, but test them before use.
- **Plastic**
  - **Plastic Storage Containers:** These can be used to hold foods that are to be quickly reheated. However, they should not be used to hold foods that will need considerable time in the oven as hot foods will eventually warp or melt plastic containers.
  - **Plastic Cooking Bags:** Provided they are specially made for cooking, cooking bags are microwave safe. Remember to make a slit in the bag so that steam can escape. Never use ordinary plastic bags for cooking in the microwave oven, as they will melt and rupture.
  - **Plastic Microwave Utensils:** A variety of shapes and sizes of microwave utensils are available. You may be able to use items you already have on hand rather than investing in new kitchen equipment.
- **Paper:** Use paper towels, waxed paper, paper napkins, and paper plates with no metallic rim or design. Paper plates and containers are convenient and safe to use in the microwave oven, provided that the cooking time is short and foods to be cooked are low in fat and moisture. Paper towels are also very useful for wrapping foods and for lining baking trays in which greasy foods such as bacon are cooked. In general, avoid coloured paper products as the color may run. Some recycled paper products may contain impurities which could cause arcing or fires when used in the microwave.
- **Tableware:** Many containers made of pottery, stoneware and ceramic are also microwave-safe. If in doubt consult the manufacturer's literature or perform the microwave test. Do not put plates with painted decoration in the oven, as the paint may contain metal and cause arcing.

## Microwave-Unsafe Utensils

- **Metal Containers and Metal Decoration**
  - Never use metal or metal-rimmed utensils in the microwave oven.
  - Microwaves cannot penetrate metal. They will bounce off any metal object in the oven and cause arcing, an alarming phenomenon that resembles lightning.
  - Metal shields the food from microwave energy and produces uneven cooking. Also avoid metal skewers, thermometers, foil trays, metal-rimmed or metal-banded dinnerware, casserole dishes, etc. The metal rim interferes with normal cooking and may damage the oven.

## Testing Utensils before Use

Most heat resistant and non-metallic utensils is safe for use in your oven. However, some utensils may contain materials that are not suitable for microwave use. Follow the steps below to find out if utensils can be used in the microwave.

- 1 Place the container in question and a glass measuring cup filled with water next to each other inside the oven.
- 2 Heat the container and glass measuring cup for 1 minute at HIGH power.
  - If the water heats up but the container remains cool to the press, the container is microwave-safe.
  - If the temperature of the water does not change but the container becomes warm, it is not safe for use in the microwave oven.

## CAUTION

- Some items with high lead or iron content are not suitable for microwave cooking.
- Utensils should be checked to ensure that it is suitable for use in the microwave.
- Always be careful when taking utensils out of the oven. Some dishes absorb heat from the cooked food and may be hot.

# Cooking Guide

## Cooking Tips

Carefully monitor the food in the microwave oven when it is cooked. Directions given in recipes to elevate, stir, etc., are the minimum steps recommended. If the food seems to be cooked unevenly, simply make the necessary adjustments to correct the problem.

- **Covering:** Cover the plate with a lid, parchment paper (not waxed paper) or cling plastic wrap for use in the microwave oven. A cover traps heat and steam, which help to cook the food more quickly.
- **Stirring:** Stir from the outside towards the center, as food at the outside of the dish heats more quickly.
- **Standing Time:** Standing time allows foods to finish cooking and also helps flavors blend and develop. Foods are often allowed to stand for 3 to 10 minutes after being removed from the oven.
- **Cooking Time:** Set the cooking time according to the temperature of the ingredients. Ice-cold ingredients take considerably longer to cook than room temperature ingredients.
- **Sprinkling:** Low-moisture foods such as roasts and vegetables should be sprinkled with water before cooking or covered to retain moisture.
- **Arranging:** The upper portion of thick foods will be cooked more quickly than the lower portion. Turn food over several times during cooking.
- **Piercing:** Pierce foods that are enclosed in a shell, skin or membrane before cooking to prevent them from bursting.
  - Such foods include yolks and whites of eggs, clams, oysters, potatoes, and other whole vegetables and fruits.
- **Shape of Food:** Microwaves penetrate only about 2 cm into food. Only the outer edge of food is cooked by microwave energy; the rest is cooked as the heat moves inward.
  - Place the thickest portions of foods like meat, poultry or fish toward the outside of the utensils to help them cook more evenly.
  - If possible, shape foods into thin rounds or rings.
- **Density:** Light, porous food such as cakes and breads are cooked more quickly than heavy, dense foods such as roasts and casseroles.
- **Bones and Fat:** Bones conduct heat and fat cooks more quickly than meat. Take care with bony or fatty cuts of meat.
- **Quantity:** The more food you place in the oven, the longer the required cooking time.
- **Shielding:** Cover the corners of square dishes with strips of aluminum foil to prevent overcooking. Do not use too much foil, and make sure the foil is secured to the dish. If the foil gets too close to the oven walls during cooking, it can cause arcing.

# TROUBLESHOOTING

## FAQs

### Frequently Asked Questions

**Q: What's wrong when the oven light will not glow?**

A: There may be several reasons why the oven light will not glow. Either the light bulb has blown or the electric circuit has failed.

**Q: Does microwave energy pass through the viewing screen in the door?**

A: No. The holes, or ports, are made to allow light to pass; they do not let microwave energy through.

**Q: Why does the beep tone sound when a button on the control panel is touched?**

A: The beep tone sounds to assure that the setting is being properly entered.

**Q: Will the microwave function be damaged if it operates empty?**

A: Yes. Never run it empty.

**Q: Why do eggs sometimes pop?**

A: When baking, frying, or poaching eggs, the yolk may pop due to steam build up inside the yolk membrane. To prevent this, simply pierce the yolk before cooking. Never microwave eggs in the shell.

**Q: Why is standing time recommended after microwave cooking is over?**

A: After microwave cooking is finished, food keeps on cooking during standing time. This standing time finishes cooking evenly throughout the food. the amount of standing time depends on the density of the food.

**Q: Why doesn't my oven always cook as fast as the cooking guide says?**

A:

- Check your cooking guide again to make sure you have followed directions correctly, and to see what might cause variations in cooking time.
- Cooking guide times and heat settings are suggestions, chosen to help prevent overcooking, the most common problem in getting used to this oven.
- Variations in the size, shape, weight and dimensions of the food require longer cooking time.
- Use your own judgment along with the cooking guide suggestions to test food conditions, just as you would do with a conventional cooker.

## Before Calling for Service

If following symptoms appear while using the microwave oven, check it one more time. It may not be a failure.

### Operation

Symptoms	Possible Cause & Solution
<b>Microwave oven does not start</b>	<p><b>Power cord is unplugged, door is open. Or, cooking time is not set.</b></p> <ul style="list-style-type: none"> <li>• Plug in power cord.</li> <li>• Close oven door.</li> <li>• Set cooking time.</li> </ul>

Symptoms	Possible Cause & Solution
<b>Microwave oven does not start</b>	<p><b>A fuse in your home may be blown or the circuit breaker tripped. Or the appliance is connected to a GFCI (Ground Fault Circuit Interrupter) outlet, and the outlet's circuit breaker has tripped.</b></p> <ul style="list-style-type: none"> <li>• Check the main electrical box and replace the fuse or reset the circuit breaker.</li> <li>Do not increase fuse capacity. If the problem is a circuit overload, have it corrected by a qualified electrician.</li> <li>• Reset the circuit breaker on the GFCI. If the problem persists, contact an electrician.</li> </ul>
<b>Arcing or Sparking</b>	<p><b>Utensils is not microwave safe. Or, operated the oven when it is empty.</b></p> <ul style="list-style-type: none"> <li>• Use microwave-safe utensils. When in doubt, test utensils before use.</li> <li>• Do not operate oven while it is empty.</li> </ul>
<b>Incorrect Time of Day</b>	<p><b>Power is interruption.</b></p> <ul style="list-style-type: none"> <li>• Reset the time. See Setting the Clock section to reset time of day.</li> </ul>
<b>Unevenly Cooked Foods</b>	<p><b>Utensils is not microwave safe. Or, cooking settings was wrong.</b></p> <ul style="list-style-type: none"> <li>• Test utensils to make sure it is microwave safe.</li> <li>• Do not cook without the glass tray.</li> <li>• Turn or stir food while cooking.</li> <li>• Defrost food completely before cooking.</li> <li>• Use correct cook time and power level.</li> </ul>
<b>Overcooked Foods</b>	<p><b>Cooking settings and methods are wrong.</b></p> <ul style="list-style-type: none"> <li>• Change cook time or power level.</li> </ul>
<b>Undercooked Foods</b>	<p><b>Utensils is not microwave safe. Or, cooking settings was wrong.</b></p> <ul style="list-style-type: none"> <li>• Test that utensils is microwave safe.</li> <li>• Defrost food completely before cooking.</li> <li>• Change cook time or power level.</li> <li>• Make sure that ventilation ports are not blocked.</li> </ul>
<b>Improper Defrosting</b>	<p><b>Utensils is not microwave safe. Or, cooking settings was wrong.</b></p> <ul style="list-style-type: none"> <li>• Test that utensils is microwave safe.</li> <li>• Change defrost time or weight.</li> <li>• Turn or stir food during defrost cycle.</li> </ul>

