

Duct MA - Vertical installation Manual



MFL71984201
Rev.03_082823

Copyright © 2023 LG Electronics Inc. All Rights Reserved.

Please read this installation manual completely before installing the product.

SAFETY INSTRUCTIONS

The following safety guidelines are intended to prevent unforeseen risks or damages from unsafe or incorrect operation of the product. The guidelines are separated into 'WARNING' and 'CAUTION' as described below.

⚠ This symbol is displayed to indicate procedures and operations that can cause risk. Read the part with this symbol carefully and follow the instructions in order to avoid risk.

⚠ WARNING
This symbol indicates that the failure to follow the instructions can cause serious injury or death.

⚠ CAUTION
This indicates that the failure to follow the instructions can cause the minor injury or damage to the product.

⚠ WARNING

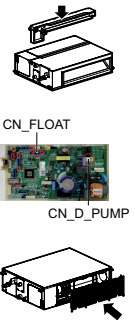
- Installation or repairs made by unqualified persons can result in hazards to you and others.
- Installation of all field wiring and components MUST conform to the local building codes or, in the absence of local codes, to the National Electrical Code 70 and the National Building construction and Safety Code or Canadian Electrical code and National Building Code of Canada.
- The information contained in the manual is intended for the use by a qualified service technician familiar with safety procedures and equipped with the proper tools and test instruments.
- Failure to carefully read and follow all instructions in this manual can result in equipment malfunction, Property damage, personal injury and/or death.

1 Accessory Part

1	Vertical drain pan assembly		1 EA
2	Mesh, Metal		1 EA
3	Bush		4 EA
4	Washer		4 EA
5	Nut (M10)		4 EA
6	Screw (D4, L10)		5 EA
7	Terminal to short CN_FLOAT		1 EA
8	Terminal to suppress CN_D_PUMP		1 EA
9	Manual, Installation		1 EA
10	Label, Caution		2 EA

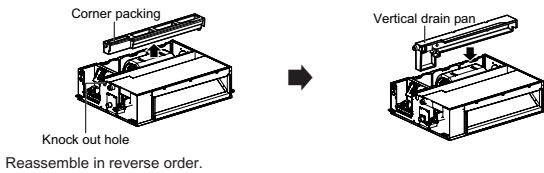
2 Vertical installation method

1. Replace Packing,corner with vertical drain pan assembly.
2. Change the wires connection for drain pump.
3. Fix Mesh,metal for safety.
4. Install the MA chassis vertically for proper place



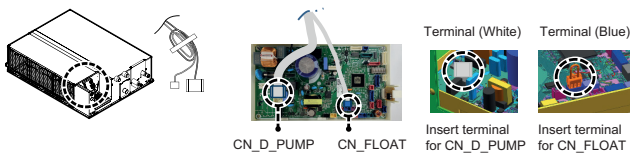
2-1 How to replace Packing, corner with Vertical drain pan assembly

Remove rear panel, control cover and front panel.
Remove corner packing and knock out hole.
Replace corner packing with vertical drain pan assembly.



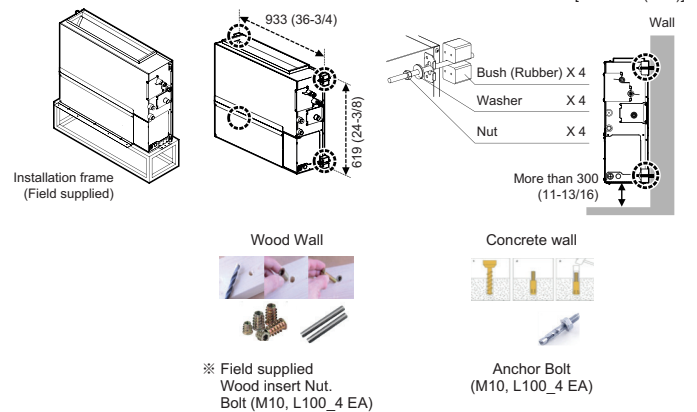
2-2 How to change the wires connection for drain pump

Open the control cover.
Disconnect wires of CN_D_PUMP and CN_FLOAT.
Insert terminal(white) for CN_D_PUMP and terminal(Blue) for CN_FLOAT.
Tie up loose wires and close the control cover.



2-4 How to install the MA chassis vertically

Case1. Floor Installation
Case2. Wall Installation

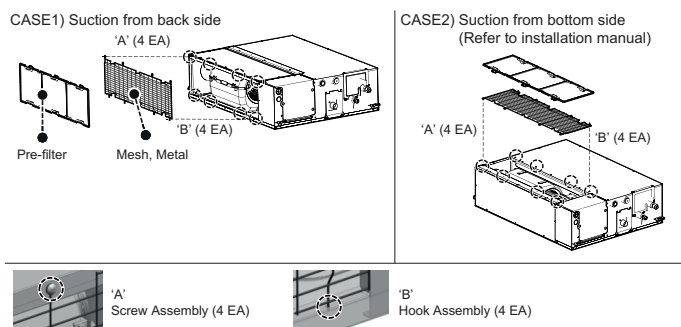


⚠ CAUTION

When installing/replacing/servicing, please wear anti-static gloves.

2-3 How to fix Mesh, Metal for safety

Fix Mesh, Metal using 4 hooks and screws. Insert Pre-filter after fixing Mesh, Metal.



3 How to connect drain piping

Connect the drain piping to drain hole of vertical drain pan.
Block the drain hole of drain pump to prevent air leakage.

