



LG TV Stand Installation Guide for Sound Bar (SJ8)

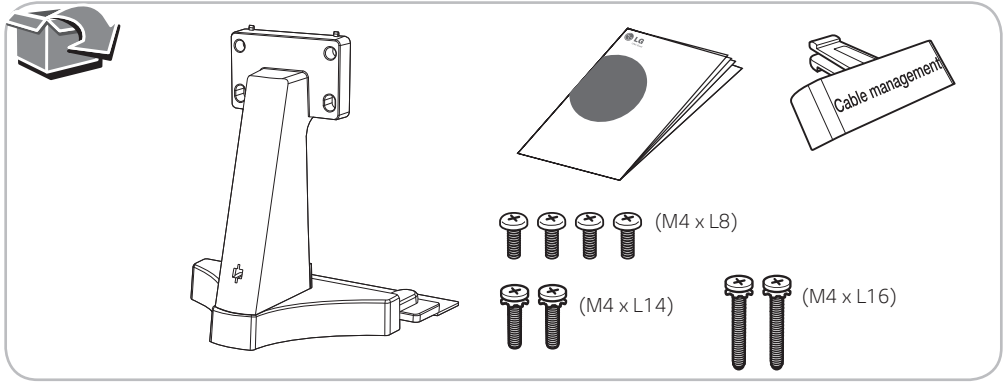
MODEL
T7



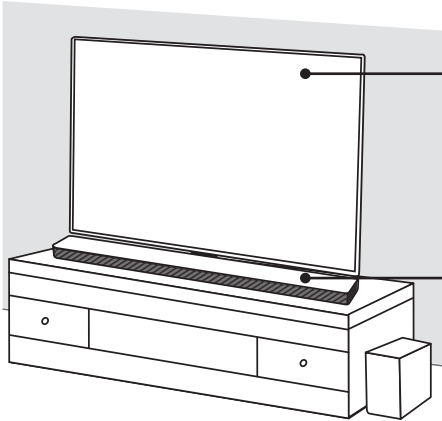
- | | | | |
|------------|------------|------------|------------|
| ENGLISH | ČESKY | SLOVENČINA | SLOVENČINA |
| DEUTSCH | SLOVENČINA | SHQIP | |
| FRANÇAIS | POLSKI | BOSANSKI | |
| NEDERLANDS | ROMÂNĂ | SVENSKA | |
| ITALIANO | LATVIEŠU | DANSK | |
| ESPAÑOL | HRVATSKI | NORSK | |
| ΕΛΛΗΝΙΚΑ | SRPSKI | SUOMI | |
| PORTUGUÊS | БЪЛГАРСКИ | | |
| MAGYAR | МАКЕДОНСКИ | | |

www.lg.com

Copyright © 2017 LG Electronics. All Rights Reserved



CHECK

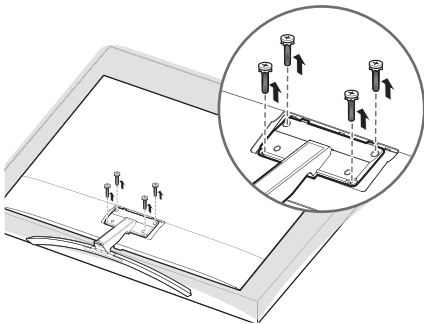


LG TV (Compatible TV models)
 • 65/55SJ950

LG Sound Bar
 SJ8

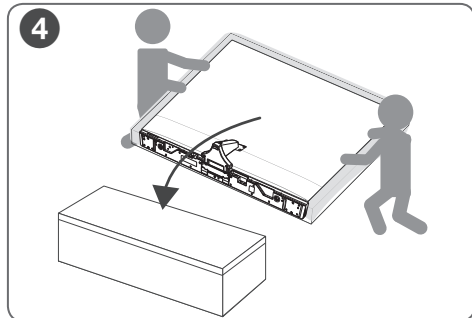
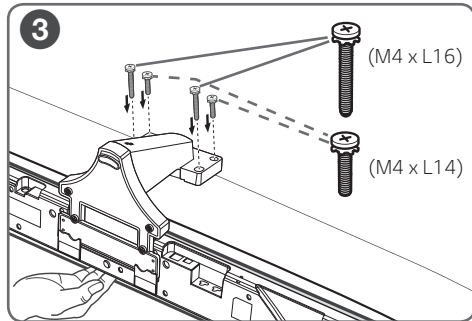
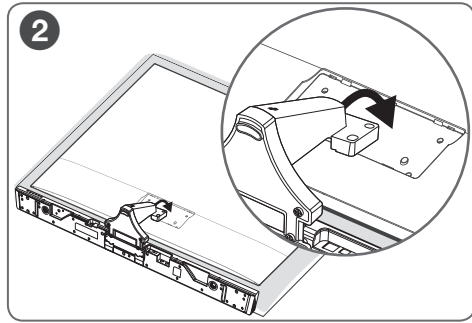
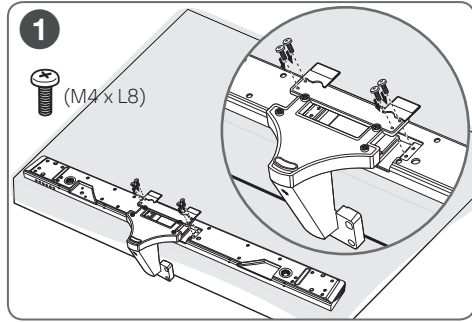


Before installation, you have to detach TV's stand and retain it separately if your TV has been installed with the stand. When you are detaching the stand, please refer to the instruction manual of your TV.

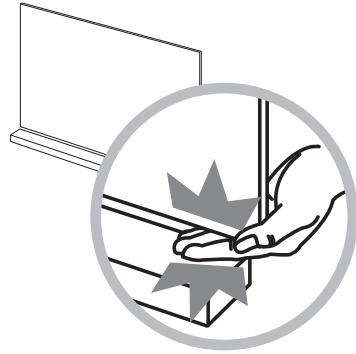


- When detaching or attaching the stand of the TV, place the screen facing down on a cushioned table or flat surface to protect the screen from scratches and damages.
- Make sure that the screws are fastened tightly. (If they are not fastened securely enough, the TV may tilt forward after being installed.)

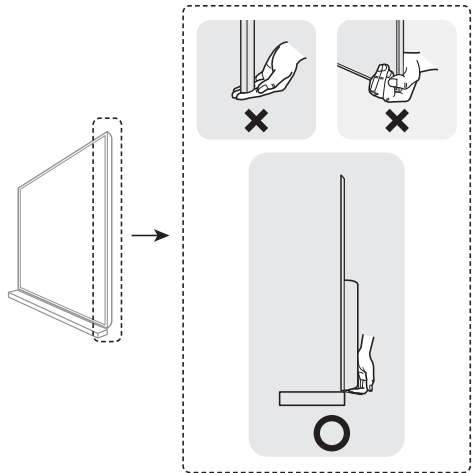
Installation



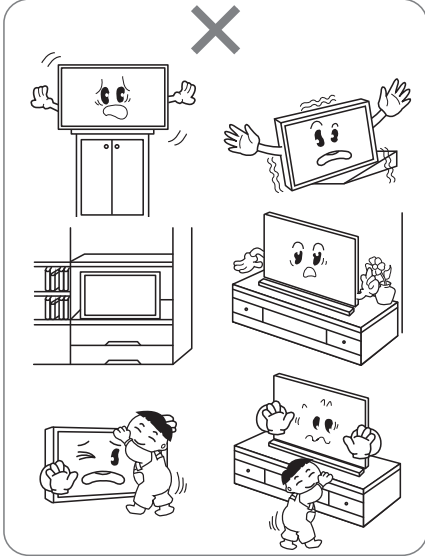
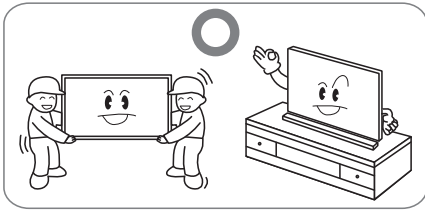
CAUTION for moving a TV



!
Be careful not to get your fingers caught between the TV and the Sound Bar.

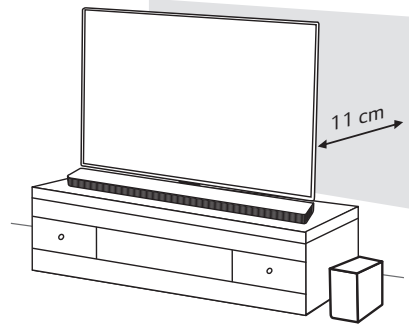


CAUTION



Positioning

For safety installation, there should be enough space between the wall and the installed product.



Cable management

You can arrange the cables behind your TV by using a supplied cable management clip.

