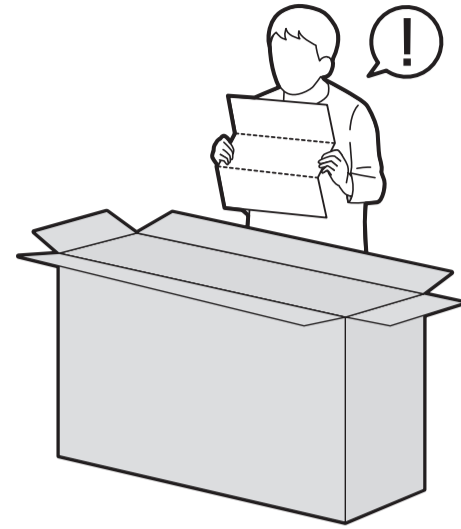
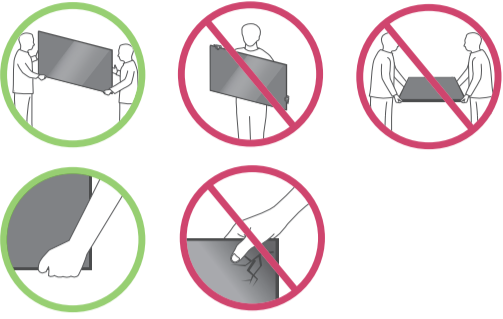
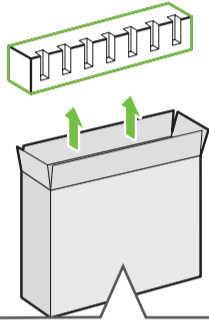


50UQ7400PSF 55UQ7400PSF 65UQ7400PSF  
50UQ7500PSF 55UQ7500PSF 65UQ7500PSF

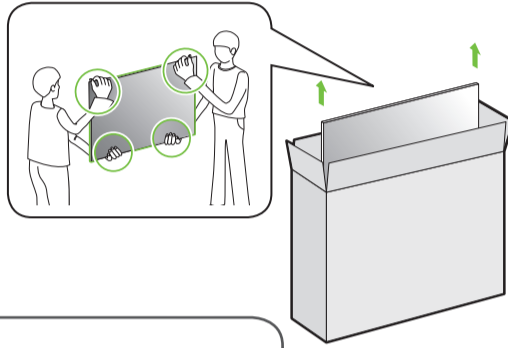


**1-A**

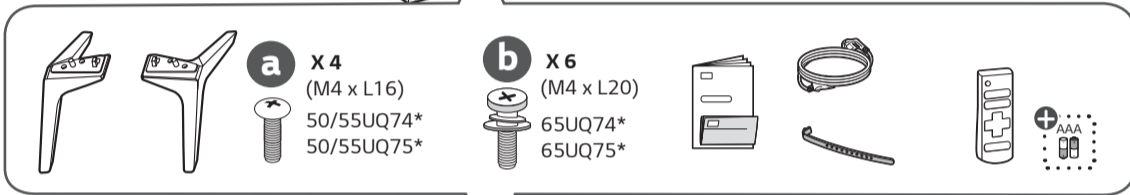
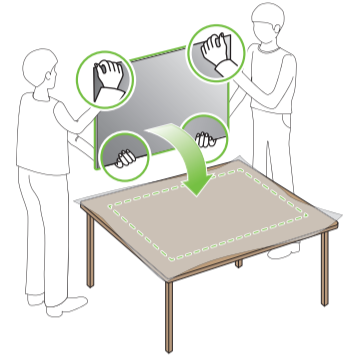
50/55UQ74\*  
50/55UQ75\*



**2-A**

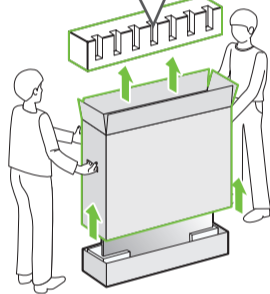


**3**

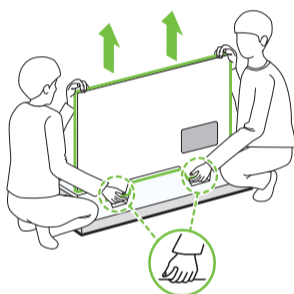


**1-B**

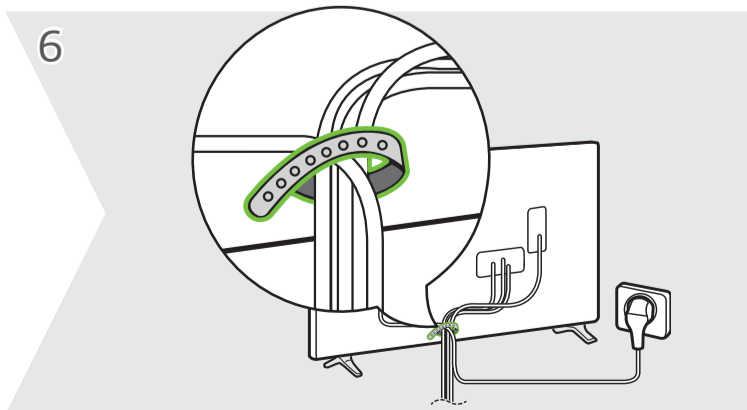
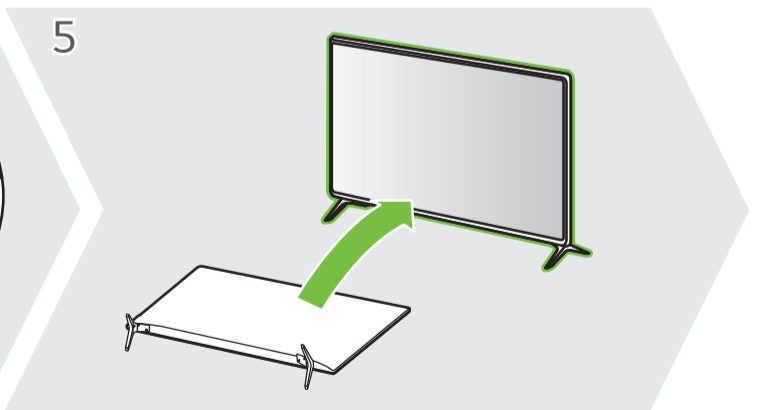
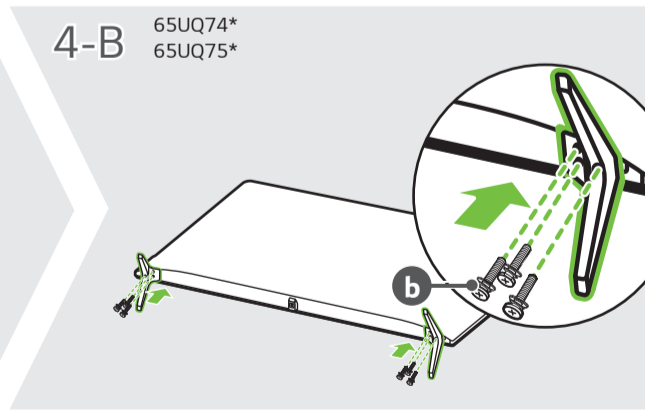
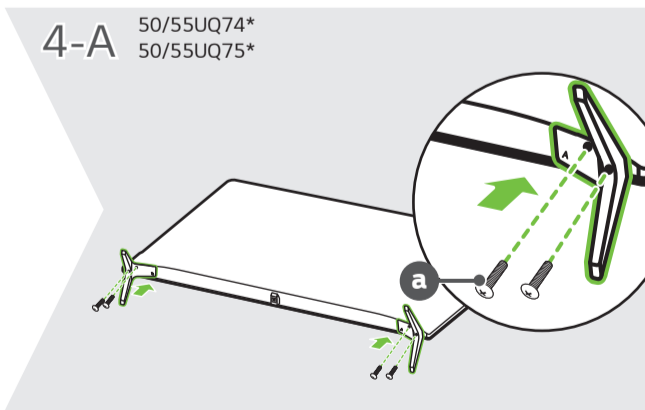
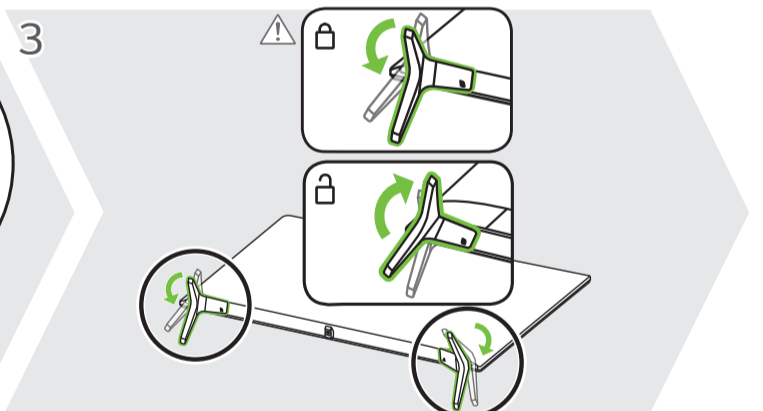
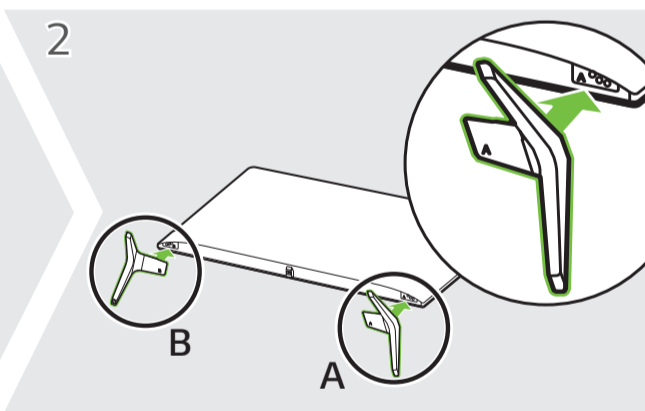
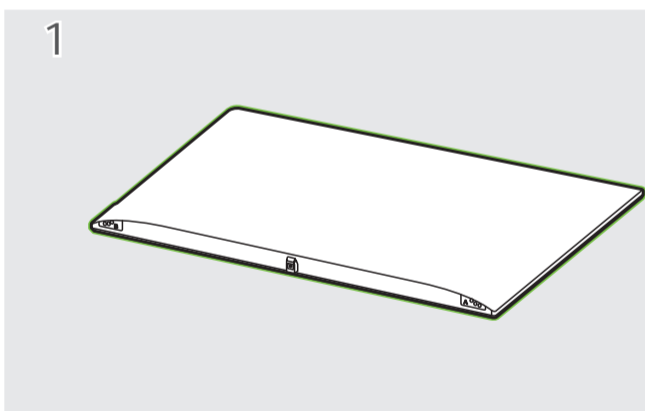
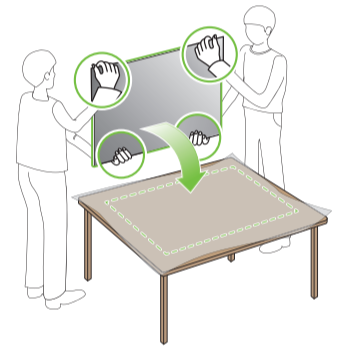
65UQ74\*  
65UQ75\*

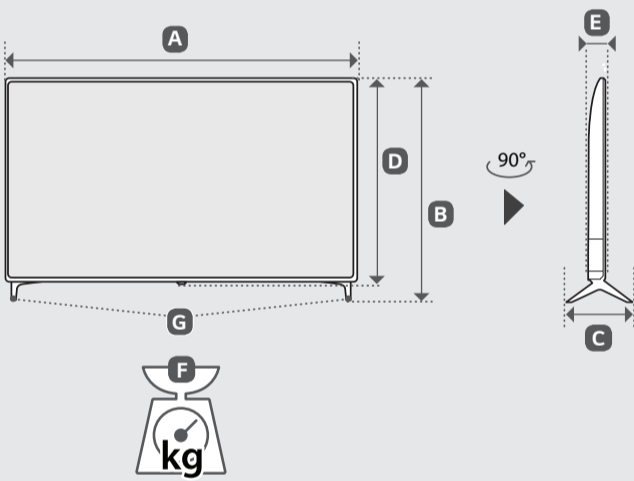
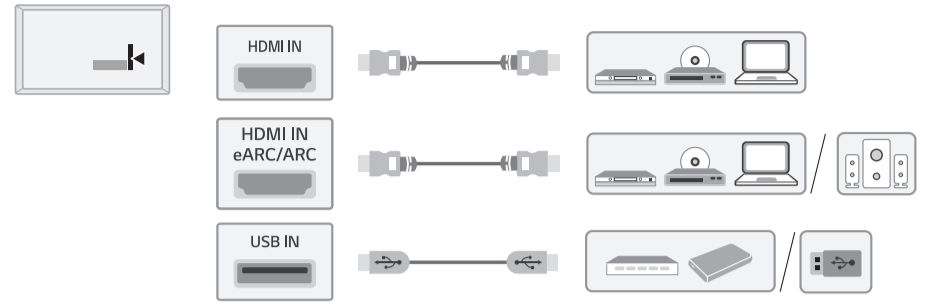
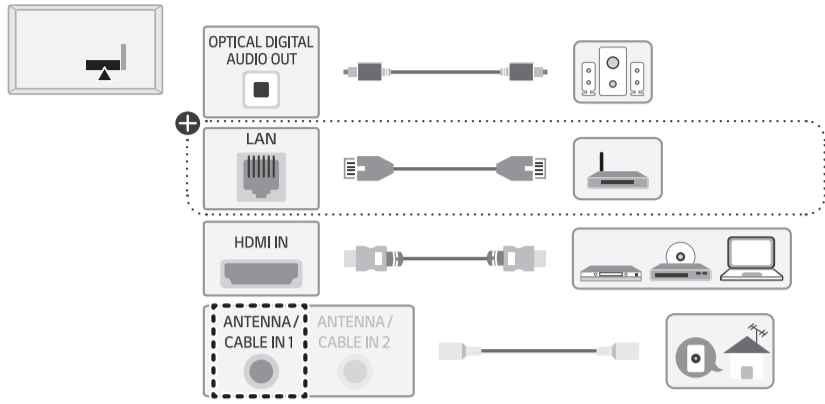


**2-B**

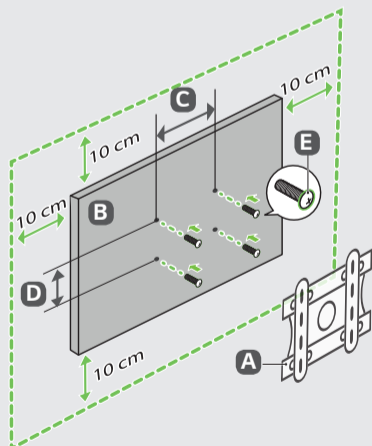


**3**





| MODELS                                     | A     |       | B   |     | C   |     | D   |     | E                        |      | F    |      | F-G  |      | Power consumption |                     |
|--|-------|-------|-----|-----|-----|-----|-----|-----|--------------------------|------|------|------|------|------|-------------------|---------------------|
| MODELOS                                    | (mm)  |       |     |     |     |     |     |     |                          |      |      |      |      |      | (kg)              | Consumo de potencia |
| 50UQ7400PSF<br>50UQ7500PSF                 | 1,130 | 1 130 | 719 | 719 | 235 | 235 | 663 | 663 | 86.3                     | 86,3 | 11.4 | 11,4 | 11.3 | 11,3 | 140 W             |                     |
| 55UQ7400PSF<br>55UQ7500PSF                 | 1,244 | 1 244 | 783 | 783 | 235 | 235 | 726 | 726 | 87.1                     | 87,1 | 14.4 | 14,4 | 14.3 | 14,3 | 160 W             |                     |
| 65UQ7400PSF<br>65UQ7500PSF                 | 1,463 | 1 463 | 910 | 910 | 255 | 255 | 850 | 850 | 87.8                     | 87,8 | 21.5 | 21,5 | 21.3 | 21,3 | 195 W             |                     |
| Power requirement / Alimentación requerida |       |       |     |     |     |     |     |     | AC 100 - 240 V- 50/60 Hz |      |      |      |      |      |                   |                     |



| A                 | B                  | C x D (mm) | E  |
|-------------------|--------------------|------------|----|
| LSW240B<br>MSW240 | 50UQ74*<br>50UQ75* | 200 x 200  | M6 |
| OLW480B<br>MSW240 | 55UQ74*<br>55UQ75* | 300 x 300  | M6 |
| OLW480B           | 65UQ74*<br>65UQ75* | 300 x 300  | M6 |



**ENGLISH** Read **Safety and Reference**.  
Due to environmental government regulations about imports and battery destruction in Colombia, TVs will not include the batteries for the remote control.

**ESPAÑOL** Leer **Seguridad y Consultas**.  
Por regulaciones de tipo ambiental respecto a la importación y destrucción de baterías en Colombia; los televisores no van a traer incluidas las pilas del control remoto.

**ENGLISH**  
**Easy Setup Guide**  
Please read this manual carefully before operating your set and retain it for future reference.

**ESPAÑOL**  
**Guía Rápida de Configuración**  
Lea atentamente este manual antes de poner en marcha el equipo y consérvelo para futuras consultas.

⊕ : Depending upon model / Según el modelo