



# CD/RADIO CASSETTE RECORDER

Owner's Manual  
Manual de instrucciones

**MODEL : CD-323A (AM/FM)**

Please read this manual carefully before operating your set.

Antes de conectar, operar o ajustar este producto, por favor lea cuidadosamente este manual de instrucciones.



P/NO:3828SNA016S

To avoid electrical shock; do not open the cabinet. Refer servicing to qualified personnel only.  
Shock Hazard - do not open.

**CAUTION**

Use of controls or adjustments or performance of procedures other than those specified herein may result in hazardous radiation exposure.

This class B digital apparatus meets all requirements of the Canadian Interference - Causing Equipment Regulations.

**For the customers in Europe**

Laser component in this product is capable of emitting radiation exceeding the limit for Class 1.

CLASS 1 LASER PRODUCT  
KLASSE 1 LASER PRODUKT  
LUOKAN 1 LASER LAITE  
KLASS 1 LASER APPARAT  
CLASSE 1 PRODUIT LASER

This Compact Disc player is classified as a CLASS 1 LASER product. The CLASS 1 LASER PRODUCT label is located on the exterior.

**CAUTION:** INVISIBLE LASER RADIATION WHEN OPEN AND INTERLOCKS DEFEATED. AVOID EXPOSURE TO BEAM.  
**WARNING:** OSYNLIG LASERSTRÅLNING NÄR DENNA DEL ÄR ÖPPNAD STRÅLEN ÄR FARLIG.  
**ATTENTION:** Quand l'appareil est ouvert, ne pas s'exposer aux radiations invisibles du faisceau laser.

This label is located on the interior.

The power switch of this unit is secondly mounted and does not disconnect the whole unit from the mains supply in the OFF position.

This product is conformed to EMC regulation 89/336/EEC and is therefore marked with the CE-label.

**Notice for customers in the United Kingdom**

**WIRING INSTRUCTIONS**

This appliance is supplied with a BS1363 approved 3 amp fused mains plug. When replacing the fuse always use a 3 amp BS1362 approved type. Never use this plug with the fuse cover omitted. To obtain a replacement fuse cover contact your supplying dealer or "LG Electronics U.K. Ltd."

If the mains sockets in your home differ, or are not suitable for the type of plug supplied, then the plug should be removed and a suitable type fitted. Please refer to the wiring instructions below :

**Warning:** The mains plug severed from the mains lead of this appliance must be destroyed. A mains plug with bared wires is hazardous if engaged in a mains output line socket.

**IMPORTANT**

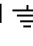
The wires in this mains lead are coloured in accordance with the following codes:

Blue : Neutral  
Brown : Live

As the colours of the wires in the mains lead of this appliance may not correspond with the coloured markings identifying the terminals in your plug, proceed as follows:


The wire which is coloured brown must be connected to the terminal which is marked with the letter L or coloured red.

The wire which is coloured blue must be connected to the terminal which is marked with the letter N or coloured black. If a 3 amp BS1363 plug or any other type of plug is used, a 3 amp BS1362 approved fuse must be fitted either in the plug or at the distribution board.

**Warning:** do not connect either wire to the earth pin, marked with the letter E or with the earth symbol  or coloured green or green and yellow.


**WARNING**

To reduce the risk of fire or electric shock, do not expose this appliance to rain or moisture.



**CAUTION**

RISK OF ELECTRIC SHOCK  
DO NOT OPEN



**CAUTION:**  
TO REDUCE THE RISK OF ELECTRIC SHOCK, DO NOT REMOVE COVER(OR BACK)  
NO USER SERVICEABLE PARTS INSIDE.  
REFER SERVICING TO QUALIFIED SERVICE PERSONNEL.

The graphical symbols marked on the bottom or back of the set mean the following explanation.



The lightning flash with arrowhead within an equilateral triangle is intended to alert the user to the presence of uninsulated "dangerous voltage" within the product's enclosure that may be of sufficient magnitude to constitute a risk of electric shock to persons.



The exclamation point within an equilateral triangle is intended to alert the user to the presence of important operating and maintenance (servicing) instructions in the literature accompanying the appliance.

# Safety Instructions for U.S.A.

## CAUTION:

- Read all of these instructions.
- Save these instructions for later use.
- Follow all warnings and instructions marked on the audio equipment.

**-Read instructions** - All the safety and operating instructions should be read before the product is operated.

**-Retain instructions** - The safety and operating instructions should be retained for future reference.

**-Heed Warnings** - All warnings on the product and in the operating instructions should be adhered to.

**-Follow instructions** - All operating and use instructions should be followed.

**-Cleaning** - Unplug this product from the wall outlet before cleaning. Do not use liquid cleaners or aerosol cleaners. Use a damp cloth for cleaning.

**-Attachments** - Do not use attachments not recommended by the product manufacturer as they may cause hazards.

**-Water and Moisture** - Do not use this product near water - for example, near a bath tub, wash bowl, kitchen sink, or laundry tub; in a wet basement; or near a swimming pool; and the like.

**-Accessories** - Do not place this product on an unstable cart, stand, tripod, bracket, or table. The product may fall, causing serious injury to a child or adult, and serious damage to the product. Use only with a cart, stand, tripod, bracket, or table recommended by the manufacturer, or sold with the product. Any mounting of the product should follow the manufacturer's instructions, and should use a mounting accessory recommended by the manufacturer.

**-Ventilation** - Slots and openings in the cabinet are provided for ventilation and to ensure reliable operation of the product and to protect it from overheating, and these openings must not be blocked or covered. The openings should never be blocked by placing the product on a bed, sofa, rug, or other similar surface. This product should not be placed in a built-in installation such as a bookcase or rack unless proper ventilation is provided or the manufacturer's instructions have been adhered to.

**-Power Sources** - This product should be operated only from the type of power source indicated on the marking label. If you are not sure of the type of power supply to your home, consult your product dealer or local power company. For products intended to operate from battery power, or other sources, refer to the operating instructions.

**-Grounding or Polarization** - This product may be equipped with a polarized alternating-current line plug (a plug having one blade wider than the other). This plug will fit into the power outlet only one way. This is a safety feature. If you are unable to insert the plug fully into the outlet, try reversing the plug. If the plug should still fail to fit, contact your electrician to replace your obsolete outlet. Do not defeat the safety purpose of the polarized plug.

**-Lightning** - For added protection for this product during a lightning storm, or when it is left unattended and unused for long periods of time, unplug it from the wall outlet and disconnect the antenna or cable system. This will prevent damage to the product due to lightning and power-line surges.

**-Power-Cord Protection** - Power-supply cords should be routed so that they are not likely to be walked on or pinched by items placed upon or against them, paying particular attention to cords at plugs, convenience receptacles, and the point where they exit from the product.

**-Power Lines** - An outside antenna system should not be located in the vicinity of overhead power lines or other electric light or power circuits, or where it can fall into such power lines or circuits. When installing an outside antenna system, extreme care should be taken to keep from touching such power lines or circuits as contact with them might be fatal.

**-Overloading** - Do not overload wall outlets, extension cords, or integral convenience receptacles as this can result in a risk of fire or electric shock.

**- Object and Liquid Entry** - Never push objects of any kind into this product through openings as they may touch dangerous voltage points or short-out parts that could result in a fire or electric shock. Never spill liquid of any kind on the product.

**- Servicing** - Do not attempt to service this product yourself as opening or removing covers may expose you to dangerous voltage or other hazards. Refer all servicing to qualified service personnel.

**- Damage Requiring Service** - Unplug this product from the wall outlet and refer servicing to qualified service personnel under the following conditions:

- a) When the power-supply cord or plug is damaged.
- b) If liquid has been spilled, or objects have fallen into the product.
- c) If the product has been exposed to rain or water.
- d) If the product does not operate normally by following the operating instructions. Adjust only those controls that are covered by the operating instructions as an improper adjustment of other controls may result in damage and will often require extensive work by a qualified technician to restore the product to its normal operation.
- e) If the product has been dropped or damaged in any way.
- f) When the product exhibits a distinct change in performance-this indicates a need for service.

**- Replacement Parts** - When replacement parts are required, be sure the service technician has used replacement parts specified by the manufacturer or have the same characteristics as the original parts. Unauthorized substitutions may result in fire, electric shock, or other hazards.

**- Safety Check** - Upon completion of any service or repairs to this product, ask the service technician to perform safety checks to determine that the product is in proper operating condition.

**- Heat** - The product should be situated away from heat sources such as radiators, heat registers, stoves, or other products (including amplifiers) that produce heat.

## Note

This equipment has been tested and found to comply with the limits for a Class B digital device, pursuant to Part 15 of the FCC Rules. These limits are designed to provide reasonable protection against harmful interference in a residential installation. This equipment generates, uses, and can radiate radio frequency energy and, if not installed and used in accordance with the instructions, may cause harmful interference to radio communications. However, there is no guarantee that interference will not occur in a particular installation. If this equipment does cause harmful interference to radio or television reception, which can be determined by turning the equipment off and on, the user is encouraged to try to correct the interference by one or more of the following measures:

- Reorient or relocate the receiving antenna.
- Increase the separation between the equipment and receiver.
- Connect the equipment into an outlet on a circuit different from that to which the receiver is connected.
- Consult the dealer or an experienced radio/TV technician for help.

Para evitar incendios o el riesgo de electrocución, no exponga la unidad a la lluvia ni a la humedad.

Para evitar una descarga eléctrica, no abra el aparato. Para cualquier reparación, acuda al personal cualificado.

Riesgo de descarga eléctrica -no abrir.

**ATENCIÓN**

Si utiliza los mandos o los ajustes de forma diferente a la que aquí se especifica, corre el riesgo de exponerse a una radiación peligrosa.

Este aparato digital de clase B reúne todos los requisitos de la Canadian Interference-Causing Equipment Regulations.

**Para los clientes europeos**

El componente de láser de este producto puede emitir radiaciones que excedan los límites para la Clase 1.

CLASS 1 LASER PRODUCT  
 KLASSE 1 LASER PRODUKT  
 LUOKAN 1 LASER LAITE  
 KLASSE 1 LASER APPARAT  
 CLASSE 1 PRODUIT LASER

Este lector de Compact Disc está clasificado como producto LÁSER de CLASE 1. La etiqueta PRODUCTO LÁSER de CLASE 1 figura en el exterior.

**CAUTION:**INVISIBLE LASER RADIATION WHEN OPEN AND INTERLOCKS DEFEATED. AVOID EXPOSURE TO BEAM.  
**WARNING:**OSYNLIG LASERSTRALNING NAR DENNA DEL AR OPPNAD STRALEN AR FARLIG.  
**Attention:**Quand l'appareil est ouvert, ne pas s'exposer aux radiations invisibles du faisceau laser.

Esta etiqueta se encuentra en el interior.

El botón de encendido de esta unidad tiene un soporte secundario, por lo que no se desconecta por completo de la red cuando está en la posición de apagado (OFF).

Este producto cumple las normativas de la EMC 89/336/CEE y por lo tanto está marcado con la etiqueta CE.

**ATENCIÓN**

Para reducir el riesgo de incendio o de descarga eléctrica, mantenga el aparato en un lugar seco.

	<b>ATENCIÓN</b> RIESGO DE DESCARGA ELÉCTRICA NO ABRIR	
<p>ATENCIÓN: PARA REDUCIR EL RIESGO DE DESCARGA ELÉCTRICA NO ABRA LA CUBIERTA (O LA TRASERA) NO CONTIENE NINGUNA PIEZA QUE PUEDA REPARAR EL USUARIO. PARA CUALQUIER REPARACIÓN, ACUDA AL PERSONAL CUALIFICADO.</p>		

Los símbolos gráficos que figuran en la base o la trasera del equipo tienen los siguientes significados:



El rayo acabado en punta de flecha dentro de un triángulo equilátero advierte al usuario de la presencia de un "voltaje peligroso" no aislado en el interior del producto, que puede tener la magnitud suficiente como para producir una descarga eléctrica peligrosa para las personas.



El signo de exclamación dentro de un triángulo equilátero advierte al usuario de la existencia de instrucciones importantes de operación y mantenimiento (reparación) en las instrucciones que se incluyen con el aparato.

## Especificaciones técnicas

### ● RADIO SECTION

Frequency range	
AM.....	520~1620kHz or
520~1700kHz(USA)	
FM.....	87.5~108MHz
Intermediate frequencies	
AM.....	455kHz
FM.....	10.7MHz
Antenna	
AM.....	Ferrite bar antenna
FM.....	Telescopic antenna

### ● CASSETTE SECTION

Recording system.....	4 tracks 2 channel stereo
Frequency response.....	125~8000Hz
S/N ratio.....	35/40dB(rec/play)

### ● CD PLAYER SECTION

Frequency response.....	100~18000Hz
S/N ratio.....	60dB(1kHz)

### ● GENERAL

Speakers.....	8Ω X 2
Out power(10%T.H.D.).....	1.0W X 2
AC operation.....	Refer to the indicated voltage on the bottom of set
Battery operation.....	DC 9V, six "C"(R14) batteries(not supplied)
Power consumption.....	11W
Dimensions(WXHXD).....	338 X 178 X 230mm
Weight.....	2.7kg

### NOTE:

Design and specifications are subject to change without notice for improvement.

### ● RADIO

Gama de frecuencias	
AM.....	522-1.620kHz
FM.....	87,5-108MHz
Frecuencias intermedias	
AM.....	450kHz
FM.....	10,7MHz
Antena	
AM.....	Antena magnética
FM.....	Antena telescética

### ● CASSETTE

Sistema de grabación.....	4 pistas 2 canales estéreo
Respuesta de frecuencia.....	125-8.000Hz
Proporción señal/ruido.....	35/40dB (grabación/reproducción)

### ● LECTOR DE CD

Respuesta de frecuencia.....	100-18.000Hz
Proporción señal/ruido.....	60dB (1kHz)

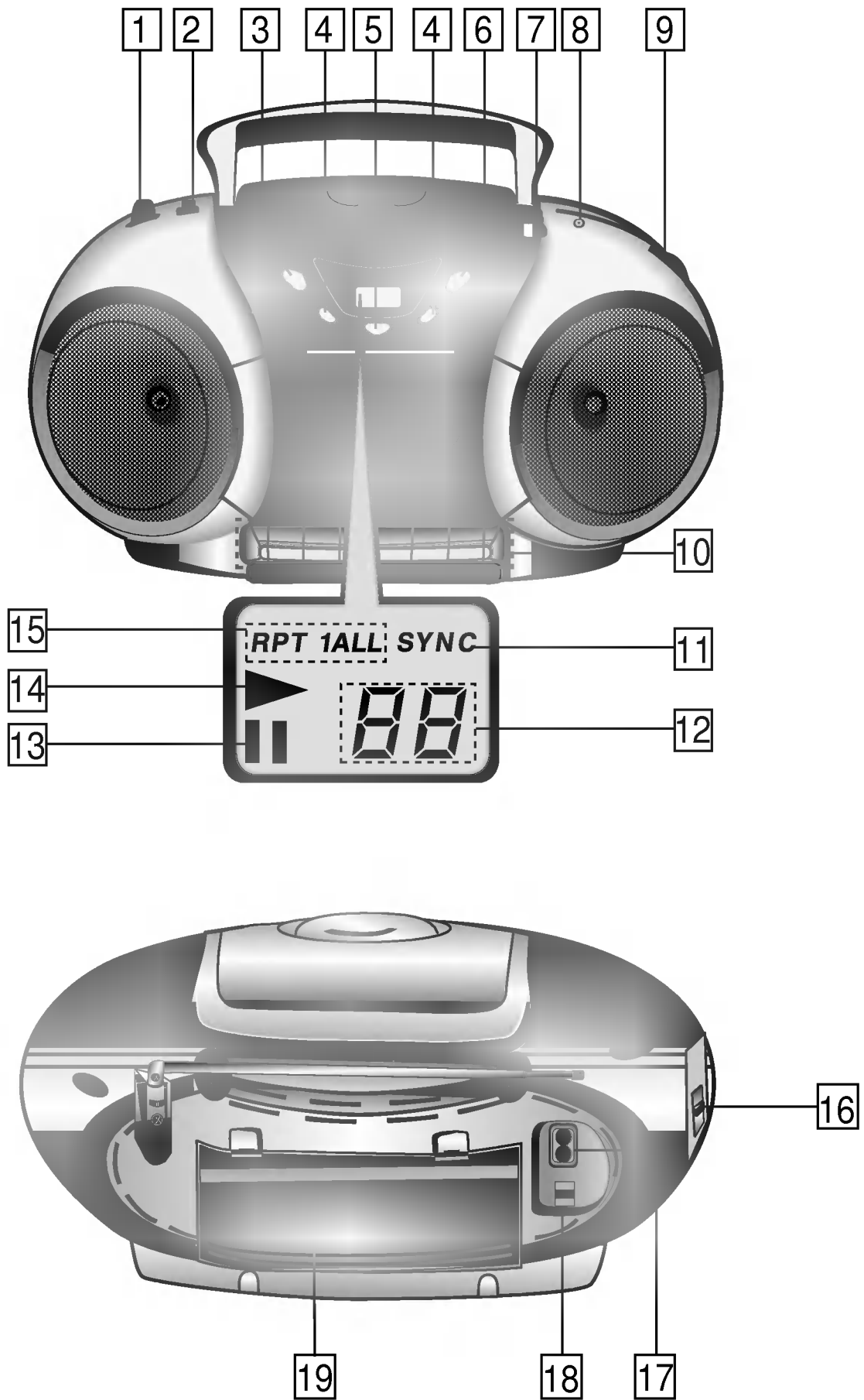
### ● GENERAL

Altavoces.....	8Ω x 2
Potencia de salida (10% T.H.D.).....	1,0W x 2
Funcionamiento con CA.....	Mire el voltaje indicado en la base del equipo.
Funcionamiento con pilas.....	9V, 6 "C"(R14) (no incluidas)
Consumo de energía.....	11W
Dimensiones.....	338 x 178 x 230mm (anchura x altura x profundidad)
Peso.....	2,7kg

### NOTA:

Las especificaciones y el diseño pueden ser modificados para su mejora sin previo aviso.

Location of controls



## Location of Controls

- 1 VOLUME Control
- 2 FUNCTION Switch
- 3 CD PLAY/PAUSE buttons (▶||)
- 4 CD SKIP/SEARCH buttons (◀◀, ▶▶)
- 5 CD REPEAT button
- 6 CD STOP button (■)
- 7 CD OPEN button (▲)
- 8 FM STEREO indicator
- 9 TUNING dial
- 10 Deck controls
- 11 CD SYNC indicator
- 12 CD TRACK indicator
- 13 CD Pause indicator
- 14 CD Play indicator
- 15 CD RPT 1/ALL indicator
- 16 RIF/FM MODE switch
- 17 AC Power input socket
- 18 Voltage Selector (optional)
- 19 Battery compartment

## Localización de los mandos

- 1 Regulador del volumen.
- 2 Selector de funciones
- 3 Botón de reproducción/pausa en CD (▶||)
- 4 Botones de avance y rebobinado / Búsqueda en CD (◀◀ , ▶▶ )
- 5 Botón de repetición en CD
- 6 Botón para interrumpir el CD (■)
- 7 Botón para abrir el CD (▲)
- 8 Indicador de FM estéreo
- 9 Sintonizador de radio
- 10 Mandos de la platina
- 11 Indicador de sincronización en CD (**SYNC**)
- 12 Indicador de pista en CD
- 13 Indicador de pausa en CD
- 14 Indicador de reproducción en CD
- 15 Indicador de repetición en CD
- 16 Selector del modo en RIF/FM MODE
- 17 Toma de la red
- 18 Selector de voltaje (opcionales)
- 19 Compartimento para las pilas



## The AC Power cord Connection

### Set(see fig. ■)

1. Before connecting the AC power cord, check that the operating voltage of your set is identical with the voltage of your local power supplied.
2. Connect one end of the AC power cord(supplied) to the AC IN socket located at the backside of your set.
3. Plug the other end into the wall outlet.

※ Unplug the AC power cord from the wall outlet if you do not to use for an extended period of time.

### Adjusting the voltage(optional)

If your set is equipped with a voltage selector at the back side, be sure to set it to your local power supplied before connecting the AC power cord.

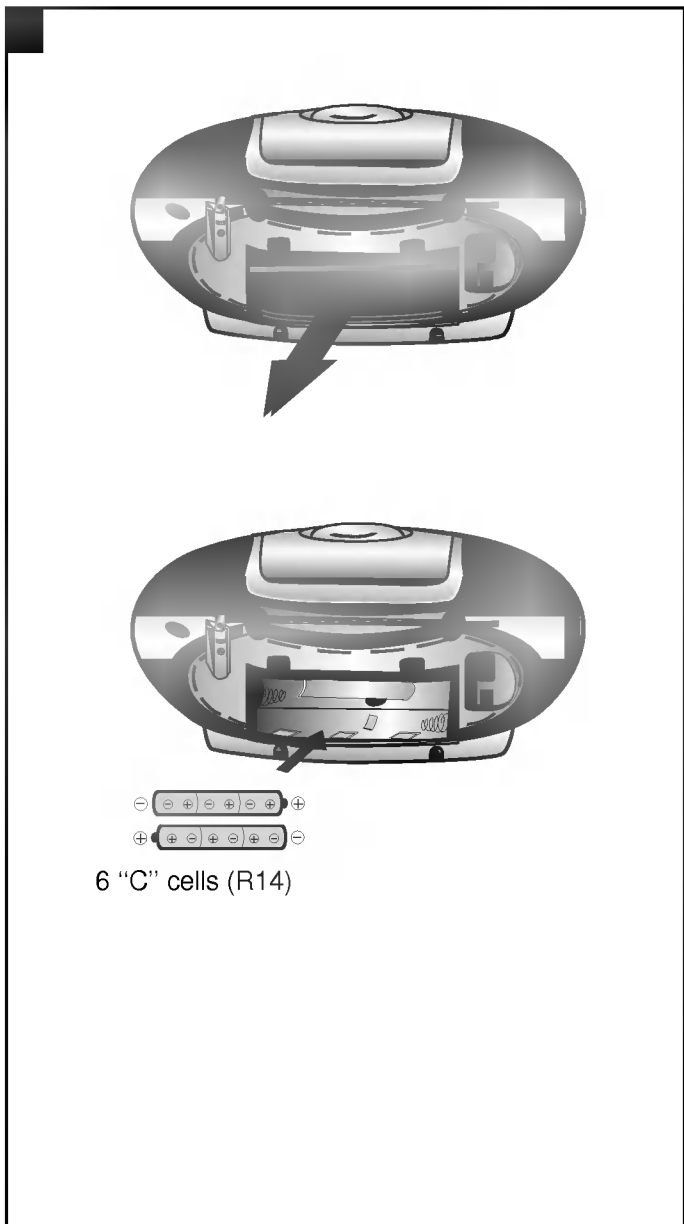
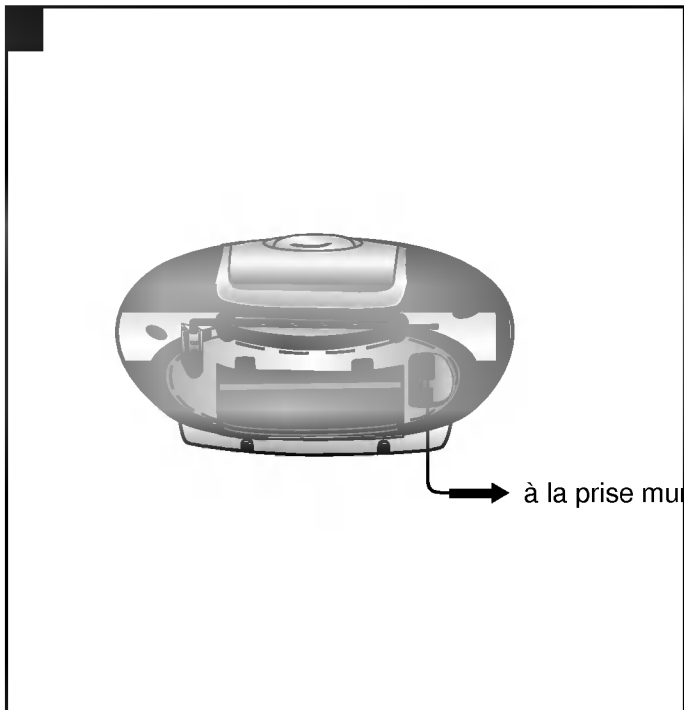
## Battery Installation

### Set(see fig. ■)

1. Press open the battery cover.
2. Put six "C"(R14) batteries(not supplied) into the compartment making sure the + and - are correctly positioned.
3. Replace the cover.

### NOTE:

1. To avoid damage from possible battery leakage, remove the batteries if you do not plan to use the set for an extended period of time.
2. When the batteries are weak, replace all the batteries with new ones.
3. During the AC power cord connect to the wall outlet, the batteries are not worn out.



## Sound Adjustment

### VOLUME:

Turn **VOLUME** clockwise to increase the sound level, or anti-clockwise to decrease it.

## Radio Operation

1. Set **FUNCTION** to **AM** or **FM**.
2. Tune in a station using **TUNING** dial.
3. Set **FUNCTION** to **TAPE(OFF)** to turn off your set.

### STEREO or MONO:

1. Set **FM MODE** to **ST.** to listening to an FM stereo broadcast. The **FM ST.** indicator will light.
2. Set **FM MODE** to **MONO** when listening to an FM stereo broadcast. Selecting this function will substantially reduce the noise, however the stereo effect will be lost.

### NOTE:

Adjust the antenna to get more clear reception.

1. **AM:** The antenna is built within the set and rotate the set for better reception.
2. **FM:** Pull the telescopic antenna out and adjust the angle and direction for better reception.

## Cassette Operation

1. Set **FUNCTION** to **TAPE**.
2. Open the cassette door by pressing **■ / ▲ ST/EJ**.
3. Insert a cassette and push close the door.
4. Press **PLAY(▶)** to playback.
5. Press **PAUSE(II)** to pause. Press **PAUSE** again to resume play.
6. Press **FF(▶▶)** or **REW(◀◀)** to fast forward or rewind the tape.
7. Press **■ / ▲ ST/EJ** to stop play. Your cassette deck will automatically stop at the end of the tape.

## CD Operation

### To Play a CD

1. Set **FUNCTION** to **CD**.
2. Press **OPEN(▲)** to open the disc compartment.
3. Load a disc with the printed side facing up.
4. Close the disc compartment. The display will show the total number of tracks.
5. Press **PLAY/PAUSE(▶II)** to begin play. The track number will be shown in the display.
6. Press **PLAY/PAUSE(▶II)** to pause.  
When a track is paused **II** will flash in the display.
7. Press **PLAY/PAUSE(▶II)** again to resume play.
8. **How to search for a particular section of music on the track that is playing:**  
Press and hold **SKIP/SEARCH(◀◀ or ▶▶)** to search backwards or forwards, you will be able to faintly hear the track being played at high speed.
9. **How to search for a particular track on the current disc:**  
Press **SKIP/SEARCH(◀◀ or ▶▶)** to search for a particular track. After each press of this buttons the new track number will be shown in the display.
10. Press **STOP(■)** to stop playing a disc.

### NOTE:

1. Do not tilt or move your set with discs loaded. If you do you may damage the discs and your set.
2. Do not touch the playing side of CD; the side without any printing on it.
3. Clean your CD from the middle outwards with a soft lint free cloth.

### Repeat Play

By repeatedly pressing **REPEAT** the following options will be displayed in the display.

#### RPT 1

One track is played repeatedly

#### RPT ALL

An entire disc is played repeatedly.

The next press of **REPEAT** will cancel the feature.

## Recording Operation

### NOTE:

1. Recording levels have been preset at the factory under optimum conditions and cannot be changed.
2. Your set can record onto Normal ;  
CrO2 tapes and metal tapes cannot be used.

### Basic Recording

1. Set **FUNCTION** to one which you wish to record from.
2. Insert a blank cassette.
3. Press **REC●** . **PLAY▶** goes down automatically.
4. Start playing your CD or RADIO.
5. Press **■/▲ ST/EJ** to finish recording. Your cassette deck will automatically stop at the end of the tape.

※ Set **RIF** on the side of set to 1,2 or 3, depending on which one best reduces the noise when AM broadcast recording.

### CD Synchro Recording

This feature automatically records an entire CD onto a cassette.

1. Load a disc and set **FUNCTION** to **CD**.
2. Insert a blank cassette .
3. Press **REC●** . **PLAY▶** goes down automatically.  
When recording from a CD, the disc will start playing after about 7 seconds.
4. Press **■/▲ ST/EJ** to finish recording and press **STOP(■)** to stop playing a disc.

## Instalación

### Conexión del cable de corriente alterna.

#### Equipo (véase la figura ■)

1. Antes de conectar el cable de corriente alterna, compruebe que el voltaje de su equipo coincide con el voltaje del enchufe en el que va a conectarlo.
2. Conecte uno de los extremos del cable de corriente alterna (extremo conductor) a la clavija de conexión de corriente alterna que se encuentra en la parte trasera de su equipo.
3. Conecte el otro extremo del cable al enchufe de la pared.

※ Desenchufe el aparato si no va a utilizarlo durante un largo período de tiempo.

#### Para ajustar el voltaje (opcional)

Si su equipo tiene un selector de voltaje en la trasera, asegúrese de que su enchufe se corresponde con el voltaje indicado antes de conectar el cable de corriente alterna.

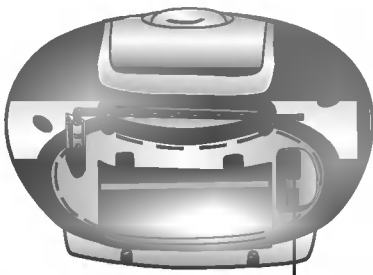
### Instalación de las pilas

#### Equipo (véase la figura ■)

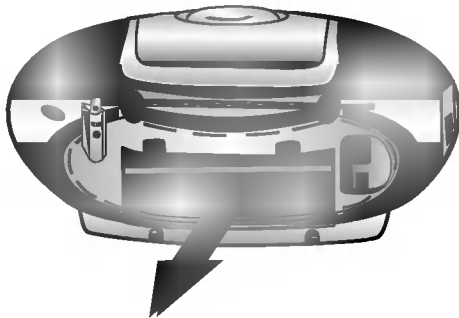
1. Extraiga la tapa del compartimento de las pilas.
2. Ponga 6 pilas "C" (R14) en el compartimento, y asegúrese de que los polos + y - están colocados correctamente.
3. Vuelva a poner la tapa del compartimento.

#### ADVERTENCIA:

1. Para evitar daños por sulfatación de las pilas, extráigaslas si no va a utilizar el aparato durante un largo período de tiempo.
2. Si se están terminando las pilas, cámbielas por otras nuevas.
3. Cuando esté conectado a la corriente no gasta pilas.



→ a un tomacorriente d



6 pilas "C" (R14)

## Ajuste de sonido

### VOLUMEN:

Mueva el regulador de volumen en el sentido de las agujas del reloj para subir el volumen y en sentido contrario, para bajarlo.

## Funcionamiento de la radio

### Seleccione AM o FM.

1. Elija la cadena que desee escuchar con el sintonizador.
2. Elija la opción **TAPE (OFF)** si desea apagar el equipo.

### ESTÉREO o MONO:

1. Para escuchar una emisión FM en estéreo, seleccione la opción FM MODE ST. Se encenderá el indicador FM ST.
2. Si está escuchando una emisión FM en estéreo y desea reducir el ruido, seleccione la opción FM MODE para escuchar la emisión en MONO. Perderá el efecto estéreo.

### ADVERTENCIA

Ajuste la antena para recibir la señal con mayor claridad.

1. **AM** : La antena está dentro del equipo, por lo que tendrá que moverlo para recibir mejor la señal.
2. **FM** : Saque la antena telescópica y ajuste el ángulo de recepción para recibir mejor la señal.

## Funcionamiento del cassette

1. Seleccione la función TAPE.
2. Para abrir la platina, pulse el botón (■/▲) ST/EJ.
3. Introduzca la cinta y cierre la platina
4. Pulse el botón PLAY (▶) reproducir la cinta
5. Pulse PAUSE (||) si desea parar la grabación durante un breve espacio de tiempo. Para continuar, vuelva a pulsar PAUSE.
6. Pulse FF (▶▶) o REW (◀◀) si desea adelantar o rebobinar la cinta.
7. Pulse (■/▲) ST/EJ para interrumpir la reproducción. La platina se parará automáticamente cuando la cinta llegue al final.

## Funcionamiento del CD

### Para reproducir un CD

1. Seleccione la opción de CD.
2. Pulse OPEN (■/▶||) para abrir el CD.
3. Introduzca el CD por el lado correspondiente.
4. Cierre el lector de CD. Aparecerá en pantalla el número de pistas del CD.
5. Pulse PLAY/PAUSE (▶||) para iniciar la reproducción. En la pantalla aparecerá el número de pista que se está reproduciendo.
6. Pulse PLAY/PAUSE (▶||) para interrumpir la reproducción.
7. Pulse PLAY/PAUSE (▶||) para continuar la reproducción. Cuando el CD está en la función de PAUSE aparecerá este símbolo (||) en la pantalla.
8. Para buscar una parte específica de la pista que se está reproduciendo, pulse de forma continuada el botón SKIP/SEARCH ◀◀/◀◀o ▶▶/▶▶, dependiendo si se encuentra antes o después. Escuchará la reproducción a mayor velocidad.
9. Para buscar una pista del CD:  
Pulse SKIP/SEARCH ◀◀/◀◀o ▶▶/▶▶ para buscar las pistas anteriores o posteriores. Tras haber pulsado uno de estos botones, aparecerá en la pantalla el número de pista que se ha seleccionado.
10. Pulse STOP (■) si desea interrumpir la reproducción del CD

### ADVERTENCIA:

1. No mueva el equipo si se está reproduciendo un CD, ya que éste puede resultar dañado.
2. No manipule el CD.
3. Limpie el CD con un paño que no deje pelusas.

### Para repetir una reproducción

Si pulsa de forma continuada el botón **REPEAT** aparecerán las siguientes opciones:

#### RPT 1

Repite una de las pistas.

#### RPT ALL

Repite todo el CD.

Si pulsa de nuevo **REPEAT**, se cancelará la opción

## Cómo grabar

### ADVERTENCIA

1. Los niveles de grabación han sido equipados en la fábrica bajo óptimas condiciones y no pueden ser cambiados.
2. Su equipo puede grabar en cintas normales y cromadas. Sin embargo, no se pueden utilizar cintas de metal.

### Grabación básica

1. Coloque el botón FUNCTION en la posición adecuada (RADIO o CD).
2. Introduzca una cinta virgen.
3. Pulse REC ● . El botón PLAY ► se conectará automáticamente.
4. Reproduzca el CD o la RADIO.
5. Pulse (■/▲) ST/EJ para terminar de grabar. La platina parará automáticamente cuando la cinta llegue al final.

### Grabación sincronizada del CD

Esta especificación permite grabar un CD completo en una cinta.

1. Seleccione la función CD e introduzca el CD que desea grabar.
2. Introduzca una cinta virgen.
3. Pulse REC ● . El botón PLAY ► se conectará automáticamente. Si graba de CD, el disco empieza a sonar unos 7 segundos después de haber pulsado REC (●).
4. Pulse ■ / ▲ ST/EJ para finalizar la grabación y pulse STOP (■) para finalizar la reproducción del CD.



**LG Electronics Inc.**

The following address and telephone numbers  
are available only for the customers of the  
MEXICO etc.

LG ELECTRONICS MEXICO, S.A. DE C.V.  
AV. SAN ANDRES ATOTO No.8  
COL. SAN ANDRES ATOTO  
NAUCALPAN, EDD. DE MEXICO  
C.P. 53500  
TEL: 358-5816, FAX: 357-0491

P/NO : 3828SNA016S