

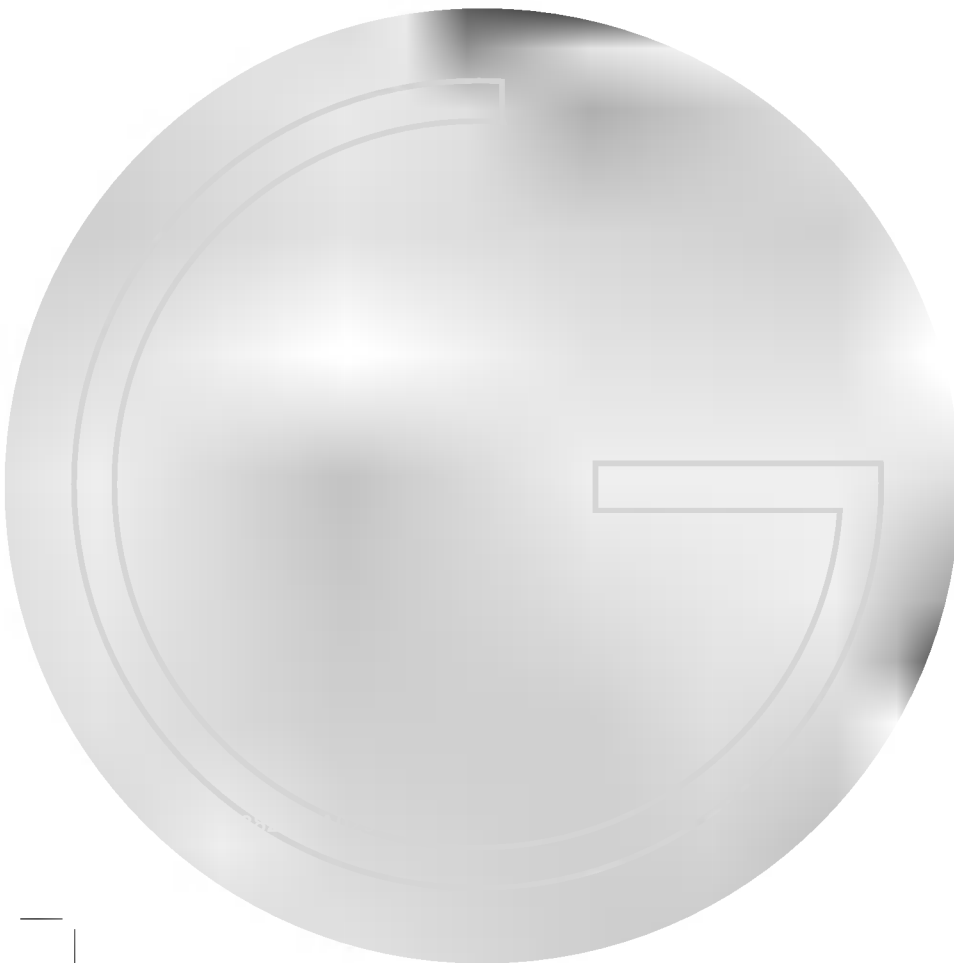


**CD/RADIO  
CASSETTE RECORDER**

**Owner's Manual**

**MODEL: CD-964A(AX)/969A(AX)  
CD-964L/969L(MW/FM/LW)  
CD-964S/969S(MW/FM/SW)**



Please read this manual carefully before operating your set.



**COMPACT  
disc  
DIGITAL AUDIO**

## WARNING

To reduce the risk of fire or electric shock, do not expose this appliance to rain or moisture.

	<b>CAUTION</b> RISK OF ELECTRIC SHOCK, DO NOT OPEN	
<b>CAUTION:</b> TO REDUCE THE RISK OF ELECTRIC SHOCK, DO NOT REMOVE COVER(OR BACK) NO USER SERVICEABLE PARTS INSIDE. REFER SERVICING TO QUALIFIED SERVICE PERSONNEL.		

The graphical symbols marked on the bottom or back of the set mean the following explanation.



The lightning flash with arrowhead within an equilateral triangle is intended to alert the user to the presence of uninsulated "dangerous voltage" within the product's enclosure that may be of sufficient magnitude to constitute a risk of electric shock to persons.



The exclamation point within an equilateral triangle is intended to alert the user to the presence of important operating and maintenance (servicing instructions in the literature accompanying the appliance.

To avoid electrical shock; do not open the cabinet. Refer servicing to qualified personnel only.

Shock hazard - do not open.

### CAUTION

Use of controls or adjustments or performance of procedures other than those specified herein may result in hazardous radiation exposure.

This class B digital apparatus meets all requirements of the Canadian Interference - Causing Equipment Regulations.

### For the customers in Europe

Laser component in this product is capable of emitting radiation exceeding the limit for Class 1

CLASS 1 LASER PRODUCT  
KLASSE 1 LASER PRODUKT  
LUOKAN 1 LASER LAITE  
KLASS 1 LASER APPARAT  
CLASSE 1 PRODUCT LASER

This Compact Disc player is classified as a CLASS 1 LASER product.

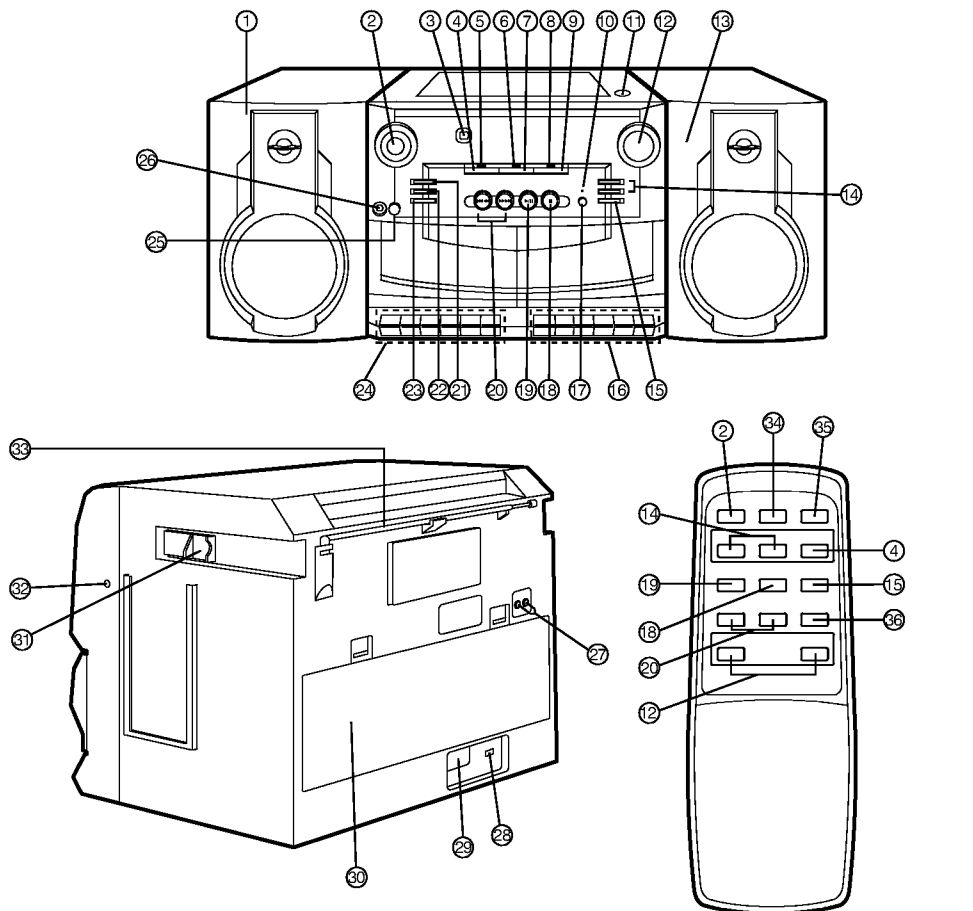
The CLASS 1 LASER PRODUCT label is located on the exterior.

CAUTION: INVISIBLE LASER RADIATION WHEN OPEN AND INTERLOCKS DEFEATED. AVOID EXPOSURE TO BEAM.  
WARNING: OSYNLIG LASERSTRÅLNING NÄR DENNA DEL ÄR ÖPPNAD STRÅLEN ÄR FÄRLIG.  
ATTENTION: Quand l'appareil est ouvert, ne pas s'exposer aux radiations invisibles du faisceau laser.

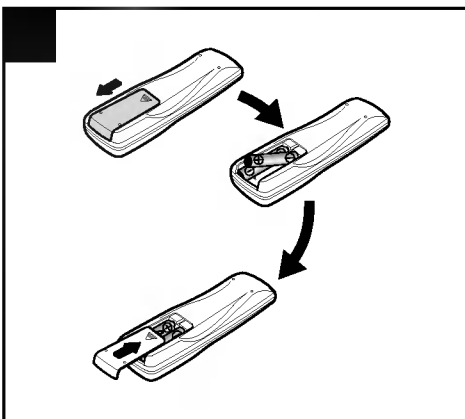
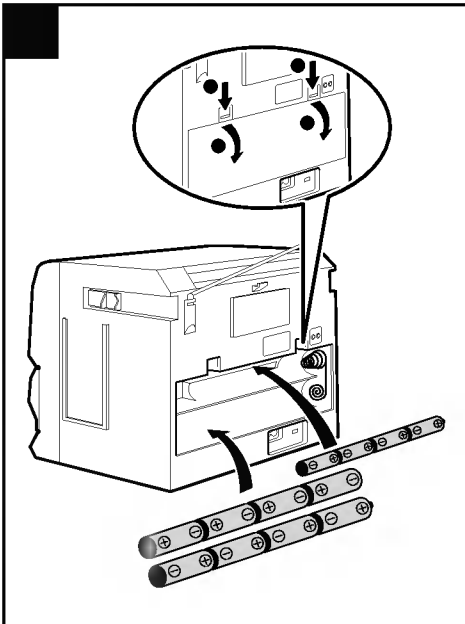
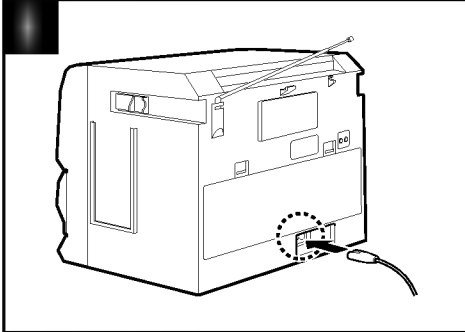
This label is located on the interior

The power switch of this unit is secondly mounted and does not disconnect the whole unit from the mains supply in the OFF position.

## Location of Controls



- |                         |                             |                              |
|-------------------------|-----------------------------|------------------------------|
| ① Speaker (L)           | ⑭ PRESET(∧ / ∨) button      | ⑳ Microphone input socket    |
| ② POWER button          | ⑮ SET/PROG./MEMORY button   | ㉑ Speaker input socket(R/L)  |
| ③ Remote sensor         | ⑯ Deck B controls           | ㉒ Voltage selector(optional) |
| ④ TUNER/BAND button     | ⑰ UBB button                | ㉓ AC power input socket      |
| ⑤ TUNER indicator       | ⑱ STOP button(■)            | ㉔ Battery compartment        |
| ⑥ CD indicator          | ⑲ PLAY/PAUSE button(▶ /   ) | ㉕ Speaker release lever      |
| ⑦ CD button             | ⑳ SKIP/SEARCH(◀◀◀◀, ▶▶▶▶)   | ㉖ Reset button               |
| ⑧ TAPE indicator        | ㉑ TUNING/TIME(-, +)button   | ㉗ Telescopic antenna         |
| ⑨ TAPE button           | ㉒ CLOCK button              | ㉘ SLEEP button               |
| ⑩ UBB indicator         | ㉓ TIMER button              | ㉙ EQ button                  |
| ⑪ CD OPEN button (▲)    | ㉔ MODE/RIF button           | ㉚ REPEAT button              |
| ⑫ VOLUME button (∧ / ∨) | ㉕ Deck A controls           |                              |
| ⑬ Speaker (R)           | ㉖ HI-DUBB button            |                              |



**The AC power cord connection (see fig. ■)**

1. Before connecting the AC power cord, check that the operating voltage of your unit is identical with the voltage of your local power supplied.
  2. Connect one end of the AC power cord (supplied) to the AC IN socket located at the backside of your main unit.
  3. Plug the other end into the wall outlet.
- ※ Unplug the AC power cord from the wall outlet if you do not use for an extended period of time.

**Adjusting the voltage(optional)**

If your set is equipped with a voltage selector at the backside, be sure to set it to your local power supplied before connecting the AC power cord.

**NOTE:**

1. “HELLO” will be shown in the display when you connect the AC power cord to the wall outlet.
2. Press **POWER** to turn the main unit on. (Press it again to turn off.)

**Battery installation (see fig. ■)**

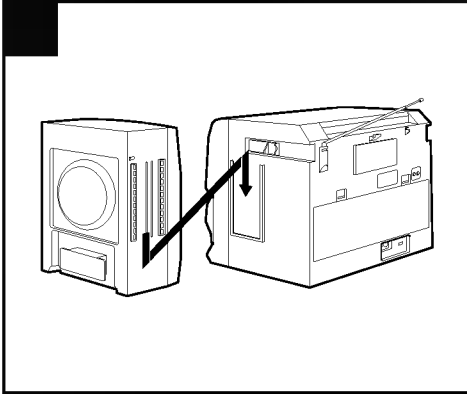
1. Press open the battery cover.
2. Put eight “D”(R20) batteries and four “AA” (R06) batteries into the compartment making sure the ⊕ and ⊖ are correctly positioned.
3. Replace the cover.

**Battery installation (see fig. ■)**

1. Slide open the battery cover.
2. Put two “AAA”(R03) batteries into the compartment.
3. Replace the cover.

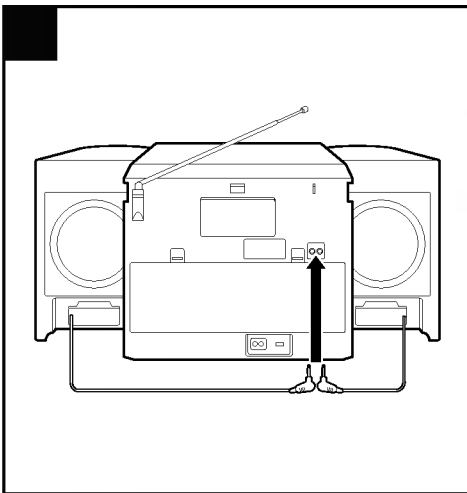
**NOTE:**

1. To avoid damage from possible battery leakage, remove the batteries if you do not plan to use the set for an extended period of time.
2. When the batteries are weak, replace all the batteries with new one.
3. During the AC power cord connect to the wall outlet, the batteries are not worn out.
4. The “AA”(R06) batteries operates on the clock and retain the preset radio stations even when the AC power cord is unplugged.



### Speaker Attachment (see fig. ■)

1. Position the speaker guide slots with the guide ribs on the main unit.
2. Gently push the speaker downwards until the speaker release lever automatically locks the speaker into place.



### Speaker Lead Connection (see fig. ■)

1. Plug the right speaker lead into the "R" speaker socket located at the backside of your main unit.
2. Plug the left speaker lead into the "L"

### Speaker Detachment (see fig. ■)

1. Unplug the speaker leads.
2. Press the speaker release lever and slide the speaker up.

## Sound Adjustment

### VOLUME:

To increase the sound level, press **VOLUME**  $\wedge$  .

To decrease the sound level, press **VOLUME**  $\vee$  .

When you turn main unit on, the current sound level number will be shown in the display.

### UBB:

Repeatedly press **UBB** to select one of two sound

effect for emphasizing the bass sound.(The UBB indicator will light)

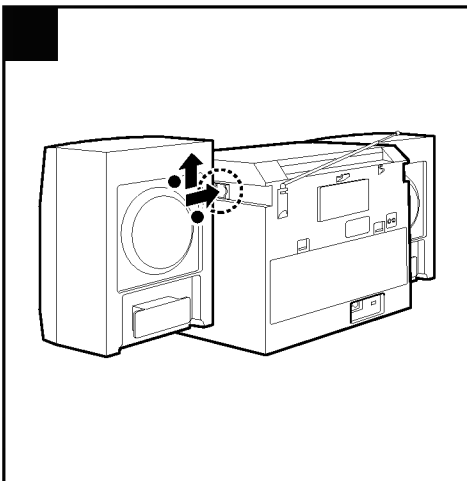
**Ubb-H**  $\rightarrow$  **Ubb-L**  $\rightarrow$  **OFF**  
 $\leftarrow$   $\rightarrow$

Repeatedly press **UBB** to turn this feature off until the UBB indicator disappear.

### EQ:

Repeatedly press **EQ** to select one of four sound effect; **FLAT, ROCK, CLASSIC, POP**

The EQ indicator will be shown in the display.



### Auto Function Select:

1. If you press **CD PLAY/PAUSE** ( $\blacktriangleright$  /  $\parallel$ ) during listen to the radio, CD playback will begin.
2. If you press **PRESET** ( $\wedge$  ,  $\vee$  ) or **BAND** during CD play, radio function will work.

## Radio Operation

1. Repeatedly press **TUNER/BAND** to select your desired waveband.
2. Tune to your station using **TUNING(- or +)**.

**Manual:** Tap **TUNING(- or +)** one by one to change the station.

**Automatic:** Press **TUNING(- or +)** for about 1 second, your radio will automatically stop on the next available station.

### STEREO or MONO:

1. Press **MODE** to listening to an FM stereo broadcast. The FM STEREO indicator will light.
2. Press **MODE** again when listening to an FM stereo broadcast. Selecting this function will substantially reduce the noise, however the stereo effect will be lost.

### NOTE:

Adjust the antenna to get more clear reception.

1. AM(MW)/LW: The antenna is built within the unit and rotate the unit for better reception.
2. FM/SW: Pull the telescopic antenna out and adjust the angle and direction for the better reception.

### To preset the station

1. Tune to your station.
2. Press **MEMORY**, the "MEMORY" will light and the preset number will flash. If all preset memory positions are full, "FULL" will light and the preset number will flash.
3. Press **PRESET(∧ or ∨)** to select the numbered preset you wish the station to be stored in.
4. Press **MEMORY** to store your setting.
5. Repeat stages 1-4 to store other stations. You can store up to maximum 30 stations
6. Press **PRESET(∧ or ∨)** to select the numbered preset that you wish to listen too.

### To erase all preset channels

1. Press **MEMORY** for about 2 seconds during listen to radio. "DEL" will flash.
2. Press **MEMORY** again during "DEL" flash. All preset channels will be erased.

## Cassette Operation

1. Press **TAPE**.
2. Open the cassette door by pressing **ST/EJ** (■ / ▲) (Deck A or B)
3. Insert a cassette and push close the door.
4. Press **PLAY** to playback.
5. Press **PAUSE(II)** to pause. Press **PAUSE(II)** again to resume play.
6. Press **FF** or **REW** to fast forward or rewind the tape.
7. Press **ST/EJ(■ / ▲)** to stop play. Your cassette deck will automatically stop at the end of the tape.

### Auto Reverse

This function is for the model only CD- 969

### To change the playback side:

Press **DIR** (↔) of deck B during playback.

### PLAY MODE:

1. Set **PLAY MODE** to **■ ↺** by pressing. Both sides of a cassette are played and stops automatically at the end of the tape.
2. Set **PLAY MODE** to **■ ↻** by pressing. Both sides of a cassette are played continuously.

### Continuous Play

1. Press **TAPE**.
2. Insert a cassette into each deck.
3. Be sure **PLAY MODE** of deck B (CD-969) is in **■ ↺** position.
4. Press **PLAY** of deck B. The cassette will begin to play.
5. Press **PLAY (▶)** and **PAUSE(II)** of deck A. After the cassette in the deck B is finished playing, the cassette in deck A is played.
6. Press **ST/EJ(■ / ▲)** to stop play.

## Karaoke

You may also use your unit as a karaoke (sing along) machine.

1. Plug a microphone into the **MIC** socket.
2. Start playing a **TAPE, RADIO** or **CD**.
3. Start speaking or singing into the microphone.
4. If you wish the recording, insert the blank cassette into deck A and press **●REC**.

### NOTE:

1. Microphone is not supplied.
2. You can't the microphone recording during dubbing for double speed recording.

## CD Operation

1. Press **CD**.
2. Press **OPEN** (▲) to open the disc compartment.
3. Load a disc with the printed side facing up.
4. Close the disc compartment. The display will show the total number of tracks and playing time.
5. Press **PLAY/PAUSE** (▶/||) to begin play. The track number and the elapsed playing time will be shown in the display.
6. Press **PLAY/PAUSE** (▶/||) to pause. When a track is paused, || will light in the display.
7. Press **PLAY/PAUSE** (▶/||) again to resume play.
8. How to search for a particular section of music on the track that is playing; Press and hold **SKIP/SEARCH** (◀◀◀ or ▶▶▶) to search backwards or forwards, you will be able to faintly hear the track being played at high speed.
9. How to search for a particular track on the current disc; Press **SKIP/SEARCH** (◀◀◀ or ▶▶▶) to search for a particular track. After each press of this buttons the new track number will be shown in the display.
10. Press **STOP** (■) to stop playing a disc.

### NOTE:

1. Do not tilt or move your unit with discs loaded. If you do you may damage the discs and your set.
2. Do not touch the playing side of **CD**; the side without any printing on it.
3. Clear your **CD** from the middle outwards with a soft lint free cloth.

### Repeat Play

By repeatedly pressing **REPEAT** the following options will be displayed in the display.

#### REPEAT 1

One track is played repeatedly.

#### REPEAT ALL

An entire disc is played repeatedly.

The next press of **REPEAT** will cancel the feature.

## CD Operation

### Programming a track sequence

1. Press **MEMORY(PROG.)** while in stop mode. The **MEMORY** indicator will appear in the display. The track number will flash.
2. Select the first track in your program by pressing **SKIP/SEARCH** (◀◀◀, ▶▶▶).
3. Press **MEMORY(PROG.)** The first track is stored.
4. Repeat stages 2-3 to store other tracks. You may store up to 20 tracks.
5. Press **PLAY/PAUSE** (▶/||) to play your selection.
6. Press **STOP** (■) to stop playing.

### How to change the contents of an existing program:

1. Repeatedly press **MEMORY(PROG.)** while in stop mode to select the track that you wish to change.
2. Select the new track by pressing **SKIP/SEARCH** (◀◀◀ or ▶▶▶).
3. Press **MEMORY(PROG.)** to store your revised selection.

### How to add to the contents of an existing program:

1. Repeatedly press **MEMORY(PROG.)** while in stop mode until "00" flash.
2. Select the new track by pressing **SKIP/SEARCH** (◀◀◀ or ▶▶▶).
3. Press **MEMORY(PROG.)** to store your revised selection.

### To erase an existing program:

- Press **STOP** (□) before playing your selection.
- Press **OPEN** (▲) to open the disc compartment.

You may record from the microphone onto a cassette placed into cassette deck A.

1. Repeatedly press **SLEEP** to select a desired minutes. The “**SLEEP**” will be shown in the display.
2. To confirm the remaining sleep time press **SLEEP** once. The remaining time will be shown in the display.
3. To cancel, repeatedly press **SLEEP** until the “**SLEEP**” disappear.

### Clearing Malfunction

1. Unplug the AC power cord.
  2. Press **RESET** on the right side of main unit for 5 seconds by using a pointed tool. All your setting may be erased.
- ※ Don't press **RESET** possible except when there is a malfunction.

#### NOTE:

1. Recording levels have been preset at the factory under optimum conditions and cannot be changed.
2. Your unit can record onto Normal;CrO<sub>2</sub> tapes and metal tapes cannot be used.
3. If you press ●**REC**, **PLAY**(▶) goes down automatically.

### Basic Recording

1. Press the function button one which you wish to record from.(**TUNER**, **CD**, **TAPE**)
  2. Insert a blank cassette into deck A.
  3. Press ●**REC**.
  4. Start playing your CD or **RADIO** .
  5. Press **ST/EJ**(■/▲) to finish recording. Your cassette deck will automatically stop at the end of the tape.
- ※ Press **RIF** to reduce the noise when **AM** broadcast recording. “kHz” will flash.

### Dubbing

Your main unit can record from one cassette to another at normal speed or double speed.

1. Insert the blank cassette into deck A.
2. Insert the pre-recorded cassette into deck B.
3. Press **HI-DUBB** to record at double speed (**ON** ➡). Press it again to record at normal speed (**OFF** ■).
4. Press **PAUSE**(||) and ●**REC** of deck A.
5. Press **PLAY** of deck B to begin recording.
6. Press **ST/EJ**(■/▲) to finish recording.

#### NOTE:

Can't change recording speed during the dubbing.

### CD Synchro Recording

This feature automatically records an entire CD or programmed selection of tracks onto a cassette.

1. Load a disc and insert the blank cassette into deck A. If you wish to record a programmed selection of tracks program them now.
2. Press ●**REC** on deck A. Recording will start automatically. **SYNCHRO** indicator will be shown in the display.
3. Press **ST/EJ**(■/▲) and **STOP**(■) to finish recording. Your cassette deck will automatically stop at the end of the tape.

1. Press **CLOCK** until the time flash.
  2. Select a 24 hour cycle or 12 hour cycle by using **TIME (- or +)** "**AM 12:00**" or "**0:00**"
  - 3 Press **SET**, the hour number will flash.
  4. Press **TIME(- or +)** to select the hour; when the correct hour is selected press **SET**.
  5. The minute numbers will flash. Press **TIME(- or +)** to select the minutes; when the correct time is selected press **SET**. The clock setting is completed
  6. Press **CLOCK** to confirm the current time. Press it again, the time will be disappeared.
- The main unit is turned off, the current time will be shown in the display.

### Programming Timer

The **TIMER** function allows you to turn the radio or CD on and off at a preset time. Remember in order to use the timer feature the clock must be set correctly.

Check that your main unit is keeping the correct time.

1. Select your desired radio station or press **CD** and load a disc.
2. Press **TIMER** until "**CD**" and "**TUN**" flash. The time you wish your main unit to start **TIMER ON** will appear.
3. Press **SET** when your desired indicator flash. The hour number will flash. Press **TIME(- or +)** to select the hour.
4. Press **SET**. The minute numbers will flash. Press **TIME(- or +)** to select minutes.
5. Press **SET**. The time you wish your main unit to stop **TIMER OFF** will appear. The hour number will flash. Press **TIME(- or +)** to select the hour.
6. Press **SET**. The minute numbers will flash. Press **TIME(- or +)** to select minutes.
7. Press **SET**. **VOL** indicator will flash. Press **TIME(- or +)** to select the volume level.
8. Press **SET**. Your selection will serially appear in the display. **TIMER ON** and **TIMER OFF** will appear in the display.
9. Press **TIMER** to cancel, **TIMER ON** and **TIMER OFF** indicator will disappear. Each time **TIMER** is pressed you can select the timer setting or cancel. You can also confirm timer setting.
10. Turn your main unit off.

### ● RADIO SECTION

#### Tuning range

AM(MW)..... 522~1611kHz or  
530~1720kHz(USA)

FM..... 87.5~108MHz  
65~108MHz(AX)

SW..... 5.8~18MHz

LW.....153~281kHz

#### Intermediate frequency

AM(MW)/SW/LW.....450kHz

FM..... 10.7MHz

#### Antenna

AM(MW)/LW.....Ferrite bar antenna

FM/SW..... Telescopic antenna

### ● CASSETTE SECTION

Frequency response..... 125~8000Hz

S/N ratio ..... 40/45dB(Rec/Play)

### ● CD PLAYER SECTION

Frequency response ..... 100~18000Hz

S/N ratio ..... 65dB(1kHz)

### ● GENERAL

Speaker ..... 8Ω x 2

Output power (T.H.D10%) ..... 7.5W x 2

AC operation ..... Refer to the indicated  
voltage on the backside of unit

#### Battery operation

Main unit ..... DC12V, eight "D"(R20)

Clock/Memory ..... DC6V, four "AA"(R06)

Remote control ..... DC3V, two "AAA"(R03)

Power consumption .....40W

Dimensions(W x H x D) ...605 x 245 x 210mm

Weight ..... 5.7kg

#### NOTE:

Design and specifications are subject to change without notice for improvement.