



DVD Player

OWNER'S MANUAL

MODEL: DZ9300 / DZ9400 / DZ9800



Before connecting, operating or adjusting this product, please read this instruction booklet carefully and completely.

P/NO : 3834RD0045B

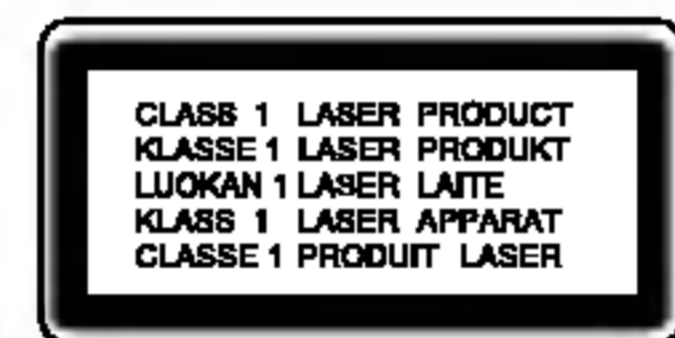
Safety Precautions



CAUTION: THESE SERVICING INSTRUCTIONS ARE FOR USE BY QUALIFIED SERVICE PERSONNEL ONLY. TO REDUCE THE RISK OF ELECTRIC SHOCK DO NOT PERFORM ANY SERVICING OTHER THAN THAT CONTAINED IN THE OPERATING INSTRUCTIONS UNLESS YOU ARE QUALIFIED TO DO SO.



Caution: The apparatus should not be exposed to water (dripping or splashing) and no objects filled with liquids, such as vases, should be placed on the apparatus.



CAUTION: This product employs a Laser System. To ensure proper use of this product, please read this owner's manual carefully and retain for future reference. Should the unit require maintenance, contact an authorized service center. Use of controls, adjustments, or the performance of procedures other than those specified herein may result in hazardous radiation exposure. To prevent direct exposure to laser beam, do not try to open the enclosure. Visible laser radiation when open. **DO NOT STARE INTO BEAM.**



WARNING: Do not install this equipment in a confined space such as a bookcase or similar unit.



This product is manufactured to comply with the radio interference requirements of EEC DIRECTIVE 89/336/EEC, 93/68/EEC and 73/23/EEC.

CAUTION concerning the Power Cord

Most appliances recommend they be placed upon a dedicated circuit; That is, a single outlet circuit which powers only that appliance and has no additional outlets or branch circuits. Check the specification page of this owner's manual to be certain.

Do not overload wall outlets. Overloaded wall outlets, loose or damaged wall outlets, extension cords, frayed power cords, or damaged or cracked wire insulation are dangerous. Any of these conditions could result in electric shock or fire. Periodically examine the cord of your appliance, and if its appearance indicates damage or deterioration, unplug it, discontinue use of the appliance, and have the cord replaced with an exact replacement part by an authorized servicer.

Protect the power cord from physical or mechanical abuse, such as being twisted, kinked, pinched, closed in a door, or walked upon. Pay particular attention to plugs, wall outlets, and the point where the cord exits the appliance.


SERIAL NUMBER: The serial number is found on the bottom of this unit. This number is unique to this unit and not available to others. You should record requested information here and retain this guide as a permanent record of your purchase.

Model No. _____

Serial No. _____

Table of Contents

Introduction

Safety Precautions	2
Table of Contents	3
Before Use	4-5
Symbol used in this Manual	4
About the  Symbol Display	4
Notes on Discs	4
Maintenance and Service	5
Types of Playable Discs	5
Front Panel	6
Remote Control	7
Setting up the Player	8-9
DVD Player Connections	8
Audio Connection to Optional Equipment	9

Advanced Operations

General Features	10-16
On-Screen Display	10
Moving to another CHAPTER/TRACK	10
Slow Motion	10
Title Menu	10
Disc Menu	10
Changing the Audio Language	10
Search	10
Still Picture and Frame-by-Frame Playback	10
Marker Search	11
Repeat A-B	11
Repeat	11
Random	11
Zoom	12
Camera Angle	12
Subtitles	12
Changing the Audio Channel	12
Last Scene Memory	12
Screen Saver	12
System Select	12

Playing an Audio CD and MP3/WMA Disc	13
MP3 / WMA disc compatibility with this player is limited as follows	13
Audio CD and MP3/WMA Disc Features	13
• Pause	14
• Moving to another Track	14
• Random	14
• Repeat Track/ All/ Normal	14
• Repeat A-B	14
• Search	14
Viewing a JPEG disc	15
• Moving to another File	15
• To rotate picture	15
• Still Picture	15
• Zoom	15
• JPEG disc compatibility with this player is limited as follows	15
Programmed Playback	16
• Erasing a Track from program list	16

Initial Settings

Initial Settings	17-22
General Operation	17
LANGUAGE	17
DISPLAY	18
AUDIO	19
LOCK (Parental Control)	20-21
OTHERS	22

Reference

Additional Information	23
Controlling other TVs with the remote control	23
Troubleshooting	24
Language Codes	25
Area Codes	26
Specifications	27

Before Use

To ensure proper use of this product, please read this owner's manual carefully and retain for future reference.

This manual provides information on the operation and maintenance of your DVD player. Should the unit require service, contact an authorized service location.

Symbol Used in this Manual



The lightning flash symbol alerts you to the presence of dangerous voltage within the product enclosure that may constitute a risk of electric shock.



The exclamation point alerts you to the presence of important operating and maintenance / servicing instructions.



Indicates hazards likely to cause harm to the unit itself or other material damage.

DVD DVD and finalized DVD±R/RW

VCD Video CDs.

CD Audio CDs.

MP3 MP3 discs.

WMA WMA discs.

JPEG JPEG discs.

NOTE


Indicates special notes and operating features.

TIP

Indicates tips and hints for making the task easier.

A section whose title has one of the following symbols is applicable only to the disc represented by the symbol.

About the Symbol Display

“  ” may appear on your LCD display during operation and indicates that the function explained in this owner's manual is not available on that specific DVD video disc.

Notes on Discs

Handling Discs

Do not touch the playback side of the disc. Hold the disc by the edges so that fingerprints do not get on the surface. Never stick paper or tape on the disc.

Storing Discs



After playing, store the disc in its case. Do not expose the disc to direct sunlight or sources of heat and never leave it in a parked car exposed to direct sunlight.

Cleaning Discs

Fingerprints and dust on the disc can cause poor picture quality and sound distortion. Before playing, clean the disc with a clean cloth. Wipe the disc from the center out.

Do not use strong solvents such as alcohol, benzine, thinner, commercially available cleaners, or anti-static spray intended for older vinyl records.

Remote Control Battery installation

Detach the battery cover on the rear of the remote control, and insert two batteries (size AAA) with  and  aligned correctly.

Before Use (Continued)

Maintenance and Service

Refer to the information in this chapter before contacting a service technician.

Handling the Unit

When shipping the unit

Please save the original shipping carton and packing materials. If you need to ship the unit, for maximum protection, re-pack the unit as it was originally packed at the factory.

Keeping the exterior surfaces clean

- Do not use volatile liquids such as insecticide spray near the unit.
- Do not leave rubber or plastic products in contact with the unit for a long period of time, since they leave marks on the surface.

Cleaning the unit

To clean the player, use a soft, dry cloth. If the surfaces are extremely dirty, use a soft cloth lightly moistened with a mild detergent solution.

Do not use strong solvents such as alcohol, benzine, or thinner, as these might damage the surface of the unit.

Maintaining the Unit

The DVD player is a high-tech, precision device. If the optical pick-up lens and disc drive parts are dirty or worn, the picture quality could be diminished.

Depending on the operating environment, regular inspection and maintenance are recommended after every 1,000 hours of use.

For details, please contact your nearest authorized service center.

Types of Playable Discs

This unit plays DVD, Video CD, Audio CD, DVD±R, DVD±RW, SVCD, and CD-R or CD-RW that contains audio titles, MP3, WMA or JPEG files.

Manufactured under license from Dolby Laboratories. “Dolby”, “Pro Logic”, and the double-D symbol are trademarks of Dolby Laboratories.

DTS and DTS Digital Out are trademarks of Digital Theater Systems, Inc.

NOTES

- Depending on the conditions of the recording equipment or the CD-R/RW (or DVD±R/±RW) disc itself, some CD-R/RW (or DVD±R/±RW) discs cannot be played on the unit.
- Do not attach any seal or label to either side (the labeled side or the recorded side) of a disc.
- Do not use irregularly shaped CDs (e.g., heart-shaped or octagonal). It may result in malfunctions.

Notes on DVDs and Video CDs

Some playback operations of DVDs and Video CDs may be intentionally programmed by software manufacturers. This unit plays DVDs and Video CDs according to disc content designed by the software manufacturer, therefore some playback features may not be available or other functions may be added.

Regional code

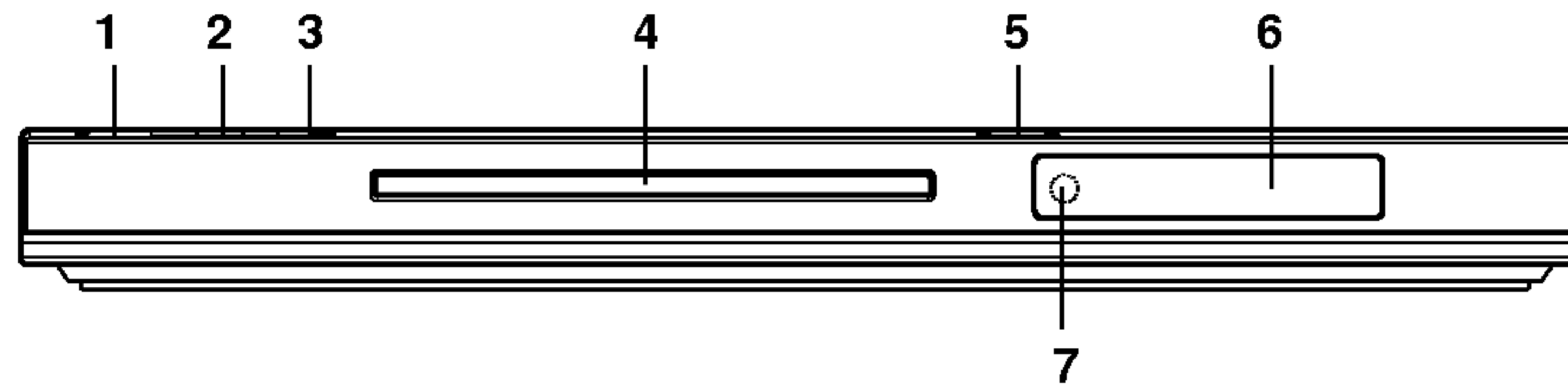
This DVD player is designed and manufactured for playback of region “2” encoded DVD software. This unit can play only DVD discs labeled “2” or “ALL”.

If you try to play a DVD with a different region code from your player, the message “Check Regional Code” appears on the screen.

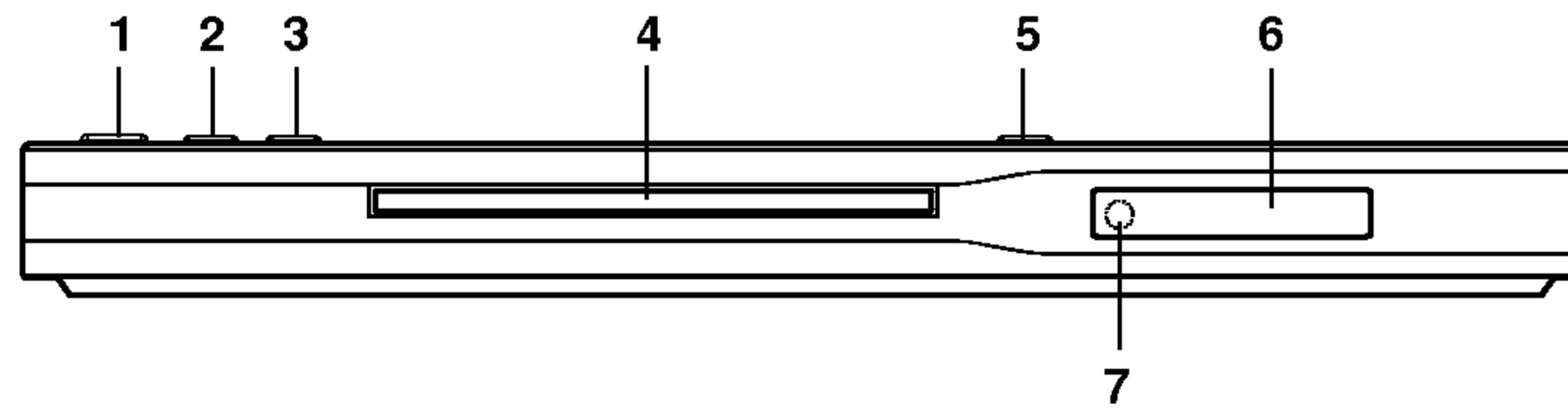


Front Panel

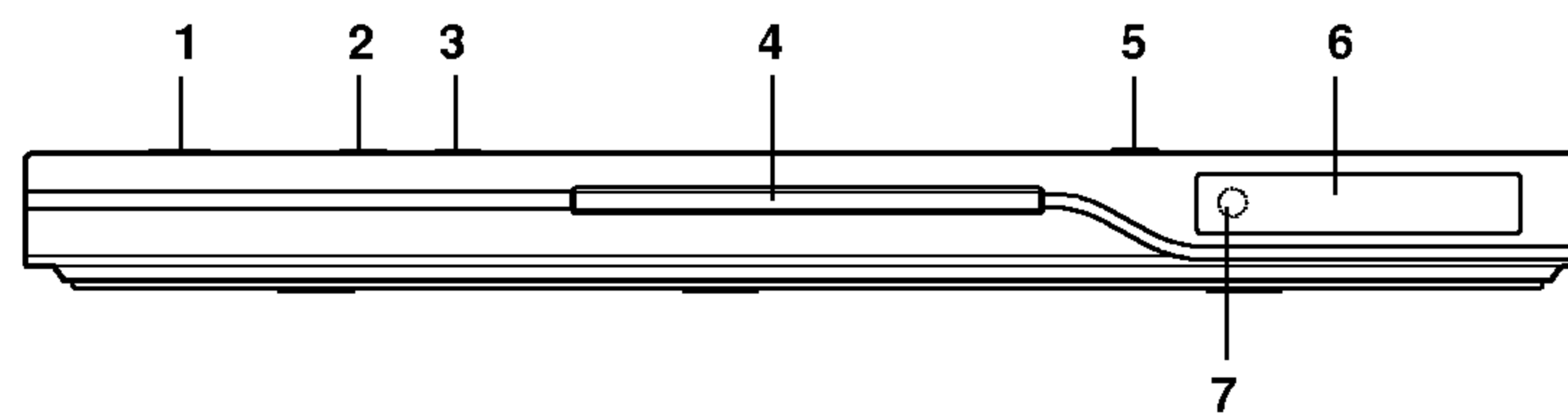
DZ9300



DZ9400

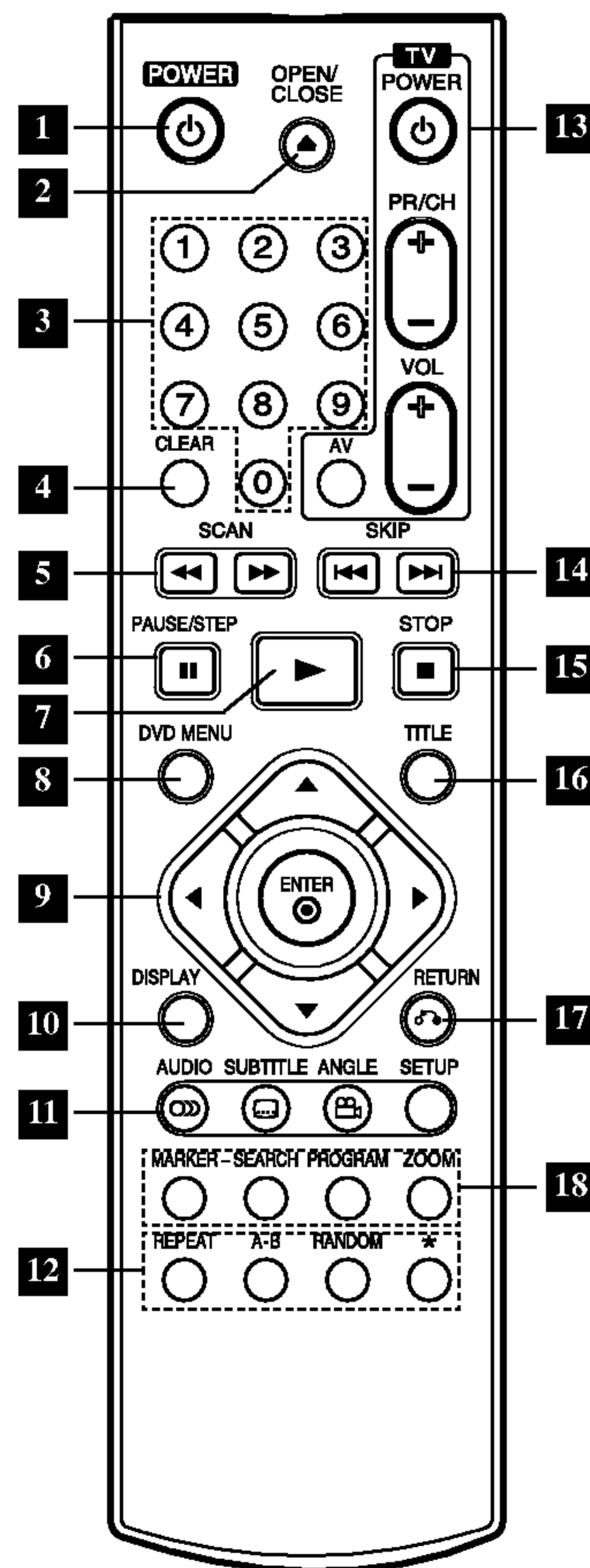


DZ9800



- 1. POWER**
Switches the player ON and OFF.
- 2. PLAY (▶)**
Starts playback.
- 3. STOP (■)**
Stops playback.
- 4. Disc Tray**
Insert a disc here.
- 5. OPEN / CLOSE (▲)**
Opens or closes the disc tray.
- 6. Display window**
Shows the current status of the player.
- 7. Remote Sensor**
Point the DVD Player remote control here.

Remote Control



1 POWER
Switches DVD Player ON and OFF.

2 OPEN / CLOSE
Opens and closes the disc tray.

3 0-9 number buttons
Selects numbered items in a menu.

4 CLEAR
Removes a track number on the Playlist or a mark on the MARKER SEARCH menu.

5 SCAN (◀▶ / ▶▶)
Search backward or forward.

6 PAUSE / STEP (⏸)
Pauses playback temporarily/press repeatedly for frame-by-frame playback.

7 PLAY (▶)
Starts playback.

8 DVD MENU
Accesses menu on a DVD disc.

9 ◀▶▲▼ (left/right/up/down)
Selects an item in the menu.

• ENTER
Confirms menu selection.

10 DISPLAY
Accesses On-Screen display.

11 • AUDIO
Selects an audio language (DVD).

• SUBTITLE
Selects a subtitle language.

• ANGLE
Selects a DVD camera angle if available

• SETUP
Accesses or removes setup menu.

12 • REPEAT
Repeat chapter, track, title all.

• A-B
Repeat sequence.

• RANDOM
Plays tracks in random order.

• *
This button is not available.

13 TV Control Buttons

TV POWER:
Turns the TV on or off.

TV PR/CH +/-:
Selects TV's channel.

TV VOL +/-:
Adjusts TV's volume.

AV:
Selects the TV's source.

14 SKIP (◀◀ / ▶▶)
Go to next chapter or track.
Returns to beginning of current chapter or track or go to previous chapter or track.

15 STOP (■)
Stops playback.

16 TITLE
Displays title menu, if available.

17 RETURN
Removes the setup menu, displays the video CD with PBC.

18 • MARKER
Marks any point during playback.

• SEARCH
Displays MARKER SEARCH menu.

• PROGRAM
Places a track on the program list.

• ZOOM
Enlarges video image.

Setting up the Player

DVD Player Connections

Depending on your TV and other equipment there are various ways you can connect the player. Please refer to the manuals of your TV, stereo system or other devices as necessary for additional connection information.

Video and Audio Connections to Your TV

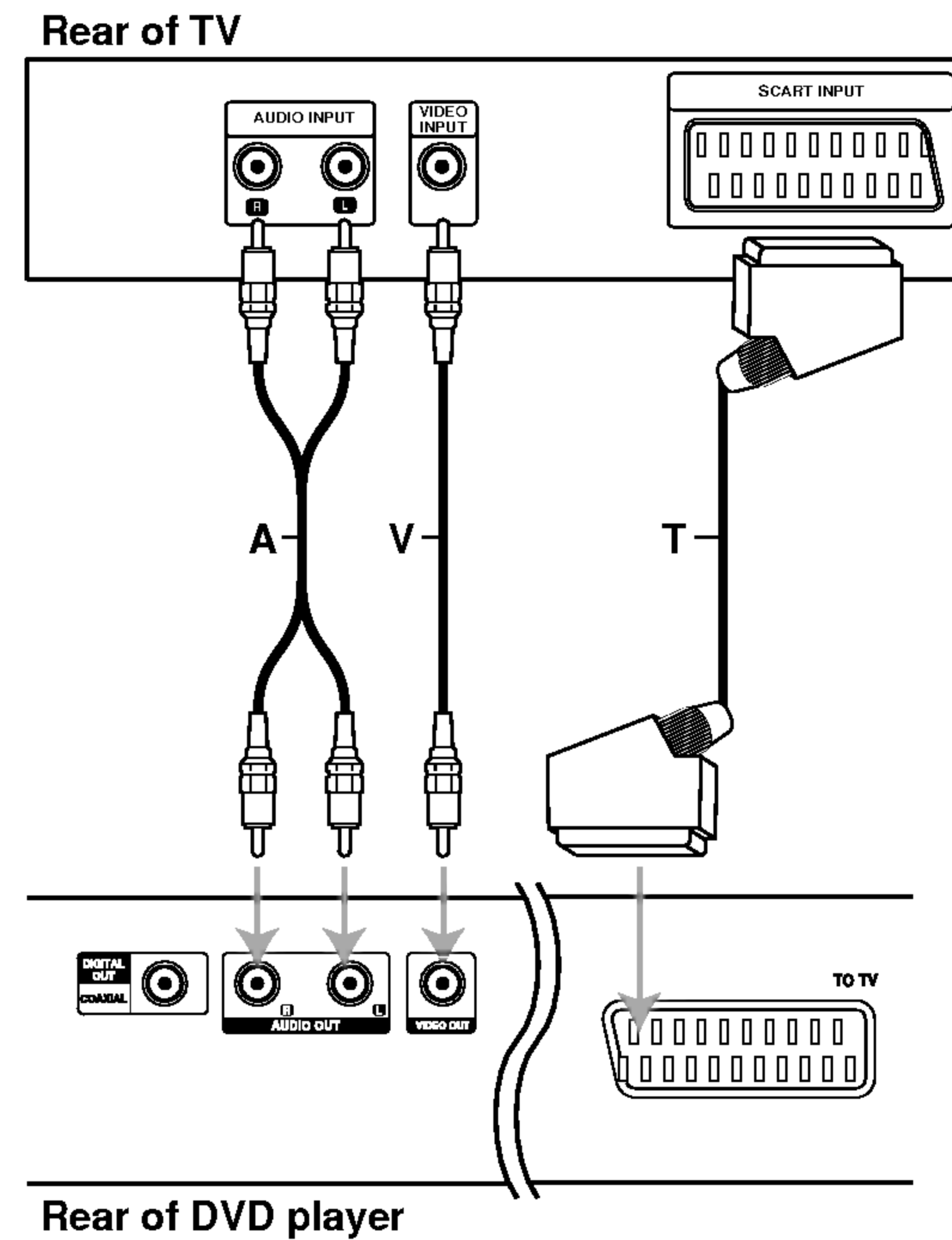
Make sure the DVD player is connected directly to the TV and not to a VCR, otherwise the DVD image could be distorted by the copy protection system.

Video: Connect the VIDEO OUT jack on the DVD player to the video in jack on the TV using the video cable (V).

SCART connection: Connect the TO TV scart jack on the DVD Player to the corresponding in jacks on the TV using the scart cable (T).

Audio Connection to Your TV:

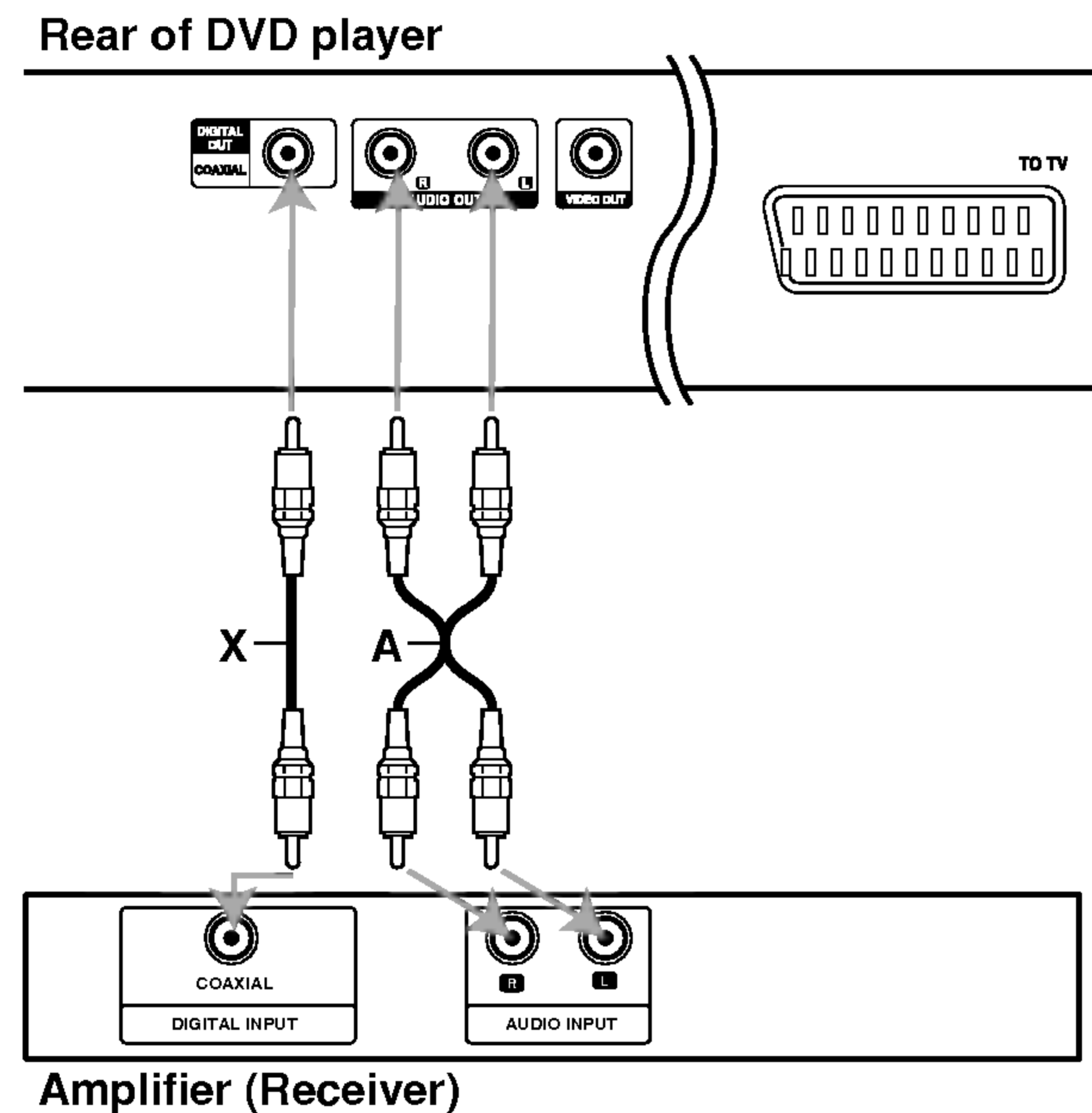
Connect the left and right AUDIO OUT jacks of the DVD Player to the audio left and right IN jacks on the TV (A) using the audio cables. Do not connect the DVD Player's AUDIO OUT jack to the phone in jack (record deck) of your audio system.



Setting up the Player (continued)

Audio Connection to Optional Equipment

Connect the DVD player to your optional equipment for audio output.



Amplifier equipped with 2-channel analog stereo or Dolby Pro Logic II / Pro Logic: Connect the left and right AUDIO OUT jacks on the DVD player to the audio left and right IN jacks on your amplifier, receiver, or stereo system, using the audio cables (A).

Amplifier equipped with 2-channel digital stereo (PCM) or audio / video receiver equipped with a multi-channel decoder (Dolby Digital™, MPEG 2, or DTS): Connect one of the DVD Player's DIGITAL AUDIO OUT jacks (COAXIAL X) to the corresponding in jack on your amplifier. Use an optional digital (coaxial X) audio cable.

Digital Multi-channel sound

A digital multi-channel connection provides the best sound quality. For this you need a multi-channel audio / video receiver that supports one or more of the audio formats supported by your DVD player such as MPEG 2, Dolby Digital and DTS. Check the receiver manual and the logos on the front of the receiver.

NOTES

- If the audio format of the digital output does not match the capabilities of your receiver, the receiver produces a strong, distorted sound or no sound at all.
- Six Channel Digital Surround Sound via a digital connection can only be obtained if your receiver is equipped with a Digital Multi-channel decoder.
- To see the audio format of the current DVD in the on-screen display, press AUDIO.

General Features

On-Screen Display **DVD** **VCD**

Some items can be changed using the menu.

1. Press DISPLAY during playback.
2. Press ◀ / ▶ to select an item.
The selected item is highlighted.
3. Press ▲ / ▼ to change the setting.
Press ENTER.
You can also use the number buttons if appropriate
(e.g. inputting the title number).

T 02:04 : Title(Track) Number, **C** 0:09:28 : Time search

Ⓢ 02:04 : Chapter Number (DVD disc only)

Moving to another CHAPTER/TRACK **DVD** **VCD**

When a title on a disc has more than one chapter or a disc has more than one track, you can move to another chapter/track as follows:

Press SKIP **⏮** or **⏭** briefly during playback to select the next chapter/track or to return to the beginning of the current chapter/track.
Press SKIP **⏮** twice briefly to step back to the previous chapter/track.

Slow Motion **DVD** **VCD**

1. Press PAUSE/STEP (**⏸**) during playback.
The player will now go into PAUSE mode.
2. Use the SCAN **⏮** to select the required speed:
⏮ 1/16, **⏮** 1/8, **⏮** 1/4, or **⏮** 1/2 (forward).
3. To exit slow motion mode, press PLAY.

Title Menu **DVD**

Checking the contents of DVD discs: Menus

DVDs may offer menus that allow you to access special features. To use the disc menu, press TITLE.

Input the corresponding number or use the ◀ ▶ ▲ ▼ buttons to highlight your selection. Then press ENTER.

Disc Menu **DVD**

Press DVD MENU and the disc menu is displayed.

Press DVD MENU again to exit.

Changing the Audio Language **DVD**

Press AUDIO repeatedly during playback to hear a different audio language or audio track.

Search **DVD** **VCD**

1. Press SCAN (**⏮** or **⏭**) during playback.
2. Press SCAN (**⏮** or **⏭**) repeatedly to select the required speed.
DVD; X2, X4, X16 or X32
Video CD; X2, X4 or X8
3. To exit Search mode, press PLAY.

Still Picture and Frame-by-Frame Playback

DVD **VCD**

Press PAUSE/STEP on the remote control during playback. Advance the picture frame-by-frame by pressing PAUSE/STEP repeatedly.
Press PLAY to exit still motion mode.

General Features (continued)

Marker Search **DVD** **VCD**

To enter a Marker

You can start playback from up to nine memorized points. To enter a marker, press MARKER at the desired point on the disc. The Marker icon appears on the TV screen briefly. Repeat to enter up to nine markers.

To Recall or Clear a Marked Scene

1. During disc playback, press SEARCH. The marker search menu appears on the screen.
2. Within 10 seconds, press ◀/▶ to select a marker number that you want to recall or clear.
3. Press ENTER and playback starts from the marked scene.
Or, Press CLEAR and the marker number is erased from the list.
4. You can play any marker by inputting its number on the marker search menu.

Repeat A-B **DVD** **VCD**

To repeat a sequence.

1. Press A-B at your chosen starting point. "A" appears briefly on the screen.
2. Press A-B again at your chosen end point.
"A B" appears briefly on the screen and the repeat sequence begins.
3. Press A-B again to cancel.

Repeat **DVD** **VCD1.1**

Press REPEAT during playback to select a desired repeat mode.

DVD Video Discs

- Chapter: repeats the current chapter.
- Title: repeats the current title.
- Off: does not play repeatedly.

Video CDs

- Track: repeats the current track
- All: repeats all the tracks on a disc.
- Off: does not play repeatedly.

NOTES

- On a Video CD with PBC, you must set PBC to Off on the setup menu to use the repeat function (See "PBC" on page 22).
- If you press SKIP (▶▶) once during Repeat Chapter (Track) playback, the repeat playback cancels.

Random **VCD**

1. Press RANDOM during playback. The unit automatically begins random playback and **Random** appears on the screen.
2. To return to normal playback, press RANDOM repeatedly until **Normal** appears on the menu screen.

TIP

- By pressing SKIP (▶▶) during random playback, the unit selects another track and resumes random playback.
- On a Video CD with PBC, You must set PBC to Off on the setup menu to use the random function (See "PBC" on page 22).

General Features (continued)

Zoom **DVD** **VCD**

Use zoom to enlarge the video image.

1. Press ZOOM during playback to activate the Zoom function.
2. Each press of the ZOOM button changes the screen in the sequence: 200% → 300% → 400% → Normal (4 steps).
3. Use the ◀ ▶ ▲ ▼ buttons to move through the zoomed picture.
4. To resume normal playback, press CLEAR.

NOTE

Zoom may not work on some DVDs.

Camera Angle **DVD**

If the disc contains scenes recorded at different camera angles, you can change to a different camera angle during playback.

Press ANGLE repeatedly during playback to select a desired angle.

Note that the number of the current angle appears on the display.

Subtitles **DVD**

Press SUBTITLE repeatedly during playback to display the different subtitle languages.

Changing the Audio Channel **VCD**

Press AUDIO repeatedly during playback to hear a different audio channel (LEFT, RIGHT or Stereo).

Last Scene Memory **DVD** **CD** **VCD**

This player memorizes last scene from the last disc that is viewed. The last scene remains in memory even if you remove the disc from the player or switch off the player. If you load a disc that has the scene memorized, the scene is automatically recalled.

NOTE

This player does not memorize settings of a disc if you switch off the player before commencing to play it.

Screen Saver

The screen saver appears when you leave the DVD player in Stop mode for about five minutes. If the Screen Saver is displayed for five minutes, the DVD Player automatically turns itself off.

System Select

You must select the appropriate system mode for your TV system.

If no disc appears in the display window, press and hold PAUSE/STEP for more than 5 seconds to be able to select a system (PAL, NTSC, or Auto).

Playing an Audio CD or MP3/WMA Disc

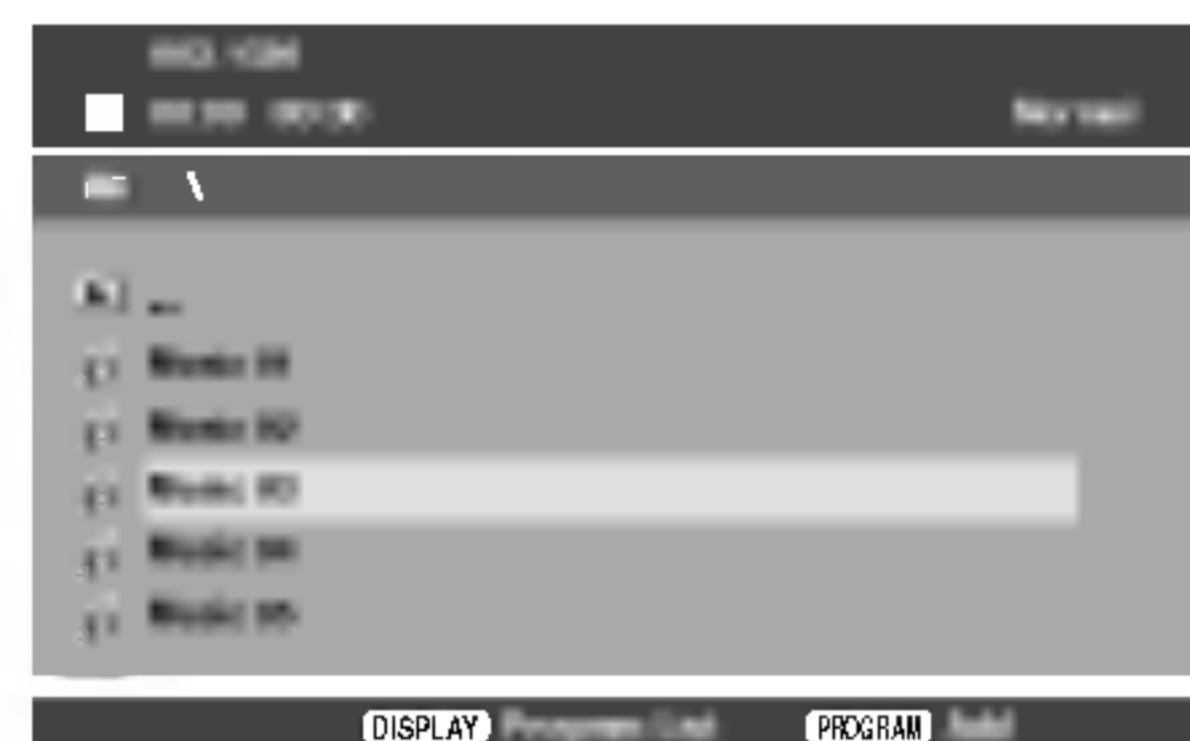
Audio CD

Once you insert an audio CD a menu appears on the screen. Press ▲ / ▼ to select a track then press PLAY or ENTER to playback starts.




MP3 / WMA

1. Press ▲ / ▼ to select a folder, and press PLAY or ENTER to see the folder contents.
2. Press ▲ / ▼ to select a track then press PLAY or ENTER. Playback starts.



TIPS

- If you are in a file list on the MUSIC menu and want to return to the Folder list, use the ▲ / ▼ to highlight  and press PLAY or ENTER.
- Press DVD MENU to move to the next page.
Press TITLE to move to the previous page.
- On a CD with MP3/WMA and JPEG you can switch MP3/WMA and JPEG.
Press ▲ / ▼ to select a folder, and press ENTER to see the folder contents.

MP3 / WMA disc compatibility with this player is limited as follows:

- Sampling frequency: within 8 - 48 kHz (MP3),
within 32 - 48kHz (WMA)
- Bit rate: within 8 - 320kbps (MP3),
32 - 192kbps (WMA)
- The player cannot read an MP3/WMA file that has a file extension other than “.mp3” / “.wma”.
- CD-R physical format should be ISO 9660
- If you record MP3 / WMA files using software that cannot create a file system (eg. Direct-CD) it is impossible to playback MP3 / WMA files.
We recommend that you use Easy-CD Creator, which creates an ISO 9660 file system.
- File names should have a maximum of 8 letters and must incorporate an .mp3 or .wma extension.
- They should not contain special letters such as / ? * : “ < > | etc.
- The total number of files on the disc should be less than 648.

This DVD player requires discs and recordings to meet certain technical standards in order to achieve optimal playback quality. Pre-recorded DVDs are automatically set to these standards. There are many different types of recordable disc formats (including CD-R containing MP3 or WMA files) and these require certain pre-existing conditions (see above) to ensure compatible playback.

Customers should note that permission is required in order to download MP3 / WMA files and music from the Internet. Our company has no right to grant such permission. Permission should always be sought from the copyright owner.

Playing an Audio CD or MP3/WMA Disc (continued)

Audio CD and MP3 / WMA Disc Features

Pause **CD** **MP3** **WMA**

1. Press PAUSE/STEP during playback.
2. To return to playback, press PLAY, ENTER or press PAUSE/STEP again.

Moving to another Track **CD** **MP3** **WMA**

1. Press SKIP (◀◀ or ▶▶) briefly during playback to go to the next track or to return to the beginning of the current track.
2. Press SKIP ◀◀ twice briefly to go back to the previous track.
3. You can play any track by inputting its number.

Random **CD** **MP3** **WMA**

1. Press RANDOM during playback. Random Playback begins immediately and RANDOM appears on the menu screen.
2. To return to normal playback, press RANDOM repeatedly until Normal appears on the menu screen.

TIP

By pressing SKIP ▶▶ during random playback, the unit selects another track and resumes random playback.

Repeat Track/All/Normal **CD** **MP3** **WMA**

You can play a track/all on a disc.

1. Press REPEAT when playing a disc. The repeat icon appears.
2. Press REPEAT to select a desired repeat mode.
 - Track: repeats the current track
 - All: repeats all the tracks on a disc.
 - Normal: does not play repeatedly.

NOTE

If you press SKIP ▶▶ once during Repeat Track playback, the repeat playback cancels.

Repeat A-B **CD** **MP3** **WMA**

1. To repeat a sequence during disc playback press A-B at your chosen starting point. The Repeat icon and “A” appear on the menu screen.
2. Press A-B again at your chosen end point. The Repeat icon and “A B” appear on the menu screen, and the sequence begins to play repeatedly.
3. To exit the sequence and return to normal play, press A-B again.

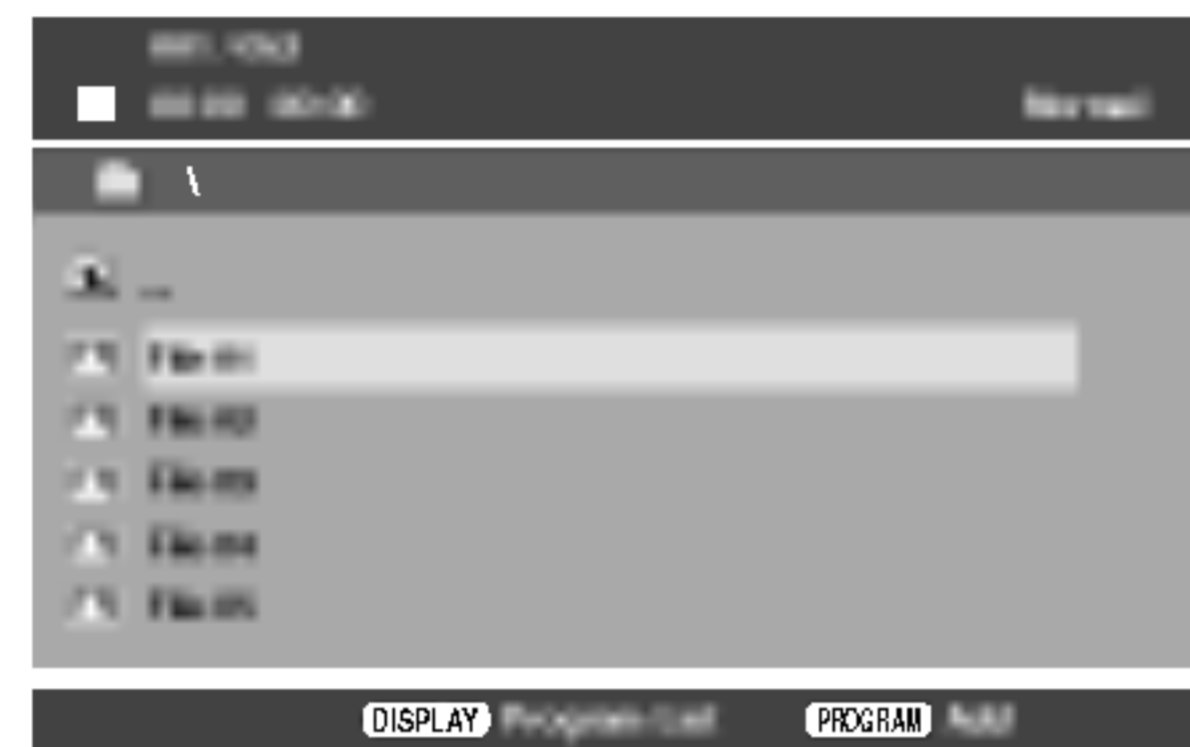
Search **CD** **MP3** **WMA**


1. Press SCAN (◀◀ or ▶▶) during playback.
2. Press SCAN (◀◀ or ▶▶) repeatedly to select the required speed. 2X, 4X or 8X
3. To exit Search mode, press PLAY.

Viewing a JPEG Disc

Using this DVD Player you can view discs with JPEG files.

1. Insert a disc and close the tray.
The PHOTO menu appears on the screen.



2. Press ▲ / ▼ to select a folder, and press ENTER or PLAY.
A list of files in the folder appears. If you are in a file list and want to return to the previous Folder list, use the ▲ / ▼ buttons on the remote to highlight  and press ENTER or PLAY.
3. If you want to view a particular file, press ▲ / ▼ to highlight a file and press ENTER or PLAY. Viewing the file proceeding starts.
While viewing a picture, you can press STOP to move to the previous menu (PHOTO menu).

TIPS

- Press DVD MENU to move to the next page.
Press TITLE to move to the previous page.
- On a CD with MP3/WMA and JPEG you can switch MP3/WMA and JPEG.
Press ▲ / ▼ to select a folder, and press ENTER to see the folder contents.

Moving to another File **JPEG**

Press SKIP (◀◀ or ▶▶) once while viewing a picture to advance to the next or previous file.

To rotate picture

Press ◀ / ▶ during showing a picture to rotate the picture clockwise or counter clockwise.

Still Picture **JPEG**

1. Press PAUSE/STEP during slide show.
The player will now go into PAUSE mode.
2. To return to the slide show, press PLAY, ENTER or press PAUSE/STEP again.

Zoom **JPEG**

Use zoom to enlarge the video image.

1. Press ZOOM during playback to activate the Zoom function.
2. Each press of the ZOOM button changes the screen in the sequence: 100% → 150% → 200% → 100%
3. Use the ◀ ▶ ▲ ▼ buttons to move through the zoomed picture.
4. To resume normal playback, press CLEAR or press ZOOM repeatedly to select the 100%.

JPEG disc compatibility with this player is limited as follows:

- Depending upon the size and number of JPEG files, it could take a long time for the DVD player to read the disc's contents. If you don't see an on-screen display after several minutes, some of the files may be too large — reduce the resolution of the JPEG files to less than 2M pixels as 2760 x 2048 pixels and burn another disc.
- The total number of files and folders on the disc should be less than 648.
- Ensure that all the selected files have the “.jpg” extensions when copying into the CD layout.
- If the files have “.jpe” or “.jpeg” extensions, please rename them as “.jpg” file.
- File names without “.jpg” extension will not be able to be read by this DVD player. Even though the files are shown as JPEG image files in Windows Explorer.

Programmed Playback **CD** **MP3** **WMA**

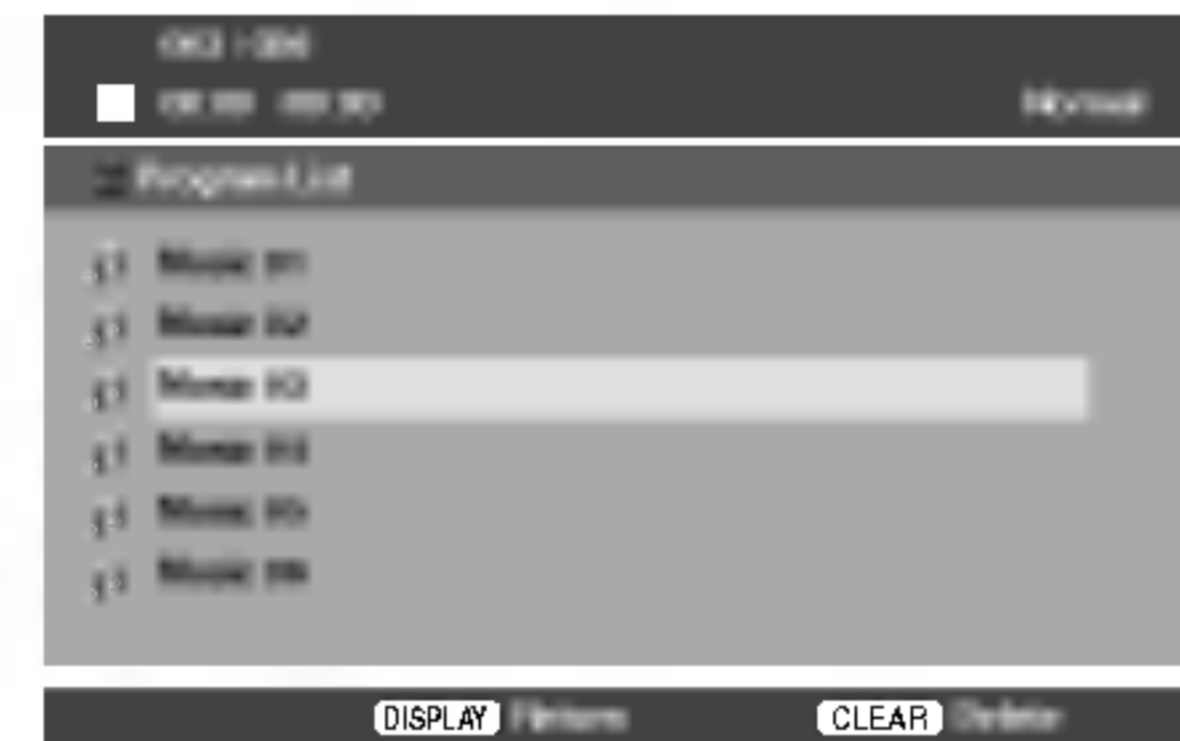
The program function enables you to store your favorite tracks from any disc in the player memory.

A program can contain 30 tracks (Audio CD, MP3/WMA).

1. Insert a disc. (Audio CD, MP3 or WMA.)
2. Press ▲ / ▼ to select the desired file.
3. Press PROGRAM during playback or in the stop mode.
Repeat press PROGRAM to place additional tracks on the program list.
4. Press DISPLAY. Program List menu appear.
Press ▲ / ▼ to select the track you want to start playing.
Press DVD MENU to move to the next page.
Press TITLE to move to the previous page.



Audio CD Menu



MP3/WMA Menu

5. Press PLAY or ENTER to start.
6. To resume normal playback from programmed playback.
Press DISPLAY then select a track of list and then press PLAY or ENTER.

Erasing a Track from program list

1. Use ▲ / ▼ to select the track that you wish to erase from the program list.
2. Press CLEAR. Repeat to erase additional tracks on the list.

For details on each operation item, refer to relevant page.

Initial Settings

By using the Setup menu, you can make various adjustments to items such as picture and sound. You can also set a language for the subtitles and the Setup menu, among other things. For details on each Setup menu item, see pages 17 to 22.

To display and exit the Menu:

Press **SETUP** to display the menu. A second press of **SETUP** will take you back to initial screen.

To go to the next level:

Press **▶** on the remote control.

To go back to the previous level:

Press **◀** on the remote control.

General Operation

1. Press **SETUP**. The Setup menu appears.
2. Use **◀ / ▶** to select the desired option then press **▼** or **ENTER** to move to the second level. The screen shows the current setting for the selected item, as well as alternate setting(s).
3. Use **▲ / ▼** to select the second desired option then press **▶** to move to the third level.
4. Use **▲ / ▼** to select the desired setting then press **ENTER** to confirm your selection. Some items require additional steps.
5. Press **SETUP**, **RETURN** or **PLAY** to exit the Setup menu.

LANGUAGE



Menu Language

Select a language for the Setup menu and on-screen display.

Disc Audio / Subtitle / Menu **DVD**

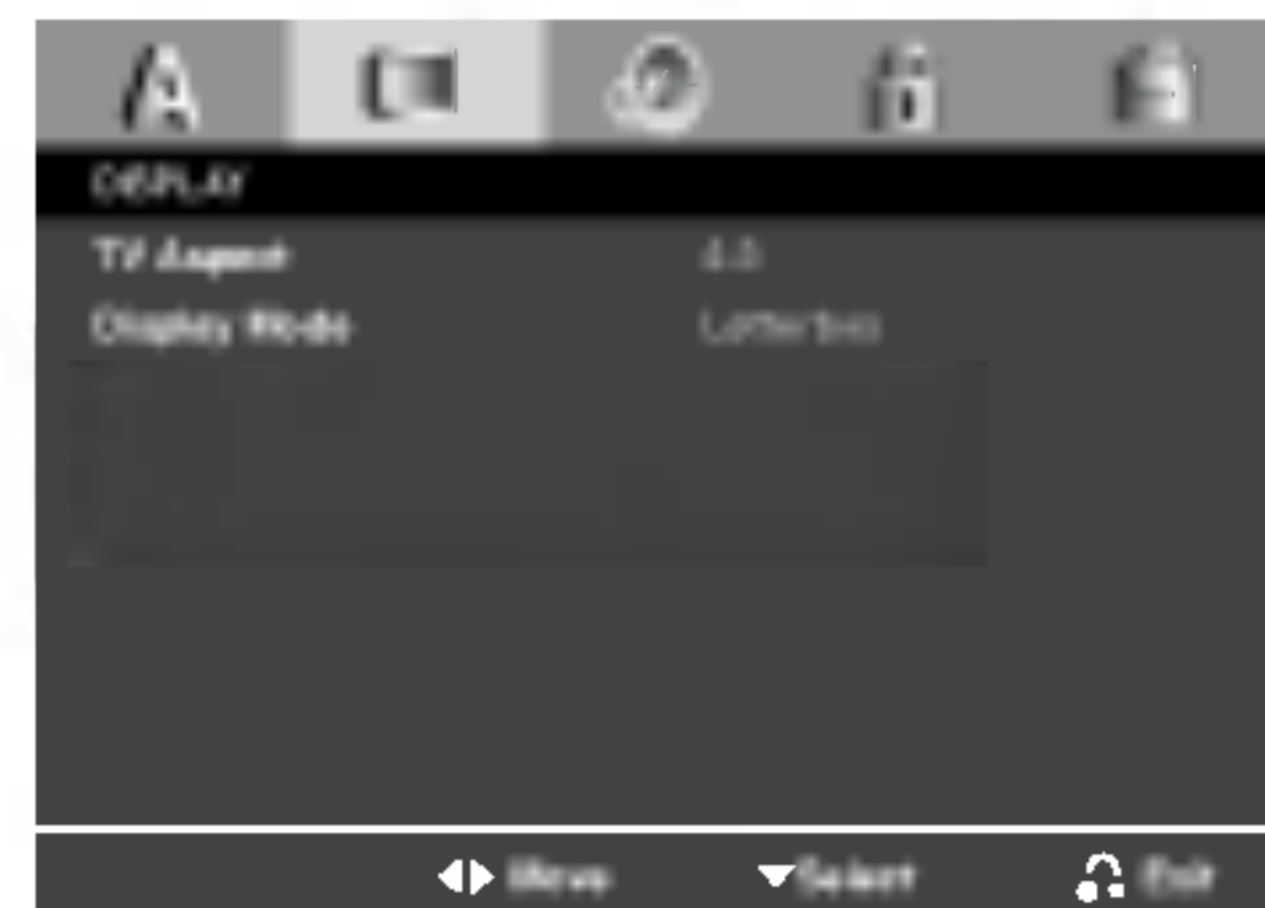
Select the language you prefer for the audio track (disc audio), subtitles, and the disc menu.

Original: Refers to the original language in which the disc was recorded.

Other: To select another language, press number buttons then Press **ENTER** to enter the corresponding 4-digit number according to the language code list in the reference chapter. If you enter the wrong language code, press **CLEAR**.

Initial Settings (continued)

DISPLAY



TV Aspect **DVD**

4:3: Select when a standard 4:3 TV is connected.

16:9: Select when a 16:9 wide TV is connected.

Display Mode **DVD**

Display Mode setting works only when the TV Aspect mode is set to "4:3".

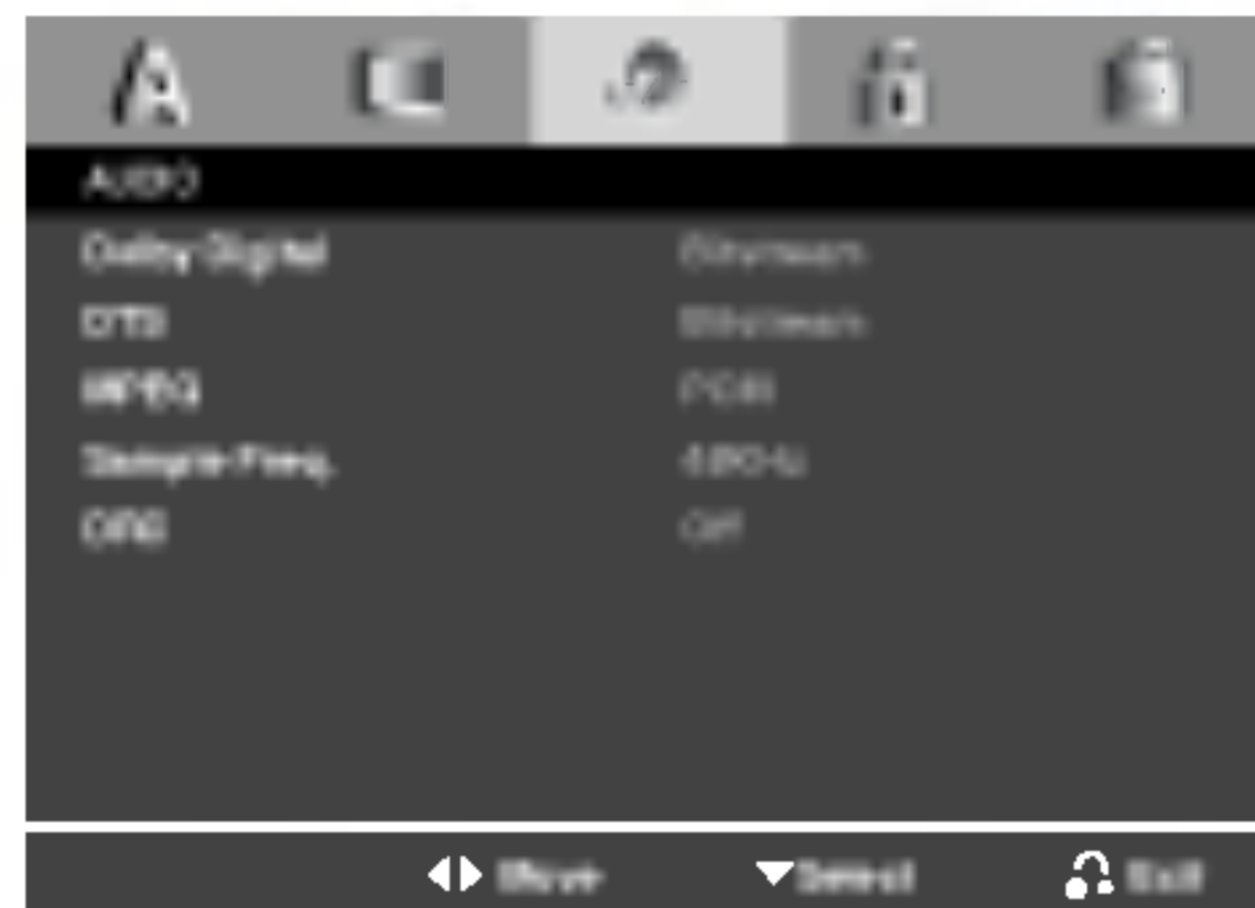
LetterBox: Displays a wide picture with bands on the upper and lower portions of the screen.

Panscan: Automatically displays the wide picture on the entire screen and cuts off the portions that do not fit.

Initial Settings (continued)

AUDIO

Each DVD disc has a variety of audio output options. Set the player's AUDIO options according to the type of audio system you use.



Dolby Digital / DTS / MPEG **DVD**

Bitstream: Select "Bitstream" if you connect the DVD Player's DIGITAL OUT jack to an amplifier or other equipment with a Dolby Digital, DTS or MPEG decoder.

PCM (for Dolby Digital / MPEG): Select when connected to a two-channel digital stereo amplifier. DVDs encoded in Dolby Digital or MPEG will be automatically downmixed to two-channel PCM audio.

Off (for DTS): If you select "Off", the DTS signal is not output through the DIGITAL OUT jack.

Sample Freq. (Frequency) **DVD**

If your receiver or amplifier is NOT capable of handling 96 KHz signals, select 48 KHz. When this choice is made, this unit automatically converts any 96 KHz signals to 48 KHz so your system can decode them.

If your receiver or amplifier is capable of handling 96 KHz signals, select 96 KHz. When this choice is made, this unit passes each type of signal through without any further processing.

Check the documentation for your amplifier to verify its capabilities.

DRC (Dynamic Range Control) **DVD**

With the DVD format, you can hear a program's soundtrack in the most accurate and realistic presentation possible, thanks to digital audio technology. However, you may wish to compress the dynamic range of the audio output (the difference between the loudest sounds and the quietest ones). This allows you to listen to a movie at a lower volume without losing clarity of sound. Set DRC to On for this effect.

Initial Settings (continued)

LOCK (Parental Control)



Rating **DVD**

Some movies contain scenes that may not be suitable for children to view. Many of these discs contain parental control information that applies to the complete disc or to certain scenes on the disc. Movies and scenes are rated from 1 to 8, depending on the country. Some discs offer more suitable scenes as an alternative.

The parental control feature allows you to block access to scenes below the rating you input, thereby preventing your children from being able to view material you believe is unsuitable.

Rating 1-8: Rating one (1) has the most restrictions and rating eight (8) is the least restrictive.

Unlock: If you select unlock, parental control is not active and the disc plays in full.

NOTE

If you set a rating for the player, all disc scenes with the same rating or lower are played. Higher rated scenes are not played unless an alternate scene is available on the disc. The alternative must have the same rating or a lower one. If no suitable alternative is found, playback stops. You must enter the 4-digit password or change the rating level in order to play the disc.

1. Select Rating on the LOCK menu then press ►.
2. Select a rating from 1 to 8 using the ▲ / ▼ buttons and press ENTER. The password window will appear.
3. **If you have not entered password yet:**
When the “New Password” section is highlighted, enter a 4-digit password using the numbered buttons then press ENTER. Enter the 4-digit security password again to verify when the “Confirm Password” section is highlighted. The “OK” will be highlighted.
If you have entered password already:
Enter a 4-digit password you have entered using the numbered buttons. The “OK” will be highlighted.
4. Press ENTER to confirm your rating selection, then press SETUP to exit the menu.

TIPS

- If you make a mistake before pressing ENTER in each section, press CLEAR to enter again or ◀ repeatedly to delete password numbers one by one then correct it.
- If you enter the wrong password, you can not proceed to the next step.

Initial Settings (continued)

Password (Security Code)

You can create or change password.

1. Select Password on the LOCK menu then press ►. The “Change” is highlighted
2. Press ENTER then the password window will appear.
3. **To make a new password:**
When the “New Password” section is highlighted, enter a 4-digit password using the numbered buttons then press ENTER. Enter the 4-digit password again to verify when the “Confirm Password” section is highlighted, then. The “OK” will be highlighted.
To change the password:
When the “Old Password” section is highlighted, enter the 4-digit password you have created then press ENTER. The “New Password” section will be highlighted. Enter a new 4-digit password using the numbered buttons then press ENTER. Enter the new 4-digit security password again to verify when the “Confirm Password” section is highlighted. The “OK” will be highlighted.
4. Press SETUP to exit the menu.

If you forget your Security Code

If you forget your security code you can clear it using the following steps:

1. Remove any disc from the unit and close the disc tray.
See that “nodISC” is displayed on the display window.
2. Press SETUP and setup menu appears on the TV screen.
Use the numbered buttons to enter the 6-digit number “210499”.
See that “P-CLr” is displayed on the display window.
3. Enter a new password as described above.

Area Code **DVD**

Enter the code of the area whose standards were used to rate the DVD video disc, based on the list in the reference chapter.

1. Select “Area Code” on the LOCK menu then press ►.
2. Select the first character using ▲ / ▼ buttons.
3. Shift the cursor using ► button and select the second character using ▲ / ▼ buttons then press ENTER, the password window will appear
4. Press ENTER, the password window will appear.
5. **If you have not entered password yet:**
When the “New Password” section is highlighted, enter a 4-digit password using the numbered buttons then press ENTER. Enter the 4-digit security password again to verify when the “Confirm Password” section is highlighted. The “OK” will be highlighted.
If you have entered password already:
Enter a 4-digit password you have entered using the numbered buttons. The “OK” will be highlighted.
6. Press ENTER to confirm your Area Code selection, then press SETUP to exit the menu.

Initial Settings (continued)

OTHERS

The PBC, Auto Play and B.L.E. settings can be changed.



PBC **VCD**

Set Playback Control (PBC) to On or Off.

On: Video CDs with PBC are played according to the PBC.

Off: Video CDs with PBC are played the same way as Audio CDs.

NOTES

- **PBC: Playback Control (Video CD only)**
Playback control is available for Video CD (VCD) version 2.0 disc formats. PBC allows you to interact with the system via menus, search functions, or other typical computer-like operations. Moreover, still pictures of high resolution can be played if they are included in the disc. Video CDs not equipped with PBC (Version 1.1) operate in the same way as audio CDs.
- Use the number buttons to select the track you want to view and press RETURN to return to the menu screen. Menu settings and operating procedures may differ. Follow the instructions on the each menu screen. You also may set PBC to Off.

Auto Play **DVD**

You can set up the DVD Player so a DVD disc automatically starts playing whenever the DVD is inserted.

If Auto Play mode is set to On, this DVD player will search for title that has the longest playback time and then play back the title automatically.

On: Auto Play function is activated.

Off: Auto Play function is not activated.

NOTE

The Auto Play function may not work for some DVDs.

B.L.E. (Black Level Expansion)

To select the black level of playback pictures. Set your preference and monitor's ability.

On: Expanded grey scale. (0 IRE cut off)

Off: Standard grey scale. (7.5 IRE cut off)

NOTE

The B.L.E. function works NTSC system only.

Additional Information

COPYRIGHTS:

It is forbidden by law to copy, broadcast, show, broadcast via cable, play in public, or rent copyrighted material without permission.

This product features the copy protection function developed by Macrovision. Copy protection signals are recorded on some discs. When recording and playing the pictures of these discs on a VCR, picture noise will appear.

This product incorporates copyright protection technology that is protected by method claims of certain U.S. patents and other intellectual property rights owned by Macrovision Corporation and other rights owners. Use of this copyright protection technology must be authorized by Macrovision Corporation, and is intended for home and other limited viewing uses only unless otherwise authorized by Macrovision Corporation. Reverse engineering or disassembly is prohibited.

Controlling other TVs with the remote control

You can control the sound level, input source, and power switch of your LG TV with the supplied remote control.

You can control the sound level, input source, and power switch of non-LG TVs as well. If your TV is listed in the table below, set the appropriate manufacturer code.

1. While holding down TV POWER button, press the number buttons to select the manufacturer code for your TV (see the table below).
2. Release TV POWER button.

Code numbers of controllable TVs

If more than one code number is listed, try entering them one at a time until you find the one that works with your TV.

Manufacturer	Code Number
LG / GoldStar	1 (Default), 2
Zenith	1, 3, 4
Samsung	6, 7
Sony	8, 9
Hitachi	4

NOTES

- Depending on your TV, some or all buttons may not function on the TV, even after entering the correct manufacturer code.
- If you enter a new code number, the code number previously entered will be erased.
- When you replace the batteries of the remote, the code number you have set may be reset to the default setting. Set the appropriate code number again.

Troubleshooting

Symptom	Possible Cause	Correction
No power.	<ul style="list-style-type: none"> The power cord is disconnected. 	<ul style="list-style-type: none"> Plug the power cord into the wall outlet securely.
The power is on, but the DVD player does not work.	<ul style="list-style-type: none"> No disc is inserted. 	<ul style="list-style-type: none"> Insert a disc. (Check that the DVD or audio CD indicator in the display window is lit.)
No picture.	<ul style="list-style-type: none"> The TV is not set to receive DVD signal output. 	<ul style="list-style-type: none"> Select the appropriate video input mode on the TV.
	<ul style="list-style-type: none"> The video cable is not connected securely. 	<ul style="list-style-type: none"> Connect the video cable securely.
No sound.	<ul style="list-style-type: none"> The equipment connected with the audio cable is not set to receive DVD signal output. 	<ul style="list-style-type: none"> Select the correct input mode of the audio receiver so you can listen to the sound from the DVD player.
	<ul style="list-style-type: none"> The power of the equipment connected with the audio cable is turned off. 	<ul style="list-style-type: none"> Turn on the equipment connected with the audio cable.
	<ul style="list-style-type: none"> The AUDIO options are set to the wrong position. 	<ul style="list-style-type: none"> Set the Digital Audio Output to the correct position, then turn on the DVD player again by pressing POWER.
The DVD player does not start playback.	<ul style="list-style-type: none"> An unplayable disc is inserted. 	<ul style="list-style-type: none"> Insert a playable disc. (Check the disc type, color system, and regional code.)
	<ul style="list-style-type: none"> The rating level is set. 	<ul style="list-style-type: none"> Cancel the rating function or change the rating level.
The remote control does not work properly.	<ul style="list-style-type: none"> The remote control is not pointed at the remote sensor on the DVD player. 	<ul style="list-style-type: none"> Point the remote control at the remote sensor of the DVD player.
	<ul style="list-style-type: none"> The remote control is too far from the DVD player. 	<ul style="list-style-type: none"> Operate the remote control closer to the DVD player.

Language Codes

Use this list to input your desired language for the following initial settings:
Disc Audio, Disc Subtitle, Disc Menu.

Language	Code	Language	Code	Language	Code	Language	Code
Abkhazian	6566	Fiji	7074	Lingala	7678	Singhalese	8373
Afar	6565	Finnish	7073	Lithuanian	7684	Slovak	8375
Afrikaans	6570	French	7082	Macedonian	7775	Slovenian	8376
Albanian	8381	Frisian	7089	Malagasy	7771	Somali	8379
Ameharic	6577	Galician	7176	Malay	7783	Spanish	6983
Arabic	6582	Georgian	7565	Malayalam	7776	Sudanese	8385
Armenian	7289	German	6869	Maltese	7784	Swahili	8387
Assamese	6583	Greek	6976	Maori	7773	Swedish	8386
Aymara	6588	Greenlandic	7576	Marathi	7782	Tagalog	8476
Azerbaijani	6590	Guarani	7178	Moldavian	7779	Tajik	8471
Bashkir	6665	Gujarati	7185	Mongolian	7778	Tamil	8465
Basque	6985	Hausa	7265	Nauru	7865	Tatar	8484
Bengali; Bangla	6678	Hebrew	7387	Nepali	7869	Telugu	8469
Bhutani	6890	Hindi	7273	Norwegian	7879	Thai	8472
Bihari	6672	Hungarian	7285	Oriya	7982	Tibetan	6679
Breton	6682	Icelandic	7383	Panjabi	8065	Tigrinya	8473
Bulgarian	6671	Indonesian	7378	Pashto, Pushto	8083	Tonga	8479
Burmese	7789	Interlingua	7365	Persian	7065	Turkish	8482
Byelorussian	6669	Irish	7165	Polish	8076	Turkmen	8475
Cambodian	7577	Italian	7384	Portuguese	8084	Twi	8487
Catalan	6765	Japanese	7465	Quechua	8185	Ukrainian	8575
Chinese	9072	Javanese	7487	Rhaeto-Romance	8277	Urdu	8582
Corsican	6779	Kannada	7578	Rumanian	8279	Uzbek	8590
Croatian	7282	Kashmiri	7583	Russian	8285	Vietnamese	8673
Czech	6783	Kazakh	7575	Samoan	8377	Volapük	8679
Danish	6865	Kirghiz	7589	Sanskrit	8365	Welsh	6789
Dutch	7876	Korean	7579	Scots Gaelic	7168	Wolof	8779
English	6978	Kurdish	7585	Serbian	8382	Xhosa	8872
Esperanto	6979	Laothian	7679	Serbo-Croatian	8372	Yiddish	7473
Estonian	6984	Latin	7665	Shona	8378	Yoruba	8979
Faroese	7079	Latvian, Lettish	7686	Sindhi	8368	Zulu	9085

Area Codes

Choose an area code from this list.

Area	Code	Area	Code	Area	Code	Area	Code
Afghanistan	AF	Ethiopia	ET	Malaysia	MY	Saudi Arabia	SA
Argentina	AR	Fiji	FJ	Maldives	MV	Senegal	SN
Australia	AU	Finland	FI	Mexico	MX	Singapore	SG
Austria	AT	France	FR	Monaco	MC	Slovak Republic	SK
Belgium	BE	Germany	DE	Mongolia	MN	Slovenia	SI
Bhutan	BT	Great Britain	GB	Morocco	MA	South Africa	ZA
Bolivia	BO	Greece	GR	Nepal	NP	South Korea	KR
Brazil	BR	Greenland	GL	Netherlands	NL	Spain	ES
Cambodia	KH	Islands	HM	Netherlands Antilles	AN	Sri Lanka	LK
Canada	CA	Hong Kong	HK	New Zealand	NZ	Sweden	SE
Chile	CL	Hungary	HU	Nigeria	NG	Switzerland	CH
China	CN	India	IN	Norway	NO	Taiwan	TW
Colombia	CO	Indonesia	ID	Oman	OM	Thailand	TH
Congo	CG	Israel	IL	Pakistan	PK	Turkey	TR
Costa Rica	CR	Italy	IT	Panama	PA	Uganda	UG
Croatia	HR	Jamaica	JM	Paraguay	PY	Ukraine	UA
Czech Republic	CZ	Japan	JP	Philippines	PH	United States	US
Denmark	DK	Kenya	KE	Poland	PL	Uruguay	UY
Ecuador	EC	Kuwait	KW	Portugal	PT	Uzbekistan	UZ
Egypt	EG	Libya	LY	Romania	RO	Vietnam	VN
El Salvador	SV	Luxembourg	LU	Russian Federation	RU	Zimbabwe	ZW

Specifications

General

Power requirements: AC 110-240 V , 50/60 Hz

Power consumption: 8W

Dimensions (Approx.):

DZ9800: 430 x 35 x 242 mm (W x H x D) without foot

DZ9300 / DZ9400: 360 x 35 x 242 mm (W x H x D) without foot

Weight (Approx.): DZ9800: 1.9 kg

DZ9300 / DZ9400: 1.7 kg

Operating temperature:

5 °C to 35 °C (41 °F to 95 °F)

Operating humidity: 5 % to 90 %

Outputs

VIDEO OUT:

1 Vp-p 75 Ω, sync negative, RCA jack x 1 / SCART (TO TV)

AUDIO OUT:

2.0 Vrms (1 KHz, 0 dB), 600 Ω, RCA jack (L, R) x 1 / SCART (TO TV)

DIGITAL OUT (COAXIAL):

0.5 V (p-p), 75 Ω, RCA jack x 1

System

Laser:

Semiconductor laser, wavelength 650 nm

Signal system: PAL / NTSC

Frequency response:

DVD (PCM 96 kHz): 8 Hz to 44 kHz

DVD (PCM 48 kHz): 8 Hz to 22 kHz

CD: 8 Hz to 20 kHz

Signal-to-noise ratio:

More than 100 dB (ANALOG OUT connectors only)

Harmonic distortion: Less than 0.02%

Dynamic range:

More than 95 dB (DVD/CD)

Accessories:

Remote control (1), Batteries (2)



LETTORE DVD

MANUALE DELL'UTENTE

MODEL: DZ9300 / DZ9400 / DZ9800



Prima di collegare, mettere in funzione o eseguire regolazioni su questo prodotto, leggere attentamente e per intero le istruzioni di questo manuale.

Precauzioni di sicurezza



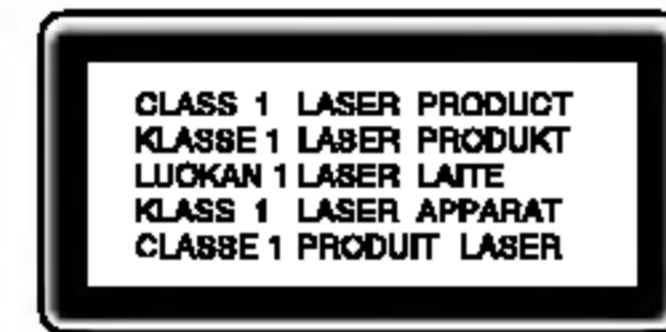
ATTENZIONE
RISCHIO DI SCOSSE ELETTRICHE NON APRIRE



ATTENZIONE: QUESTE ISTRUZIONI DI MANUTENZIONE SONO PER L'USO ESCLUSIVO DI PERSONALE DI ASSISTENZA QUALIFICATO. PER RIDURRE IL RISCHIO DI SCOSSE ELETTRICHE, NON EFFETTUARE ALCUN INTERVENTO DI MANUTENZIONE OLTRE A QUELLI NELLE ISTRUZIONI OPERATIVE A MENO CHE NON SI SIA QUALIFICATI IN TAL SENSO.



Attenzione: l'apparecchio non deve essere esposto all'acqua (gocce o spruzzi) e quindi sopra al dispositivo non devono essere posti oggetti contenenti liquidi, come ad esempio i vasi.



ATTENZIONE: questo prodotto impiega un sistema laser. Per garantire l'uso corretto del prodotto, leggere il presente manuale di istruzioni a fondo e conservarlo per consultazione futura. In caso di necessità di manutenzione dell'unità, contattare un centro di assistenza autorizzato.

L'uso di comandi di impostazione o l'esecuzione di procedure diverse da quelle specificate nel presente manuale possono determinare l'eventuale esposizione a radiazioni pericolose.

Per evitare l'esposizione diretta al fascio laser non aprire il dispositivo. In caso di apertura sussiste il pericolo di radiazioni laser visibili. **NON FISSARE LO SGUARDO SUL FASCIO LASER.**



ATTENZIONE: non installare il dispositivo in uno spazio ristretto come ad esempio lo scaffale di una libreria o in un elemento di arredo simile.

Dichiarazione di conformità

La società LG ELECTRONICS ITALIA S.p.A. dichiara che il prodotto DZ9300/DZ9400/DZ9800 è costruito in conformità alle prescrizioni del D.M.n°548 del 28/8/95, pubblicato sulla G.U.n°301 del 28/12/95 ed in particolare è conforme a quanto indicato nell'art.2, comma 1 dello stesso decreto.



Questo prodotto è stato costruito in conformità con i requisiti delle normative sulle interferenze radio DIRETTIVA EEC 89/336/EEC, 93/68/EEC e 73/23/EEC.

AVVERTENZA Cavo di alimentazione

Per la maggior parte degli elettrodomestici si consiglia di collegarli a un circuito dedicato.

In altre parole, a un circuito a singola presa che alimenti solo quell'elettrodomestico e che non abbia altre uscite o circuiti di diramazione. In caso di dubbi, consultare la pagina delle specifiche del manuale dell'utente.

Non sovraccaricare le prese a muro. Prese sovraccariche, allentate o danneggiate, prolunghie, cavi sfilacciati o isolamenti spaccati sono pericolosi. Ognuna delle situazioni elencate può provocare scosse elettriche o incendi. Periodicamente, controllare il cavo dell'elettrodomestico e se si notano danni o deterioramento, scollegarlo, interromperne l'uso e far sostituire il cavo con uno dello stesso tipo presso un centro di assistenza autorizzato.

Proteggere il cavo di alimentazione da schiacciamento, calpestamento o attorcigliamento. Porre particolare attenzione alle spine, alle prese a muro e ai punti di uscita del cavo dall'elettrodomestico.


NUMERO DI SERIE: Il numero di serie del prodotto è stampigliato sul retro dell'unità. Il numero è univocamente riferito a questa unità e non è disponibile ad altri. Registrare le informazioni richieste qui e conservare la presente guida come prova permanente di acquisto.

Numero modello _____

Numero di serie _____

Sommario

Introduzione

Precauzioni di sicurezza	2
Sommario	3
Prima dell'uso	4-5
Simboli utilizzati nel manuale	4
Informazioni sul simbolo 	4
Note sui Dischi	4
Manutenzione e assistenza	5
Tipi di dischi riproducibili	5
Pannello frontale	6
Telecomando	7
Installazione del lettore	8-9
Collegamenti del lettore DVD	8
Collegamento audio ad apparecchi opzionali	9

Funzionamento avanzato

Funzioni generali	10-16
Menu a schermo (OSD)	10
Passaggio a un altro CAPITOLO/TRACCIA	10
Rallentatore	10
Menu del titolo	10
Menu del disco	10
Cambiamento della lingua dell'audio	10
Ricerca	10
Fermo immagine e riproduzione fotogramma per fotogramma	10
Ricerca marcatore	11
Ripetizione A-B	11
Ripetizione	11
Causale	11
Zoom	12
Angolazione della telecamera	12
Sottotitoli	12
Cambiamento del canale audio	12
Memorizzazione dell'ultima scena	12
Screen Saver	12
Selezione del sistema	12

Riproduzione di un CD audio o di un disco di MP3/WMA	13
La compatibilità dei dischi MP3/WMA con il lettore è limitata alle seguenti caratteristiche	13
Funzioni dei CD Audio e dei dischi di MP3/WMA	13
• Pausa	14
• Passaggio a un'altra traccia	14
• Causale	14
• Ripetizione Traccia/Tutto/Normale	14
• Ripetizione A-B	14
• Ricerca	14
Visualizzazione di un disco di JPEG	15
• Passare a un altro file	15
• Permutare l'immagine	15
• Immagine statica	15
• Zoom	15
• La compatibilità dei dischi JPEG con il lettore è limitata alle seguenti caratteristiche:	15
Riproduzione programmata	16
• Cancellazione di una traccia dall'Elenco Programma	16

Impostazioni iniziali

Impostazioni iniziali	17-22
Funzionamento generale	17
LINGUA	17
ESPOSIZIONE	18
AUDIO	19
BLOCCO (Filtro Contenuti)	20-21
ALTRI	22

Riferimento

Informazioni aggiuntive	23
Controllo di altri TV con il telecomando	23
Risoluzione dei problemi	24
Codici di lingua	25
Codici di Area	26
Specifiche tecniche	27

Prima dell'uso

Per garantire l'utilizzo corretto del prodotto, leggere attentamente il presente manuale dell'utente e conservarlo per futuro riferimento.

Il presente manuale fornisce informazioni relative al funzionamento e alla manutenzione del Lettore DVD.

Se l'unità necessita di assistenza, rivolgersi al servizio di assistenza autorizzato più vicino.

Simboli utilizzati nel manuale



Il simbolo del lampo avvisa l'utente della presenza di tensione pericolosa all'interno dell'involucro del prodotto, la quale può costituire un serio pericolo di scossa elettrica.



Il punto esclamativo avvisa l'utente della presenza di importanti istruzioni relative al funzionamento e alla manutenzione / conservazione.



Indica il rischio di causare danni all'unità stessa o ad altri materiali.

DVD

DVD e finalizzato DVD±R/RW

VCD

Video CD

CD

CD audio

MP3

Dischi MP3

WMA

Dischi WMA

JPEG

Dischi JPEG

NOTE

Indica note speciali e funzionalità operative.

SUGGERIMENTO

Indica suggerimenti e consigli per rendere un'attività più semplice.

Se nel titolo di una sezione è presente uno dei seguenti simboli, le istruzioni di tale sezione sono riferite solo ai dischi rappresentati dal simbolo.

Informazioni sul simbolo

Durante il funzionamento, sullo schermo della propria TV può apparire il simbolo “”, il quale indica che la funzione spiegata nel presente manuale dell'utente non è disponibile su quel particolare disco video DVD.

Note sui Dischi

Manipolazione dei Dischi

Non toccare la faccia di lettura dei dischi. Tenere i dischi dai bordi in modo da non lasciare impronte sulla superficie. Non incollare in alcun caso carta o nastro adesivo sul disco.

Conservazione dei Dischi

Dopo la riproduzione, conservare i dischi nella loro custodia. Non esporre i dischi alla luce diretta del sole, a fonti di calore o in un'auto parcheggiata esposta alla luce diretta del sole.

Pulizia dei Dischi

Impronte digitali e polvere sul disco possono causare una qualità scadente dell'immagine e dell'audio. Prima di riprodurre un disco, pulirlo con un panno pulito. Strofinare il disco partendo dal centro e scorrendo verso l'esterno. Non utilizzare solventi aggressivi come ad esempio alcol, benzene, diluenti, detersivi disponibili in commercio o spray antistatici dedicati a vecchie registrazioni in vinile.

Installazione delle Batterie del Telecomando

Estrarre il coperchio delle batterie situato sul retro del telecomando, quindi inserire due batterie (tipo AAA) allineando correttamente i poli

e .

Prima dell'uso (continua)

Manutenzione e assistenza

Consultare le informazioni fornite in questo capitolo prima di contattare un tecnico dell'assistenza.

Maneggiare l'unità

Durante il trasporto dell'unità

Conservare il cartone di trasporto originale e il materiale dell'imballo. Se occorre trasportare l'unità, per ottenere la massima protezione è possibile reimballare il prodotto nell'imballo originale fornito dalla fabbrica.

Tenere pulite le superfici esterne

- Non utilizzare liquidi volatili in prossimità dell'unità, come ad esempio spray insetticida.
- Non lasciare nastri o prodotti di plastica a contatto con l'unità per un lungo periodo di tempo, dato che possono lasciare segni permanenti sulla superficie.

Pulizia dell'unità

Per pulire l'unità, utilizzare un panno morbido e asciutto. Se le superfici sono estremamente sporche, utilizzare un panno morbido leggermente imbevuto con una soluzione detergente non aggressiva.

Non utilizzare solventi aggressivi come ad esempio alcol, benzene o diluenti, dato che questi prodotti possono danneggiare la superficie dell'unità.

Manutenzione dell'unità

Il lettore DVD è un dispositivo di precisione ad alta tecnologia. Se le lenti della testina ottica e le parti della guida dei dischi sono sporche o logorate, la qualità dell'immagine potrebbe diminuire.

A seconda dell'ambiente di funzionamento, sono consigliate ispezioni e manutenzioni regolari dopo ogni 1.000 ore di utilizzo.

Per i dettagli, contattare il rivenditore più vicino.

Tipi di dischi riproducibili

L'unità riproduce file DVD, Video CD, Audio CD, DVD±R, DVD±RW, SVCD, e CD-R o CD-RW contenenti titoli audio, MP3, WMA o file JPEG.

Prodotto con concessione di licenza da parte di Dolby Laboratories. "Dolby", "Pro Logic", e il simbolo della doppia D sono marchi registrati di Dolby Laboratories.

DTS e DTS Digital Out sono marchi registrati di Digital Theater Systems, Inc.

NOTE

- A seconda delle condizioni dell'apparecchio di registrazione o dello stesso disco CD-R/RW (o DVD±R/±RW), alcuni dischi CD-R/RW (o DVD±R/±RW) potrebbero non essere riprodotti dall'unità.
- Non attaccare adesivi o etichette su nessuna delle due facce (faccia etichettata e faccia registrata) dei dischi.
- Non utilizzare CD dalla forma non regolare, ad esempio a forma di cuore o ottagonali, dato che ciò potrebbe causarne il malfunzionamento.

Note relative a DVD e Video CD

Alcune operazioni di riproduzione di DVD e Video CD potrebbero essere intenzionalmente programmate dai produttori di software. Questa unità riproduce DVD e Video CD sulla base del contenuto dei dischi previsto in fase di progettazione di produttori software, pertanto alcune funzionalità di riproduzione potrebbero non essere disponibili o altre potrebbero essere aggiunte.

Codice regionale

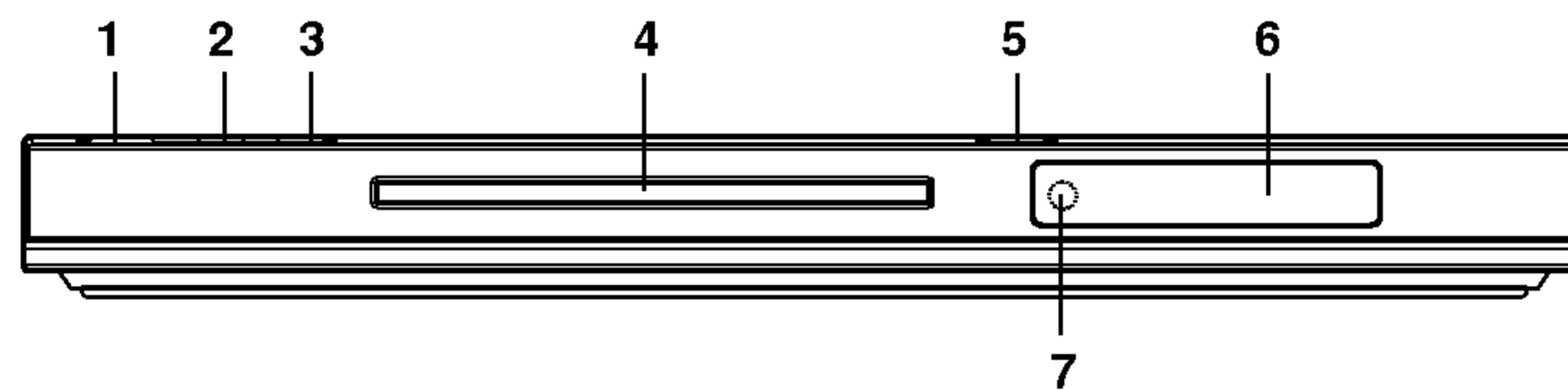
Questo lettore DVD è stato progettato e realizzato per la riproduzione di software DVD codificato per la regione "2". L'unità può riprodurre solo dischi DVD etichettati con "2" oppure "ALL".



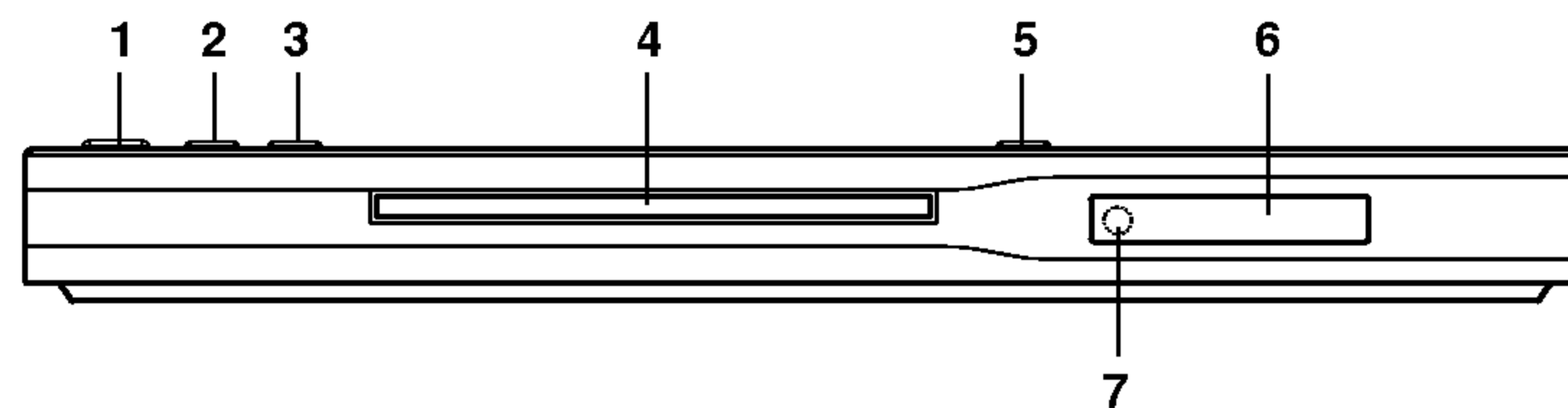
Se si tenta di riprodurre un DVD con un codice regionale differente da quello del lettore, sullo schermo appare il messaggio "Controllare Codice Regionale".

Pannello frontale

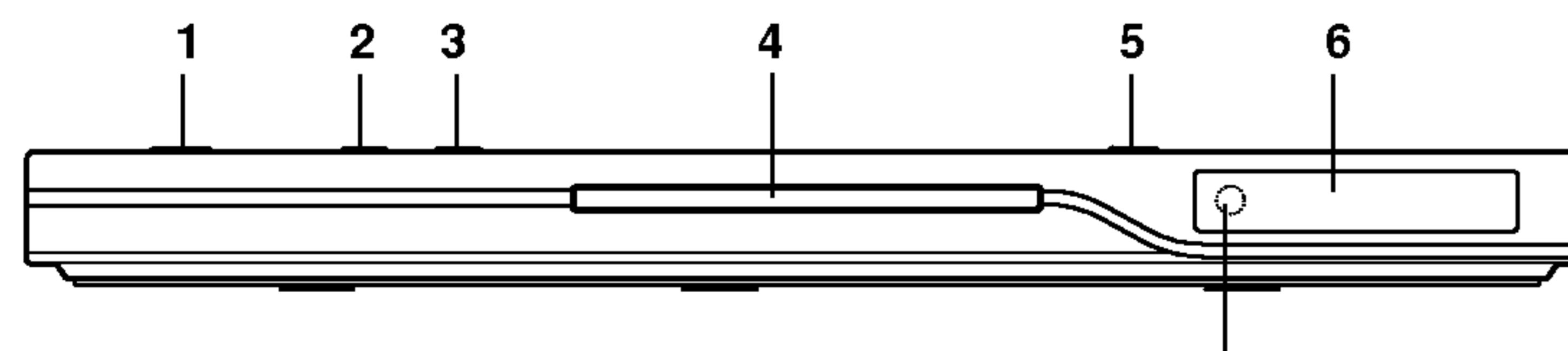
DZ9300



DZ9400

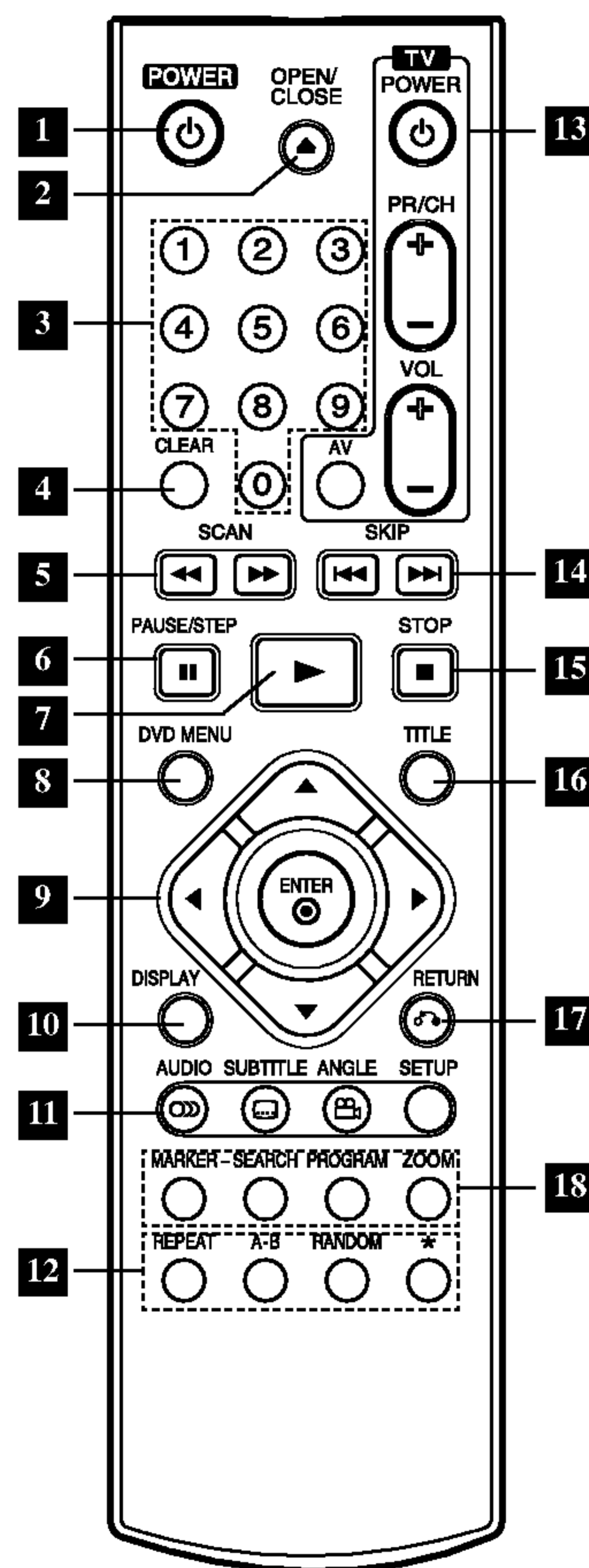


DZ9800



- 1. POWER**
Accende e spegne il lettore.
- 2. PLAY (▶)**
Avvia la riproduzione.
- 3. STOP (■)**
Interrompe la riproduzione.
- 4. Vassoio del disco**
È il vassoio in cui va inserito il disco.
- 5. OPEN / CLOSE (▲)**
Apre/chiude il vassoio del disco.
- 6. Display**
Mostra lo stato corrente del lettore.
- 7. Sensore del telecomando**
Sensore verso cui va puntato il telecomando del lettore DVD.

Telecomando



- 1 POWER**
Accende e spegne il lettore DVD.
- 2 OPEN / CLOSE**
Apre/chiude il vassoio del disco.
- 3 0-9 number buttons**
Selects numbered items in a menu.
- 4 CLEAR**
Rimuove un numero di traccia dall'elenco dei programmi o un marcatore dal menu MARKER SEARCH.
- 5 SCAN (◀◀ / ▶▶)**
Ricerca avanti o indietro.
- 6 PAUSE / STEP (||)**
Pone temporaneamente in pausa la riproduzione / Premere ripetutamente per la riproduzione fotogramma per fotogramma.
- 7 PLAY (▶)**
Avvia la riproduzione.
- 8 DVD MENU**
Avvia la riproduzione.
- 9 •◀▶▲▼ (sinistra/destra/su/giù)**
Seleziona una voce del menu.
- ENTER**
Conferma la selezione del menu.

- 10 DISPLAY**
Apre il menu a schermo (OSD)
- 11 • AUDIO**
Consente di selezionare una lingua per l'audio (DVD).
- SUBTITLE**
Seleziona una lingua per i sottotitoli.
- ANGLE**
Se disponibili, seleziona le angolazioni della cinepresa con un DVD.
- SETUP**
Richiama o abbandona il menù di Setup.
- 12 • REPEAT**
Ripete un capitolo, una traccia, un titolo, tutto.
- A-B**
Sequenza di ripetizione.
- RANDOM**
Riproduce le tracce con un ordine casuale.
- ***
Pulsante non disponibile.
- 13 Pulsanti di comando TV**
- TV POWER:**
Accende/spegne la TV.
- TV PR/CH +/-:**
Seleziona il canale TV.

- TV VOL +/-:**
Regola il volume della TV.
- AV:**
Seleziona la sorgente TV.
- 14 SKIP (◀◀ / ▶▶)**
Ritorna all'inizio del capitolo corrente o traccia o va al capitolo o traccia precedente. Conferma la selezione del menu.
- 15 STOP (■)**
Interrompe la riproduzione.
- 16 TITLE**
Visualizza i menu dei titoli, se disponibili.
- 17 RETURN**
Rimuove il menu di impostazione, visualizza il CD video con PBC.
- 18 • MARKER**
Consente di marcare un punto qualsiasi durante la riproduzione.
- SEARCH**
Visualizza il menu MARKER SEARCH.
- PROGRAM**
Apre/chiude le modalità di modifica programmi.
- ZOOM**
Allarga l'immagine del video.

Installazione del lettore

Collegamenti del lettore DVD

A seconda della TV e di altri apparecchi, esistono varie modalità per collegare il lettore. Fare riferimento ai manuali di TV, sistema stereo o altri apparecchi quando necessario per consultare ulteriori informazioni sui collegamenti.

Collegamenti video e audio alla TV

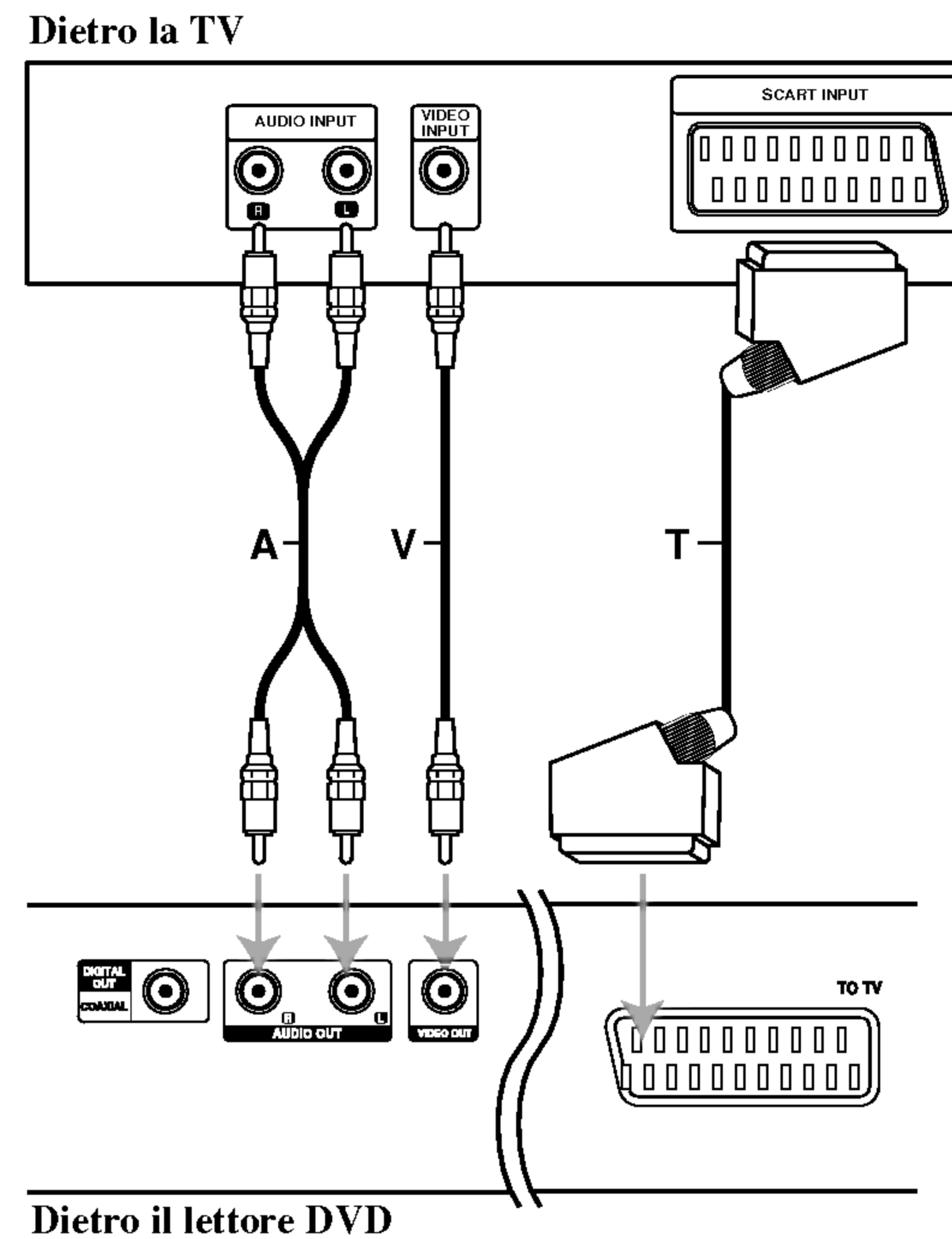
Accertarsi che il lettore DVD sia collegato direttamente alla TV e non a un videoregistratore, altrimenti l'immagine del DVD potrebbe essere distorta dal sistema di protezione dalla copia.

Video: Collegare il jack VIDEO OUT del lettore DVD al jack dell'ingresso video della TV utilizzando il cavo video (V).

SCART: Collegare il jack SCART "TO TV" del lettore DVD al jack SCART corrispondente della TV utilizzando il cavo SCART (T).

Collegamento audio alla TV:

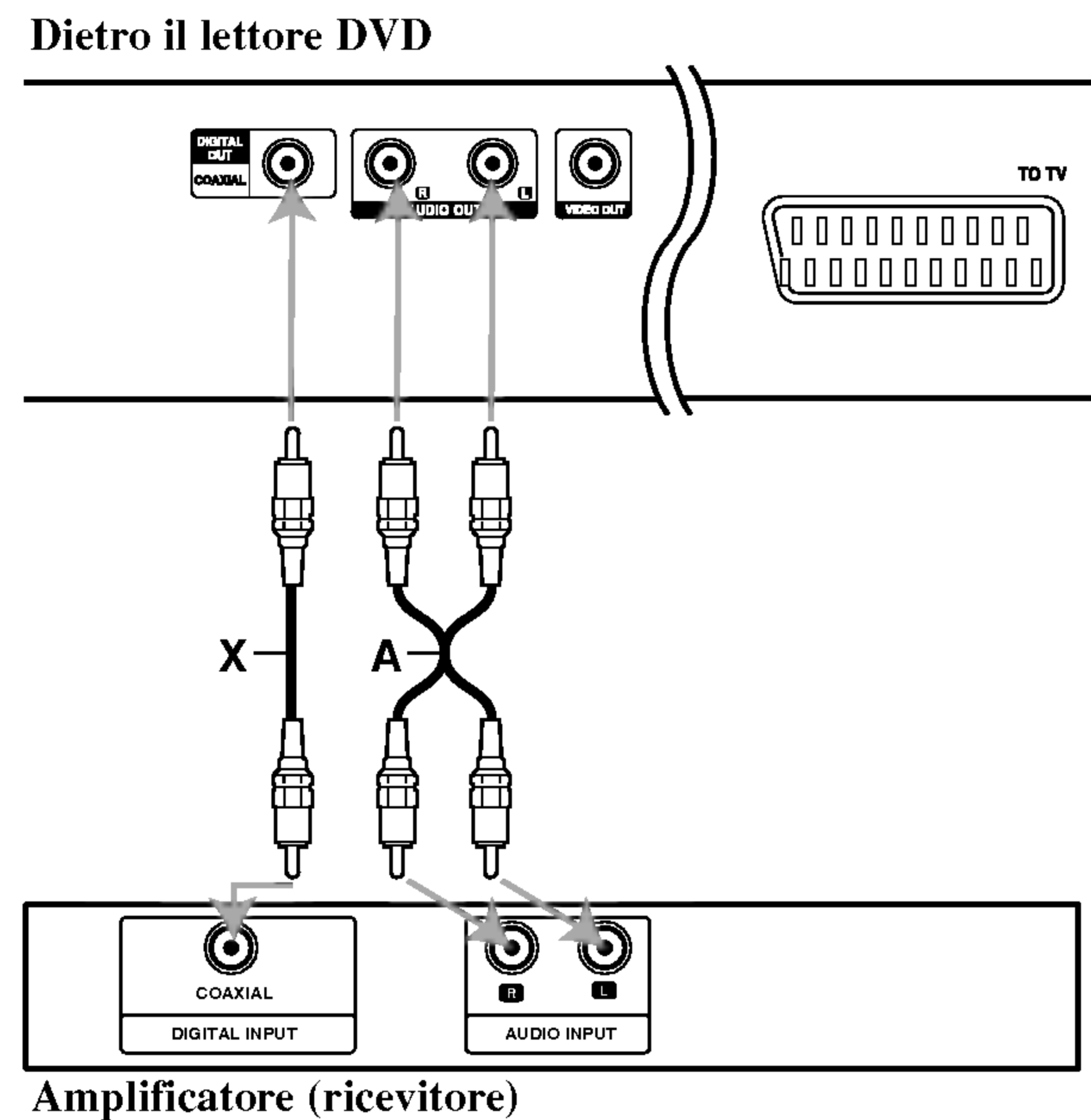
Collegare i jack AUDIO OUT sinistro (L) e destro (R) del lettore DVD ai jack degli ingressi audio sinistro e destro della TV utilizzando i cavi audio (A). Non collegare il jack AUDIO OUT del lettore DVD al jack dell'ingresso Phono (piastra del giradischi) del sistema audio.



Installazione del lettore (continua)

Collegamento audio ad apparecchi opzionali

Collegare il lettore DVD all'apparecchio opzionale per l'uscita audio.



Amplificatore dotato di stereo analogico a 2 canali o Dolby Pro Logic II / Pro Logic: Collegare i jack AUDIO OUT sinistro (L) e destro (R) del lettore DVD ai jack degli ingressi audio (IN) sinistro e destro dell'amplificatore, ricevitore o sistema stereo utilizzando i cavi audio (A).

Amplificatore dotato di stereo digitale a 2 canali (PCM) o ricevitore audio/video dotato di decoder multicanale (Dolby Digital™, MPEG 2 o DTS): Collegare uno dei jack di uscita audio DIGITAL OUT del lettore DVD (COAXIAL X) al corrispondente jack di ingresso (IN) dell'amplificatore. Utilizzare un cavo audio digitale opzionale (coassiale X).

Audio multicanale digitale

Un collegamento multicanale digitale consente di ottenere la migliore qualità sonora. Per questo scopo occorre disporre di un ricevitore audio/video multicanale che supporta uno o più dei formati audio supportati dal lettore DVD, quali MPEG 2, Dolby Digital e DTS. Controllare il contenuto del manuale del ricevitore e i loghi stampigliati sul pannello frontale del ricevitore.

NOTE

- Se il formato audio dell'uscita digitale non corrisponde con le capacità del proprio ricevitore, quest'ultimo produrrà suoni forti e distorti, oppure nessun audio.
- L'audio digitale Surround a sei canali mediante collegamento digitale potrà essere ottenuto solo se il ricevitore è equipaggiato con un decoder digitale multicanale.
- Per visualizzare nell'OSD il formato audio del DVD corrente, premere AUDIO.

Funzioni generali

Menu a schermo (OSD) **DVD** **VCD**

Alcune voci possono essere modificate utilizzando il menu.

1. Premere DISPLAY durante la riproduzione.
2. Premere ◀ / ▶ per selezionare una voce.
La voce selezionata è evidenziata.
3. Utilizzare i pulsanti ▲ / ▼ cambiare le impostazioni.
Premere ENTER.
È anche possibile utilizzare i tasti numerici, se appropriato
(ad esempio per inserire il numero del titolo).

 02:04 : Numero del titolo(traccia),  9:08:20 : Tempo

 02:04 : Numero del capitolo (solo dischi DVD)

Passaggio a un altro CAPITOLO/TRACCIA **DVD** **VCD**

Quando un titolo di un disco presenta più di un capitolo oppure quando un disco presenta più di una traccia, è possibile passare a un capitolo (o traccia) all'altro con la seguente procedura:

Premere SKIP ◀◀ oppure ▶▶ durante la riproduzione per selezionare il capitolo o la traccia successiva oppure per tornare all'inizio del capitolo/traccia corrente.
Premere brevemente SKIP ◀◀ due volte per passare al capitolo o alla traccia precedente.

Rallentatore **DVD** **VCD**

1. Premere PAUSA/STEP (||) durante la riproduzione .
Il lettore DVD inserisce la modalità Pausa (PAUSE)
2. Utilizzare SCAN▶▶ per selezionare la velocità desiderata.
▶▶ 1/16, ▶▶ 1/8, ▶▶ 1/4, o ▶▶ 1/2 (avanti).
3. Per uscire dalla modalità Rallentatore, premere PLAY.

Menu del titolo **DVD**

Verifica dei contenuti dei dischi DVD: Menu

All'interno dei dischi DVD possono essere contenuti dei menu che consentono l'accesso a caratteristiche speciali. Per utilizzare il menu del disco premere TITLE.

Per eseguire una selezione, immettere il numero corrispondente oppure utilizzare i pulsanti ◀ ▶ ▲ ▼. Quindi, premere ENTER.

Menu del disco **DVD**

Premere DVD MENU per visualizzare il menu del disco.
Premere nuovamente DVD MENU per uscire.

Cambiamento della lingua dell'audio **DVD**

Premere ripetutamente AUDIO durante la riproduzione per ascoltare una lingua o una traccia audio differente.

Ricerca **DVD** **VCD**

1. Premere SCAN (◀◀ o ▶▶) durante la riproduzione.
2. Premere ripetutamente SCAN (◀◀ o ▶▶) per selezionare la velocità richiesta:
DVD; X2, X4, X16 o X32
Video CD; X2, X4 o X8
3. Per uscire dalla modalità di ricerca, premere PLAY.

Fermo immagine e riproduzione fotogramma per fotogramma

DVD **VCD**

Premere PAUSE/STEP sul telecomando durante la riproduzione. Avanzare l'immagine fotogramma per fotogramma premendo ripetutamente PAUSE/STEP.
Premere PLAY per uscire dalla modalità di fermo immagine.

Funzioni generali (continua)

Ricerca marcatore **DVD** **VCD**

Per inserire un marcatore

È possibile memorizzare fino a nove punti da cui avviare la riproduzione. Per inserire un marcatore, premere **MARKER** al punto desiderato del disco. Sullo schermo della TV appare brevemente l'icona del marcatore. Ripetere la procedura per inserire fino a nove marcatori.

Per richiamare una scena marcata o cancellare un marcatore

1. Durante la riproduzione, premere **SEARCH**. Sullo schermo appare il menu di ricerca marcatore.
2. Entro 10 secondi, premere ◀ / ▶ per selezionare un marcatore che si desidera richiamare o cancellare.
3. Premere **ENTER** e la riproduzione si avvierà dalla scena marcata. Oppure, premere **CLEAR** e il numero del marcatore sarà eliminato dall'elenco.
4. È possibile riprodurre un marcatore qualsiasi inserendo il numero corrispondente nel menu di ricerca marcatore.

Ripetizione A-B **DVD** **VCD**

Questa funzione consente di ripetere una sequenza.

1. Premere **A-B** al punto di inizio scelto della sequenza. Sullo schermo appare brevemente l'indicazione "A".
2. Premere nuovamente **A-B** al punto di fine scelto della sequenza. Sullo schermo della TV appare brevemente l'indicazione "A B" e si avvia la ripetizione della sequenza.
3. Premere nuovamente **A-B** per annullare la ripetizione.

Ripetizione **DVD** **VCD1.1**

Premere **REPEAT** durante la riproduzione per selezionare la modalità di ripetizione desiderata.

Dischi video DVD

- Capitolo: ripete il capitolo corrente.
- Titolo: ripete il titolo corrente.
- Off : non riproduce in maniera ripetuta.

Video CD

- Traccia: ripete la traccia corrente.
- Tutto: ripete tutte le tracce di un disco.
- Off: non riproduce in maniera ripetuta.

NOTE

- Su un Video CD con PBC, è necessario impostare la funzione PBC a Off nel menu di configurazione per utilizzare questa funzione (vedere "PBC" a pagina 22).
- Se si preme una volta **SKIP** (▶▶) durante la riproduzione ripetuta Chapter (o Track), la riproduzione ripetuta viene annullata.

Causale **VCD**

1. Premere **RANDOM** durante la riproduzione L'unità avvia automaticamente la riproduzione casuale e la scritta **Causale** viene visualizzata sullo schermo.
2. Per tornare alla riproduzione normale, premere ripetutamente **RANDOM** fino a quando sullo schermo non compare **Normale**.

SUGGERIMENTI

- Se si preme **SKIP** ▶▶ durante la riproduzione casuale, l'unità seleziona un altro titolo (o traccia) e riprende la riproduzione casuale.
- Su un Video CD con PBC, è necessario impostare la funzione PBC a Off nel menu di configurazione per utilizzare questa funzione (vedere "PBC" a pagina 22).

Funzioni generali (continua)

Zoom **DVD** **VCD**

La funzione Zoom consente di ingrandire l'immagine a video.

1. Premere ZOOM durante la riproduzione per attivare la funzione di Zoom.
2. Ogni pressione del pulsante ZOOM cambia lo schermo secondo la seguente sequenza: 200% → 300% → 400% → Normale (4 fasi).
3. Utilizzare i pulsanti ◀ ▶ ▲ ▼ per spostarsi nell'immagine ingrandita.
4. Per riprendere la riproduzione normale, premere ripetutamente i pulsanti CLEAR.

NOTA

la funzione Zoom potrebbe non funzionare per alcuni DVD.

Angolazione della telecamera **DVD**

Se il disco contiene scene registrate in differenti angolazioni di telecamera, è possibile cambiare l'angolazione durante la riproduzione. Premere ANGLE ripetutamente durante la riproduzione per selezionare un'angolazione desiderata. Notare che sul display viene visualizzato il numero dell'angolazione corrente.

Sottotitoli **DVD**

Premere SUBTITLE ripetutamente durante la riproduzione per visualizzare le diverse lingue dei sottotitoli.

Cambiamento del canale audio **VCD**

Premere ripetutamente AUDIO durante la riproduzione per ascoltare un differente canale audio (Stereo, Sinistra o Destra).

Memorizzazione dell'ultima scena **DVD** **CD** **VCD**

Il lettore memorizza l'ultima scena dell'ultimo disco visualizzato. La scena resta in memoria anche se si rimuove il disco dal lettore o si spegne il lettore. Se si carica il disco che ha la scena memorizzata, la scena viene automaticamente richiamata.

NOTA

il lettore non memorizza la scena di un disco se si spegne il lettore prima di iniziare la riproduzione del disco.

Screen Saver

Se si lascia il lettore DVD in modalità interrotto per circa cinque minuti, viene visualizzato uno screen saver (salvaschermo). Trascorsi cinque minuti dall'avvio dello screen saver, il lettore DVD si spegne automaticamente.

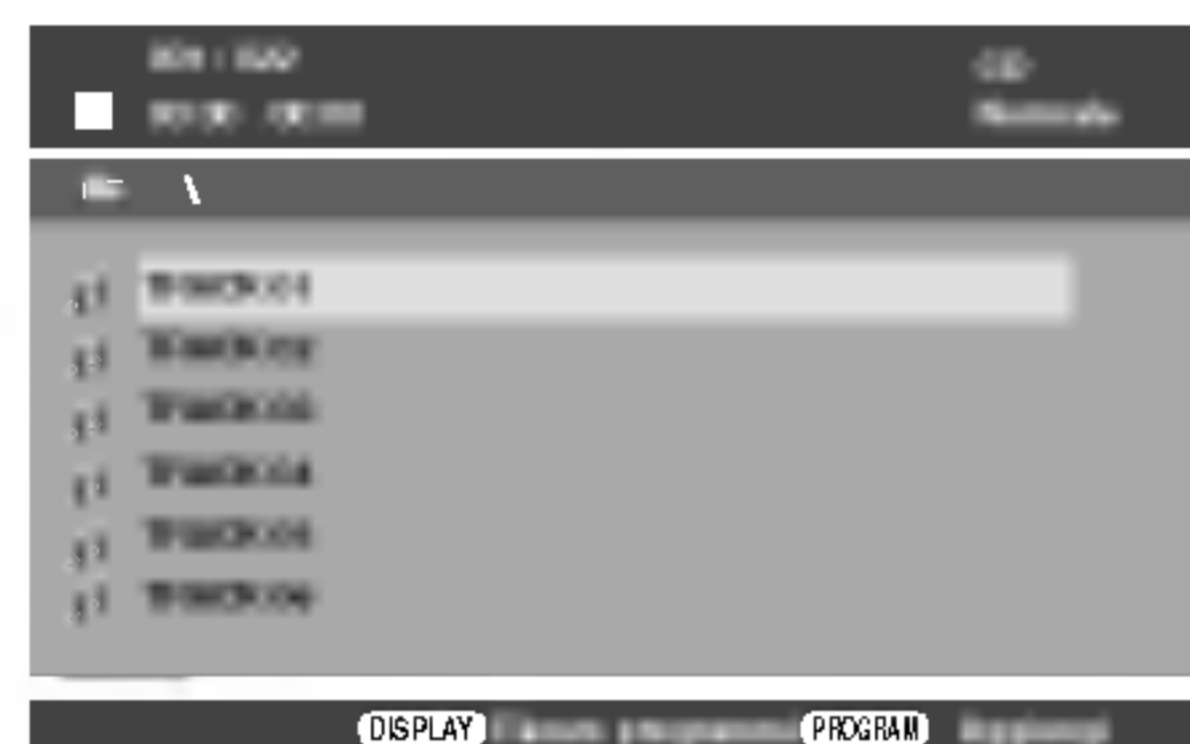
Selezione del sistema

È necessario selezionare la modalità appropriata per il proprio sistema TV. Se nel display appare il messaggio NO DISC, tenere premuto il pulsante PAUSE sul pannello frontale per più di 5 secondi per poter selezionare un sistema (PAL, NTSC o AUTO).

Riproduzione di un CD audio o di un disco di MP3/WMA

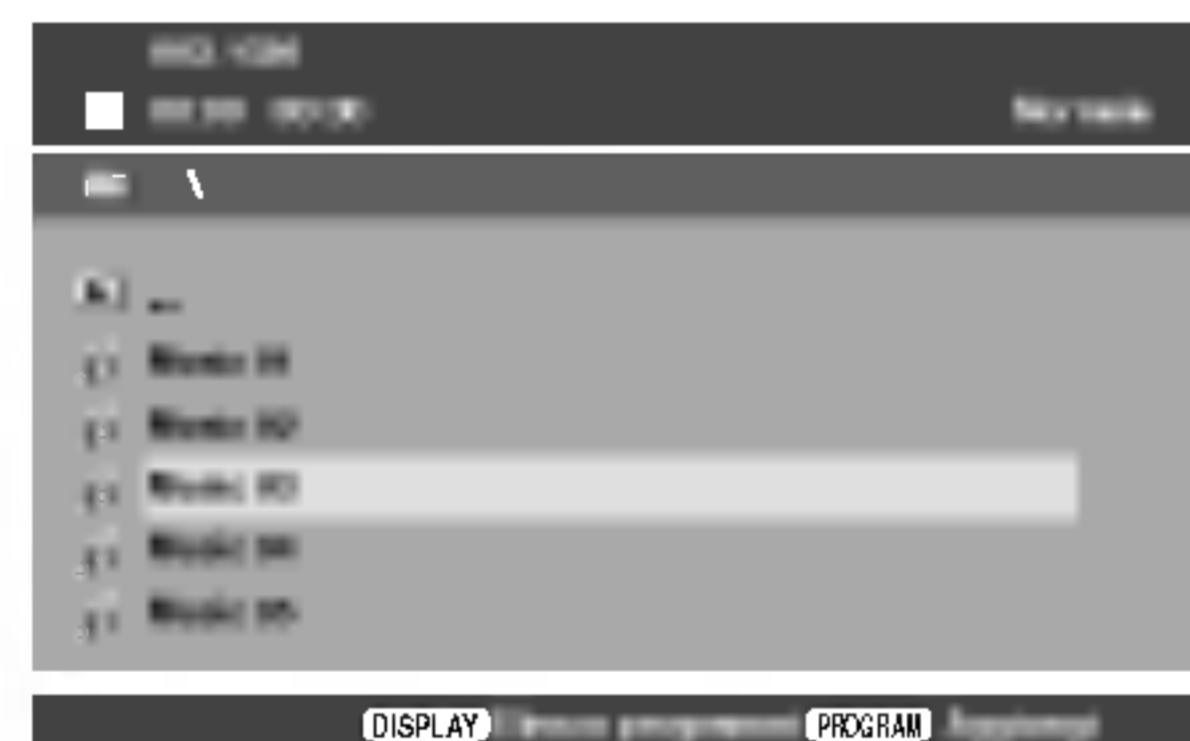
CD audio

Una volta inserito un CD audio, viene visualizzato un menu sullo schermo. Premere ▲ / ▼ per selezionare una traccia, quindi premere PLAY o ENTER per avviare la riproduzione.




MP3 / WMA

1. Premere ▲ / ▼ per selezionare una cartella, quindi premere PLAY o ENTER per visualizzarne i contenuti.
2. Premere ▲ / ▼ per selezionare una traccia, quindi premere PLAY o ENTER. Viene avviata la riproduzione.



SUGGERIMENTI

- Se ci si trova in un elenco di file nel menu MUSIC e si desidera tornare all'elenco cartelle, utilizzare i pulsanti ▲ / ▼ per eseguire la selezione , quindi premere ENTER o PLAY.
- Premere DVD MENU per spostarsi alla pagina successiva. Premere TITLE per spostarsi alla pagina precedente.
- Su un CD con file MP3/WMA e JPEG, è possibile passare dal menu MP3/WMA a JPEG. Premere ▲ / ▼ per selezionare una cartella, quindi premere ENTER per visualizzarne i contenuti.

La compatibilità dei dischi MP3/WMA con il lettore è limitata alle seguenti caratteristiche:

- Frequenza di campionamento: entro a 8 - 48 kHz (MP3), tra 32 - 48 kHz (WMA)
- Velocità bit: entro 8 e 320 kbps (MP3), entro 32 - 192 kbps (WMA)
- Il lettore non può leggere un file MP3/WMA salvato con estensione diversa da ".mp3" / ".wma".
- Il formato fisico dei dischi CD-R deve essere ISO 9660.
- Se si sono registrati file MP3/WMA utilizzando software che non possono creare un file system (ad esempio, Direct-CD), è impossibile riprodurre file MP3/WMA. È consigliato l'uso di Easy-CD Creator, che crea un file system ISO 9660.
- I nomi dei file devono avere massimo 8 lettere e incorporare un'estensione .mp3 o .wma.
- Essi non devono contenere lettere speciali quali ad esempio / ? * : " < > , ecc.
- Il numero totale dei file sul disco deve essere inferiore a 648.

Il lettore DVD richiede dischi e registrazioni che rispettano determinati standard tecnici al fine di ottenere la qualità di riproduzione ottimale. I DVD preregistrati sono automaticamente impostati su questi standard. Esistono molte tipologie differenti di formati di dischi registrabili (inclusi i CD-R contenenti file MP3 o WMA) e sono necessari determinati prerequisiti (vedere sopra) per assicurarne la compatibilità di riproduzione.

È opportuno considerare che occorrono autorizzazioni per scaricare file MP3/WMA e musica da Internet. La nostra società non ha diritti per fornire tali autorizzazioni. Le autorizzazioni devono essere sempre concesse da chi detiene il Copyright.

Riproduzione di un CD audio o di un disco di MP3/WMA (continua)

Funzioni dei CD Audio e dei dischi di MP3/WMA

Pausa **CD** **MP3** **WMA**

1. Premere PAUSE/STEP durante la riproduzione.
2. Per tornare alla riproduzione, premere PLAY, ENTER oppure premere nuovamente PAUSE/STEP.

Passaggio a un'altra traccia **CD** **MP3** **WMA**

1. Premere brevemente SKIP (◀◀ oppure ▶▶) durante la riproduzione per passare alla traccia successiva oppure tornare all'inizio della traccia corrente.
2. Premere brevemente SKIP ◀◀ due volte per passare alla traccia precedente.
3. È possibile riprodurre una traccia qualsiasi immettendo il numero corrispondente.

Causale **CD** **MP3** **WMA**

1. Premere RANDOM durante la riproduzione. La riproduzione casuale viene subito avviata e la scritta Causale visualizzata sullo schermo del menu.
2. Per tornare alla riproduzione normale, premere ripetutamente RANDOM fino a quando sullo schermo non compare Normale.

SUGGERIMENTO

Se si preme SKIP ▶▶ durante la riproduzione casuale, l'unità seleziona un'altra traccia e riprende la riproduzione casuale.

Ripetizione Traccia/Tutto/Normale **CD** **MP3** **WMA**

È possibile ripetere traccia/tutto su un disco.

1. Premere REPEAT durante la riproduzione di un disco. Appare l'icona della funzione di ripetizione.
2. Premere REPEAT per selezionare la modalità di ripetizione desiderata.
 - Traccia: ripete la traccia corrente.
 - Tutto: ripete tutte le tracce di un disco.
 - Normale: non riproduce in maniera ripetuta.

NOTA

Se si preme una volta SKIP (▶▶) durante la riproduzione ripetuta Track, la riproduzione ripetuta viene annullata.

Ripetizione A-B **CD** **MP3** **WMA**

1. Per ripetere una sequenza, durante la riproduzione premere A-B al punto di inizio scelto della sequenza. L'icona della funzione di ripetizione e il simbolo "A" appaiono sullo schermo.
2. Premere nuovamente A-B al punto di fine scelto della sequenza. L'icona della funzione di ripetizione e il simbolo "A B" appaiono sullo schermo, quindi viene avviata la riproduzione ripetuta della sequenza.
3. Per chiudere la sequenza e tornare alla riproduzione normale, premere nuovamente A-B.

Ricerca **CD** **MP3** **WMA**


1. Premere SCAN (◀◀ o ▶▶) durante la riproduzione.
2. Premere ripetutamente SCAN (◀◀ o ▶▶) per selezionare la velocità desiderata.
2X, 4X o 8X
3. Per uscire dalla modalità di Search, premere PLAY.

Visualizzazione di un disco di JPEG

Con il lettore DVD è possibile vedere e dischi contenenti file JPEG.

1. Inserire un disco e chiudere il vassoio.
Sullo schermo appare il menu PHOTO.



2. Premere ▲ / ▼ per selezionare una cartella, quindi premere ENTER o PLAY. Nella cartella appare l'elenco dei file. Se ci si trova in un elenco di file e si desidera tornare all'elenco precedente di cartelle, utilizzare i pulsanti ▲ / ▼ del telecomando per selezionare l'icona  e premere ENTER o PLAY.
3. Se si desidera visualizzare un particolare file, premere ▲ / ▼ per selezionare un file, quindi premere ENTER oppure PLAY. Ha inizio la visualizzazione dei file.
Durante la visualizzazione di un'immagine, è possibile premere STOP per spostarsi al menu precedente (menu FOTO).

SUGGERIMENTI

- Premere DVD MENU per spostarsi alla pagina successiva.
Premere TITLE per spostarsi alla pagina precedente.
- Su un CD con file MP3/WMA e JPEG, è possibile passare dal menu MP3/WMA a JPEG. Premere ▲ / ▼ per selezionare una cartella, quindi premere ENTER per visualizzarne i contenuti.

Passare a un altro file **JPEG**

Durante la visione di un'immagine, premere SKIP (◀◀ o ▶▶) una volta per avanzare al file successivo o tornare al file precedente.

Per ruotare l'immagine

Premere ◀ / ▶ durante la visualizzazione dell'immagine per ruotare l'immagine in senso orario o antiorario.

Immagine statica **JPEG**

1. Premere PAUSE/STEP durante la presentazione. Il lettore passa nella modalità PAUSE.
2. Per tornare alla presentazione, premere PLAY, ENTER oppure premere nuovamente PAUSE/STEP.

Zoom **JPEG**

La funzione Zoom consente di ingrandire l'immagine a video.

1. Premere ZOOM durante la riproduzione per attivare la funzione di Zoom.
2. Ogni pressione del pulsante ZOOM cambia lo schermo secondo la seguente sequenza:
100% → 150% → 200% → 100%
3. Utilizzare i pulsanti ◀ ▶ ▲ ▼ per spostarsi nell'immagine ingrandita.
4. Per riprendere la riproduzione normale, premere ripetutamente CLEAR o ZOOM per selezionare il 100%.

La compatibilità dei dischi JPEG con il lettore è limitata alle seguenti caratteristiche:

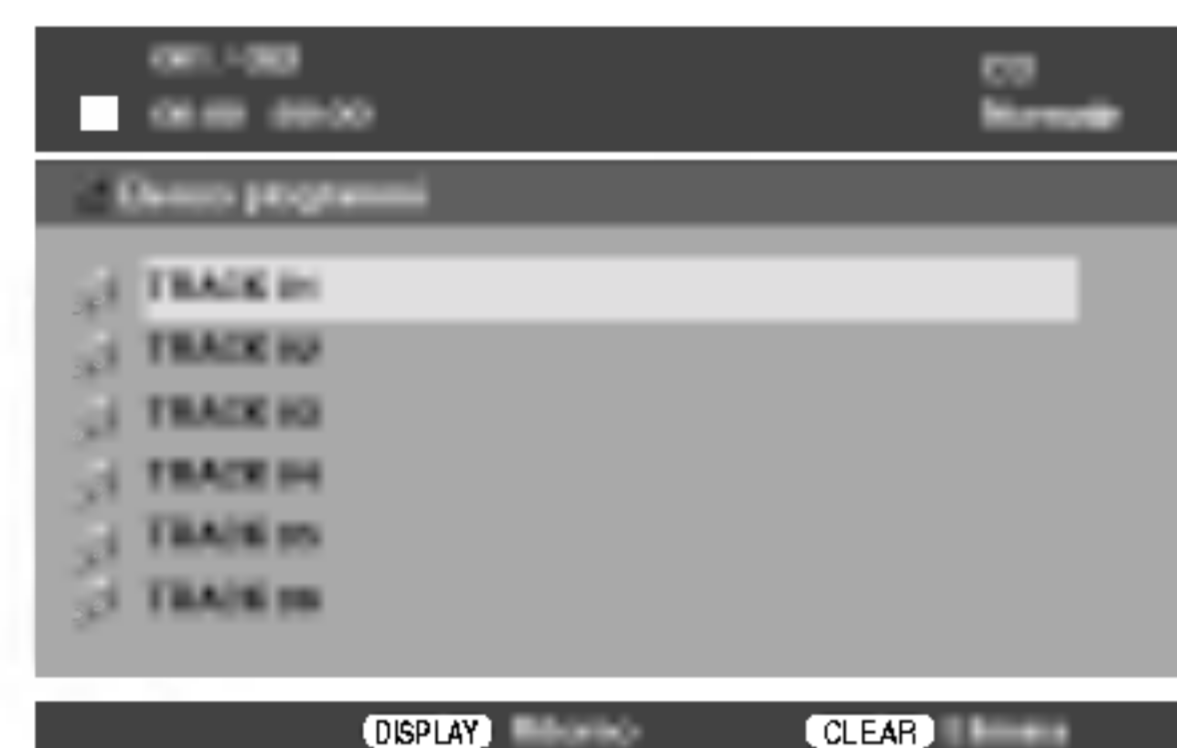
- A seconda delle dimensioni e numero di file JPEG, il lettore DVD può impiegare un tempo relativamente lungo per leggere la visualizzazione dello schermo. Se non si vede visualizzazione sullo schermo dopo alcuni minuti, alcuni dei file possono essere troppo grandi – ridurre la risoluzione dei file JPEG a meno di 2M pixel come 2760X2048 pixel e masterizzare un altro disco.
- Il numero totale di file e cartelle sul disco deve essere inferiore a 648.
- Alcuni dischi possono essere incompatibili a causa di un differente formato di registrazione o delle condizioni del disco.
- Accertarsi che tutti i file selezionati abbiano l'estensione ".jpg" quando vengono copiati sul CD.
- Se i file hanno estensione ".jpe" o ".jpeg", rinominarli utilizzando l'estensione ".jpg".
- I file denominati senza estensione ".jpg" non potranno essere letti dal lettore DVD, anche se i file vengono visualizzati come file immagine JPEG in Esplora risorse.

Riproduzione programmata **CD** **MP3** **WMA**

La funzione Programma consente di memorizzare nella memoria del lettore le tracce preferite da qualsiasi disco.

Un programma può contenere 30 tracce (CD Audio, MP3/WMA).

1. Inserire un disco (Audio CD, MP3 o WMA.)
2. Utilizzare i pulsanti ▲ / ▼ per selezionare il file desiderato.
3. Premere PROGRAM durante la riproduzione o in modalità di Stop.
Premere nuovamente PROGRAM per inserire ulteriori tracce all'elenco.
4. Premere DISPLAY. Viene visualizzato il menu Elenco Programma.
Premere ▲ / ▼ per selezionare la traccia da riprodurre.
Premere DVD MENU per spostarsi alla pagina successiva.
Premere TITLE per spostarsi alla pagina precedente.



Menu dei CD audio



Menu dei MP3/WMA

5. Premere PLAY o ENTER per iniziare.
6. Per riprendere la riproduzione normale dalla riproduzione programmata.
Premere DISPLAY, quindi selezionare una traccia dall'elenco, quindi premere PLAY o ENTER.

Cancellazione di una traccia dall'Elenco Programma

1. Utilizzare ▲ / ▼ per selezionare la traccia che si desidera cancellare dall'Elenco Programma.
2. Premere CLEAR. Ripetere per cancellare ulteriori tracce all'elenco.

Per maggiori informazioni su ciascuna voce operativa, consultare la relativa pagina.

Impostazioni iniziali

Mediante il menu di configurazione è possibile effettuare varie regolazioni a impostazioni quali l'immagine e l'audio. È anche possibile impostare una lingua per i sottotitoli e per il menu di configurazione, oltre ad altre configurazioni. Per ulteriori dettagli su ciascuna voce del menu di configurazione, vedere le pagine da 17 a 22.

Per aprire e chiudere il menu:

Premere SETUP per visualizzare il menu. Una seconda pressione del pulsante SETUP consente di tornare alla schermata iniziale.

Passare al livello successivo:

Premere ► sul telecomando.

Tornare al livello precedente:

Premere ◀ sul telecomando.

Funzionamento generale

1. Premere SETUP. Viene visualizzato il menu di configurazione.
2. Utilizzare i pulsanti ◀ / ► per selezionare l'opzione desiderata, quindi premere il pulsante ▼ per spostarsi al secondo livello. Lo schermo mostra l'impostazione corrente della voce selezionata, insieme ad impostazioni alternative.
3. Utilizzare i pulsanti ▲ / ▼ per selezionare la seconda opzione desiderata, quindi premere il pulsante ► per spostarsi al terzo livello.
4. Utilizzare i pulsanti ▲ / ▼ per selezionare l'impostazione desiderata, quindi premere ENTER per confermare la selezione. Alcune voci potrebbero richiedere ulteriori passi.
5. Premere SETUP, RETURN o PLAY per uscire dal menu di configurazione.

LINGUA



Linguaggio Menu

Consente di selezionare una lingua per il menu di configurazione e le voci OSD.

Linguaggio Audio / Sottotitoli Disco / Menu Disco **DVD**

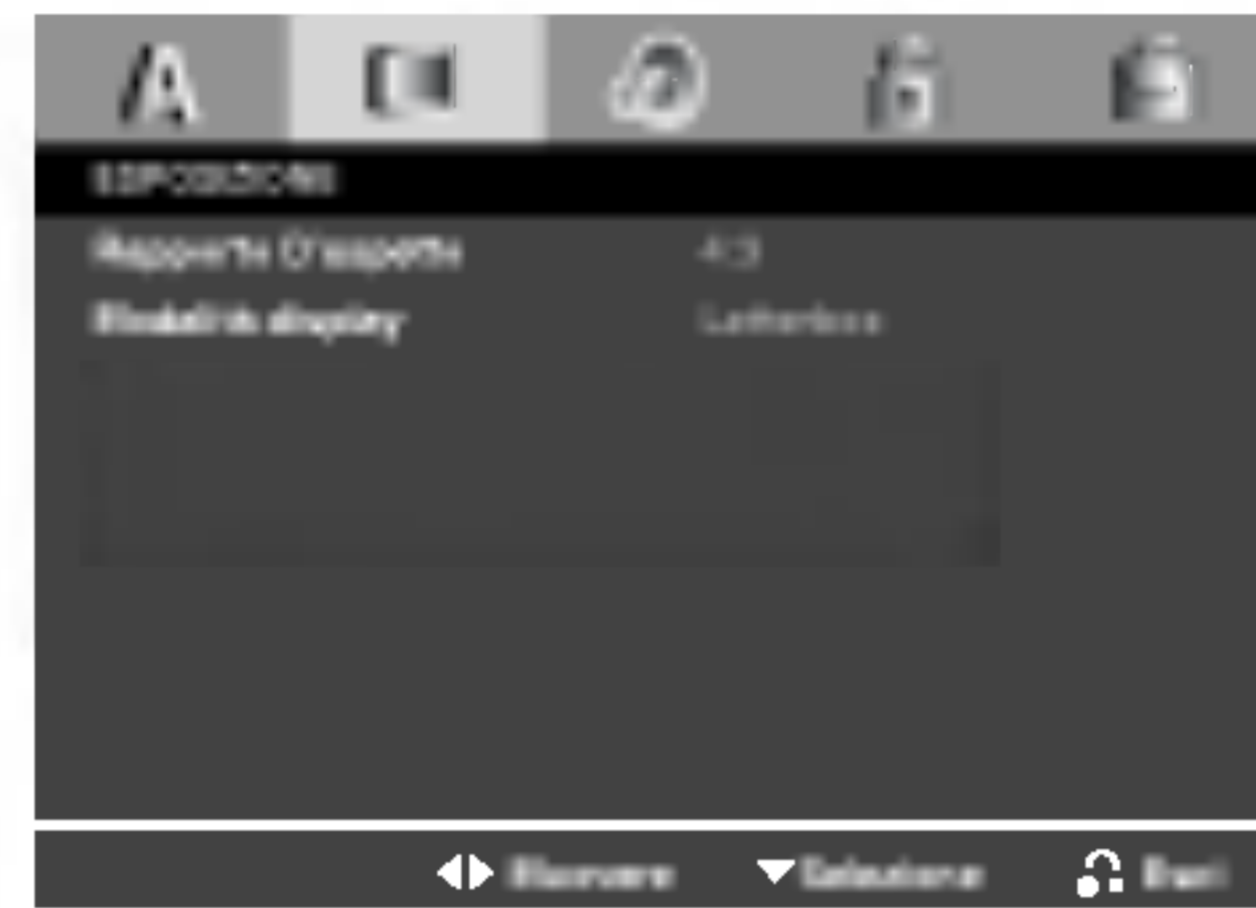
Consente di selezionare la lingua preferita per la traccia audio (l'audio del disco), i sottotitoli e il menu del disco.

Default: fa riferimento alla lingua originale in cui è stato registrato il disco.

Altri: per selezionare un'altra lingua, premere i pulsanti numerici, quindi ENTER per immettere il numero a 4 cifre corrispondente all'elenco dei codici di lingua riportato nel capitolo dei riferimenti. Se viene immesso un codice di lingua errato, premere CLEAR.

Impostazioni iniziali (continua)

ESPOSIZIONE



Rapporto D'aspetto **DVD**

4:3: Impostazione da selezionare quando è collegata una TV di formato standard 4:3.

16:9: Impostazione da selezionare quando è collegata una TV di formato esteso 16:9.

Modalità display **DVD**

L'impostazione Display Mode funziona solo quando è selezionato il formato "4:3" nell'impostazione TV Aspect.

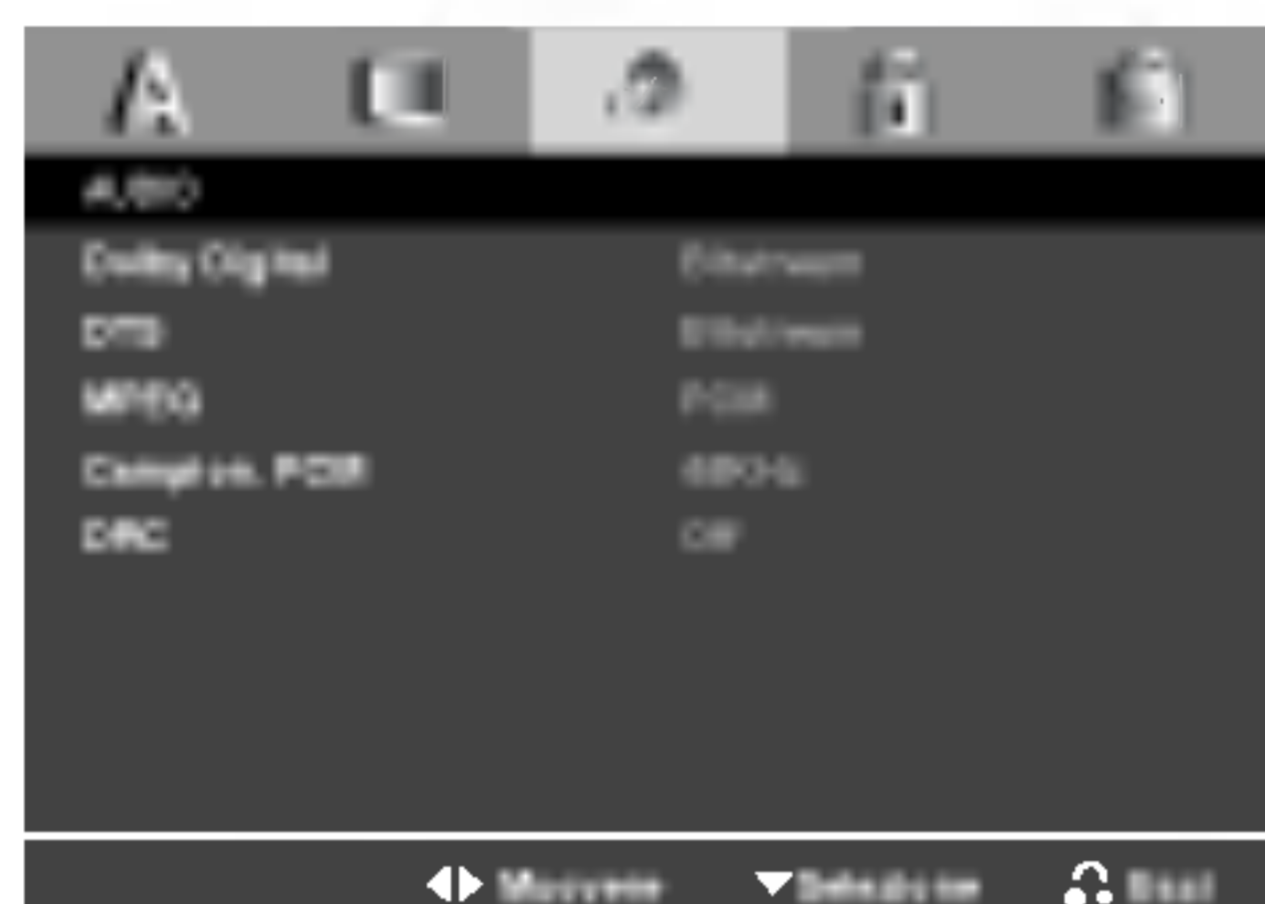
Letterbox: visualizza un'immagine estesa con una banda superiore e una inferiore sullo schermo.

Panscan: visualizza automaticamente l'immagine estesa a schermo intero, tagliando le porzioni di immagine che non vi rientrano.

Impostazioni iniziali (continua)

AUDIO

Ogni disco DVD ha una varietà di opzioni di uscita audio. Impostare la configurazione AUDIO del lettore sulla base del tipo di sistema audio utilizzato.



Dolby Digital / DTS / MPEG **DVD**

Bitstream: selezionare "Bitstream" se si è collegato il jack di uscita audio DIGITAL OUT del lettore DVD a un amplificatore o altro apparecchio dotato di decoder Dolby Digital, DTS o MPEG.

PCM (per Dolby Digital / MPEG): impostazione da selezionare quando il lettore è collegato a un amplificatore stereo digitale a due canali. Verrà eseguito automaticamente il downmix in audio PCM a due canali dei DVD codificati in Dolby Digital o MPEG.

Off (per DTS): se si seleziona "Off", dal jack di uscita audio DIGITAL OUT non verrà emesso il segnale DTS.

Campion. PCM **DVD**

Se il proprio ricevitore o amplificatore NON è in grado di gestire segnali a 96 kHz, selezionare 48 kHz. Selezionando questa opzione, l'unità converte automaticamente qualsiasi segnale a 96 kHz in segnali a 48 kHz, in modo che il sistema possa decodificarli.

Se il proprio ricevitore o amplificatore è in grado di gestire segnali a 96 kHz, selezionare 96 kHz. Selezionando questa opzione, l'unità consente il passaggio di qualsiasi tipo di segnale senza ulteriori elaborazioni.

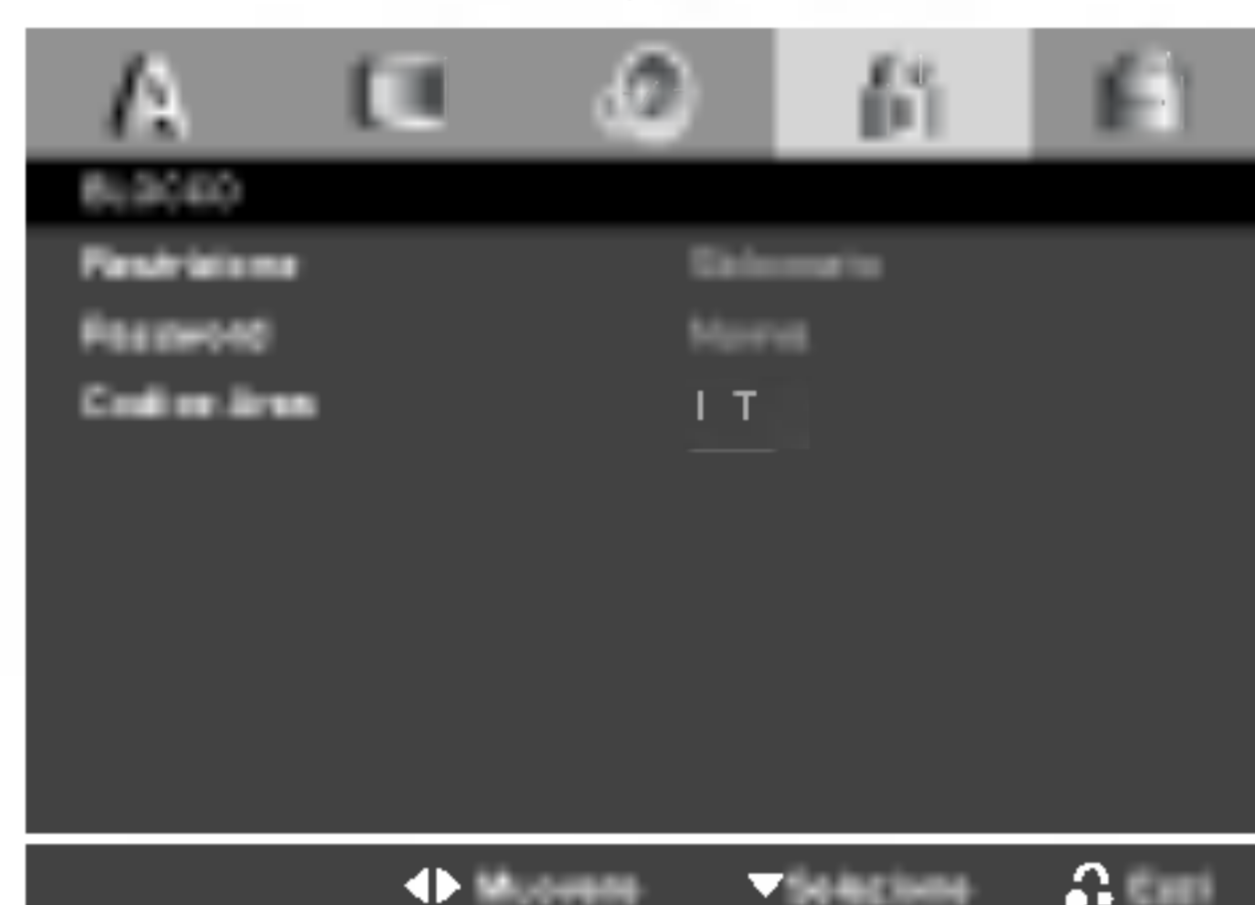
Consultare la documentazione dell'amplificatore per verificarne le capacità.

DRC (controllo della gamma dinamica) **DVD**

Con il formato DVD, è possibile ascoltare la colonna sonora di un programma nella presentazione più accurata e realistica possibile, grazie alla tecnologia audio digitale. Tuttavia, l'utente potrebbe voler comprimere la gamma dinamica dell'uscita audio (la differenza tra i suoni più vivaci e quelli più tenui). In questo modo è possibile ascoltare un film a un volume più basso senza perdere la chiarezza sonora. Impostare su On la funzione DRC per ottenere questo effetto.

Impostazioni iniziali (continua)

BLOCCO (Filtro Contenuti)



Restrizione **DVD**

Alcuni filmati possono contenere scene non adatte alla visione dei bambini. Molti dischi comprendono informazioni per filtrare i contenuti che si possono applicare a tutto il contenuto del disco o soltanto ad alcune scene del disco. I filmati e le scene sono classificati da 1 a 8, a seconda del paese. Alcuni dischi contengono delle scene più adatte proposte in alternativa.

La funzione di filtro contenuti serve a bloccare l'accesso alle scene che non rientrano nella restrizione impostata, impedendone la visione da parte dei bambini.

Restrizione da 1 a 8: uno (1) corrisponde alle restrizioni di riproduzione più elevate mentre otto (8) è la meno restrittiva.

Sbloccato: La selezione dello sblocco disattiva la funzione di filtro contenuti.

NOTA

Impostando una tipologia di restrizione per il lettore, verranno riprodotte tutte le scene con la stessa restrizione o con classificazione inferiore. Le scene con una classificazione superiore non verranno riprodotte a meno che sul disco non siano disponibili scene alternative. Le scene alternative devono corrispondere alla restrizione impostata o a una inferiore. In caso

non siano disponibili scene alternative idonee, la riproduzione viene interrotta. Per la riproduzione del disco è necessario digitare la password a 4 cifre o modificare il livello di restrizione.

1. Selezionare "Restrizione" nel menu LOCK, quindi premere ►.
2. Selezionare una classificazione da 1 a 8 utilizzando i pulsanti ▲/▼, quindi premere ENTER.
Viene visualizzata la finestra di inserimento della password.
3. **Se non è ancora stata inserita una password:**
Quando viene evidenziata la sezione "Nuova password", digitare una nuova password a 4 cifre, quindi premere ENTER. Digitare nuovamente la password a 4 cifre per verifica quando viene evidenziata la sezione "Conferma password". Verrà evidenziato "OK".
Se è già stata inserita una password:
Digitare la password a 4 cifre mediante i tasti numerici.
Verrà evidenziato "OK".
4. Premere ENTER per confermare la selezione della restrizione, quindi premere SETUP per chiudere il menu.

SUGGERIMENTI

- In caso di errore, prima di premere ENTER in ciascuna sezione, premere ripetutamente CLEAR o ◀ per cancellare i numeri della password una alla volta e correggerli.
- Se si immette una password errata, non sarà possibile passare alla fase successiva.

Impostazioni iniziali (continua)

Password (codice di sicurezza)

È possibile creare o modificare una password.

1. Selezionare "Password" nel menu LOCK, quindi premere ►. Viene selezionato "Modificare".
2. Premere ENTER per visualizzare la finestra della password.
3. **Per creare una nuova password:**
Quando viene evidenziata la sezione "Nuova password", digitare una nuova password a 4 cifre, quindi premere ENTER. Digitare nuovamente la password a 4 cifre per verifica quando viene evidenziata la sezione "Conferma password". Verrà evidenziato "OK".
Per modificare la password:
Quando viene evidenziata la sezione "Vecchia password", digitare la nuova password a 4 cifre creata, quindi premere ENTER. Verrà evidenziato "Nuova password". Digitare una nuova password a 4 cifre mediante i tasti numerici, quindi premere ENTER. Digitare nuovamente la nuova password a 4 cifre per verifica quando viene evidenziata la sezione "Conferma password". Verrà evidenziato "OK".
4. Premere SETUP per uscire dal menu.

Se si dimentica il codice di sicurezza

In caso non si ricordi il codice di sicurezza, è possibile annullarlo come segue:

1. Rimuovere il disco dall'unità e chiudere il vassoio.
Verificare che nella finestra del display sia visualizzato "nodisc" (nessun disco).
2. Premere SETUP per visualizzare il menu di configurazione sullo schermo TV.
Digitare il numero a 6 cifre "210499" mediante i tasti numerici.
Verificare che nella finestra del display sia visualizzato "P-CLr".
3. Digitare una nuova password come illustrato precedentemente.

Codice area **DVD**

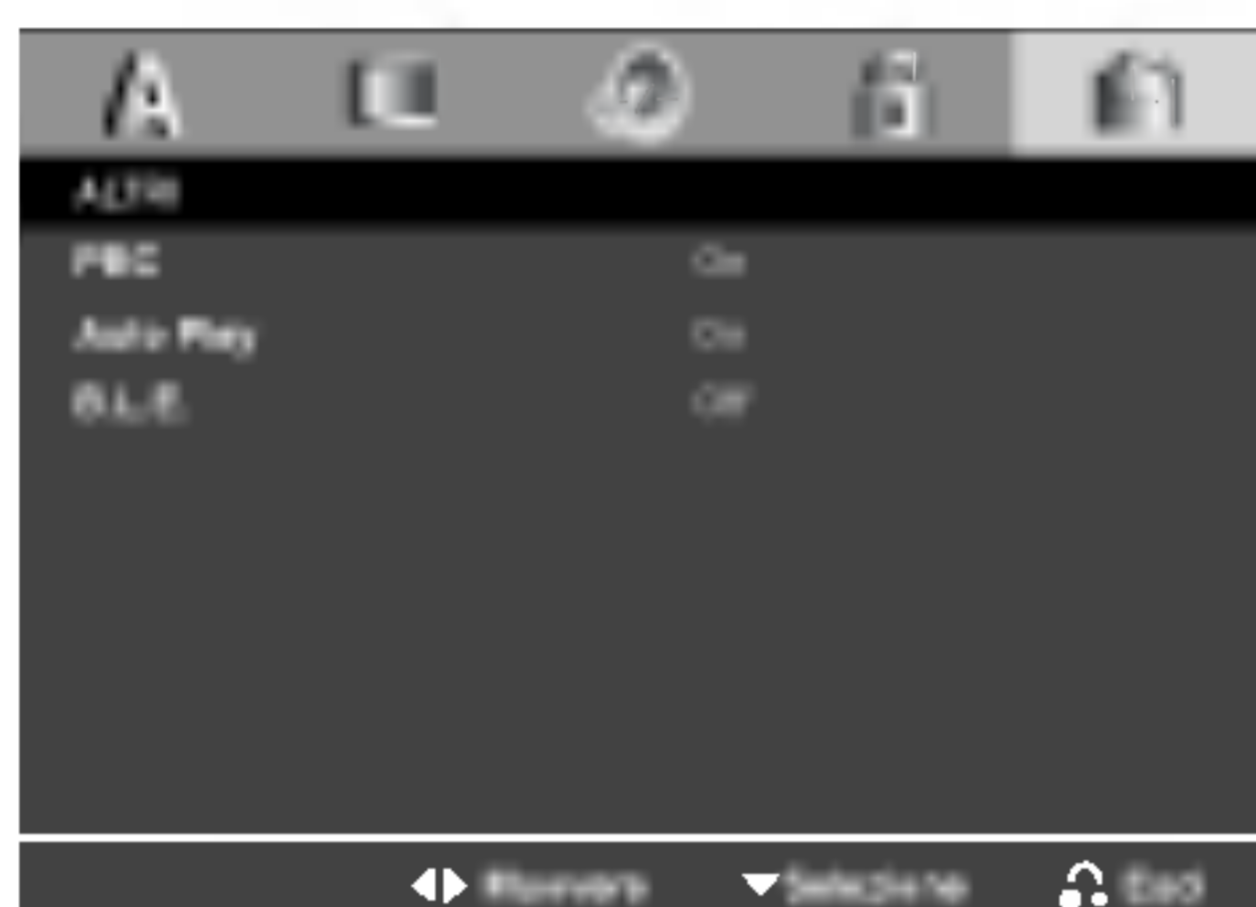
Immettere il codice dell'area i cui standard sono stati utilizzati per classificare il disco video DVD, facendo riferimento all'elenco nel capitolo di riferimento.

1. Selezionare "Codice area" nel menu LOCK, quindi premere ►.
2. Selezionare il primo carattere mediante i pulsant ▲ / ▼.
3. Spostare il cursore mediante il tasto ► e selezionare il secondo carattere mediante i tasti ▲ / ▼, quindi premere ENTER per visualizzare la finestra della password
4. Premere ENTER per visualizzare la finestra della password.
5. **Se non è ancora stata inserita una password:**
Quando viene evidenziata la sezione "Nuova password", digitare una nuova password a 4 cifre, quindi premere ENTER. Digitare nuovamente la password a 4 cifre per verifica quando viene evidenziata la sezione "Conferma password". Verrà evidenziato "OK".
Se è già stata inserita una password:
Digitare la password a 4 cifre mediante i tasti numerici.
Verrà evidenziato "OK".
6. Premere ENTER per confermare la selezione del codice area, quindi premere SETUP per chiudere il menu.

Impostazioni iniziali (continua)

ALTRI

Le impostazioni PBC, Auto Play e B.L.E. possono essere modificate.



PBC **VCD**

Attiva (On) o disattiva (Off) il controllo della riproduzione PBC.

On: i Video CD dotati di PBC vengono riprodotti seguendo i controlli PBC.

Off: i Video CD dotati di PBC vengono riprodotti allo stesso modo dei CD audio.

NOTE

- **PBC: Playback Control (solo per Video CD)**

La funzione Playback Control (PBC) è disponibile solo per i formati di disco Video CD (VCD) versione 2.0. PBC consente di interagire con il sistema mediante menu, funzioni di ricerca, o altre operazioni simili a quelle operate sui computer. Inoltre, è possibile riprodurre immagini statiche ad alta risoluzione, se sono state include nel disco. I Video CD che non dispongono di PBC (versione 1.1) funzionano allo stesso modo dei CD audio.

- Utilizzare i pulsanti numerici per selezionare la traccia che si desidera vedere, quindi premere RETURN per tornare alla schermata del menu. Le impostazioni del menu e le procedure operative potrebbero essere diverse. Seguire le istruzioni visualizzate in ogni schermata di menu. È anche possibile impostare la funzione PBC a Off.

Auto Play **DVD**

È possibile configurare il lettore DVD in modo da avviare automaticamente la riproduzione di un DVD quando lo stesso viene inserito.

Se l'opzione Auto Play è impostata su On, il lettore DVD cerca il titolo che presenta la maggiore durata di riproduzione, quindi lo avvia automaticamente.

On: funzione Auto Play attivata.

Off: funzione Auto Play disattivata.

NOTA

la funzione Auto Play potrebbe non funzionare su alcuni DVD.

B.L.E. (Espansione livelli del nero)

Per selezionare il livello del nero delle immagini riprodotte. Impostare i parametri preferiti e capacità del monitor.

On: Scala di grigi estesa. (0 IRE cut off)

Off: Scala di grigi standard. (7.5 IRE cut off)

NOTA

La funzione B.L.E. funziona solo sui sistemi NTSC.

Informazioni aggiuntive

COPYRIGHTS:

La legge vieta la copia, la trasmissione, la riproduzione, la trasmissione via cavo, la riproduzione in pubblico e la vendita di materiale protetto da Copyright senza autorizzazione.

Questo prodotto integra la funzione di protezione dalla copia sviluppata da Macrovision. I segnali di protezione dalla copia sono registrati sui dischi stessi. Quando si registrano e poi si riproducono le immagini di questi dischi, le immagini appaiono disturbate. Questo prodotto integra la tecnologia per la protezione del copyright tutelata da rivendicazioni di metodo di specifici brevetti U.S. e altri diritti di proprietà intellettuale di Macrovision Corporation e altri proprietari di diritti. L'utilizzo di tale tecnologia per la protezione del copyright deve essere autorizzata da Macrovision Corporation, ed è intesa per il solo uso domestico e in altre situazioni di visione limitata, salvo diversa autorizzazione di Macrovision Corporation. È vietata la decodifica, la decompilazione o il disassemblaggio.

Controllo di altri TV con il telecomando

Il livello del suono, la sorgente di ingresso, e il commutatore di accensione, sono controllabili anche nel caso di televisori non di produzione LG.

Se il vostro televisore è incluso nella tabella sotto riportata, impostare il codice costruttore appropriato.

1. Tenendo schiacciato il tasto TV POWER, premere i tasti numerici per selezionare il codice costruttore del vostro TV (vedere la tabella sotto).
2. Rilasciare il tasto TV POWER.

Numeri di Codice dei TV controllabili

Qualora fosse riportato più di un codice numerico, provare a introdurli uno alla volta fino a trovarne uno che funzioni con il vostro apparecchio TV.

Costruttore	Numero di codice
LG / GoldStar	1 (Default), 2
Zenith	1, 3, 4
Samsung	6, 7
Sony	8, 9
Hitachi	4

NOTE

- A seconda del tipo di televisore usato, alcuni, o tutti, i tasti di comando dell'apparecchio TV potrebbero non funzionare, anche introducendo il corretto numero di codice.
- Se si introduce un nuovo numero di codice, il numero di codice introdotto precedentemente viene cancellato.
- Quando si sostituiscono le batterie del telecomando, il numero di codice precedentemente impostato potrebbe essere reinizializzato al valore predefinito. Impostare di nuovo il numero di codice appropriato.

Risoluzione dei problemi

Sintomo	Causa possibile	Soluzione
L'apparecchio non si accende.	<ul style="list-style-type: none"> Il cavo di alimentazione è scollegato. 	<ul style="list-style-type: none"> Inserire il cavo di alimentazione saldamente nella presa a muro.
L'unità è accesa, ma il lettore DVD non funziona.	<ul style="list-style-type: none"> Non c'è nessun disco inserito. 	<ul style="list-style-type: none"> Inserire un disco (controllare che sia acceso l'indicatore del DVD o del CD audio sul display).
Non appare alcuna immagine	<ul style="list-style-type: none"> La TV non è impostata per ricevere l'uscita del segnale del DVD. 	<ul style="list-style-type: none"> Selezionare la modalità di ingresso video appropriata sulla TV.
	<ul style="list-style-type: none"> Il cavo video non è saldamente collegato. 	<ul style="list-style-type: none"> Collegare saldamente il cavo video.
Non si sente alcun suono.	<ul style="list-style-type: none"> L'apparecchio collegato con il cavo audio non è impostato per ricevere l'uscita del segnale del DVD. 	<ul style="list-style-type: none"> Selezionare la modalità di ingresso corretta del ricevitore audio in modo da poter ascoltare l'audio proveniente dal lettore DVD.
	<ul style="list-style-type: none"> L'apparecchio collegato con il cavo audio è spento. 	<ul style="list-style-type: none"> Accendere l'apparecchio collegato con il cavo audio.
	<ul style="list-style-type: none"> Le opzioni AUDIO sono impostate in posizioni non corrette. 	<ul style="list-style-type: none"> Impostare l'uscita audio digitale nella corretta posizione, quindi accendere nuovamente il lettore DVD premendo POWER.
Il lettore DVD non inizia la riproduzione.	<ul style="list-style-type: none"> È stato inserito un disco non riproducibile. 	<ul style="list-style-type: none"> Inserire un disco riproducibile (controllare il tipo di disco, il sistema di colori e il codice regionale).
	<ul style="list-style-type: none"> È stato impostato il livello di classificazione (Rating). 	<ul style="list-style-type: none"> Annullare la funzione di classificazione (Rating) o cambiare il livello della classificazione.
Il telecomando non funziona correttamente.	<ul style="list-style-type: none"> Il telecomando non è puntato verso il sensore situato sul lettore DVD. 	<ul style="list-style-type: none"> Puntare il telecomando verso il sensore sul lettore DVD.
	<ul style="list-style-type: none"> Il telecomando è troppo lontano dal sensore situato sul lettore DVD. 	<ul style="list-style-type: none"> Utilizzare il telecomando vicino al lettore DVD.

Codici di lingua

Utilizzare questo elenco per inserire la lingua desiderata per le seguenti impostazioni iniziali:
Linguaggio Audio, Sottotitoli Disco, Menu Disco

Lingua	Codice	Lingua	Codice	Lingua	Codice	Lingua	Codice
Abkhazian	6566	Figiano	7074	Lingala	7678	Singalese	8373
Afar	6565	Finlandese	7073	Lituano	7684	Slovacco	8375
Africano	6570	Francese	7082	Macedone	7775	Sloveno	8376
Albanese	8381	Frisone	7089	Malgascio	7771	Somalo	8379
Amharico	6577	Galleo	7176	Malese	7783	Spagnolo	6983
Arabo	6582	Georgiano	7565	Malayalam	7776	Sudanese	8385
Armeno	7289	Tedesco	6869	Maltese	7784	Swahili	8387
Assamese	6583	Greco	6976	Maori	7773	Svedese	8386
Aymara	6588	Groenlandese	7576	Marathi	7782	Tagal	8476
Azerbaijani	6590	Guarani	7178	Moldavo	7779	Tajiko	8471
Bashkir	6665	Gujarati	7185	Mongolo	7778	Tamil	8465
Basco	6985	Hausa	7265	Nauruano	7865	Tatar	8484
Bengalese	6678	Ebreo	7387	Nepali	7869	Telugu	8469
Bhutan	6890	Hindi	7273	Norvegese	7879	Thailandese	8472
Bihari	6672	Ungaro	7285	Oriya	7982	Tibetano	6679
Bretone	6682	Islandese	7383	Punjabi	8065	Tigrinya	8473
Bulgaro	6671	Indonesiano	7378	Pashtu	8083	Tongano	8479
Birmano	7789	Interlingua	7365	Persiano	7065	Turco	8482
Bielorusso	6669	Irlandese	7165	Polacco	8076	Turkmeno	8475
Cambogiano	7577	Italiano	7384	Portoghese	8084	Twi	8487
Catalano	6765	Giapponese	7465	Quechua	8185	Ucraino	8575
Cinese	9072	Giavanesi	7487	Retoromanzo	8277	Urdu	8582
Corsico	6779	Kannada	7578	Rumeno	8279	Uzbeko	8590
Croato	7282	Kashmiri	7583	Russo	8285	Vietnamita	8673
Ceco	6783	Kazako	7575	Samoano	8377	Volapük	8679
Danese	6865	Kirghiso	7589	Sanscrito	8365	Gallese	6789
Olandese	7876	Coreano	7579	Scots Gaelic	7168	Wolof	8779
Inglese	6978	Curdo	7585	Serbo	8382	Xhosa	8872
Esperanto	6979	Laotiano	7679	Serbo-Croato	8372	Yiddish	7473
Estone	6984	Latino	7665	Shona	8378	Yoruba	8979
Faroese	7079	Lettone	7686	Sindhi	8368	Zulu	9085

Codici di Area

Selezionare un codice area dall'elenco.

Area	Codice	Area	Codice	Area	Codice	Area	Codice
Afghanistan	AF	Etiopia	ET	Malaysia	MY	Arabia Saudita	SA
Argentina	AR	Fiji	FJ	Maldive	MV	Senegal	SN
Australia	AU	Finlandia	FI	Messico	MX	Singapore	SG
Austria	AT	Francia	FR	Monaco	MC	Repubblica Slovacca	SK
Belgio	BE	Germania	DE	Mongolia	MN	Slovenia	SI
Bhutan	BT	Gran Bretagna	GB	Marocco	MA	Sud Africa	ZA
Bolivia	BO	Grecia	GR	Nepal	NP	Corea del Sud	KR
Brasile	BR	Groenlandia	GL	Paesi Bassi	NL	Spagna	ES
Cambogia	KH	Isole	HM	Antille Paesi Bassi	AN	Sri Lanka	LK
Canada	CA	Hong Kong	HK	Nuova Zelanda	NZ	Svezia	SE
Cile	CL	Ungheria	HU	Nigeria	NG	Svizzera	CH
Cina	CN	India	IN	Norvegia	NO	Taiwan	TW
Colombia	CO	Indonesia	ID	Oman	OM	Thailandia	TH
Congo	CG	Israele	IL	Pakistan	PK	Turchia	TR
Costa Rica	CR	Italia	IT	Panama	PA	Uganda	UG
Croazia	HR	Giamaica	JM	Paraguay	PY	Ucraina	UA
Repubblica Ceca	CZ	Giappone	JP	Filippine	PH	Stati Uniti	US
Danimarca	DK	Kenya	KE	Polonia	PL	Uruguay	UY
Ecuador	EC	Kuwait	KW	Portogallo	PT	Uzbekistan	UZ
Egitto	EG	Libia	LY	Romania	RO	Vietnam	VN
El Salvador	SV	Lussemburgo	LU	Federazione Russa	RU	Zimbabwe	ZW

Specifiche tecniche

Generale

Requisiti di alimentazione: AC 110-240 V , 50/60 Hz

Assorbimento energetico: 8W

Dimensioni (Appross.):

DZ9800: 430 x 35 x 242 mm (lungh. x alt. x prof.) senza piede

DZ9300 / DZ9400: 360 x 35 x 242 mm (lungh. x alt. x prof.) senza piede

Peso (Appross.): DZ9800: 1.9 kg

DZ9300 / DZ9400: 1.7 kg

Temperatura di funzionamento:

5 °C a 35 °C (41 °F a 95 °F)

Umidità di funzionamento: 5 % a 90 %

Uscite

VIDEO OUT:

1 Vp-p 75 Ω, sync negativa, jack RCA x 1/ SCART (TO TV)

AUDIO OUT:

2.0 Vrms (1 KHz, 0 dB), 600 Ω, jack RCA (L, R) x 1/ SCART (TO TV)

Uscita audio digitale (coassiale):

0.5 V (p-p), 75 Ω, RCA jack x 1

Sistema

Laser:

Laser semiconduttore, lunghezze d'onda 650 nm

Sistema segnali: PAL / NTSC

Risposta di frequenza:

DVD (PCM 96 kHz): 8 Hz a 44 kHz

DVD (PCM 48 kHz): 8 Hz a 22 kHz

CD: 8 Hz a 20 kHz

Rapporto segnale/disturbo:

Più di 100 dB (solo connettore ANALOG OUT)

Distorsione armonica: Meno di 0.02%

Gamma dinamica:

Più di 95 dB (DVD/CD)

Accessori

Telecomando (1), Batterie (2)