



LG Electronics Inc.



☎ 1-888-LGCANADA
FOR LG CUSTOMER SERVICE
POUR SERVICE À LA CLIENTÈLE DE LG

**WM1812CW
WM1814CW**

Washing Machine

OWNER'S MANUAL

Please read this manual carefully. It provides instructions on safe installation, use, and maintenance.

Retain it for future reference.

Record the model and serial numbers of your machine.

Quote this information to your dealer if you require service.

Laveuse

GUIDE DU PROPRIÉTAIRE

Lire attentivement ce guide. Il fournit les instructions concernant l'installation sécuritaire, l'utilisation et l'entretien.

Conserver à des fins de références.

Noter les numéros de modèle et de série de l'appareil.

Donner cette information au marchand si un service est requis.

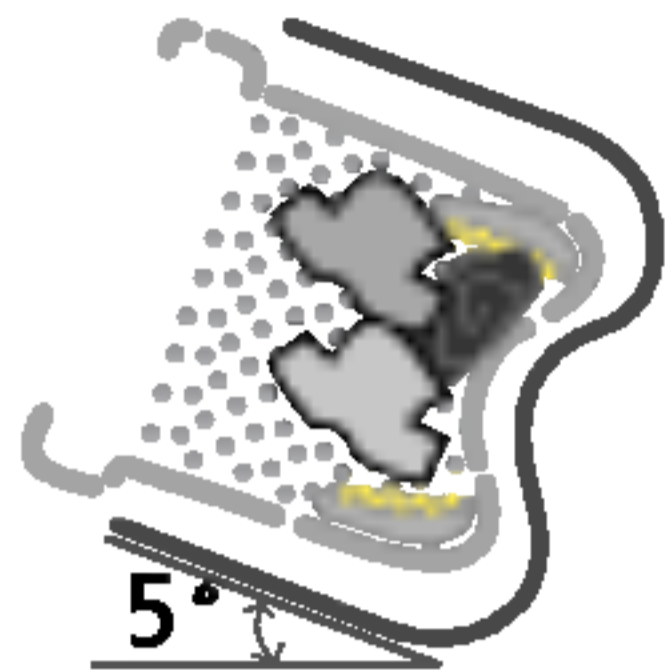
website : <http://www.lg.ca>

e-mail : <http://www.LGService.com/techsup.html>

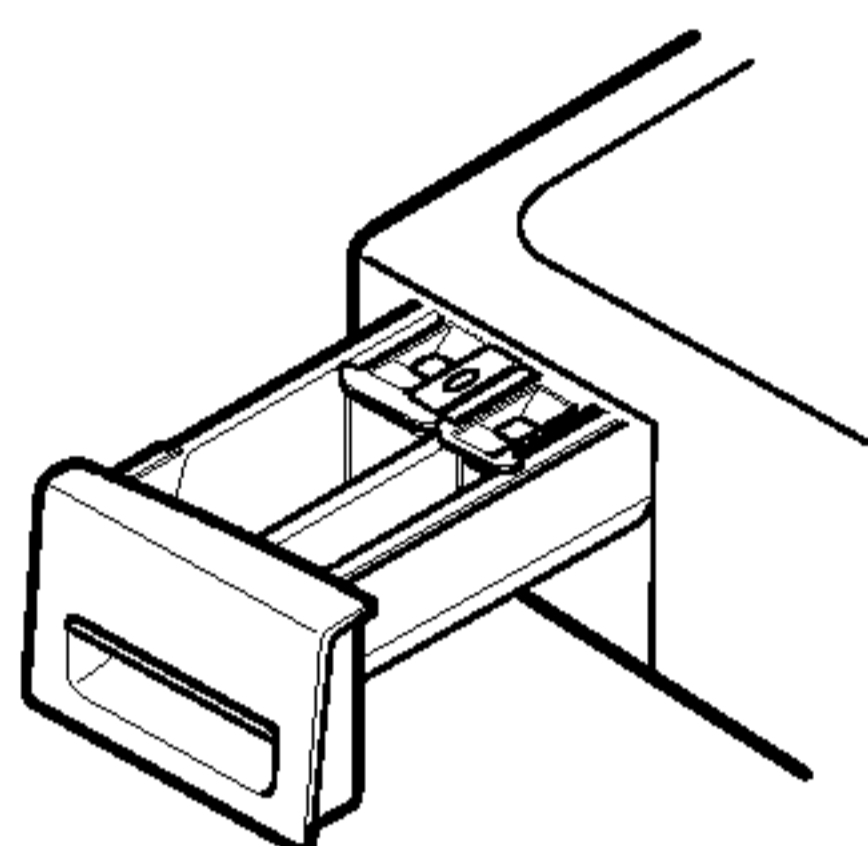
PRODUCT FEATURES



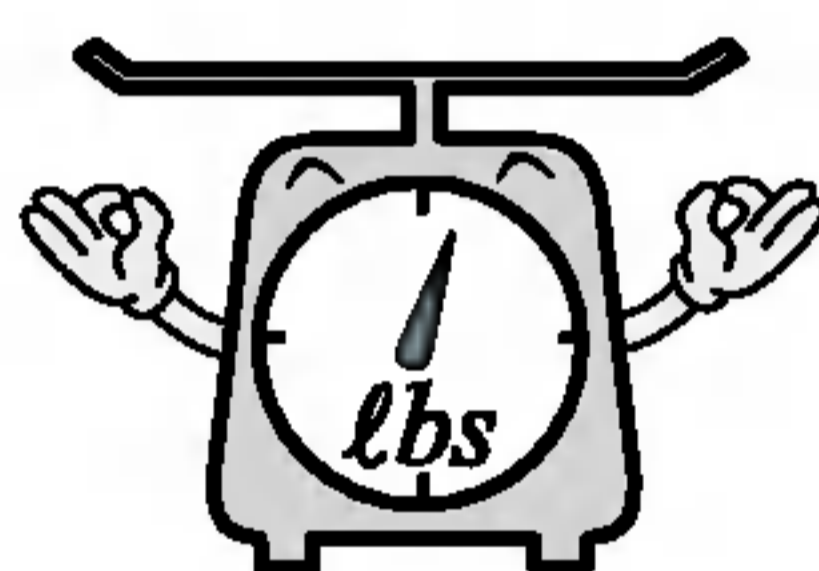
- **Direct Drive System**
The advanced Brushless DC motor directly drives the drum without belt and pulley.



- **Tilted Drum and Large Door Opening**
The tilted drum and large door opening make it possible to easily load and unload clothing.



- **Time-Released Dispenser**
Detergent, fabric softener and bleach are dispensed separately at the right time during wash cycle.



- **Automatic Wash Load Detection**
Automatically detects the load and optimizes the washing time.



- **Child Lock**
The Child lock prevents children from pressing any button to change the settings during operation.

CONTENTS

Important Safety Information	3
Specifications.....	4
Installation Instructions	5
Preparation Before Washing.....	10
Using the Dispenser	11
Cycles	13
How to Use the Washer.....	14
Maintenance	16
Troubleshooting Guide	19
Warranty	22

IMPORTANT SAFETY INFORMATION

READ ALL INSTRUCTIONS BEFORE USE

⚠ WARNING!

For your safety, the information in this manual must be followed to minimize the risk of fire or explosion, electric shock, or to prevent property damage, personal injury, or loss of life.

IMPORTANT SAFETY INSTRUCTIONS

⚠ WARNING: To reduce the risk of fire, electric shock, or injury to persons when using the washer, follow basic precautions, including the following:

- *Read all instructions before using the washer.*
- *Do not wash articles that have been previously cleaned in, washed in, soaked in, or spotted with gasoline, dry cleaning solvents, or other flammable or explosive substances, as they give off vapors that could ignite or explode.*
- *Do not add gasoline, dry cleaning solvents, or other flammable or explosive substances to the wash water. These substances give off vapors that could ignite or explode.*
- *Under certain conditions, hydrogen gas may be produced in a hot water system that has not been used for 2 weeks or more. HYDROGEN GAS IS EXPLOSIVE. If the hot water system has not been used for such a period, before using the washing machine, turn on all hot water faucets and let the water flow from each for several minutes. This will release any accumulated hydrogen gas. As the gas is flammable, do not smoke or use an open flame during this time.*
- *Do not allow children to play on or in the washer. Close supervision of children is necessary when the washer is used near children.*
- *Before the washer is removed from service or discarded, remove the door to prevent children from hiding inside.*
- *Do not install or store the washer where it will be exposed to the weather.*
- *Do not tamper with controls.*
- *Do not repair or replace any part of the washer or attempt any servicing unless specifically recommended in the user-maintenance instructions or published user-repair instructions that you understand and have the skills to carry out.*
- *See Installation Instructions for grounding requirements.*
- *ALWAYS follow the fabric care instructions supplied by the garment manufacturer.*
- *Do not place items exposed to cooking oil in your washer. Items contaminated with cooking oils may contribute to a chemical reaction that could cause a load to catch fire.*
- *Do not use fabric softeners or products to eliminate static unless recommended by the manufacturer of the fabric softener or product.*

SAVE THESE INSTRUCTIONS

GROUNDING INSTRUCTIONS

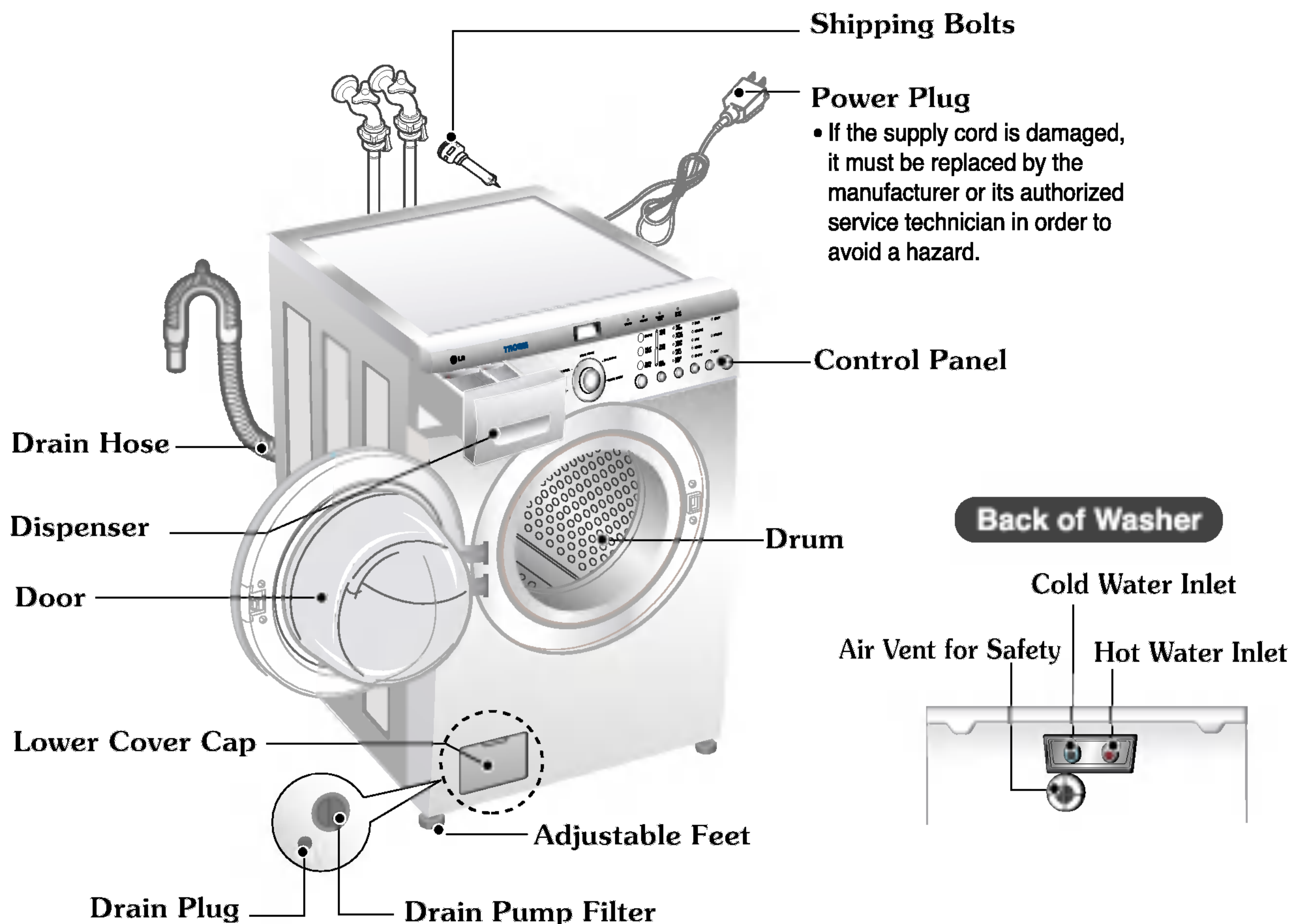
This appliance must be grounded. In the event of malfunction or breakdown, grounding will reduce the risk of electric shock by providing a path of least resistance for electric current. This appliance is equipped with a cord having an equipment-grounding conductor and grounding plug. The plug must be plugged into an appropriate outlet that is properly installed and grounded in accordance with all local codes and ordinances.

- *Do not use an adapter or extension cord.*
- *Do not remove ground prong.*
- *If you don't have the proper outlet, consult an electrician.*

⚠ WARNING: Improper connection of the equipment-grounding conductor can result in risk of electric shock.

Check with a qualified electrician or serviceman if you are in doubt as to whether the appliance is properly grounded. Do not modify the plug provided with the appliance - if it does not fit the outlet, have a proper outlet installed by a qualified electrician.

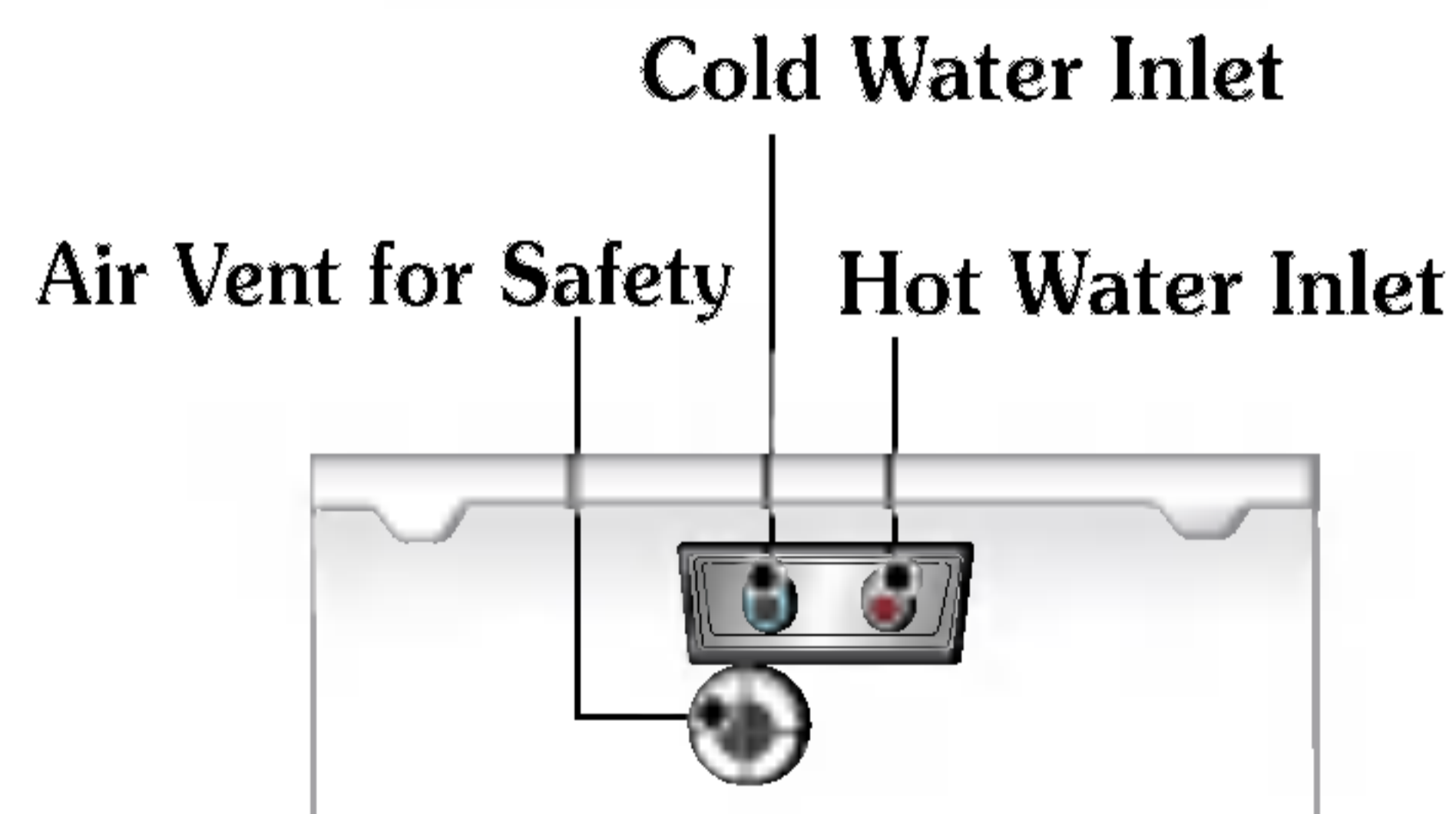
SPECIFICATIONS



Power Plug

- If the supply cord is damaged, it must be replaced by the manufacturer or its authorized service technician in order to avoid a hazard.

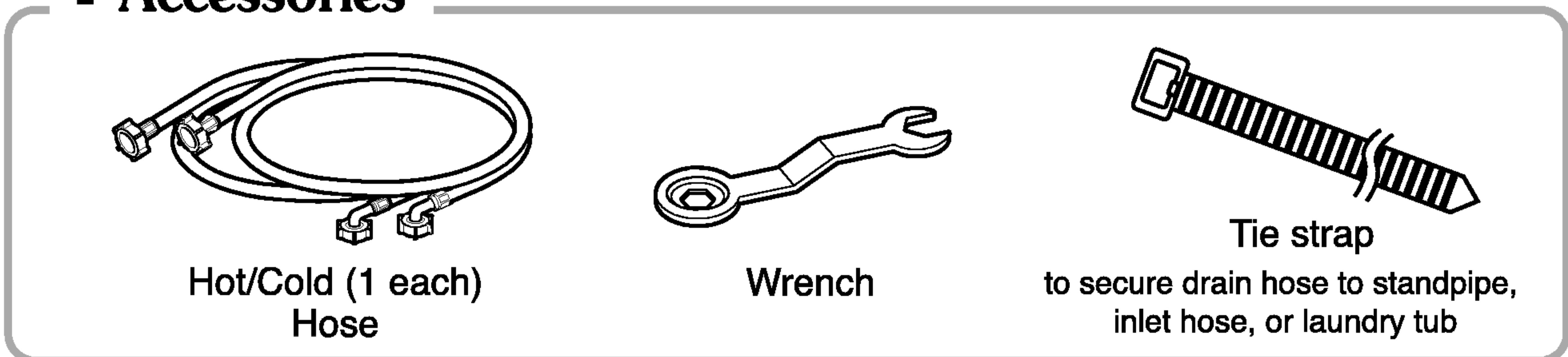
Back of Washer



- Name: Front-loading Washing Machine
- Power supply: 120V~ 60Hz
- Size: 68.6 cm (W) X 76.3 cm (D) X 98.3 cm (H), 129.1 cm (D, door open)
27"(W) X 30¹/₃₂"(D) X 38¹¹/₁₆"(H), 50¹³/₁₆"(D, door open)
- Weight: 173 lbs. (78.5 kg)
- Wash capacity: 2.96 cu. ft. (IEC: 3.42 cu. ft.)¹⁾
- Spin speed: 900 rpm max.
- Permissible water pressure: 4.5 ~ 116 PSI (30 ~ 800 kPa)

* Specifications subject to change by manufacturer.

Accessories



1) Per IEC 60456, washes the equivalent of a 3.42 cu. ft. agitator washer.

INSTALLATION INSTRUCTIONS

Install or store unit where it will not be exposed to temperatures below freezing or exposed to outside weather conditions.

Properly ground washer to conform with all governing codes and ordinances.

To reduce the risk of electric shock, do not install the washer in humid spaces.

The base opening must not be obstructed by carpeting when the washing machine is installed on a carpeted floor.

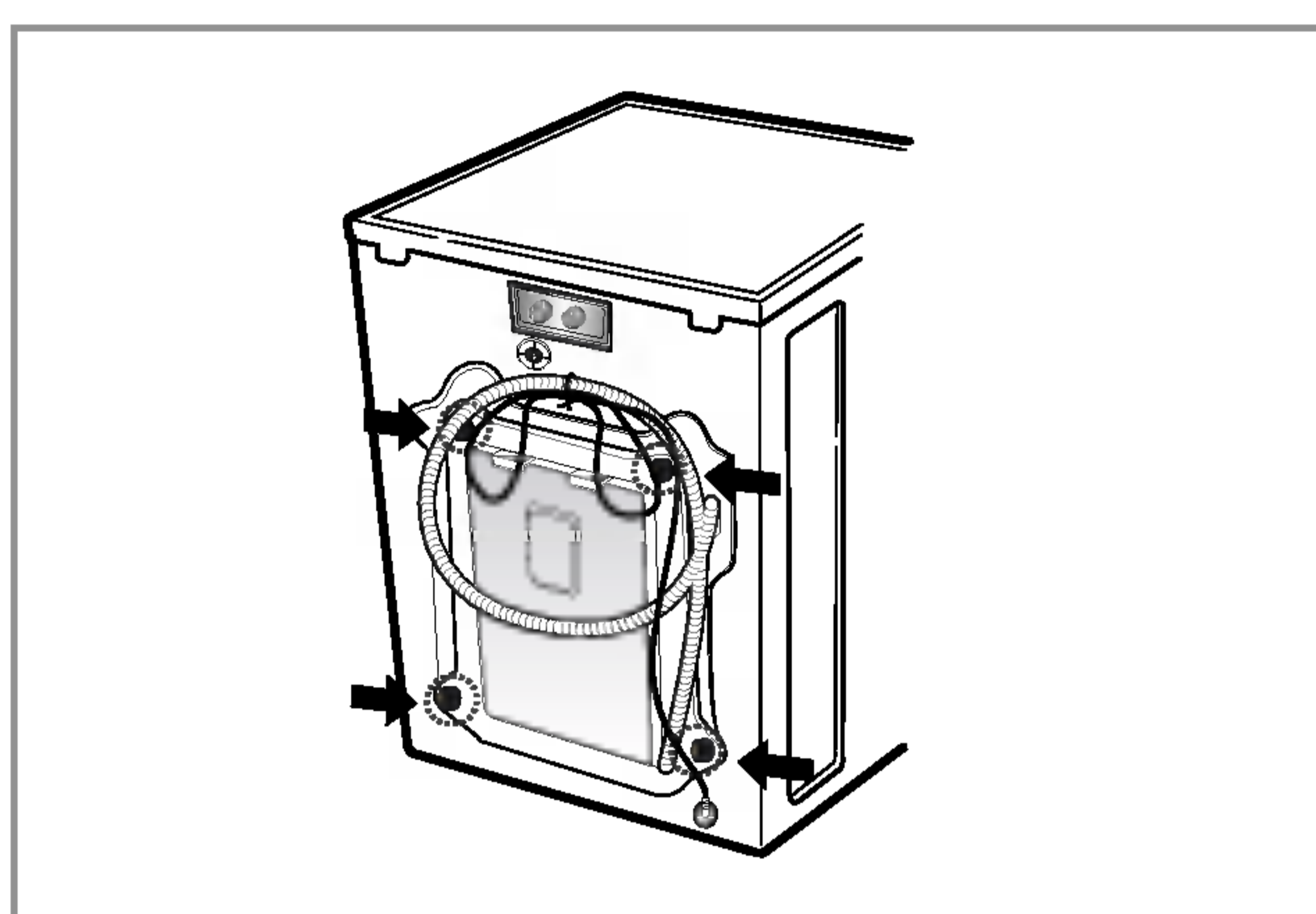
In countries where there are areas which may be subject to infestation by cockroaches or other vermin, pay particular attention to keeping the appliance and its surroundings in clean condition at all times.

Damage caused by cockroaches or other vermin will not be covered by the appliance warranty.

■ Shipping bolts

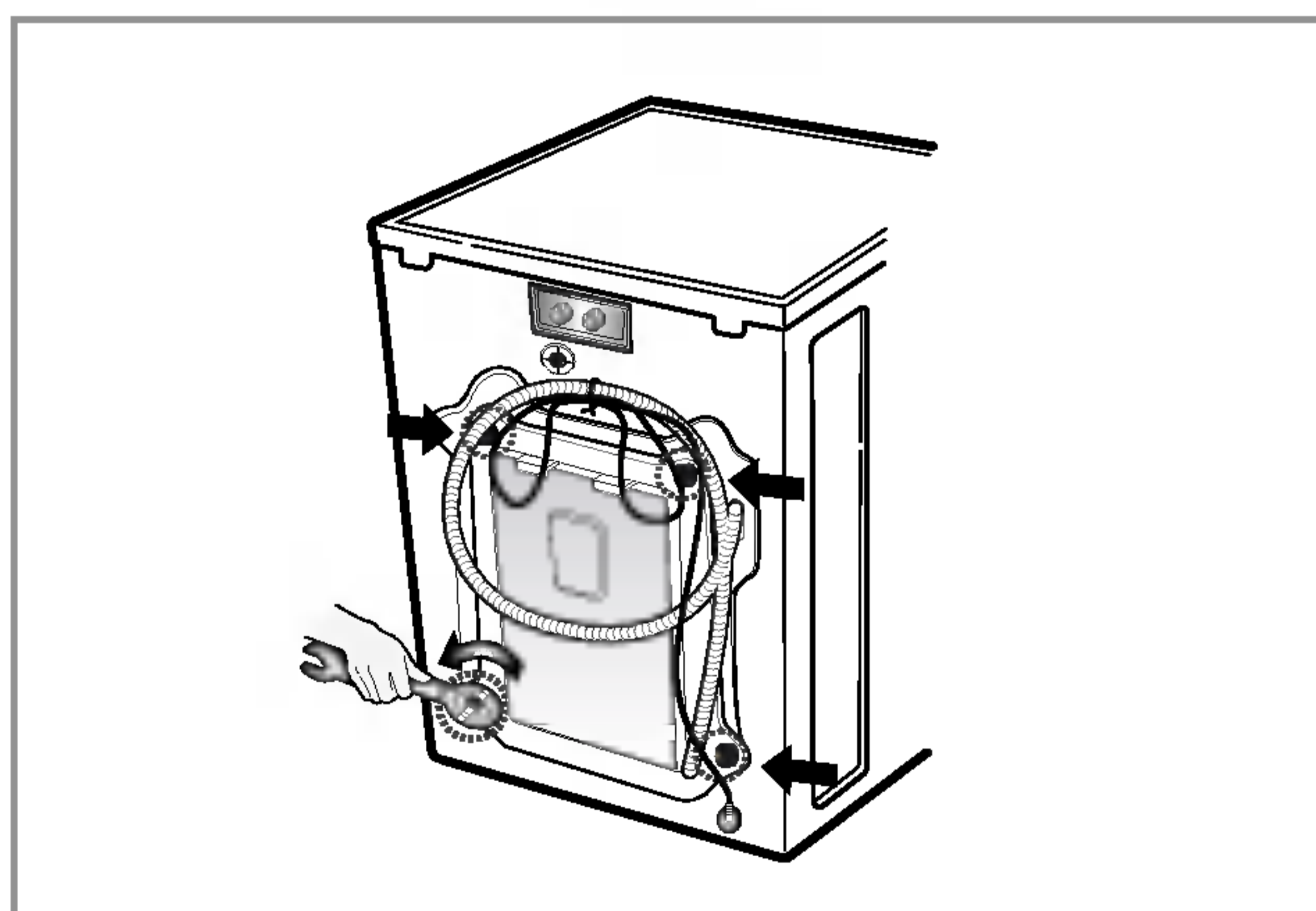
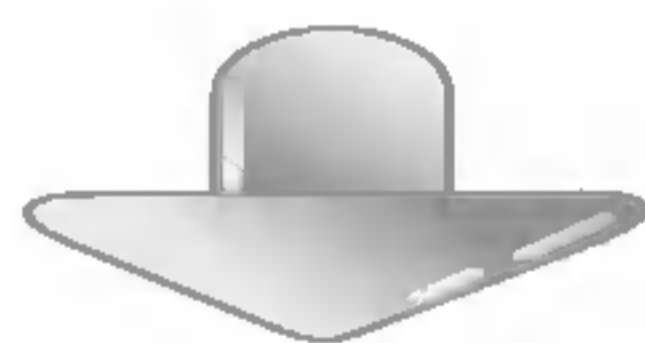
The appliance is fitted with shipping bolts to prevent internal damage during transport.

■ Removing shipping bolts

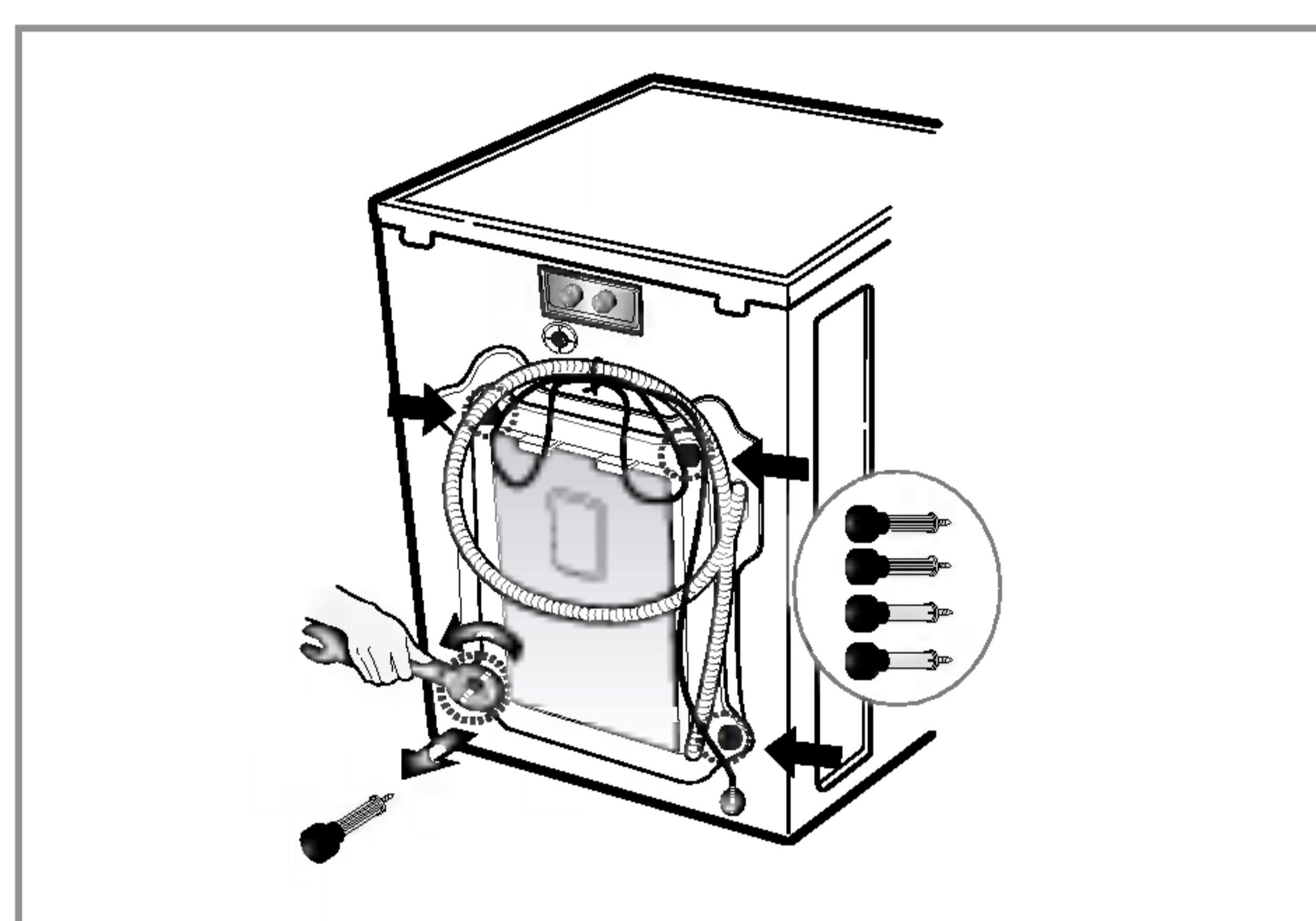


1. To prevent internal damage during transport, 4 locking bolts are installed. Before operating the washer, remove the bolts.

- If they are not removed, it may cause severe vibration, noise, and malfunction.

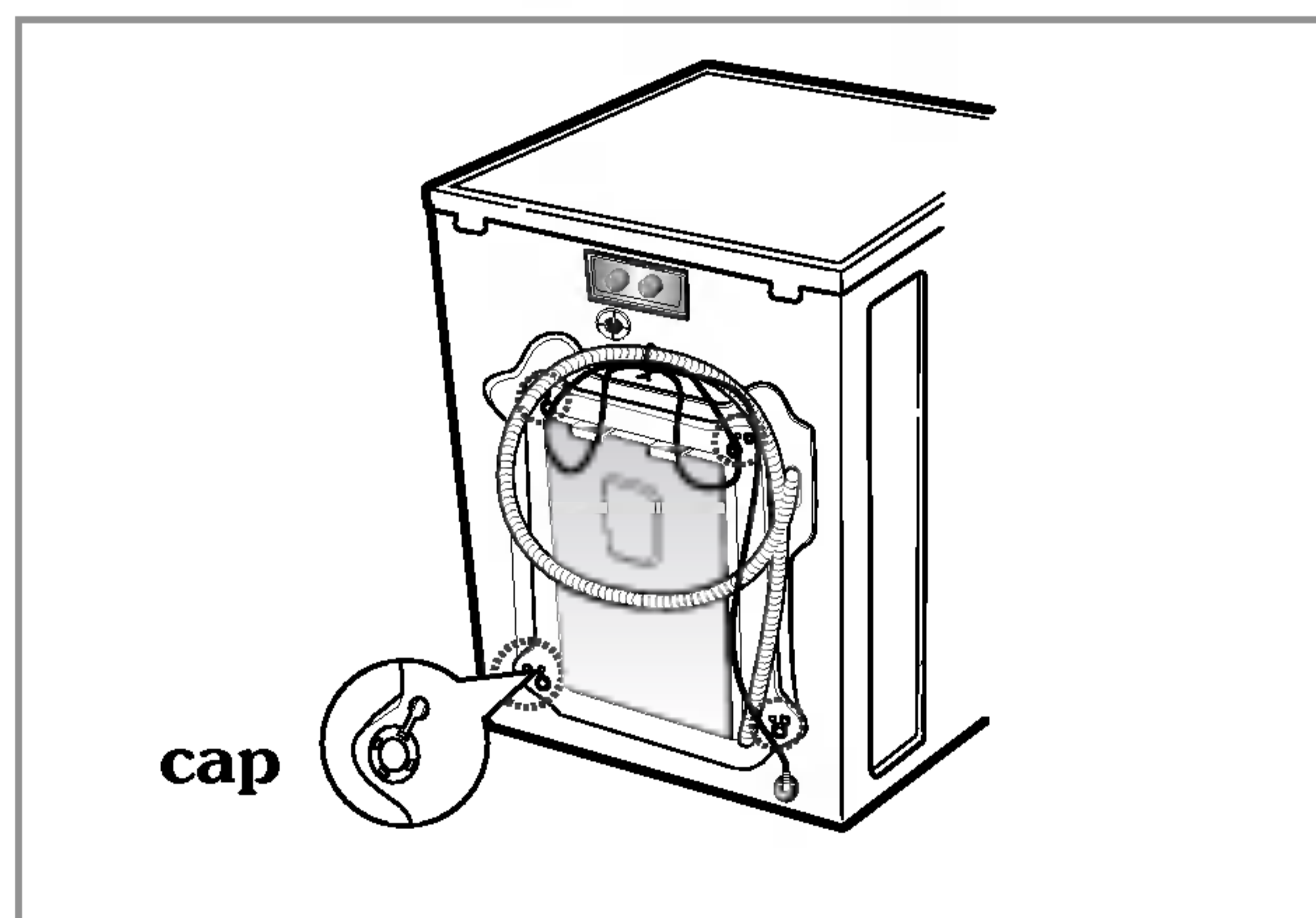
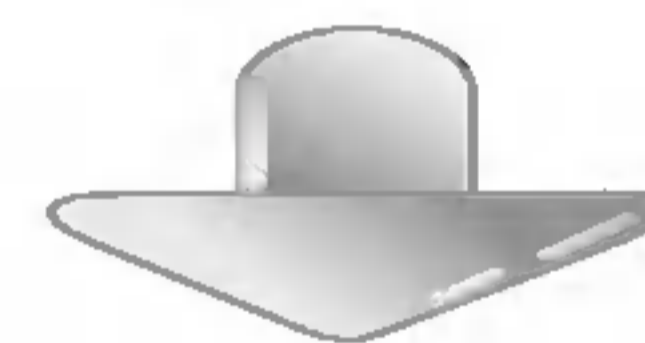


2. Unscrew the 4 bolts with the wrench supplied.



3. Take out the 4 bolts by twisting the braces slightly. Keep the 4 bolts and the wrench for future use.

- Whenever the appliance is transported, the shipping bolts must be replaced.



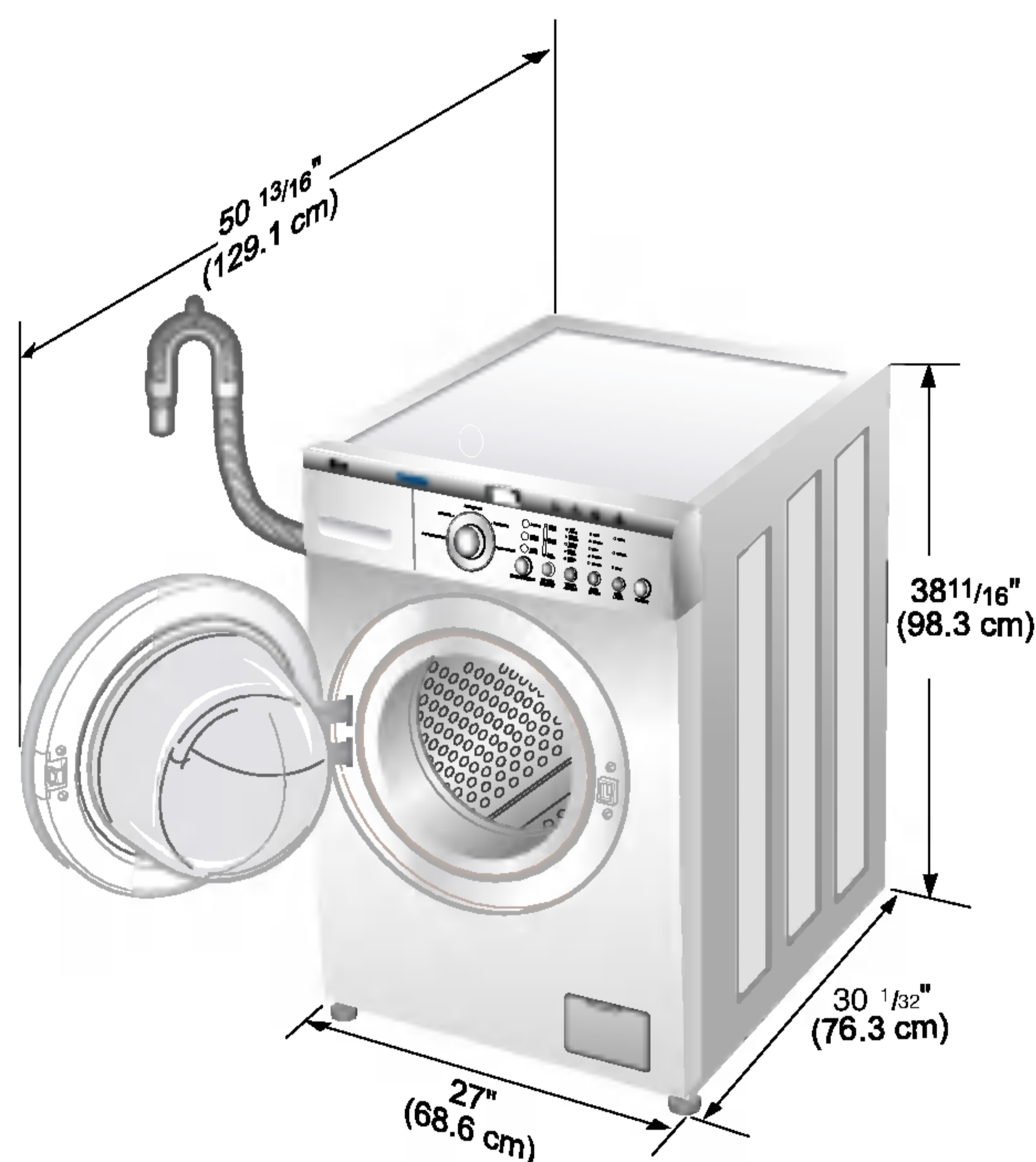
4. Close the holes with the caps supplied.

INSTALLATION INSTRUCTIONS

■ Installation clearances

The location must be large enough to fully open the washer door.

■ Washer dimensions



- Most installations require a minimum 4 in. (10 cm) clearance behind the washer.

■ Minimum installation spacing for recessed area installation.

The following dimensions shown are for the minimum spacing allowed.

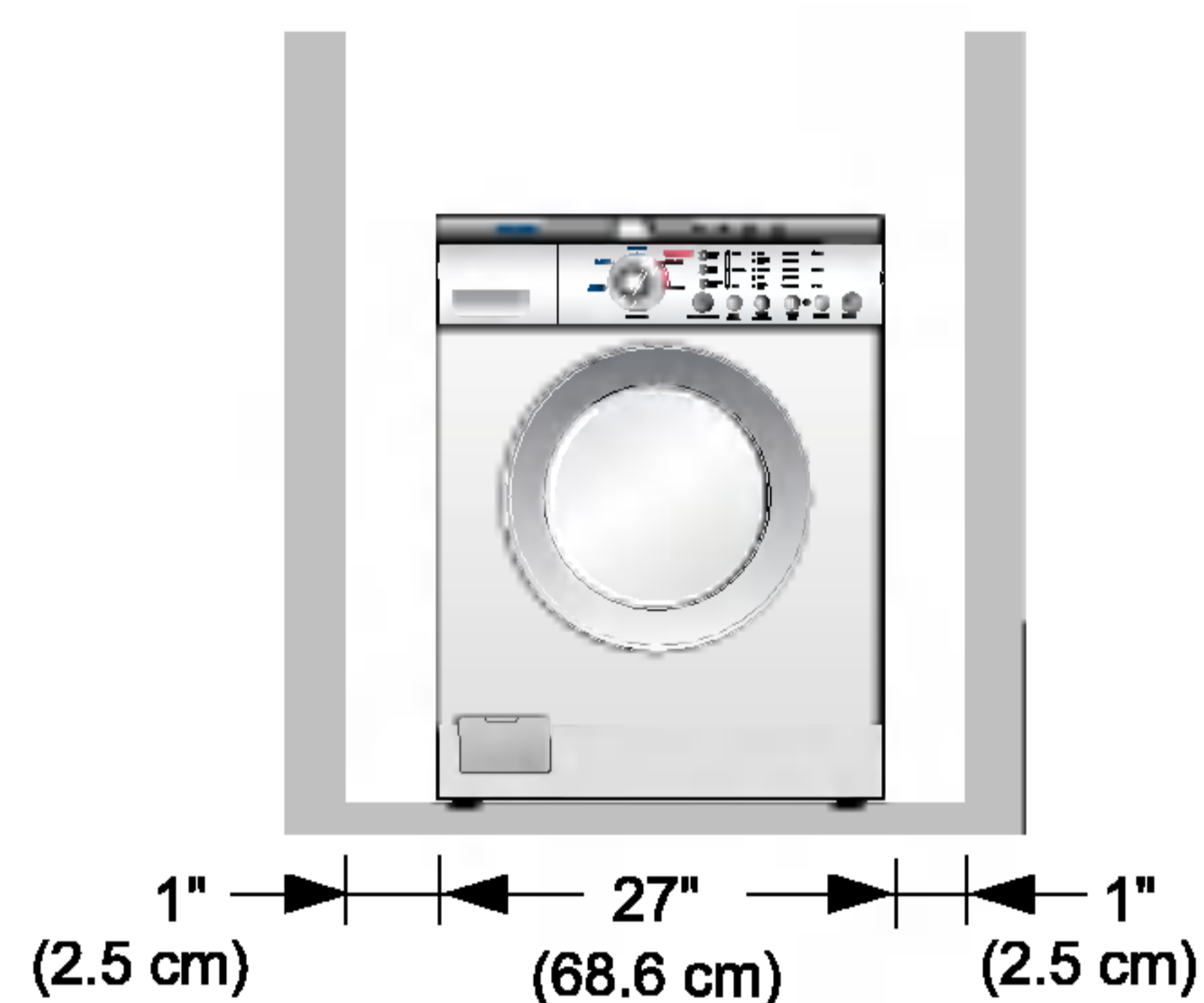
Additional spacing should be considered for installation and servicing.

- Additional clearances might be required for wall, door and floor moldings.
- Additional spacing of 1 in. (2.5 cm) on all sides of the washer is recommended to reduce noise transfer.

Companion appliance spacing should also be considered.



[Side view]



[Front view]

■ Level floor

- Allowable slope under entire washer is 1°.
- **To minimize noise and vibration, the washer MUST be installed on a solidly constructed floor.**
- Carpeting and soft tile surfaces are not recommended.
- Never install the washer on a platform or weakly supported structure.

NOTE: A firm, solid floor is even more critical to a front-loading washer than to a top-loader. If your floor is wood and/or frame construction, you may need to reinforce it. Front-loaders use substantially faster spin speeds than top-loaders, causing greater vibration. If the floor is not solid, your washer will vibrate. You will hear and feel the vibration throughout your house.

■ Power outlet

- Must be within 60 in. (1.5 m) of either side of the washer. Do not overload the outlet with more than one appliance.
- Time-delay fuse or circuit breaker is recommended.

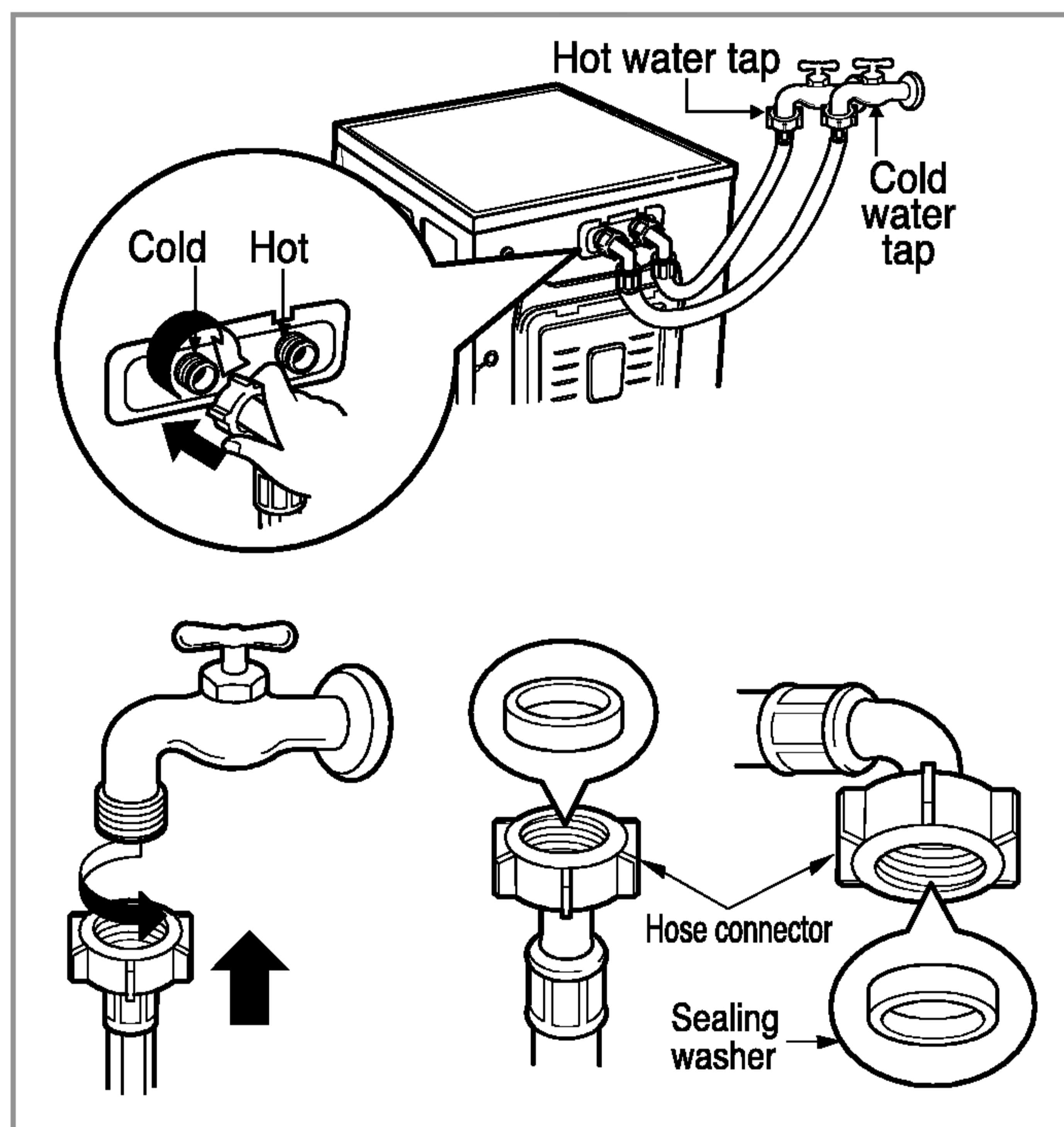
NOTE: It is the personal responsibility and obligation of the customer to have a proper outlet installed by a qualified electrician.

INSTALLATION INSTRUCTIONS

■ Electrical connection

- Do not use an extension cord or double adapter.
- If the supply cord is damaged, it must be replaced by a qualified person in order to avoid a hazard.
- If the machine will not be used for an extended time, unplug it and shut off the water supply.
- Connect the machine to a grounded outlet in accordance with current wiring regulations.
- The appliance must be positioned so that the plug is easily accessible.

■ Connecting water supply hose



- Water supply pressure must be between 4.5 and 116 PSI (30 ~ 800 kPa).
- Do not crossthread when connecting inlet hose to the valve.
- If the water supply pressure is more than 116 PSI, a pressure reducing device should be installed.
- Two Sealing washers are supplied with the water inlet hoses to prevent water leaks.
- Check for leakage of washing machine connections by turning the tap completely on.
- Periodically check the condition of the hose and replace the hose if necessary.
- Make sure that there is no kink in the hose and that it is not crushed.
- Be sure that the two water input ports are connected to the correct water faucets. The connector for hot water is colored red.

NOTE: Washing Machine is to be connected to the water mains using new hoses. Old hoses should not be used.

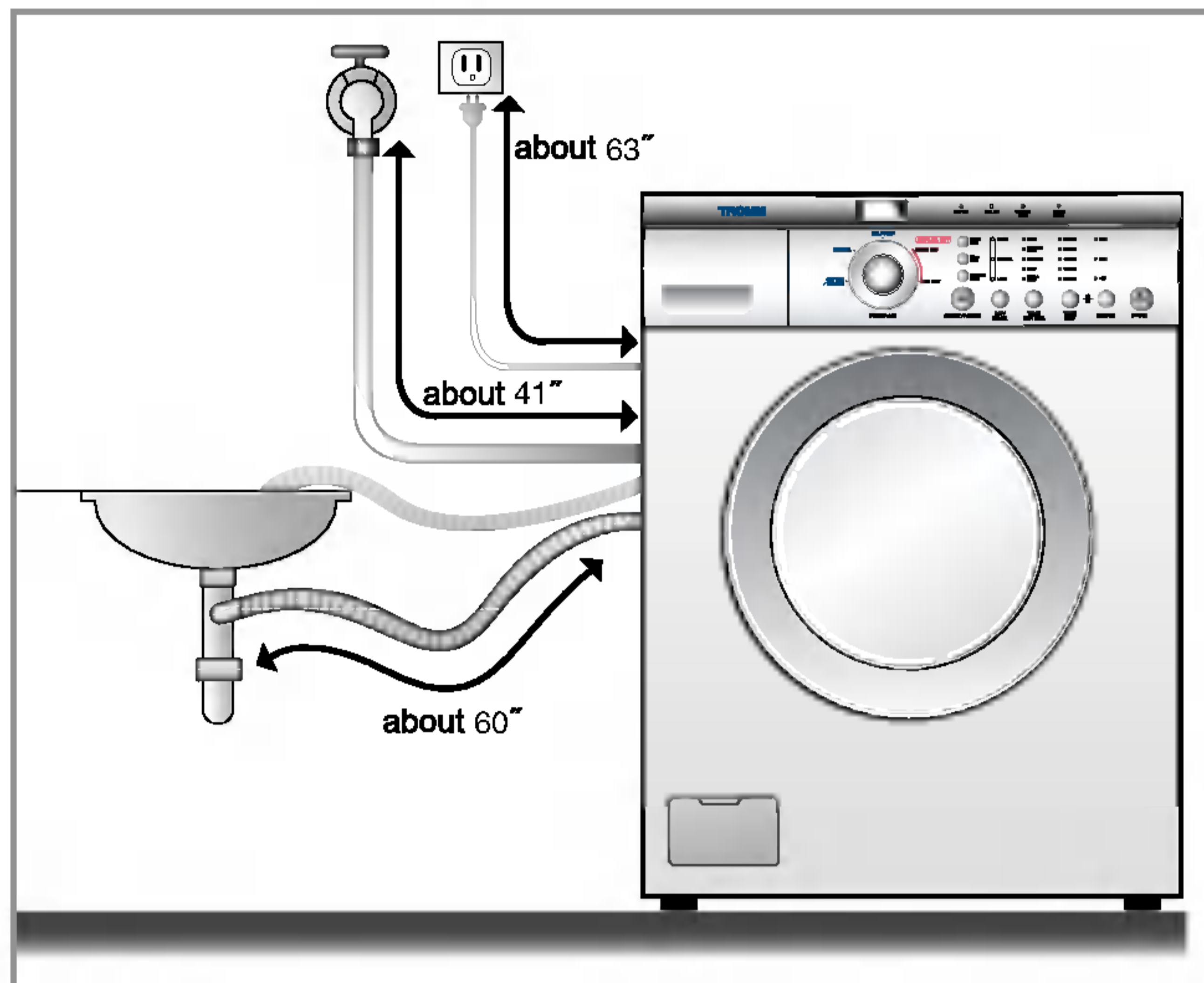
Repairs to the washing machine must only be carried out by qualified personnel. Repairs carried out by inexperienced persons may cause injury or serious malfunctioning. Contact your local service center.

Do not install your washing machine in a room where temperatures below freezing may occur. Frozen hoses may burst under pressure. The reliability of the electronic control unit may be impaired at temperatures below the freezing point.

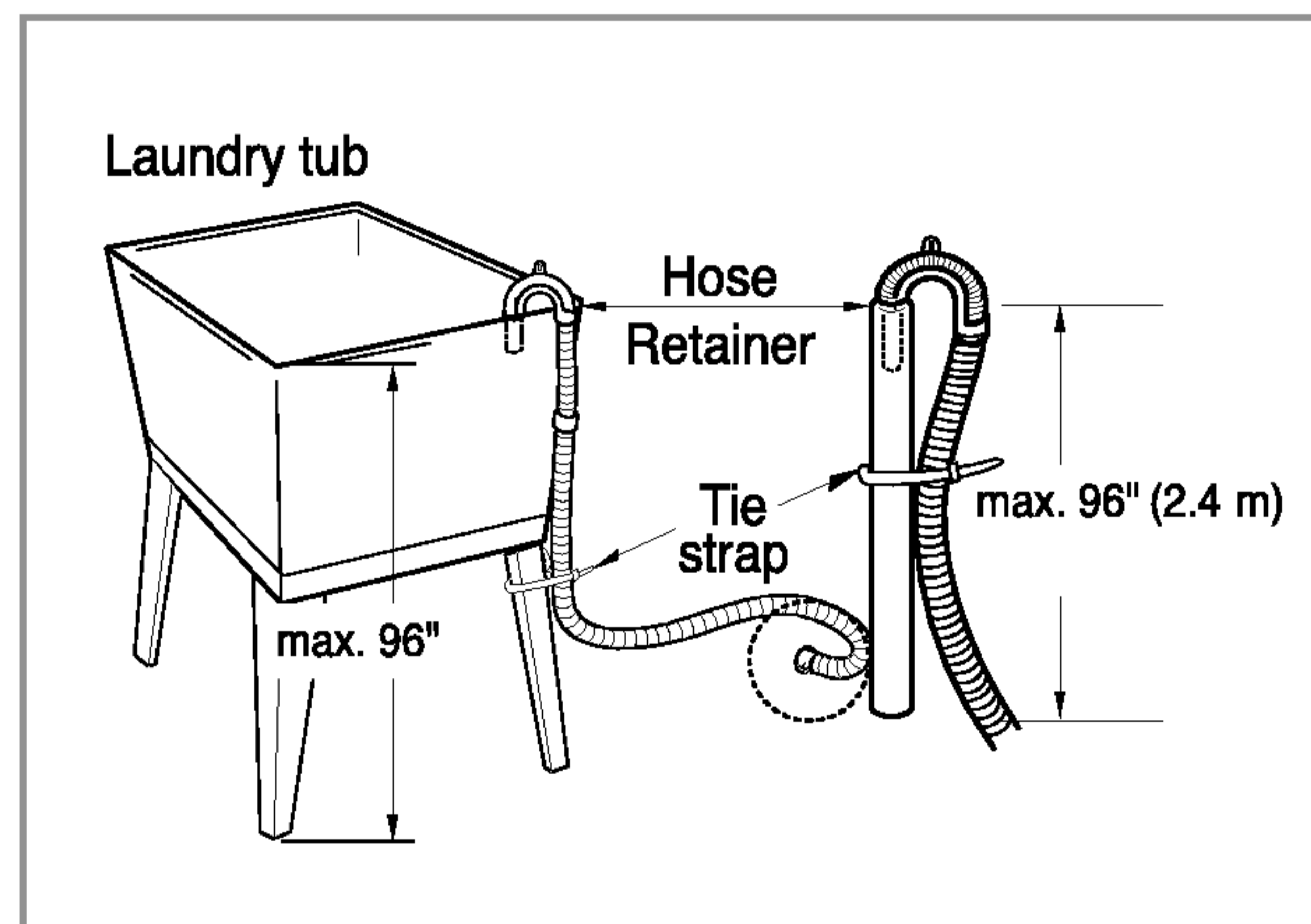
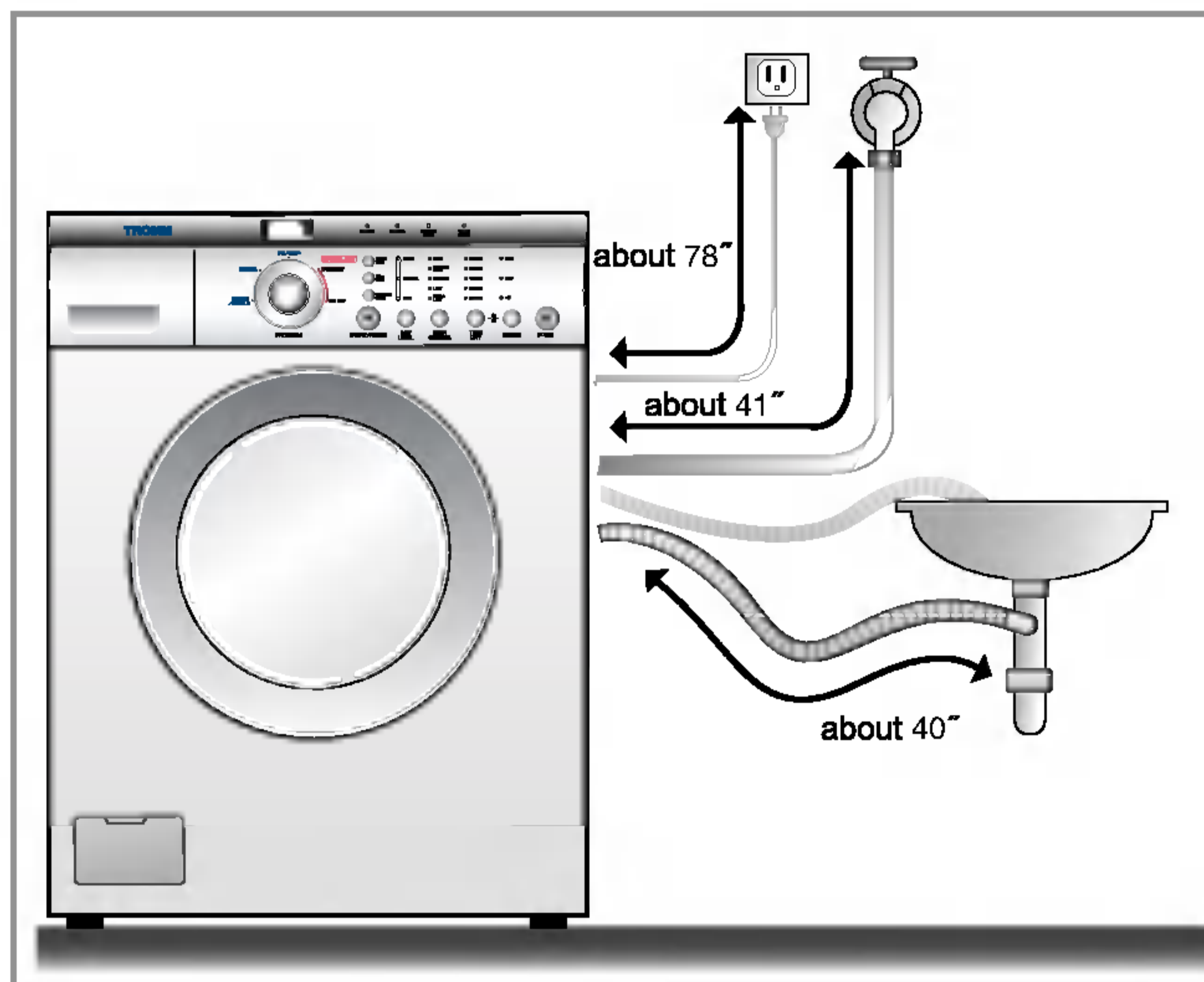
If the appliance is delivered in the winter months and temperatures are below freezing, store the washing machine at room temperature for a few hours before putting it into operation.

INSTALLATION INSTRUCTIONS

■ Installation of drain hose



- Place the end of the drain hose in the hole of the floor drain system.



- The drain hose should not be placed higher than 96 in. from the bottom of the washer.
- Properly securing the drain hose will protect the floor from damage due to water leakage.

- When installing the drain hose at a sink, secure it so it cannot break away and cause flooding and damage.
- Properly securing the drain hose will protect the floor from damage due to water leakage.

This equipment is not designed for maritime use or for mobile installations such as in RV's, aircraft, etc.

Turn off the faucet if the machine is to be left for an extended period of time (e.g. holiday).

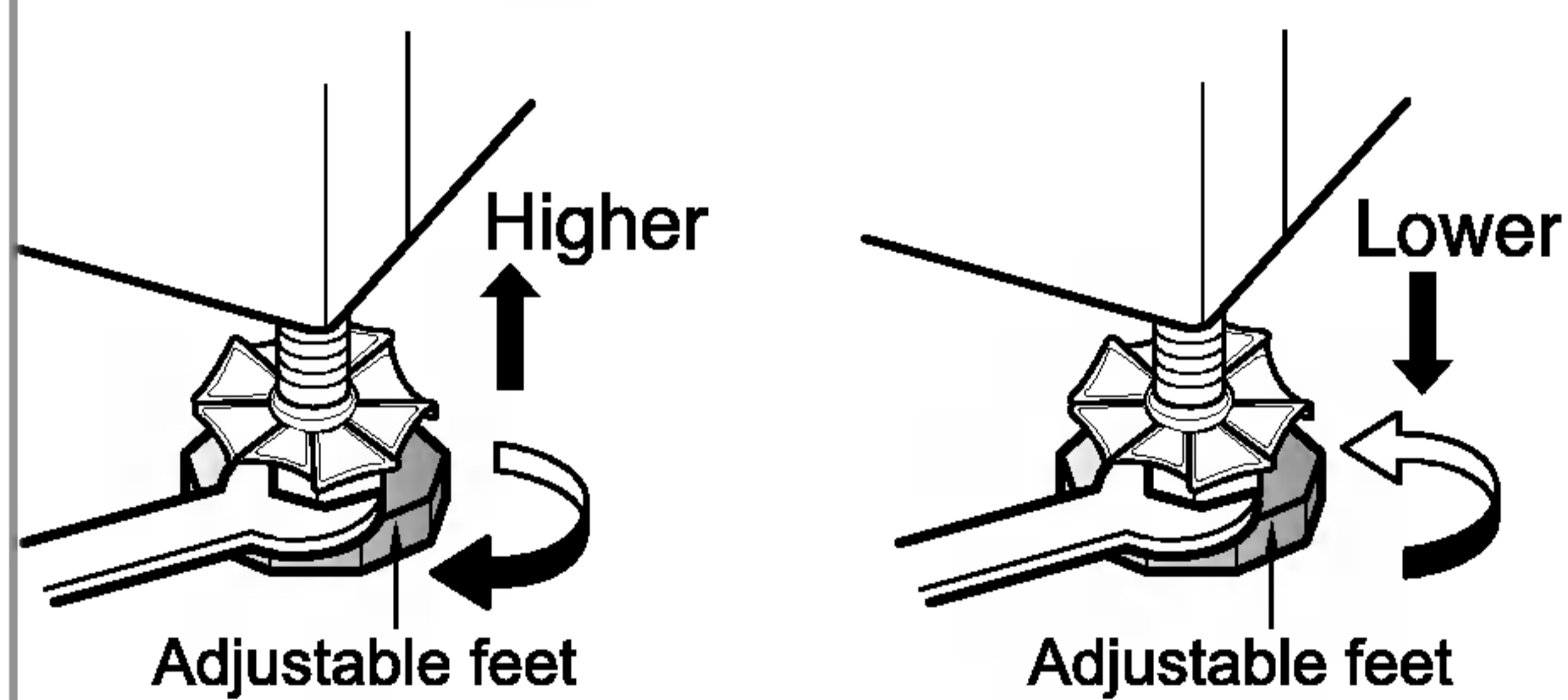
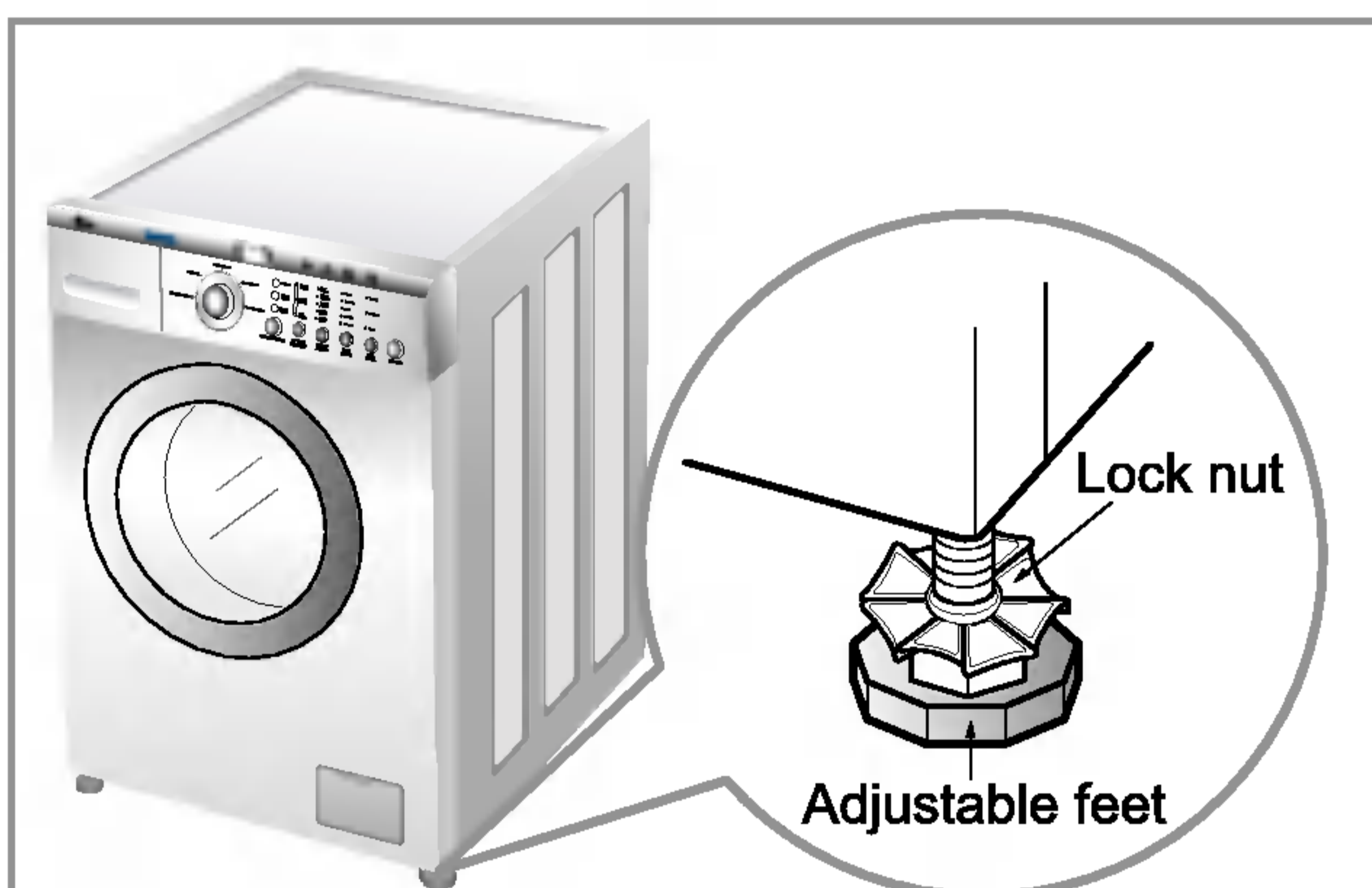
When disposing of the appliance, cut off the power cable, and destroy the plug.

Disable the door lock to prevent young children being trapped inside.

Packaging material (e.g. Films, Styrofoam) can be dangerous for children. There is a risk of suffocation! Keep all packaging from children.

INSTALLATION INSTRUCTIONS

■ Level adjustment



- Leveling the washing machine properly prevents excessive noise and vibration. Install the appliance on a solid and level floor surface, preferably in a corner of the room.

- If the floor is uneven, adjust the adjustable feet as required. (Do not insert pieces of wood, etc. under the feet.)

NOTE: Extend the feet no more than necessary to level the washer. The more the feet are extended, the more the washer will vibrate.

- Make sure that all four feet are stable and resting on the floor and then check that the appliance is perfectly level (Use a level).

- After the washer is level, tighten the lock nuts up against of the base of the washer. All lock nuts must be tightened.

- It is critical to adjust the feet perfectly. This must be done while the washer is spinning with a load. Use the wrench (supplied) to adjust the feet until there is no vibration. Then tighten the lock nuts to prevent further adjustment.

NOTE: If there are vibration and noise during the spin cycle, re-check the leveling of the washer, adjust the feet as required, and tighten the lock nuts securely to prevent changes in adjustment.

Run the washer with a test load to make certain your washer is properly leveled. Put approximately 6 pounds of laundry in the machine. Then, press POWER, RINSE+SPIN, and START/PAUSE, in that order. When the machine spins at high speed, verify that it is stable. If not, adjust the feet accordingly.

* Diagonal Check

When pushing down the edges of the washing machine top plate diagonally, the machine should not move up and down at all. (Please, check both directions.)

If the machine rocks when pushing the machine top plate diagonally, adjust the feet again.

PREPARATION BEFORE WASHING

WARNING

To reduce the risk of fire, electric shock, or injury to persons, read the **IMPORTANT SAFETY INSTRUCTIONS** before operating this appliance.

1. Fabric Care Labels

Look for a care label on your clothes. This will tell you about the fabric content of your garment and how it should be washed.

2. Sorting

To get the best results, sort clothes into loads that can be washed with the same wash cycle. Different fabrics need to be washed in different ways.

Always sort dark colors from pale colors and whites. Wash separately as dye and lint transfer can occur causing discoloration of white clothing. If possible, do not wash heavily soiled items with lightly soiled ones.

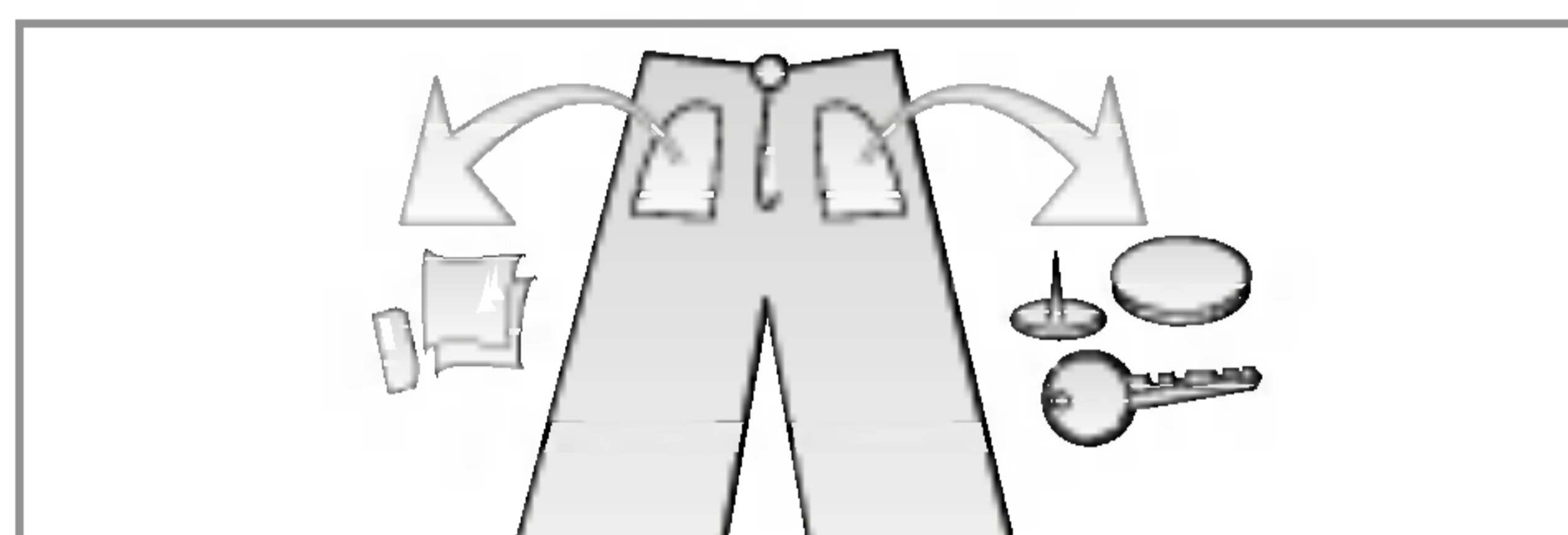
Soil (Heavy, Normal, Light)	Separate clothes according to amount of soil.
Color (White, Lights, Dark)	Separate white fabrics from colored fabrics.
Lint (Lint Producers, Collectors)	Wash lint producers and lint collectors separately.

3. Check before loading

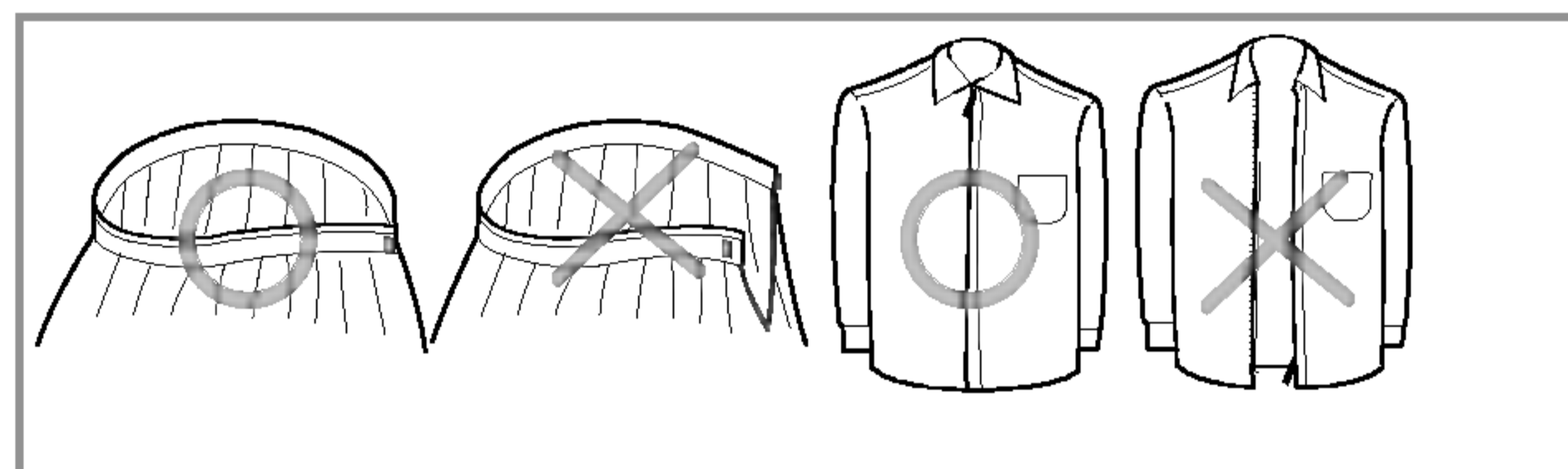
Combine large and small items in a load. Load large items first.

Large items should not be more than half the total wash load.

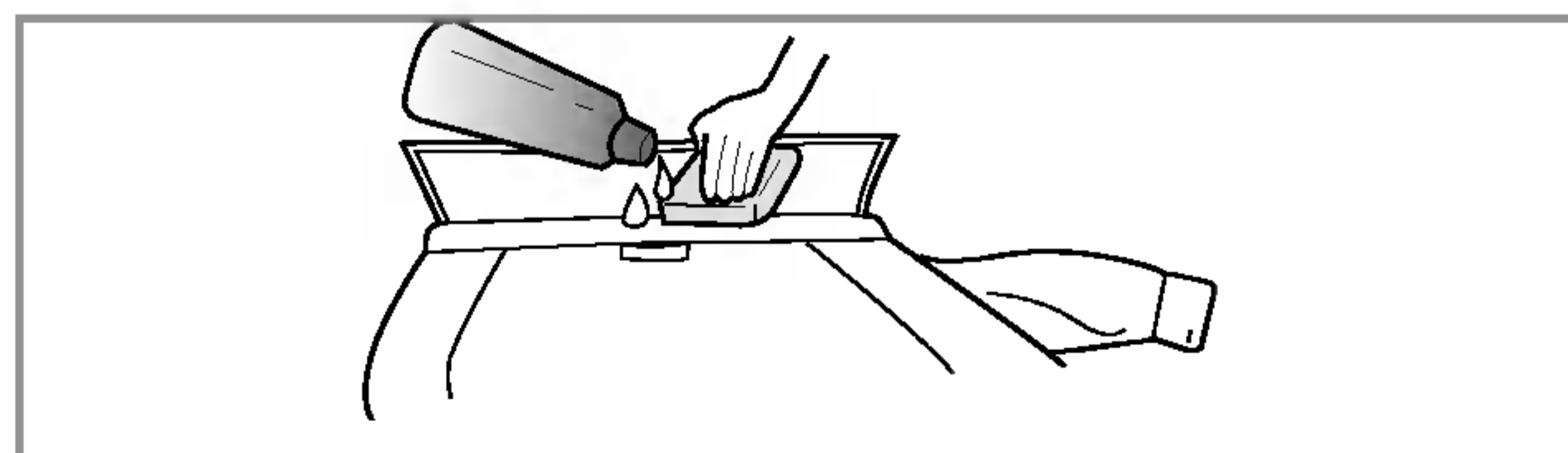
Do not wash single items. This may cause an out-of-balance load. Add one or two similar items.



- Check all pockets to make sure that they are empty. Items such as clips, matches, pens, coins, and keys can damage both your washer and your clothing.



- Close zippers, hooks, and strings to make sure that these items do not snag on other clothes.



- Pretreat dirt and stains by brushing a little detergent dissolved in water onto stains like collars and cuffs to help lift dirt.

NOTE: Do not wash or spin water-proof clothes.

USING THE DISPENSER

The automatic dispenser consists of four compartments which hold 1) liquid chlorine bleach, 2) liquid fabric softener, 3) liquid or powdered detergent for prewash and 4) liquid or powdered detergent and color safe bleach for main wash.

All laundry products can be added at once in their respective dispenser compartments.

They will be dispensed at the appropriate time for most effective cleaning. After loading the laundry additives into the dispenser, close the dispenser drawer.

Add detergent, bleach and fabric softener to the automatic dispenser following these steps:

1. Open the dispenser drawer.
2. Load the laundry products into the appropriate compartments.
3. Close the dispenser drawer.

■ About detergent



Designed specially to use only HE(High Efficiency) detergent

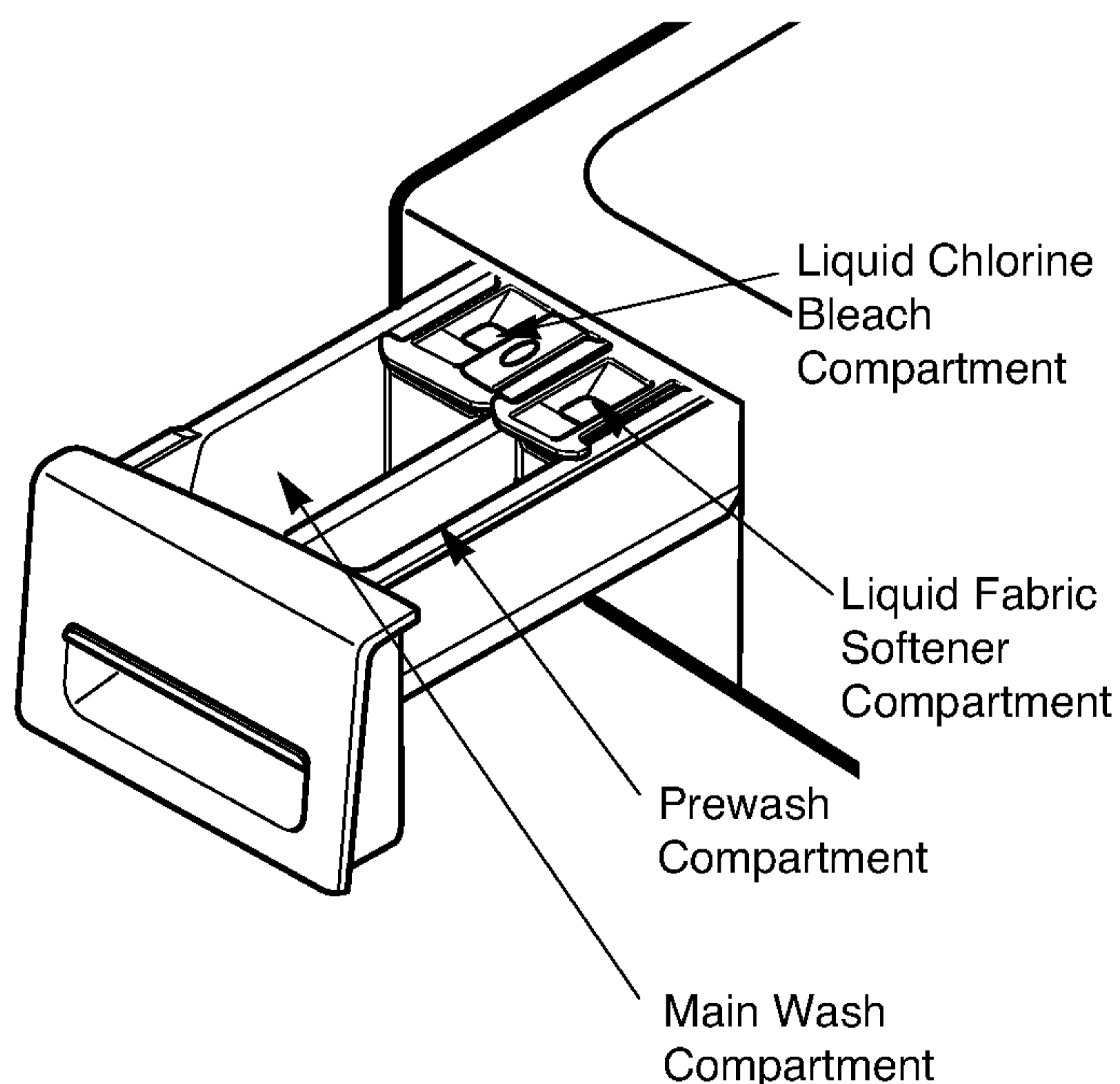
Your LG TROMM washer is designed to use only High Efficiency (HE) detergents.

HE detergents are formulated specifically for front load washers and contain suds reducing components. HE detergents make less suds, improve washing and rinsing performance, and help to keep the interior of your LG TROMM washer clean.

If a regular detergent is used, it may cause oversudsing and unsatisfactory performance.

For the best washing and rinsing performance, low-sudsing HE detergents are strongly recommended.

NOTE : Liquid detergent will drain into the washer drum as it is added.



1. Prewash Detergent Compartment

- Add detergent to this compartment when using the Prewash option. Liquid or powdered detergent may be used in this compartment. The detergent will automatically be dispensed during Prewash if the Prewash option is selected.
- Add 1/2 the recommended amount of detergent to the Prewash compartment and the recommended amount of detergent to the main wash compartment.

USING THE DISPENSER

2. Main Wash Detergent Compartment

- Add measured detergent to this compartment for Main wash. Detergent is flushed from the dispenser at the beginning of the cycle. Either powdered or liquid detergent can be used.
- Liquid or powdered color-safe bleach may be added to the main wash compartment along with the same type of liquid or powdered detergent.

NOTE: If you are using the Prewash option, powdered detergent must be used in the main wash compartment. Liquid detergent will drain into the washer drum as it is added.



Designed specially to use only HE(High Efficiency) detergent

3. Liquid Bleach Compartment

- Add measured liquid chlorine bleach to this compartment. The bleach will be automatically dispensed at the proper time during the wash cycle.
- Do not exceed the maximum fill line. Overfilling can cause early dispensing of the bleach which could result in damaged clothes.
- Do not pour undiluted liquid chlorine bleach directly onto the load or into the drum. Fabric damage can occur.
- Do not use powdered bleach in this compartment.

4. Fabric Softener Compartment

- Add recommended amount of fabric softener to this compartment.
- Dilute concentrated softeners with warm water to the fill line.
- Do not exceed the maximum fill line. Overfilling can cause early dispensing of the fabric softener which could result in stained clothes.
- Do not pour fabric softener directly on the wash load.
- The fabric softener will be automatically dispensed during the last rinse cycle.

NOTE: Do not place, store, or spill laundry products (soap, detergent, bleach, softener, etc.) on the top of your washer or dryer. These products can damage the finish or controls if left there too long.

CYCLES

- Select cycles designed for different types of fabric and soil levels.

Cycle	Fabric type	Wash/Rinse Temp.	Spin speed	Soil Level	Pre-Wash	Quick Cycle	Extra Rinse	Rinse+ Spin	Auto-Load Detection ¹⁾
Cotton/ Towels	Cotton, linen, towels, shirts, sheets	Warm/Cold	High	Normal					
		Warm/Warm Hot/Cold Tap Cold/Cold Cold/Cold	No spin Low Medium	Heavy Light	○	○	○	○	○
Normal	Mixed loads, work clothes, jeans, shirts	Warm/Cold	High	Normal					
		Warm/Warm Hot/Cold Tap Cold/Cold Cold/Cold	No spin Low Medium	Heavy Light	○	○	○	○	○
Perm Press	Dress shirts/ pants, wrinkle free clothing, poly/ cotton blend clothing, table cloths	Warm/Cold	Medium	Normal					
		Warm/Warm Hot/Cold Tap Cold/Cold Cold/Cold	High No spin Gentle Low	Heavy Light	○	○	○	○	
Delicates	Dress shirts/ blouses, nylons, sheer or lacy garment	Cold/Cold	Low	Normal					
		Warm/Cold Warm/Warm Tap Cold/Cold	Medium No spin Gentle	Heavy Light	○	○	○	○	
Hand Wash	Items labeled "hand washable"	Cold/Cold	Gentle	Normal					
		Warm/Cold Warm/Warm Tap Cold/Cold	Low Medium No spin	Light		○	○	○	

1) Automatic wash load (weight) detection:

Automatically detects the load and optimizes the washing time. After detecting, the estimated time remaining in the cycle will be displayed.

HOW TO USE THE WASHER



Cycle Selector

1. Power

- Use this button to turn the Power **On/Off**.

2. Cycles

- Press the **Cycle selector** to select cycle designed for different types of fabric and soil levels.
- Each cycle has a preset Water Temperature, Spin Speed, Soil Level, and Option (See page 13).
- The preset settings can be changed anytime before Start.

NOTE: This front load washer requires longer cycle time and gets clothes much cleaner, yet is more gentle on the fabrics, than top load washers. Washing time can be reduced significantly for small loads or lightly soiled loads by selecting Quick Cycle with the Option button and setting the Soil Level button at Light.

3. Start/Pause

- Use this button to **start/stop** the washer.

4. Wash/Rinse Temperature

- Select a water temperature based on the type of load you are washing.
- Follow the fabric care label and chart below for best results.

Suggested Wash Temp.	Garment
Hot 122°F (50°C)	Whites and Heavy soiled color-fast items
Warm 104°F (40°C)	Most loads
Cold 77°F (25°C)	Brightly colored items, washable woolens

- Warm rinses leave the loads dryer than cold rinses. Warm rinses increase wrinkling.
- In cold climates, a warm rinse makes the load more comfortable to handle.
- Cold rinses save energy.
- The Cold rinse temperatures depend on the cold water at your faucet.
- Warm rinses are regulated at approximately 86°F (30°C).
- For the Tap Cold/Cold setting, both wash and rinse temperatures depend on the cold water at your faucet.

5. Spin speed

- To change the spin speed, press the **Spin Speed** button repeatedly to cycle through available options.
- To start Drain/Spin cycle:
 1. Press **Power** button to turn on.
 2. Press **Spin Speed** button only.
 3. Press **Start/Pause** button.

HOW TO USE THE WASHER

6. Soil Level

- To change the soil level, press the **Soil Level** button repeatedly until the desired setting is on.

OPTION

1. Prewash

- Use this option for loads that need pretreatment. Adds 16 minutes prewash and drain.

NOTE: When using Prewash option, do not use liquid detergent in the Main Wash Compartment. Use powdered for the main wash.

2. Quick Cycle

- The Quick cycle offers a quick cycle time.
- Suggested uses include freshening newly purchased clothes, or clothing that has been packed away.

3. Rinse+Spin

- Use this option to rinse and then spin.

4. Extra Rinse

- This option provides an additional rinse.
- Use this option to ensure the removal of detergent or bleach residue from garments.

5. Delay Wash

- Allows the start of any cycle to be delayed for 1~9 hours.
- Choose the wash cycle for your load, and then press the **Delay Wash** button once for one hour or press the button again to increase the delay wash time up to 9 hours in one hour increments.

6. Beeper

- Use this button to turn the Beeper **On/Off**.

EST. TIME REMAINING

- This display shows:
 - a) the estimated time remaining in the cycle when operating,
 - b) the error code when an error has been detected.

CHILD LOCK



- Use this option to prevent unwanted use of the washer. Press and hold **Option** button for 3 seconds to lock/unlock control.
- When Child lock is set, “**CL**” blinks and all buttons are disabled except the **Power** button. You can lock the washer while it is operating.

DOOR LOCKED

- Lights whenever the door of the washer is locked.
- The door can be unlocked by pressing the **Start/Pause** button to stop the washer.

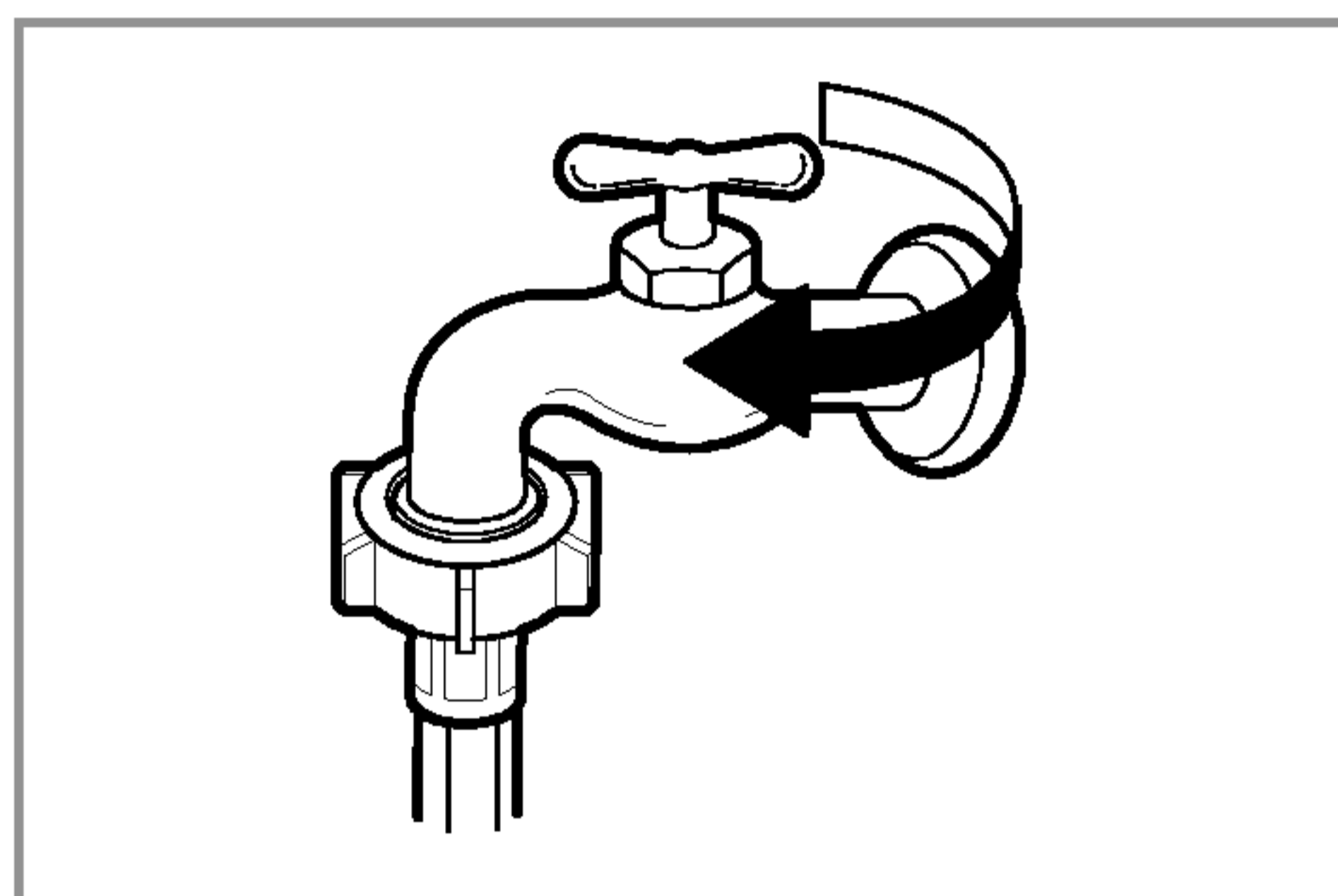
NOTE: If the water temperature or the level is too high, the door cannot be unlocked. Do not try to force the door open when DOOR LOCKED lights on.

MAINTENANCE

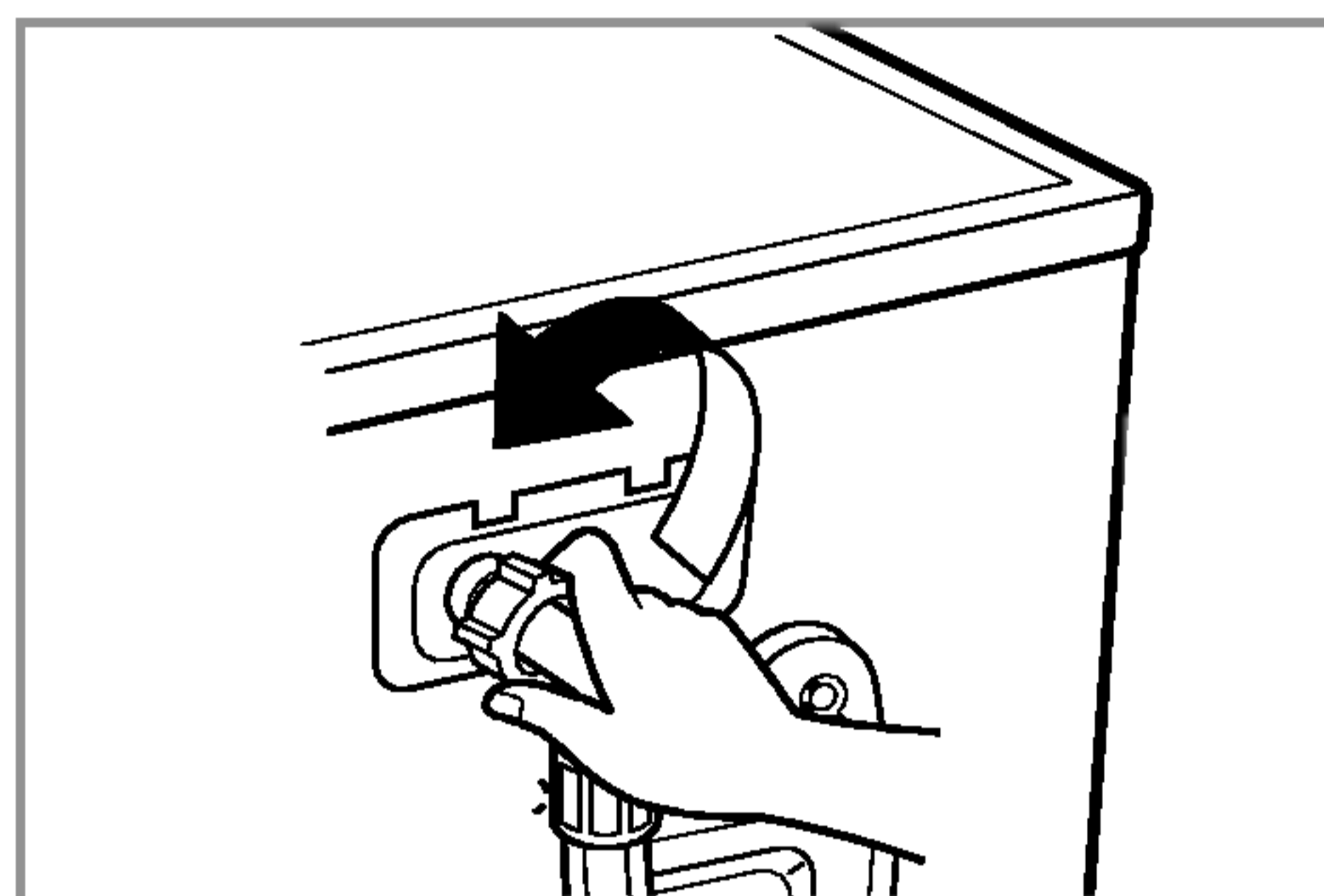
Before cleaning the washer interior, unplug the electrical power cord to avoid electrical shock hazards. When disposing of the appliance, cut off the power cable, destroy the plug, and disable the door lock to prevent young children from being trapped inside.

■ The water inlet filter

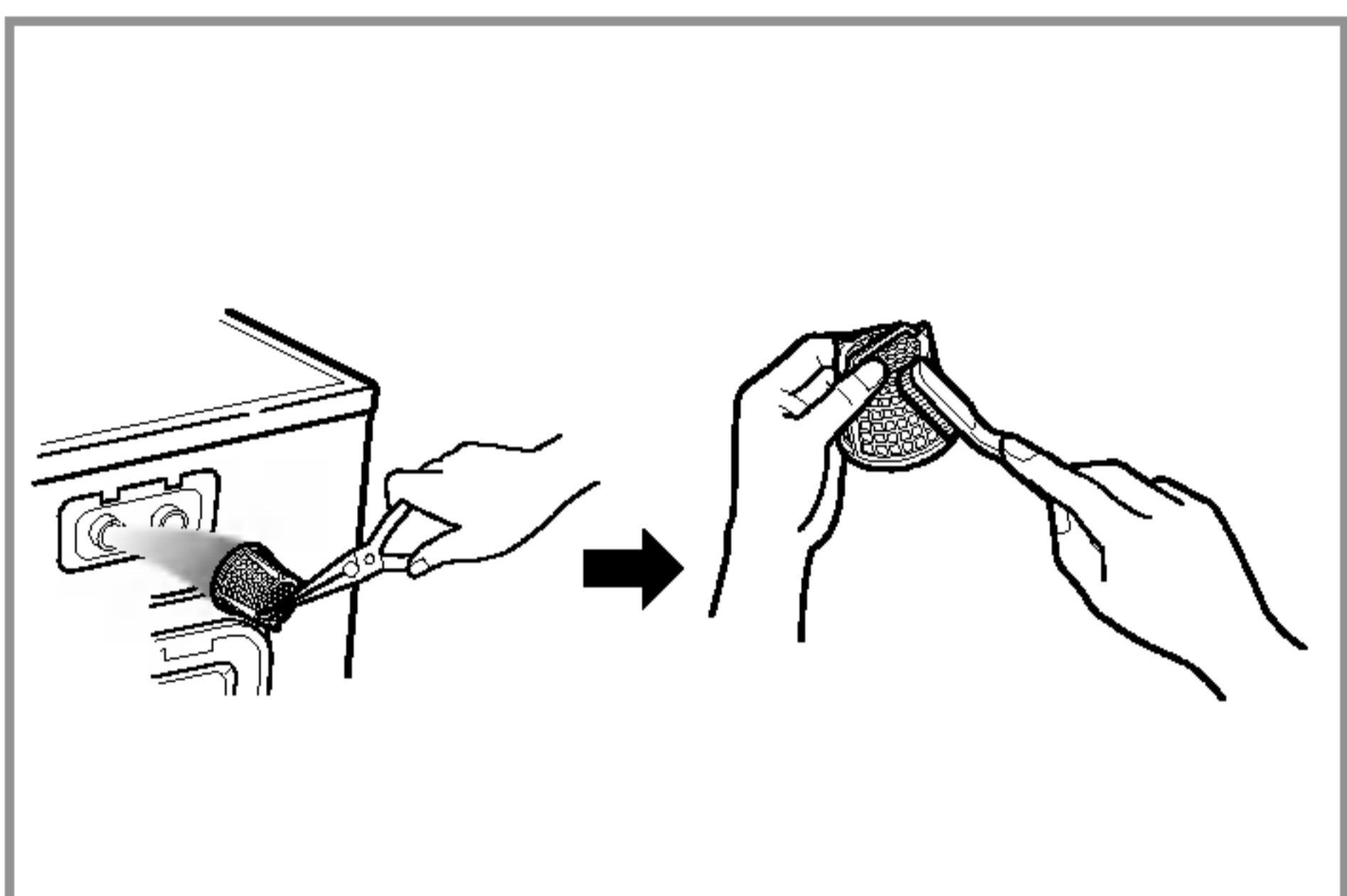
- " iE " error message will blink on the control panel when water does not enter the dispenser.
- If your water is very hard or contains traces of lime deposit, the water inlet filter may become clogged. We recommend cleaning it every few months.



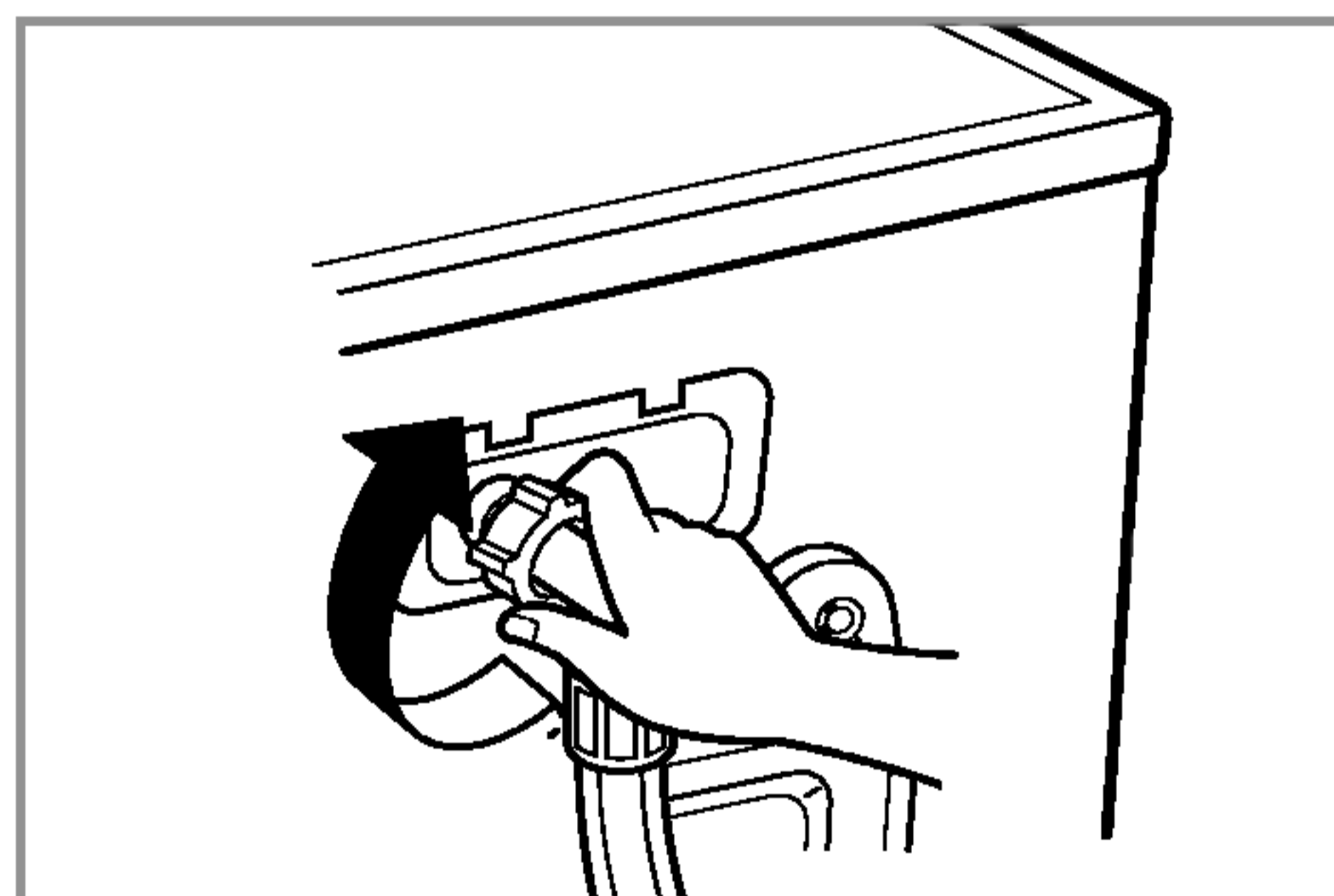
1. Turn off the water tap.



2. Unscrew the water inlet hose.



3. Clean the filter using a hard bristle brush.



4. Tighten the inlet hose.

■ The drain pump filter

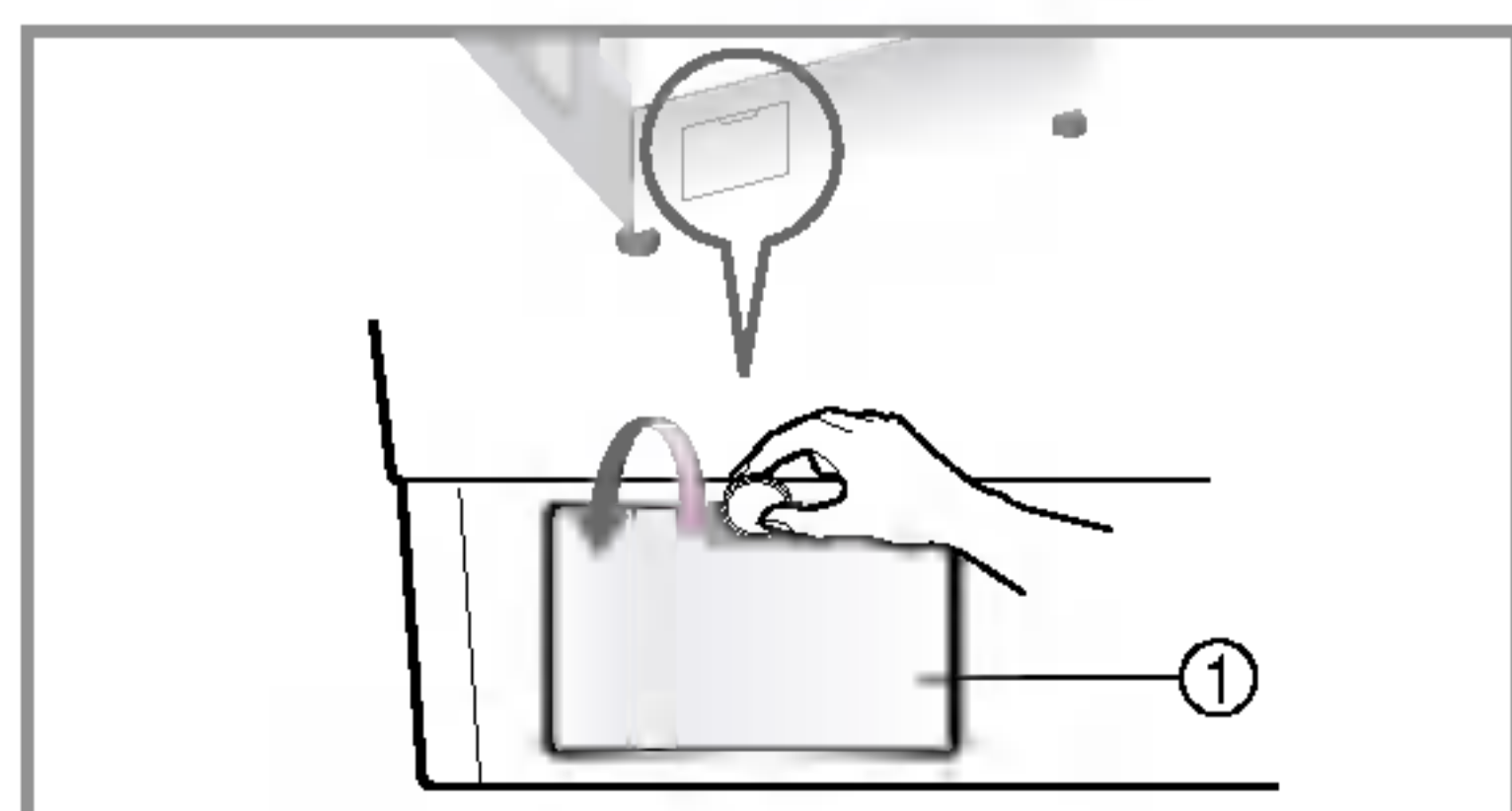
- The drain filter collects threads and small objects left in the laundry. Check regularly that the filter is clean to ensure smooth running of your machine.

! CAUTION

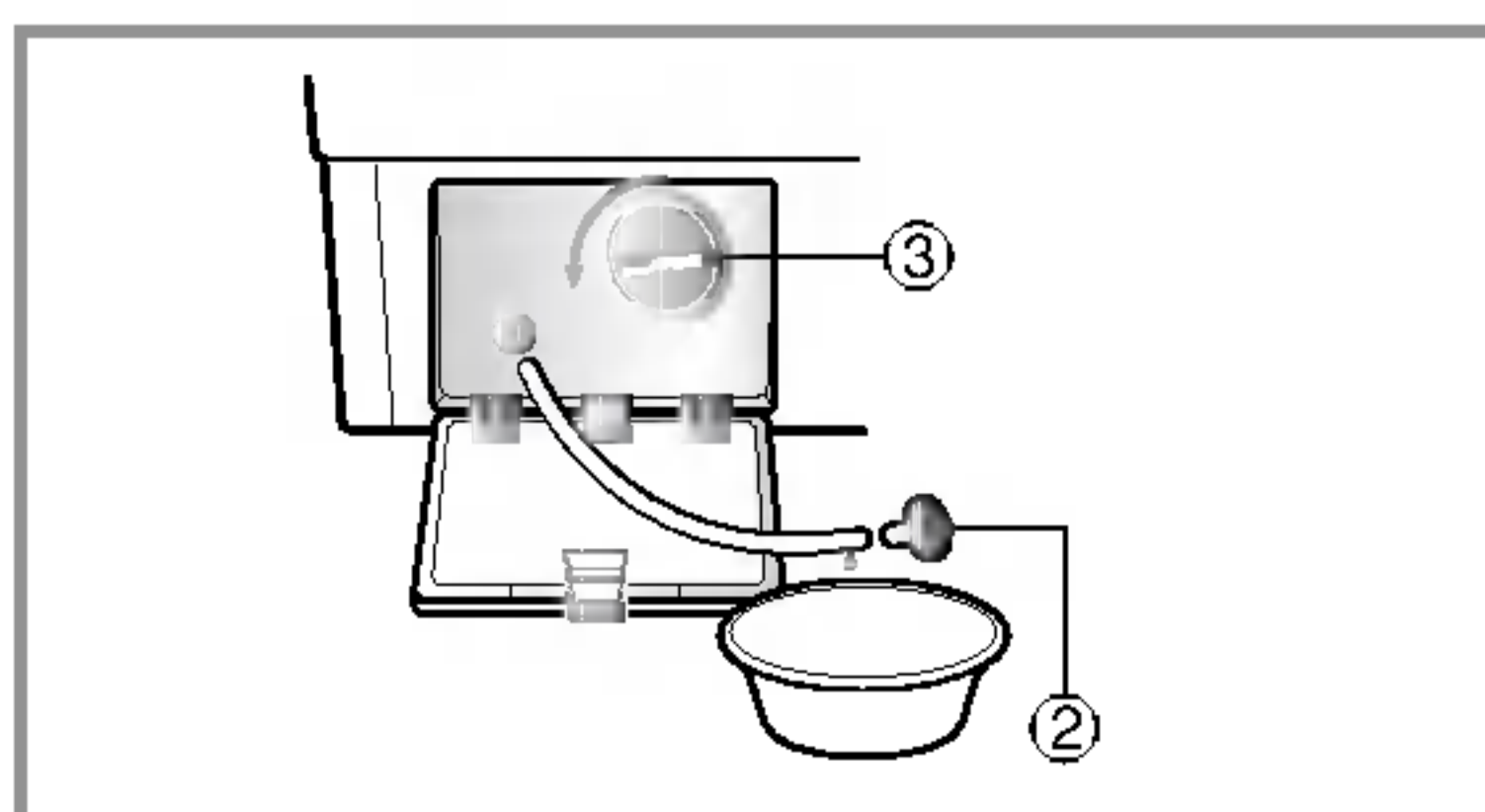
Drain, using the drain hose, before opening the pump filter to remove objects. Be careful when draining if the water is hot.

- Allow the water to cool down before cleaning the drain pump filter.

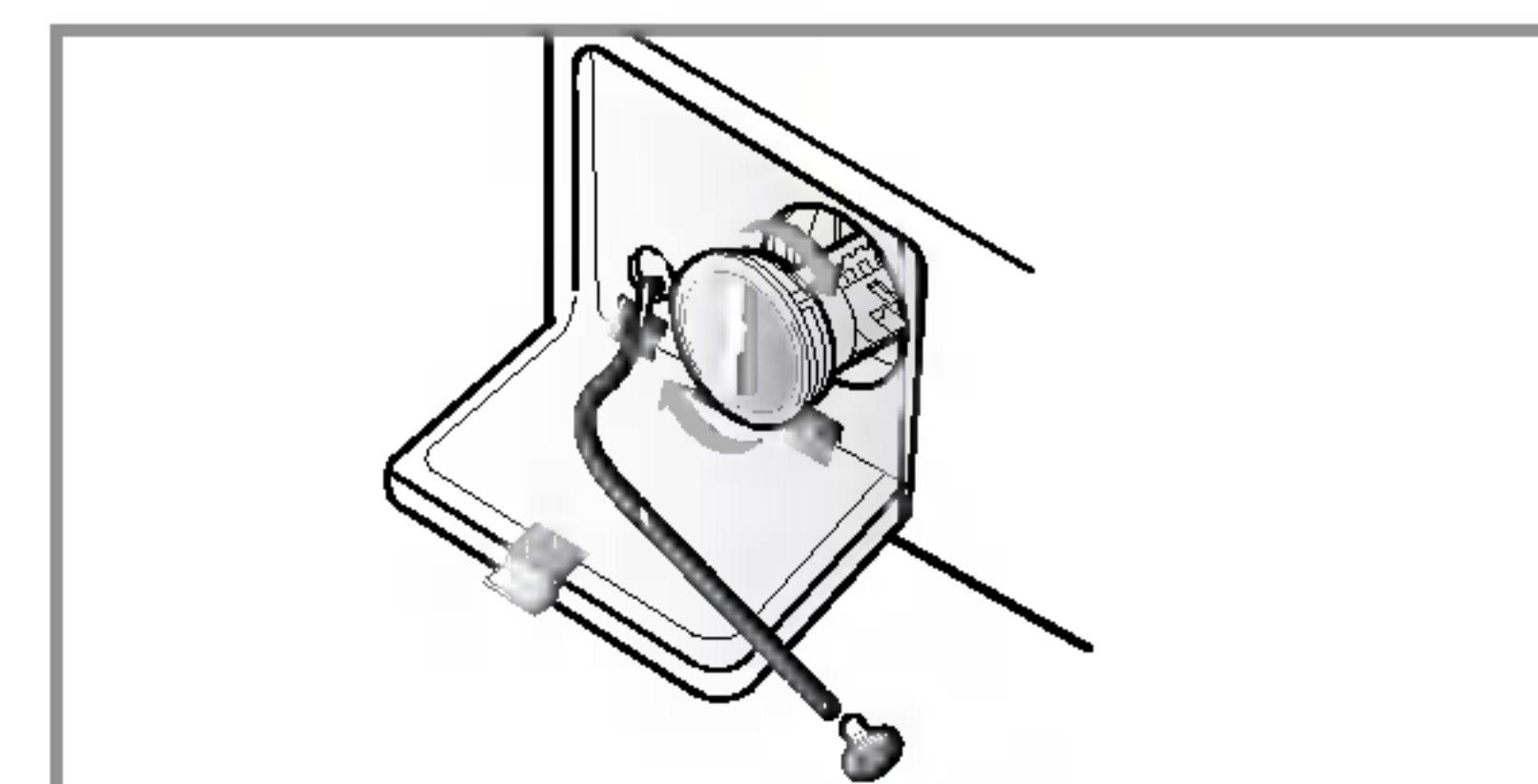
1. Open the lower cover cap ① with a tool such as coin. Turn the drain plug ② to pull out the hose.



2. Unplug the drain plug ②, allowing the water to flow out. At this time use a vessel to prevent water from flowing onto the floor. When water does not flow any more, turn the pump filter ③ open to the left.



3. Remove any foreign objects from the pump filter ③. After cleaning, turn the pump filter ③ clockwise and insert the drain plug ② to the original place. Close the lower cover cap ①.

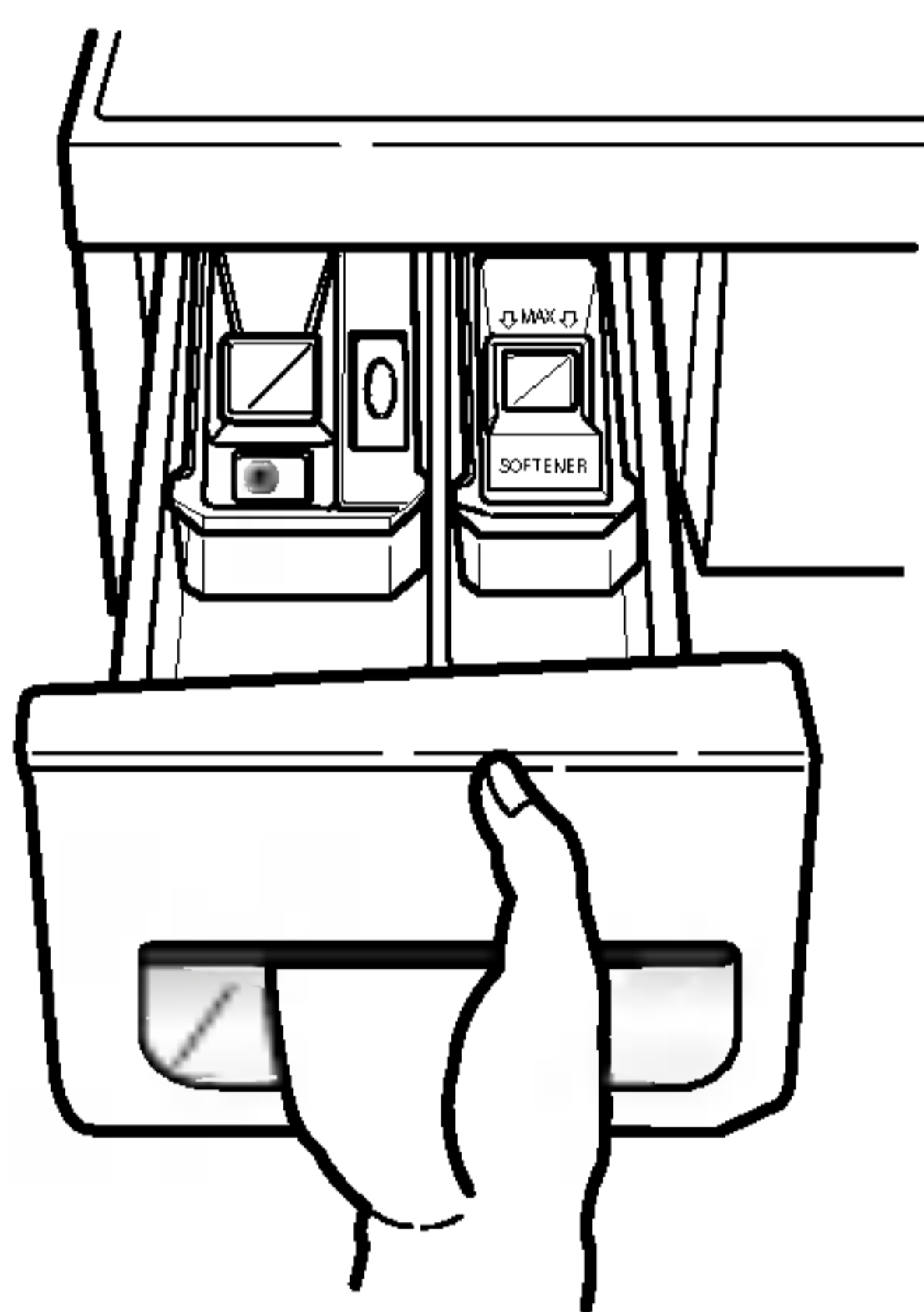


MAINTENANCE

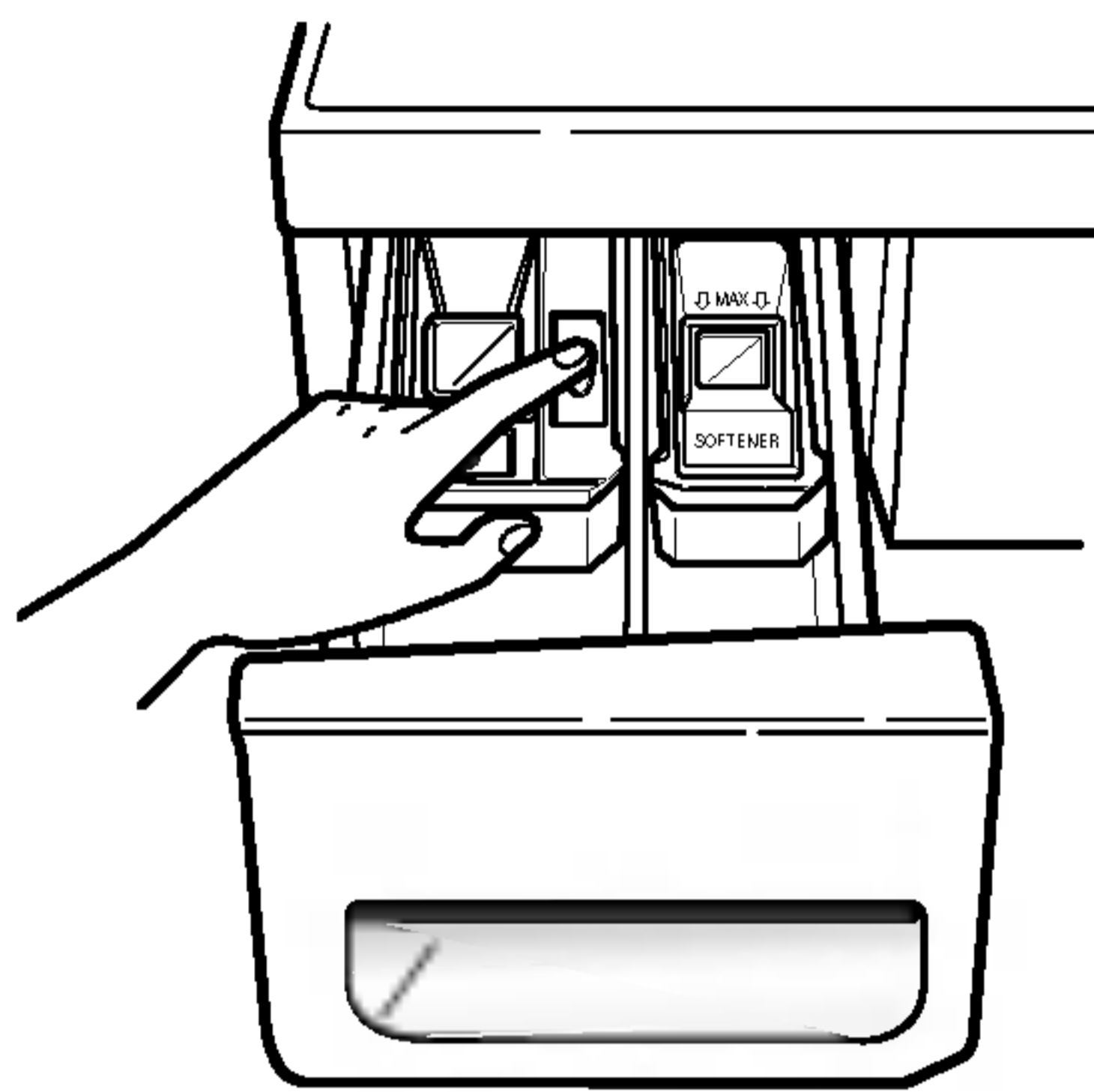
■ Cleaning the Dispenser

- The dispenser may need to be cleaned periodically due to laundry additive build-up.

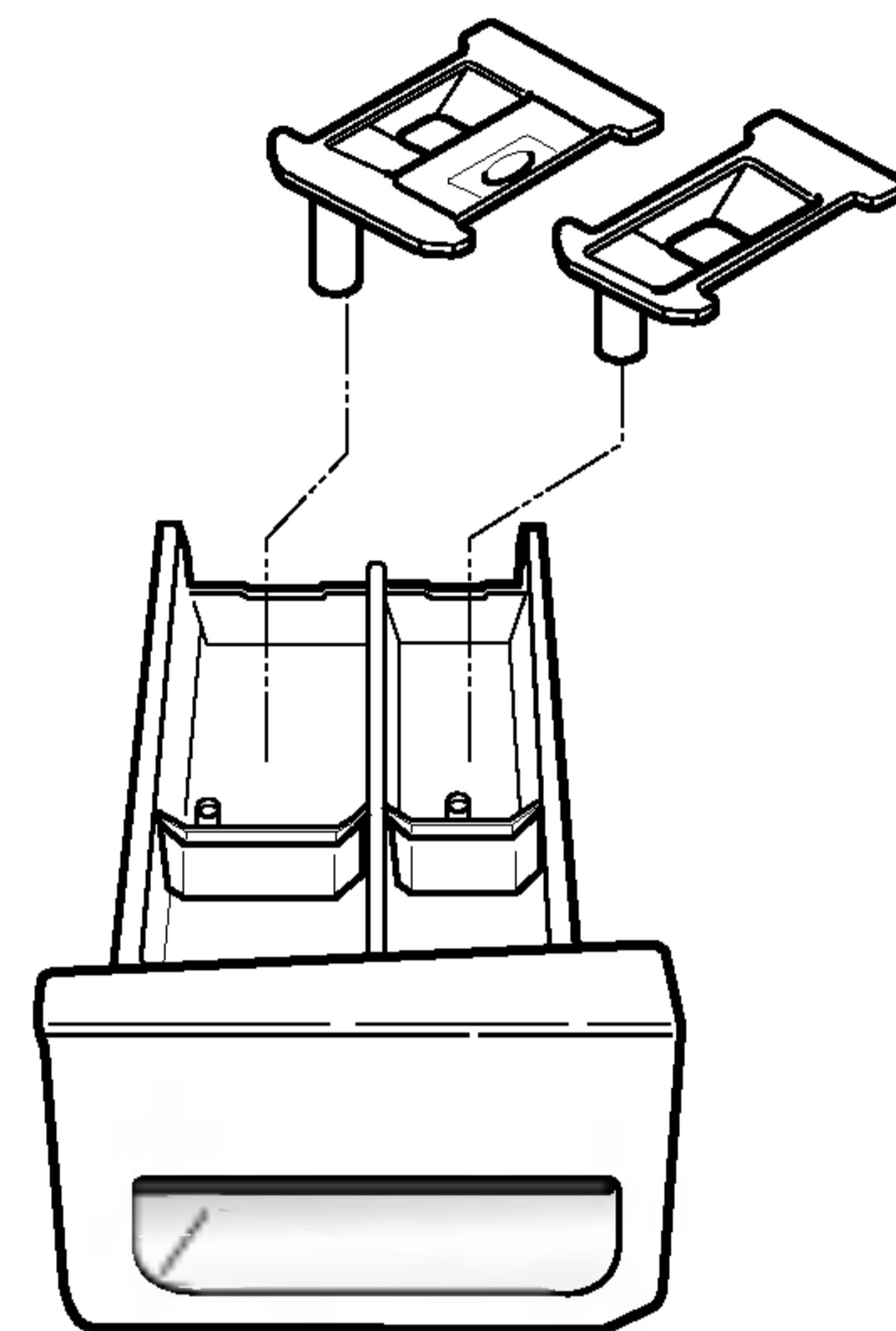
1 Pull the dispenser drawer out until it stops.



2 Press down the lock tab on the bleach insert. Remove the drawer.



3 Remove the softener and bleach inserts from their compartments.



- Run warm water and use a soft brush or cloth on the drawer and inserts to remove any excess laundry additives.
- Clean the drawer opening using water and a small brush.
- Follow the illustrations in reverse order to replace the parts to their proper location.

NOTE: Do not use any cleaning substance on the drawer opening other than water because it will drain into the tub. If this should happen, set the washer for a rinse and spin cycle to remove any cleaning substance from the washer before doing a load of laundry.

■ The washing drum

- If you live in a hard water area, lime scale can continuously build up in places where it cannot be seen and it is not easily removed from the drum. Over time the build-up of scale clogs appliances, and if it is not kept in check, these will eventually have to be replaced.
- Although the washing drum is made of Stainless steel, specks of rust can be caused by small metal articles (paper clips, safety pins, etc.) which have been left in the drum.
- The washing drum should be cleaned from time to time.
- If you use descaling agents, dyes, or bleaches, make sure they are suitable for washing machine use.
- Descaler could contain components that can damage part of your washing machine.
- Remove the spots with a stainless steel cleaning agent.
- Never use steel wool.

MAINTENANCE

■ Cleaning your washer

1. Exterior

Proper care of your washer can extend its life.

The outside of the machine can be cleaned with warm water and a neutral, non-abrasive household detergent.

Immediately wipe off any spills with a damp cloth.

Try not to damage the surface with sharp objects.

* **IMPORTANT:** Do not use methylated spirit, solvents or similar products.

2. Interior

Dry around the washer door opening, flexible gasket and door glass. These areas should always be clean to ensure a water-tight seal.

Run washer through a complete cycle using hot water.

Repeat process if necessary.

NOTE: Remove hard water deposits using only cleaners labeled as safe for washing machines.


■ Winterizing instructions

If the washer is stored in an area where freezing can occur or moved in freezing temperatures, follow these winterizing instructions to prevent damage to the washer:

1. Turn off water supply tap.
2. Disconnect hoses from water supply and drain water from hoses.
3. Plug electrical cord into a properly grounded electrical outlet.
4. Add 1 gallon (3.8 ℓ) nontoxic recreational vehicle (RV) antifreeze to empty wash drum. Close door.
5. Set spin cycle and let washer spin for 1 minute to drain out all the water.
Not all of the RV antifreeze will be expelled.
6. Unplug electrical power cord, dry drum interior, and close door.
7. Remove the two-compartment container from the Dispenser. Drain any water in compartments and dry the compartments.
8. Store washer in an upright position.
9. To remove antifreeze from washer after storage, run empty washer through a complete cycle using detergent.
Do not add laundry.

TROUBLESHOOTING GUIDE

* This washing machine is equipped with automatic safety functions which detect and diagnose problems at an early stage and react appropriately. When the machine does not function properly or does not function at all, check the following points before you call the Service Department.

Problem	Possible Cause	Solution
Rattling and clanking noise	<ul style="list-style-type: none"> Foreign objects such as coins or safety pins may be in drum or pump. 	<p>Stop washer and check drum and drain filter.</p> <p>If noise continues after washer is restarted, call for service.</p>
Thumping sound	<ul style="list-style-type: none"> Heavy wash loads may produce a thumping sound. This is normal. 	<p>If sound continues, washer is probably out of balance. Stop and redistribute wash load.</p>
Vibrating noise	<ul style="list-style-type: none"> Have all the transit bolts and packing been removed? Wash load may be unevenly distributed in the drum. Are all the feet resting firmly on the ground? 	<p>See Installation Instructions for removing shipping bolts.</p> <p>Stop washer and rearrange wash load.</p> <p>Adjust the leveling feet.</p> <p>Make sure all four feet are in firm contact with the floor, while the washer is in the spin cycle with load.</p>
Water leaks	<ul style="list-style-type: none"> Fill hose connection is loose at tap or washer. House drain pipes are clogged. 	<p>Check and tighten hose connections.</p> <p>Unclog drain pipe. Contact plumber if necessary.</p>
Excessive suds	<ul style="list-style-type: none"> Too much detergent or unsuitable detergent. 	<p>Reduce detergent amount or use HE (High Efficiency) detergent.</p> <p> Designed specially to use only HE(High Efficiency) detergent</p>

TROUBLESHOOTING GUIDE

Problem	Possible Cause	Solution
<p>Water does not enter washer or it enters slowly</p> <p>Water in the washer does not drain or drains slowly</p>	<ul style="list-style-type: none"> • Water supply is not adequate in area. • Water supply tap is not completely open. • Water inlet hose is bent. • The filter of the inlet hose clogged. • Drain hose is bent or clogged. • The drain filter is clogged. 	<p>Check another tap in the house.</p> <p>Fully open tap.</p> <p>Straighten hose.</p> <p>Check the filter of the inlet hose.</p> <p>Clean and straighten the drain hose.</p> <p>Clean the drain filter.</p>
<p>Washer does not start</p> <p>Washer won't spin</p>	<ul style="list-style-type: none"> • Electrical power cord may not be plugged in or connection may be loose. • House fuse is blown, circuit breaker tripped, or a power outage has occurred. • Water supply tap is not turned on. • Check that the door is firmly shut. 	<p>Make sure plug fits tightly in wall outlet.</p> <p>Reset circuit breaker or replace fuse. Do not increase fuse capacity. If problem is a circuit overload, have it corrected by a qualified electrician.</p> <p>Turn on water supply tap.</p> <p>Close the door and press the Start/Pause button. After pressing the Start/Pause button, it may take a few moments before the clothes washer begins to spin. The door must lock before spin can be achieved.</p>
<p>Wash cycle time delayed</p>	<ul style="list-style-type: none"> • The washing time may vary by the amount of laundry, water pressure, water temperature, and other using conditions. 	<p>If an imbalance is detected or if the suds removing program operates, the wash time shall be increased.</p>

TROUBLESHOOTING GUIDE

Problem	Possible Cause	Solution
1E	<ul style="list-style-type: none"> • Water supply is not adequate in area. • Water supply taps are not completely open. • Water inlet hose is bent. • The filter of the inlet hose clogged. 	<p>Check another tap in the house.</p> <p>Fully open tap.</p> <p>Straighten hose.</p> <p>Check the filter of the inlet hose.</p>
0E	<ul style="list-style-type: none"> • Drain hose is bent or clogged. • The drain filter is clogged. 	<p>Clean and straighten the drain hose.</p> <p>Clean the drain filter.</p>
UE	<ul style="list-style-type: none"> • Load is too small. • Load is out of balance. • The appliance has an imbalance detection and correction system. If individual heavy articles are loaded (bath mat, bath robe, etc.) and the imbalance is too great, after several attempts to restart the spin cycle the machine will stop and the error code will be displayed. 	<p>Add 1 or 2 similar items to help balance the load.</p> <p>Rearrange load to allow proper spinning.</p>
dE	<ul style="list-style-type: none"> • Is the door opened or not completely closed? 	<p>Close the door completely.</p> <p>* If dE is not released, call for service.</p>
tE		Unplug the power plug and call for service.
FE	<ul style="list-style-type: none"> • The water overfills due to the faulty water valve. 	<p>Close the water tap.</p> <p>Unplug the power plug.</p> <p>Call for service.</p>
PE	<ul style="list-style-type: none"> • The water level sensor malfunction. 	
CE	<ul style="list-style-type: none"> • Overload in motor. 	
LE	<ul style="list-style-type: none"> • Overload in motor. 	
PF	<ul style="list-style-type: none"> • The washer experienced a power failure. 	Restart the cycle.

Visit our web site: www.LG.ca

LG Electronics Canada, Inc.

LIMITED WARRANTY

Should your product prove to be defective in materials or workmanship under normal use during the warranty period listed below, which warranty period runs from the original date of purchase, LG Electronics will, at its option, repair or replace the product at no charge to you.

The warranty is valid only to the original purchaser of the product, during the warranty period, as long as it is in Canada.

LG Washing Machine / Dryer Warranty Period

<u>Components</u>	<u>Parts</u>	<u>Labor</u>
All Parts	2 Years	2 Years (In-Home Service)
Motor, Controller	3 Years	2 Years (In-Home Service)
Drum Tub	5 Years	2 Years (In-Home Service)

No other warranty is applicable to this product. THE DURATION OF ANY IMPLIED WARRANTIES, INCLUDING THE IMPLIED WARRANTY OF MERCHANTABILITY, IS LIMITED TO THE DURATION OF THE EXPRESS WARRANTY HEREIN. LG ELECTRONICS SHALL NOT BE LIABLE FOR THE LOSS OF USE OF THE PRODUCT, INCONVENIENCE, LOSS OR ANY OTHER DAMAGES, DIRECT OR CONSEQUENTIAL, ARISING OUT OF THE USE OF OR INABILITY TO USE, THIS PRODUCT OR FOR ANY BREACH OF ANY EXPRESS OR IMPLIED WARRANTY, INCLUDING THE IMPLIED WARRANTY OF MERCHANTABILITY OR FITNESS FOR A PARTICULAR PURPOSE, APPLICABLE TO THIS PRODUCT.

Some Provinces or Territories do not allow for the exclusion or limitation of incidental or consequential damages of limitations on how long an implied warranty lasts; so these limitations or exclusions may not apply to you. This warranty gives you, (the original purchaser) specific legal rights and you may also have other rights, which vary from province to province or territory to territory.

THE ABOVE WARRANTY DOES NOT APPLY TO:

1. Service trips to your home to deliver and pickup, install, instruct or replace house fuses, or connect house wiring or plumbing, or correction of unauthorized repairs.
2. Damage to the product caused by accident, pest, fire, floods or acts of God.
3. Repairs when your LG product is used in other than normal, single-family household use or contrary to the instructions outlined in the product's owners manual.
4. Damage resulting from accident, alteration, misuse, abuse, or improper installation or maintenance.
5. Products with altered or removed serial numbers

If the product is installed outside the normal service area, any cost of transportation involved in the repair of the product, or the replacement of a defective part, shall be borne by you (the owner).

CUSTOMER ASSISTANCE INFORMATION:

To obtain Warranty Coverage:

Retain your Bill of Sale to prove the date of purchase. A copy of your Sales Receipt must be submitted when warranty service is provided. This warranty is invalid if the factory applied serial number has been altered or removed from the product.

To obtain Product or Customer Service Assistance:

Call 1-888-LG-CANADA (542 2623)
Press the appropriate menu option, and have your product model and serial numbers and your postal code ready.

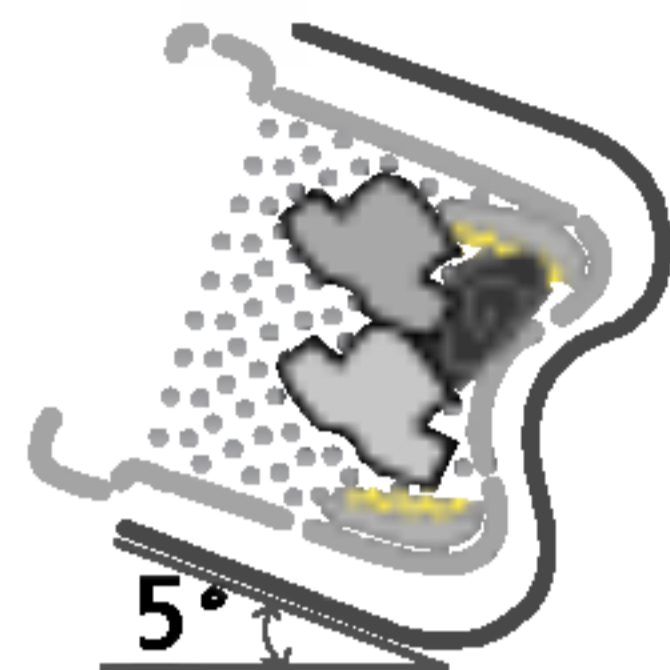
To obtain the nearest Authorized Service Center:

Access our web-site at: www.LG.ca (Service Option) or
Call 1-888-LG-CANADA (542 2623)
Press the appropriate menu option, have your product model & serial numbers & your postal code ready.

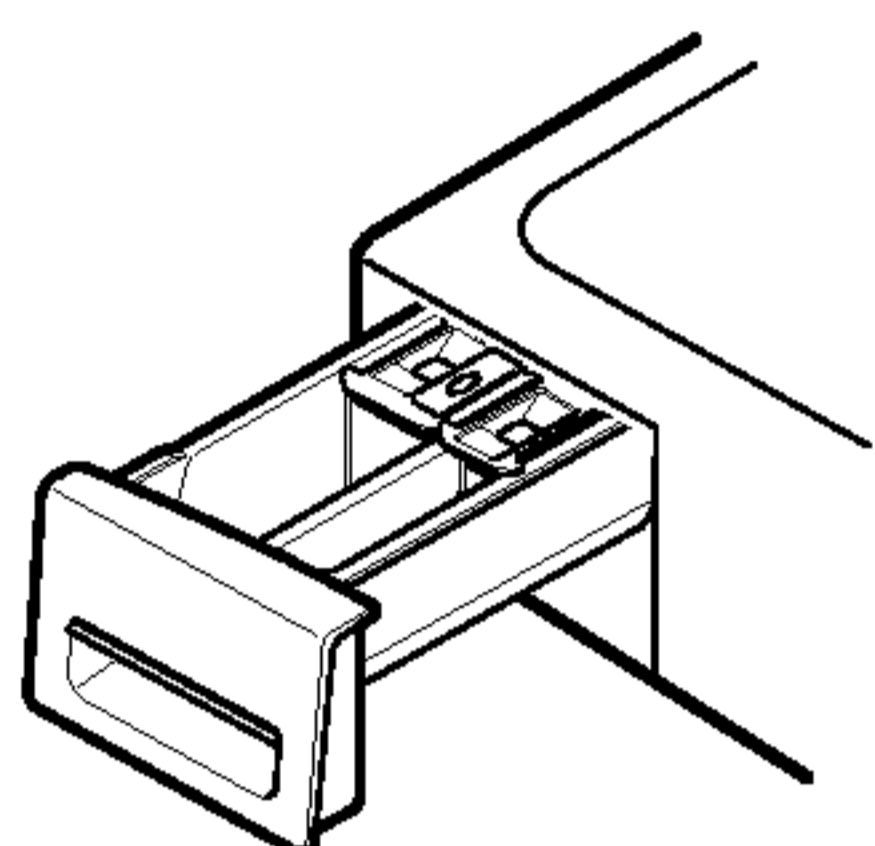
CARACTÉRISTIQUES DU PRODUIT



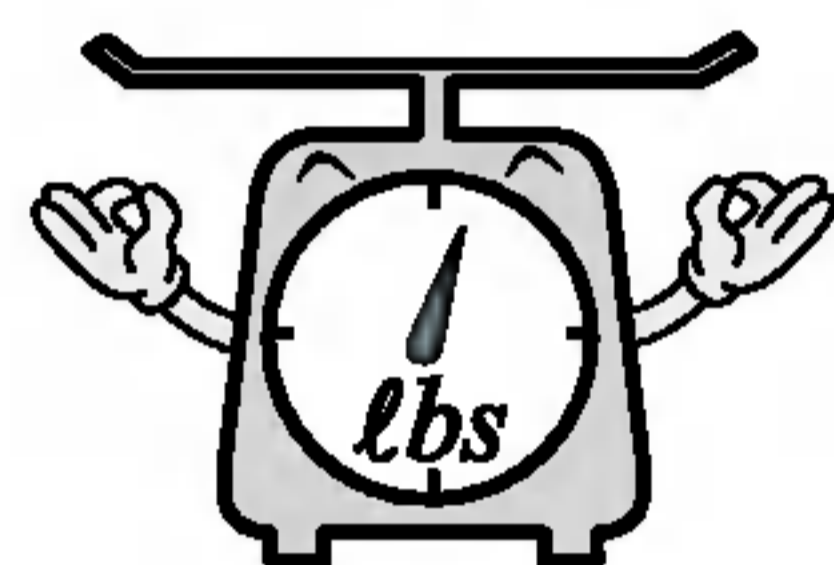
- **Moteur à entraînement direct**
Le moteur CC sans balais perfectionné entraîne directement le tambour sans courroie ni poulie.



- **Tambour incliné et très grande ouverture**
Le tambour incliné et la très grande ouverture permettent de charger et de décharger les articles facilement.



- **Distributeur temporisé**
Le détergent, l'assouplissant et le javellisant sont distribués séparément au bon moment pendant le cycle de lavage.



- **Détection automatique de charge de lavage**
Détection automatique de la charge et optimisation du temps de lavage.



- **Verrouillage enfant**
Pour empêcher les enfants de presser des touches et modifier les réglages pendant le fonctionnement.

TABLE DES MATIÈRES

Informations importantes de sécurité.....	24
Données techniques	25
Directives pour l'installation	26
Préparation au lavage.....	31
Utilisation du distributeur	32
Cycles	34
Utilisation de la laveuse	35
Entretien	37
Guide de dépannage	40
Garantie	43

INFORMATIONS IMPORTANTES DE SÉCURITÉ

LIRE TOUTES LES INSTRUCTIONS AVANT D'UTILISER

▲ AVERTISSEMENT!

Pour la sécurité, l'information de ce guide doit être suivie afin de minimiser le risque d'incendie ou d'explosion, de choc électrique, de dommages à la propriété ou de blessures.

INSTRUCTIONS IMPORTANTES DE SÉCURITÉ

▲ AVERTISSEMENT: Pour réduire tout risque d'incendie, de choc électrique ou de blessures ou moment d'utiliser la laveuse, prendre certaines précautions élémentaires, dont les suivantes :

- Lire toutes les instructions avant d'utiliser.
- Ne pas laver d'articles qui ont été lavés, trempés ou tachés avec de l'essence, des solvants de nettoyage à sec ou autres substances inflammables ou explosives, car elles émanent des vapeurs qui peuvent s'enflammer ou exploser.
- Ne pas ajouter d'essence, de solvants de nettoyage à sec ou autres substances inflammables ou explosives à l'eau de lavage, car elles émanent des vapeurs qui peuvent s'enflammer ou exploser.
- Dans certaines conditions, du gaz hydrogène peut se produire dans un système d'eau chaude qui n'a pas été utilisé pendant 2 semaines ou plus. L'HYDROGÈNE EST UN GAZ EXPLOSIF. Si un système d'eau chaude n'a pas été utilisé pendant une telle période, avant d'utiliser la laveuse, ouvrir tous les robinets d'eau chaude et laisser l'eau couler quelques minutes. Ceci dégage toute accumulation d'hydrogène. Comme ce gaz est inflammable, ne pas fumer ni utiliser une flamme nue pendant ce temps.
- Ne pas laisser les enfants jouer sur ou dans la laveuse. Une surveillance attentive des enfants est nécessaire pendant l'utilisation de l'appareil.
- Avant de jeter l'appareil aux rebuts, enlever la porte pour empêcher les enfants de s'y cacher.
- Ne pas installer ni entreposer l'appareil dans des endroits où il peut être exposé aux intempéries.
- Ne pas jouer avec les contrôles.
- Ne pas réparer ni remplacer des pièces de l'appareil ou tenter d'effectuer des réparations à moins que cela ne soit spécifiquement recommandé dans les instructions d'entretien de l'utilisateur ou dans les instructions de réparation publiées à moins d'avoir l'habileté et la compréhension nécessaires.
- Voir les instructions d'installation concernant les exigences de mise à la terre.
- TOUJOURS suivre les instructions d'entretien des tissus fournies par les fabricants.
- Ne pas placer d'articles exposés à l'huile de cuisson dans la laveuse. Ces articles peuvent contribuer à une réaction chimique pouvant causer un incendie.
- Ne pas utiliser d'assouplissant ou de produits éliminant l'électrostatique à moins que cela ne soit recommandé par le fabricant de l'assouplissant ou du produit.

CONSERVER CES INSTRUCTIONS

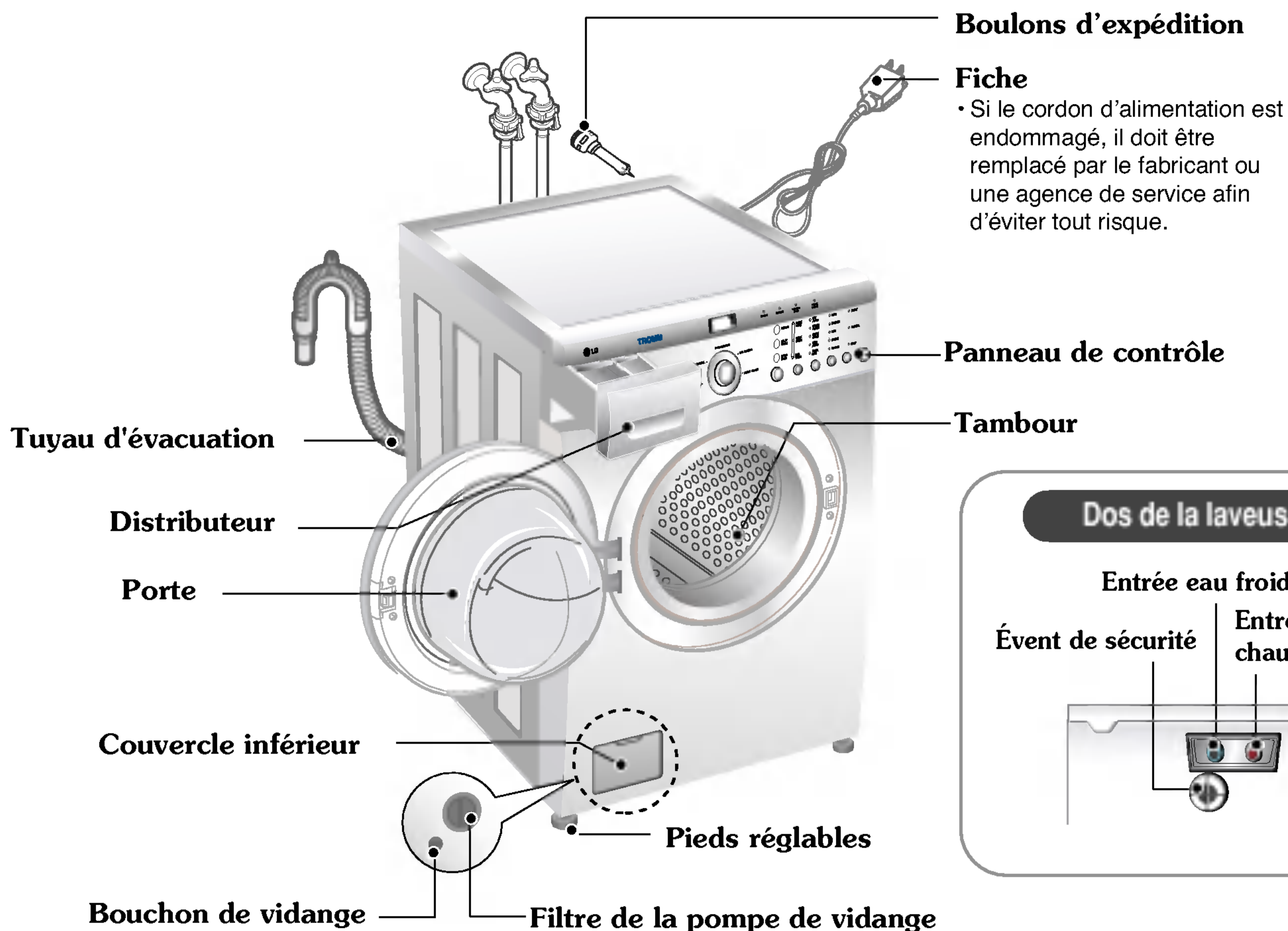
INSTRUCTIONS DE MISE À LA TERRE

Cet appareil doit être mis à la terre. En cas de mauvais fonctionnement ou de bris, la mise à la terre réduit le risque de choc électrique en fournissant un chemin de moindre résistance au courant électrique. Cet appareil est doté d'un cordon avec fil de terre et une fiche avec broche de mise à la terre. La fiche doit être branchée dans une prise appropriée, adéquatement installée et mise à la terre conformément aux codes et règlements locaux.

- Ne pas utiliser un adaptateur ni une rallonge.
- Ne pas enlever la broche de liaison à la terre.
- Si la prise de courant en convient pas, consulter un électricien.

▲ AVERTISSEMENT: Une connexion inappropriée à la terre pose un risque de choc électrique. Vérifier avec un électricien qualifié en cas de doute sur la mise à la terre appropriée de l'appareil. Ne pas modifier la fiche fournie avec l'appareil. Si elle ne peut être insérée dans la prise, en faire installer une par un électricien qualifié.

DONNÉES TECHNIQUES



Fiche
 • Si le cordon d'alimentation est endommagé, il doit être remplacé par le fabricant ou une agence de service afin d'éviter tout risque.

Panneau de contrôle

Tambour

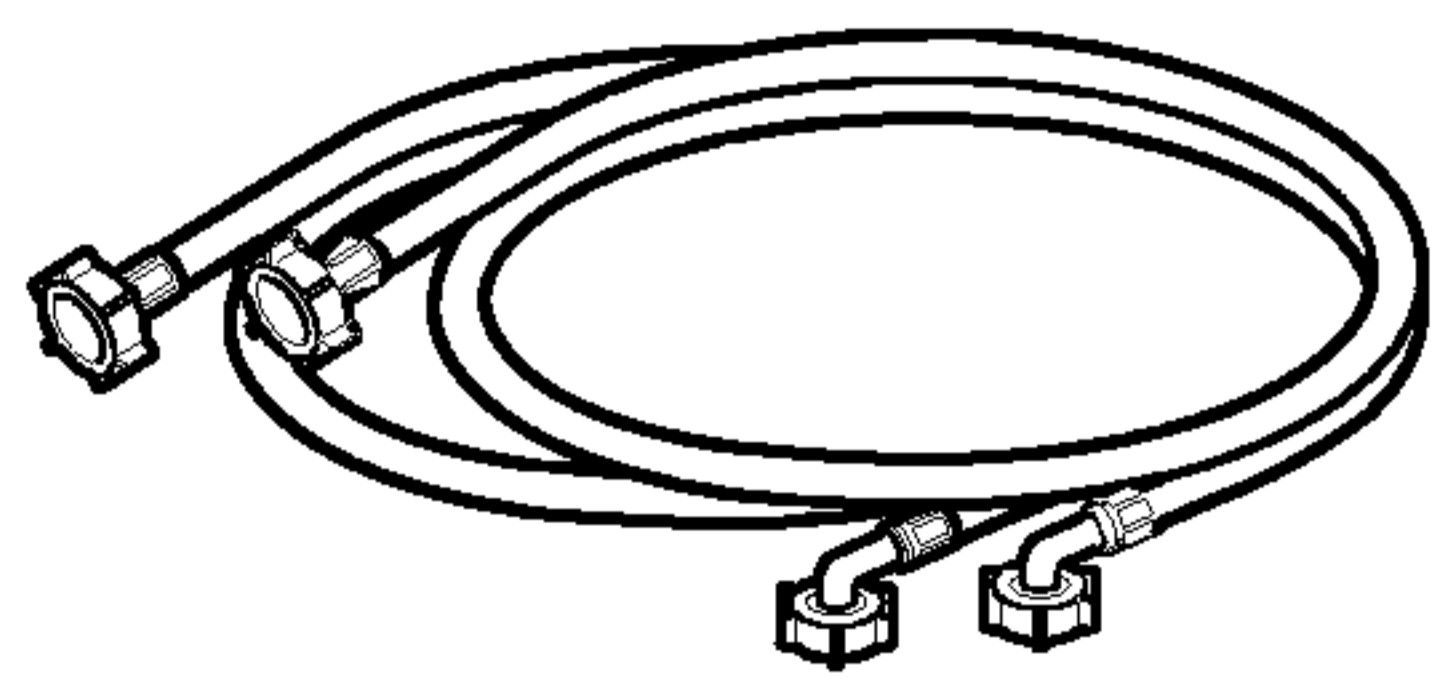
Dos de la laveuse

Entrée eau froide
Évent de sécurité
Entrée eau chaude

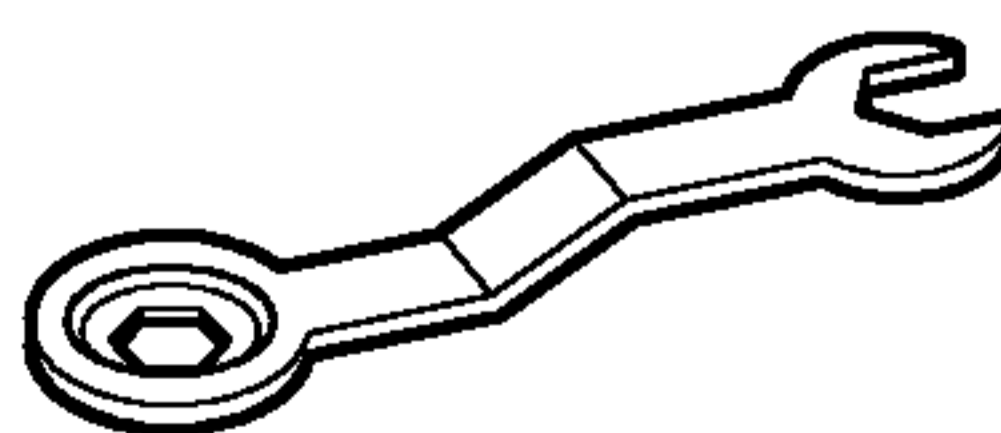
- Nom: Laveuse à chargement frontal
- Alimentation: 120 volts, 60 Hz
- Dimensions: 68,6 x 76,3 x 98,3 cm (LPH), 129,1 cm (P, porte ouverte)
 27 x 30 1/32 x 38 11/16 po (LPH), 50 13/16 po (P, porte ouverte)
 27"(L) X 30 1/32"(P) X 38 11/16"(H), 50 13/16"(P, porte ouverte)
- Poids: 173 lb (78,5 kg)
- Capacité de lavage: 2,96 pi³ (IEC: 3,42 pi³)¹⁾
- Vitesse d'essorage: 900 trs/min. maximum
- Pression d'eau permise: 4.5 ~ 116 lb/po² (30 ~ 800 kPa)

* Données techniques sujettes à changement sans préavis.

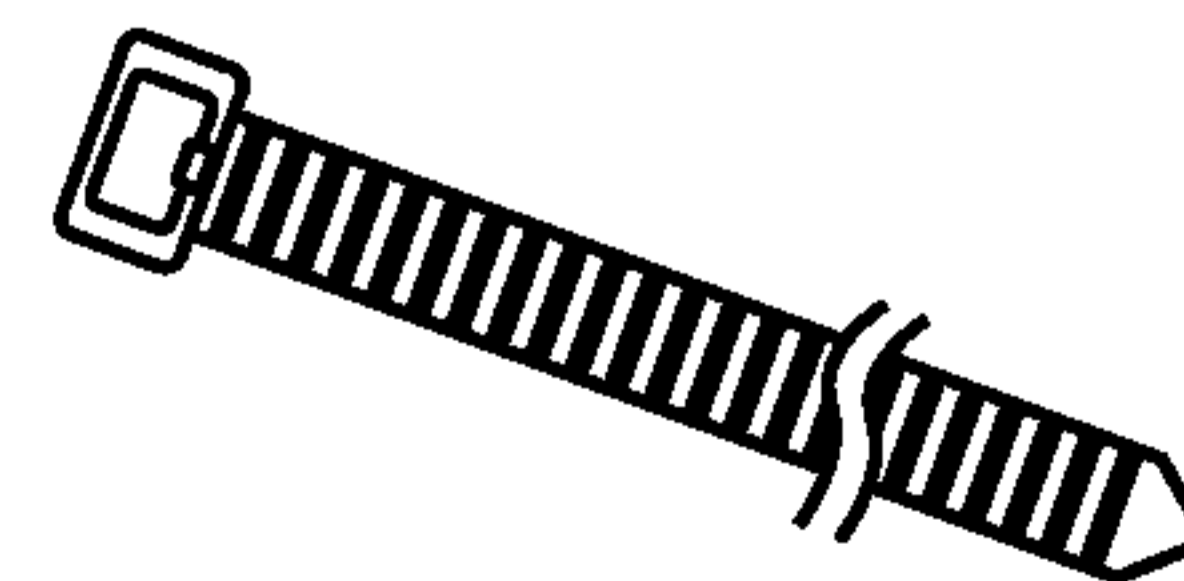
■ Accessoires



Tuyau eau chaude / froide
(1 de chaque)



Clé



Attache

pour fixer le tuyau d'évacuation à la colonne montante, au boyau d'entrée ou à l'évier

1) Selon IEC 60456, équivaut à une laveuse de 3.42 pi³ avec agitateur.

INSTRUCTIONS D'INSTALLATION

Installer ou ranger l'appareil dans un endroit où il ne sera pas exposé à des températures en dessous du point de congélation ou aux intempéries.

L'appareil doit être mis à la terre conformément aux codes et aux règlements en vigueur.

Pour réduire le risque de choc électrique, ne pas installer la laveuse dans un endroit humide.

L'ouverture à la base ne doit pas être obstruée par du tapis lorsque la laveuse est installée sur un plancher avec tapis.

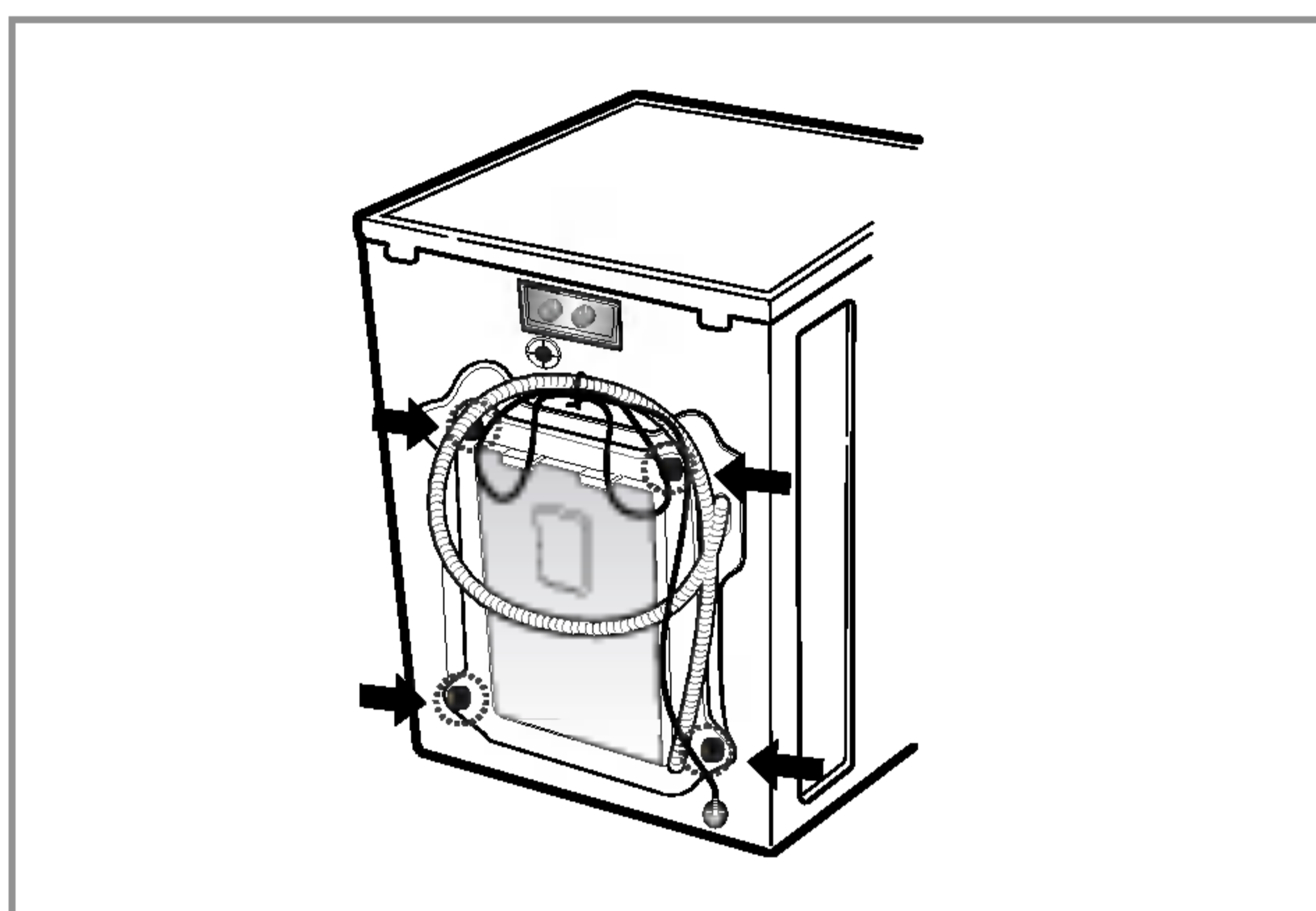
Dans les régions susceptibles aux infestations de coquerelles ou autres vermines, porter une attention particulière afin que l'appareil et les alentours soient propres en tout temps.

Tout dommage pouvant être causé par les coquerelles ou autres vermines n'est pas couvert par la garantie de l'appareil.

■ Boulons d'expédition

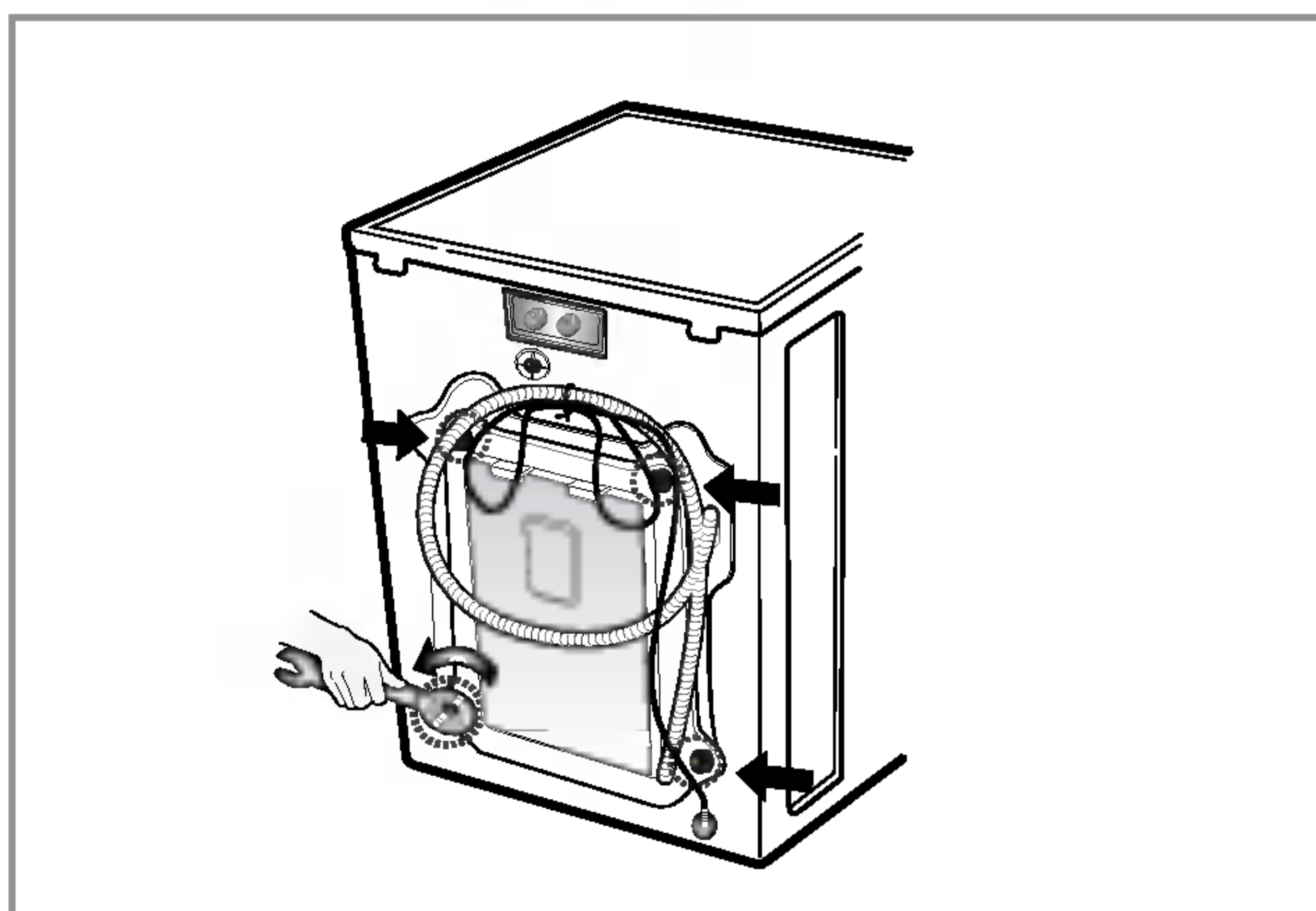
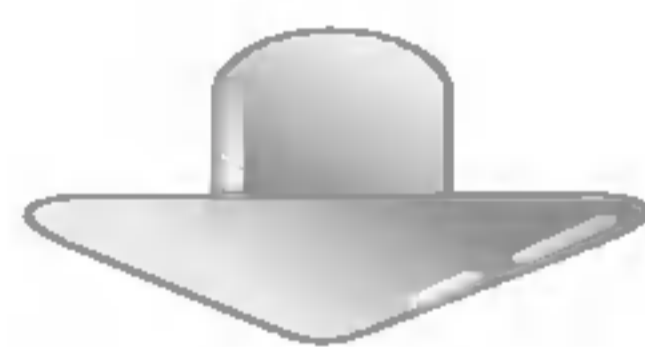
L'appareil est muni de boulons d'expédition pour empêcher les dommages internes pendant le transport.

■ Retrait des boulons d'expédition

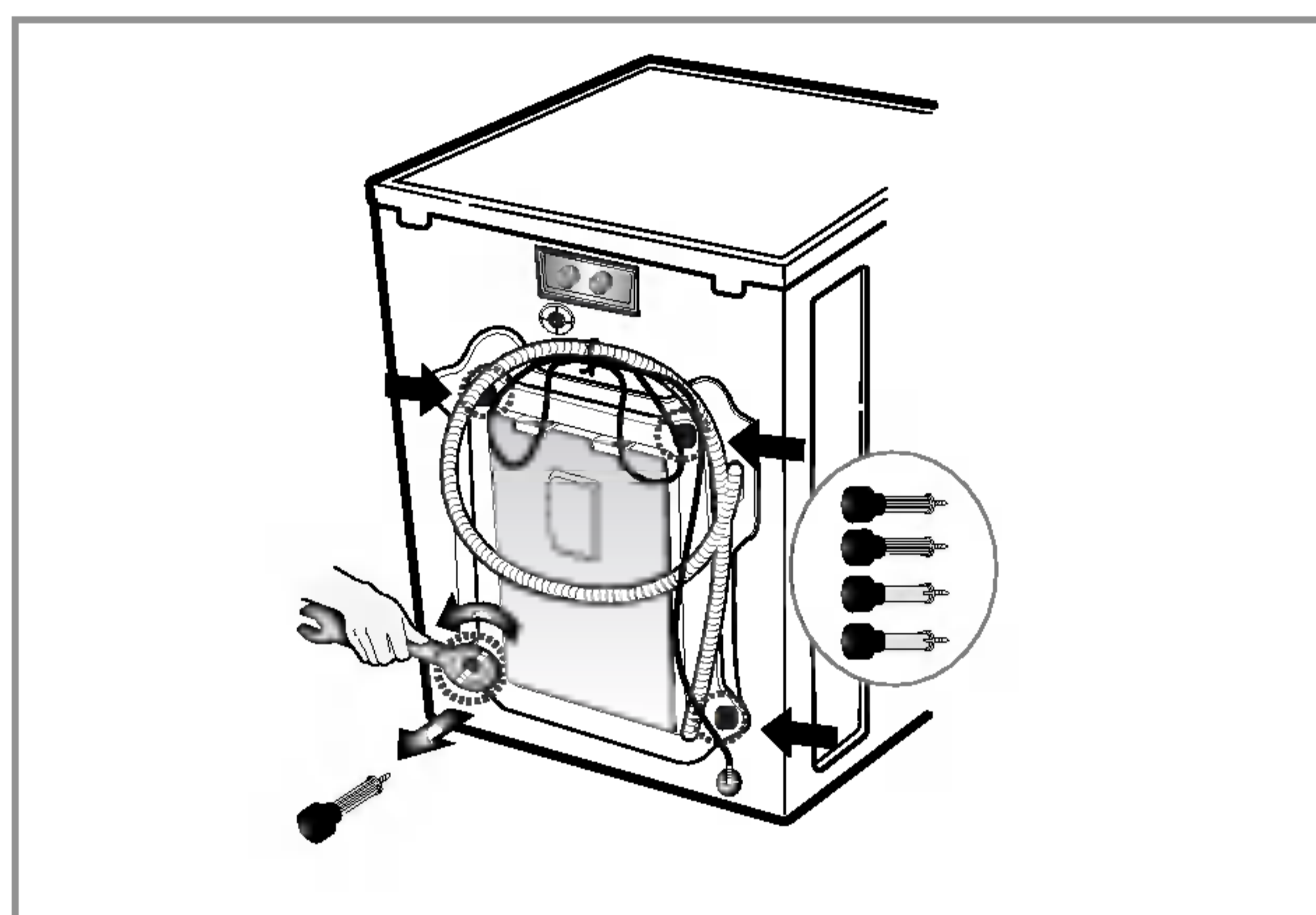


1. 4 boulons de retenue sont installés pour éviter les dommages en cours de transport. Enlever ces boulons avant de faire fonctionner la laveuse.

- Si les boulons ne sont pas enlevés, cela peut causer des vibrations intenses, du bruit et un mauvais fonctionnement.

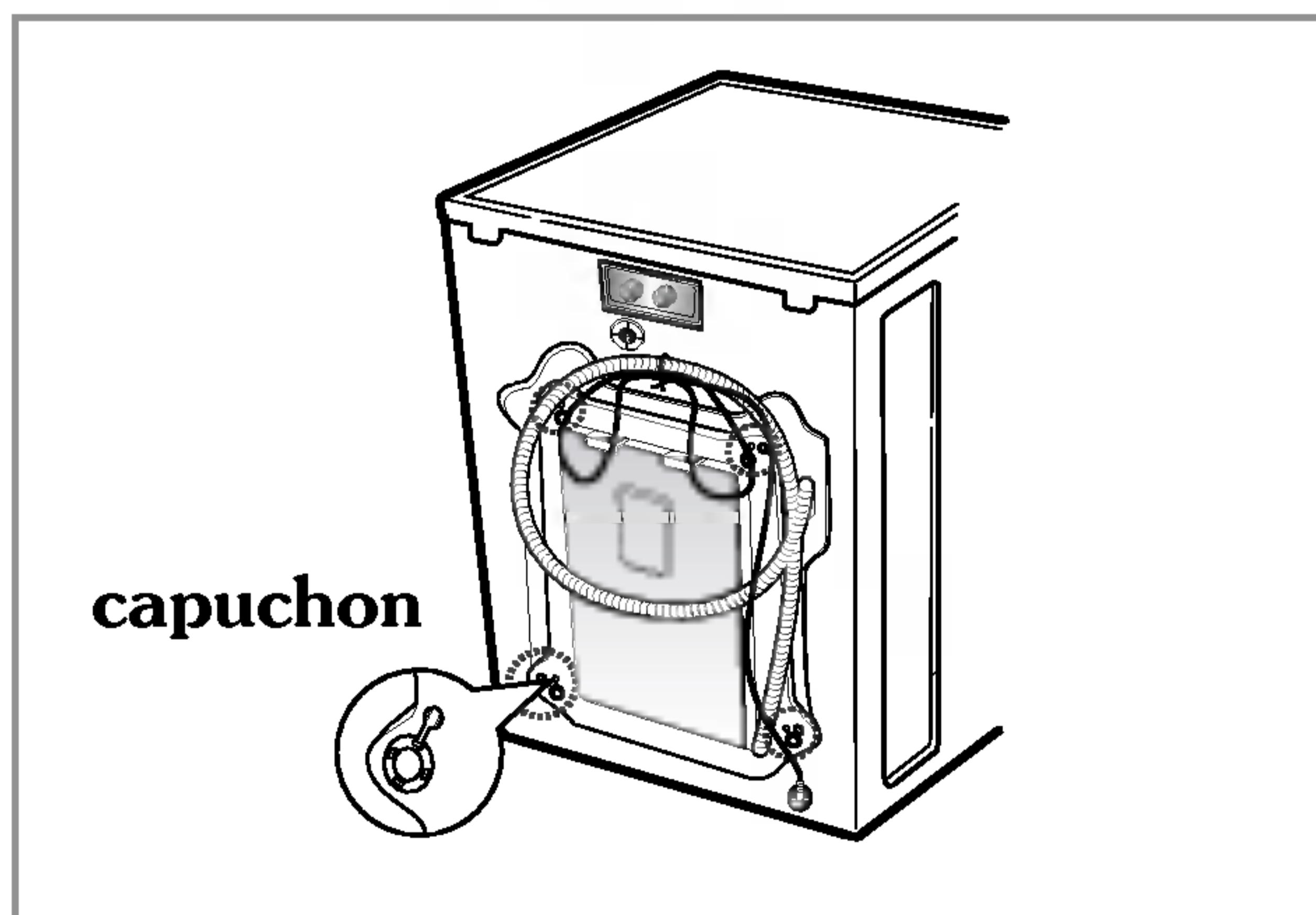
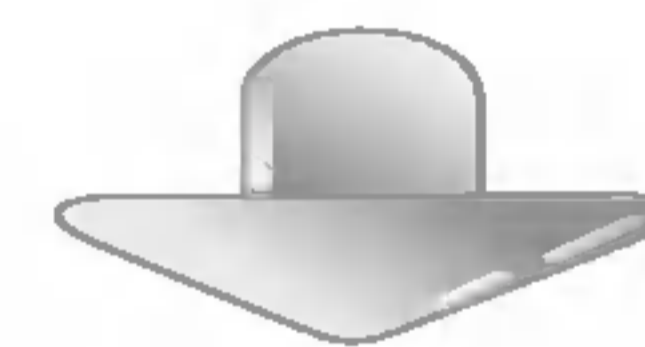


2. Dévisser les 4 boulons à l'aide de la clé fournie.



3. Enlever les 4 boulons en tournant légèrement les cales. Conserver les 4 boulons et la clé pour un usage ultérieur.

- Chaque fois que l'appareil est transporté, les boulons d'expédition doivent être remis.



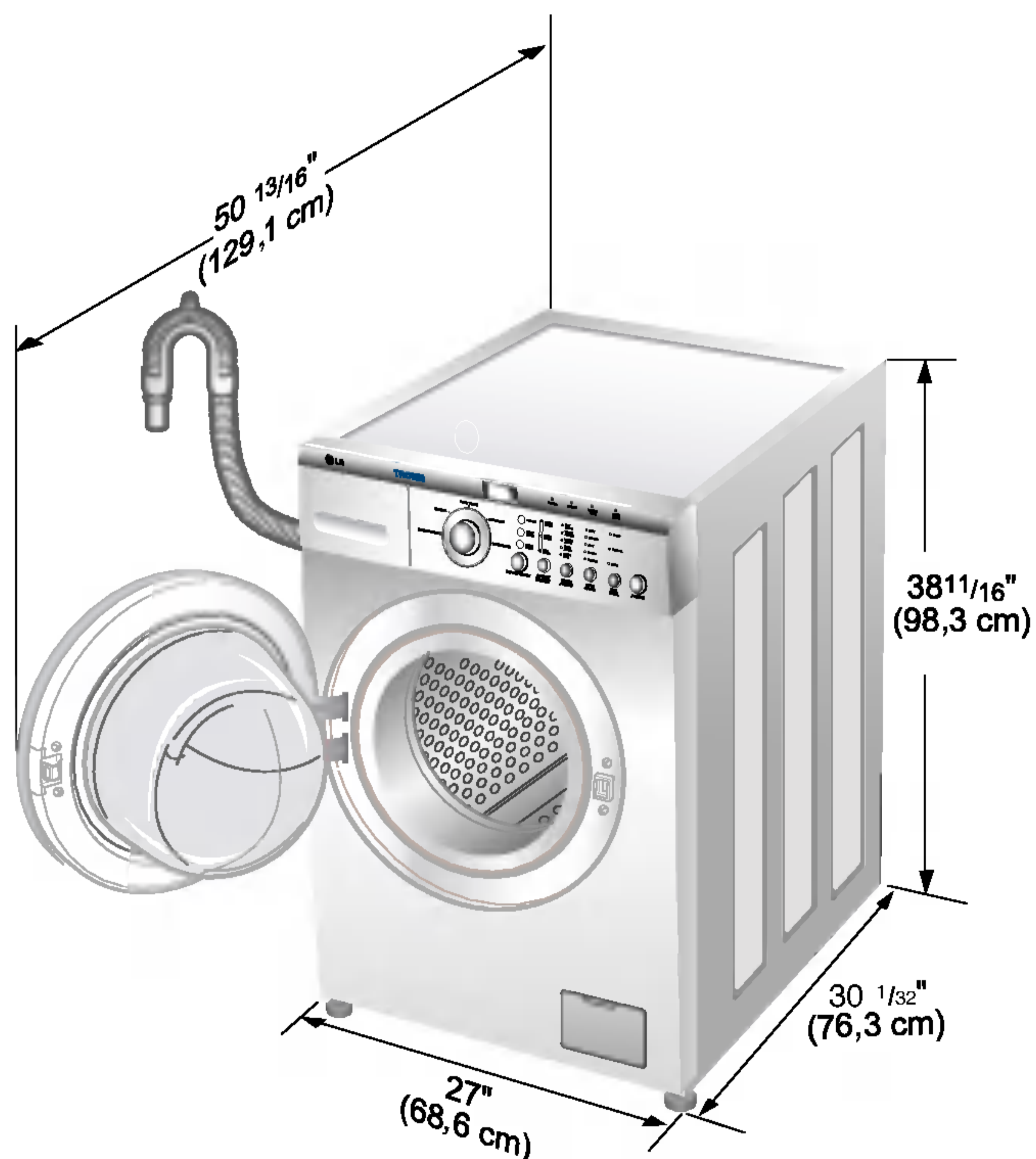
4. Boucher les trous avec les capuchons fournis.

INSTRUCTIONS D'INSTALLATION

■ Dégagements d'installation

L'emplacement doit être suffisamment grand pour permettre l'ouverture complète de la porte de la laveuse.

■ Dimensions de la laveuse



- La plupart des installations requièrent un minimum de 4 po (10 cm) de dégagement derrière la laveuse.

■ Dimensions minimales pour une installation encastrée.

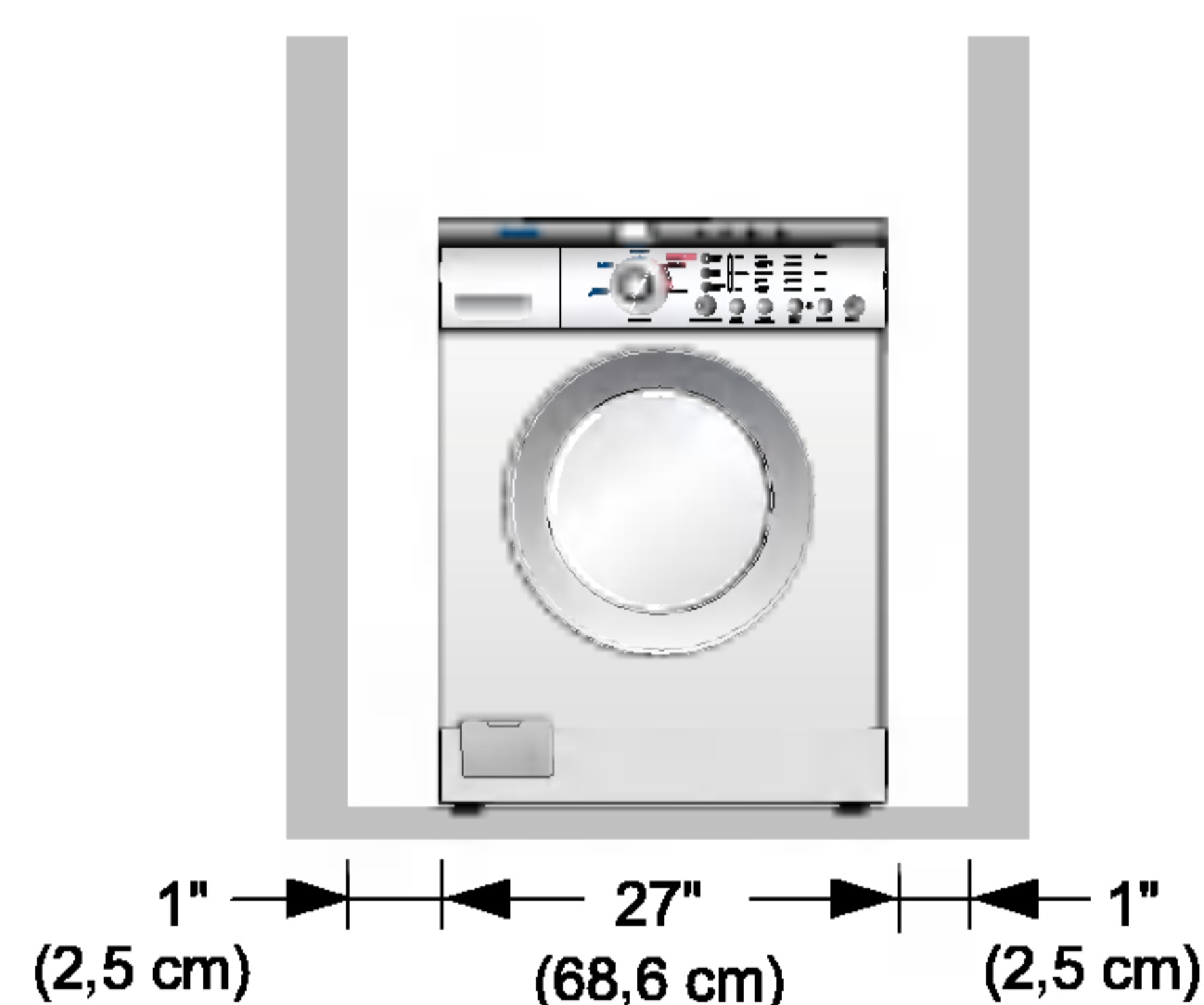
Les dimensions suivantes illustrées sont pour l'espacement minimum alloué.

- Un espacement additionnel doit être considéré pour l'installation et le service.
- Des dégagements additionnels sont requis pour les moulures de mur, de porte et le plancher.
- Un espacement additionnel de 1 po (2,5 cm) sur les côtés de la laveuse est recommandé pour réduire le transfert de bruit.

Il faut aussi prendre en considération l'espacement de l'appareil qui accompagne la sècheuse.



[Vue latérale]



[Vue avant]

■ Niveau du plancher

- Inclinaison permise sous la laveuse : 1 po (2,5 cm).
- **Afin de minimiser le bruit et les vibrations, la laveuse doit être installée sur un plancher robuste.**
- Les surfaces en carreaux souples et le tapis ne sont pas recommandés.
- Ne jamais installer la laveuse sur une plateforme ou une structure faible.

REMARQUE: Un plancher solide et ferme est encore plus important pour une laveuse à chargement frontal qu'une à chargement par le haut. Un plancher en bois ou sur charpente devra peut-être être renforcé. L'essorage se fait à plus grande vitesse sur une laveuse à chargement frontal, entraînant de plus fortes vibrations. Si le plancher n'est pas assez solide, les vibrations s'entendront et se sentiront à travers la maison.

■ Prise électrique

- Doit être à moins de 60 po (1,5 m) d'un côté ou de l'autre de la laveuse. Ne pas surcharger la prise avec plus d'un appareil.
- Fusible lent ou disjoncteur recommandé.

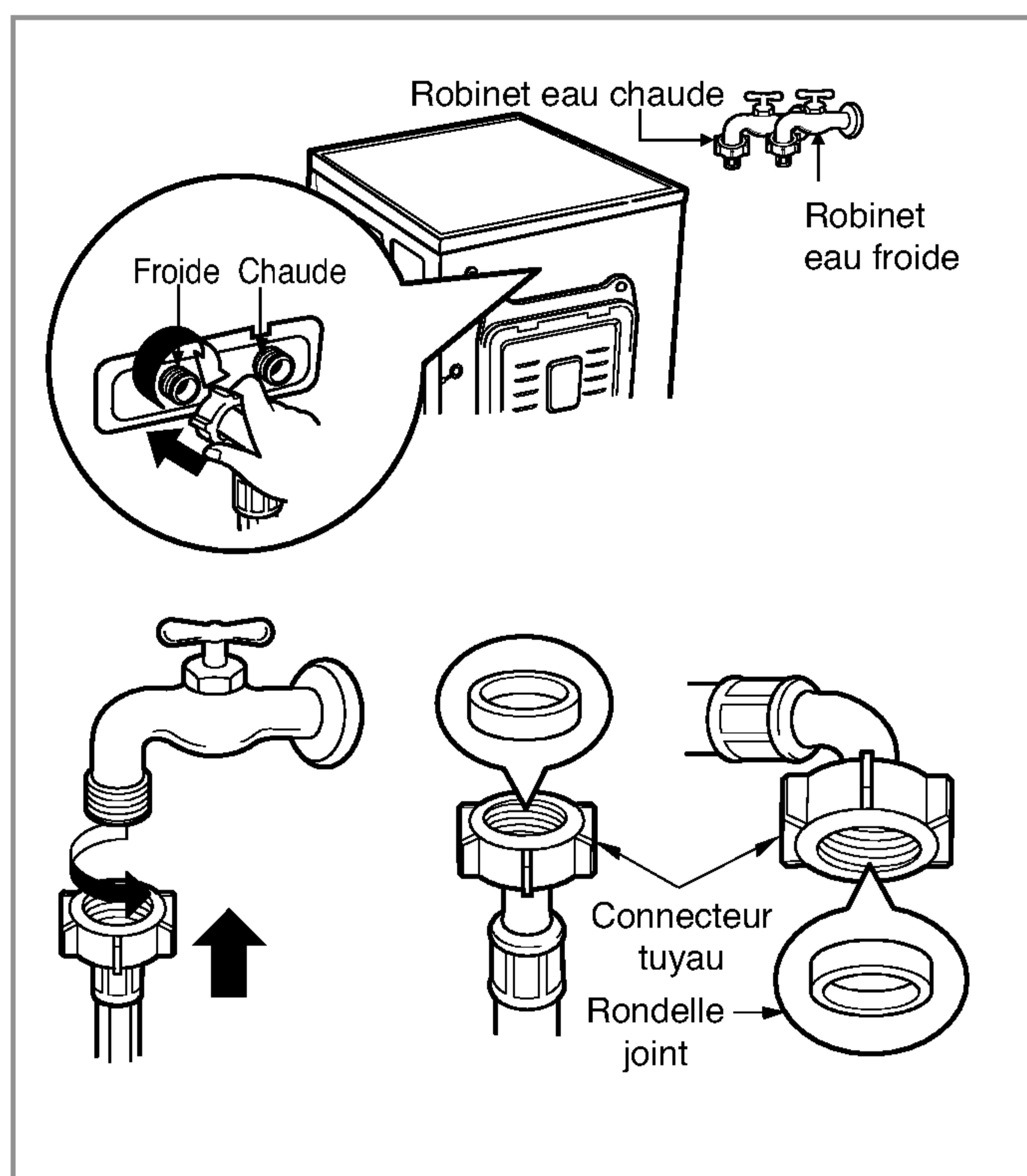
REMARQUE: Il incombe au consommateur de faire installer une prise appropriée par un électricien qualifié.

INSTRUCTIONS D'INSTALLATION

■ Connexion électrique

- Ne pas utiliser une rallonge ni un adaptateur double.
- Si l'appareil n'est pas utilisé pendant une longue période, le débrancher et fermer l'alimentation en eau.
- Si le cordon électrique est endommagé, il doit être remplacé par un personne qualifiée.
- Brancher l'appareil dans une prise de courant mise à la terre, conformément aux règlements en vigueur.
- L'appareil doit être placé de façon à ce que la fiche soit facilement accessible.

■ Connexion des tuyaux d'alimentation en eau



- La pression d'alimentation en eau doit être entre 4.5 et 116 lb/po² (30 et 800 kPa).
- Attention de ne pas foirer les filets en connectant le tuyau au robinet.
- Si la pression d'alimentation en eau est supérieure à 116 lb/po², il faut installer un dispositif de réducteur de pression.
- Deux rondelles sont fournies avec les tuyaux d'entrée d'eau pour empêcher les fuites d'eau.
- Vérifier s'il y a des fuites aux connexions de la laveuse en ouvrant complètement le robinet.
- Vérifier régulièrement l'état des tuyaux et les remplacer au besoin.
- S'assurer qu'il n'y a pas de pli dans le tuyau et qu'il n'est pas écrasé.
- S'assurer que les deux entrées d'eau sont branchées sur les robinets appropriés. Le connecteur pour l'eau chaude est rouge.

REMARQUE: La laveuse doit être branchée sur les canalisations en eau à l'aide des nouveaux tuyaux.
Ne pas utiliser les vieux tuyaux.

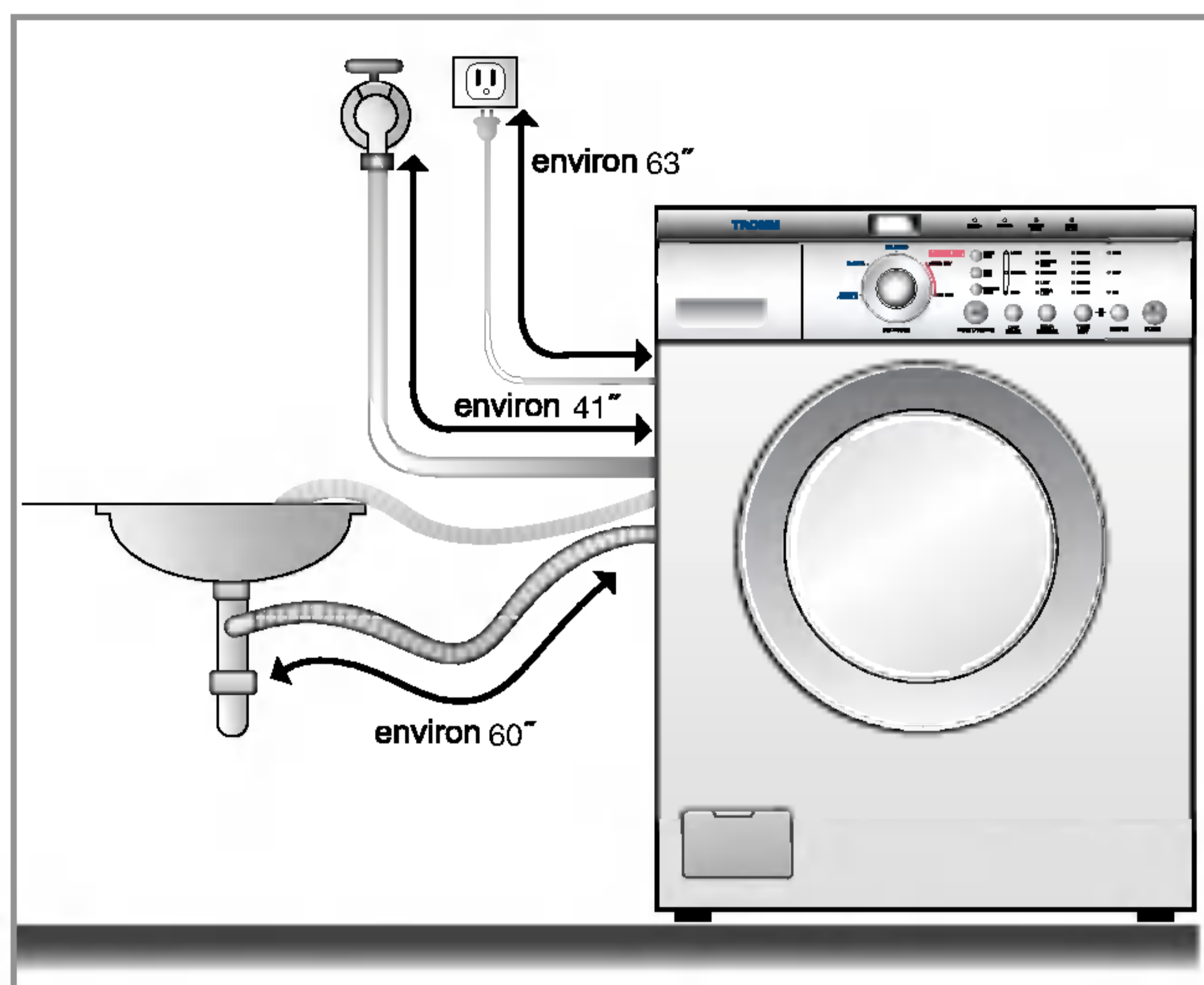
Toute réparation à la laveuse doit être effectuée par un personnel qualifié seulement. Toute réparation effectuée par une personne sans expérience peut causer un mauvais fonctionnement ou des blessures. Communiquer avec le centre de service local.

Ne pas installer la laveuse dans une pièce où les températures peuvent s'abaisser sous le point de congélation. Des tuyaux gelés peuvent éclater sous la pression. La fiabilité des contrôles électroniques peut être réduite à cause des températures très froides.

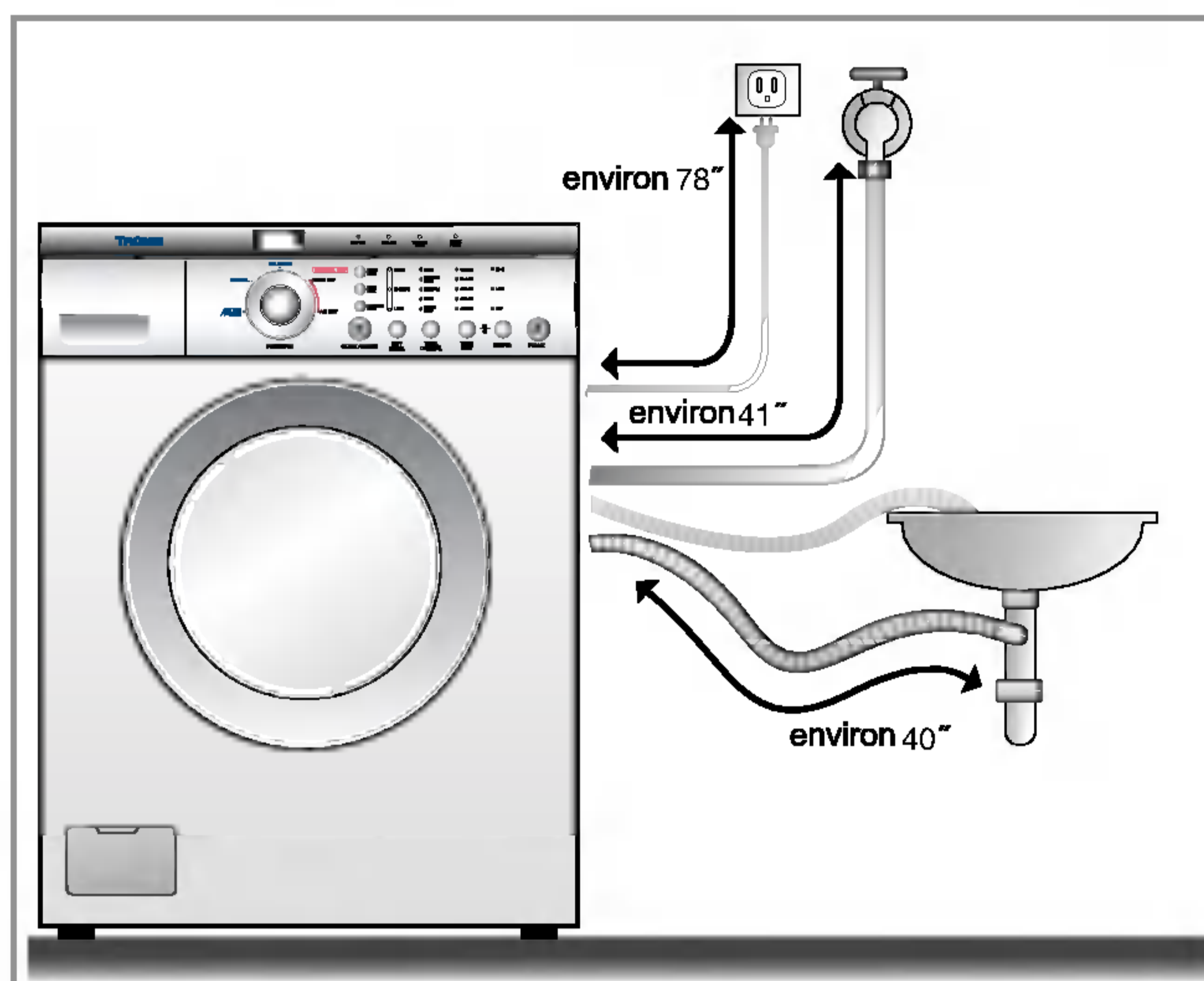
Si l'appareil est livré pendant les mois d'hiver et à des températures très froides, laisser l'appareil à la température de la pièce quelques heures avant de l'utiliser.

INSTRUCTIONS D'INSTALLATION

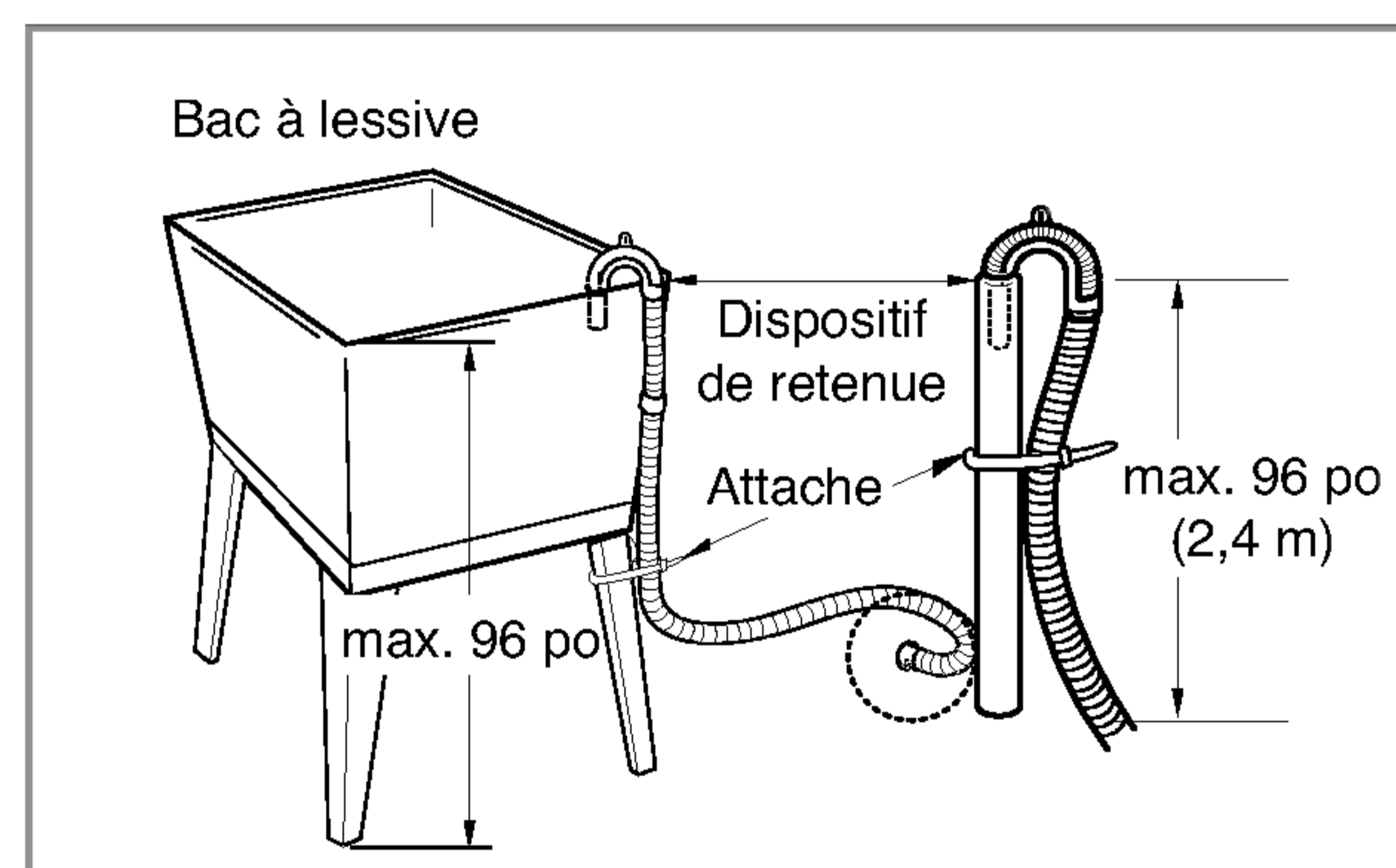
■ Installation du tuyau d'évacuation



- Placer l'extrémité du tuyau d'évacuation dans le trou du système de drain du plancher.



- Le tuyau d'évacuation ne doit pas être placé à plus de 96 po du bas de la laveuse.
- Fixer le tuyau d'évacuation solidement pour empêcher tout dommage d'eau sur le plancher.



- Au moment d'installer le tuyau d'évacuation sur un bac, le fixer solidement afin qu'il ne puisse se défaire et causer une inondation ou des dommages.
- En fixant solidement le tuyau d'évacuation au bac, on évitera les dégâts d'eau.

Cet équipement n'est pas destiné à un usage maritime ou aux installations mobiles comme dans une roulotte, un avion, etc.

Fermer le robinet si l'appareil n'est pas utilisé pendant une longue période (ex.: vacances).

Au moment de jeter l'appareil, couper le câble d'alimentation et détruire la fiche. Désactiver le verrouillage de la porte pour empêcher les jeunes enfants d'être coincés à l'intérieur.

Le matériel d'emballage (ex.: pellicule, styromousse) peut être dangereux pour les enfants. Il y a un risque de suffocation! Garder hors de la portée des enfants.

INSTRUCTIONS D'INSTALLATION

■ Mise au niveau



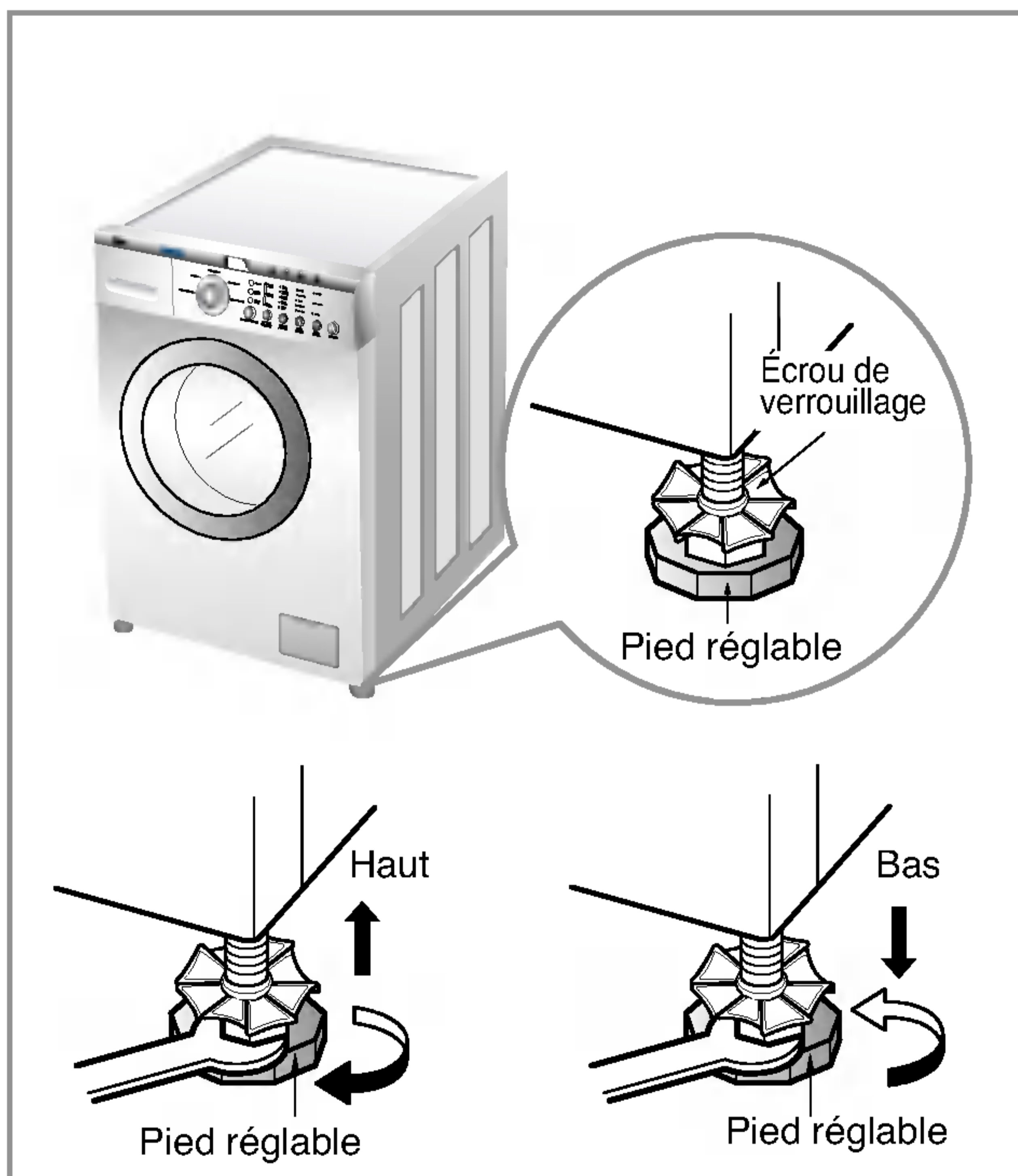
- Mettre la laveuse de niveau de façon appropriée pour empêcher les bruits et vibrations excessifs. Installer l'appareil sur une surface de niveau et solide, préférablement dans le coin d'une pièce.
- Si le plancher n'est pas de niveau, ajuster les pieds réglables au besoin. (Ne pas insérer de cales de bois ou autres sous les pieds.)

REMARQUE: Ne pas allonger les pieds niveleurs plus que nécessaire pour mettre la laveuse de niveau. Plus les pieds sont allongés, plus la laveuse vibre.

- S'assurer que les quatre pieds sont stables et reposent sur le plancher, puis vérifier si l'appareil est bien de niveau à l'aide d'un niveau.
- Une fois la laveuse au niveau, serrer les écrous de verrouillage contre la base de la laveuse. Tous les écrous de verrouillage doivent être serrés.
- Il est essentiel que les pieds soient bien réglés. Ceci doit être fait pendant que la laveuse essore avec une charge. Utiliser la clé (fournie) pour régler les pieds jusqu'à ce qu'il n'y ait plus de vibrations. Ensuite serrer les écrous de verrouillage pour empêcher tout autre changement.

REMARQUE: S'il y a des vibrations et du bruit pendant le cycle d'essorage, vérifier de nouveau le niveau de la laveuse, régler les pieds au besoin et serrer les écrous de verrouillage solidement afin d'empêcher les changements de réglage.

Effectuer un test de la laveuse pour s'assurer qu'elle est bien au niveau. Mettre environ 6 lb de vêtements dans l'appareil. Presser **POWER** (alimentation), **RINSE+SPIN** (rinçage + essorage) et **START/PAUSE** (marche/pause), dans cet ordre. Lorsque l'appareil essore à haute vitesse, s'assurer que la laveuse est stable. Sinon, régler les pieds de façon appropriée.



* Vérification diagonale

En pressant les bords du dessus de la laveuse selon la diagonale, l'appareil ne devrait pas bouger (vérifier dans les deux sens). Si l'appareil bascule, régler les pieds de nouveau.



! AVERTISSEMENT

Pour réduire les risques d'incendie, de choc électrique ou de blessure, lire les **INSTRUCTIONS IMPORTANTES DE SÉCURITÉ** avant de faire fonctionner l'appareil.

1. Étiquettes d'entretien

Vérifier l'étiquette d'entretien des vêtements. Elle indique la teneur en fibres et la façon de laver le vêtement.

2. Triage

Pour obtenir de meilleurs résultats, trier les vêtements pouvant être lavés au même cycle.

Différents tissus doivent être lavés de différentes façons.

Toujours trier les couleurs foncées des couleurs pâles et des blancs. Laver séparément puisque la teinture et la charpie peuvent causer un transfert sur les blancs, etc. Si possible, ne pas laver des articles très sales avec des articles peu sales.

Saleté (très sale, normal, légère)

Séparer les vêtements selon la quantité de saleté.

Couleurs (blancs, pâles, foncées)

Séparer les tissus blancs des tissus de couleur.

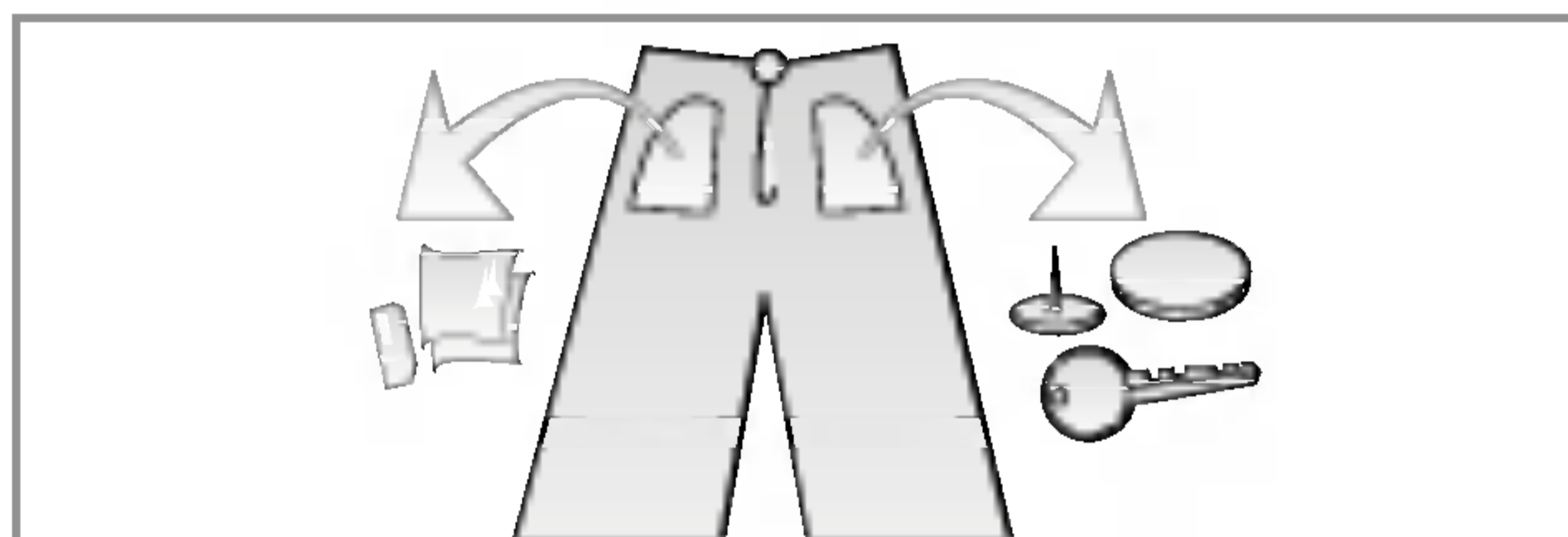
Charpie (producteur, collecteur)

Laver séparément les articles producteurs de charpie de ceux qui l'attirent.

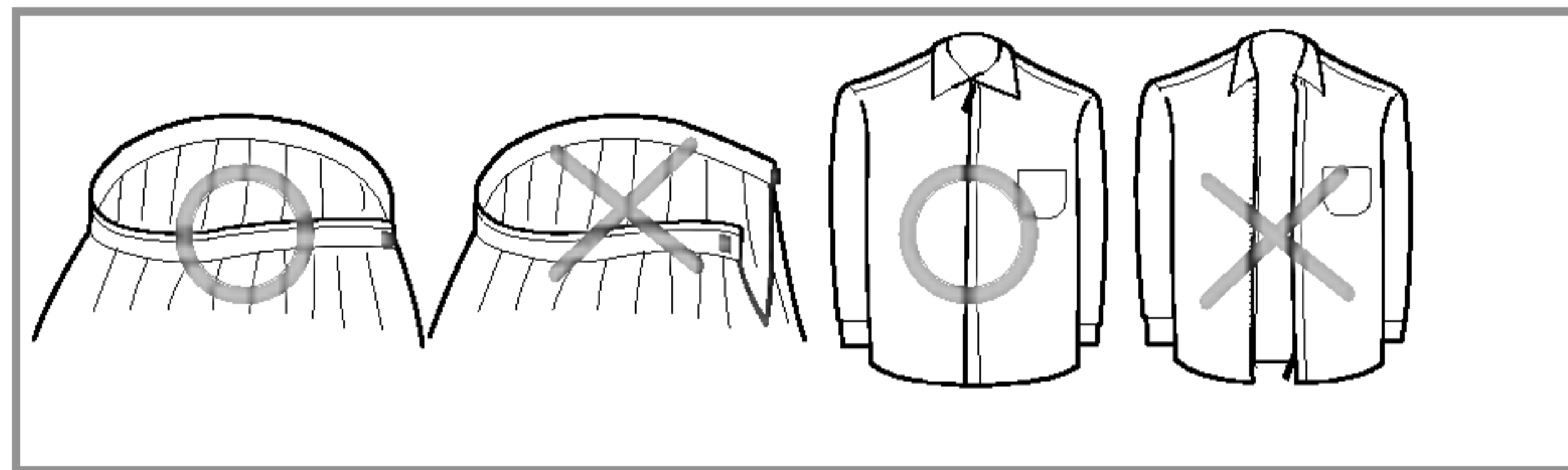
3. Vérifier avant de charger

Combiner de petits et de gros articles dans une charge. Charger les gros articles d'abord. Ils ne doivent pas représenter plus de la moitié de la charge totale.

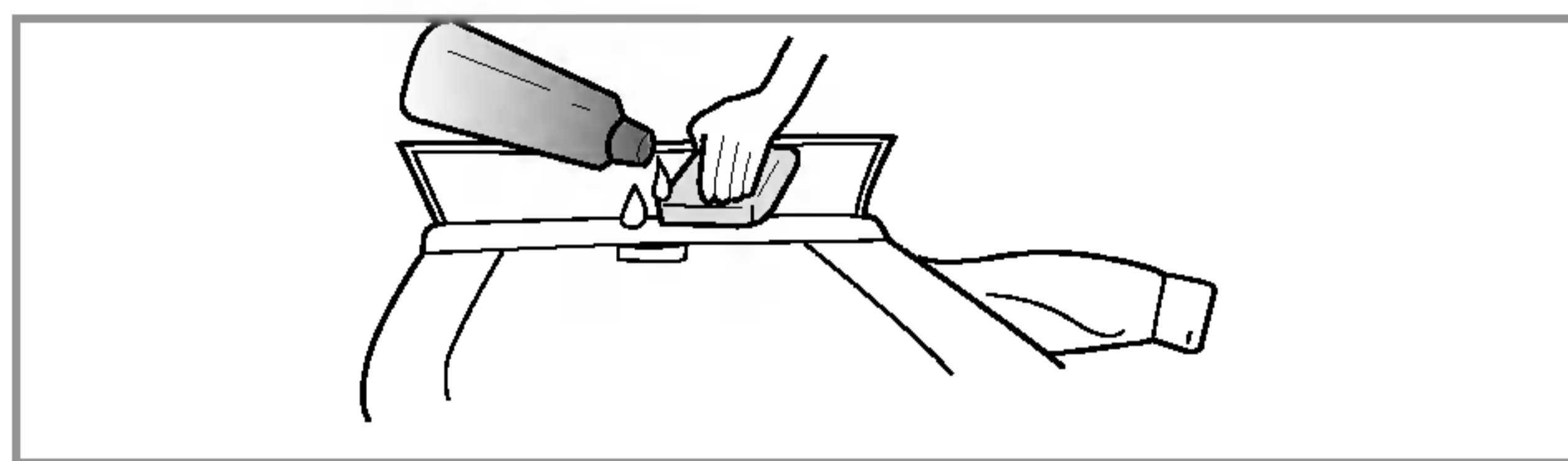
Ne pas laver des articles uniques. Ceci peut causer un déséquilibre de la charge. Ajouter un ou deux articles semblables.



- S'assurer que les poches sont vides. Des articles comme des clous, pinces à cheveux, allumettes, stylos, monnaie et clés peuvent endommager la laveuse et les vêtements.



- Fermer les glissières, les crochets et attaches afin qu'ils ne s'accrochent pas dans les vêtements.



- Prétraiter la saleté et les taches en frottant un peu de détergent dissout dans l'eau sur les cols et les poignets.

REMARQUE: Ne pas laver ni essorer des vêtements imperméables.

UTILISATION DU DISTRIBUTEUR

Le distributeur automatique comprend quatre compartiments 1) javellisant, 2) assouplissant, 3) détergent liquide ou en poudre pour le prélavage et 4) détergent liquide ou en poudre et javellisant non décolorant pour le lavage principal.

Tous les produits de lessive peuvent être ajoutés à la fois dans les compartiments respectifs du distributeur. Ils seront distribués au moment approprié pour un nettoyage efficace. Après avoir versé les produits, fermer le couvercle du distributeur.

Ajouter détergent, javellisant et assouplissant dans le distributeur comme suit:

1. Ouvrir le couvercle.
2. Verser les produits de lessive.
3. Fermer le couvercle.

■ En ce qui concerne le détergent



Conçu exclusivement pour les détersifs HE (haute efficacité)

Seuls des détersifs haute efficacité devraient être utilisés dans une laveuse LG TROMM.

Les détersifs HE sont spécialement conçus pour les laveuses à hublot frontal et contiennent des composés réducteurs d'émulsion.

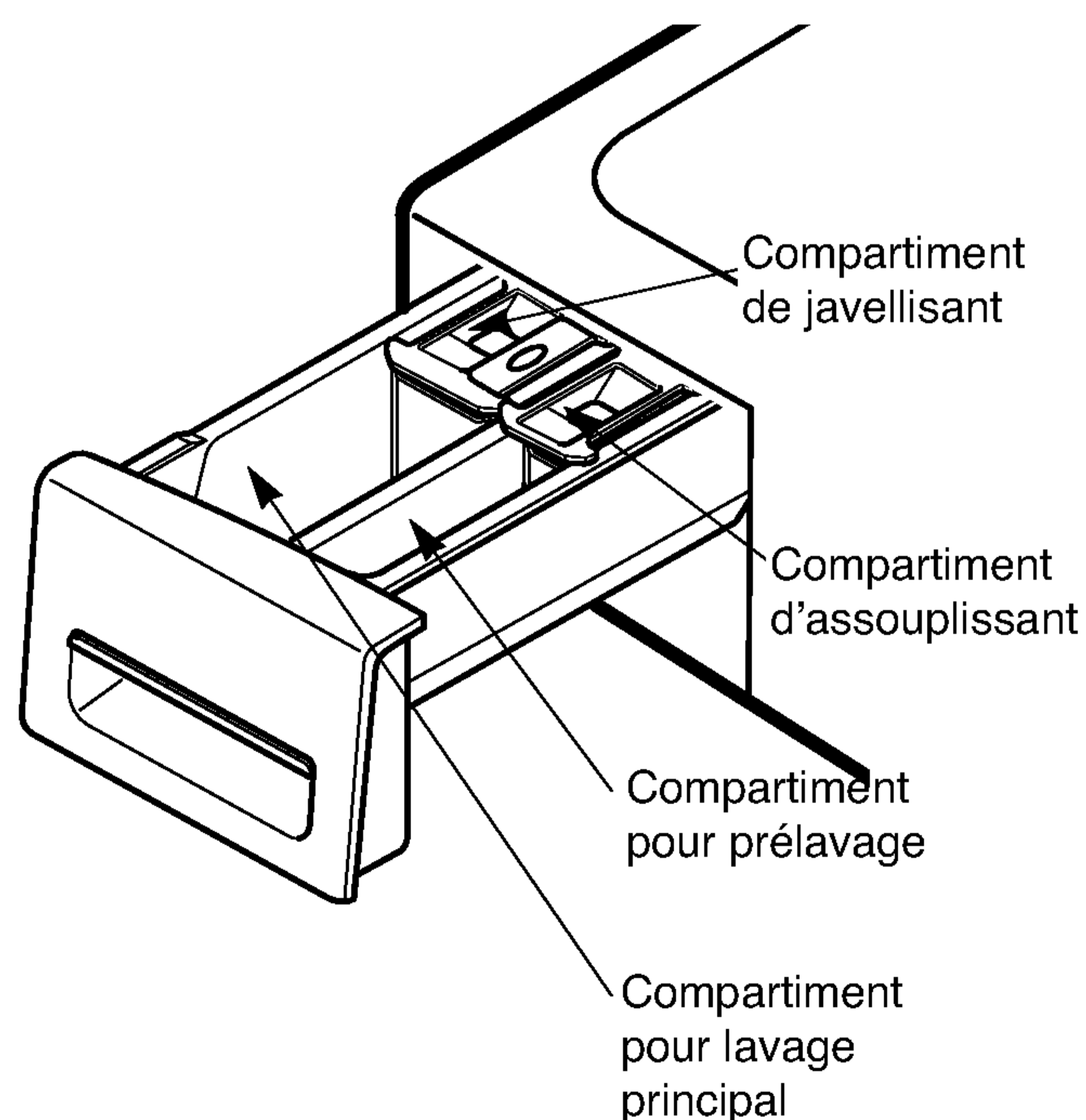
Les détersifs HE produisent moins de mousse, améliorant le rendement de la lessive et du rinçage.

Ils aident aussi à garder propre, l'intérieur de votre laveuse LG TROMM.

Utiliser un détersif régulier risque de produire un moussage excessif et réduire l'efficacité.

Des détersifs HE sont fortement recommandés pour assurer une lessive et un rinçage optimaux.

REMARQUE: Le détergent liquide se déverse dans le tambour de la laveuse lorsqu'il est ajouté.



1. Compartiment pour détergent de prélavage

- Ajouter le détergent dans ce compartiment pour l'option prélavage. Un détergent liquide ou en poudre peut être utilisé. Il se déverse automatiquement pendant le prélavage si cette option est sélectionnée.
- Ajouter la moitié de la quantité recommandée de détergent dans le compartiment de prélavage et la quantité recommandée pour le compartiment du lavage principal.

2. Compartiment pour lavage principal

- Ajouter le détergent mesuré dans ce compartiment pour le lavage principal. Il est distribué au début du cycle. Un détergent en poudre ou liquide peut être utilisé.
- Le javellisant liquide ou en poudre non décolorant peut être ajouté dans le compartiment de lavage principal avec le même type de détergent, liquide ou en poudre.

REMARQUE: Si l'on utilise l'option pré-lavage avec le lavage principal, du détergent en poudre doit être utilisé dans le compartiment de lavage principal puisque le détergent liquide se déverse dans le tambour lorsque ajouté.



Conçu exclusivement pour les détergers HE (haute efficacité)

3. Compartiment de javellisant

- Ajouter le javellisant liquide mesuré dans ce compartiment. Le javellisant est automatiquement déversé au moment approprié du cycle.
- Ne pas excéder la ligne maximale de remplissage. Trop de javellisant peut endommager les vêtements.
- Ne pas verser de javellisant liquide non dilué directement sur la charge ou dans le tambour. Cela peut endommager les tissus.
- Ne pas utiliser de javellisant en poudre dans ce compartiment.

4. Compartiment d'assouplissant

- Ajouter la quantité recommandée dans ce compartiment.
- Diluer les assouplissants concentrés avec de l'eau tiède jusqu'à la ligne de remplissage.
- Ne pas excéder la ligne de remplissage. Trop d'assouplissant peut causer un déversement prématuré pouvant tacher les tissus.
- Ne pas verser directement dans la charge.
- L'assouplissant sera automatiquement déversé pendant le cycle de rinçage.

REMARQUE: Ne pas placer, ranger ni verser de produits pour lessive (savon, détergent, javellisant, assouplissant, etc.) sur le dessus de la laveuse ou de la sécheuse. Ces produits peuvent endommager le fini ainsi que les contrôles.

CYCLES

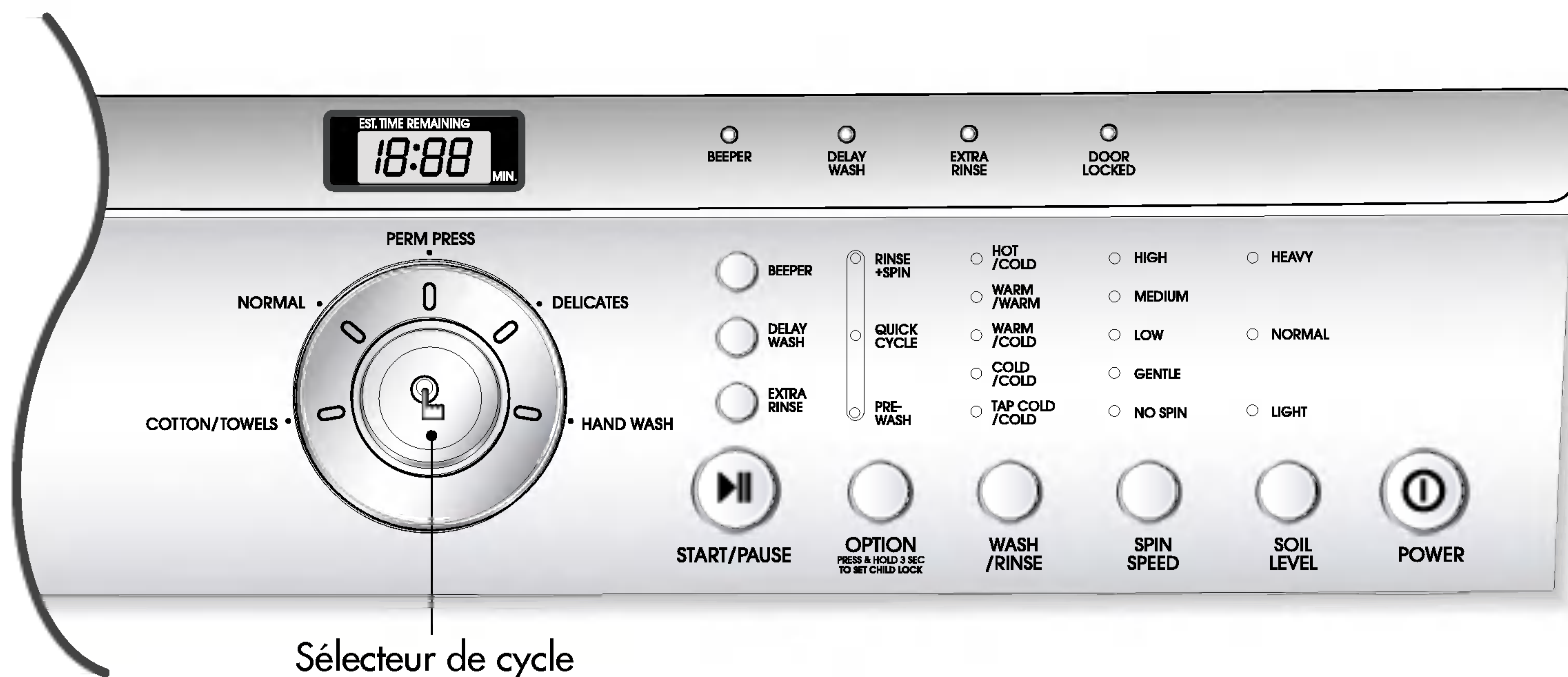
- Sélectionner les cycles en fonction des types de tissus et du degré de saleté.

Type	Type de tissu	Temp. lavage /rinçage	Vitesse essorage	Niveau saleté	Préla vage	Cycle rapide	Extra rinçage	Rinçage+ essorage	Détection de charge ¹⁾
Coton/ serviettes (Cotton/ Towels)	Coton, serviettes, chemises	Tiède/ Froid	Élevé	Normale					
		Tiède/ Tiède Chaud/ Froid Froid/ Froid du robinet Froid/ Froid	Sans essorage Bas Moyen	Très Légère	○	○	○	○	○
Normal (Normal)	Charge mixte, vêtement de travail, jeans, chemises	Tiède/ Froid	Élevé	Normale					
		Tiède/ Tiède Chaud/ Froid Froid/ Froid du robinet Froid/ Froid	Sans essorage Bas Moyen	Très Légère	○	○	○	○	○
Pressage permanent (Perm Press)	Chemises, pantalon, vêtement sans froissement, poly/coton	Tiède/ Froid	Moyen	Normale					
		Tiède/ Tiède Chaud/ Froid Froid/ Froid du robinet Froid/ Froid	Élevé Sans essorage Délicat Bas	Très Légère	○	○	○	○	
Délicat (Delicates)	Chemise, blouse, nylon, voilage, etc.	Froid/ Froid	Bas	Normale					
		Tiède/ Froid Tiède/ Tiède Froid/ Froid du robinet	Moyen Sans essorage Délicat	Très Légère	○	○	○	○	
Lavable à la main (Hand Wash)	Articles lavables à la main	Froid/ Froid	Délicat	Normal					
		Tiède/ Froid Tiède/ Tiède Froid / Froid du robinet	Bas Moyen Sans essorage	Légère		○	○	○	

1) Détection de charge de lavage automatique (poids):

Détecte automatiquement la charge et optimise le temps de lavage. Une fois la charge détectée, le temps restant du cycle s'affiche.

UTILISATION DE LA LAVEUSE



Sélecteur de cycle

1. Power (Alimentation)

- Utiliser cette touche pour mettre en circuit ou hors circuit.

2. Cycles

- Appuyer sur le sélecteur de cycle pour choisir le cycle en fonction du type de tissu et du degré de saleté.
- Chaque cycle a une température pré réglée de lavage, une vitesse d'essorage, niveau de saleté et option (voir page 34).
- Le réglage pré réglé peut être modifié en tout temps avant la mise en marche.

REMARQUE: Cette laveuse à chargement frontal requiert une durée de cycle plus longue et nettoie mieux tout en étant plus délicate avec les tissus que les laveuses à chargement sur le dessus. La durée de lavage peut être réduite de façon significative pour les petites charges ou les charges moins sales en sélectionnant le cycle rapide avec la touche option et en réglant la touche degré de saleté en position légère.

3. Start/Pause (Marche/pause)

- Utiliser cette touche pour mettre la laveuse en marche ou l'arrêter.

4. Wash/Rinse (Température Lavage/Rinçage)

- Sélectionner une température d'eau en fonction du type de charge à laver.
- Suivre les instructions sur le vêtement et le tableau ci-dessous pour de meilleurs résultats.

Température d'eau suggérée	Vêtements
Chaud 122°F (50°C)	Blanc et articles très sales grand teint
Tiède 104°F (40°C)	La plupart des charges
Froid 77°F (25°C)	Articles de couleurs vives, lainages lavables

- Les rinçages tièdes laissent les charges plus sèches que les rinçages froids. Les rinçages tièdes augmentent le froissement.
- Dans les endroits où il fait froid, un rinçage tiède rend la charge plus facile à manipuler.
- Les rinçages froids économisent l'énergie.
- La température du rinçage à froid dépend de la température de l'eau froide du robinet.
- Les rinçages tièdes sont réglés à environ 86 °F (30 °C).
- Pour le réglage de température Tap Cold/Cold (Froide/Froide du robinet), les températures de lavage et de rinçage dépendent de l'eau froide au robinet.

5. Spin Speed (Vitesse d'essorage)

- Pour changer la vitesse d'essorage, presser la touche vitesse d'essorage de façon répétitive pour passer en séquence les options disponibles.
- Pour commencer le cycle de Drain/Essorage:
 1. Presser la touche de **Power** pour s'allumer.
 2. Presser la touche vitesse d'essorage seulement.
 3. Presser **Start/Pause**.

UTILISATION DE LA LAVEUSE

6. Soil Level (degré de saleté)

- Pour modifier le degré de saleté, presser la touche Soil Level saleté de façon répétitive jusqu'au réglage désiré.

OPTION

1. Prewash (Prélavage)

- Utiliser cette option pour les charges qui doivent être prétrempées. Ajoute 16 minutes de prélavage et de vidage.

REMARQUE: Lorsque l'option prélavage est utilisée, ne pas utiliser de détergent liquide dans le compartiment de lavage principal. Utiliser du détergent en poudre dans le compartiment de lavage.

2. Quick Cycle (Cycle rapide)

- Ce cycle offre une durée de cycle rapide.
- Suggéré pour rafraîchir les vêtements achetés ou les vêtements qui ont été emballés.

3. Rinse+Spin (Rinçage + essorage)

- Utiliser cette option pour rincer puis essorer.

4. Extra Rinse (Extra rinçage)

- Cette option offre un rinçage additionnel.
- Utiliser cette option pour s'assurer que tout le détergent ou le javellisant a été enlevé des vêtements.

5. Delay Wash (Lavage différé)

- Permet de mettre en marche le cycle de façon différée de 1 à 9 heures.
- Faire les sélections appropriées pour la charge, presser ensuite la touche **Delay Wash** une fois pour une heure ou presser de nouveau pour augmenter le différé jusqu'à 9 heures, en tranches d'une heure.

6. Beeper (Tonalité)

- Utiliser cette touche pour mettre la sonnerie en ou hors circuit.

EST. TIME REMAINING (TEMPS RÉSIDUEL ESTIMÉ)

- Cet affichage montre:
 - a) le temps résiduel estimé du cycle en fonction.
 - b) le code erreur lorsqu'une erreur est détectée.

CHILD LOCK (VERROUILLAGE ENFANT)



- Utiliser cette option pour empêcher une utilisation non désirée de l'appareil. Presser et maintenir la touche **Option** pendant 3 secondes pour verrouiller/déverrouiller.
- Lorsque le VERROUILLAGE ENFANT est réglé, " [L] " clignote et toutes les touches sont désactivées à l'exception de la touche **Power**.

DOOR LOCKED (VERROUILLAGE DE PORTE)

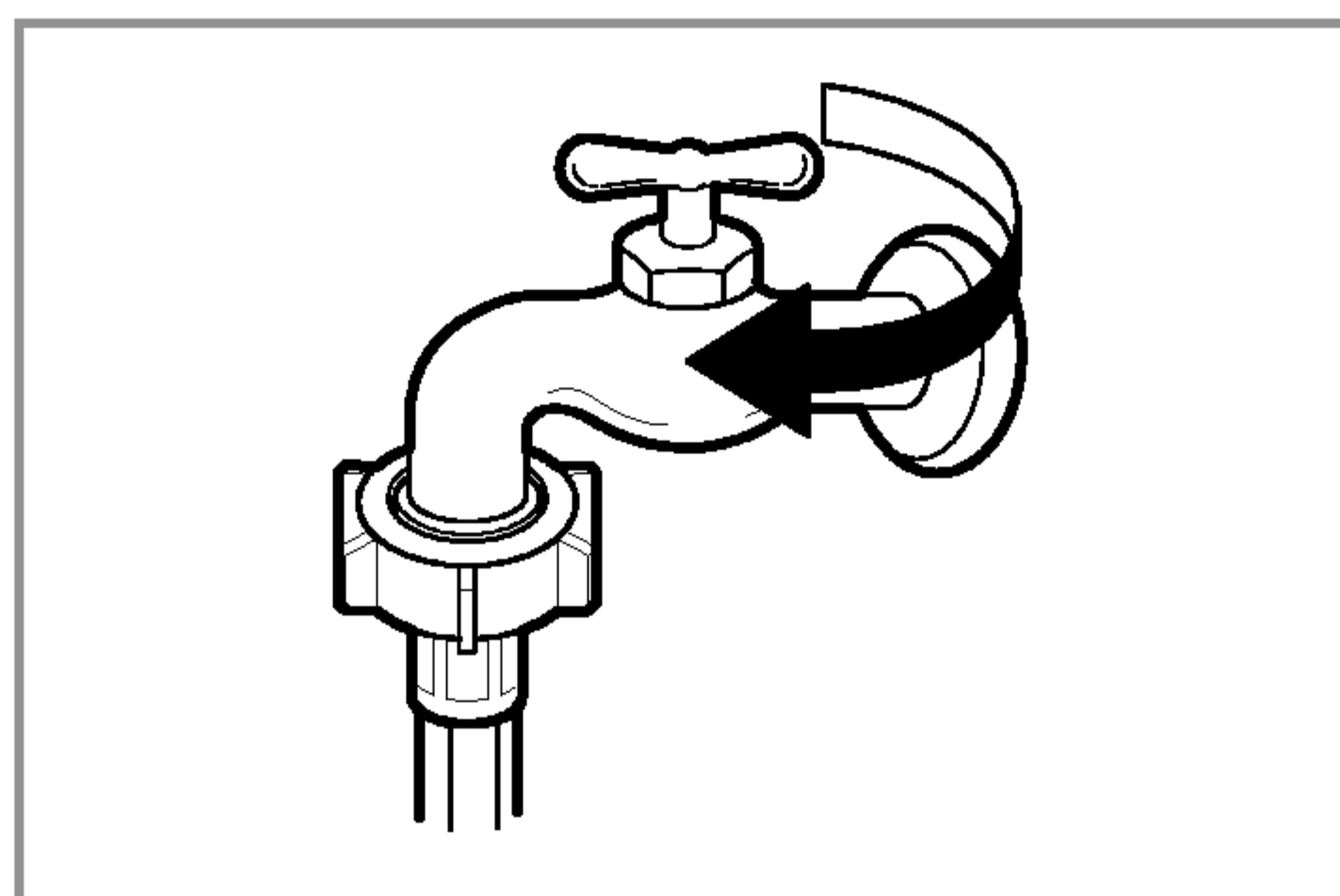
- S'allume lorsque la porte de la laveuse est verrouillée.
- La porte peut être déverrouillée en pressant la touche **Start/Pause** pour arrêter la laveuse.

REMARQUE: Si la température et le niveau d'eau sont trop élevés, la porte ne peut pas être déverrouillée. Ne pas tenter d'ouvrir la porte par la force lorsque le voyant **DOOR LOCKED** (porte verrouillée) est allumé.

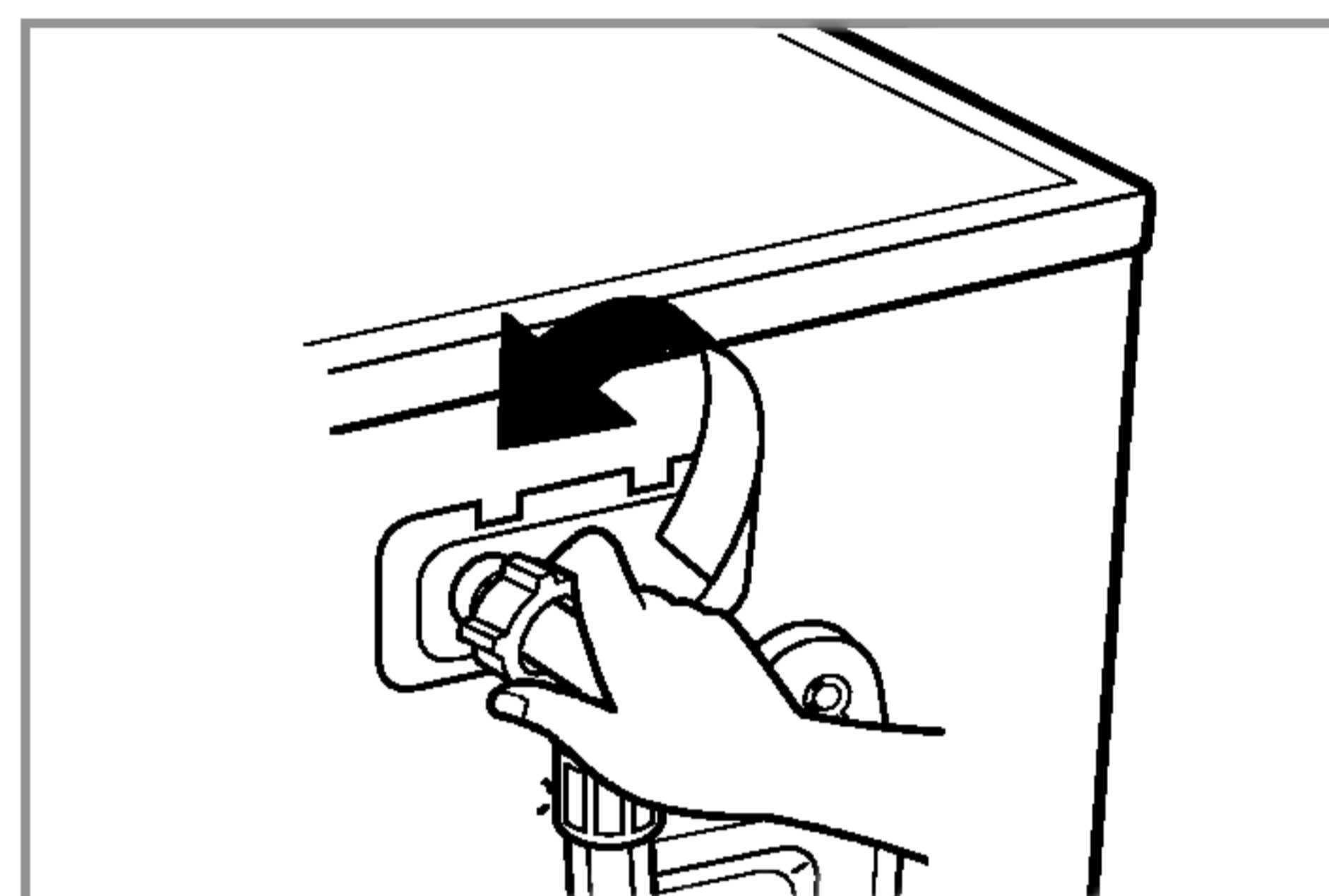
Avant de nettoyer l'intérieur de la laveuse, débrancher le cordon d'alimentation pour éviter tout choc électrique et risques. Au moment de jeter l'appareil, couper le câble d'alimentation et détruire la fiche. Désactiver le verrouillage de porte pour empêcher les enfants de rester coincés à l'intérieur.

■ Filtre d'entrée d'eau

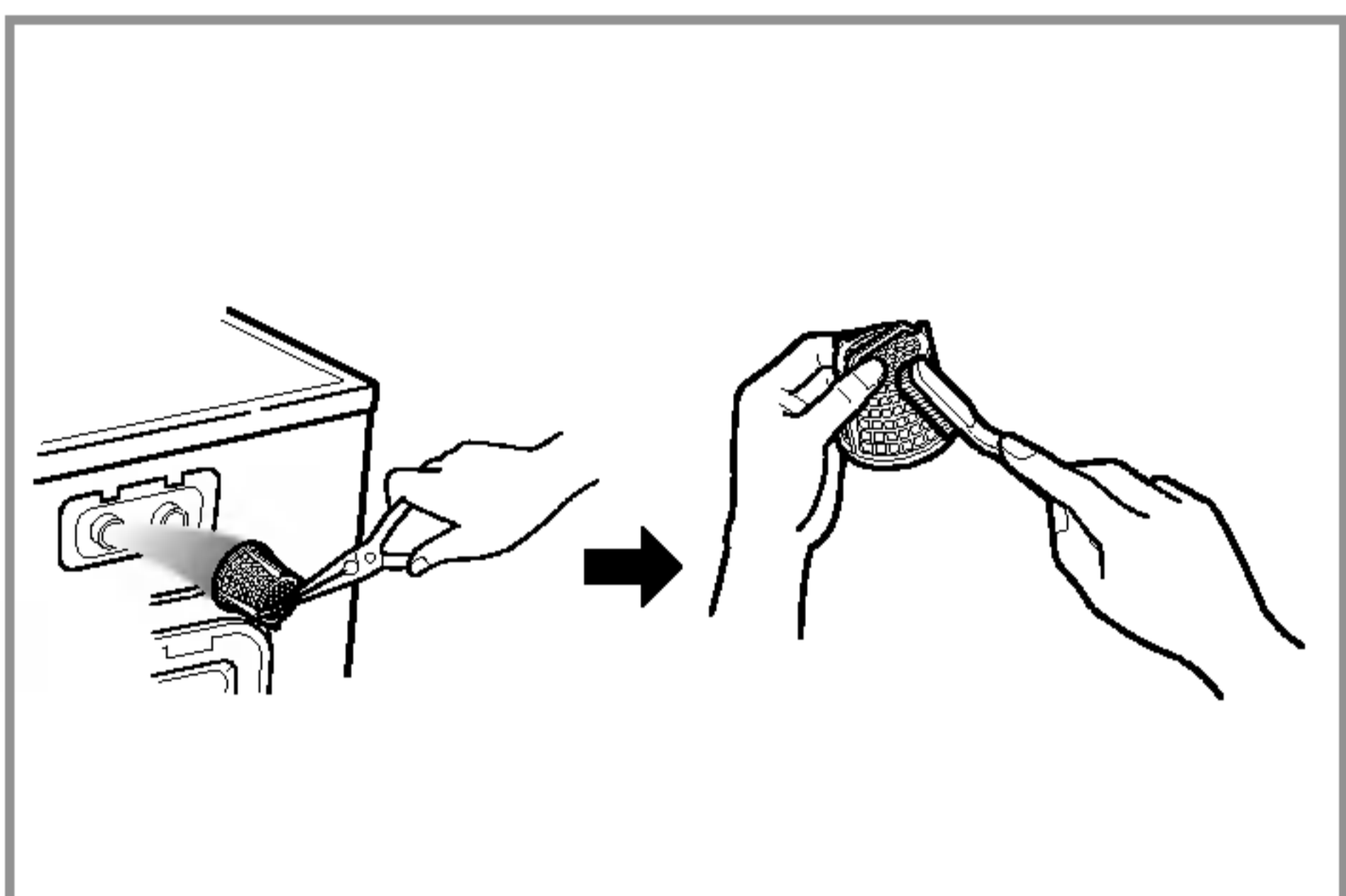
- Le message d'erreur " **!E** " clignote sur le panneau de contrôle lorsque l'eau n'entre pas.
- Si l'eau est très calcaire ou contient des traces de dépôt, le filtre d'entrée d'eau peut être obstrué. Il est préférable de le nettoyer de temps à autre.



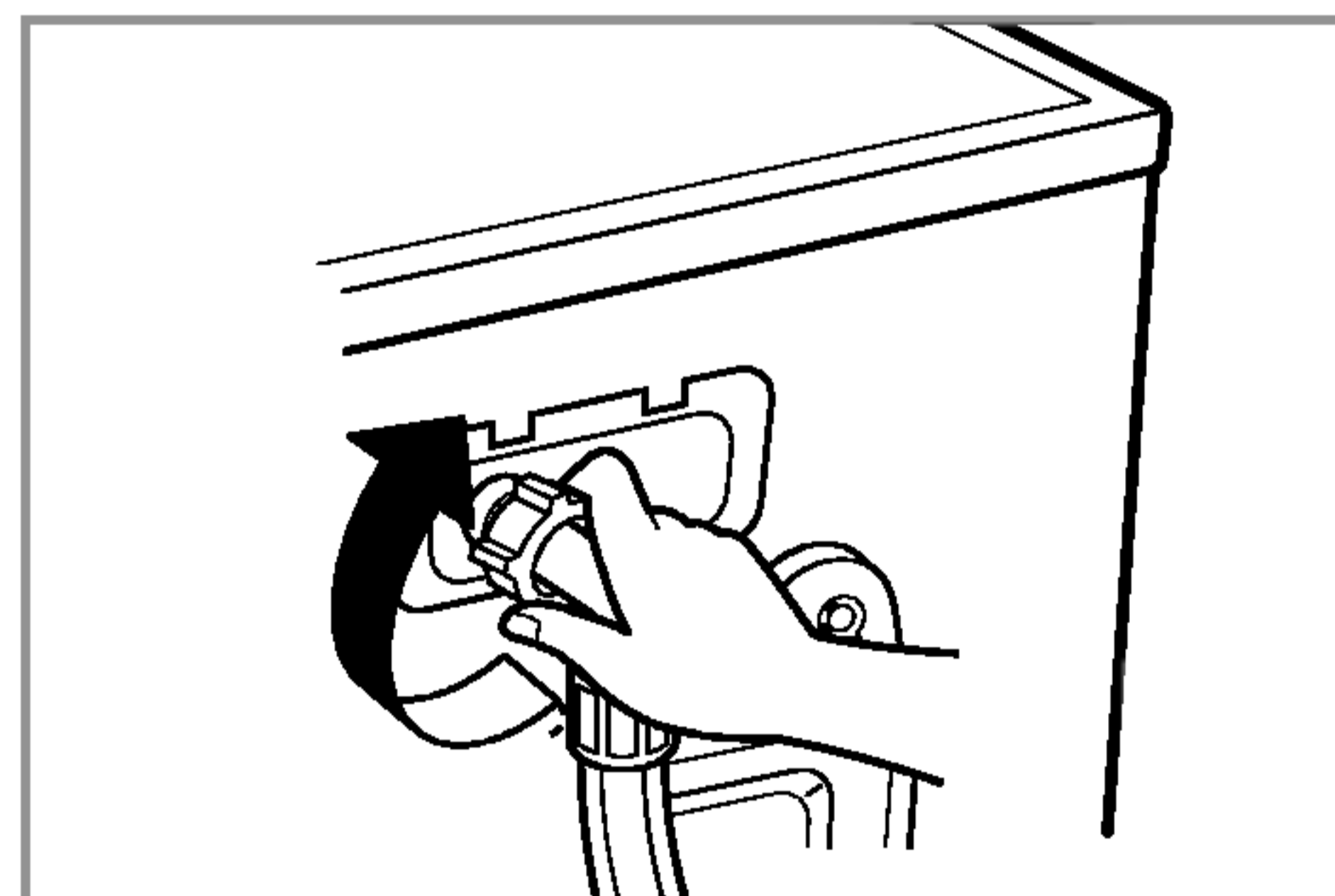
1. Fermer le robinet d'eau.



2. Dévisser le tuyau d'entrée d'eau.



3. Nettoyer le filtre à l'aide d'une brosse à poils durs.



4. Visser le tuyau d'entrée.

■ Filtre de pompe de drain

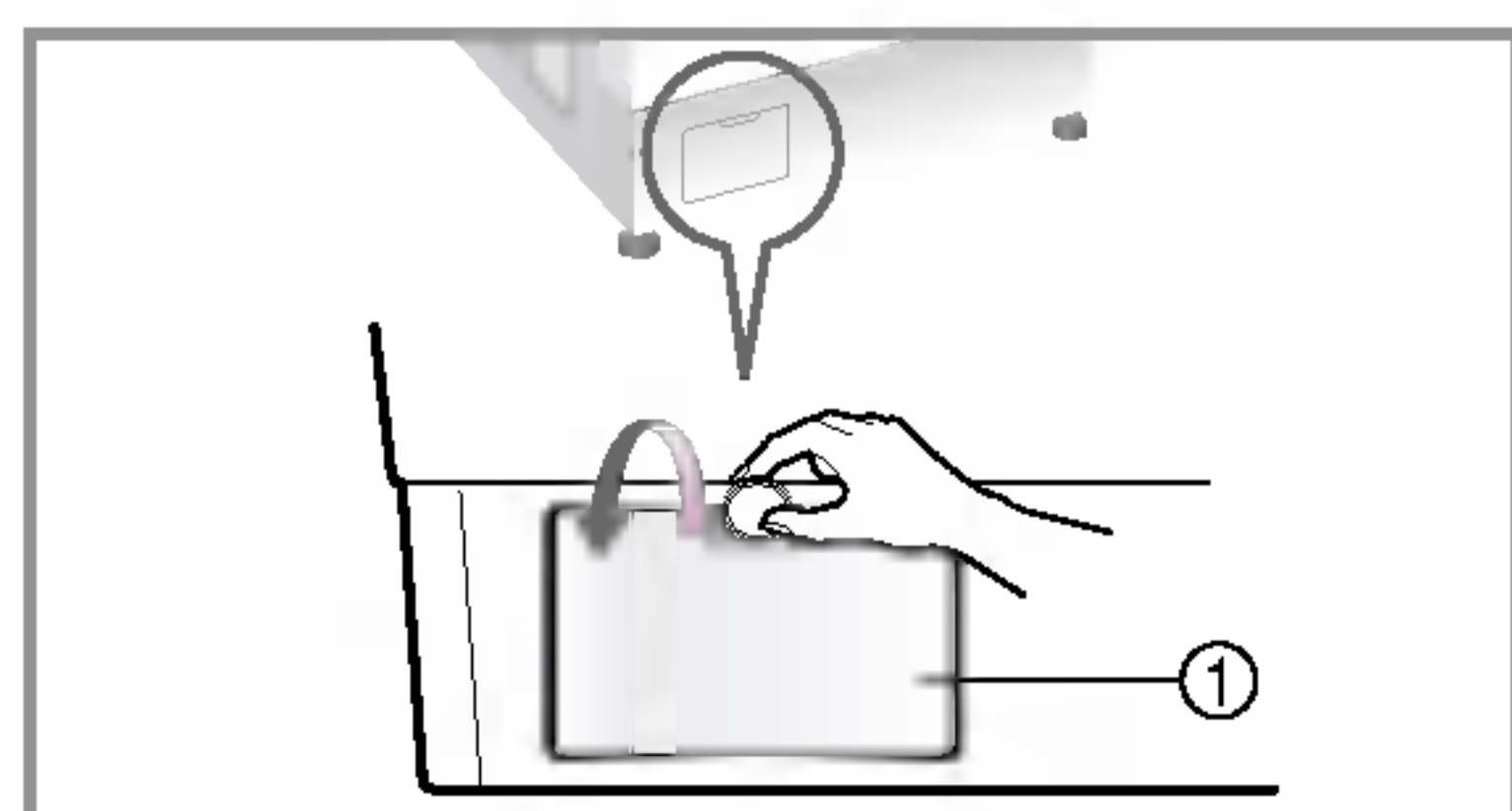
- Ce filtre recueille les fils et petits objets laissés dans la charge. Vérifier régulièrement si le filtre est propre pour assurer un bon fonctionnement de l'appareil.

! ATTENTION

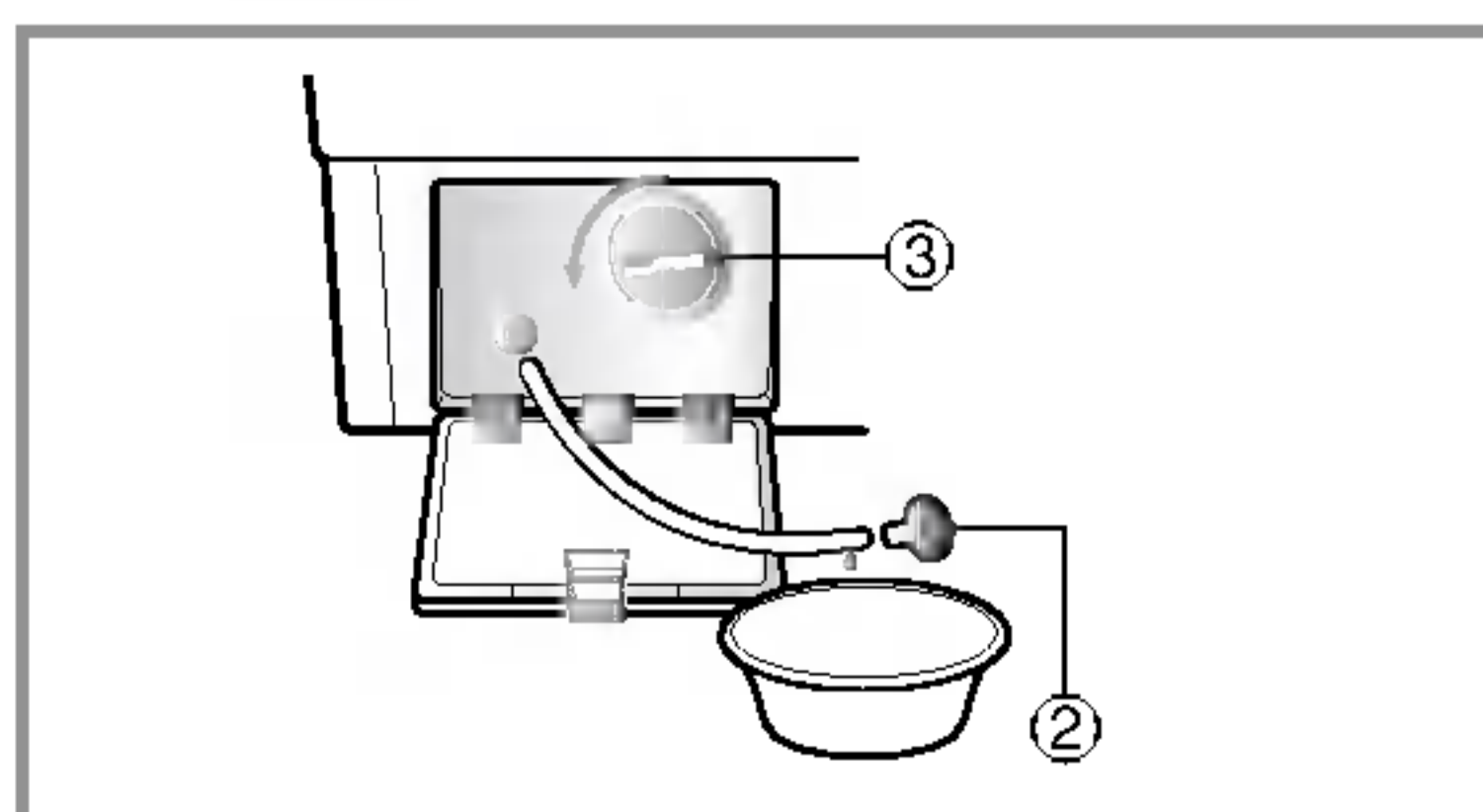
Vidanger, à l'aide du tuyau d'évacuation, avant d'ouvrir le filtre de pompe pour enlever les objets. Faire attention au moment de vider si l'eau est chaude.

- Laisser l'eau refroidir avant de nettoyer la pompe de drain.

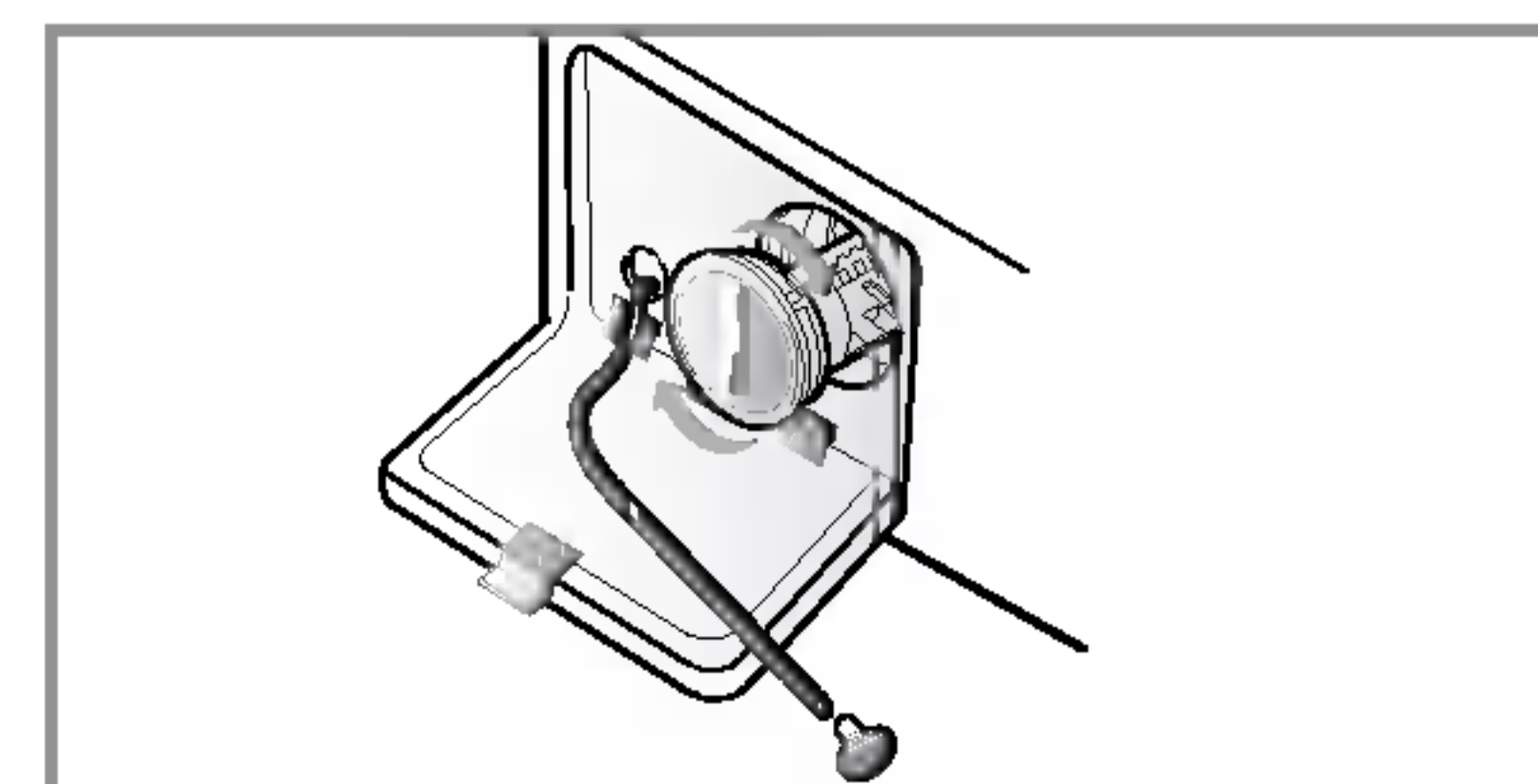
1. Ouvrir le couvercle inférieur (1) avec un outil comme une pièce de monnaie. ①. Tourner le bouchon de drain ② pour tirer le tuyau.



2. Enlever le bouchon de drain ②, laissant l'eau se vider. À ce moment, utiliser un bac pour empêcher l'eau de couler sur le plancher. Lorsque l'eau ne coule plus, tourner le filtre de pompe ③ vers la gauche.

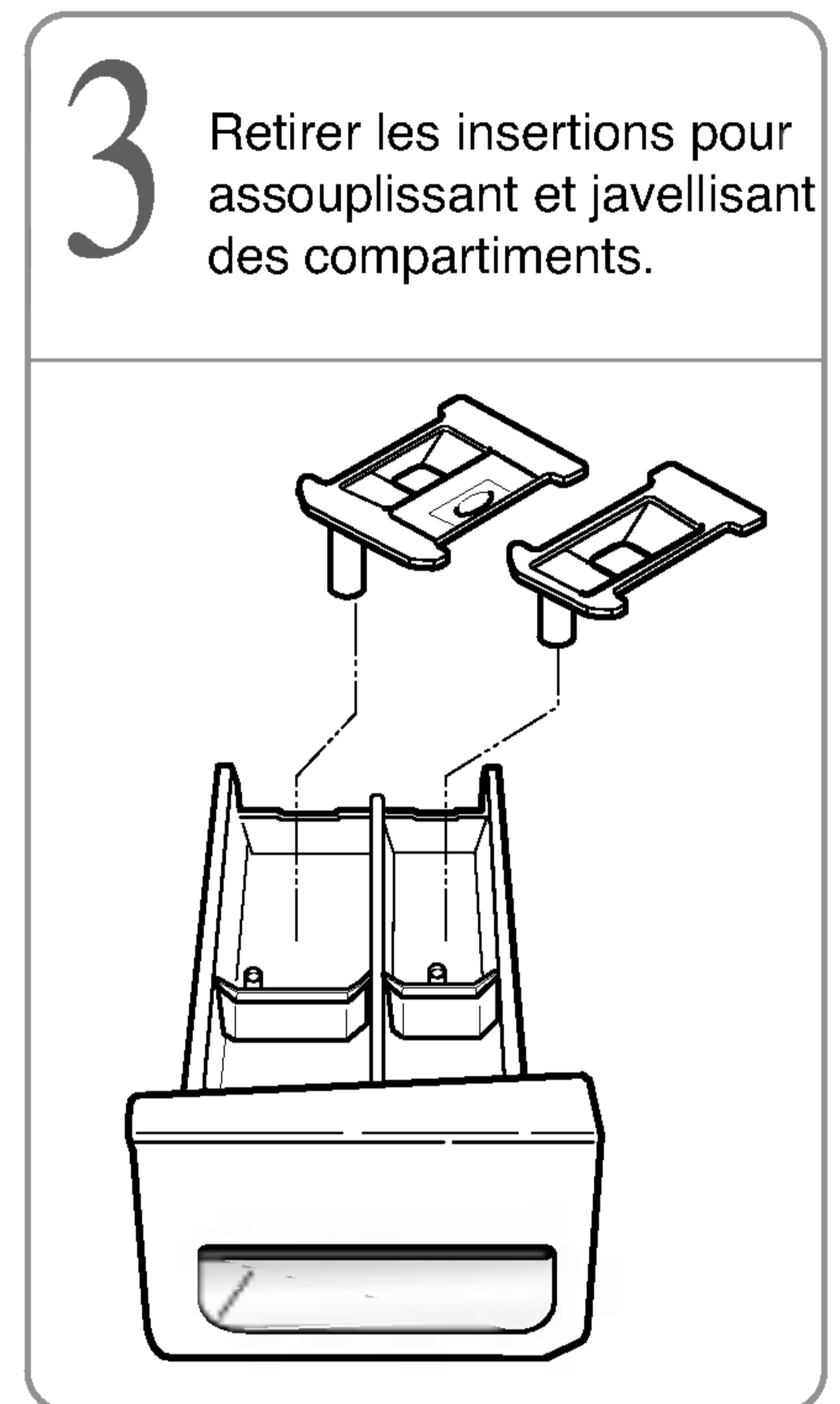
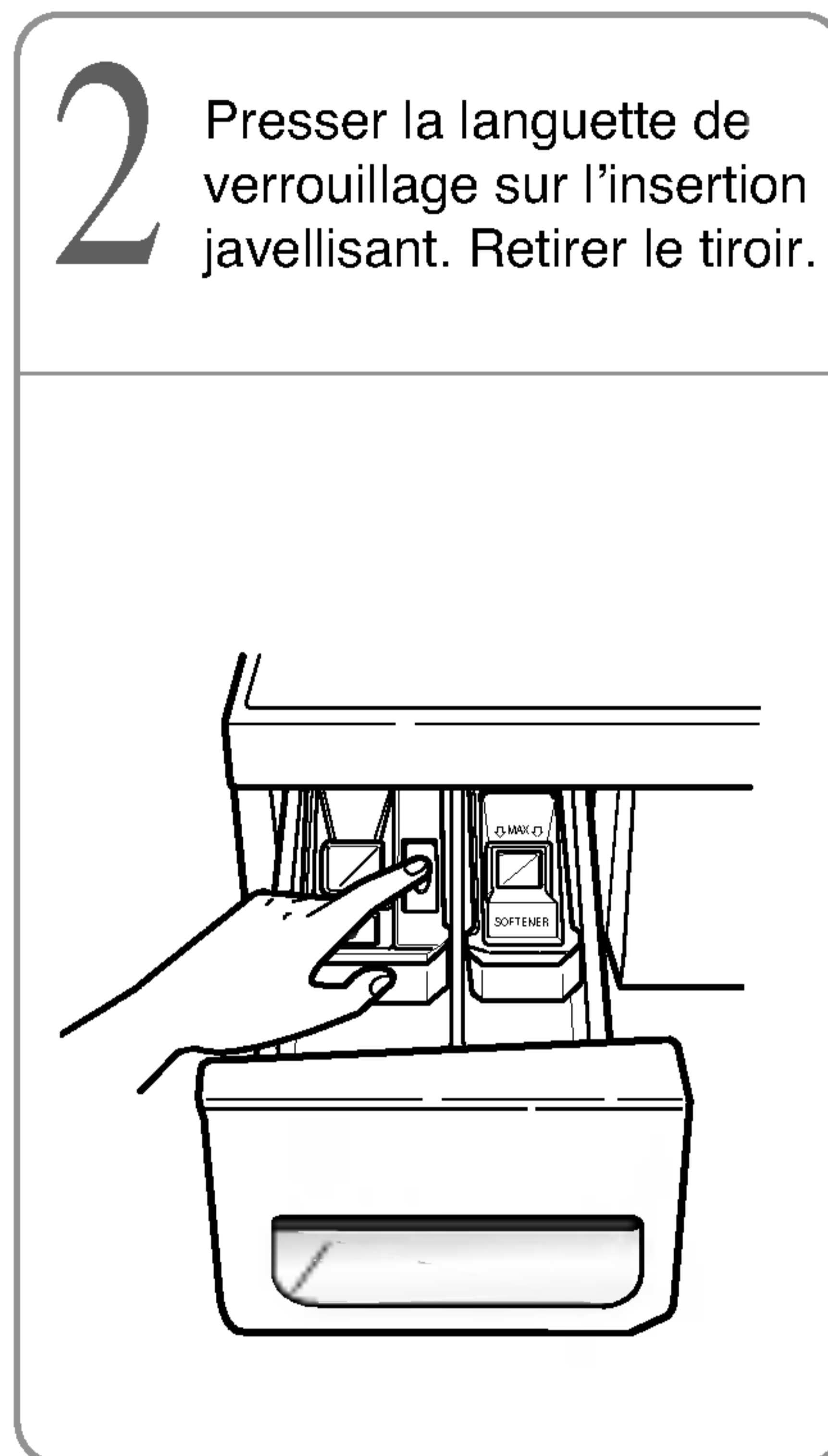
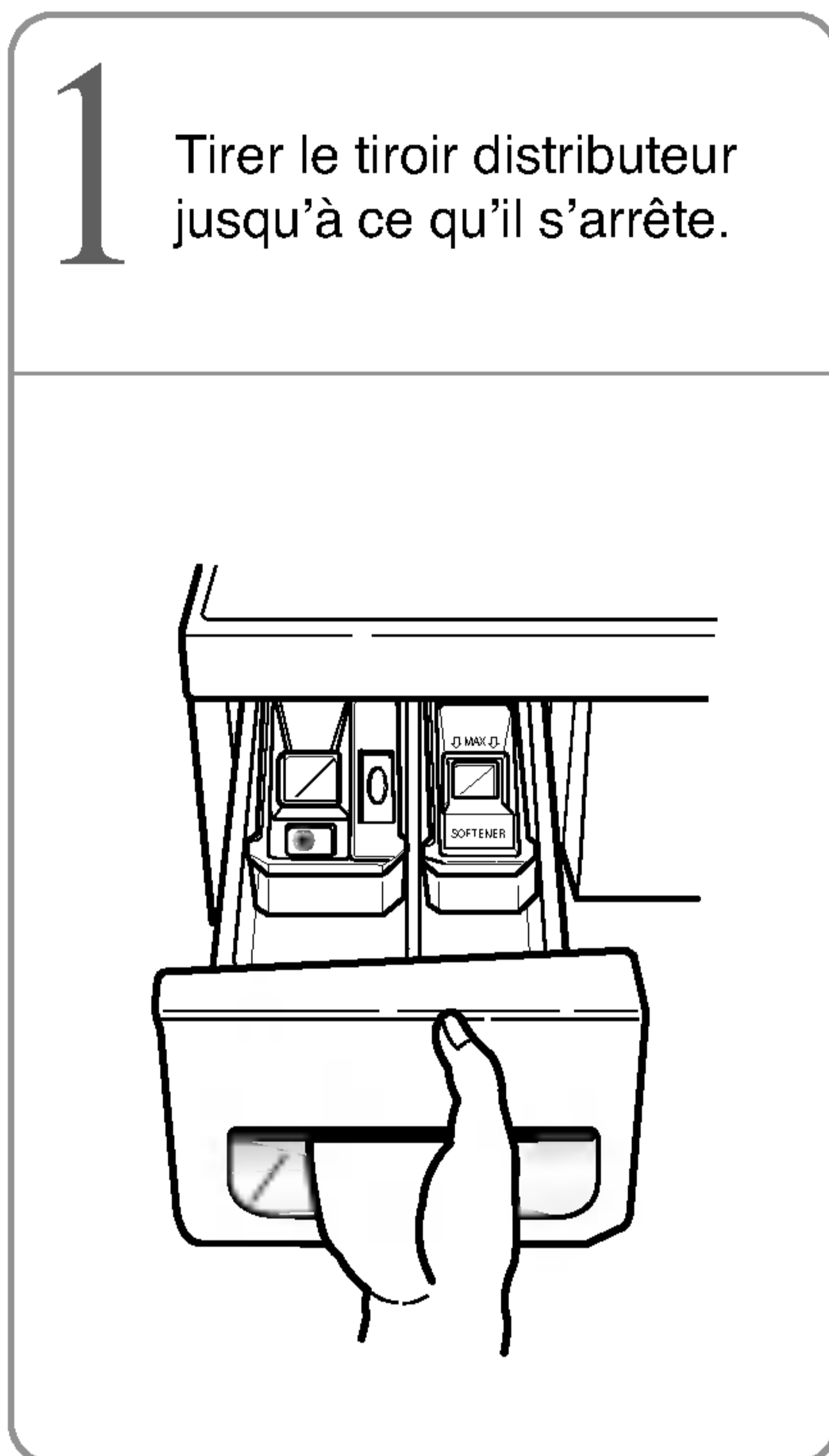


3. Enlever tout objet du filtre de la pompe ③. Après le nettoyage, tourner le filtre de la pompe ③ dans le sens horaire et remettre le bouchon de drain ② en place. couvercle inférieur ①.



■ Nettoyage du distributeur

- Le distributeur peut nécessiter un entretien régulier vu l'accumulation d'additifs de lessive.



- Faire couler de l'eau tiède et utiliser une brosse souple ou un chiffon sur le tiroir, les insertions afin d'enlever l'excès de produits de lessive.
- Nettoyer l'ouverture du tiroir avec de l'eau et une petite brosse.
- Suivre les illustrations dans l'ordre inverse pour remettre les pièces aux endroits appropriés.

REMARQUE: Ne pas utiliser de produit nettoyant sur l'ouverture du tiroir autre que de l'eau car il s'égouttera dans la cuve. Si cela se produit, régler la laveuse en mode rinçage et essorage pour enlever tout produit nettoyant de la laveuse avant d'effectuer un lavage.

■ Tambour

- Si l'on réside dans une région où l'eau est calcaire, les dépôts s'accumulent continuellement dans des parties non visibles et difficiles à nettoyer. Avec le temps, les accumulations de calcaire obstruent l'appareil. Si l'appareil n'est pas vérifié, il faudra éventuellement le remplacer.
- Bien que le tambour soit fabriqué en acier inoxydable, des taches de rouille peuvent être causées par de petits objets en métal comme des pinces, trombones, etc. laissés dans le tambour.
- Le tambour doit être nettoyé de temps à autre.
- Si l'on utilise des produits pour enlever le calcaire ou des javellisants, s'assurer qu'ils sont conçus pour une utilisation avec la laveuse.
- Les produits décalcifiants contiennent des composants qui peuvent endommager la laveuse.
- Enlever les taches avec un produit nettoyant pour acier inoxydable.
- Ne jamais utiliser de laine d'acier.

■ Nettoyage de la laveuse

1. Extérieur

Un entretien approprié prolongera la vie de la laveuse.

L'extérieur de l'appareil peut être nettoyé avec de l'eau tiède et un détergent domestique non abrasif neutre.

Essuyer immédiatement tout déversement. Essuyer avec un chiffon humide.

Ne pas frapper la surface avec des objets pointus.

* IMPORTANT: Ne pas utiliser de méthylène, de solvants ou d'autres produits semblables.

2. Intérieur

Le tour de l'ouverture de la porte, le joint flexible et la porte en verre doivent toujours être nettoyés pour assurer une bonne étanchéité.

Effectuer un cycle complet en utilisant de l'eau chaude.

Répéter au besoin.

REMARQUE: Enlever les dépôts de calcaire avec un produit approprié pour les laveuses.


■ Instructions pour hiverner

Si la laveuse est rangée dans un endroit où il peut y avoir du gel ou déménagée à des températures froides, suivre les instructions ci-dessous pour éviter tout dommage.

1. Fermer le robinet d'alimentation en eau.
2. Débrancher les tuyaux de l'alimentation en eau et vidanger l'eau des tuyaux.
3. Brancher le cordon d'alimentation sur une prise appropriée mise à la terre.
4. Ajouter un gallon (3,8 ℓ) d'antigel de véhicule récréatif non toxique dans le tambour. Fermer la porte.
5. Régler au cycle d'essorage et laisser essorer pendant 1 minute pour vider toute l'eau.
L'antigel ne sera pas tout expulsé.
6. Débrancher le cordon d'alimentation, assécher l'intérieur du tambour et fermer la porte.
7. Enlever le distributeur. Vider toute eau des compartiments et les assécher.
8. Ranger la laveuse en position droite.
9. Pour enlever l'antigel de la laveuse après le rangement, effectuer un cycle complet avec du détergent, la laveuse vide. **Ne pas ajouter de charge.**

GUIDE DE DÉPANNAGE

* Cette laveuse est dotée de fonctions de sécurité automatiques qui détectent et effectuent un diagnostic rapidement et elle réagit de façon appropriée. Lorsque l'appareil ne fonctionne pas correctement ou pas du tout, vérifier les points suivants avant d'effectuer un appel de service.

Problème	Cause possible	Solution
Ballotement ou bruit	<ul style="list-style-type: none"> Objets comme monnaie ou pince coincés dans le tambour. 	<p>Arrêter la laveuse et vérifier le tambour et le filtre de drain.</p> <p>Si le bruit persiste une fois la laveuse en marche, communiquer avec un technicien qualifié.</p>
Pilonnement	<ul style="list-style-type: none"> Charge trop lourde. Ceci est normal. 	<p>Si le bruit persiste, la laveuse est probablement hors équilibre. Arrêter et redistribuer la charge.</p>
Vibration	<ul style="list-style-type: none"> Les boulons de transport ont-ils été enlevés? Charge mal distribuée. Les pieds reposent-ils solidement sur le plancher? 	<p>Voir "Installation" concernant les boulons d'expédition.</p> <p>Arrêter la laveuse et redistribuer la charge.</p> <p>Régler les pieds niveleurs.</p> <p>S'assurer que les quatre (4) pieds sont en contact avec le plancher, tandis que la laveuse est au cycle d'essorage avec la charge.</p>
Fuites d'eau	<ul style="list-style-type: none"> Connexion du tuyau de remplissage lâche au robinet ou à la laveuse. Tuyau d'évacuation obstrué. 	<p>Vérifier et serrer les connexions.</p> <p>Déboucher. Communiquer avec un plombier au besoin.</p>
Mousse excessive	<ul style="list-style-type: none"> Trop de détergent ou détergent inadéquat. 	<p>Réduire la quantité de détergent ou utiliser un détergent peu moussant.</p> <p>détersifs HE (haute efficacité)</p> <p> Conçu exclusivement pour les détersifs HE (haute efficacité)</p>

Problème	Cause possible	Solution
L'eau n'entre pas dans la laveuse ou entre lentement	<ul style="list-style-type: none"> • Alimentation en eau inadéquate. • Robinet pas assez ouvert. • Pincement dans le tuyau d'entrée d'eau. • Filtre du tuyau d'entrée obstrué. 	<p>Vérifier un autre robinet dans la maison.</p> <p>L'ouvrir complètement.</p> <p>Le redresser.</p> <p>Vérifier le filtre.</p>
L'eau de la laveuse ne se vide pas ou se vide lentement	<ul style="list-style-type: none"> • Tuyau d'évacuation pincé ou obstrué. • Filtre de drain obstrué. 	<p>Nettoyer et redresser le tuyau.</p> <p>Nettoyer le filtre de drain.</p>
La laveuse ne se met pas en marche	<ul style="list-style-type: none"> • Cordon électrique non branché ou connexion lâche. • Fusible grillé ou disjoncteur déclenché ou panne de courant. • Robinet d'alimentation en eau fermé. 	<p>S'assurer que la fiche est bien insérée dans la prise murale.</p> <p>Remplacer le fusible ou réenclencher le disjoncteur</p> <p>Si le problème est une surcharge de circuit, communiquer avec un électricien qualifié.</p> <p>Ouvrir le robinet.</p>
La laveuse n'essore pas	<ul style="list-style-type: none"> • Vérifier si la porte est bien fermée. 	<p>Fermer la porte et presser la touche START/PAUSE. Après avoir presser cette touche, il faut un certain temps avant que la laveuse commence à essorer. La porte doit être verrouillée avant que l'essorage ne puisse se faire.</p>
Cycle de lavage différé	<ul style="list-style-type: none"> • Le temps de lavage peut varier selon la grosseur de la charge, de la pression d'eau, de la température de l'eau et autres conditions. 	<p>Si un déséquilibre est détecté ou si le programme de retrait de mousse fonctionne, le temps de lavage peut être augmenté.</p>

GUIDE DE DÉPANNAGE

Problème	Cause possible	Solution
1E	<ul style="list-style-type: none"> Alimentation en eau inadéquate dans la région. Robinet d'alimentation en eau non ouvert complètement. Tuyau d'entrée d'eau pincé Filtre du tuyau d'entrée obstrué. 	<p>Vérifier un autre robinet dans la maison.</p> <p>Ouvrir le robinet complètement</p> <p>Redresser le tuyau</p> <p>Vérifier le filtre</p>
0E	<ul style="list-style-type: none"> Tuyau d'évacuation pincé ou obstrué. Filtre de drain obstrué. 	<p>Nettoyer et redresser le tuyau</p> <p>Nettoyer le filtre de drain</p>
UE	<ul style="list-style-type: none"> Charge trop petite. Charge déséquilibrée. L'appareil est doté d'un détecteur de déséquilibre et du système de correction. S'il y a des articles lourds individuels (tapis de bain, peignoir, etc.), le système peut arrêter l'essorage ou le cycle si le déséquilibre est trop important. 	<p>Ajouter 1 ou 2 autres articles semblables pour équilibrer la charge.</p> <p>Redistribuer la charge.</p>
dE	<ul style="list-style-type: none"> Porte ouverte ou mal fermée. 	<p>Fermer complètement la porte.</p> <p>* Si le symbole ne s'éteint pas, faire un appel de service.</p>
LE		Débrancher le cordon d'alimentation et faire un appel de service.
FE	<ul style="list-style-type: none"> L'eau déborde à cause d'une soupape d'eau défectueuse. 	<p>Fermer le robinet.</p> <p>Débrancher la fiche d'alimentation.</p> <p>Faire un appel de service</p>
PE	<ul style="list-style-type: none"> Figure si le capteur de niveau d'eau fonctionne mal. 	
CE	<ul style="list-style-type: none"> Surcharge du moteur. 	
LE	<ul style="list-style-type: none"> Surcharge du moteur. 	
PF	<ul style="list-style-type: none"> Panne de courant. 	Relancer le cycle.

Visitez notre site web : www.LG.ca

LG Electronics Canada, Inc.

GARANTIE LIMITÉE

Si le produit présente un défaut de matériaux ou de fabrication dans des conditions d'utilisation normales pendant la période de garantie indiquée ci-dessous, laquelle période de garantie est en vigueur à partir de la date d'achat d'origine, LG Electronics réparera ou remplacera, à sa discrétion, le produit sans frais.

La garantie est valide seulement pour l'acheteur d'origine du produit, pendant la période de garantie, tant et aussi longtemps que cela soit au Canada.

Période de garantie du Lave-linge / Sécheuse LG

<u>Composant</u>	<u>Pièces</u>	<u>Main-d'oeuvre</u>
Toutes les pièces	2 ans	2 ans (service à domicile)
Moteur, Contrôleur	3 ans	2 ans (service à domicile)
Cuve	5 ans	2 ans (service à domicile)

Aucune autre garantie n'est applicable à ce produit. LA DURÉE DE TOUTE GARANTIE IMPLICITE, INCLUANT LA GARANTIE IMPLICITE DE COMMERCIALISATION, EST LIMITÉE À LA DURÉE DE LA GARANTIE EXPRESSE INDIQUÉE CI-APRÈS. LG ELECTRONICS NE PEUT ÊTRE TENUE RESPONSABLE POUR LA PERTE D'UTILISATION DE CE PRODUIT, INCONVÉNIENT, PERTE OU TOUT AUTRE DOMMAGE, DIRECT OU INDIRECTS, SURVENANT À LA SUITE DE L'UTILISATION OU DE L'INHABILITÉ À UTILISER LE PRODUIT OU POUR TOUT BRIS DE GARANTIE IMPLICITE OU EXPRESSE, INCLUANT LA GARANTIE IMPLICITE DE COMMERCIALISATION OU À DES FINS PARTICULIÈRES, APPLICABLES À CE PRODUIT. Certaines provinces ou territoires ne permettent pas l'exclusion ou la limitation de dommages indirects ou accessoires de limitation sur la durée d'une garantie implicite, par conséquent, ces limitations peuvent ne pas s'appliquer. Cette garantie vous (l'acheteur d'origine) donne des droits spécifiques légaux et vous pouvez en avoir d'autres qui varient d'une province ou territoire à un autre.

LA GARANTIE SUSMENTIONNÉE NE S'APPLIQUE PAS :

1. Au déplacement de service à domicile pour livrer ou cueillir, installer, instruire ou remplacer un fusible ou rebrancher le câblage résidentiel ou la plomberie ou corriger une réparation non autorisée.
2. Aux dommages au produit causés par accident, vermine, incendie, inondation ou actes de Dieu.
3. Aux réparations lorsque le produit LG est utilisé à des fins autres que normales, utilisation résidentielle unifamiliale ou contraire aux instructions données dans le guide du propriétaire du produit.
4. Aux dommages résultant d'accident, modification, mauvaise utilisation, abus ou installation ou entretien inadéquat.
5. Aux produits modifiés ou dont le numéro de série a été enlevé

Si le produit est installé à l'extérieur de la zone de service normale, tous frais de déplacement nécessaire pour la réparation du produit, ou le remplacement d'une pièce défectueuse seront imputés au propriétaire.

INFORMATION D'AIDE À LA CLIENTÈLE :

Pour obtenir une garantie :

Conserver la facture comme preuve de la date d'achat.
Une copie de la facture doit être présentée lorsqu'un service sous garantie est fourni.
Cette garantie n'est pas valide si le numéro de série apposé en usine a été modifié ou enlevé du produit.

Pour obtenir de l'aide sur le produit ou pour le service à la clientèle :

Téléphoner au 1.888.LG.CANADA (542.2623)
Presser l'option du menu approprié, et avoir les numéros de modèle et de série et votre code postal sous la main.

Pour obtenir le centre de service autorisé le plus près :

Aller au site web : www.LG.ca (option service) ou téléphoner au 1.888.LG.CANADA (542.2623)
Presser l'option du menu approprié, et avoir les numéros de modèle et de série et votre code postal sous la main.