



FRIDGE-FREEZER

User's Guide

Please read this User's Guide carefully before operating and keep it handy for reference at all times.

FRIGORIFICO- CONGELADOR

Instrucciones de uso

Lea estas instrucciones de uso con atención antes de poner el aparato en funcionamiento y manténgalo siempre a mano para que pueda consultarlo en cualquier momento.

FRIGORIFICO- CONGELADOR

Instruções de uso

Leia estas instruções de uso com atenção antes de pôr o aparelho a funcionar e mantenha-as sempre à mão para que possam ser consultadas a qualquer hora.

Lea detenidamente el contenido de esta tarjeta de Garantía



Table of Contents

Introduction	Registration	4
	Important Safety Instruction	4
	Identification of Parts	6
Installation	Installation	7
	Starting	7
Operation	Temperature Control	8
	Quick Freeze	8
	Vacation	9
	Self Test	9
	Door Alarm	9
	Ice Making	9
	Defrosting	9
	Water Dispenser	10
Suggestion On Food storage	Storing Food	12
Care and Maintenance	General Information	13
	Lamp Replacement	13
	Cleaning	14
Trouble Shooting	Trouble Shooting	16
To Reverse the Doors	Precaution	18
	How to Reverse the Doors	18

Introduction

Registration

The model and serial number are found on the rear of this unit. This number is unique to this unit and not available to others. You should record requested information here and retain this guide as a permanent record of your purchase. Staple your receipt here.

Date of Purchase : _____

Dealer Purchased From : _____

Dealer Address : _____

Dealer Phone No. : _____

Model No. : _____

Serial No. : _____

Important Safety Instruction

Precaution

This fridge-freezer must be properly installed and located in accordance with the Installation Instruction before it is used.

Never unplug your fridge-freezer by pulling on the power cord. Always grip plug firmly and pull straight out from the outlet.

When moving your appliance away from the wall, be careful not to roll over or damage the power cord.

After your fridge-freezer is in operation, do not touch the cold surfaces in the freezer compartment, particularly when hands are damp or wet. Skin may adhere to these extremely cold surfaces.

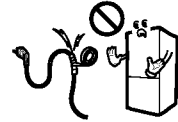
Important Safety Instruction

Precaution

Roll out the power plug prior to cleaning the fridge-freezer.
Never damage, severely bend, pull out, or twist the power cord because power cord damage may cause a fire or electronic shock.
Never place glass products in the freezer because they may be broken when their inner contents are frozen.

Do not modify or extend the Power Cord length

It will cause electric shock or fire.



Don't Use an Extension Cord

If possible, connect the fridge-freezer to its own individual electrical outlet to prevent it and other appliances or household lights from causing an overload.

Accessibility of Supply Plug

The supply plug of the refrigerator-freezer should be placed in easy accessible position for quick disconnection in emergency.

Supply Cord Replacement

If the supply cord is damaged, it must be replaced by the manufacturer or its service agent or a similarly qualified person in order to avoid a hazard.

Danger

Risk of child entrapment.
Before you throw away your old refrigerator or freezer:
Take off the doors.
Leave the shelves in place so that children may not easily climb inside.

Don't store

Don't store or use gasoline or other flammable vapors and liquids in the vicinity of this or any other appliance.

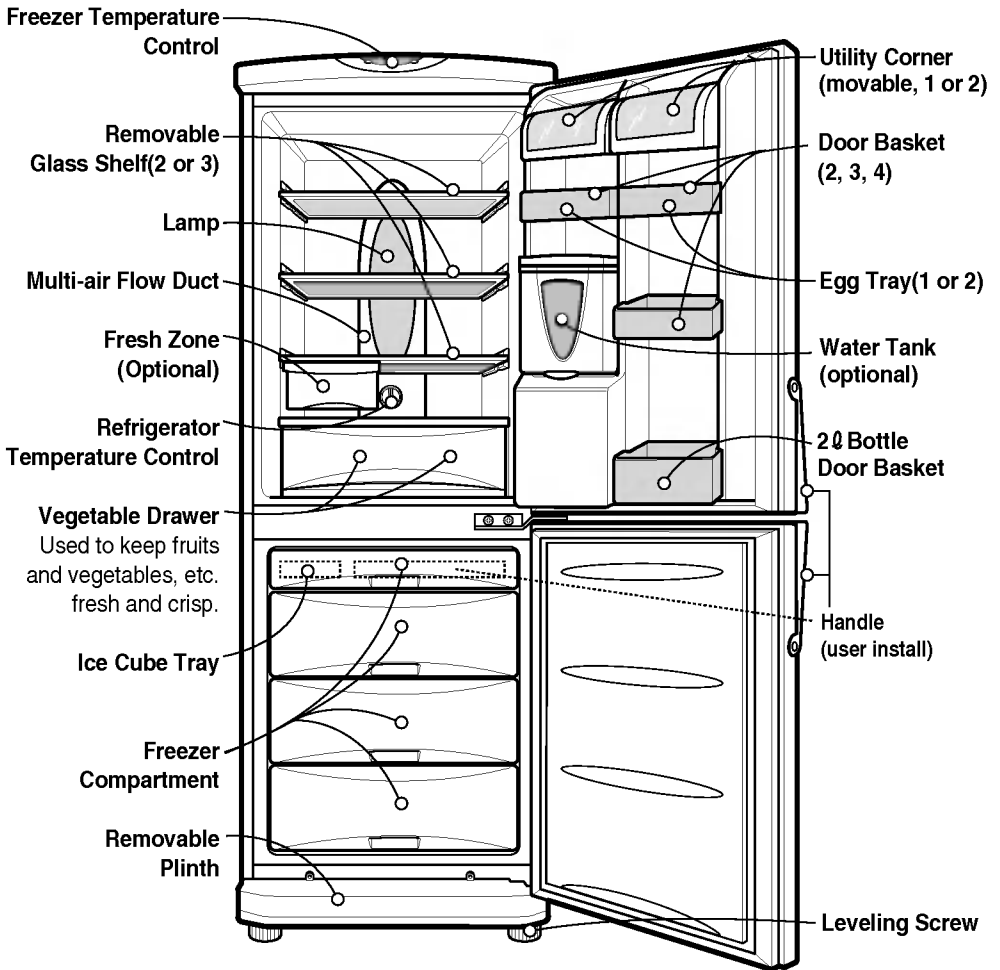
Grounding (Earthing)

In the event of an electric short circuit, grounding (earthing) reduces the risk of electric shock by providing an escape wire for the electric current. In order to prevent possible electric shock, this appliance must be grounded. Improper use of the grounding plug can result in an electric shock. Consult a qualified electrician or service person if the grounding instructions are not completely understood, or if you have doubts on whether the appliance is properly grounded.

▲Warning

- ▲ Keep ventilation openings, in the appliance enclosure or in the built-in structure, clear of obstruction.
- ▲ Do not use mechanical devices or other means to accelerate the defrosting process, other than those recommended by the manufacturer.
- ▲ Do not damage the refrigerant circuit.
- ▲ Do not use electrical appliances inside the food storage compartments of the appliance, unless they are of the type recommended by the manufacturer.
- ▲ The refrigerant and insulation blowing gas used in the appliance require special disposal procedures. When disposal, please consult with service agent or a similarly qualified person.

Identification of Parts



Note

If you found some parts missing from your unit, they may be parts only used in other models.

Installation

1. Select a good location.
Place your fridge-freezer where it is easy to use.
2. Avoid placing the unit near heat sources, direct sunlight or moisture.
3. There must be proper air circulation around your fridge-freezer to keep it operating efficiently.
4. To avoid vibration, the unit must be leveled.
If required, adjust the leveling screws to compensate for the uneven floor.
The front should be slightly higher than the rear to aid in door closing.
Leveling screws can be turned easily by tipping the cabinet slightly.
Turn the leveling screws counterclockwise(↺) to raise the unit, clockwise(↻) to lower it.
5. Clean your fridge-freezer thoroughly and wipe off all dust accumulated during shipping.
6. Install accessories such as ice cube box, etc., in their proper places. They are packed together to prevent possible damage during shipment.
7. Connect the power supply cord (or plug) to the outlet.
Don't double up with other appliances on the same outlet.
8. To ensure proper air circulation around the fridge - freezer, please maintain sufficient space on both the sides as well as top and maintain at least 2 inches (5 cm) from the rear wall.

Starting

When your fridge-freezer is installed, allow it 2-3 hours to stabilize at normal operating temperature prior to filling it with fresh or frozen foods.

If power plug is disconnected, allow 5 minutes delay before restarting.

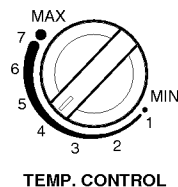
Your fridge-freezer is now ready for use.

Temperature Control

Your fridge-freezer has two controls that let you regulate the temperature in the fridge and freezer compartments.

Fridge

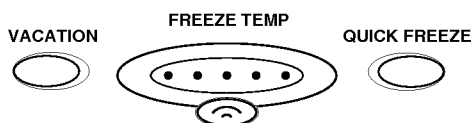
- Initially set the TEMP. CONTROL at "4". Then adjust the compartment temperature according to your desire.



- If you want an inside temperature slightly less cold or colder, turn the knob towards MIN or MAX, respectively. When the surrounding temperature is low, adjust the TEMP. CONTROL 'MIN'.

Freezer

- Freezer temperature control is on the top of the fridge-freezer. Initially set the Freeze Temp at mid-point. By pressing the Freezer Temp button, you can adjust the temperature of the Freezer as indicated by the numbers of lamps lit. (the setting is composed of five steps, 5 lamps lit indicates coldest.)
- When you starting the Fridge-Freezer or connecting the power plug to the outlet, temperature setting is automatically set to the mid-point.



Quick Freeze

- This function is used when you want to freeze the foods quickly. Press the 'QUICK FREEZE' button once, and then the quick freeze operation starts with the lamp lit.



The quick freeze operation takes about 3 hours.

When its operation ends, it automatically returns to the normal state.

If you want to stop the quick freeze operation, press the 'QUICK FREEZE' button once more, the lamp goes out, and the quick freeze operation stops and the refrigerator returns to the normal state.

Vacation

This function makes the fridge-freezer work in a power saving mode which is useful for when you are away on holiday, by reducing energy consumption as much as possible. Pressing 'VACATION' starts operation with lamp ON and pressing it again stops the operation.

For better functioning, you should set the TEMP. CONTROL to "MIN".



Self Test

This function allows you to check for operational problems. If you think you have a problem with your fridge-freezer, then press the temperature control button:

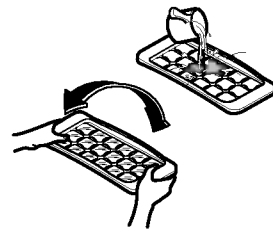
- If the indicate lights move up or down, then there is no problem with your fridge-freezer.
- If the indicate lights do not move up or down, then please leave the power connected and call your nearest service agent.

Door Alarm

When the door of the fridge is left opened for a while, the alarm sounds.

Ice Making

- To make ice cubes, fill the ice tray to the water level and place it in the freezer.
- If ice cubes are required fast, press the 'QUICK FREEZE' button.
- To remove ice cubes, hold the tray at its ends and twist gently.



Tip

To remove ice cubes easily, run water on the tray before twisting.

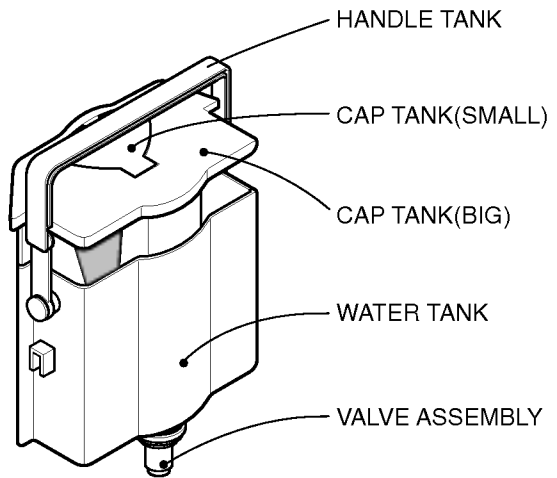
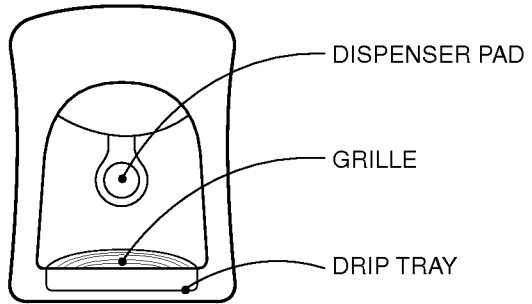
Defrosting

Defrosting takes place automatically.

The defrosting water flows down to the evaporating tray and is evaporated automatically.

Water Dispenser (optional)

Features



Install

Please assemble the VALVE ASSEMBLY after correctly adjusting it with a DOOR HOLE.

**Filling of
WATER TANK**

1. After turning the HANDLE Tank backward with the WATER TANK installed at the DOOR, Open the CAP TANK (SMALL) and then fill water using a kettle etc.
 - * Fill water while watching a sight glass on the front of the WATER TANK.
 - * Water up to 4.5ℓ can be filled.
2. Press and fix the CAP TANK(SMALL).
3. After filling spring water, fix the HANDLE TANK at a proper position.

Drinking

1. Press the Dispenser Pad with a cup.
2. If pressing the Pad, water inside of the Dispenser is supplied.
3. If slowly removing a cup from the Pad, water will not fall down.

Caution

Do not use other beverage (milk, juice, carbonated beverage etc) than spring water. Especially beverage including grain must not be used (may result in failure).

Storing Food

- Do not store food which goes bad easily at low temperature, such as banana, and melon.
- Allow hot food to cool prior to storing. Placing hot food in the fridge-freezer could spoil other food, and lead to higher electric bills.
- When storing the food, use a container with a lid. This prevents moisture from evaporating, and helps food to keep its taste and nutrients.
- Do not block air vents with food. Smooth circulation of cold air keeps fridge-freezer temperature even.
- Do not open the door frequently. Opening the door lets warm air enter the fridge-freezer, and cause temperature to rise.
- To adjust the temperature control easily, do not store food near the temperature control dial.
- Never keep too many foods in door rack, as this may stop the door from fully closing.
- Do not store bottles in the freezer compartment - they may break when frozen.
- Do not refreeze food that has been thawed. This causes loss of taste and nutrition.

Note

If you keep the fridge-freezer in a hot, and humid place, frequently open its door or put a lot of vegetables in it, dew may form in it, which has no effect on its performance.

Remove the dew with dust cloth free from care.

General Information

Power Failure

- 1~2 hour power failure does no harm to the foods stores. Try to avoid opening and closing the door too frequently.

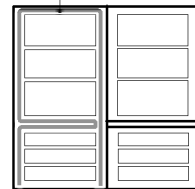
If You Move

- Take out foods from the fridge-freezer and firmly fix the loose items with tape.
- Turn the leveling screws until they stop before moving the fridge-freezer. Otherwise the screw may scratch the floor or the fridge-freezer cannot move.

Anti Condensation Pipe

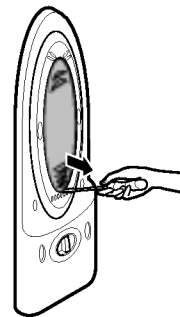
- The Anti-Condensation pipe is installed around the front side of fridge-freezer as well as on the partition between fridge compartment and freezer compartment to prevent dewing.
- Especially after installation or when ambient temperature is high, the fridge-freezer may feel hot, which is quite normal.

Anti-Condensation Pipe



Lamp Replacement

1. Unplug the power cord from the outlet.
2. Remove fridge shelves.
3. To remove the lamp cover, insert ⊖ type driver in the underside of the lamp cover and pull it out forwards.
4. Turn the lamp counterclockwise.
5. Assemble in reverse order of disassembly.
Replacement lamp must be the same specification as original.
 - You must check the O-RING, which is made by rubber and prevent electric spark.



Cleaning

Before Cleaning

Be sure to unplug the power.

Exterior

Clean the outside of the fridge-freezer with a soft cloth soaked with hot water or liquid detergent. If you use a detergent, be sure to wipe it with a clean wet cloth.

Interior

As above.

After Cleaning

Check that the power cord is not damaged, power plug has not overheated, and that the power plug is tightly inserted into the outlet.

Warning

Be sure to dry the appliance with a cloth after washing it with water.

Do not use abrasive, petroleum, benzene, thinner, hydrochloride acid, boiling water, rough brush, etc, as they may damage parts of the fridge-freezer.

GRILLE and DRIP TRAY

1. After removing the HOLE part of the GRILLE with the finger, slowly pull the DRIP TRAY out.
2. After discharging Drip Water inside of the DRIP TRAY, clean and fully rinse the GRILLE and the DRIP TRAY.
3. Wipe moisture out around the DOOR part and the DRIP TRAY using a clean cloth.

Exterior Dispenser

Wipe moisture etc out outside of Dispenser and on the Dispenser Pad using a cloth.

Water Tank

1. Lift the WATER TANK up by pressing the fixing LEVER on the bottom of WATER TANK and then remove it.
2. After removing the CAP TANK (BIG), clean and fully rinse the inside/outside part of the WATER TANK by using neutral cleansing agent.

Cap Tank(Big & Small)

Clean and fully rinse the Cap Tank (Big & Small) by using neutral cleansing agent.

Especially for the groove part of the CAP TANK, it is convenient to cleanse it by using a small brush.

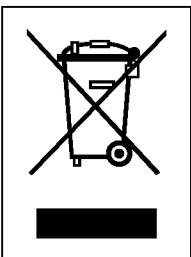
Valve Assembly

Clean and fully rinse the VALVE ASSEMBLY by using a small brush. Rinse it while operating the bottom part of the valve assembly. Always fix the Sealing Rubber separated for cleansing at the existing position (may result in water leakage).

Before calling for service, check this list. It may save you both time and expense. This list includes common occurrences that are not the result of defective workmanship or materials in this appliance.

Problem	Possible Causes
Fridge-Freezer does not operate	<ul style="list-style-type: none">• Power plug may be unplugged from the electric outlet. Plug it in securely.• House fuse has blown or circuit breaker has tripped. Check and/or replace fuse and reset circuit breaker.• Power cut. Check house lights.
Fridge or Freezer Compartment Temperature too warm	<ul style="list-style-type: none">• Temperature control not set on proper position. Refer to Temperature Control section.• Appliance is placed close to heat source.• Warm weather-frequent door openings.• Door left open for a long time.• Package holding door open or blocking air duct in freezer compartment.
Vibration or Rattling or Abnormal Noise	<ul style="list-style-type: none">• The floor on which the fridge-freezer is installed may be uneven or the fridge-freezer may be unstable. Make it even by rotating the leveling screw.• Unnecessary objects placed in the back side of the fridge-freezer.
Frost or Ice Crystals on frozen Food	<ul style="list-style-type: none">• Door may have been left ajar or package holding door open.• Too frequent or too long door openings.• Frost within package is normal.
Moisture forms on Cabinet Surface	<ul style="list-style-type: none">• This phenomenon is likely to occur in a wet space. Wipe it with a dry towel.

Problem	Possible Causes
Moisture collects inside	<ul style="list-style-type: none"> • Too frequent or too long door openings. • In humid weather, air carries moisture into fridge when doors are opened.
Fridge has odor	<ul style="list-style-type: none"> • Foods with strong odors should be tightly covered or wrapped. • Check for spoiled food. • Interior needs cleaning. Refer to CLEANING section
Door not closing properly	<ul style="list-style-type: none"> • Food package is keeping door open. Move packages that keep door from closing. • Fridge-freezer is not level. Adjust the leveling screws. • The floor on which the fridge-freezer is installed may be uneven or the fridge-freezer may be unstable. Slightly raise the front side with the leveling screw.
Interior light does not work	<ul style="list-style-type: none"> • No power at outlet. • Light lamp needs replacing. Refer to the Lamp Replacement section



DISPOSAL OF YOUR OLD APPLIANCE

1. When this crossed-out wheeled bin symbol is attached to a product it means the product is covered by the European Directive 2002/96/EC.
2. All electrical and electronic products should be disposed of separately from the municipal waste stream via designated collection facilities appointed by the government or the local authorities.
3. The correct disposal of your old appliance will help prevent potential negative consequences for the environment and human health.
4. For more detailed information about disposal of your old appliance, please contact your city office, waste disposal service or the shop where you purchased the product.

To Reverse the Doors

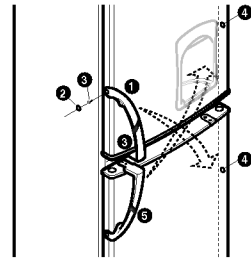
Your fridge-freezer is designed with reversible doors, so that they may open from either the left or right hand side to suit your kitchen design.

Precaution

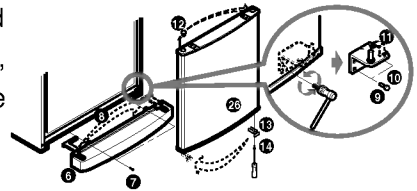
1. Before reversing the door, first of all, you should take out food and accessories like shelves or trays which are not fixed in the fridge-freezer.
2. Use Torque Wrench or Spanner to fix or remove the bolt.
3. Do not lay the fridge-freezer down. This will cause problems.
4. Be careful not to drop the doors in disassembling or assembling.

How to Reverse the Doors

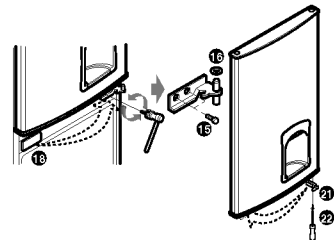
1. Remove SCREWS **3** after removing a CAP **2** from the right part of the refrigerator room HANDLE **1**. Remove 2 SCREWS **3** on the bottom part of the refrigerator room HANDLE **1**. The freezer room HANDLE **5** may be also separated in the same sequence as in the refrigerator room HANDLE **1**.



2. Remove screw **7** and remove Cover **6** and move Cap Cover **8**. And, remove screw **9**, Hinge-L **10**, and remove pin **11**. Remove the Freezer Door **26**, and move the position of the cap **12**. Move the position of bracket door **13** and screw **14**.



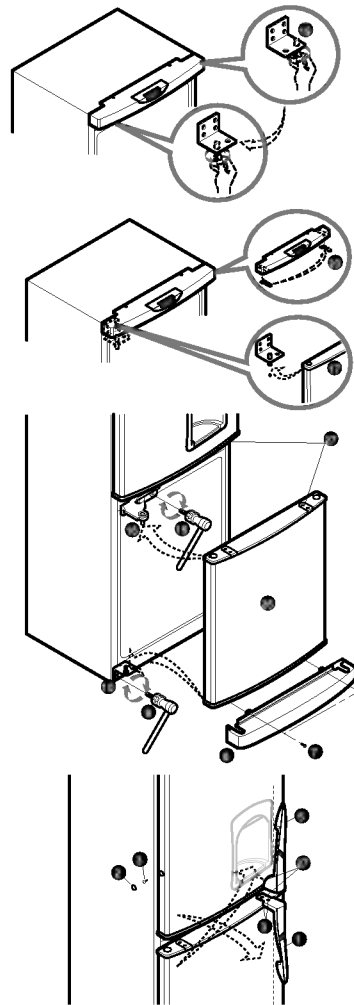
3. Remove bolt **15** and remove the Hinge-C **16** and the Fridge Door **17**. Move the position of the cap **18**. Move the position of bracket door **22** and screw **21**.



4. Move the position of Hinge-U pin **19**, and Cap, Top cover **20** Assemble the Fridge Door **17** Assemble Hinge-C **16** and bolt **15** Assemble F-Door **25**. Assemble the Hinge-L **10** and bolt **9**. Assemble Low Cover **6** and screw **7**.

5. Install HANDLES **5** installed at the existing freezer room, at the refrigerator room. Adjust the bottom part of HANDLES to the groove and then fasten 2 screws **3** after removing the CAP **7**. After bolting SCREWS in the side of the refrigerator room DOOR, press and insert the CAP **2**. Insert the CAP **4** to hole which the HANDLE **1** was installed previous. The freezer room HANDLES **1** are assembled in the same manner as above using the existing.

6. Stop the groom where the existing HANDLE **1**, **5** was installed at by using the CAP **7** removed in the initial installation.



Note

Reversing the doors is not covered by the warranty.

ÍNDICE

Introducción	Registro 22
	Medidas de Seguridad Importanes 22
	Identificación de las piezas 24
Instalación	Instalación 25
	Puesta en marcha 25
Funcionamiento	Control de temperatura 26
	Congelación rápida 26
	Inactividad 27
	Autocomprobación 27
	Alarma de la puerta 27
	Producción de hielo 27
	Descongelación 27
	Dispensador 28
Recomendaciones para el almacenamiento de alimentos	Almacenamiento de comida 30
Cuidado y mantenimiento	Información general 31
	Sustitución de la lámpara 31
	Limpieza 32
Localización y reparación de averías	Localización y reparación de averías 34
	Para invertir el sentido de apertura de las puertas
	Cómo invertir el sentido de apertura de las puertas 36

Introducción

Registro

El modelo y el número de serie figuran en la parte de atrás de este aparato. Este número fue asignado especialmente para este aparato y no está disponible para otros. Se aconseja indicar los datos que se solicitan a continuación y guardar esta guía como registro permanente de su compra.

Fecha de Compra : _____

Distribuidor : _____

Dirección del Distribuidor : _____

Nº de Teléfono del Distribuidor : _____

Nº de Modelo : _____

Nº de Serie : _____

Medidas de Seguridad Importantes

Advertencias

Este frigorífico-congelador no debe utilizarse hasta que se haya instalado y colocado adecuadamente de acuerdo con las Instrucciones de instalación.

No desenchufe nunca su frigorífico-congelador tirando del cable de potencia. Agarre siempre el enchufe con fuerza y tire de la toma de corriente.

Cuando separe su electrodoméstico de la pared, tenga cuidado de no enrollar o deteriorar el cable de potencia.

Una vez que su frigorífico-congelador esté en funcionamiento, no toque las superficies frías del compartimento del congelador, especialmente cuando las manos estén húmedas o mojadas, ya que la piel puede adherirse a estas superficies tan frías.

Medidas de Seguridad Importantes

Advertencias

Desenchufe la clavija de toma de corriente antes de limpiar el frigorífico-congelador.

Evite deteriorar, doblar excesivamente, retorcer el cable de potencia o tirar de él, ya que si éste se estropea se puede provocar un incendio o un electrochoque.

No coloque nunca envases de vidrio en el congelador porque pueden romperse cuando sus contenidos se congelen.

Esto podría provocar una descarga eléctrica o un incendio.



No modifique ni prolongue el largo del cable de alimentación

No utilice prolongadores

**Accesibilidad de enchufe de suministro
Substitución de suministro flexible**

Peligro

Si es posible, conecte el frigorífico-congelador a una toma de corriente individual para impedir que éste y otros aparatos o las luces domésticas provoquen una sobrecarga.

El enchufe de suministro del refrigerador-congelador debe estar ubicado en una posición de fácil acceso para la desconexión rápida en caso de emergencia.

Si el flexible hizo daño, debe consultar a la agencia de servicios o a la productora para evitar el peligro.

Para evitar que los niños queden atrapados en su antiguo frigorífico, retire sus puertas antes de tirarlo y deje las parrillas en su sitio para que los niños no puedan meterse dentro fácilmente.

Inflamables

Conexión a tierra

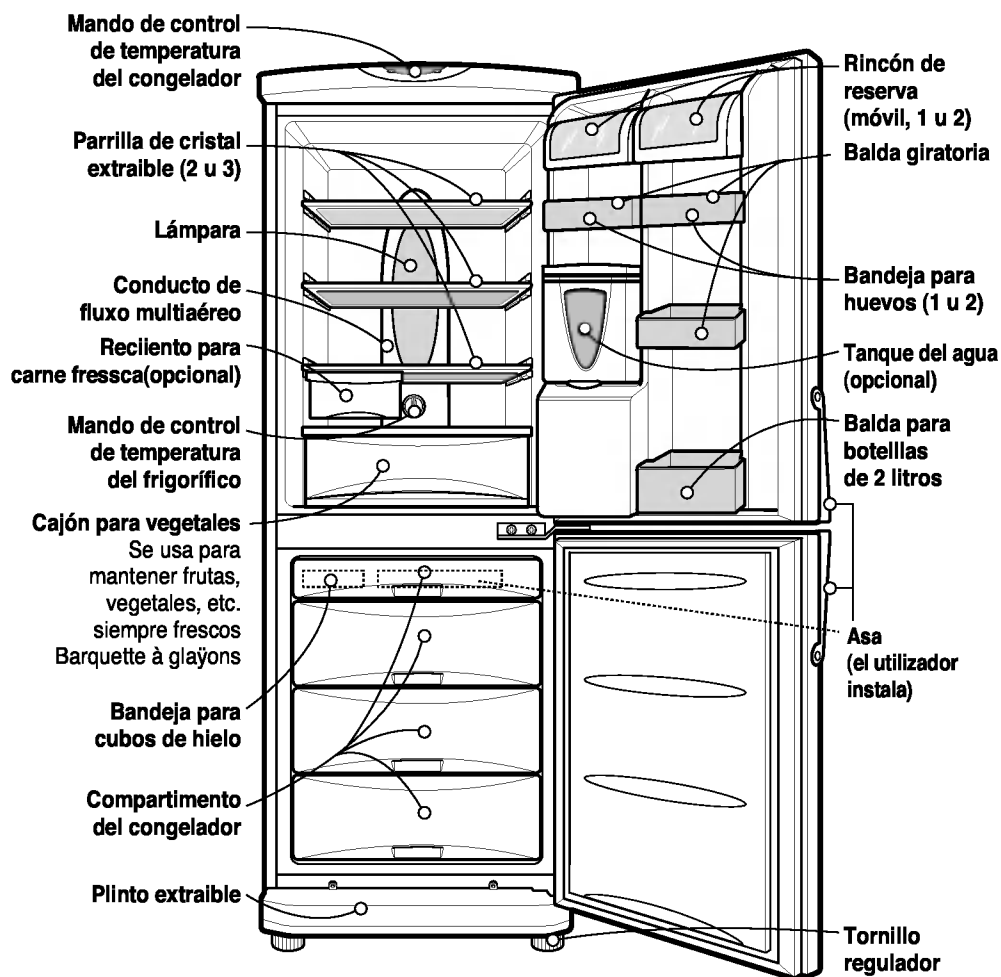
No almacene ni use gasolina u otros productos inflamables cerca de este electrodoméstico u otros.

En caso de un corto-circuito, la conexión a tierra reduce el riesgo de un electrochoque ya que proporciona a la corriente eléctrica un cable de descarga. Para evitar un posible electrochoque, este aparato debe estar conectado a tierra. Un uso inadecuado del enchufe de conexión puede dar lugar a un electrochoque. Acuda a un electricista cualificado o a personal de mantenimiento si no entiende totalmente las instrucciones relativas a la conexión a tierra o si no está seguro de que el aparato está debidamente conectado a tierra.

⚠ Advertencia

- ⚠ Mantenga las aperturas de la vibración, en el cercado o en la estructura incorporada del aparato, despejado de la obstrucción.
- ⚠ No utilice aparatos mecánicos u otros para acelerar el proceso de descongelación, fuera de los aquellos recomendados por el fabricante.
- ⚠ No dañe el circuito del refrigerante.
- ⚠ No utilice aparatos eléctricos dentro del compartimiento de almacenamiento de los alimentos, al menos que ellos sean de tipo recomendado por el fabricante.
- ⚠ El refrigerante y el gas de la ventilación de aislamiento usados en el aparato requiere de los procedimientos de disposición especial. Al disponerlo, por favor consulte con el agente de servicio o con personal similarmente calificado.

Identificación de las piezas



Nota

Si no encuentra alguna de estas piezas en su aparato, debe tener en cuenta que pueden ser piezas que sólo se utilizan en otros modelos.

Instalación

1. Busque un lugar apropiado.
Coloque su frigorífico-congelador donde tenga un acceso fácil.
2. Evite colocar el aparato cerca de fuentes de calor, luz del sol directa o humedad.
3. Debe haber una circulación de aire apropiada en su frigorífico-congelador para que éste funcione eficazmente.
4. Para evitar vibraciones, asegúrese de que el aparato está perfectamente nivelado. Si es el suelo no es uniforme, adapte los tornillos reguladores para compensar la falta de uniformidad.
La parte frontal debe estar ligeramente más alta que la parte de atrás para facilitar el cierre de la puerta. Los tornillos reguladores se pueden girar fácilmente inclinando ligeramente el aparato. Gire los tornillos reguladores en sentido (↺) contrario a las agujas del reloj para elevar el aparato y en el mismo sentido (↻) de las agujas del reloj para bajarlo.
5. Limpie su frigorífico-congelador completamente y retire todo el polvo acumulado durante el envío.
6. Instale los accesorios, como la caja para los cubos de hielo, en su lugar apropiado. Se embalan juntos para impedir que se deterioren durante el envío.
7. Conecte el cable de alimentación (o enchufe) a la toma de corriente. No utilice la misma toma de corriente para otros aparatos.
8. Para asegurar la correcta circulación del aire alrededor del frigorífico/congelador, mantenga el espacio libre suficiente en ambos lados, así como en la parte superior, y mantenga la unidad a al menos 2 pulgadas (5 cm.) de la pared posterior.

Puesta en marcha

Una vez que su frigorífico-congelador esté instalado, deje que se estabilice durante 2-3 horas a una temperatura de Funcionamiento normal antes de introducir en él alimentos frescos o congelados.

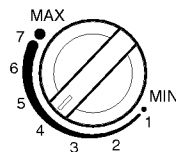
Si se desconecta la clavija de toma de corriente, espere 5 minutos antes de la nueva puesta en marcha.

Control de temperatura

Su frigorífico-congelador tiene dos mandos que le permiten regular la temperatura de los compartimentos del frigorífico y del congelador.

Frigorífico

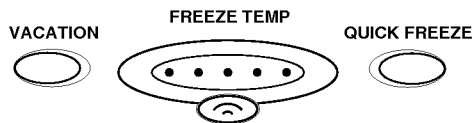
- Primero, sitúe el mando de TEMP. CONTROL en "4". Después regule la temperatura del compartimento a su gusto.



- Si desea una temperatura interior ligeramente más fría o menos fría, gire el mando hacia MÁX. Cuando la temperatura de alrededor sea boga, ajuste el controlador de temperatura de la refrigeradora a 'Min'.

Congelador

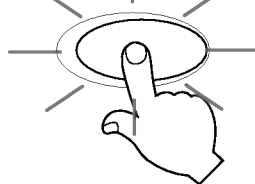
- El mando de temperatura del congelador se encuentra en la parte de arriba del frigorífico-congelador. Primero, sitúe el mando de control de Temperatura de Congelación en el punto medio. Presionando el mando de la Temperatura del Congelador podrá regular la Temperatura del Congelador según el número de lámparas encendidas (se dispone de 5 niveles para el proceso de regulación; 5 lámparas encendidas indican el nivel más frío).
- Cuando se pone en marcha el frigorífico-congelador o se conecta la clavija a la toma de corriente, la regulación de temperatura se lleva a cabo automáticamente y el mando se sitúa en el punto medio.



Congelación rápida (quick freeze)

- Haga uso de esta función cuando quiera congelar los alimentos rápidamente. Presione el botón "QUICK FREEZE" una vez y así la operación de congelación rápida comenzará al tiempo que se enciende la lámpara.

QUICK FREEZE



La operación de congelación rápida dura 3 horas aproximadamente. Cuando finaliza esta operación, el aparato vuelve al estado normal. Si desea interrumpir el proceso de congelación rápida, vuelva a presionar el botón "QUICK FREEZE"; la lámpara se apagará y el proceso de congelación rápida se interrumpirá y el refrigerador volverá al estado normal.

Inactividad

Gracias a esta función el frigorífico-congelador podrá seguir funcionando en el modo de ahorro de energía, lo cual es muy ventajoso cuando se sale de vacaciones, ya que el consumo de energía se reduce al máximo.

Al presionar "VACATION" comienza el proceso y se activa la lámpara ON y para interrumpir el proceso hay que volver a presionar. Para un mejor funcionamiento se debe colocar el mando de temperatura "TEMP. CONTROL" en "MIN".

**Autocomprobación**

Esta función le permite detectar problemas en el funcionamiento. Si cree que tiene un problema con su frigorífico-congelador pulse el mando de control de temperatura:

- Si las luces indicadoras se mueven hacia arriba y hacia abajo, su frigorífico-congelador no presenta ningún problema.
- Si las luces indicadoras no se mueven hacia arriba y hacia abajo, deje el aparato enchufado y diríjase a su servicio de asistencia técnica más próximo.

Alarma de la puerta

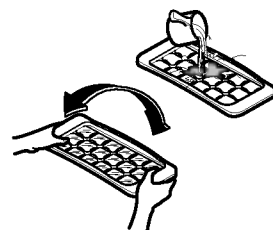
Cuando la puerta del refrigerador es dejado abierta por un momento, suena la alarma.

Producción de hielo

- Para hacer cubos de hielo, llene la bandeja de hielo hasta el nivel del agua indicado y colóquela en el congelador.

- Si es necesario que los cubos de hielo se hagan rápidamente, presione el botón "QUICK FREEZE".

- Para retirar los cubos de hielo, sujete la bandeja por los extremos y retuerza suavemente.

**Consejo**

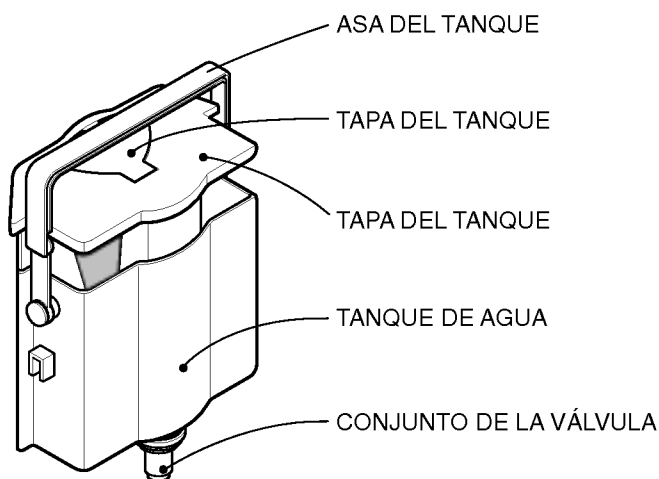
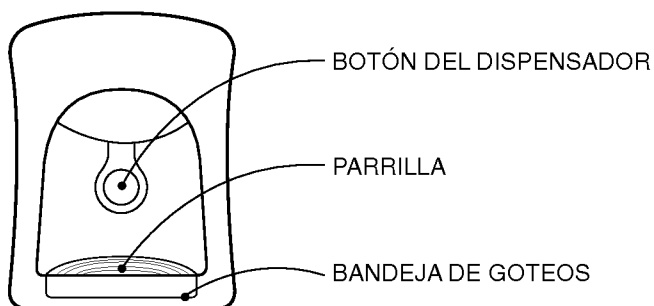
Para retirar fácilmente los cubos de hielo, pase la bandeja por agua corriente antes de retorcer.

Descongelación

La descongelación se lleva a cabo automáticamente. El agua de la descongelación converge en la bandeja de evaporización y se evapora automáticamente.

Dispensador (opcional)

Features



Instalación

Coloque el CONJUNTO DE LA VÁLVULA tras haberlo ajustado correctamente en el ORIFICIO DE LA PUERTA.

**Llenado del
TANQUE DE AGUA**

1. Gire el ASA del tanque hacia atrás con el TANQUE DE AGUA instalado en la PUERTA. Abra la TAPA DEL TANQUE (PEQUEÑA) y rellene con agua utilizando una tetera.
 - * Vierta el agua mirando al cristal de la parte delantera del TANQUE DE AGUA.
 - * Puede verter agua hasta alcanzar 4,5ℓ.
2. Presione y ajuste la TAPA DEL TANQUE (PEQUEÑA).
3. Ajuste el ASA DEL TANQUE en su posición adecuada después de verter el agua.

BEBIDA

1. Pulse el botón del dispensador con un vaso.
2. Al pulsar el botón, el agua del interior del dispensador sale.
3. Debe retirar el vaso con cuidado desde el botón de forma que el agua no caiga.

Atención

No vierta otro tipo de líquidos (leche, zumo, refrescos, etc.) que no sea agua. No vierta concretamente líquidos que sean granulosos (puede provocar fallos de funcionamiento).

Almacenamiento de alimentos

- No almacene alimentos que se estropeen fácilmente a bajas temperaturas, como el plátano y el melón.
- Deje enfriar la comida caliente antes de guardarla. Si se guarda comida caliente en el frigorífico-congelador, se pueden estropear otros alimentos y además el consumo de energía es mucho mayor.
- Para almacenar alimentos, utilice recipientes con tapas. Esto impide que se evapore la humedad y contribuye a mantener el sabor y el valor nutritivo de los alimentos.
- No bloquee con comida los tubos ventiladores. La circulación constante de aire frío mantiene uniforme la temperatura del frigorífico-congelador.
- No abra la puerta constantemente. Cuando se abre la puerta entra aire caliente en el frigorífico-congelador y esto conlleva un aumento de la temperatura.
- Para poder regular fácilmente el mando de la temperatura, evite almacenar comida cerca de la esfera del mando de la temperatura.
- No guarde demasiados alimentos en las baldas de la puerta, ya que esto puede impedir que la puerta se cierre totalmente.
- No ponga botellas en el compartimento del congelador ya que cuando se congelan pueden estallar.
- No vuelva a congelar comida que ha sido descongelada. Esto hace que los alimentos pierdan sabor y valor nutritivo.

Nota

Cuando el frigorífico-congelador está situado en un lugar caliente y húmedo, si se guardan muchos vegetales en el mismo o su puerta se abre constantemente se pueden formar gotas de agua en su interior sin que esto afecte a su rendimiento. Retire las gotas de agua con un paño seco.

Información General

Corte de energía

- Un corte de energía de 1-2 horas no perjudica la conservación de los alimentos. Procure evitar abrir y cerrar la puerta con mucha frecuencia.

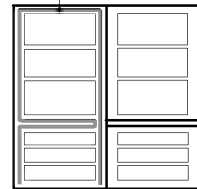
En caso de mudanza

- Retire toda la comida del frigorífico-congelador y precinte con firmeza todos los accesorios sueltos.
- Gire los tornillos reguladores hasta el tope antes de retirar el aparato; en caso contrario los tornillos pueden rayar el suelo o impedir el desplazamiento del frigorífico-congelador.

Tubo anticondensación

- El tubo anticondensación está instalado por toda la parte delantera del frigorífico-congelador así como en la línea divisoria entre el compartimento frigorífico y el compartimento congelador con el fin de evitar la formación de gotas.

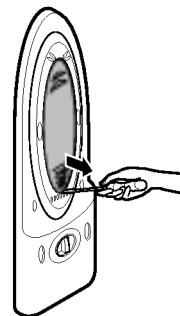
Anti-Condensation Pipe



- Es normal que el frigorífico-congelador se caliente, especialmente después de la instalación o cuando la temperatura ambiente es alta.

Sustitución de la lámpara

1. Desenchufe el cable de potencia de la toma.
2. Retire las parrillas del frigorífico.
3. Para retirar el protector de la lámpara, introduzca el destornillador modelo q en la parte inferior de la cubierta de la lámpara y tire hacia adelante.
4. Gire la lámpara en sentido contrario a las agujas del reloj.
5. Vuelva a instalar operando a la inversa.



La nueva lámpara debe tener las mismas características que la original.

Limpieza

Antes de limpiar

No olvide desenchufar el aparato.

Exterior

Limpie la parte exterior del aparato con un paño suave humedecido con agua caliente o detergente líquido. Si utiliza detergente, no olvide retirarlo con un paño húmedo limpio.

Interior

Siga las instrucciones del apartado anterior.

Después de limpiar

Compruebe que el cable de potencia no está deteriorado, que la clavija no esté sobrecalentada y que esté bien introducida en la toma de corriente.

Advertencia

No se olvide de secar el aparato con un paño después de lavarlo con agua.

No utilice abrasivos, petróleo, benceno, disolvente, ácido clorhídrico, agua hirviendo, cepillos ásperos, etc, ya que pueden deteriorar las piezas del frigorífico-congelador.

PARRILLA y BANDEJA DE GOTEOS

1. Retire la pieza del ORIFICIO de la PARRILLA con el dedo y, a continuación, retire la BANDEJA DE GOTEOS.
2. Si ha caído agua en la BANDEJA DE GOTEOS, limpie la PARRILLA y la BANDEJA DE GOTEOS.
3. Limpie la humedad que haya alrededor de la PUERTA y de la BANDEJA DE GOTEOS utilizando un trapo limpio.

Dispensador exterior

Limpie la humedad que haya alrededor del dispensador y del botón utilizando un trapo.

Tanque del agua

1. Levante el TANQUE DEL AGUA presionando sobre la PALANCA fija al final del TANQUE DEL AGUA y, a continuación, retírelo.
2. Limpie las piezas exteriores e interiores del TANQUE DEL AGUA utilizando un producto de limpieza neutro después de retirar la TAPA DEL TANQUE (GRANDE).

Tapa del tanque (grande y pequeña)

Limpie la tapa del tanque (grande y pequeña) con un producto de limpieza neutro.

Se le aconseja que utilice un cepillo pequeño para limpiar las ranuras de la TAPA DEL TANQUE.

Conjunto de la válvula

Limpie el CONJUNTO DE LA VÁLVULA con un cepillo pequeño. Límpielo mientras funciona la parte inferior del conjunto de la válvula. Fije siempre el sello de caucho que se separa para limpiarlo en la posición actual (puede que se produzcan escapes de agua).

Antes de acudir a la asistencia técnica, consulte la lista de abajo.

Esto supondrá un ahorro de tiempo y dinero.

Esta lista incluye los incidentes más frecuentes que no son debidos a la fabricación o materiales defectuosos de este aparato.

Problema

Posibles causas

El frigorífico-congelador no funciona

- Puede que la clavija esté desenchufada de la toma de corriente.
Enchúfela con firmeza.
- El fusible doméstico se ha quemado o ha saltado el interruptor.
Compruebe el fusible y sustitúyalo si es necesario, y vuelva a conectar el interruptor.
- Corte de energía.
Compruebe las luces de la casa.

Temperatura del Frigorífico o del Congelador demasiado caliente

- El mando de la temperatura no está situado en la posición adecuada.
Remítase a la sección Control de Temperatura.
- El aparato está próximo a una fuente de calor.
- Medio cálido – apertura frecuente de puertas.
- La puerta se mantiene abierta durante mucho tiempo.
- Algún envase impide que se cierre la puerta o bloquea el conducto de aire del compartimento congelador.

Vibración, traqueteo o ruidos anormales

- Puede que el suelo en el que el aparato está instalado no sea uniforme o que el frigorífico-congelador no esté firme.
Nivélelo girando el tornillo regulador.
- Presencia de objetos innecesarios en la parte trasera del aparato.

Escarcha o cristales de de hielo en comida congelada

- Puede que se haya dejado la puerta entreabierta o que un envase impide que ésta se cierre.
- Apertura de puerta prolongada o muy frecuente.
- Es normal que se formen escarchas dentro de los envases.

Problema

Acumulación de humedad en el aparato

Acumulación de humedad en el interior

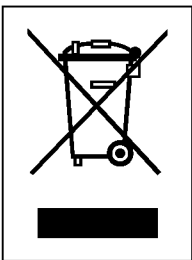
El frigorífico despidе mal olor

La puerta no cierra adecuadamente

La luz del interior no funciona

Posibles causas

- Es probable que esto suceda en un espacio húmedo.
Limpie con un paño seco.
- Apertura de puerta prolongada o muy frecuente.
- Cuando el ambiente es húmedo, al abrir las puertas el aire lleva la humedad hacia el frigorífico.
- Los alimentos que despiden mucho olor deben guardarse herméticamente o envolverse.
- Compruebe si hay comida estropeada.
- El interior necesita limpieza.
Remítase a la sección LIMPIEZA.
- Hay algún envase que impide que la puerta se cierre.
Retírelos.
- El frigorífico-congelador no está nivelado.
Ajuste los tornillos reguladores.
- Puede que el suelo en el que el aparato está instalado no sea uniforme o que el frigorífico-congelador no esté firme.
Eleve ligeramente la parte delantera con el tornillo regulador.
- No hay corriente en la toma.
- Hay que cambiar la lámpara.
Remítase a la sección Sustitución de lámpara



CÓMO DESHACERSE DE APARATOS ELÉCTRICOS Y ELECTRÓNICOS VIEJOS

1. Si en un producto aparece el símbolo de un contenedor de basura tachado, significa que éste se acoge a la Directiva 2002/96/CE.
2. Todos los aparatos eléctricos o electrónicos se deben desechar de forma distinta del servicio municipal de recogida de basura, a través de puntos de recogida designados por el gobierno o las autoridades locales.
3. La correcta recogida y tratamiento de los dispositivos inservibles contribuye a evitar riesgos potenciales para el medio ambiente y la salud pública.
4. Para obtener más información sobre cómo deshacerse de sus aparatos eléctricos y electrónicos viejos, póngase en contacto con su ayuntamiento, el servicio de recogida de basuras o el establecimiento donde adquirió el producto.

Para invertir el sentido de apertura de las puertas

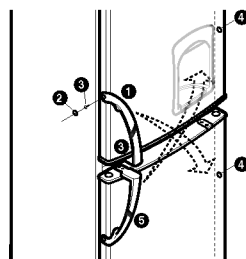
Su frigorífico/congelador ha sido diseñado con puertas reversibles, de tal forma que puedan abrirse hacia izquierda o derecha, a fin de adaptarse al diseño de su cocina.

Precaución

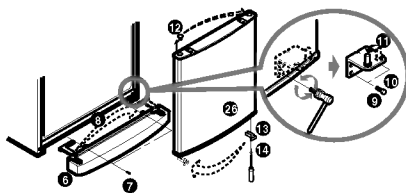
1. Antes de invertir el sentido de la puerta, retire toda la comida y accesorios de las baldas o bandejas no fijas del frigorífico/congelador.
2. Utilice una llave de torsión o de tuercas para fijar o extraer el perno.
3. No tumbé el frigorífico/congelador horizontalmente. Esto podría ocasionar problemas.
4. Tenga cuidado de no dejar caer las puertas durante el proceso de desmontaje o montaje.

Cómo invertir el sentido de apertura de las puertas

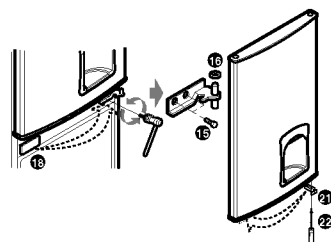
1. Quitar los TORNILLOS ③ tras extraer una TAPA ② de la parte derecha del ASA ① del frigorífico. Quitar los 2 TORNILLOS ③ de la parte inferior del ASA ① del frigorífico. El ASA ⑤ del congelador también puede separarse en la misma secuencia que el ASA ① del frigorífico.



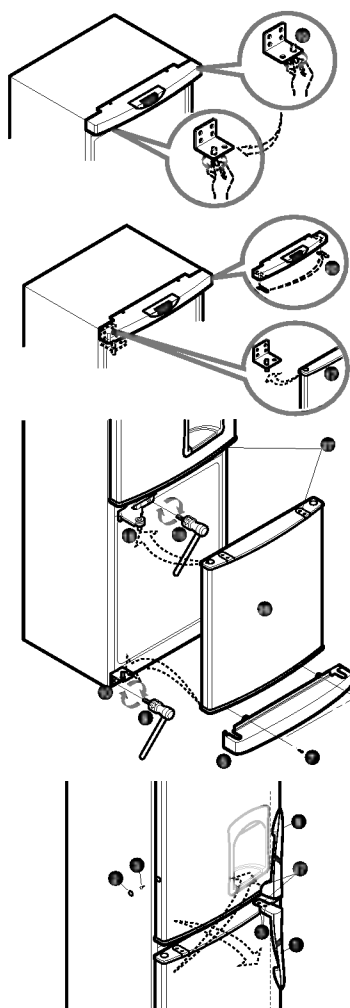
2. Quite el tornillo ⑦ y extraiga la tapa ⑥ y la cubierta de la tapa ⑧. Además, quite el tornillo ⑨, bisagra en L ⑩, y retire el perno ⑪. Retire la puerta del congelador ⑫, y desplace la tapa ⑬ de posición. Cambie la posición de la abrazadera de la puerta ⑬ y el tornillo ⑭.



3. Retire el perno ⑮ y la bisagra en C ⑯ y la puerta del frigorífico ⑰. Cambie la posición de la tapa ⑱. Cambie la posición de la abrazadera de la puerta ⑳ y el tornillo ㉑.

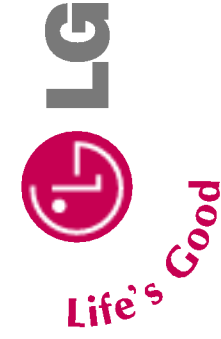


4. Cambie la posición del perno 19 de la bisagra en U, la tapa, montaje de la cubierta superior 20 bisagra en C 16 de montaje de la puerta del frigorífico 17 y el perno 15 de montaje de la puerta F 24 . Monte la bisagra en L 10 y el perno 9. Montaje de la cubierta inferior 6 y el tornillo 7.
5. Monte las ASAS 5 instaladas en el compartimento congelador existente, en el frigorífico. Ajuste la parte inferior de las ASAS sobre la ranura y, a continuación, apriete los 2 tornillos 3 tras extraer la TAPA 27 . Tras atornillar los TORNILLOS en el lateral de la PUERTA del frigorífico, presione e inserte la TAPA 2 . Inserte la TAPA 4 en el orificio en el que antes estaba instalada el ASA 1 . Las ASAS 1 del congelador se montan de forma idéntica a las anteriores, empleando las guías existentes.
6. Cese cuando alcance el punto donde el ASA 1 estaba instalada 5 utilizando la TAPA 27 extraída durante la instalación inicial.



Nota

El proceso de inversión del sentido de apertura de las puertas no está cubierto por la garantía.



TARJETA DE GARANTÍA

- 1.- Guarde durante todo el período de garantía esta tarjeta debidamente cumplimentada y sellada por la tienda junto con la factura de compra.
- 2.- Cuando requiera cualquier servicio de reparación deberá mostrar esta tarjeta de garantía.
- 3.- Para cualquier información sobre nuestros productos, nuestra compañía, o si tiene cualquier duda o quiere hacer alguna consulta puede hacerlo a través de nuestras web o nuestra línea de atención al cliente.
- 4.- Lea detenidamente el contenido de esta tarjeta de garantía.

DATOS DEL USUARIO Y DEL PRODUCTO

NOMBRE Y APELLIDOS:

DOMICILIO:

C. POSTAL:

PROVINCIA:

FECHA DE COMPRA:

Nº DE SERIE:

POBLACIÓN:

TELÉFONO:

MODELO:

SELLO DEL ESTABLECIMIENTO:

RELLENAR TODOS LOS DATOS POR EL ESTABLECIMIENTO O TIENDA EN EL MOMENTO DE LA COMPRA

DIRECTORIO DE CONTACTOS LG

902.500.234

Este es nuestro número de atención al cliente para cualquier tipo de consulta, reclamación o para requerir asistencia técnica.

<http://es.lgservice.com>

A través de esta web podrá descargarse manuales, actualizaciones de SW y realizar consultas técnicas por e-mail.

www.lge.es

Esta es nuestra página corporativa donde podrán encontrar información sobre nuestra compañía.

OFICINAS CENTRALES LG
ELECTRONICS ESPAÑA S.A.

Complejo Europa Empresarial
Edificio Madrid
Ctra. Nacional VI, Km. 24
28230 Las Rozas MADRID
Tel: (34-91)211.22.22
Fax: (34-91)211.22.46

CENTRAL DE SERVICIOS
TÉCNICOS LG
ELECTRONICS ESPAÑA S.A.

Pol. In. El Oliveral Sector 13
Parcela 27 A
Ribarroja del Turia 46190
VALENCIA
Tel: (34-902) 500.234
Fax: (34-96) 305.05.01

CERTIFICADO DE GARANTÍA (FRIGORÍFICOS)

REQUISITOS PARA LA VALIDEZ DE LA GARANTÍA

- 1) Para beneficiarse de la garantía, es IMPRESCINDIBLE presentar el certificado de garantía.
 - 1.1) En el periodo pre-venta (tienda), esta deberá reflejar el número de garantía, modelo del aparato y número de serie del mismo.
 - 1.2) En el periodo de garantía (usuario), deberá estar cumplimentada en todos sus puntos, coincidiendo la fecha de inicio de la garantía con la fecha de la factura de compra.
- 2) Para que la garantía sea válida, es IMPRESCINDIBLE que el usuario o tienda, cumplimenten en el momento de efectuar la adquisición, todos los apartos que en la misma se indican.
- 3) Los beneficios de la garantía solo serán válidos si se utilizan los Servicios Técnicos que LG ELECTRONICS ESPAÑA, S.A. tiene establecidos en su Red de Asistencia Técnica.

- 4) El aparato debe ser utilizado de conformidad con las instrucciones que se detallan en su manual.

- La garantía se aplica a los modelos de FRIGORÍFICOS.
- El periodo de garantía es el siguiente:
Desplazamiento: 6 meses
Piezas y mano de obra: 2 años

- Garantía extendida en este producto: Compresor 7 Años.
- La aplicación de la garantía comienza a partir de la fecha de adquisición (Fecha de la Factura).

EXCLUSIONES DE LA GARANTÍA

- Incumplimiento de cualquiera de los requisitos del punto anterior.
- Todo componente o accesorio interior o exterior del aparato, que no este especificado e incluido en este certificado de garantía.
- Las puestas en marcha (excepto side by side / o promociones exclusivas) y demostraciones de funcionamiento al usuario.
- Si la avería es producida por incendio, inundación, agentes meteorológicos, golpeo, aplastamiento o aplicación de voltaje o energía inadecuada.
- Los daños por el mal trato, incluidos los del transporte, que deberán reclamarse en presencia del personal de la compañía de transportes, por lo que conviene inspeccionar los paquetes antes de conformar los albaranes de entrega correspondientes.
- Las averías producidas por rotura o daño físicos, tales como carcassas, plásticos, pinturas, esmaltes, cristales, embellecedores y similares.
- Los productos por mal uso al no atender las instrucciones de funcionamiento y manejo que se adjuntan con cada aparato.
- Por la utilización de accesorios no adecuados en el aparato.
- Por la utilización de recambios no originales LG en el aparato.
- Fugas de refrigerante (gases, aceites, etc.).
- Fugas de agua (cuchillos, bandejas, tapas, etc.).
- Fugas de electricidad (cables, enchufes, etc.).
- Los aparatos que no tienen identificado el número de serie de fábrica o que éste haya sido alterado o borrado.
- Cuando el número de serie no concuerda con el número expresado en el certificado de garantía.
- Si el aparato es reparado o manipulado por personal no autorizado por LG ELECTRONICS ESPAÑA, S.A.
- Si el aparato de mantenimiento propios de cada aparato, cualquiera que sea su periodicidad.
- Cuando la avería la produce un componente o accesorio interno o externo al aparato no incluido o especificado en este certificado de garantía.
- Las averías producidas por el uso normal del aparato, tales como obstrucción de desagües, limpiezas de filtros, desgaste de correas de tracción, etc...

NOTA IMPORTANTE

- Durante el tiempo que dure la reparación, no se aborran daños y perjuicios por el tiempo que el aparato este fuera de servicio.
- LG ELECTRONICS ESPAÑA, S.A. no se hace responsable de los daños que un aparato pueda causar a elementos externos.
- La garantía de LG ELECTRONICS ESPAÑA, S.A. sustituye al impreso de origen para todo el territorio del estado español.
- Este aparato esta pensado y fabricado exclusivamente para uso domestico, nunca para uso industrial o profesional.

ÍNDICE

Introdução	Registro	42
	Medidas de segurança	42
	Identificação das peças	44
Instalação	Instalação	45
	Arranque	45
Funcionamento	Controlo de temperatura	46
	Congelação rápida	46
	Inactividade	47
	Autoverificação	47
	Alarme da porta	47
	Produção de gelo	47
	Descongelação	47
	Distributor	48
Recomendações quanto ao armazenamento de alimentos	Armazenamento de comida	50
Cuidados e manutenção	Informação geral	51
	Troca da lâmpada	51
	Limpeza	52
Localização e reparação de defeitos	Localização e reparação de defeitos	54
Como Inverter as Portas	Cuidado	56
	Como Inverter as Portas	56

Introdução

Registro

O modelo e o número de série figuram na parede posterior do aparelho. Tal número foi atribuído expressamente a este aparelho, não estando, portanto, disponível para outros. Aconselha-se preencher os dados abaixo e guardar esta guia como registo permanente da sua compra.

Data de compra : _____

Estabelecimento vendedor : _____

Morada do estabelecimento vendedor
: _____

Nº de telefone do estabelecimento vendedor
: _____

Nº de modelo : _____

Nº de série : _____

Medidas de Segurança

Advertências

O aparelho não deve ser utilizado até estar devidamente instalado e assente consoante as instruções pertinentes.

Nunca desligue o seu frigorífico-congelador puxando pelo cabo de alimentação. Segure firme a ficha e retire-a da tomada de corrente.

Ao afastar o aparelho da parede, tome cuidado para não enroscar ou danificar o cabo de alimentação.

Uma vez que o seu frigorífico-congelador esteja a funcionar, não toque as superfícies frias do compartimento do congelador, sobretudo quando as mãos estiverem molhadas ou húmidas, já que a pele pode ficar aderida às mesmas.

Medidas de segurança importantes

Advertências

Desligue a ficha eléctrica da tomada de corrente antes de limpar o frigorífico-congelador.

Evite danificar, dobrar em excesso, puxar ou torcer o cabo de alimentação, já que estragos no mesmo podem provocar um incêndio ou um choque eléctrico.

Nunca coloque embalagens de vidro no congelador porque podem rebentar ao congelar-se o conteúdo.

Tal pode causar um choque ou um incêndio.



Não modifique ou alongue o comprimento do Cabo Eléctrico

Não use extensões

Acesso à ficha

Na medida do possível, ligue o frigorífico-congelador a uma tomada de corrente individual para impedir que este e outros aparelhos, ou mesmo as luzes domésticas, provoquem uma sobrecarga.

A ficha do frigorífico/congelador deve estar num local de fácil acesso, de maneira a que possa ser rapidamente desligada em caso de emergência.

Reposição de Fio de Fornecimento

Se o fio de fornecimento for danado, tem que ser substituído por fabricante ou seu agente de serviço ou outra pessoa qualificada para evitar o risco.

Perigo

Para evitar que os miúdos fiquem trancados no seu antigo frigorífico, retire as portas do mesmo antes de o deitar fora e deixe as prateleiras no lugar para dificultar a entrada das crianças.

Inflamáveis

Não guarde nem use gasolina ou demais produtos inflamáveis perto deste ou de outros aparelhos.

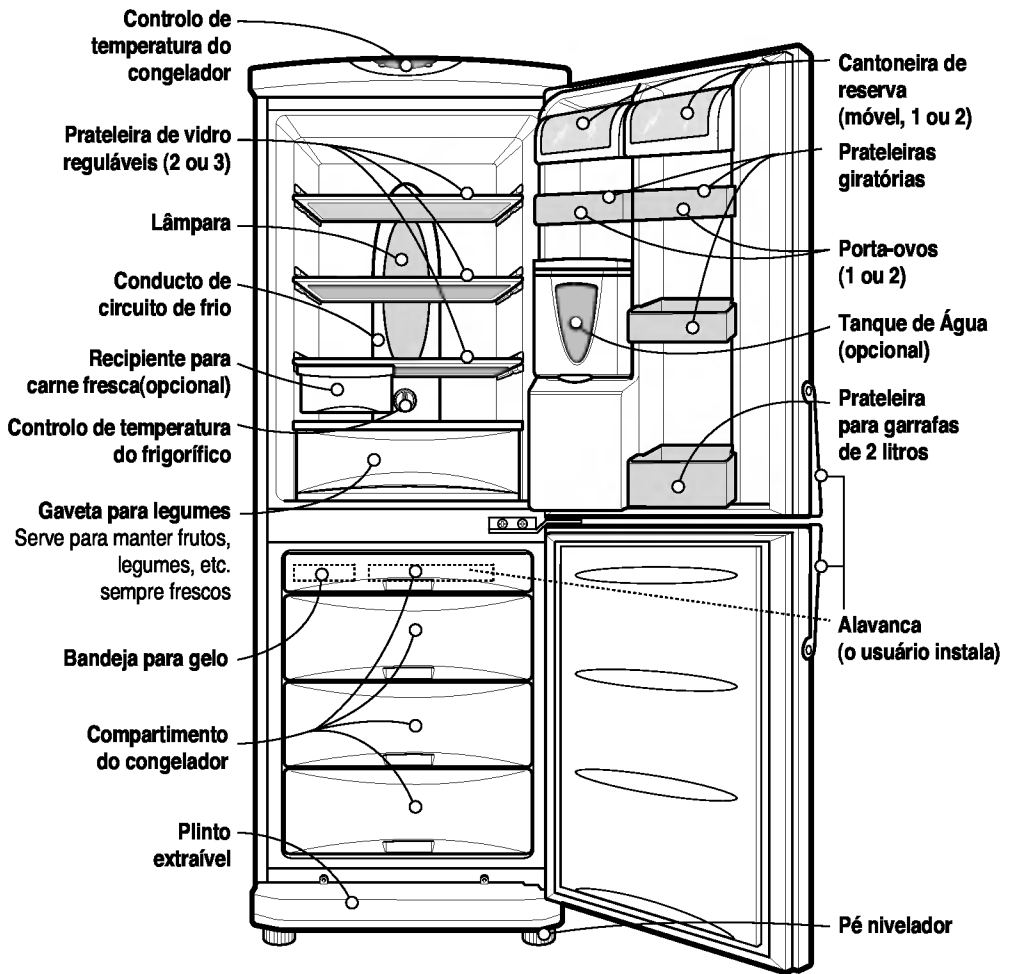
Ligação a terra

Caso se produza um curto-circuito, a ligação a terra reduz o risco de choque eléctrico já que oferece à corrente eléctrica uma via de escape. Para evitar possíveis choques eléctricos, este aparelho deverá dispor de uma derivação à terra. Se não tiver entendido bem as instruções relativas à ligação a terra ou não tiver certeza de que o aparelho está devidamente ligado à terra, dirija-se a um electricista qualificado ou a pessoal de assistência técnica.

⚠️ Aviso

- ⚠️ Não tape as aberturas de ventilação da caixa exterior ou interior do aparelho.
- ⚠️ Não utilize aparelhos mecânicos para acelerar o processo de descongelação a não ser os que tenham sido recomendados pelo fabricante.
- ⚠️ Não cause danos no circuito refrigerador.
- ⚠️ Não utilize aparelhos eléctricos no interior dos compartimentos para guardar comida do aparelho, a não ser os que tenham sido recomendados pelo fabricante.
- ⚠️ O gás de refrigeração e de isolamento que é usado no aparelho requer procedimentos de substituição especiais. Quando for necessária a substituição contacte um técnico ou alguém igualmente qualificado.

Identificação das peças



Observação

Se perceber que seu aparelho não dispõe de alguma destas peças, leve em conta certas peças só estão disponíveis em determinados modelos.

Introdução

1. Busque um lugar apropriado.
Instale o seu frigorífico-congelador onde o acesso seja fácil.
2. Evite expor o aparelho a fontes de calor, luz solar directa ou humidade.
3. A circulação do ar em torno de todo o aparelho é fundamental para que o aparelho funcione adequadamente.
4. Para evitar trepidações, comprove o perfeito nivelamento do aparelho.
Se o chão for irregular, adapte os pés niveladores para compensar o desnivelado.
O aparelho deverá ficar ligeiramente inclinado para trás de modo que as portas tendam a fechar-se por si mesmas.
Para girar facilmente os pés niveladores basta inclinar ligeiramente o aparelho.
Gire os pés niveladores no sentido (➡) contrário aos ponteiros do relógio para levantar o aparelho e no sentido (⬅) oposto para o baixar.
5. Limpe a fundo o seu frigorífico-congelador e tire todo o pó acumulado durante o transporte.
6. Instale os acessórios como a bandeja para gelo, etc. nos seus devidos lugares. Embalam-se juntos para evitar estragos durante o transporte.
7. Ligue o cabo de alimentação (ou ficha) à tomada de corrente. Não utilize a mesma tomada para outros aparelhos.
8. Para garantir uma circulação de ar adequada em redor do combinado, por favor mantenha livre um espaço suficiente de ambos os lados, bem como na parte superior, e mantenha livres pelo menos 2 polegadas (5cm) de espaço entre o combinado e a parede posterior.

Arranque

Uma vez instalado o frigorífico-congelador, deixe que se estabilize durante 2-3 horas a uma temperatura normal de funcionamento antes de o encher com produtos frescos ou congelados.

Se se desligar a ficha de tomada de corrente, aguarde 5 minutos antes de voltar a arrancar.

45 O seu frigorífico-congelador já está pronto para usar.

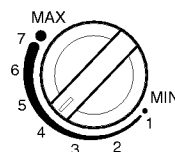
Controlo de temperatura

O seu frigorífico-congelador dispõe de dois comandos que permitem regular a temperatura dos compartimentos do frigorífico e do congelador.

Frigorífico

- Primeiro, posicione o comando de TEMP. CONTROLO de "4".

Depois regule a temperatura do compartimento como lhe convier.



TEMP. CONTROL

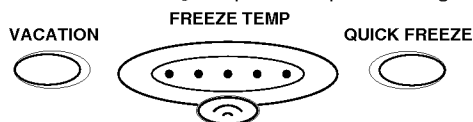
- Se quiser uma temperatura interior ligeiramente mais fria ou menos fria, gire o comando para MÁX ou MÍN respectivamente. Quando a temperatura circundante é baixa, ajusto o controlador de temperatura da geladeira para 'MIN'.

Congelador

- O comando de temperatura do congelador encontra-se na parte superior do frigorífico-congelador. Primeiro, posicione o comando de controlo de temperatura de Congelacão no meio. Carregando no comando de Temperatura do Congelador poderá regular a temperatura do Congelador conforme indica o número de lâmpadas acesas (a regulagem dispõe de 5 níveis; 5 lâmpadas acesas indicam o nível mais frio).

- Ao arrancar ou ao ligar a ficha eléctrica do frigorífico-congelador à tomada de corrente, a regulagem efectua-se automaticamente e o comando passa a posicionar-se no ponto médio.

- Lance mão desta função quando quiser congelar os



Congelação rápida

Alimentos rapidamente. Pressione o botão "QUICK FREEZE" uma vez e assim a operação de congelação rápida começará com a luz acesa. A operação de congelação rápida dura mais ou menos 3 horas. Ao



finalizar, volta automaticamente ao estado normal. Se quiser parar o processo de congelação rápida, volte a carregar no botão "QUICK FREEZE"; a luz apagar-se-á, o processo de congelação rápida deter-se-á e o frigorífico voltará ao estado normal.

Inactividade

Graças a esta função o frigorífico-congelador poderá seguir a trabalhar no modo de poupança de energia, o que é muito vantajoso quando se sai de férias, já que o consumo de energia se reduz ao máximo. Ao carregar em "VACATION" acciona-se o processo activando a luz ON; para deter o processo basta voltar a carregar. Para um funcionamento mais efetivo, seria conveniente posicionar o CONTROLO DE TEMP. No "MÍN".



Autoverificação

Esta função permite detectar problemas de funcionamento. Se achar que o seu aparelho apresenta algum problema, carregue no comando de controlo de temperatura:

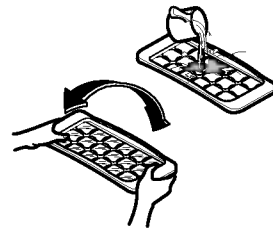
- Se as luzes indicadoras se moverem para cima e para baixo, é sinal de que o seu frigorífico-congelador não apresenta nenhum problema.
- Se as luzes indicadoras não se moverem para cima e para baixo, deixe o aparelho ligado à toma de corrente e contacte com o serviço de assistência técnica más próximo.

Alarme da Porta

Quando a porta do frigorífico for deixada aberta um certo tempo, tocará o alarme.

Produção de gelo

- Para fazer cubos de gelo, encha a fôrma de gelo até o nível de água indicado e coloque-a no congelador.
- Se precisar dos cubos de gelo rapidamente, carregue no botão "QUICK FREEZE".



- Para retirar os cubinhos de gelo, agarre a fôrma pelas extremidades e torça suavemente.

Dica

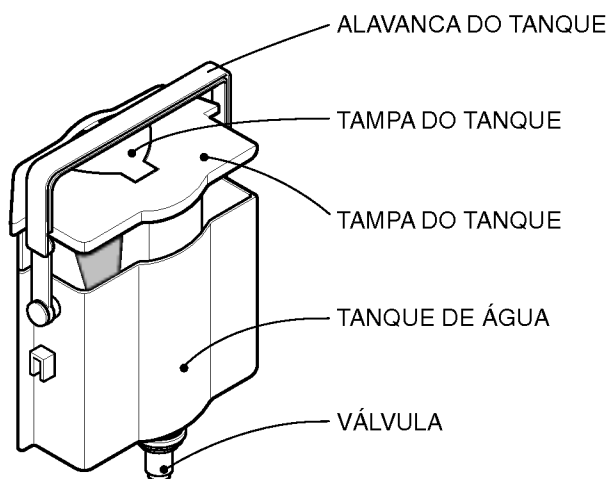
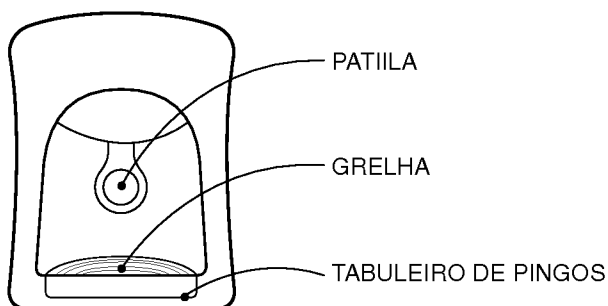
Para retirar os cubinhos de gelo mais facilmente, passe a fôrma por água corrente antes de a torcer.

Descongelação

A descongelação processa-se automaticamente. A água da descongelação escorre para a bandeja de evaporação e evapora-se automaticamente.

Distribuidor (opcional)

Features



Instalação

Faça a montagem da VÁLVULA após a ter correctamente ajustado com um ORIFÍCIO DA PORTA.

Enchimento do TANQUE DE ÁGUA

1. Após ter rodado a ALAVANCA do tanque para trás quando o TANQUE DE ÁGUA estiver instalado na porta, abra a TAMPA DO TANQUE (A PEQUENA) e encha-o com água.

* Encha com água olhando para o medidor de vidro na frente do TANQUE DE ÁGUA.

* O TANQUE tem uma capacidade de 4,5ℓ.

2. Torne a fechar a TAMPA DO TANQUE (A PEQUENA).
3. Após ter enchido com água mineral, torne a colocar a ALAVANCA DO TANQUE na posição correcta.

PARA BEBER

1. Encoste um copo à patilha de plástico e pressione.
2. Ao carregar na patilha, sai a água que se encontra no interior do Reservatório.
3. Se desencostar lentamente o copo da patilha, a água não sai.

Atenção

Não utilize outra bebida (leite, sumo, bebida gaseificada, etc) que não seja água mineral. Especialmente se se tratar de bebidas com grãos (pode causar uma avaria).

Armazenamento de comida

- Não armazene comida que se estraga facilmente a baixas temperaturas, como banana, melão, etc.
- Deixe a comida quente arrefecer antes de a guardar. Colocar comida quente no frigorífico-congelador pode estragar outras comidas, e gerar altas contas de luz.
- Para armazenar comida, utilize recipientes com tampas. Isso impede que a humidade evapore, e ajuda a manter o sabor e o valor nutritivo dos alimentos.
- Não bloqueie as passagens de ar com comida. Uma regular circulação de ar frio mantém a temperatura do frigorífico-congelador uniforme.
- Não abra a porta constantemente. Quando se abre a porta entra ar quente no frigorífico-congelador, o que acarreta a elevação da temperatura.
- Para poder regular o controlo de temperatura facilmente, evite armazenar comida perto do mostrador de controlo de temperatura.
- Nunca guarde muita comida nas prateleiras da contra-porta pois isso pode impedir que a porta se feche completamente.
- Nunca ponha garrafas no compartimento congelador-elas podem rebentar ao congelarem-se.
- Não volte a congelar comida que já foi descongelada. Isso acarreta perda de sabor e nutrientes.

Observação

Quando o frigorífico-congelador está situado num lugar quente e húmido, quando sua porta é aberta constantemente ou, ainda, quando nele se guarda uma grande quantidade de verduras, podem-se acumular gotículas de água no mesmo, o que não compromete o seu rendimento. Retire as gotículas com um pano seco.

Informação geral

Corte de energia

- Um corte de energia de 1-2 horas não prejudica a conservação dos alimentos. Procure evitar abrir e fechar a porta em demasia.

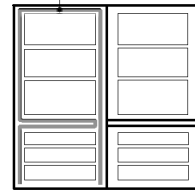
Em caso de mudança

- Tire toda a comida do frigorífico-congelador e precinte com firmeza todas as peças soltas.
- Gire os pés niveladores até o final antes de retirar o aparelho; caso contrário os parafusos podem arranhar o chão ou impedir a remoção do frigorífico-congelador.

Tubo anticondensação

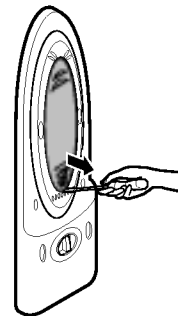
- O tubo anticondensação está instalado por toda a parte dianteira do frigorífico-congelador bem como na divisória entre o compartimento frigorífico e o compartimento congelador a fim de evitar a formação de gotículas
- É normal que o frigorífico-congelador se aqueça, nomeadamente após a instalação ou quando a temperatura ambiente é alta.

Tubo Anticondensação



Troca de lâmpada

1. Desligue o cabo de alimentação da tomada.
2. Retire as prateleiras do frigorífico.
3. Para retirar o protector da lâmpada, meta a chave de fenda tipo q na parte inferior do protector da lâmpada e puxe para a frente.
4. Rode a lâmpada no sentido contrário aos ponteiros do relógio
5. Volte a instalar invertendo o processo.



A nova lâmpada deve ser das mesmas características que a original.

Limpeza

Antes de limpar

Assegure-se de ter desligado o aparelho da tomada de corrente.

Exterior

Limpe a parte exterior do aparelho com um pano macio humedecido com água quente ou detergente líquido. Caso utilize detergente, lembre-se de enxaguar com um pano molhado limpo.

Interior

Idem

Depois de limpar

Comprove que o cabo de alimentação não esteja danificado, que a ficha não esteja sobreaquecida, e que esteja firmemente metida na tomada.

Advertência

Não esqueça de secar o aparelho com um pano após o lavar com água.

Não utilize abrasivos, petróleo, benzeno, dissolvente, ácido clorídrico, água fervente, escovas duras etc, já que podem estragar peças do aparelho.

GRELHA e TABULEIRO DE PINGOS

1. Após ter removido o ORIFÍCIO da GRELHA com o dedo, puxe lentamente o TABULEIRO DE PINGOS para fora.
2. Após ter retirado a água do TABULEIRO DE PINGOS, limpe e enxagúe a GRELHA e o TABULEIRO DE PINGOS.
3. Limpe a humidade à volta da PORTA e do TABULEIRO DE PINGOS utilizando um pano limpo.

Distribuidor exterior

Limpe a humidade e sujidade da parte de fora do Distribuidor e Patilha do Distribuidor com um pano.

Tanque de Água

1. Levante o TANQUE DE ÁGUA pressionado a ALAVANCA de fixação no fundo do TANQUE DE ÁGUA e de seguida remova-o
2. Após ter removido a TAMPA DO TANQUE (A GRANDE), limpe e enxagúe o interior/exterior do TANQUE DE ÁGUA utilizando um produto de limpeza não abrasivo.

Tampa do Tanque (Grande e Pequena)

Limpe e enxagúe a Tampa do Tanque (Grande e Pequena) utilizando um produto de limpeza não abrasivo.

Especialmente a ranhura da TAMPA DO TANQUE, que é melhor limpar com uma pequena escova.

Válvula

Limpe e enxagúe a VÁLVULA utilizando uma pequena escova. Enxagúe enquanto faz funcionar a parte do fundo da válvula. Limpe sempre a Borracha Vedante enquanto esta está na posição actual para evitar fugas de água.

Antes de acudir à assistência técnica, consulte a lista abaixo.

Isso poderá poupar-lhe tempo e dinheiro.

Esta lista apresenta as ocorrências mais comuns que não são fruto de fabrico ou utilização de materiais defeituosos neste aparelho.

Problema

Possíveis causas

O frigorífico-congelador não funciona

- A ficha eléctrica pode estar desligada da tomada. Ligue-a com firmeza.
- Fusível doméstico queimou-se ou o disjuntor desengatou-se. Verifique e/ou troque o fusível e restabeleça o disjuntor.
- Corte de energia. Comprove acendendo as luzes da casa.

Temperatura do Frigorífico ou do Congelador muito quente

- O comando do controlo de temperatura não está corretamente posicionado. Confira o item Controlo de Temperatura.
- O aparelho está instalado perto de uma fonte de calor.
- Calor ambiental – um abrir e fechar constante das portas.
- A porta ficou aberta durante muito tempo.
- Alguma embalagem está a impedir o fechamento da porta ou a obstruir o circuito de ar no compartimento congelador.

Trepidação, chocalhada ou ruído anormal

- O chão que sustenta o aparelho pode estar irregular ou o frigorífico-congelador pouco firme. Nivele-o corretamente desenroscando os pés niveladores.
- Presença de objectos desnecessários na parte traseira do aparelho.

Gelo ou cristais de gelo em comida congelada

- A porta pode ter sido deixada entreaberta ou alguma embalagem está a manter a porta aberta.
- Porta que se abre com demasiada frequência ou durante muito tempo.
- É normal que se formem placas de gelo dentro das embalagens.

Problema

**Acúmulo de
humidade na
superfície do móvel**

**Acúmulo de
humidade no
interior**

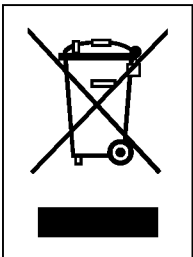
**O frigorífico cheira
mal**

**A porta não fecha
adequadamente**

**As luzes internas
não funcionam**

Possíveis causas

- É plausível que aconteça em ambientes húmidos. Enxugue com um pano seco.
- Porta que se abre com demasiada frequência ou durante muito tempo.
- Quando o tempo está húmido, o ar carrega a humidade para dentro do frigorífico quando se abrem as portas.
- Os alimentos que cheiram forte devem ser hermeticamente tampados ou embrulhados.
- Comprove se há comida estragada.
- É preciso limpar o interior. Confira o item LIMPEZA.
- Alguma embalagem está a manter a porta aberta. Retire as embalagens que impedem que a porta se feche.
- Frigorífico-congelador não está nivelado. Regule os pés niveladores.
- O chão que sustenta o aparelho pode estar irregular ou o frigorífico-congelador pouco firme. Deixe a parte dianteira ligeiramente mais alta adaptando os pés niveladores.
- Não há corrente na tomada.
- A lâmpada precisa ser trocada. Confira o item Troca de Lâmpada



ELIMINAÇÃO DO SEU ANTIGO APARELHO

1. Quando este símbolo de latão cruzado estiver afixado a um produto, significa que o produto é abrangido pela Directiva Europeia 2002/96/EC.
2. Todos os produtos eléctricos e electrónicos devem ser eliminados separadamente do lixo doméstico através de pontos de recolha designados, facilitados pelo governo ou autoridades locais.
3. A eliminação correcta do seu aparelho antigo ajuda a evitar potenciais consequências negativas para o ambiente e para a saúde humana.
4. Para obter informações mais detalhadas acerca da eliminação do seu aparelho antigo, contacte as autoridades locais, um serviço de eliminação de resíduos ou a loja onde comprou o produto.

Como Inverter as Portas

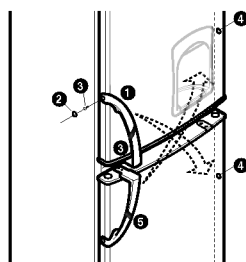
O seu frigorífico/congelador foi concebido com portas reversíveis, para poderem ser abertas pelo lado esquerdo ou direito, para melhor se adaptarem à disposição da sua cozinha.

Cuidado

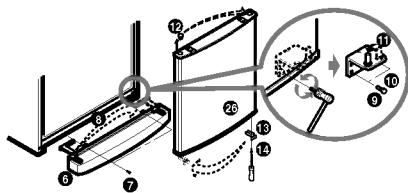
1. Antes de inverter uma porta deverá, primeiro, retirar da unidade os alimentos e acessórios, como prateleiras ou tabuleiros, que não se encontrem fixos ao frigorífico/congelador.
2. Utilize uma Chave Dinamométrica ou uma Chave-inglesa para fixar ou remover o parafuso.
3. Não coloque o frigorífico/congelador deitado. Tal pode causar problemas.
4. Tenha cuidado para não deixar cair as portas durante a montagem ou desmontagem.

Como Inverter as Portas

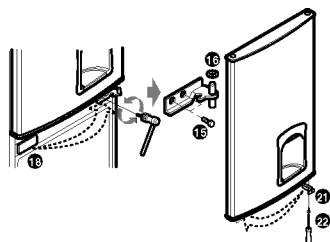
1. Retire os PARAFUSOS 3 depois de remover a TAMPA 2 do lado direito da PEGA 1 do compartimento do frigorífico. Remova 2 PARAFUSOS 3 da parte inferior da PEGA 1 do compartimento do frigorífico. A PEGA 5 do compartimento do frigorífico pode também ser removida pela mesma sequência utilizada para remover a PEGA 1 do compartimento do frigorífico.



2. Remova o parafuso 7 e a Cobertura 6, e mova a Tampa da Cobertura 8. Depois, remova o parafuso 9, a Dobradiça L 10 e a cavilha 11. Retire a Porta do Congelador e mude a posição da tampa 12. Mova a 26 posição do braço da porta 13 e do parafuso 14.



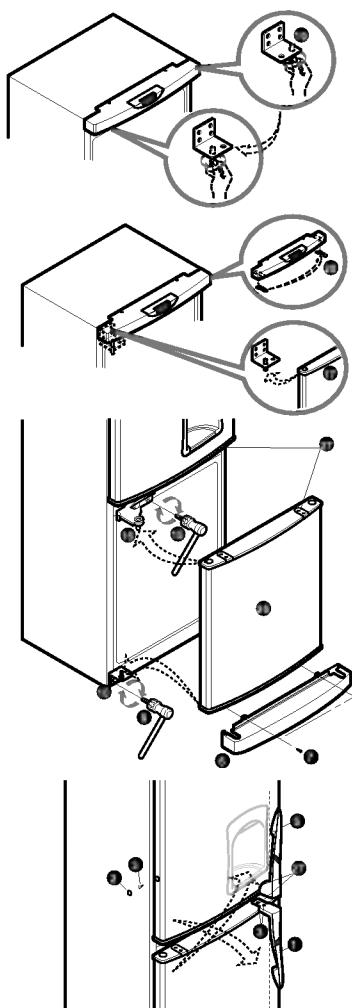
3. Retire o parafuso 15, a Dobradiça C 16 e a Porta do Frigorífico 17. Mude a posição da tampa 18. Mova a posição do braço da porta 22 e do parafuso 21.



4. Mova a posição da cavilha da Dobradiça U **19**, da Tampa e da Cobertura Superior **20**. Monte a Porta do Frigorífico **17**. Monte a Dobradiça C **16** e o parafuso **15**. Monte a Porta do Congelador **23**. Monte a Dobradiça L **10** e o parafuso **9**. Monte a Cobertura Inferior **6** e o parafuso **7**.

5. Instale as PEGAS **5** que estavam instaladas no compartimento do congelador, no frigorífico. Ajuste a parte inferior das PEGAS ao orifício e aperte os 2 parafusos **3** após ter removido a TAMPA **27**. Depois de ter aparafusado os PARAFUSOS na parte lateral da PORTA do compartimento do frigorífico, prima e introduza a TAMPA **2**. Introduza a TAMPA **4** no orifício onde estava previamente instalada a PEGA **1**. As PEGAS **1** do compartimento do congelador são montadas da mesma forma acima descrita, utilizando o material existente.

6. Tape o orifício onde estava instalada a PEGA **1**, **5** utilizando a TAMPA **27** que tinha sido removida na instalação inicial.



Nota

O processo de inversão das portas não está coberto pela garantia deste produto.



P/No. MFL31177103