

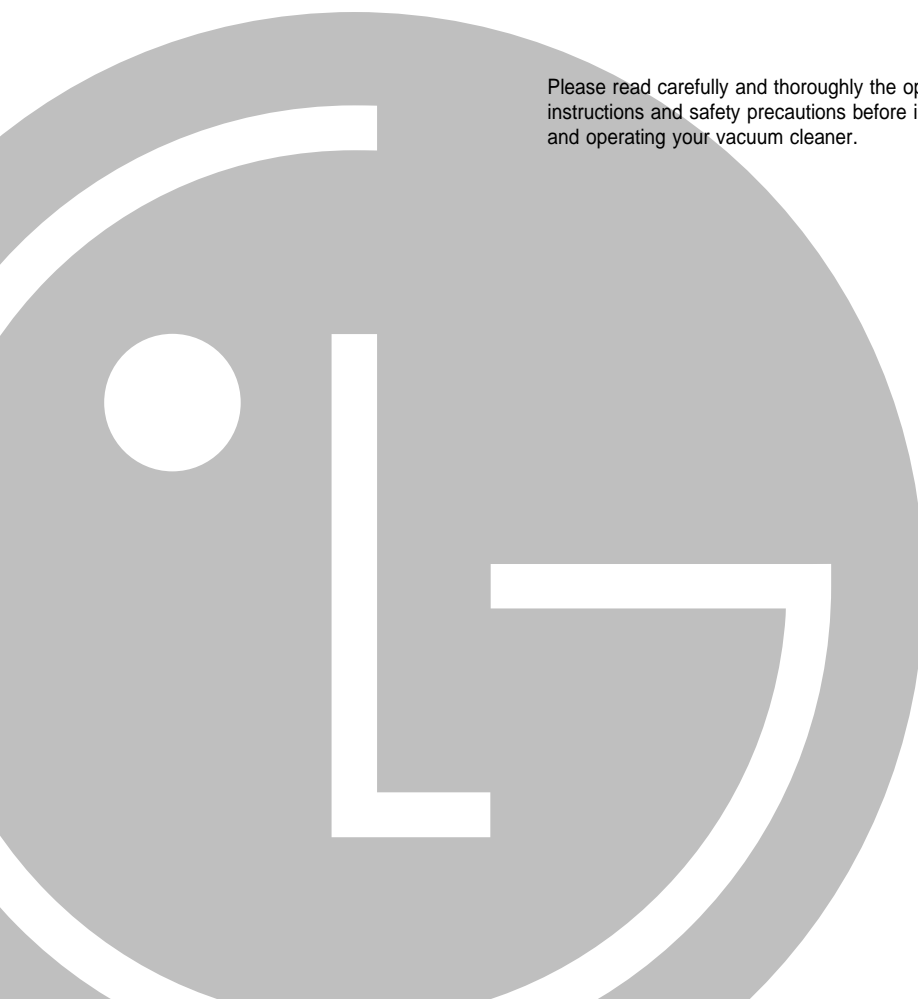


# Vacuum Cleaner

## **OWNER'S MANUAL**

**MODEL: VP0716WNVQD**

Please read carefully and thoroughly the operating instructions and safety precautions before installing and operating your vacuum cleaner.



# IMPORTANT SAFETY INSTRUCTIONS

Read and follow all instructions before using your vacuum cleaner to prevent the risk of fire, electric shock, personal injury, or damage when using the vacuum cleaner. This guide does not cover all possible conditions that may occur. Always contact your service agent or manufacturer about problems that you do not understand. This appliance complies with the following ECDirectives :-73/23/EEC, 93/68/EEC-Low Voltage Directive-89/336EEC -EMC Directive.



This is the safety alert symbol.

This symbol alerts you to potential hazards that can kill or hurt you and others.

All safety messages will follow the safety alert symbol and either the word "WARNING" or "CAUTION." These words mean:



**WARNING**

This symbol will alert you to hazards or unsafe practices which could cause serious bodily harm or death.



**CAUTION**

This symbol will alert you to hazards or unsafe practices which could cause bodily injury or property damage.



**WARNING**

- **Disconnect electrical supply before servicing or cleaning the unit or when cleaner is not in use.**

Failure to do so could result in electrical shock or personal injury.

- **Do not use vacuum cleaner to pick up anything that is burning or smoking such as cigarettes, or hot ashes.**

Doing so could result in death, fire or electrical shock.

- **Do not vacuum flammable or explosive substances such as gasoline, benzene, thinners, propane (liquids or gases).**

The fumes from these substances can create a fire hazard or explosion. Doing so could result in death or personal injury.

- **Do not handle plug or vacuum cleaner with wet hands.**

Doing so could result in death or electrical shock.

- **Do not unplug by pulling on cord.**

Doing so could result in product damage or electrical shock. To unplug, grasp the plug, not the cord.

- **Keep hair, loose clothing, fingers, and all parts of the body away from openings and moving parts.**

Failure to do so could result in electrical shock or personal injury.

- **Do not pull or carry by cord, use cord as a handle, close a door on cord, or pull cord around sharp edges or corners. Do not run vacuum cleaner over cord. Keep cord away from heated surfaces.**

Failure to do so could result in electrical shock or personal injury or fire or product damage.

- **Do not allow to be used as toy. Close attention is necessary when used by or near children.**

Personal injury or product damage could result.

- **Do not use the vacuum cleaner if the power cord or plug is damaged or faulty.**

Personal injury or product damage could result. In these cases, contact LG Electronics Service Agent to avoid hazard.

- **Do not use vacuum cleaner if it has been under water.**

Personal injury or product damage could result. In these cases, contact LG Electronics Service Agent to avoid hazard.



## WARNING

- **Do not continue to vacuum if any parts appear missing or damaged.**

Personal injury or product damage could result. In these cases, contact LG Electronics Service Agent to avoid hazard.

- **Do not use an extension cord with this vacuum cleaner**

Fire hazard or product damage could result.

- **Using proper voltage.**

Using improper voltage may result in damage to the motor and possible injury to the user. Proper voltage is listed on the bottom of vacuum cleaner.

- **Turn off all controls before unplugging.**

Failure to do so could result in electrical shock or personal injury.

- **Do not change the plug in any way.**

Failure to do so could result in electrical shock or personal injury or product damage. Doing so result in death. If plug does not fit, contact a qualified electrician to install the proper outlet.

- **Repairs to electrical appliances may only be performed by qualified service engineers.**

Improper repairs may lead to serious hazards for the user.

- **Do not plug in if control knob is not in OFF position.**

Personal injury or product damage could result. (Depending on model)

- **Keep children away and beware of obstructions when rewinding the cord to prevent personal injury.**

The cord moves rapidly when rewinding. (Depending on model)

- **The hose contains electrical wires. Do not use it if it is damaged, cut or punctured.**

Failure to do so could result in death, or electrical shock. (Depending on model)

# IMPORTANT SAFETY INSTRUCTIONS



## CAUTION

- **Do not put any objects into openings.**  
Failure to do so could result in product damage.
- **Do not use with any opening blocked: keep free of dust, lint, hair, and anything that may reduce air flow.**  
Failure to do so could result in product damage.
- **Do not use vacuum cleaner without dust tank and/or filters in place.**  
Failure to do so could result in product damage.
- **Do not use vacuum cleaner to pick up sharp hard objects, small toys, pins, paper clips, etc.**  
They may damage the cleaner or dust bin.
- **Store the vacuum cleaner indoors.**  
Put the vacuum cleaner away after use to prevent tripping over it.
- **The vacuum cleaner is not intended to use by young children or infirm people without supervision.**  
Failure to do so could result in personal injury or product damage.
- **Only use parts produced or recommended by LG Electronics Service Agents.**  
Failure to do so could result in product damage.
- **Use only as described in this manual. Use only with LG recommended or approved attachments and accessories.**  
Failure to do so could result in personal injury or product damage.
- **To avoid personal injury and to prevent the machine from falling when cleaning stairs, always place it at the bottom of stairs.**  
Failure to do so could result in personal injury or product damage.
- **Use accessory nozzles in sofa mode.**  
Failure to do so could result in product damage.
- **Make sure the filters (exhaust filter and motor safety filter) are completely dry before replacing in the machine.**  
Failure to do so could result in product damage.
- **Do not dry the filter in an oven or microwave.**  
Failure to do so could result in fire hazard.
- **Do not dry the filter in a clothes dryer.**  
Failure to do so could result in fire hazard.
- **Do not dry near an open flame.**  
Failure to do so could result in fire hazard.
- **Always clean the dust bin after vacuuming carpet cleaners or fresheners, powders and fine dust.**  

These products clog the filters, reduce airflow and can cause damage to the cleaner. Failure to clean the dust bin could cause permanent damage to the cleaner. (Depending on model)
- **Don't grasp the tank handle when you are moving the vacuum cleaner.**  
The vacuum cleaner's body may fall when separating tank and body. Personal injury or product damage could result. **You should grasp the carrier handle** when you are removing the vacuum cleaner. (Depending on model)
- **If after emptying the dust tank the indicator light is on (red), clean the dust tank.**  
Failure to do so could result in product damage. (Depending on model)

# IMPORTANT SAFETY INSTRUCTIONS



## CAUTION

### **Thermal protector :**

This vacuum cleaner has a special thermostat that protects the vacuum cleaner in case of motor overheating. If the vacuum cleaner suddenly shuts off, turn off the switch and unplug the vacuum cleaner. Check the vacuum cleaner for possible source of overheating such as a full dust tank, a blocked hose or clogged filter. If these conditions are found, fix them and wait at least 30 minutes before attempting to use the vacuum cleaner. After the 30 minute period, plug the vacuum cleaner back in and turn on the switch.

## 2. CONTENTS AND SPECIFICATION

### 2.1. Carton Content

- 2.1.1 Carefully unpack the carton.
- 2.1.2 Locate the two side clasps which hold the top section in place.
- 2.1.3 Undo the clasps, remove the top section and take out the items in the tank.
- 2.1.4 Check and identify each component as listed below. If anything is missing or damaged please contact your supplier immediately.

### 2.2. Specifications

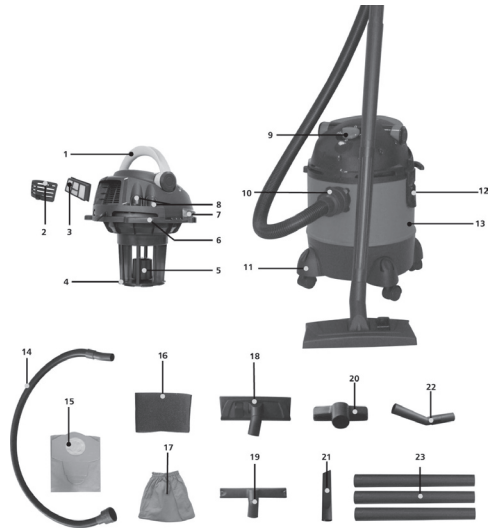
Motor 220V ~ 50Hz

Filter - Dry

Paper Bag and Re-usable filter

Filter - Wet Foam filter.

Item	Description
1	Handle.
2	Exhaust outlet cover for HEPA filter.
3	HEPA filter.
4	Shut-off valve basket.
5	Floating cup valve.
6	Cable storage hook.
7	Accessory storage hole.
8	Extension tube holder
9	Main switch.
10	Vacuum hose inlet.
11	Foot with castor.(x4)
12	Clasp. (x2)
13	Tank
14	Hose.
15	Dust bag.
16	Foam filter.
17	Reusable bag
18	Combo nozzle
19	Floor nozzle
20	Gulper tool
21	Crevice tool
22	Air regulator handle
23	Plastic tubes.(x3)

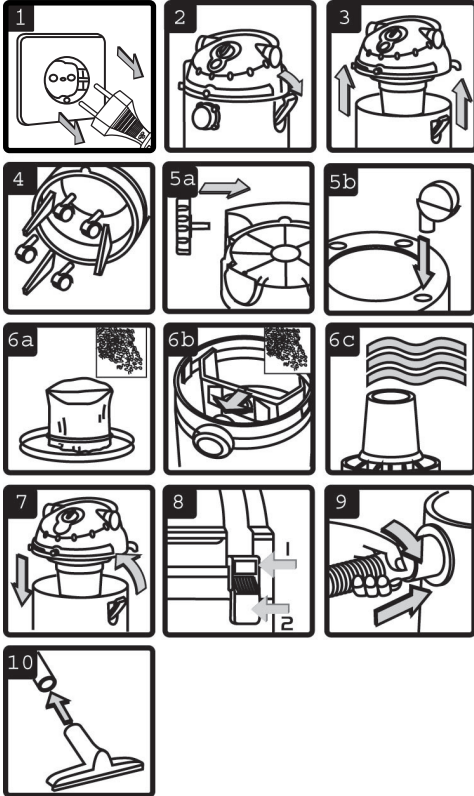


## 3. ASSEMBLY

- 3.1. Ensure the mains plug is disconnected.(fig.1)
- 3.2. Undo tank clasps.(fig.2)
- 3.3. Lift off the top section assembly.(fig.3)
- 3.4. Remove contents from inside the tank.(fig.4)
- 3.5. Turn the container upside down and insert the four feet with castors in the tank. Ensuring they are mouted correctly pushed all the way in. Screw on it tile tight.(fig.5a 5b)
- 3.6a. For dry vacuum cleaning fit the supplied reusable bag.(fig.6a)
- 3.6b. For dry suction fit the supplied dust bag. Inlet of the dust bug must go over the rib on the suction seat.(fig.6b)
- 3.6c. For wet suction fit the supplied foam filter.(fig.6c)
- 3.7. Re-assemble the top to the tank.(fig.7)
- 3.8. Fasten the 2 clasps.(fig.8)
- 3.9. Attach the suction hose to the suction inlet on the front of the

tank.

- 3.10. Fit the required accessory to the base of the extension tube or hose. Fit the air diffuser handle. Connect the suction hose. (fig.10)




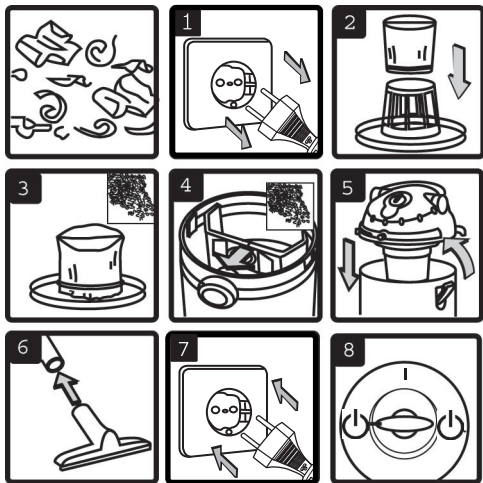
## 4. DRY VACUUM CLEANING

**WARNING!** Ensure you read, understand and apply Section 1 'Safety Instructions'.  
**Reminder: DO NOT vacuum hazardous substances. Use of an incorrect dust bag will invalidate your warranty.**

- 4.1. Ensure the machine is unplugged

from the power supply.

- 4.2. Re-usable filter. Ensure it is clean and dry. Place the re-usable filter over the valve basket and adjust. Correct adjustment requires the ring to hold the re-usable filter snug against the ribs of the top section.
- 4.3. Be sure the re-usable filter completely covers the filter basket. Also check to ensure that all edges of the re-usable filter are secure under the mounting ring.
- 4.4. Dust Bag. Pull the dust bag flange over the inlet stub, taking care not to damage the bag.
- 4.5. Re-position the head onto the tank, and clip in place.
- 4.6. Insert the larger end of the flexible hose into the front inlet on the tank and lock in place. Push the required attachment onto the free end of the hose.
- 4.7. Plug in the power supply
- 4.8. Switch the motor to vacuum only (position:  .)
- 4.9. When you have completed vacuuming, turn the switch to 'Off'. (position '1'), and unplug from power supply. Regularly check the dust bag and dispose of safely when it is 2/3 full. The bag is manufactured so that only air, not dust, will pass through the paper and as such the dust bag must not be re-used.
- DO NOT** use the dust bag and re-usable filter for wet or sharp materials.



suction action when the tank has reached its maximum capacity. The user will notice an increase in motor noise. When this happens, turn off the machine, disconnect from power supply, remove the head from the tank and empty the liquid into a suitable receptacle or drain. To continue vacuuming, refit the head and proceed. After wet vacuuming, turn the machine off and remove plug from power supply. Empty the tank and clean/dry the inside and outside before storage. **Remember! After wet vacuuming the foam filter must be removed and the re-usable filter or the dust bag must be fitted before dry vacuuming again.**

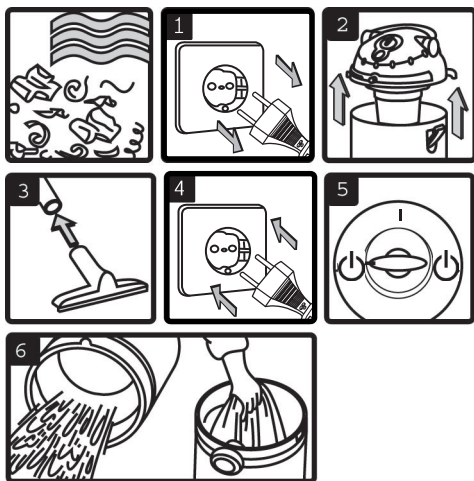
## 5. WET VACUUM CLEANING

- 5.1. Ensure the machine is unplugged from the power supply. Make sure the tank is clean and free from dust and dirt.
- 5.2. Remove the dust bag and re-usable filter; ensure the foam filter is clean and dry. Place the foam filter over the basket filter and adjust carefully.
- 5.3. Fit the required accessories or tubes to the suction hose.
- 5.4. Ensure the switch is 'Off' (position 'I') before plugging into the power supply.
- 5.5. Turn the switch to 'On' (position:



- 5.6. After use, empty the tank and dry.

To vacuum large quantities of liquid, from a sink or tank etc., do not immerse the nozzle completely in the liquid; leave a gap at the top of the nozzle opening to allow an air inflow. The machine is fitted with a float valve which blocks the

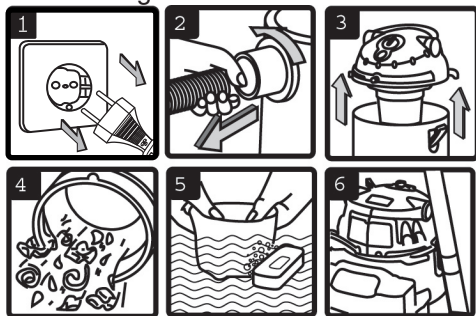


## 6. MAINTENANCE

- 6.1. Ensure the machine is unplugged from the power supply.
- 6.2. Disconnect the hose from the tank.
- 6.3. Undo the clasps and remove the motor head from the tank.
- 6.4. Clear out any dirt or debris from the tank and hose.
- 6.5. Clean the foam filter by washing it

in a mild soapy solution.

6.6. Check the hoses and attachments regularly, and check the power cable to make sure it is not damaged.



## 7. TROUBLESHOOTING

<b>Cleaner will not operate.</b>	<ol style="list-style-type: none"> <li>1. No power supply.</li> <li>2. Faulty power cable, switch or motor.</li> <li>3. Tank full of liquid.</li> </ol>	<ol style="list-style-type: none"> <li>1. Check supply</li> <li>2. Unit has to be checked, repaired or exchanged by qualified service experts.</li> <li>3. Empty tank</li> </ol>
<b>Dust comes from the motor cover.</b>	<ol style="list-style-type: none"> <li>1. Dust bag or filter missing, damaged or badly fitted.</li> </ol>	<ol style="list-style-type: none"> <li>1. Re-fit or replace dust bag or filter.</li> </ol>
<b>Reduced efficiency and increased motor noise /vibration.</b>	<ol style="list-style-type: none"> <li>1. Dust bag full.</li> <li>2. Nozzle, hose or tank inlet blocked.</li> </ol>	<ol style="list-style-type: none"> <li>1. Replace dust bag.</li> <li>2. Check nozzle, hose and tank inlet for blockage.</li> </ol>

## 8. CONSUMABLES

Dust Bag-Set  
 Reusable Filter Set  
 Foam Filter Set

**IMPORTANT! YOU MUST CHANGE THE REUSABLE FILTER AND DUST BAG REGULARLY. IF THE MACHINE IS USED WITHOUT THE RE-USABLE FILTER OR A DUST BAG THE MOTOR WILL BURN OUT PREMATURELY AND YOUR GUARANTEE WILL BE INVALIDATED. ALWAYS KEEP A PACK OF SPARE BAGS HANDY.**



**LG Electronics Inc.**

<http://www.lge.com>



# Aspiradora

## *Manual de dueño*

***Modelo:VP0716WNVQD***

Lee con atención y a fondo las instrucciones de operación y precauciones de seguridad antes de instalar y operar su aspiradora.

# INSTRUCCIONES IMPORTANTES DE SEGURIDAD

Lea y siga todas las instrucciones antes de utilizar su aspiradora para evitar riesgo de incendios, descargas eléctricas, lesiones personales o daños cuando la utilice. Esta guía no cubre todos los casos posibles que pueden ocurrir. Contacte siempre con su técnico de servicio o con el fabricante para solucionar problemas que no entienda. Este aparato cumple las siguientes directivas de la CE: -73/23/EEC,93/68/EEC-Directiva sobre bajo voltaje-89/336EEC -Directiva EMC.



Éste es el símbolo de alerta de seguridad.

Este símbolo le alerta de los peligros que podrían causarle la muerte a usted o a otros. Todos los mensajes de seguridad aparecerán después del símbolo de alerta y la palabra "ADVERTENCIA" o "PRECAUCIÓN". Estas palabras significan:



## ADVERTENCIA

Este símbolo le alertará de peligros o de prácticas inseguras que podrían causar daños corporales graves o la muerte.



## PRECAUCIÓN

Este símbolo le alertará de peligros o de prácticas inseguras que podrían causar heridas corporales o daños a la propiedad.



## ADVERTENCIA

- **Desconecte el suministro eléctrico antes de realizar el mantenimiento o de limpiar la unidad o cuando no se utilice.**  
No hacerlo podría provocar descargas eléctricas o lesiones personales.
- **No aspire ningún objeto en llamas o que eche humo, como cigarrillos o cenizas calientes.**  
Si lo hace, podría resultar en muerte, un incendio o una descarga eléctrica.
- **No aspire sustancias inflamables o explosivas como la gasolina, el benceno, disolventes o propano (líquidos o gases).**  
El humo de estas sustancias puede resultar en riesgo de incendio o explosiones. Si lo hace, podría provocar la muerte o lesiones personales.
- **No manipule el enchufe o la aspiradora con las manos húmedas.**  
Si lo hace, podría provocar la muerte o una descarga eléctrica.
- **No desenchufe la unidad estirando del cable.**  
Si lo hace, podría dañar el producto o provocar una descarga eléctrica. Para desenchufar, hágalo por la clavija, no por el cable.
- **Mantenga el pelo, ropa suelta, dedos y todos los miembros del cuerpo alejados de las aperturas y piezas móviles.**  
No hacerlo podría provocar descargas eléctricas o lesiones personales.
- **No tire del cable ni arrastre la aspiradora con él, no use el cable como asa, no pille el cable con una puerta ni tire de él en bordes o esquinas afilados. No pase la aspiradora sobre el cable. Mantenga el cable alejado de las superficies calientes.**  
Si no lo hace, podría provocar descargas eléctricas, lesiones personales, un incendio o dañar el producto.
- **No deje que se utilice como juguete. Es necesario prestar atención al usarla cerca de niños o cuando éstos la usen.**  
Podría sufrir lesiones o dañar el producto.
- **No utilice la aspiradora si el cable de alimentación o el enchufe están dañados o defectuosos.**  
Podría sufrir lesiones o dañar el producto. En estos casos, llame a un agente de servicio de LG Electronics para evitar peligros.
- **No use la aspiradora sin haberla reparado si anteriormente estuvo sumergida en agua.**  
Podría sufrir lesiones o dañar el producto. En estos casos, llame a un agente de servicio de LG Electronics para evitar peligros.
- **No continúe aspirando si aparece algún defecto, si falta alguna pieza o si está dañada.**  
Podría sufrir lesiones o dañar el producto. En estos casos, llame a un técnico de servicio de LG Electronics para evitar peligros.

## ADVERTENCIA

- **No utilice un cable de extensión con esta aspiradora.**

Existe riesgo de incendios o de dañar el producto.

- **Utilización del voltaje adecuado.**

Usar un voltaje inadecuado puede resultar en daños al motor y posibles lesiones al usuario.

El voltaje adecuado aparece en la parte inferior de la aspiradora.

- **Apague todos los controles antes de desenchufar.**

No hacerlo podría provocar descargas eléctricas o lesiones personales.

- **No modifique la clavija de ningún modo.**

De lo contrario, podría provocar descargas eléctricas, lesiones personales, un incendio o dañar el producto. Hacerlo podría provocar la muerte. Si el enchufe no entra, llame a un electricista cualificado para instalar un enchufe apropiado.

- **Sólo los técnicos de mantenimiento cualificados pueden realizar reparaciones en aparatos eléctricos.**

Las reparaciones inadecuadas pueden provocar graves peligros para el usuario.

- **No enchufar si el regulador está en la posición ON (Encendido).**

Podría sufrir lesiones o dañar el producto.

(Dependiendo del modelo)

- **Aleje a los niños y despeje el camino al recoger el cable para evitar lesiones personales.**

El cable se mueve rápidamente cuando se recoge.

(Dependiendo del modelo)

- **El conducto contiene cables eléctricos. No la utilice si está dañada, cortada o perforada.**

No hacerlo podría ocasionar la muerte o descargas eléctricas.

(Dependiendo del modelo)

# INSTRUCCIONES IMPORTANTES DE SEGURIDAD



## PRECAUCIÓN

- **No coloque ningún objeto en las aberturas.**

De lo contrario podría provocar daños en el producto.

- **No utilice el aparato con alguna abertura bloqueada: elimine el polvo, los hilillos, los pelos o lo que pueda reducir el flujo de aire.**

De lo contrario podría provocar daños en el producto.

- **No use la aspiradora sin el depósito para polvo y/o los filtros instalados en su lugar.**

De lo contrario podría provocar daños en el producto.

- **No use la aspiradora para aspirar objetos puntiagudos, duros, juguetes de pequeño tamaño, alfileres, sujetapapeles, etc.**

Podrían dañar la aspiradora o el depósito para polvo.

- **Guarde la aspiradora en un sitio cubierto.**

Guarde la aspiradora después de usarla para evitar tropezar con ella.

- **Este aparato no está diseñado para ser utilizado por niños de corta edad ni por enfermos sin supervisión.**

De lo contrario, podría provocar descargas eléctricas, lesiones personales, un incendio o dañar el producto.

- **Utilice sólo las piezas que produce o recomienda el técnico de servicio de LG Electronics.**

De lo contrario podría provocar daños en el producto.

- **Utilice únicamente como se describe en este manual.**

**Utilice únicamente con acoples y accesorios que apruebe o recomiende LG.**

De lo contrario, podría provocar descargas eléctricas, lesiones personales, un incendio o dañar el producto.

- **Utilice sólo las piezas que produce o recomienda el técnico de servicio de LG Electronics.**

De lo contrario podría provocar daños en el producto.

- **Utilice únicamente como se describe en este manual.**

**Utilice únicamente con acoples y accesorios que apruebe o recomiende LG.**

De lo contrario, podría provocar descargas eléctricas, lesiones personales, un incendio o dañar el producto.

- **Para evitar lesiones personales y que la máquina se caiga al limpiar escaleras, colóquela siempre en la parte inferior de éstas.**

De lo contrario, podría provocar descargas eléctricas, lesiones personales, un incendio o dañar el producto.

- **Debe utilizar boquillas en el modo para sofás.**

De lo contrario podría provocar daños en el producto.

- 1) **La capacidad de succión puede reducirse si se aspira polvo demasiado fino. En este caso, limpie el filtro del aire y la guía de aire (páginas 11 y 12)**

- 2) **Tras vaciar el depósito para polvo y cuando el indicador esté encendido (luz roja) o parpadee, limpie el filtro de aire, la guía de aire, el depósito para polvo y la tapa. (Página 11)**

De lo contrario podría provocar daños en el producto. Cuando el indicador siga parpadeando durante 2 o 3 minutos, la potencia de succión se reducirá para proteger el motor (del sobrecalentamiento)

- **Asegúrese de que el filtro (filtro de escape, filtro de aire, filtro de seguridad del motor) esté completamente seco antes de volver a colocarlo en la máquina.**

De lo contrario podría provocar daños en el producto.

- **No seque el filtro en un horno o en un microondas.**

De lo contrario podría provocar un incendio.

- **No seque el filtro en una secadora de ropa.**

De lo contrario podría provocar un incendio.

- **No secar cerca de una llama sin protección.**

De lo contrario podría provocar un incendio.

## PRECAUCIÓN

- **Limpie siempre el depósito para polvo tras aspirar limpiadores para alfombras, aromatizantes, polvos y polvo fino.**

Estos productos obstruyen los filtros, reducen el flujo de aire y pueden dañar la aspiradora. Si no limpia el depósito para polvo podría dañar permanentemente la aspiradora.

(Dependiendo del modelo)

- **Cuando mueva la aspiradora, no la sujete del asa del depósito.**

La aspiradora podría caerse cuando separe el depósito y el cuerpo de la aspiradora. Podría sufrir lesiones o dañar el producto. Cuando mueva la aspiradora, debe sujetarla del asa de transporte. (Página 10)

(Dependiendo del modelo)

- **Tras vaciar el depósito de polvo y cuando se encienda el indicador (luz roja) o parpadee, limpie el depósito.**

De lo contrario podría provocar daños en el producto.

(Dependiendo del modelo)

### **Protector térmico:**

Esta aspiradora tiene un termostato especial que la protege en caso de recalentamiento del motor. Si la aspiradora se apagara de repente, apague usando el interruptor y desenchufe la aspiradora. Verifique la aspiradora para cerciorarse de que no hay ninguna posible fuente de recalentamiento, como sucedería si el depósito de polvo estuviese lleno, el conducto bloqueado o el filtro atascado. Si se dieran estos problemas, solúciónelos y espere al menos 30 minutos antes de intentar utilizar la aspiradora. Transcurridos 30 minutos, vuelva a enchufar la aspiradora y enciéndala mediante el interruptor. Si, aún así, la aspiradora no funciona, póngase en contacto con un electricista cualificado.

---

---

## 2. Contenidos y especificaciones

### 2.1 Contenido del cartón

- 2.1.1 Desempaquete el cartón cuidadosamente.
- 2.1.2 Ponga los dos lados de corchete que está en la encima de sección bien.
- 2.1.3 Deshaga el corchete, quite la tapa de sección y quite los artículos en el tanque.
- 2.1.4 Examine y identifique cada componente como se lista abajo. Si cualquier elemento se falta o se daña, conecte con su surtidor enseguida por favor.

### 2.2 Especificaciones

Motor 220V-50Hz

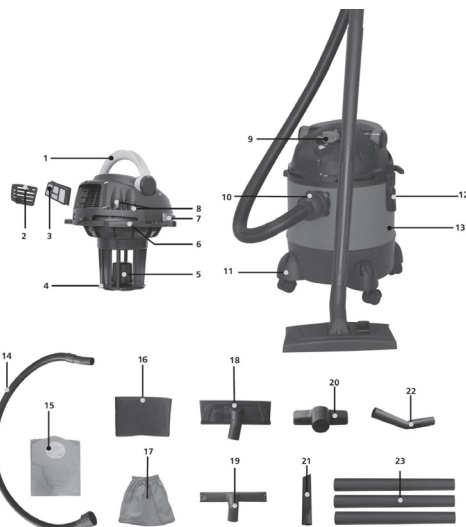
Filtro-seco

Bolsa de papel y filtro reutilizable

Filtro-mojado filtro de la espuma

#### Ítem Descripción

- |    |   |
|----|---|
| 1  | Manija  |
| 2  | Cubierta de enchufe de extractor para HEPA filtro |
| 3  | HEPA filtro                                       |
| 4  | Cierre válvula de cesta                           |
| 5  | Válvula de la taza del flotador                   |
| 6  | Gancho del almacenaje del cable                   |
| 7  | Agujero de almacenaje accesorio                   |
| 8  | Sostenedor del tubo de la extensión               |
| 9  | Interruptor principal                             |
| 10 | Entrada de la manguera de aspirar                 |
| 11 | Pie con el echador(x4)                            |
| 12 | Corchete(x2)                                      |
| 13 | Tanque  |
| 14 | Manguera  |
| 15 | Bolsa de polvo                                    |
| 16 | Filtro de la espuma                               |
| 17 | Bolso reutilizable                                |
| 18 | Inyector combo                                    |
| 19 | Inyector del piso                                 |
| 20 | Herramienta del gulper                            |
| 21 | Herramienta de la grieta                          |
| 22 | Manija del regulador del aire                     |
| 23 | Tubos plásticos(x3)                               |



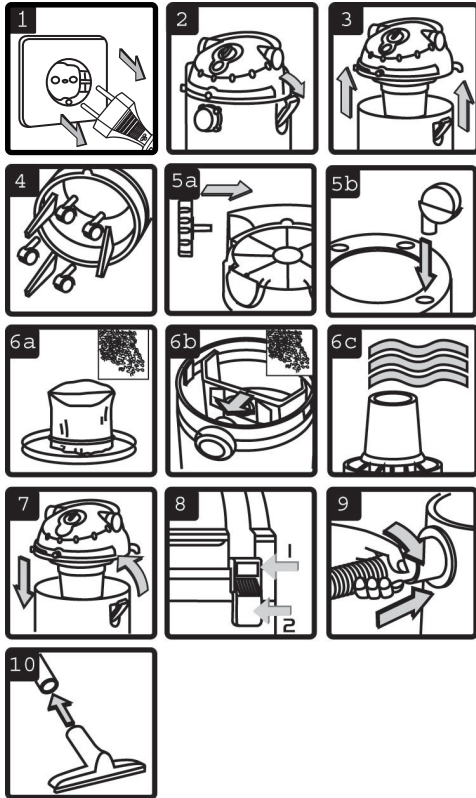
---

---


## 3. Asamblea

- 3.1 Asegura que el enchufe principal está desconectado(fig.1)
- 3.2 Deshaga el corchete del tanque (fig.2)
- 3.3 Quite la sección superior asamblea (fig.3)
- 3.4 Quite contenidos del dentro del tanque (fig.4)
- 3.5 Mueva el lado superior del envase abajo y rellene los cuatro pies con echadores en el tanque. Asegure que ellos se ponen correctamente empujando entodos las líneas.El tornillo está en su azulejo(fig.5a 5b)
- 3.6a Para la aspiradora seca ajuste el proveído de bolsa reutilizable.(fig. 6a)
- 3.6b Para la succión seca ajuste el proveído de bolsa de polvo.La entrada de polvo tiene que pasar la costilla en asiento de la succión. (fig. 6b)
- 3.6c Para succión mojada ajuste el proveído de filtro de la espuma(fig. 6c)
- 3.7 Vuelva a montar el superior del tanque(fig.7)
- 3.8 Sujete los 2 corchetes (fig.8)
- 3.9 Corchete la manguera de la succión a entrada de la succión en frente del tanque.

3.10 Ajuste el accesorio requerido a la base de tubo de la extensión manguera. Ajuste manija del difusor del



aire. Conecte succión de la manguera. (fig. 10)

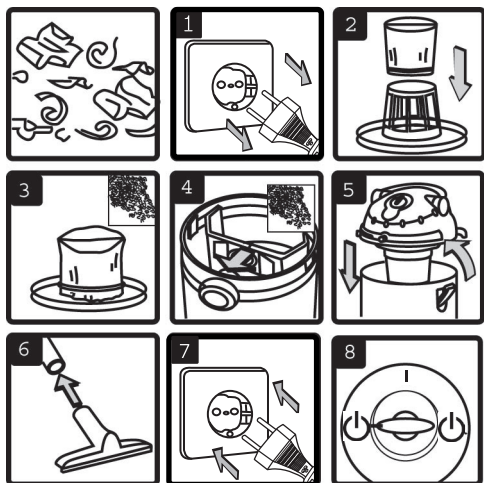
- 4.2 Filtro reutilizable. Asegure que él está limpio y seco. Ponga el filtro reutilizable sobre la cesta de la válvula y ajuste. El ajuste correcto necesita el anillo para asir el filtro reutilizable contra las costillas de sección superior.
- 4.3 Asegure que el filtro reutilizable cubre la cesta de filtro completamente. También examine para asegurar que todos bordes del filtro reutilizable están debajo de anillo de montaje.
- 4.4 Bolsa de polvo. Empuje la bolsa de polvo sobre el trozo de la entrada, cuidando no dañar la bolsa.
- 4.5 Reponga la cabeza en el tanque y cogerla bien.
- 4.6 Rellene el terminal mayor de la manguera flexible en la entrada delantera del tanque y ciérrela bien. Empuje accesorio necesario en el terminal libre de la manguera.
- 4.7 Enchufe la fuente de alimentación.
- 4.8 Interrumpa el motor hasta aspirar solo. (posición )
- 4.9 Cuando usted ha aspirado completamente, mueva el interruptor hasta "off", (posición 1) y desenchufe de la fuente de alimentación. Examine la bolsa de polvo regularmente y disponga seguramente cuando está 2/3 llena. La bolsa es manufacturada, por eso solo aire, no polvo puede pasar el papel y la bolsa de polvo no tiene que ser reutilizada.

**No use** la bolsa de polvo y filtro reutilizable para materiales mojados y agudos.

## 4. Aspiradora seca


**¡Alarma! Asegure que lee, entiende y aplíquese "Instrucciones de seguridad" de Sección 1. Recuerde: no aspire sustancias peligrosas. La usa incorrecta de la bolsa de polvo va a invalidar su garantía.**

4.1 Asegure que la máquina está desenchufado de fuente de alimentación.

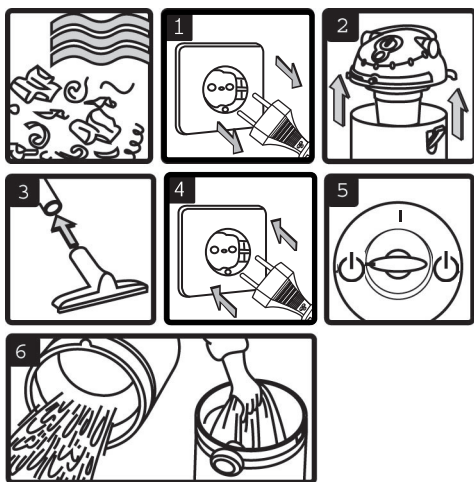


de flotador que bloquea la acción de la succión cuando el tanque llegue su máxima capacidad. El usuario tiene que notar un aumento en el ruido del motor. Cuando esto ocurra, apague la máquina, desconecte con la fuente de alimentación, quite la cabeza del tanque y vacíe el líquido en un receptáculo o dren adecuado. Para continuar aspirando, reinstale la cabeza y proceda. Después de aspirar mojando, apague la máquina y quite el enchufe de la fuente de alimentación. Vacíe el tanque y limpie/sequé el dentro y afuera antes almacenaje. **¡Recuerde! Después de aspirar mojando, el filtro de la espuma tiene que ser quitado y el filtro reutilizable o bolsa de polvo tienen que ser cabidos antes de aspirar secando otra vez.**

## 5. Aspiradora de humedad

- 5.1 Asegure que la máquina está desenchufada de la fuente de alimentación. Hacer seguro que el tanque está limpio y libre de polvo y suciedad.
- 5.2 Quite la bolsa de polvo y filtro reutilizable: asegure que el filtro de la espuma está limpio y seco. Ponga el filtro de la espuma sobre la cesta de filtro y ajuste cuidadosamente.
- 5.3 Ajuste los accesorios necesarios de tuberías a la manguera de la succión.
- 5.4 Asegure que el interruptor está "Off" (posición 1) antes de enchufar a la fuente de alimentación.
- 5.5 Mueva el interruptor a "On" (posición )
- 5.6 Después de usar, vacíe el tanque y séquelo.

Para aspirar gran cantidad de líquido de un fregadero o tanque etc, no sumerja el inyector completamente en el líquido. Aleje un boquete en el superior del inyector abierto para dejar entrar el aire. La máquina se ajusta con una válvula



## 6. Mantenimiento

- 6.1 Asegure que la máquina se desenchufe de la fuente de alimentación.
- 6.2 Desconecte la manguera del tanque.
- 6.3 Deshaga los corchetes y quite la cabeza del motor del tanque.
- 6.4 Limpie cualquier suciedad o ruina de tanque y manguera.
- 6.5 Limpie el filtro de la espuma lavándolo con una solución jabonosa y suave.

6.6 Examine mangueras y accesorio regularmente y examine cable de transmisión para asegurar que no están dañados.



## 8. Consumibles

Conjunto de Bolsa de polvo  
 Conjunto de filtro reutilizable  
 Conjunto de filtro de la espuma

**¡IMPORTANTE! TIENE QUE CAMBIAR EL FILTRO REUTILIZABLE Y BOLSA DE POLVO REGULARMENTE. SI LA MAQUINA SE USA SIN EL FILTRO REUTILIZABLE O UNA BOLSA DE POLVO EL MOTOR VA A QUEMAR PREMATURAMENTE Y SU GARANTIA VA A SER INVALIDA. SIEMPRE MANTENGA UN PAQUETE DE BOLSAS DE REPUESTO.**

## 7. Localización de averías

El limpiador no tiene que operar	<ol style="list-style-type: none"> <li>1. No tiene fuente de alimentación</li> <li>2. Culpa de cable de transmisión, interruptor o motor.</li> <li>3. El tanque está lleno de líquido</li> </ol>	<ol style="list-style-type: none"> <li>1. Examine la fuente de alimentación.</li> <li>2. La unidad tiene que ser examinada, reparada o cambiada por expertos calificados de servicio</li> <li>3. Vacíe el tanque</li> </ol>
Polvo viene de el cubierto de motor	<ol style="list-style-type: none"> <li>1. La falta, el daño o mal cabido de bolsa de polvo o filtro.</li> </ol>	<ol style="list-style-type: none"> <li>1. Reinstale la bolsa de polvo o filtro</li> </ol>
Reducir eficacia y aumentar el ruido del motor/ vibración	<ol style="list-style-type: none"> <li>1. La bolsa de polvo está lleno</li> <li>2. La entrada de inyector, de manguera y de tanque está bloqueado.</li> </ol>	<ol style="list-style-type: none"> <li>1. Substituya la bolsa de polvo</li> <li>2. Examine la entrada de de inyector, de manguera y de tanque</li> </ol>



**LG Electronics Inc.**

<http://www.lge.com>