

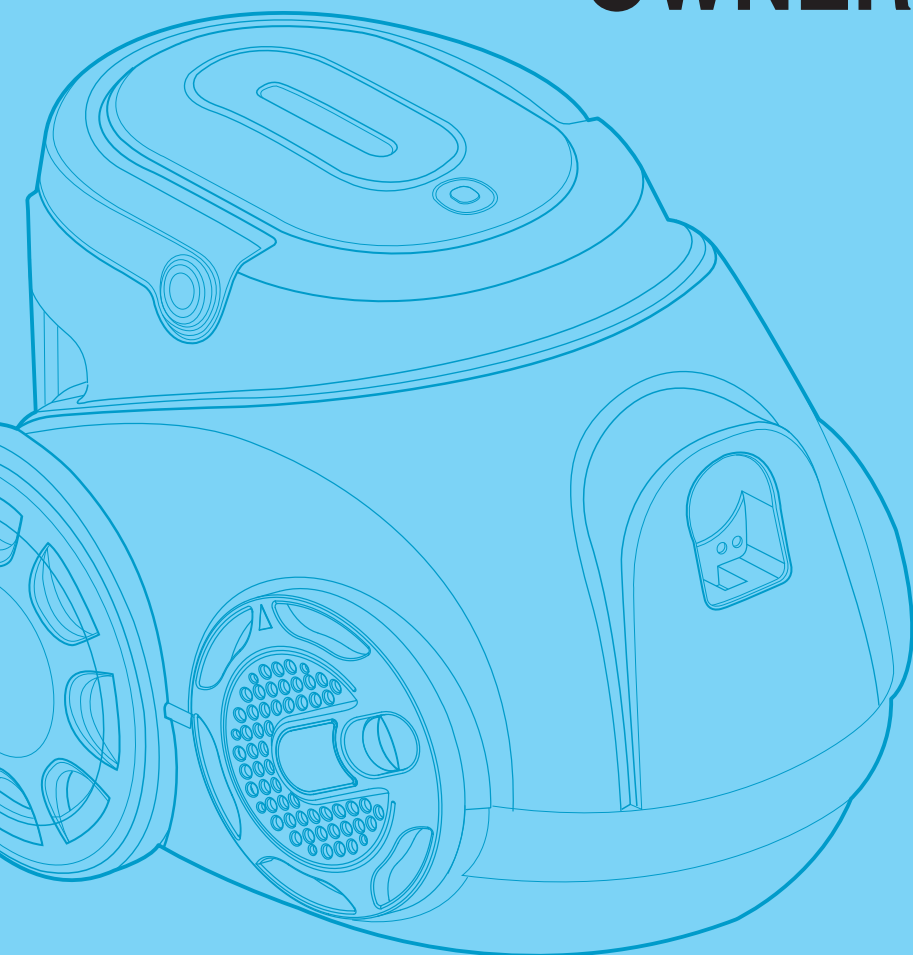
Model	single+		
Language	English		
Page	20 PAGE	Color(cover/body)	1/1
Material	Weight 100G	Size(W*H)	190*260
Date	2008. 9. 02	Designer	Liyanjun
Part No.	MFL38975110	Description	MANUAL, OWNERS

Chage Record

No.	Change content	ECO No.	Date	Designer	Confirm
①					
②					
③					
④					
⑤					
⑥					
⑦					
⑧					
⑨					

OWNER'S MANUAL

V-CD3*1HT*



Bagless vacuum cleaner

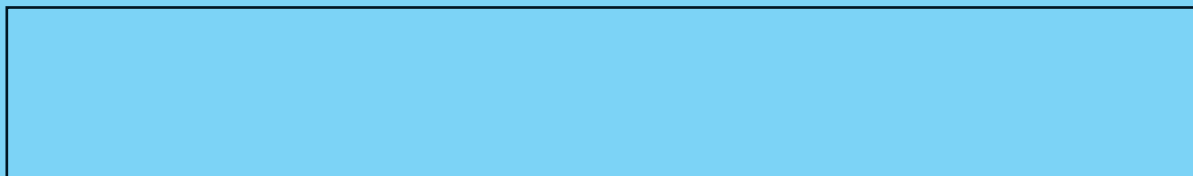




Table of contents

Important Safety Instructions	4 ~ 5
How to use	6
Assembling cleaner	6
Using the cleaning head and Accessory Nozzles	8
Emptying the dust chamber	10
Operation	11
Cleaning the dust chamber.....	12
Cleaning the exhaust filter	13
Cleaning/changing filter	14
User's Guide for Sani Punch Vacuum Nozzle	15
Cleaning Vacuum Nozzle for Bedding	17
What to do if your appliance does not work	19
What to do when the suction performance reduces?	19



IMPORTANT SAFETY INSTRUCTIONS

Read and follow all instructions before using your vacuum cleaner to prevent the risk of fire, electric shock, personal injury, or damage when using the vacuum cleaner. This guide does not cover all possible conditions that may occur. Always contact your service agent or manufacturer about problems that you do not understand. This appliance complies with the following EC Directives: -73/23/EEC, 93/68/EEC-Low Voltage Directive-89/336/EEC-EMC Directive.



This is the safety alert symbol.

This symbol alerts you to potential hazards that can kill or hurt you and others.

All safety messages will follow the safety alert symbol and either the word "WARNING" or "CAUTION."

These words mean:



WARNING

This symbol will alert you to hazards or unsafe practices which could cause serious bodily harm or death.



CAUTION

This symbol will alert you to hazards or unsafe practices which could cause bodily injury or property damage.



WARNING

- **Disconnect electrical supply before servicing or cleaning the unit or when cleaner is not in use.**
Failure to do so could result in electrical shock or personal injury.
- **Do not use vacuum cleaner to pick up anything that is burning or smoking such as cigarettes, or hot ashes.**
Doing so could result in death, fire or electrical shock.
- **Do not vacuum flammable or explosive substances such as gasoline, benzene, thinners, propane (liquids or gases).**
The fumes from these substances can create a fire hazard or explosion. Doing so could result in death or personal injury.
- **Do not handle plug or vacuum cleaner with wet hands.**
Doing so could result in death or electrical shock.
- **Do not unplug by pulling on cord.**
Doing so could result in product damage or electrical shock. To unplug, grasp the plug, not the cord.
- **Keep hair, loose clothing, fingers, and all parts of the body away from openings and moving parts.**
Failure to do so could result in electrical shock or personal injury.
- **Do not pull or carry by cord, use cord as a handle, close a door on cord, or pull cord around sharp edges or corners. Do not run vacuum cleaner over cord. Keep cord away from heated surfaces.**
Failure to do so could result in electrical shock or personal injury or fire or product damage.
- **Do not allow to be used as toy. Close attention is necessary when used by or near children.**
Personal injury or product damage could result.
- **Do not use the vacuum cleaner if the power cord or plug is damaged or faulty.**
Personal injury or product damage could result. In these cases, contact LG Electronics Service Agent to avoid hazard.
- **Do not use vacuum cleaner if it has been under water.**
Personal injury or product damage could result. In these cases, contact LG Electronics Service Agent to avoid hazard.
- **Do not continue to vacuum if any parts appear missing or damaged.**
Personal injury or product damage could result. In these cases, contact LG Electronics Service Agent to avoid hazard.
- **Do not use an extension cord with this vacuum cleaner**
Fire hazard or product damage could result.
- **Using proper voltage.**
Using improper voltage may result in damage to the motor and possible injury to the user. Proper voltage is listed on the bottom of vacuum cleaner.
- **Turn off all controls before unplugging.**
Failure to do so could result in electrical shock or personal injury.
- **Do not change the plug in any way.**
Failure to do so could result in electrical shock or personal injury or product damage. Doing so result in death. If plug does not fit, contact a qualified electrician to install the proper outlet.
- **Repairs to electrical appliances may only be performed by qualified service engineers.**
Improper repairs may lead to serious hazards for the user.
- **Do not plug in if control knob is not in OFF position.**
Personal injury or product damage could result. (Depending on model)
- **Keep children away and beware of obstructions when rewinding the cord to prevent personal injury**
The cord moves rapidly when rewinding. (Depending on model)
- **The hose contains electrical wires. Do not use it if it is damaged, cut or punctured.**
Failure to do so could result in death, or electrical shock. (Depending on model)

IMPORTANT SAFETY INSTRUCTIONS

CAUTION

- **Do not put any objects into openings.**
Failure to do so could result in product damage.
- **Do not use with any opening blocked: keep free of dust, lint, hair, and anything that may reduce air flow.**
Failure to do so could result in product damage.
- **Do not use vacuum cleaner without dust tank and/or filters in place.**
Failure to do so could result in product damage.
- **Do not use vacuum cleaner to pick up sharp hard objects, small toys, pins, paper clips, etc.**
They may damage the cleaner or dust bin.
- **Store the vacuum cleaner indoors.**
Put the vacuum cleaner away after use to prevent tripping over it.
- **The vacuum cleaner is not intended to use by young children or infirm people without supervision.**
Failure to do so could result in personal injury or product damage.
- **Only use parts produced or recommended by LG Electronics Service Agents.**
Failure to do so could result in product damage.
- **Use only as described in this manual. Use only with LG recommended or approved attachments and accessories.**
Failure to do so could result in personal injury or product damage.
- **To avoid personal injury and to prevent the machine from falling when cleaning stairs, always place it at the bottom of stairs.**
Failure to do so could result in personal injury or product damage.
- **Use accessory nozzles in sofa mode.**
Failure to do so could result in product damage.
- **Make sure the filters (exhaust filter and motor safety filter) are completely dry before replacing in the machine.**
Failure to do so could result in product damage.
- **Do not dry the filter in an oven or microwave.**
Failure to do so could result in fire hazard.
- **Do not dry the filter in a clothes dryer.**
Failure to do so could result in fire hazard.
- **Do not dry near an open flame.**
Failure to do so could result in fire hazard.
- **Always clean the dust bin after vacuuming carpet cleaners or fresheners, powders and fine dust.**
These products clog the filters, reduce airflow and can cause damage to the cleaner. Failure to clean the dust bin could cause permanent damage to the cleaner.
(Depending on model)
- **Don't grasp the tank handle when you are moving the vacuum cleaner.**
The vacuum cleaner's body may fall when separating tank and body. Personal injury or product damage could result. **You should grasp the carrier handle** when you are moving the vacuum cleaner. (Depending on model)
- **If after emptying the dust tank the indicator light is on (red), clean the dust tank.**
Failure to do so could result in product damage.
(Depending on model)

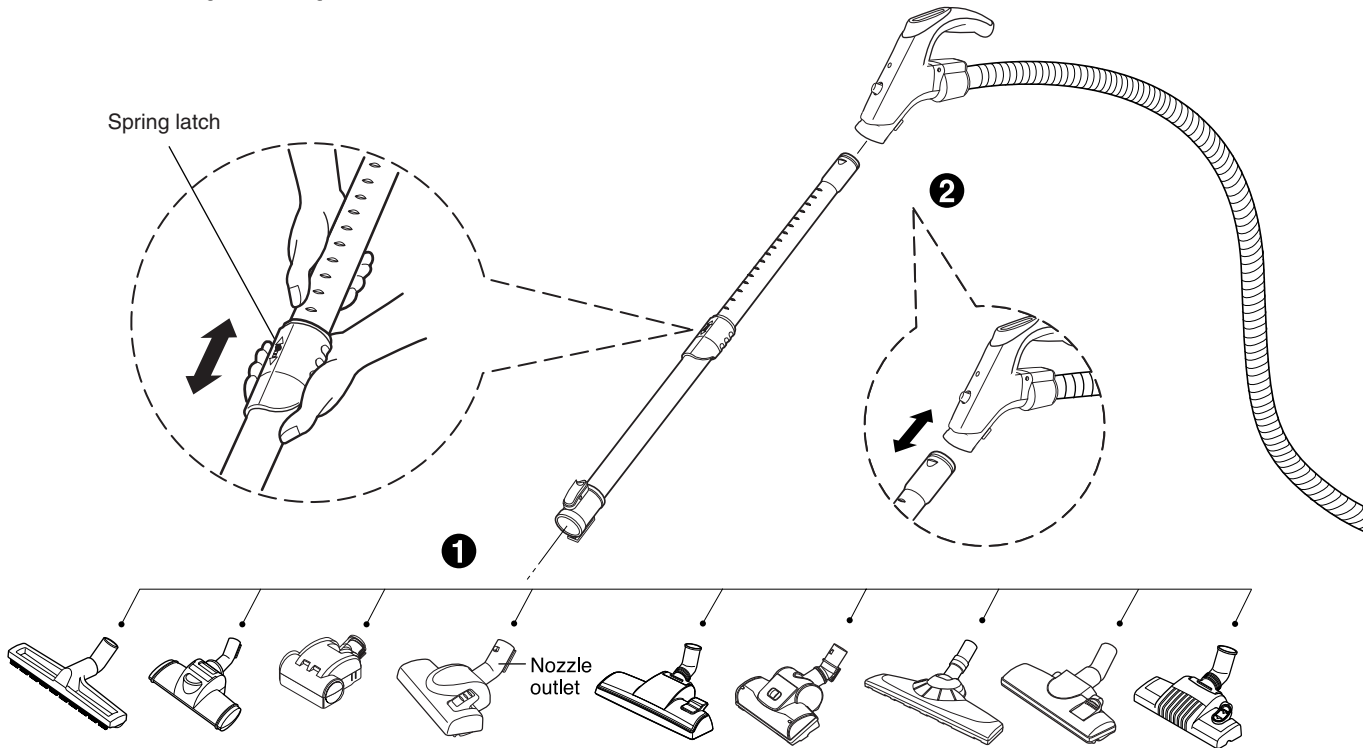


Thermal protector :

This vacuum cleaner has a special thermostat that protects the vacuum cleaner in case of motor overheating. If the vacuum cleaner suddenly shuts off, turn off the switch and unplug the vacuum cleaner. Check the vacuum cleaner for possible source of overheating such as a full dust tank, a blocked hose or clogged filter. If these conditions are found, fix them and wait at least 30 minutes before attempting to use the vacuum cleaner. After the 30 minute period, plug the vacuum cleaner back in and turn on the switch. If the vacuum cleaner still does not run, contact a qualified LG authorised Service Agent.

How to use Assembling Cleaner

Fit the large cleaning head onto the end of the tube.

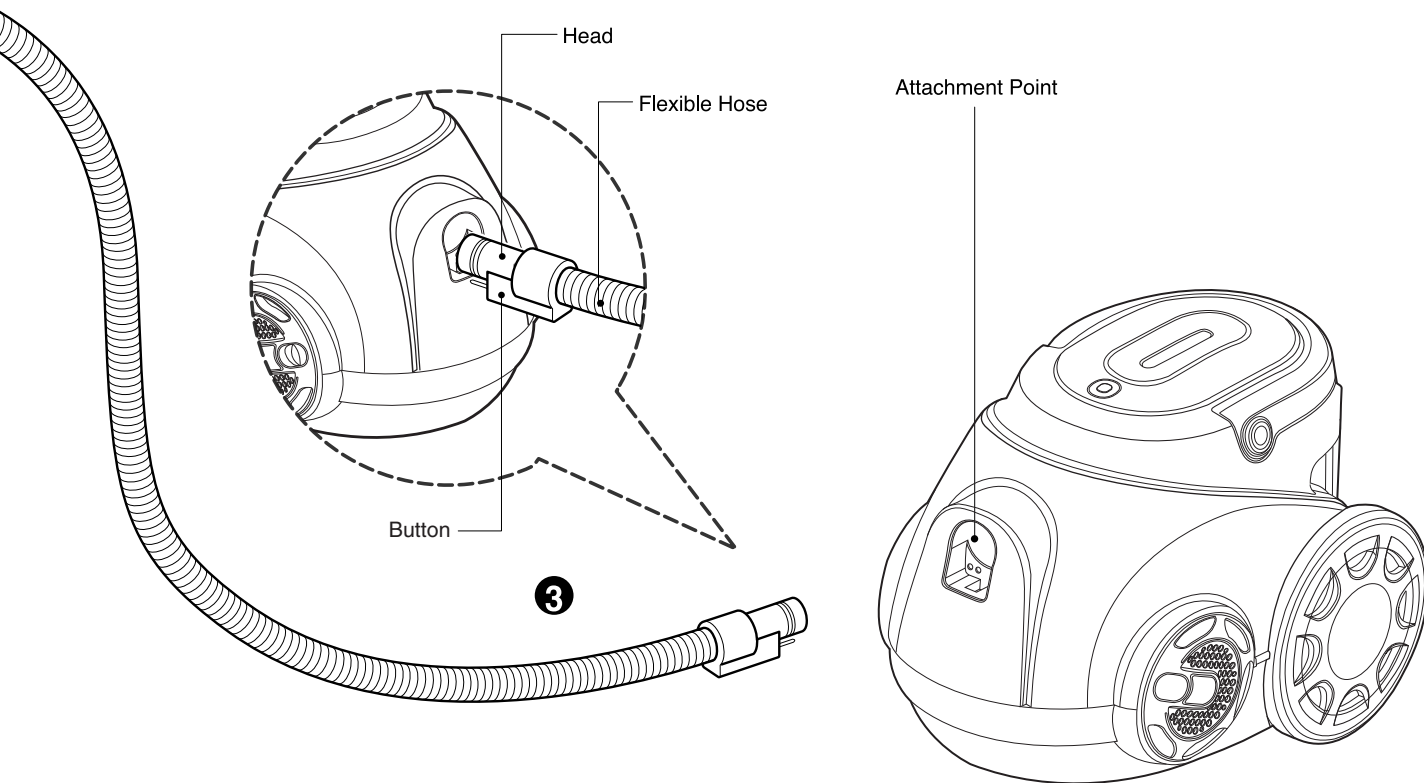


1 The 2 position head (depending on model)

Push telescopic tube into nozzle outlet.

2 Telescopic tube (depending on model)

- Press the spring latch to release.
- Pull out the tube to the desired length.
- Release spring latch to lock the tube in position.
- Push telescopic tube into hose handle firmly.

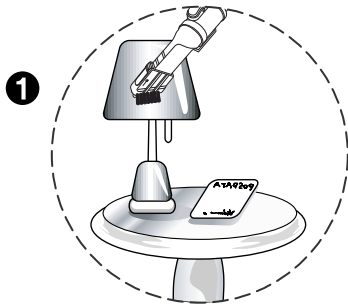


3 Connecting the flexible hose

Push the end of the head on the flexible hose into the attachment point on the vacuum cleaner.

To remove the flexible hose from the vacuum cleaner, press on the button situated on the head, then pull forward.

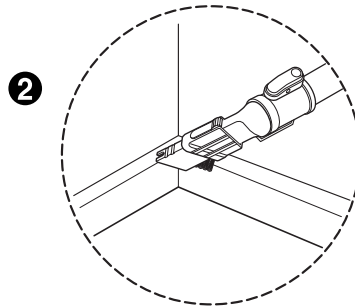
How to use Using the cleaning head and Accessory Nozzles



1 Dusting Brush

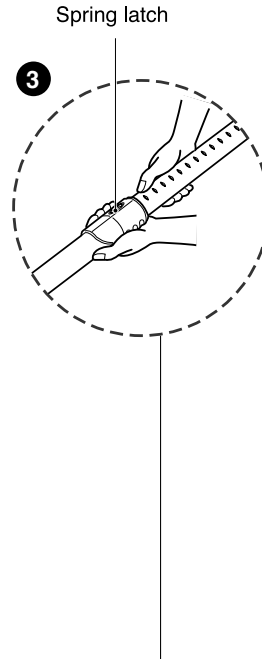
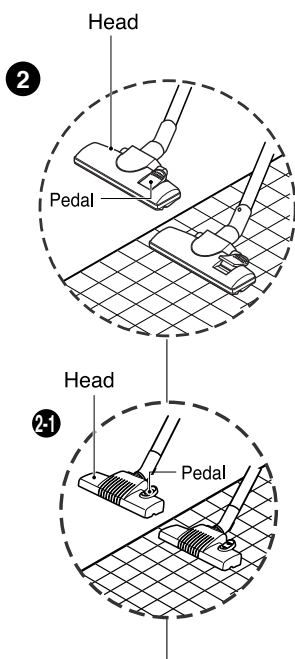
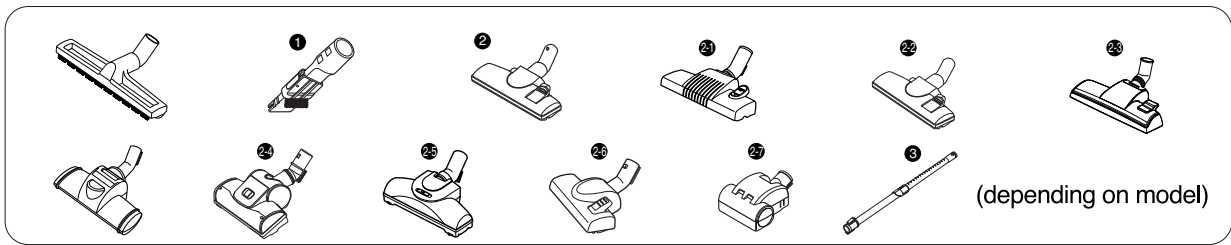
Dusting Brush is for vacuuming picture frames, furniture frames, books and other irregular surfaces.

Dusting Brush is also used for cleaning Filters.



2 Crevice Tool

Crevice Tool is for vacuuming in those normally hard-to-reach places such as reaching cobwebs, or between the cushions of a sofa.



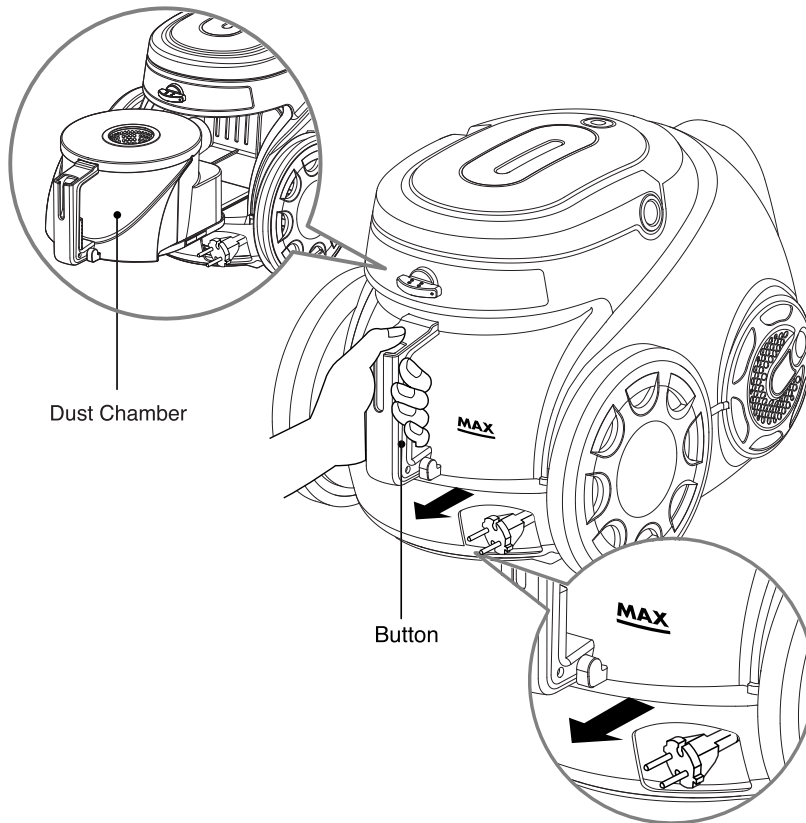
**2 21 Large cleaning head
(depending on model)**

- **The 2 position heads** equipped with a pedal which allows you to alter its position according to the type of floor to be cleaned.
- **Hard floor position (tiles, parquets floor)**
Press the pedal to lower brush.
- **Carpet or rug position**
Press the pedal to lift the brush up.

**3 Adjusting the telescopic tube length
(depending on model)**

- Telescopic tube
- Pull out tube to required length.
 - Release spring latch.

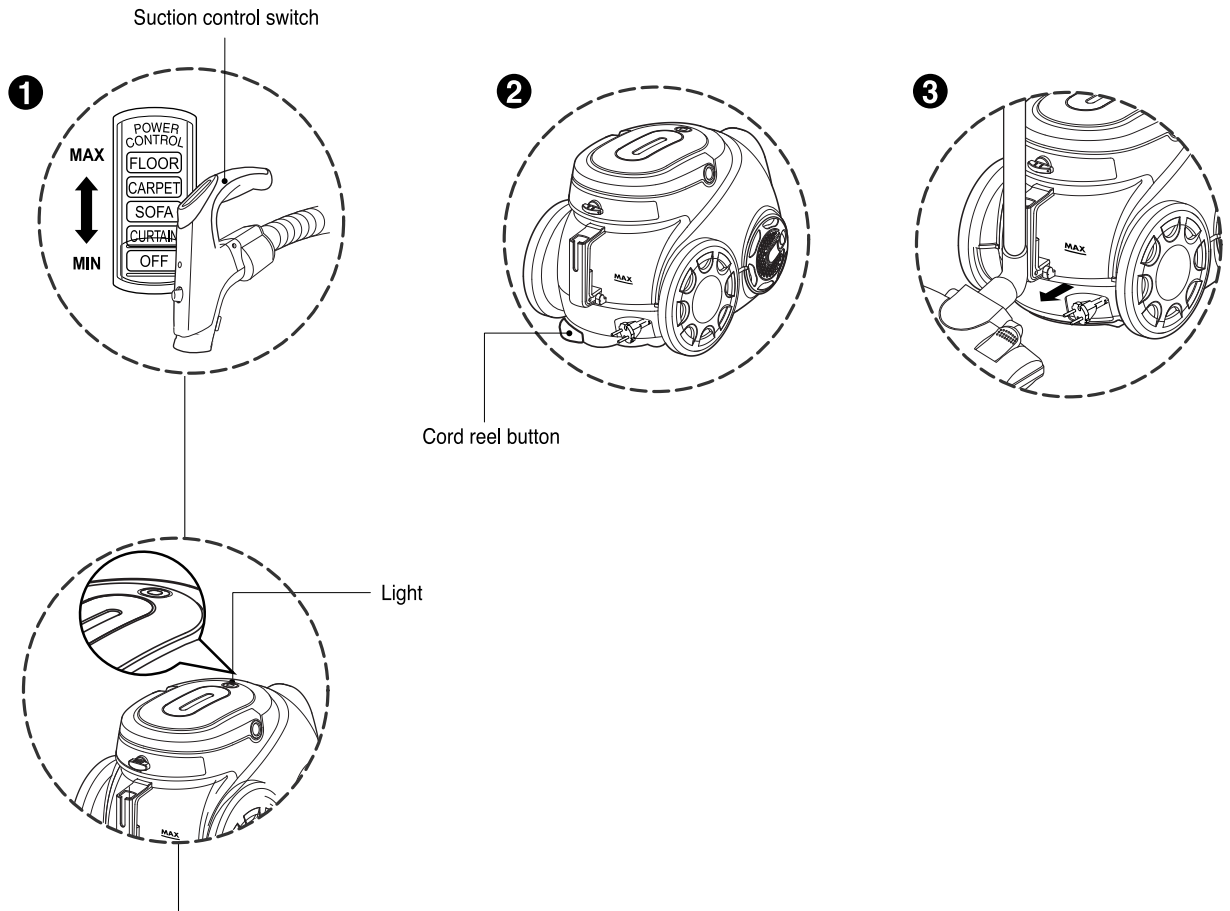
How to use Emptying the dust chamber



The dust chamber needs emptying when the dust is full by MAX which is marked on the dust chamber.

- Turn off the appliance and unplug it.
- Your appliance is equipped with both the dust chamber and the motor filter. Press the button and pull the dust chamber forward. Press the bottom plate lever and empty the dust chamber.
- To refit the dust chamber, push the dust chamber into the tank mount until it will go no further.

Operation



1 Adjusting the Suction (depending on model)

- Adjust suction with the suction control switch in the hose handle. (depending on model)
- The flexible hose handle has a manual air flow regulator which allows you to adjust the suction level briefly. (depending on model)

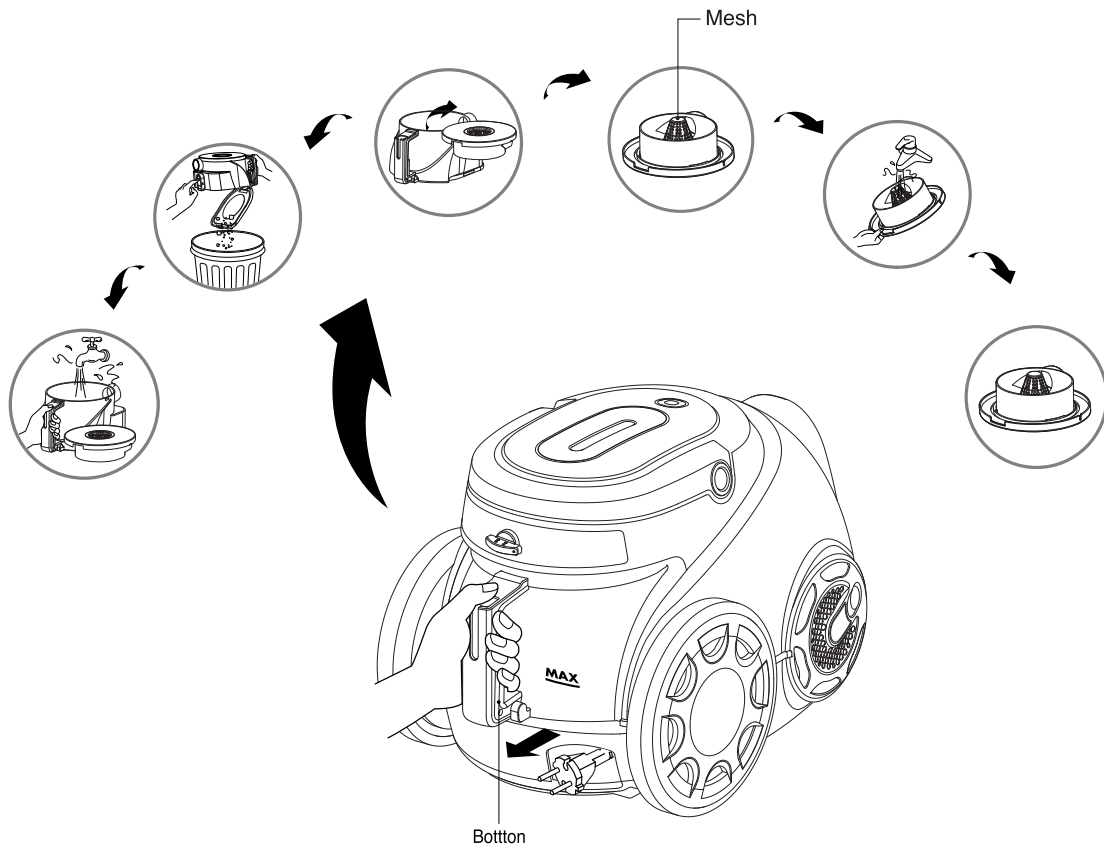
2 How to plug in and use

- Pull out the power cord to the desired length and plug into the socket.
- Push the suction control switch of the hose handle in the direction of the position what you want. (depending on model)
- To stop it, push down the suction control switch in the direction of OFF.
- Press the cord reel button to retract the power cord after use.

3 Park System

- For deposit after vacuuming, for example to move a small piece of furniture or a rug, use the Park system to support the flexible hose and cleaning head.
- Slide the hook attached to the large cleaning head into the slot on the rear of the appliance.

How to use cleaning the dust chamber



Cleaning the dust chamber

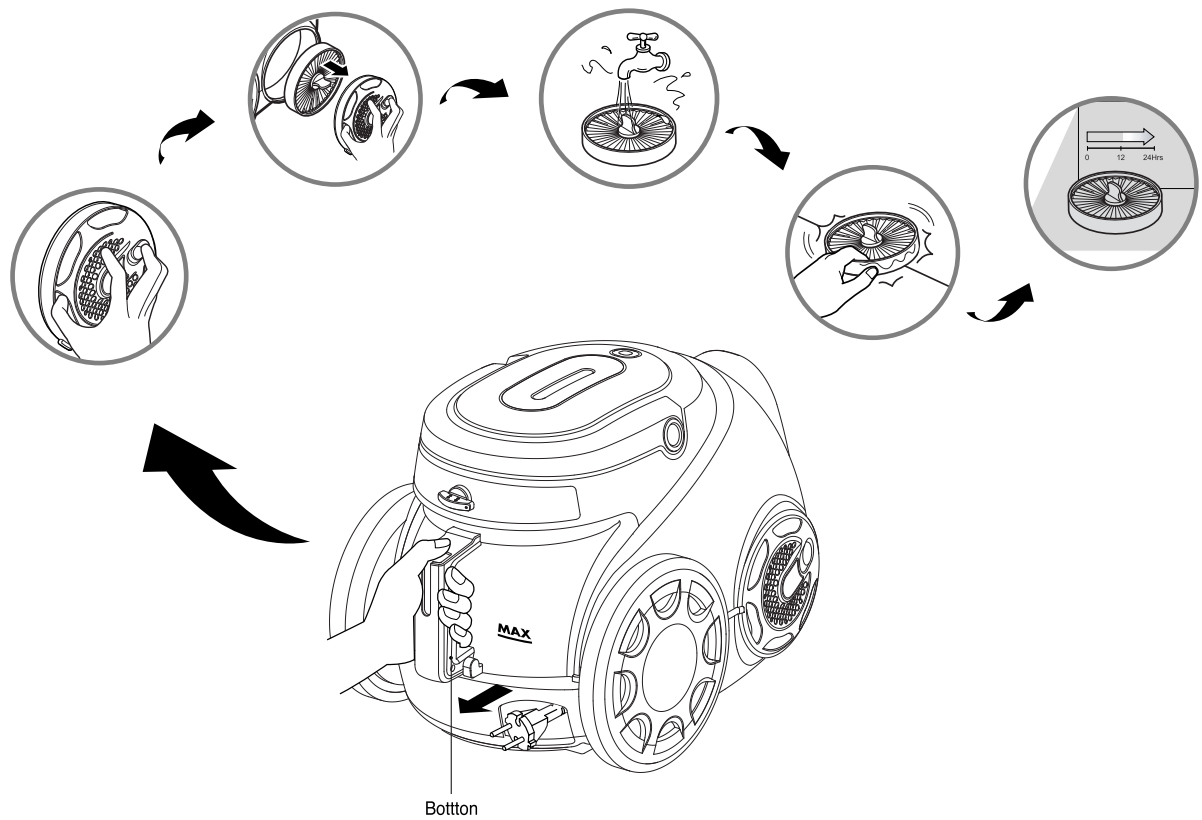
- Open the tank cap.
- Wash both parts with soft material.
Gently rinse both parts under a cold running tap.

⚠ WARNING!

Gently rinse both parts separately under a cold running tap until the water runs clear.

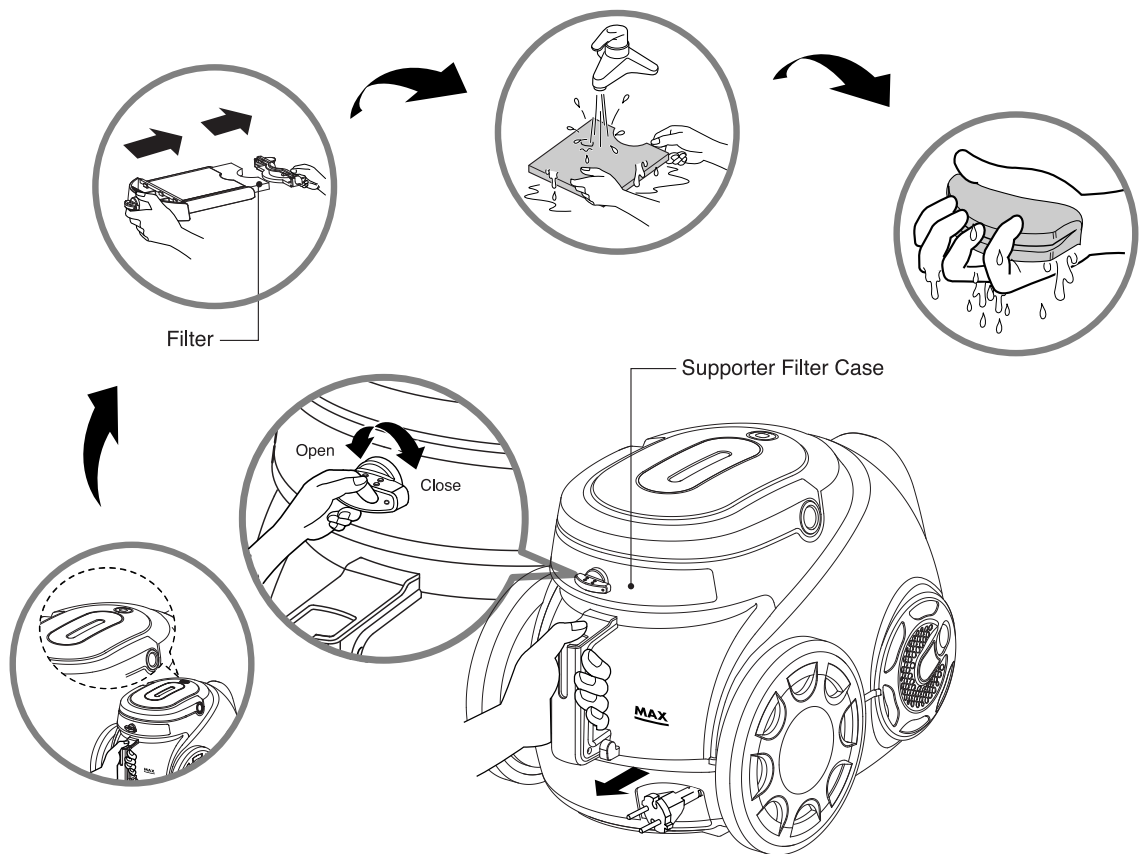
Do not use detergent or a washing machine or dishwasher.

Cleaning the exhaust filters



- The exhaust filter is a washable and reusable HEPA filter.
- To change the exhaust filter, remove the filter cover on the body by release hook.
- Pull out the exhaust filter.
- Clean it with cold, running water.
- Do Not use the brush
 - Using the brush will cause permanent damage and allow dust to bypass the filter.
- Allow exhaust filter to dry in a shaded location for a day.
The exhaust filter should be cleaned at least once a year.

How to use Cleaning/Changing Filters



- The filter and the mesh need cleaning when the light is shining.
- Remove supporter filter case and clean the filter and case in cold water only.
DO NOT USE DETERGENT OR SOAP.
- Let filter dry for 24 hours in the shade before putting it back.
TO CLEAN EXHAUST FILTER.
- Remove exhaust filter from vacuum and clean the filter and case in cold water only.
DO NOT USE DETERGENT AND SOAP.

User's Guide for Sani Punch Vacuum Nozzle (Option)

Features

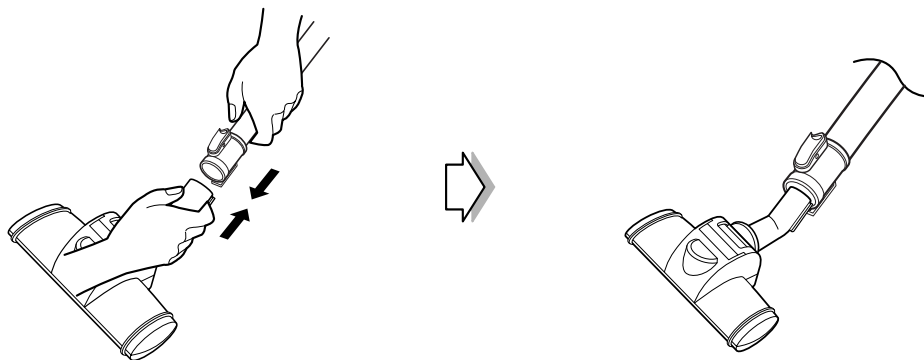
This nozzle picks up even dust inside through beating.
 The bottom part can be separated to be cleaned.
 Since the bottom does not stick to the surface, vacuuming is easy.

How to use

Follow the directions below for proper use.

Assembly

Connect the nozzle to the telescopic tube.



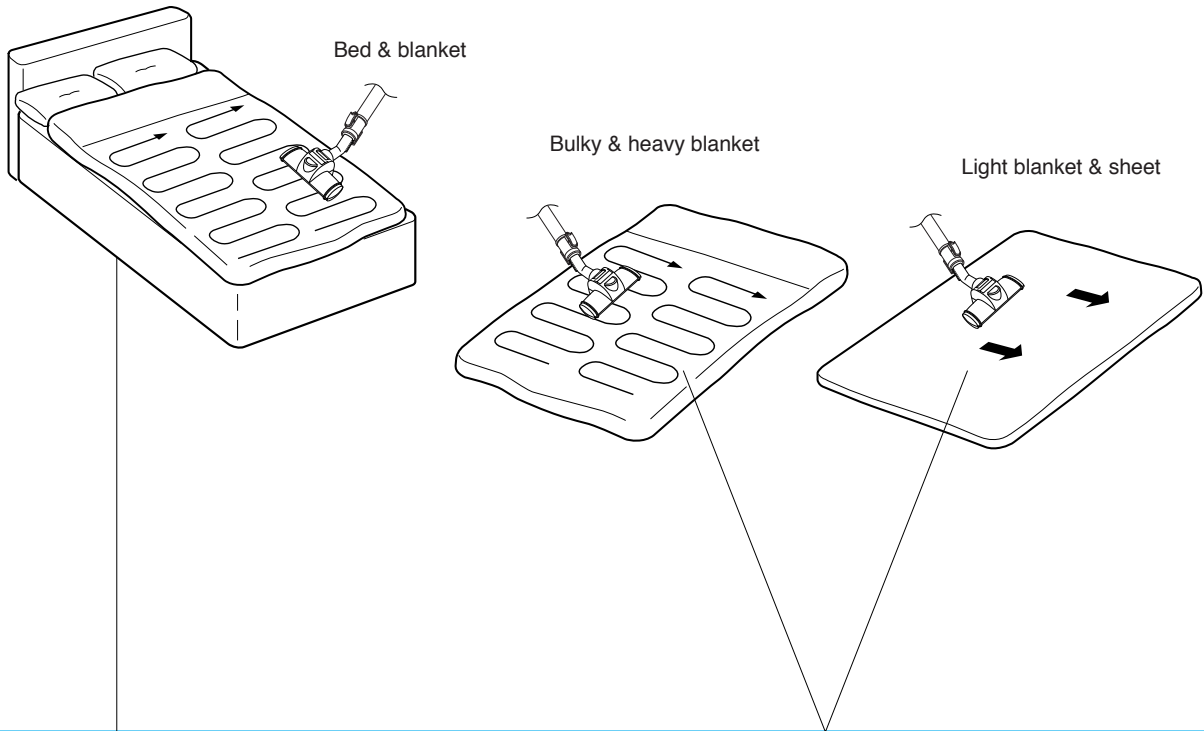
Use

Set the suction power control switch to MAX POWER before vacuuming.
 Depending on the type of bedding, handling may be awkward or it may cause a lot of noise.
 If this is the case, adjust the suction power control switch to a lower setting.

If the punch bar does not move, lift the nozzle slightly off the surface.
 If it does not move, even after doing this, check if the suction power is too low or if the nozzle base is clogged with a foreign object.

This Sani Punch nozzle is for effective cleaning of beds and blankets to remove mites and dust.

Effective cleaning



When using on the bed

Lay out the blanket and vacuum it on the bed.

When using on the floor

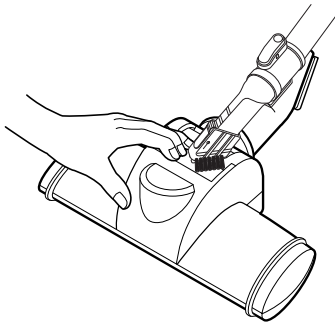
It is easier to clean a light blanket or sheet by pushing the nozzle in the direction of the arrow. To increase cleaning efficiency for light blankets, lay on top of a bulky blanket and then clean.

User's Guide for Sani Punch Vacuum Nozzle

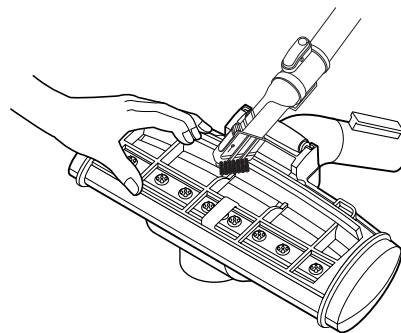
Cleaning Vacuum Nozzle for Bedding (Option)

For simple cleaning of the vacuum nozzle, detach the Sani Punch nozzle from the telescopic tube and attach the crevice tool to vacuum dust.

Top



Bottom

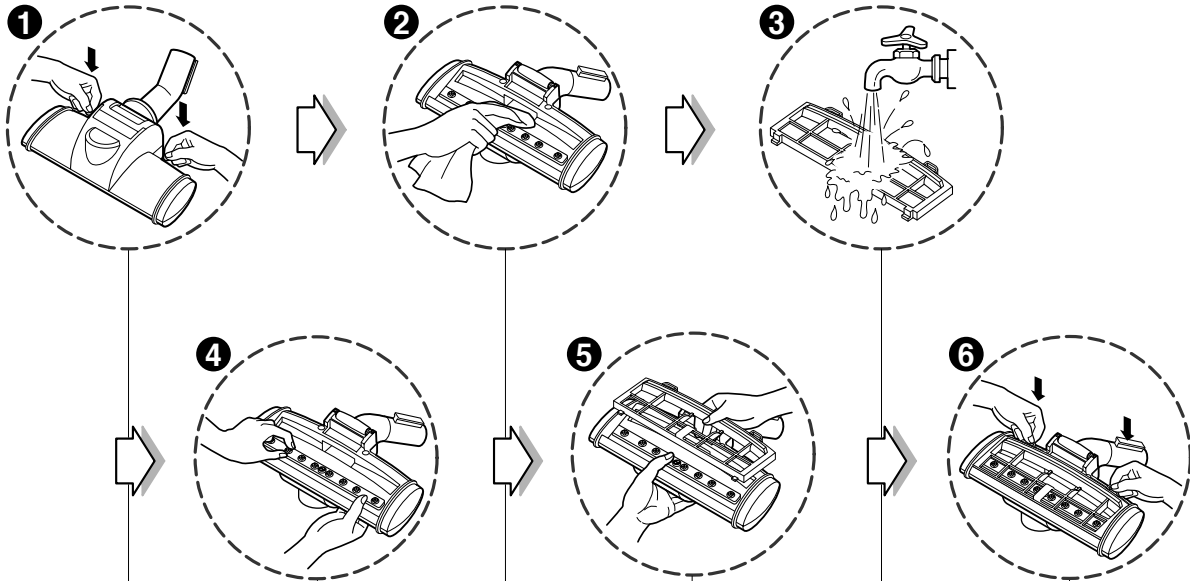


Since the vibrator inside is composed of precision parts, never disassemble the body. Be careful not to let foreign objects clog the air suction part on top of the vacuum nozzle. Since removal of the punch bar may cause performance problems, do not warp or remove it. Attach the bottom plate properly before using. Without this bottom plate, it may not function.

Since this vacuum nozzle has been made exclusively for cleaning beds, blankets and upholstery, use it only for these cleaning purposes. (Using it to clean the floor may result soiling it or a drop in performance, do not use it for such purposes.)

Follow the instruction below for through washing.

(Do not soak the entire body of the vacuum nozzle in water, it may cause the vibrator to malfunction)



1 Press the button on the rear side of the vacuum nozzle to separate the bottom plate.

2 Wipe all the soiled parts of the vacuum nozzle body with a cloth.

3 Wash the removed bottom plate with water and dry it.

4 Straighten the punch bar on the lower section.

5 Insert the attachment projections on bottom plate to the vacuum nozzle grooves.

6 Push down the tabs to secure.

What to do if your appliance does not work?

Check that the appliance is correctly plugged in and that the electrical socket is working.

What to do when the suction performance reduces?

- Stop the appliance and unplug it.
- Check that the tubes, flexible hose and cleaning tool
- Check that the dust chamber is not full. Empty if necessary.
- Check that the light is not on because of motor filter's blockage.
- Check that the exhaust filter is not blocked.
Clean the filter.



WARNING!

If it becomes necessary to replace the moulded-on plug, destroy the defective plug so that it cannot create a possible shock hazard by being inserted into a wall socket.

