



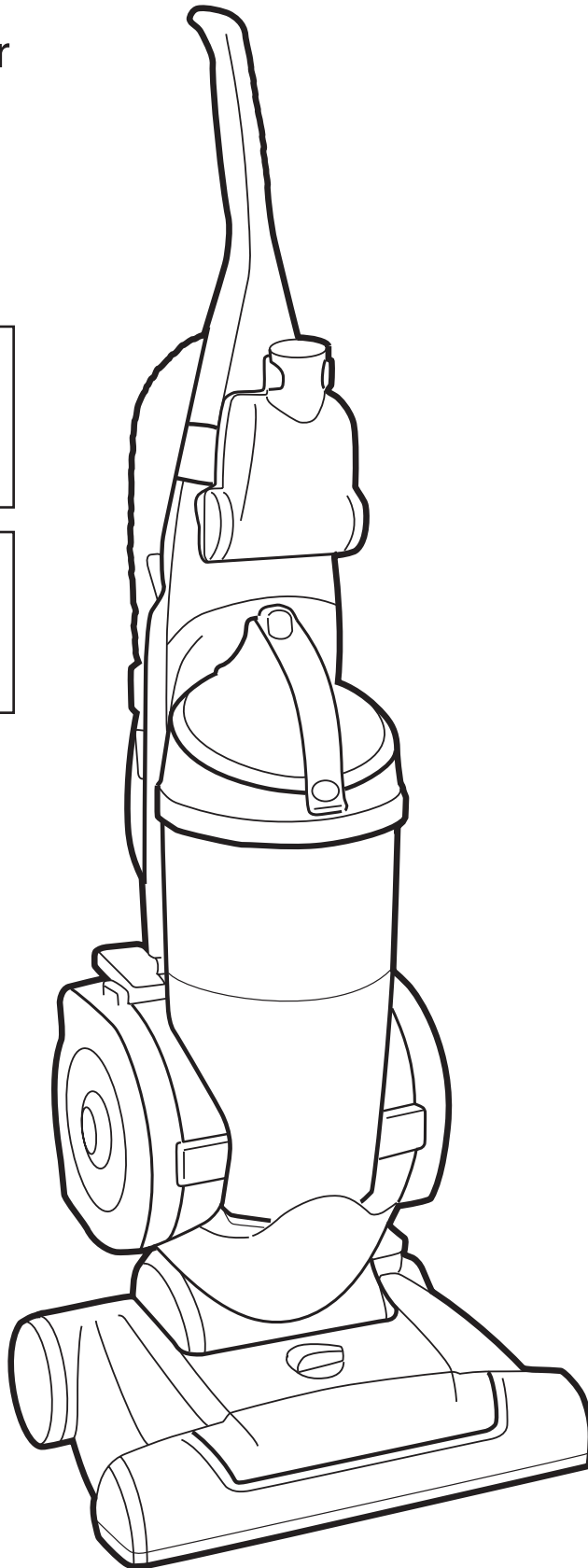
MODEL: VTUP843NB

**Upright Vacuum Cleaner
Owner's Manual**

**Aspiradora de Pie
Manual de Poseedor**

**Review this manual
before operating
the cleaner.**

**Revisar este Manual
antes de operar la
aspiradora.**



P/No.: 38288I2002P
Núm. de Parte.: 38288I2002P

Important Safeguards!

Contents

Important safeguards	
1. Assembling cleaner	3
2. How to use	4
3. Maintenance	
Air flow indicator	6
Cleaning filters lifetime HEPA filter	7
How to replace	8
The agitator brush roll when to replace	9
Powered hand tool	10
4. If you have a problem	
Normal problem	11
Clearing blockages	12

When using an electrical appliance, always follow basic precautions, including the following:

READ ALL INSTRUCTIONS BEFORE USING THIS APPLIANCE

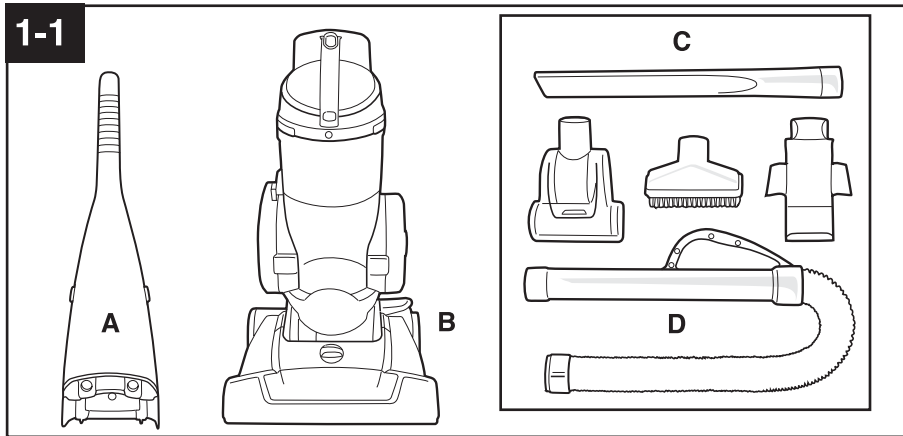
WARNING: To reduce the risk of fire, electric shock, or injury:

- Do not use outdoors or on wet surfaces.
- This appliance is not intended for use by persons (including children) with reduced physical, sensory or mental capabilities, or lack of experience and knowledge, unless they have been given supervision or instruction concerning use of the appliance by a person responsible for their safety.
- If the supply cord is damaged, it must be replaced by the manufacturer its service agent or similar qualified persons in order to avoid a hazard.
- Keep hair, loose clothing, fingers, feet and all parts of body away from openings, rotating agitator and other moving parts. Do not operate cleaner in bare feet or when wearing open toe shoes or sandals.
- Do not pick up anything that is burning or smoking, such as cigarettes, matches, or hot ashes.
- Do not use to pick up flammable or combustible materials such as gasoline or fine wood sandings or use in areas where they may be present.
- Avoid picking up hard, sharp objects with the cleaner. They may damage the cleaner.
- Always turn off this appliance before connecting or disconnecting hose.
- Unplug cleaner before connecting the powered hand tool.
- Do not use without dirt cup or filters in place. Empty cup and clean filters frequently when picking up very fine materials such as powder.
- Use extra care when cleaning on stairs.
- Do not put any object into openings. Do not use with any opening blocked; keep free of dust, lint, hair, or anything that may reduce air flow.
- Do not pull or carry or use cord as a handle, close door on cord or pull cord around sharp edges or corners. Do not run appliance over cord. Keep cord away from heated surfaces.
- Always disconnect cord from electrical outlet before servicing the cleaner.
- Unplug cleaner when not in use. Turn off all controls before unplugging.
- Do not unplug by pulling on cord. To unplug, grasp the plug, not the cord. Never handle plug or appliance with wet hands.
- Hold onto the plug while cord is being rewound to prevent cord from whipping.
- The use of an extension cord is not recommended.
- Do not use with damaged cord or plug.
- Use vacuum cleaner only for its intended use as described in the instructions.

Save these instructions!

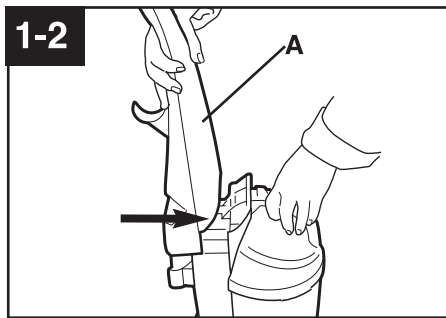
1. Assembling cleaner

Carton contents



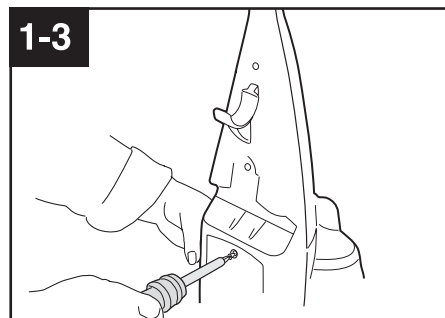
- A. Handle section and screw (taped to handle)
- B. Cleaner body
- C. Cleaning tools
- D. Hose

Remove all parts from carton and identify each item shown. Make sure all parts are located before disposing of packing materials.

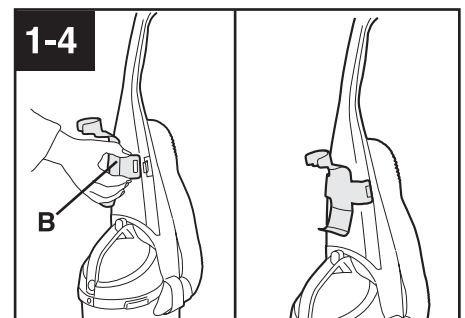


Attach handle

Slide handle section (A) onto back of handle.

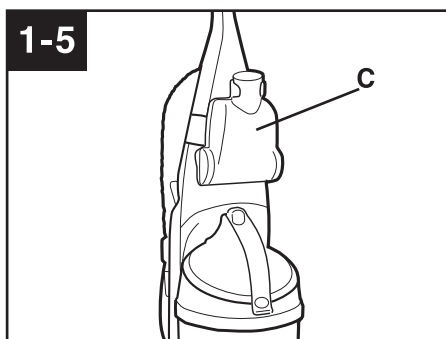


Push screw into hole on back of handle. Tighten screw securely with a Phillips screwdriver.

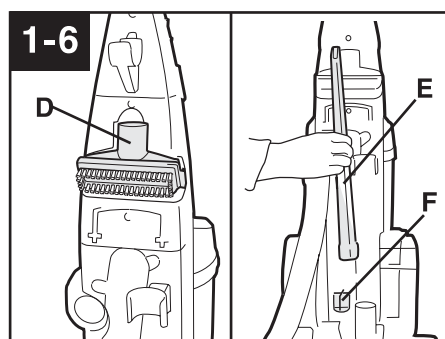


Position tools

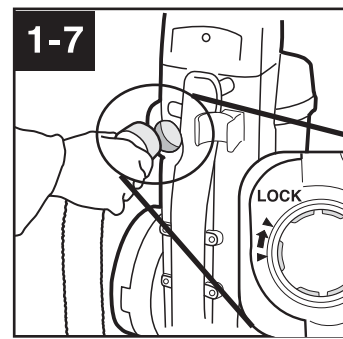
The holder (B) for the powered hand tool snaps onto the tabs on the front of the handle. Be sure the holder is properly positioned as shown in the drawing.



Place the powered hand tool (C) into the holder as shown.

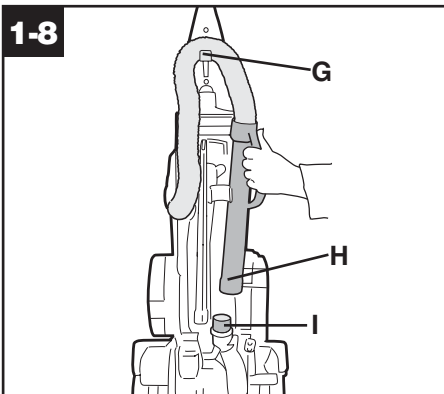


Place combination tool (D) into opening on back of handle. The crevice wand (E) slides over the post (F) on the back of the cleaner.



Position hose

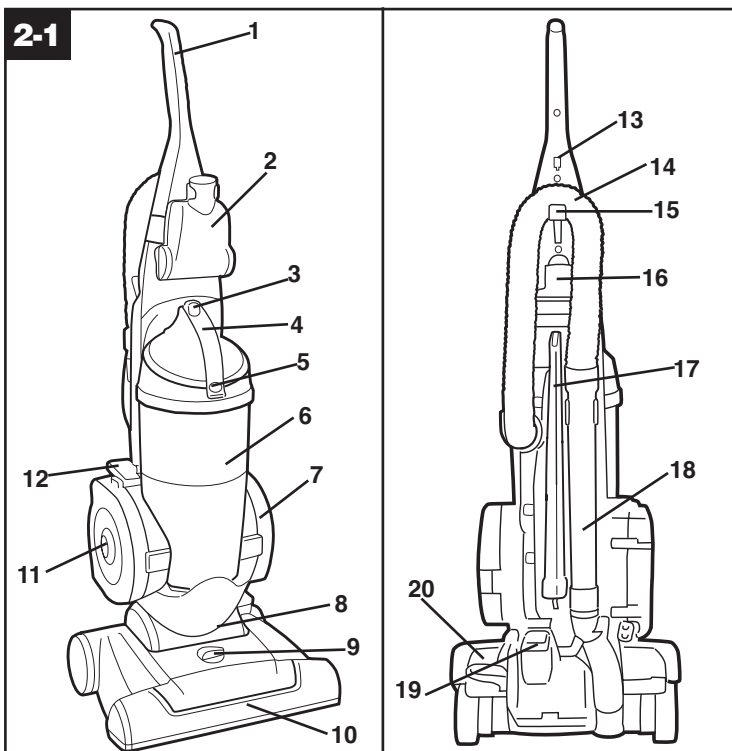
Align end of hose with projections over slots in dirt duct on back of cleaner. Twist to lock in place. The hose connector allows the hose to swivel.



Wrap hose over hook (G).
Push hose end (H) firmly onto tube (I) as shown.

2. How to use

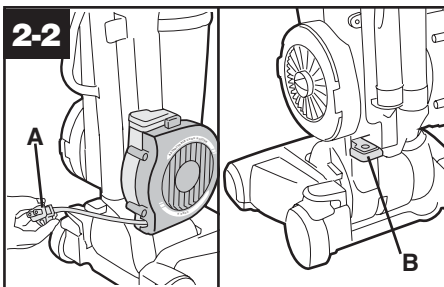
Cleaner description



- 1. Handle grip
- 2. Powered hand tool
- 3. Dirt cup release button
- 4. Carrying handle/Dirt cup handle
- 5. Air flow indicator
- 6. Dirt cup assembly
- 7. Lifetime HEPA filter
- 8. Body cover
- 9. Nozzle control knob: turn knob to correct setting for height of carpet being cleaned.
- 10. Furniture nozzle: helps prevent cleaner from marking furniture.
- 11. Cord reel
- 12. Cord rewind button: press button to rewind cord for storage. **Hold plug until cord is rewound.**
- 13. Cord hook
- 14. Hose
- 15. Hose holder
- 16. Combination tool
- 17. Crevice wand
- 18. Hose handle
- 19. ON/OFF pedal
- 20. Handle release pedal: step on pedal to lower handle to operating or low positions.

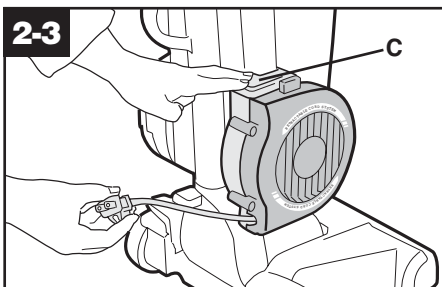
Operate cleaner only at voltage specified on data plate on back of cleaner.

This cleaner is intended for household use.



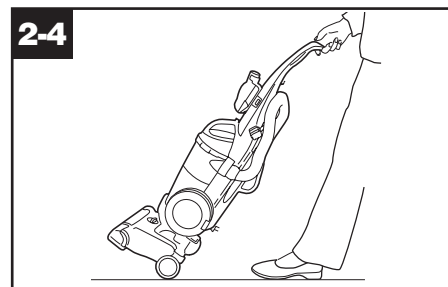
ON-OFF pedal

Grasp end of plug (A) and pull to desired cord length. Plug cord into electrical outlet.
To turn cleaner ON, step on ON/OFF pedal (B) once.
To turn cleaner OFF, step on pedal again.



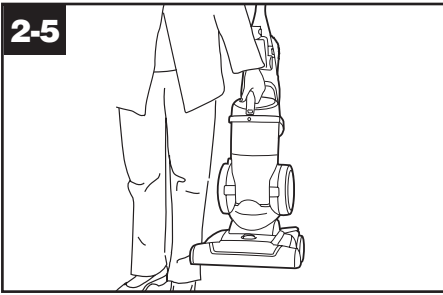
Cord rewind

Grasp the end of the plug and pull to release cord from cord reel. After desired cord length is reached, the cord will lock into position.
To return cord for storage, **hold plug** and press on button (C) at top of cord reel. **To prevent cord from whipping, hold plug until cord is rewound.**



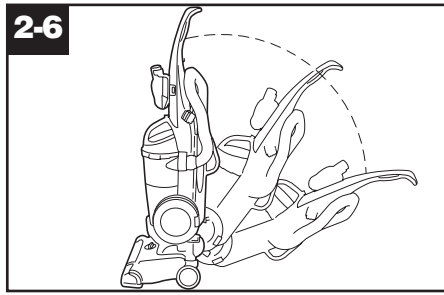
Transporting cleaner

To move your cleaner from room to room, put handle in upright position, tilt cleaner back on rear wheels and push forward.



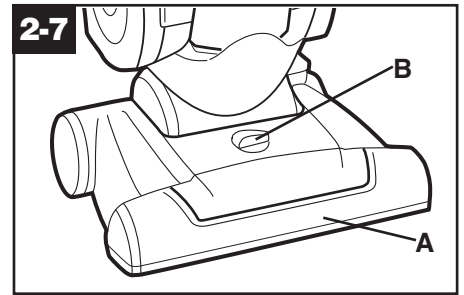
Carrying cleaner

The cleaner can also be moved by using the carrying handle, located on the top of the dirt cup.



Handle positions

The handle of your cleaner has three positions; **upright** for storage and when using cleaning tools; **operating position** for general operation on carpet and floors; **low** for reaching under low furniture. Step on handle release pedal to lower handle.

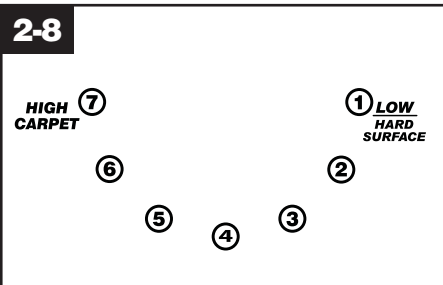


Carpet height adjustment

The cleaning of carpet and rugs takes place at the nozzle (A).

When it is necessary to raise and lower the nozzle for various carpet pile heights, place handle in upright position and turn the nozzle control knob (B) to the desired setting.

The nozzle will not move into the adjusted position until the cleaner handle is lowered to the operating position.



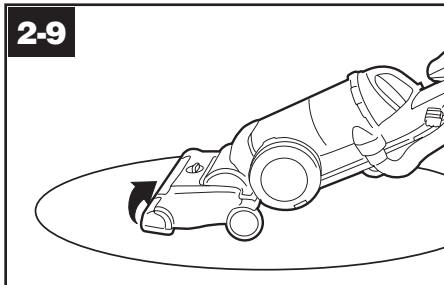
Settings

For maximum cleaning performance, the following carpet height settings are recommended:

- **Lowest setting:** for all types of carpet and hard surface flooring.

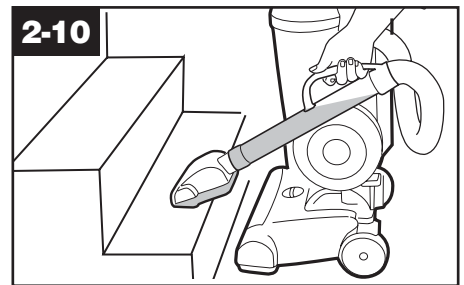
Note: If the cleaner is difficult to push, turn knob to the next higher setting.

- **Higher settings:** for very deep pile carpet, where easier pushing effort is desired, while maintaining good cleaning performance.



Cleaning lightweight flexible rugs

Stand on one end of rug and move cleaner toward other end or edge. Before reaching edge, push down on handle. This will lift up the nozzle (front of cleaner) as shown and will prevent rug from clinging to cleaner. Continue to lift up nozzle so that when you have reached the edge, it is completely off the rug. Move cleaner back to start again, lower nozzle, and use only forward strokes.



Stair cleaning

Use the hose and power hand tool for stair cleaning. Clean from bottom to top.

When using cleaning tools, the agitator will continue to rotate.

CAUTION: To avoid personal injury or unnecessary wear to carpet, and to prevent the cleaner from falling, always place it at bottom of stairs.

Cleaning tools

Tools allow for cleaning surfaces above the floor and for reaching hard to clean areas.

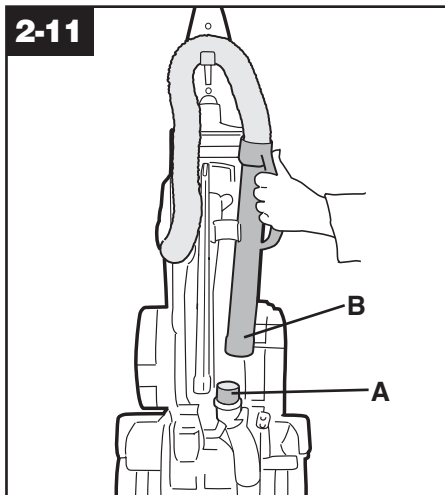
The cleaner is ready for tool use when **handle is in upright position**.

CAUTION: The agitator continues to rotate while cleaner handle is in upright position. Avoid tipping cleaner or setting it on furniture, fringed area rugs or carpeted stairs during tool use.

How to clean tools

To clean the hose and powered hand tool, wipe off dirt with a cloth dampened in a mild detergent. Rinse with a damp cloth. **DO NOT** submerge powered hand tool in water.

Cleaning tools may be washed in warm water with a detergent. Rinse and air dry before using.

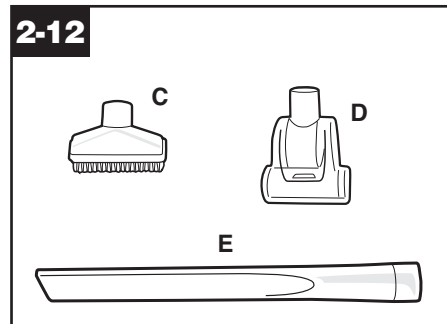


Removing hose

When using cleaning tools, **cleaner handle should be in the upright position**. Also, **turn cleaner OFF before disconnecting and connecting hose to hose tube (A)**.

To use hose, lift hose end (B) as shown.

When you are finished cleaning with the tools, reposition hose end onto tube.



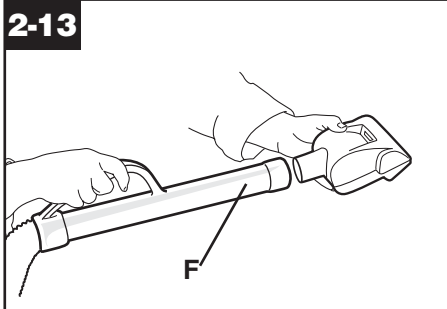
Select proper tool

C. Combination tool use with brush attached for carved furniture, table tops, books, lamps, lighting fixtures, venetian blinds, baseboards, shutters, and registers.

Remove brush to clean upholstered furniture, draperies, mattresses, clothing, and carpeted stairs.

D. Powered hand tool may be used for upholstered furniture, draperies, mattresses, clothing, automobile interiors, and carpeted stairs.

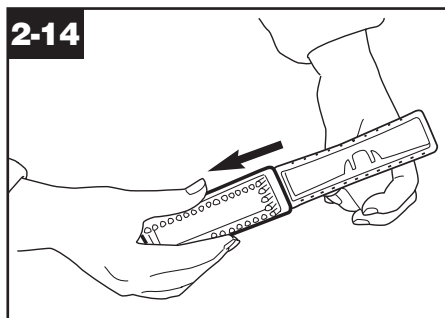
E. Crevice wand may be used in tight spaces, corners and along edges in such places as dresser drawers, upholstered furniture, stairs and baseboards. It can also be used for extra reach with the dusting brush.



Attach wand and tools

Attach tool to the hose (F) by pushing it firmly onto hose.

Twist wand or tool slightly to tighten or loosen the connection.



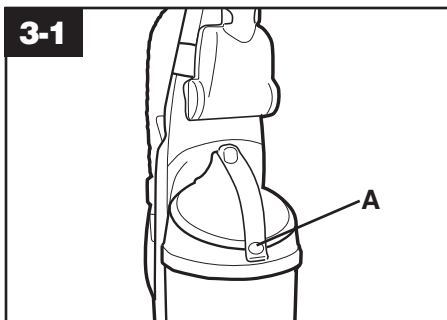
Combination tool

Slide brush to remove.

To replace brushes, align brush with grooves on tool. Slide brush into place.

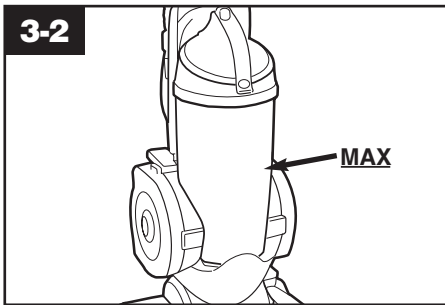
3. Maintenance

Familiarize yourself with these home maintenance tasks as proper use and care of your cleaner will ensure continued cleaning effectiveness.



Air flow indicator

The indicator (A) will show yellow when the dirt cup is full or there is a blockage or clog in the system. **Turn cleaner OFF and unplug**. Check the dirt cup and empty if necessary. Turn cleaner back on. If the indicator still shows yellow, follow the instructions under "Clearing blockages".

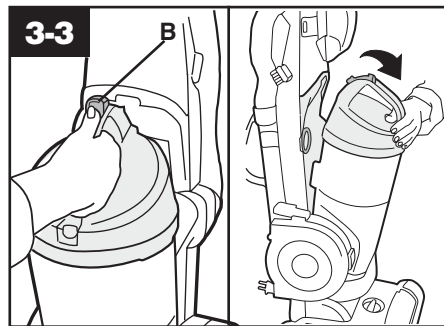


Dirt cup

When to empty

It is recommended that the dirt cup be emptied before the dirt reaches the fill line (MAX), or after every use if preferred.

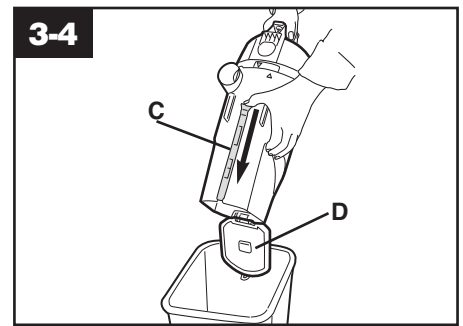
CAUTION: Very fine materials, such as face powder or cornstarch, may seal the filter and cause loss of suction. When using the cleaner for this type of dust, empty the cup and clean the filters often.



How to empty

Disconnect cleaner from electrical outlet. Do not use the cleaner without dirt cup or filters in place.

Press dirt cup release button (B) and pivot cup out.



Holding dirt cup over trash receptacle, press dirt cup door release rod (C) on back of dirt cup to open dirt cup door (D).

Empty dirt cup.

Close and snap dirt cup door shut.

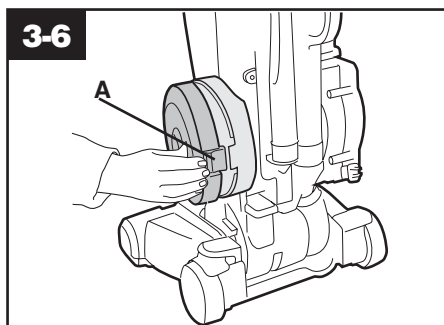


Place bottom of dirt cup in first. Pivot cup into cleaner body. Press dirt cup firmly until you hear a click to ensure that it is locked in place.

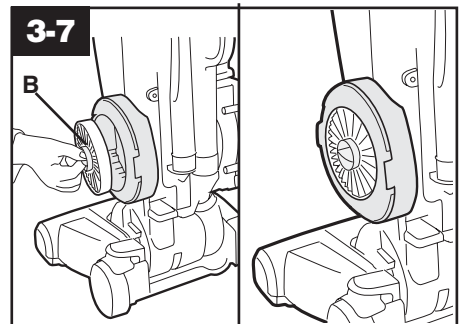
Cleaning filters

Lifetime HEPA filter

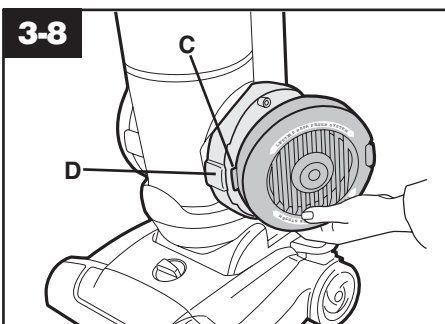
If you wish to clean this filter, it may be removed and cleaned.



Press on the tab (A) located on the side of the filter cover to remove.



Remove the HEPA filter (B) and brush with the combination tool to clean or tap side of filter against a trash receptacle. Return the HEPA filter into the filter cavity.

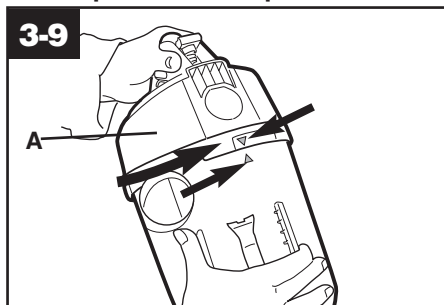


Align tab (C) on filter cover with slot (D). Press cover closed until you hear a snap.

Dirt cup filter assembly

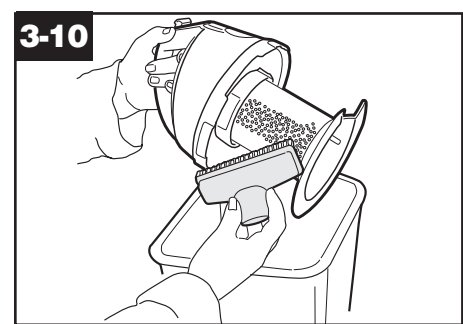
How to clean

Disconnect cleaner from electrical outlet. Do not use cleaner without dirt cup or filters in place.

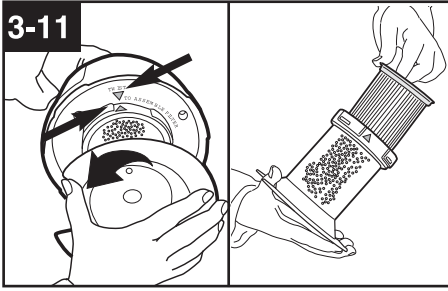


Remove dirt cup as described in Fig. 3-3.

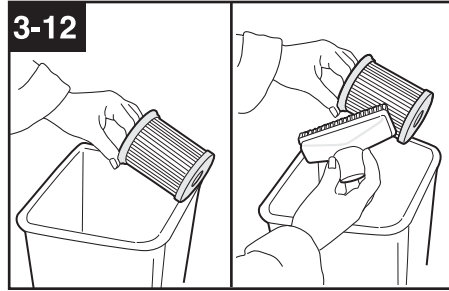
Twist dirt cup lid (A) counterclockwise until arrows on lid and dirt cup align. Remove lid with filter cartridge from dirt cup.



Dirt and debris can then be cleaned from the filter cartridge by brushing with the cleaner's combination tool.

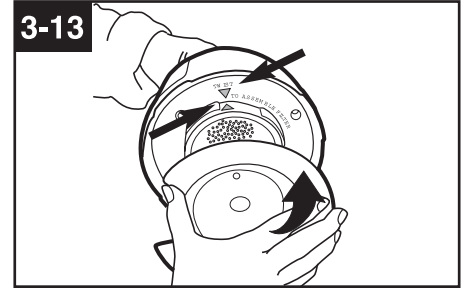


Twist the filter cartridge counter-clockwise, aligning arrows on lid and cartridge. Remove pleated filter from inside cartridge.



Tap filter against side of trash container to remove dirt or brush with the cleaner's combination tool.

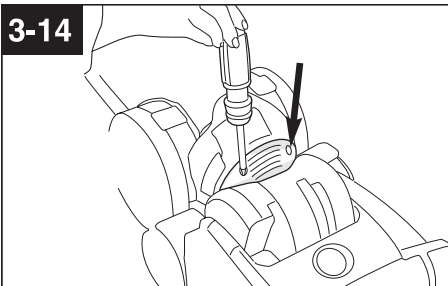
Return pleated filter to inside the filter cartridge.



Replace the filter assembly in the dirt cup lid, aligning arrows and twisting clockwise to lock into position.

Replace dirt cup lid onto dirt cup by aligning arrows on lid and dirt cup and twisting clockwise.

Replace dirt cup as described in Fig. 3-5.

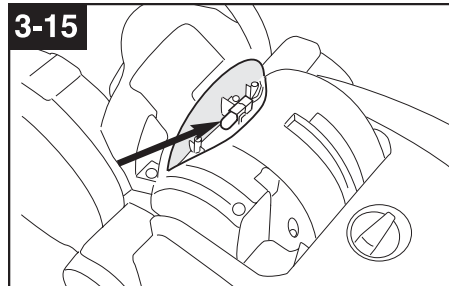


3-14

Removing lens

Disconnect cleaner from electrical outlet.

Press handle release pedal and place handle in lowest position. Using a Phillips screwdriver, remove the two screws as shown and lift off lens.



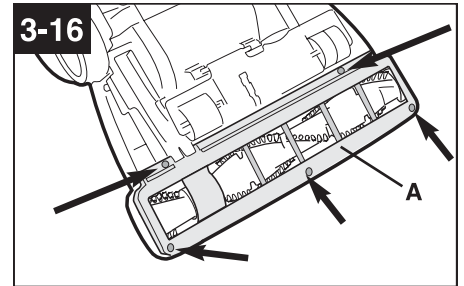
3-15

Installing bulb

Pull old bulb straight out of socket. Push new bulb straight into socket until locked in place.

Excessive force is not required.

Reposition lens and secure with the screws.



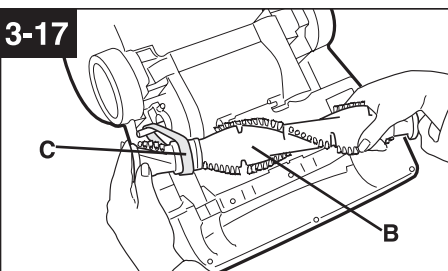
3-16

How to replace

Disconnect cleaner from electrical outlet.

Removing bottom plate

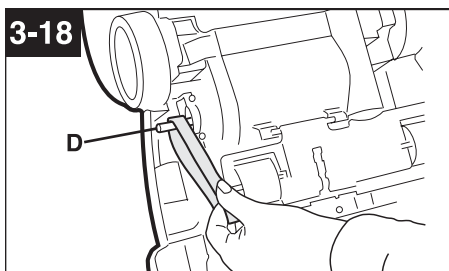
Place handle in lowest position and turn cleaner over so bottom side is up. Remove the 5 screws as shown with a Phillips screwdriver. Lift off bottom plate (A).



3-17

Removing belt

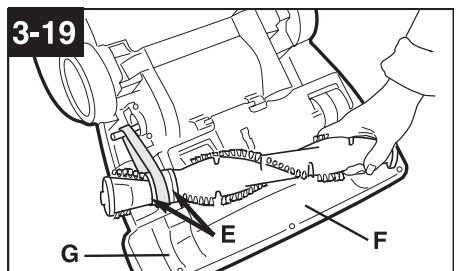
Remove agator brush roll (B) and used belt (C). Discard used belt.



3-18

Installing new belt

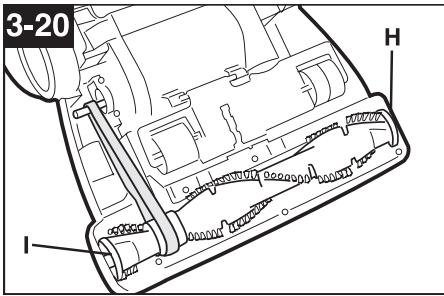
With lettering on outside of belt, and positioned as shown, slide new belt over motor pulley (D).



3-19

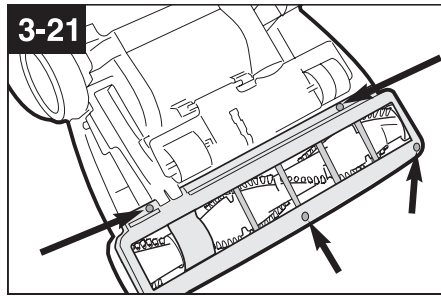
Replacing agator brush roll

Insert agator through belt and place belt in belt guide (E) on agator. Should the agator shield (F) become dislodged while replacing the belt or the agator, reposition it as shown noting the placement of its belt guide (G).



Securing agitator

Grasp agitator firmly and fit it into position by first sliding end opposite the belt into the rectangular slot (H) on side of cleaner. Pull other side of agitator (I) into place. Turn agitator making sure belt turns freely and is not pinched between agitator and bottom of cleaner



Replacing bottom plate

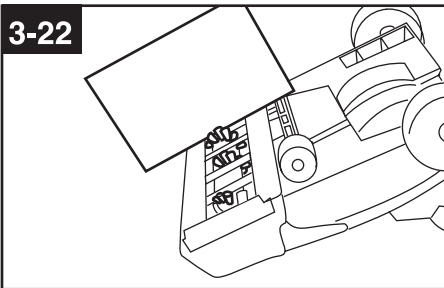
Reposition bottom plate and 5 Phillips head screws. Tighten screws securely.

The agitator brush roll

When to replace

When agitator brushes are worn, the agitator should be replaced.

To check condition of brushes, **disconnect cleaner from electrical outlet.**



Move edge of a card across bottom plate while turning agitator. To maintain cleaning effectiveness, replace agitator if brushes do not touch card.

Lubrication

The motor is equipped with bearings that contain sufficient lubrication for the life of the motor. The addition of lubricant could cause damage. **Therefore, do not add lubricant to motor bearings.**

Thermal protector

An internal thermal protector has been designed into your cleaner to protect it from overheating.

When the thermal protector activates, the cleaner will stop running. If this happens, proceed as follows:

1. Turn the cleaner OFF and disconnect it from the electrical outlet.
2. Check filters for dirt accumulation.
3. Refer to "Clearing blockages" section.

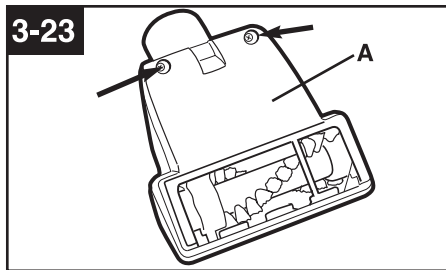
4. When cleaner is unplugged and the motor cools for 30 minutes, the thermal protector automatically resets and cleaning may continue.

If the thermal protector continues to activate after following the above steps, your cleaner may need servicing.

Powered hand tool

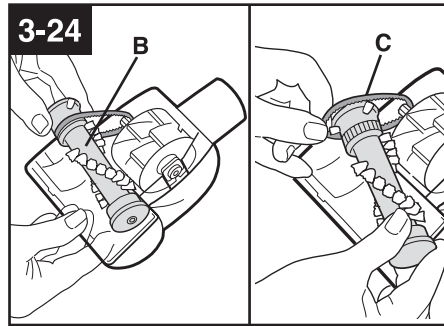
Agitator brush roll replacement

When agitator brushes are worn, the brush roll should be replaced.

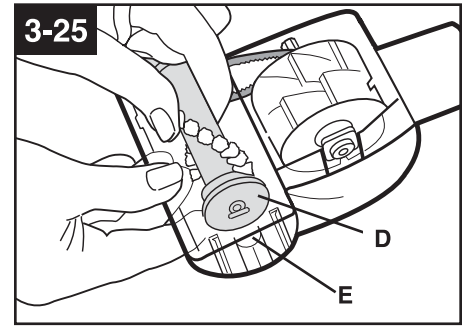


How to replace

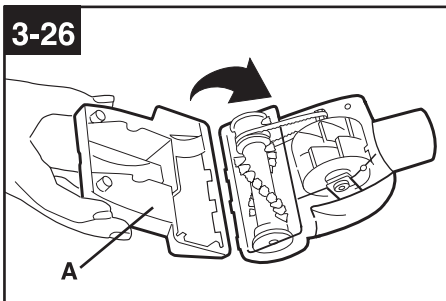
1. Remove tool from hose and turn it so bottom faces up. Using a Phillips screwdriver, remove the (2) screws on either side of tool and remove bottom plate (A).



2. Remove agitator (B) and discard.
3. Inspect belt to ensure that it is in good condition. If belt is cracked, gouged or broken, replace it (see following section).
4. Insert brush roll through belt and position belt over gear teeth (C) on brush roll.



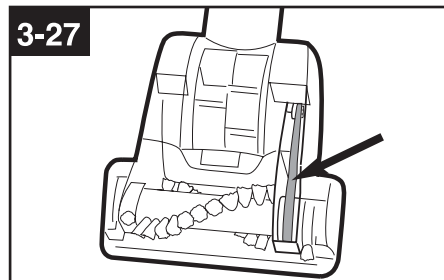
5. With curved ends down (arrows pointing up), slide end plates (D) of brush roll into slots (E) on tool. Turn agitator to make sure it rotates freely.



6. To replace bottom plate (A), insert the four tabs on edge of bottom plate into slots on front of tool. Pivot bottom plate down to close. Replace (2) screws on either side of tool.

Powered hand tool Belt replacement Inspect the belt

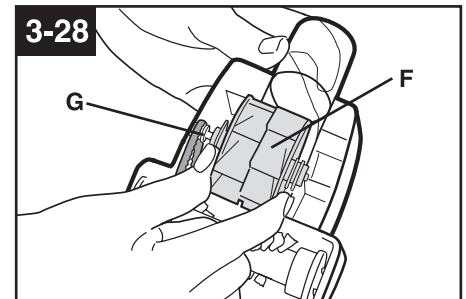
The powered hand tool belt is designed to last a long time and is not normally replaced. However, if the belt is cracked, gouged or broken, it should be replaced.



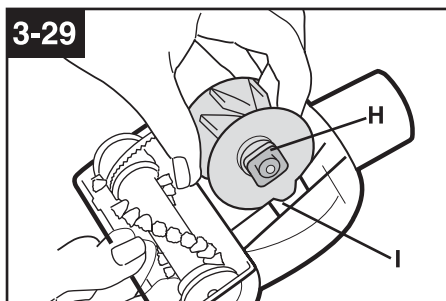
Remove tool from hose. The belt can be seen through the top of the nozzle or by removing the bottom plate (Figs. 3-23).

Replace belt

1. Remove tool from hose. Remove bottom plate and brush roll as described in Figs. 3-15 and 3-16.



2. Grasp turbine (F) and pull to remove.
3. Remove belt from turbine pulley (G). Replace with new belt.



4. Press turbine retainers (H) into grooves (I) on tool housing.
5. Replace brush roll and bottom plate as described in Figs. 3-24 through 3-26.

4. If you have a problem

If a minor problem occurs, it usually can be solved quite easily when the cause is found by using the check - list below.

Problem: Cleaner won't run

Possible Cause

Possible Solution

- **Not firmly plugged in**
- *Plug unit in firmly*
- **No voltage in wall receptacle**
- *Check fuse or breaker*
- **Blown fuse or tripped breaker**
- *Replace fuse or reset breaker*
- **Thermal protector activated**
- *Unplug cleaner and allow cleaner to cool for 30 minutes (this will reset the thermal protector)*

Problem: Cleaner/tools won't pick up

Possible Cause

Possible Solution

- **Broken or worn belt**
- *Replace belt*
- **Agitator brush roll worn**
- *Replace brush roll*
- **Dirt cup full**
- *Empty dirt cup*
- **Filters dirty**
- *Clean filters*
- **Incorrect carpet height setting**
- *Move nozzle control knob to lower setting*
- **Blockage in air flow passages**
- *Clear blockage*

Problem: Cleaner hard to push

Possible Cause

Possible Solution

- **Incorrect carpet height setting**
- *Move carpet height control to a higher setting*

Problem: Smoky/burning smell detected

Possible Cause

Possible Solution

- **Belt broken or stretched**
- *Ask service to replace agitator brush roll belt*

Problem: Powered hand tool brush roll won't turn

Possible cause

Possible solution

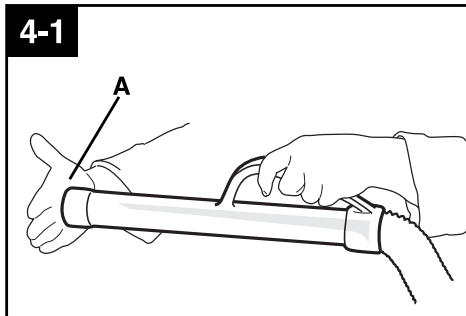
- **Too much pressure being applied to tool**
- *Continue using tool applying light pressure.*
- **Blockage in turbine channel**
- *Remove blockage.*
- **Broken or worn belt**
- *Replace belt*
- **Low cleaner suction**
- *Check items under "Cleaner won't pick up".*

Clearing blockages

Disconnect cleaner from electrical outlet.

Low suction or pick up may be due to a blockage in the system. Refer to the following steps to check for blockages **continuing with each step until the blockage is found:**

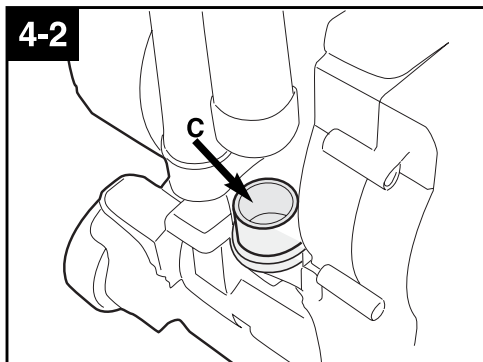
1. Check fullness of dirt cup; empty if needed.



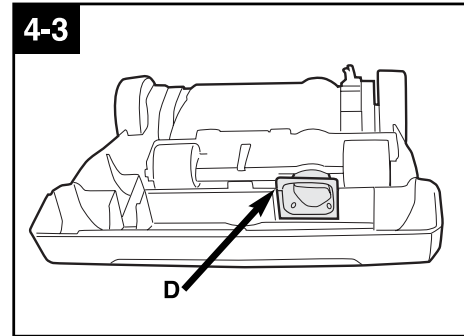
Checking airflow path

2. Plug cleaner in and turn ON. Check for suction at end of hose (A). If there is **suction**, continue with step 3.

If there is **no suction**, check for blockage in hose and dirt tube as follows:



3. **Turn cleaner OFF and unplug.** Check connection at hose tube (C); remove any blockage.



Checking under bottom plate

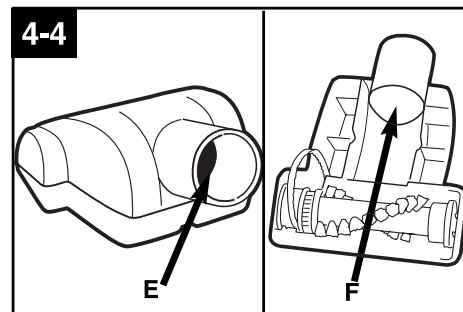
4. **Turn cleaner OFF and unplug.**

5. Remove bottom plate, belt and agitator.

Look into opening (D) for blockages and remove.

6. Remove agitator shield and remove any loose debris which may have accumulated under it.

If a blockage occurs during powered hand tool use:



11. **Disconnect powered hand tool from hose.** Check tool connector opening (E) for blockage and remove.

Remove bottom plate and turbine as described in Figs. 3-15 and 3-18.

Remove any blockage from turbine channel (F).

Replace belt, turbine, brush roll, and bottom plate.

Contenidos

Seguridad de Importancia

1. Ensamblar Aspiradora	14
2. Cómo usar	15
3. Mantenimiento	
Indicador de flujo de aire	17
Filtros de limpieza Filtro HEPA de por vida	18
Cómo reemplazar	19
Cuándo reemplazar la barra de cepillo en el agitador	20
Reemplazado de la barra de cepillo en el agitador	21
4. Si tiene algún problema	
Normales problema	22
Limpiando las obstrucciones	23

¡Seguridad de Importancia!

Cuando usa un dispositivo eléctrico, siempre siga las precauciones básicas, incluidas las siguientes:

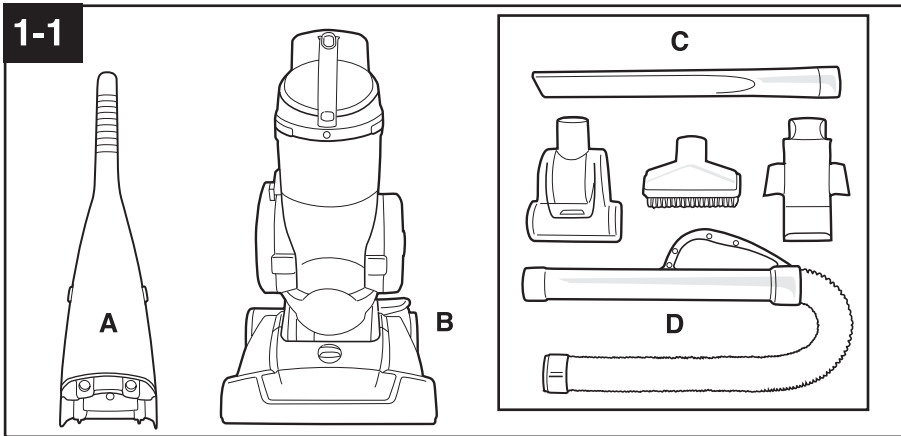
LEA TODAS LAS INSTRUCCIONES ANTES DE USAR ESTE DISPOSITIVO
ADVERTENCIA: Para reducir el riesgo de incendio, choque eléctrico lesiones:

- No use el dispositivo al aire libre o en superficies húmedas.
- Este dispositivo no se ha diseñado para uso por personas (incluidos niños) con reducidas capacidades físicas, sensoriales o mentales, ni por personas con carencia de experiencia y conocimiento, a menos de que ellas hayan sido supervisadas o instruidas acerca del uso del dispositivo por una persona encargada de su seguridad.
- Si el cable de alimentación eléctrica es dañado, debe ser reemplazado por el agente de servicio del fabricante o personas calificadas para evitar riesgo.
- Mantenga alejados de aberturas, agitador giratorio y otras partes en movimiento el pelo, ropa, dedos, pies y todas las partes del cuerpo. No opere la aspiradora en pie desnudo o usando zapatos con puntera abierta o chancletas.
- No recoja nada que esté quemando o echando humo, tales como cigarrillos, fósforos o cenizas calientes.
- No utilice el equipo para recoger materiales combustibles o inflamables, tales como gasolina, o arenas de madera fina, o en áreas donde éstas puedan ser presentes.
- Evite recoger objetos duros y de punta con la aspiradora. Pueden dañar la aspiradora.
- Siempre apague la aspiradora antes de conectar o desconectar la manguera.
- Desconecte la aspiradora antes de conectar la herramienta de mano con potencia.
- No use el equipo sin la copa de suciedades o filtros. Vacíe la copa y limpie filtros frecuentemente, cuando recoge materiales muy finos tal como polvo.
- Tenga mucho cuidado cuando limpia en escaleras.
- No ponga ningún objeto hacia dentro de las aberturas. No use el equipo con abertura bloqueada. Mantenga libre de polvo, pelo o cualquier otro objeto que pueda reducir el flujo de aire.
- No tire o mueva o use la cuerda como un mango. No cierre la puerta en la cuerda o tire la cuerda sobre bordes o esquinas de punta. No haga funcionar el equipo sobre la cuerda. Mantenga la cuerda alejada de superficies calientes.
- Siempre desconecte la cuerda de la toma de corriente eléctrica antes de servir la aspiradora.
- Desconecte la aspiradora si no la usa. Apague todos los controles antes de desconexión.
- No desconecte la cuerda tirándola a fuerza. Para desconectarla, coja el enchufe y no la cuerda. Nunca toque el enchufe o el equipo con manos húmedas.
- Mantenga el enchufe cuando la cuerda está rebobinándose para prevenir la cuerda de azotamiento.
- El uso de una cuerda con extensión no es recomendado.
- No use cuerda o enchufe dañado.
- Use la aspiradora de vacío solamente para su uso intentado como se describe en las instrucciones.

¡Guardé estas instrucciones!

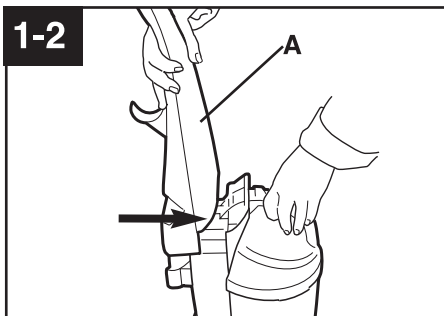
1. Ensamblar Aspiradora

Contenidos del Cartón



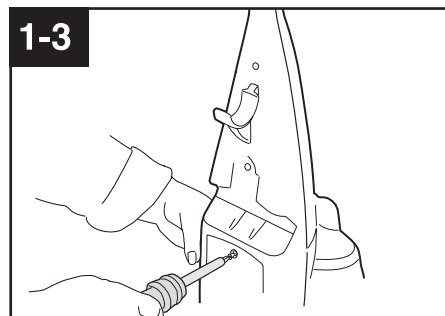
- A. Sección del mango y el tornillo (pegado al mango)
- B. Cuerpo de la aspiradora
- C. Herramientas de limpieza
- D. Manguera

Remueva todas las partes del cartón y identifique cada ítem mostrado. Asegúrese que todas las partes se han localizado antes de disponer materiales de embalaje.

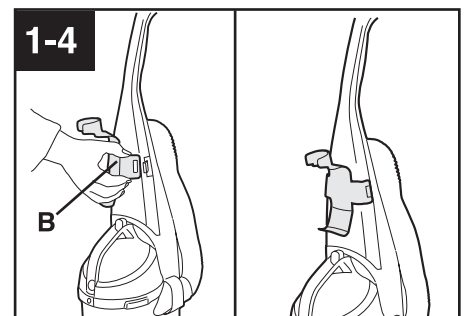


Fijar mango

Deslice la sección del mango (A) hacia arriba, hasta la parte trasera del mango.

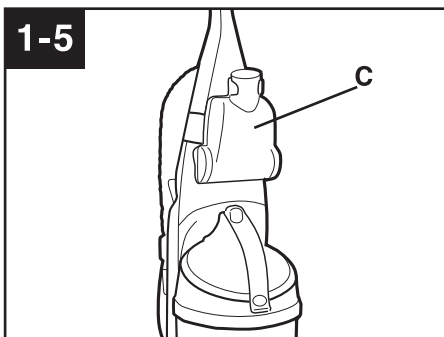


Empuje el tornillo hacia dentro de la parte trasera del mango. Fije con seguridad el tornillo con un destornillador Phillips.

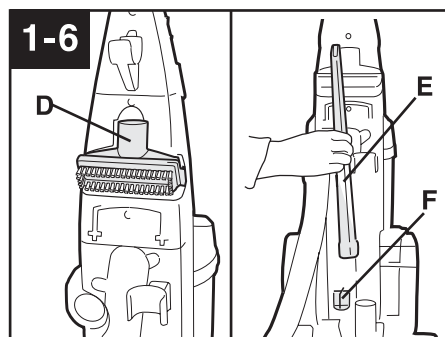


Herramientas de posicionamiento

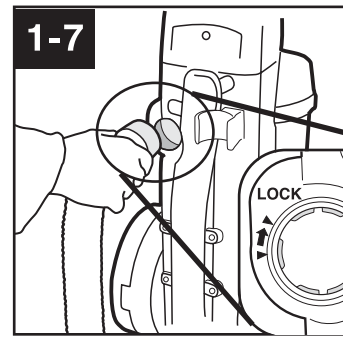
Asegúrese de que la agarradera se posicione correctamente como se muestra en la imagen.



Coloque la herramienta de mano con potencia hacia dentro de la agarradera como se muestra.

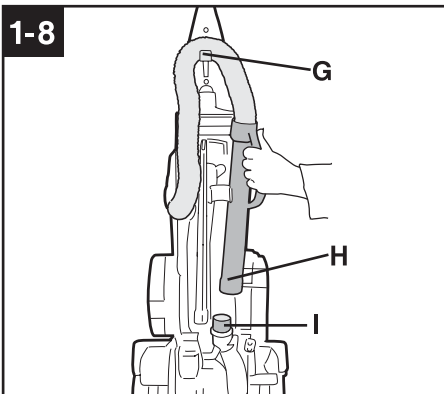


Coloque la herramienta de combinación (D) hacia dentro de la abertura en la parte trasera del mango. La vara (E) se desliza sobre el poste (F) en la parte trasera de la aspiradora.



Posicionar la manguera

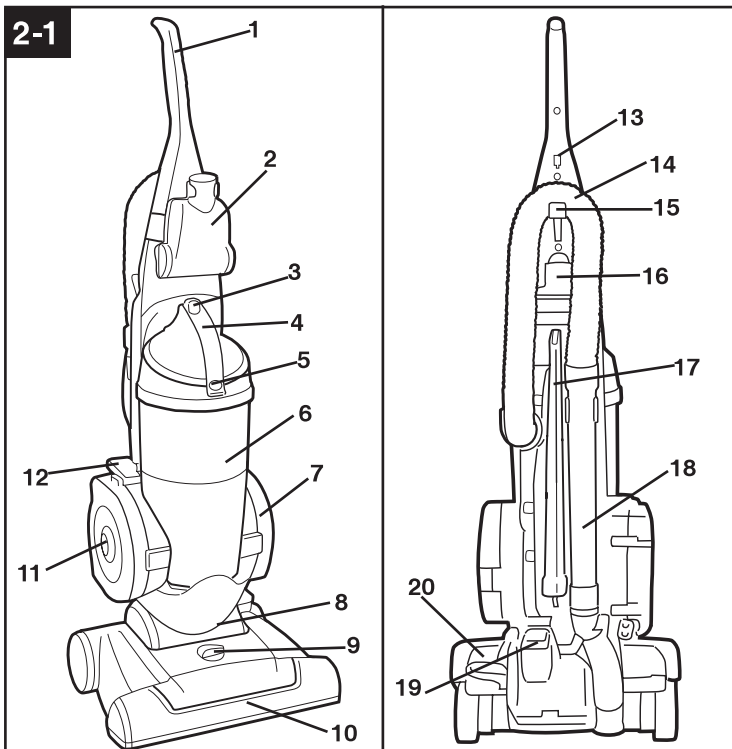
Alinee el cabo de la manguera con proyecciones sobre ranuras en ducto en la parte trasera de la aspiradora. Torzca para cerrar. El conector de la manguera permite a la manguera que dé vueltas.



Envuelva la manguera sobre el gancho (G).
Empuje el cabo de la manguera (H) firmemente hacia dentro del tubo (I) como se muestra.

2. Cómo usar

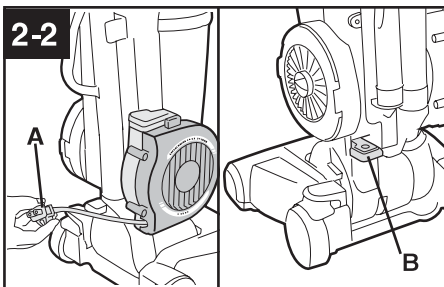
Descripción de la aspiradora



1. Sujeción del mango
2. Herramienta de mano con potencia
3. Botón de suelta – copa de suciedades
4. Mango de portador / Mango de la copa de suciedades
5. Indicador del flujo de aire
6. Ensamblaje de la copa de suciedades
7. Filtro HEPA de por vida
8. Cubierta del cuerpo
9. Manija de control
10. Tobera de muebles: ayuda a prevenir la aspiradora de marcar muebles.
11. Bobina de cuerda
12. Botón de rebobinado de la cuerda
Presione dicho botón para rebobinar la cuerda para almacenamiento. **Apriete el tapón hasta que se rebobine la cuerda.**
13. Gancho de la cuerda
14. Manguera
15. Agarradera de la manguera
16. Herramienta de combinación
17. Vara
18. Mango de la manguera
19. Pedal de ENCENDER/APAGAR
20. Pedal de suelta: pise el pedal para bajar el mango a posiciones de operación o más bajas.

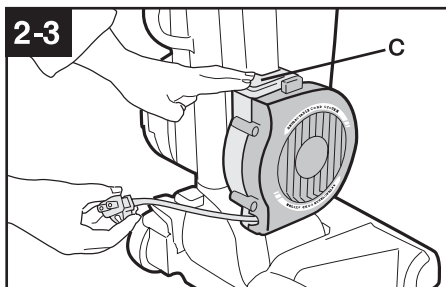
Opere la aspiradora sólo al voltaje especificado sobre el plato de datos en la parte trasera de la aspiradora.

Esta aspiradora se ha diseñado para uso de hogar.



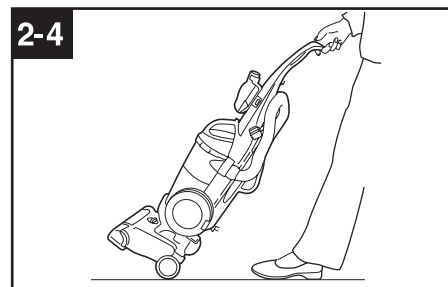
Pedal de ENCENDER/APAGAR

Agarre el cabo del enchufe (A) y tire la cuerda hasta la longitud deseada. Enchufe la cuerda hacia dentro de la toma de corriente eléctrica. Para encender la aspiradora, pise el pedal (B) una vez. Para apagarla, pise el pedal otra vez.



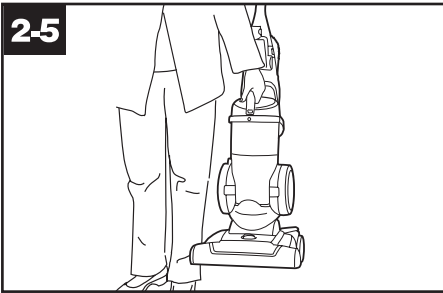
Rebobinado de la Cuerda

Agarre el cabo del enchufe y tire para soltar la cuerda desde la bobina de la cuerda. Después de alcanzar la longitud deseada, la cuerda se cerrará en la posición. **Para regresar la cuerda para almacenamiento, coja el enchufe y presione el botón (C) en el tope de la bobina de la cuerda. Para prevenir la cuerda de flagelación, coja el enchufe hasta que la cuerda se rebobine.**

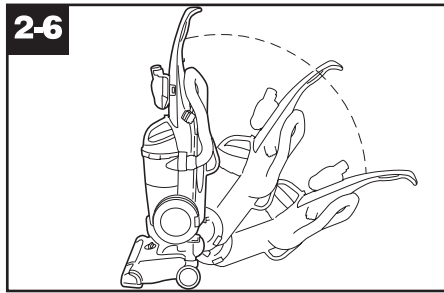


Transportar la aspiradora

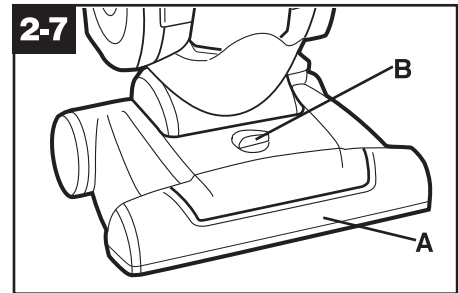
Para mover su aspiradora de un cuarto al otro, coloque el mango en la posición hacia arriba, con la parte trasera de la aspiradora en ruedas traseras y empuje hacia adelante.



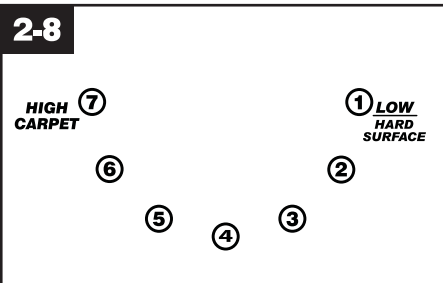
2-5
Moviendo la aspiradora
 La aspiradora también puede moverse con el uso del mango, ubicado en el tope de la copa de suciedades.



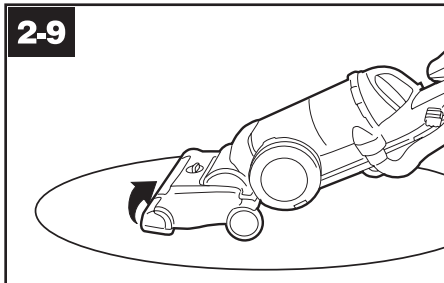
2-6
Posiciones del mango
 El mango de su aspiradora tiene tres posiciones: **derecho hacia arriba** para almacenamiento y cuando usar herramientas de limpieza; **posición de operación** para operación general en moqueta y pisos; **baja** para alcanzar muebles bajos. Pise el mango y suelte el pedal para bajar el mango.



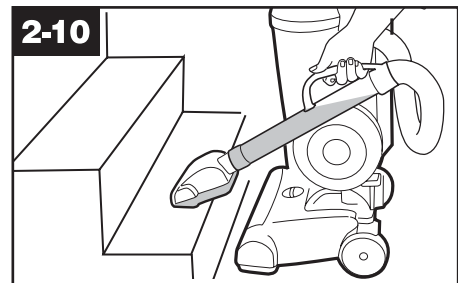
2-7
Ajuste para la altura de la moqueta
 La limpieza de la moqueta y alfombras se realiza en la tobera (A). Cuando hace falta elevar y bajar la tobera para ajustarse a varias alturas de pilas de moquetas, coloque el mango en la posición *derecho hacia arriba* y gire el botón de control de la tobera (B) a la posición deseada. **La tobera no se moverá hacia dentro de la posición ajustada hasta que el mango de la aspiradora se baje a la posición de operación.**



2-8
Configuraciones
 Para el máximo funcionamiento de limpieza, las siguientes configuraciones de altura de la moqueta son recomendadas:
 • **Configuración más baja:** para pavimentación de todos los tipos de moqueta y superficie dura.
Nota: Si es difícil empujar la aspiradora, gire el botón a la siguiente posición más alta.
 • **Configuración más alta:** Para moqueta muy profunda, donde esfuerzos de empuje más fáciles se deseen, manteniendo buen rendimiento de limpieza.



2-9
Limpiando alfombras flexibles de poco peso
 Manténgase de pie sobre un extremo de la alfombra y mueva la aspiradora hacia otro extremo o borde. Antes de llegar al borde, empuje el mango, dicha acción va a elevar la tobera (la parte frontal de la aspiradora) como se muestra y prevendrá la alfombra de pegarse a la aspiradora. Siga elevando la tobera a fin de que cuando haya llegado al borde, se haya quitado completamente de la alfombra. Mueva la aspiradora hacia atrás para empezar de nuevo, baje la tobera y use solamente golpes hacia adelante.



2-10
Limpeza en escaleras
 Utilice la manguera y la herramienta de mano para la limpieza en las escaleras. Limpie desde la parte inferior hasta la parte superior.
Cuando usa herramientas de limpieza, el agitador continuará a girar.

PRECAUCIÓN: Para evitar lesiones personales o desgastes innecesarios a la moqueta, y para prevenir la aspiradora de caerse, siempre colóquela en la parte inferior de escaleras.

Herramientas de limpieza

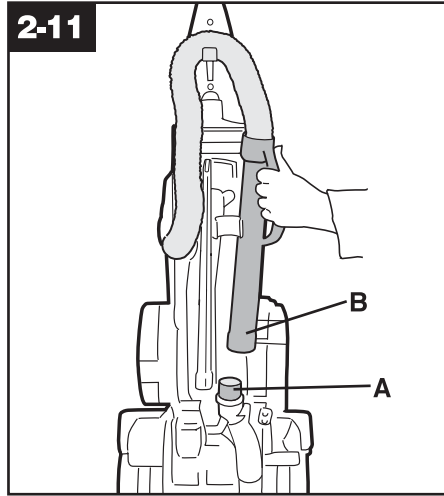
Herramientas utilizadas para limpiar superficies sobre el piso y áreas duras y limpias.

La aspiradora está dispuesta para uso cuando el mango se encuentra en la posición derecho, hacia arriba.

PRECAUCIÓN: El agitador continua rotando cuando el mango de la aspiradora está en la posición derecho. Evite voltear la aspiradora o colocarla sobre muebles, alfombras o escaleras cubiertas por moqueta durante uso de la herramienta.

Cómo usar herramientas de limpieza

Para limpiar la manguera y la herramienta de mano con potencia, quite las suciedades con una tela antes metida en detergente. Friegue con una tela húmeda. NO submerja la herramienta de mano en agua. Las herramientas de limpieza pueden lavarse en agua caliente con un detergente. Friegue y seque con aire ante de usarlas.

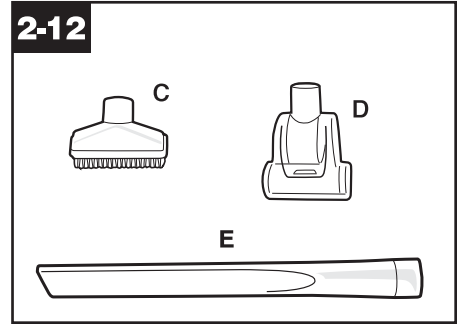


Remover la manguera

Cuando usa las herramientas de limpieza, el mango de la aspiradora debe estar en la posición *derecho*.

También, apague la aspiradora antes de desconectarla y conecte la manguera al tubo de manguera (A).

Para usar la manguera, eleve el cabo de la manguera (B) como se muestra. Cuando termine de limpiar con las herramientas, recolóque el cabo de la manguera en el tubo.



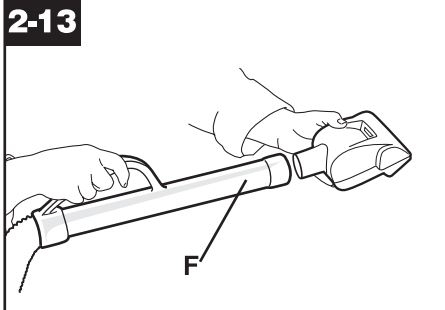
Seleccionar herramienta correcta

C. Herramienta de combinación use con cepillo adjunto para muebles tallados, mesas, libros, lámparas, aditamentos, persianas, rodapiés, cortinillas y registros.

Remueva el cepillo para limpiar muebles entapizados, pañerías, colchones, ropa y escaleras cubiertas por moqueta.

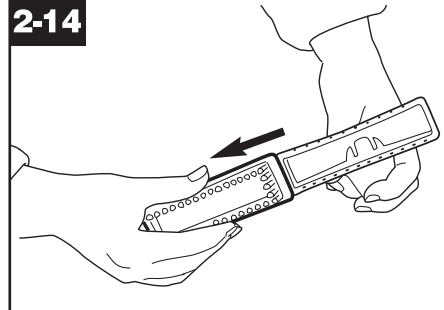
D. Herramienta de mano con potencia puede ser utilizada para muebles entapizados, pañerías, colchones, ropa, interiores de automóvil y escaleras cubiertas por moqueta.

E. Vara de grieta puede ser utilizada en espacios estrechos, esquinas y a lo largo de bordes, tales como cajones de ropa, muebles entapizados, escaleras y rodapiés. También puede utilizarse junto con un cepillo.



Adjuntar vara y herramientas

Adjuntar herramienta a la manguera (F) empujándola firmemente en la manguera. Torzca la vara o la herramienta levemente para fijar o soltar la conexión.

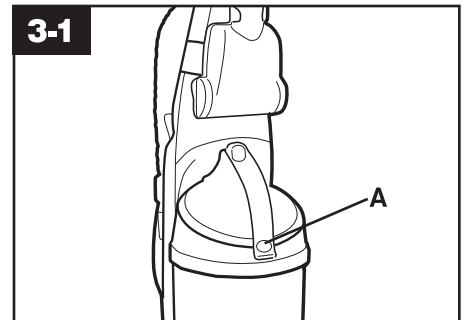


Herramienta de combinación

Resbale el cepillo para removerlo. Para reemplazar cepillos, alinee el cepillo con carrileras en la herramienta. Resbale el cepillo hasta su posición correcta.

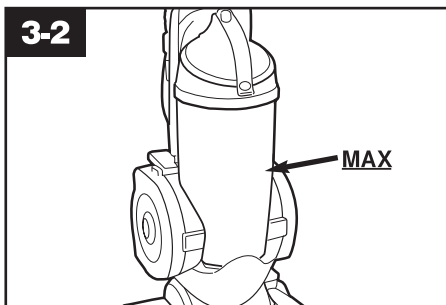
3. Mantenimiento

Familiarícese con estas tareas de mantenimiento de hogar y tenga mucho cuidado durante el uso de su aspiradora, lo cual le asegurará eficacia de limpieza.



Indicador de flujo de aire

El indicador (A) mostrará amarillo cuando la copa de suciedades se llene o cuando hay una obstrucción o un atasco en el sistema. **Apague la aspiradora y desconéctela.** Chequee la copa de suciedades y vacíela en caso haga falta. Encienda la aspiradora de nuevo. Si el indicador sigue mostrando amarillo, siga las instrucciones bajo "Eliminando Obstrucciones".

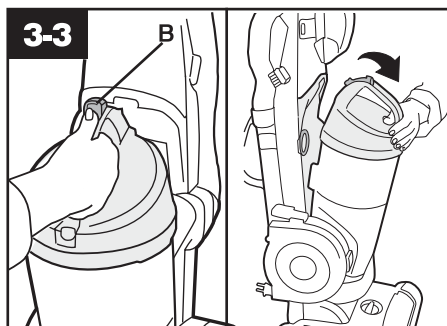


3-2

Cuándo vaciar la copa de suciedades

Se le recomienda que la copa de suciedades se vacíe antes de que las suciedades lleguen a la línea de llenarse (MAX), o después de cada vez de uso en caso preferido.

PRECAUCIÓN: Materiales muy finos, tales como polvo de cara o fécula de maíz, puede sellar el filtro y causar pérdida de succión. Cuando se usa la aspiradora para este tipo de polvo, vacíe la copa y limpie los filtros a menudo.

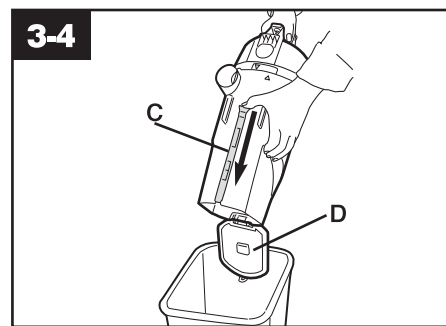


3-3

Cómo vaciar

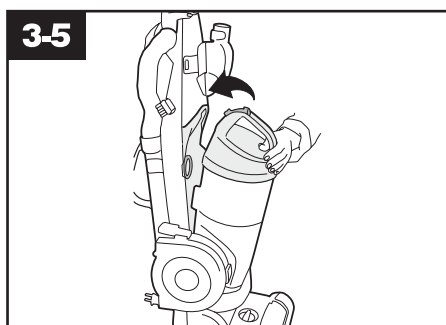
Desconecte la aspiradora de la toma de corriente eléctrica. No use la aspiradora sin la copa de suciedades o filtros.

Presione el botón (B) de suelta de la copa de suciedades y empiece a vaciar la copa.



Sujetar la copa de suciedades sobre el receptáculo de basuras Presione la puerta de la copa de suciedades para soltar la barra (C) en la parte trasera de la copa de suciedades, a fin de abrir la puerta (D) de la copa.

Vaciar la copa de suciedades. Cierre la puerta de la copa de suciedades.



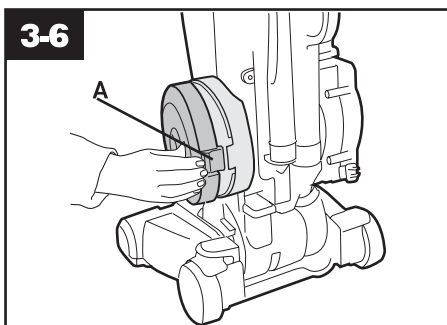
Coloque adecuadamente primero la parte inferior de la copa de suciedades. Meta la copa hacia dentro del cuerpo de la aspiradora. Presione la copa de suciedades firmemente hasta que oiga un clic que le asegura que está bloqueada correctamente en su posición.

3-5

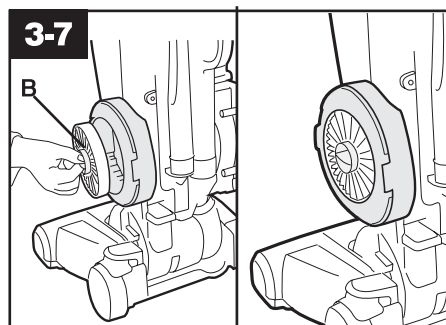
Filtros de limpieza

Filtro HEPA de por vida

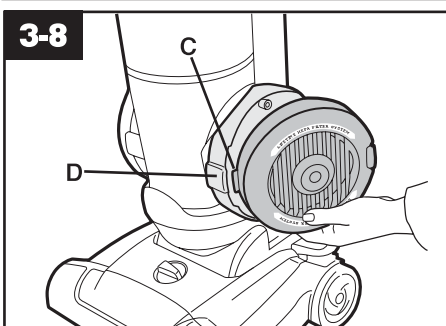
Si intenta limpiar este filtro, puede removerlo y limpiarlo.



Presione la etiqueta (A) localizada al lado de la cubierta del filtro para removerla.



Remueva el filtro HEPA (B) y cepille con la herramienta de combinación para limpiar el filtro y meta el polvo hacia dentro de un receptáculo de basuras. Regrese el filtro HEPA hacia dentro de la cavidad del filtro.



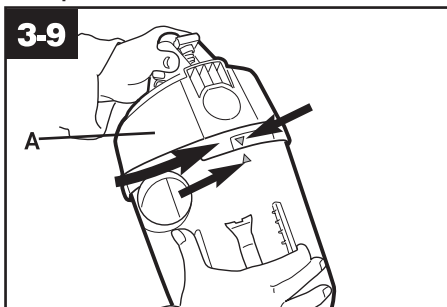
Alinee la etiqueta (C) en la cubierta del filtro con la ranura (D). Presione la cubierta para cerrarla hasta que oiga un clic.

3-8

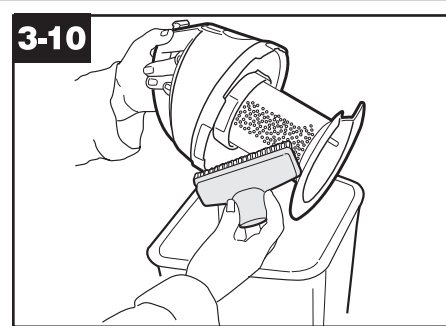
Ensamblaje del filtro de la copa de suciedades

Cómo limpiar

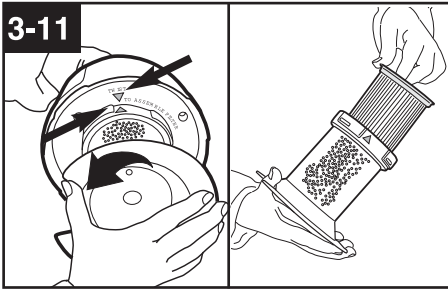
Desconecte la aspiradora desde la toma de corriente eléctrica. No use la aspiradora sin la copa de suciedades o filtros.



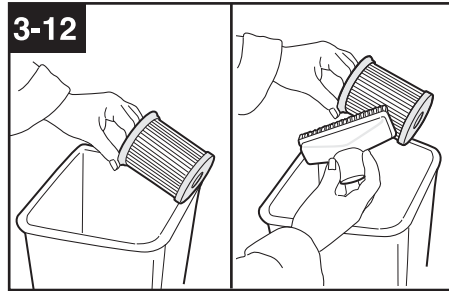
Remueva la copa de suciedades como se describe en fig. 3-3. Tuerzca la tapa (A) en la copa de suciedades en contra del sentido de las agujas del reloj hasta que en la tapa aparezca la flecha y que se alinee la copa de suciedades. Remueva la tapa desde la copa de suciedades con el cartucho.



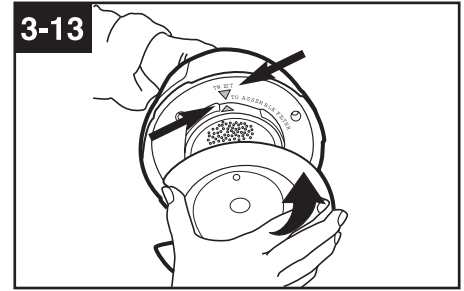
Polvos y basuras pueden ser limpiadas luego del cartucho del filtro con el cepillo y con la herramienta de combinación en la aspiradora.



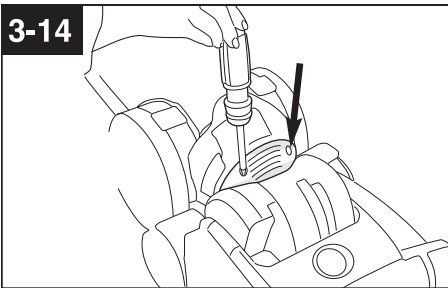
Tuerzca el cartucho del filtro en contra del sentido de las agujas del reloj, alineando las flechas en la tapa y el cartucho. Remueva el filtro desde el interior del cartucho.



Acerque el filtro sobre el borde del contenedor de basuras para remover el polvo o cepille con la herramienta de combinación de la aspiradora. Regrese el filtro hacia dentro del cartucho del filtro.



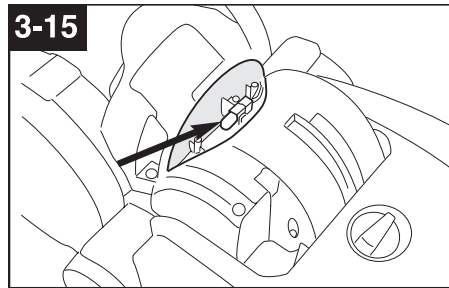
Reemplace el ensamblaje del filtro en la tapa de la copa de suciedades, alineando las flechas y tuerzca en sentido del reloj para bloquearlo en su posición. Reemplace la tapa de la copa de suciedades, alineando las flechas en la tapa y la copa de suciedades y luego, tuerzca en sentido del reloj. Reemplace la copa de suciedades como se describe en la fig. 3-5.



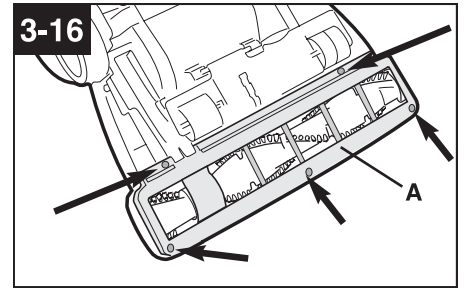
3-14
Remover lente
Desconecte la aspiradora de la toma de corriente eléctrica.

Presione el mango y suelte el pedal y coloque el mango en la Posición más baja.

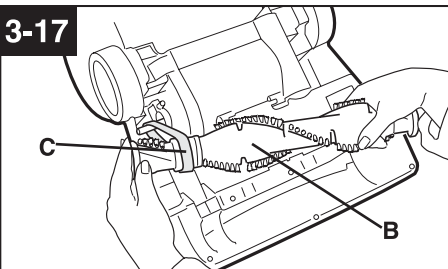
Usando un destornillador Phillips, remueva los dos tornillos como se muestra y eleve lente.



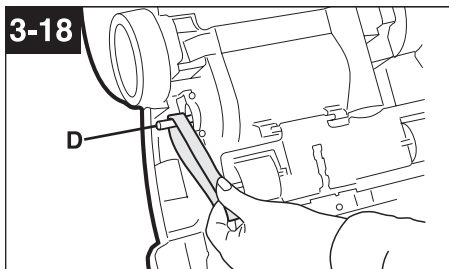
3-15
Instalando bombilla
Tire la bombilla antigua directamente fuera de la ranura. Empuje la bombilla nueva directamente hacia dentro de la ranura hasta que se bloquee en su posición correcta.
No se requiere fuerza excesiva. Reposicione lente y sujételo con tornillos.



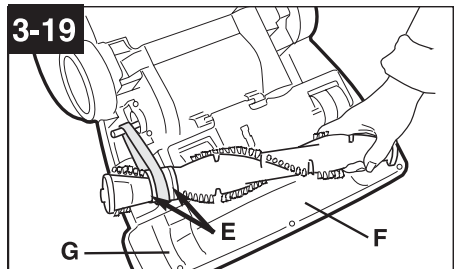
3-16
Cómo reemplazar
Desconecte la aspiradora de la toma de corriente eléctrica.
Remover el plato en la parte inferior
Coloque el mango en la posición más inferior y voltee la aspiradora para que la parte inferior se quede hacia arriba. Remueva los 5 tornillos como se muestra con un destornillador Phillips. Eleve y quite el plato de la parte inferior (A).



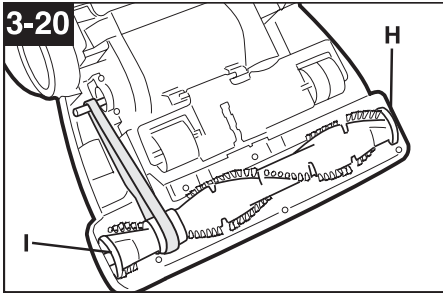
3-17
Remover cinturón
Remueva el rollo (B) de cepillo en el agitador y el cinturón usado (C). Descarte el cinturón usado.



3-18
Instalando nuevo cinturón
Con la rotulación en la parte externa del cinturón, posicónelo como se muestra, deslice el nuevo cinturón sobre la polea del motor (D).



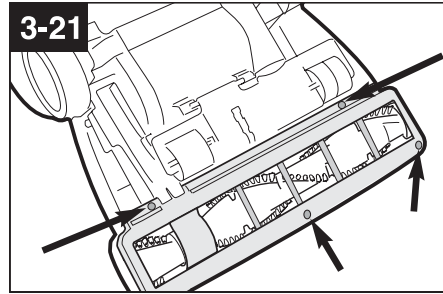
3-19
Reemplazar la barra de cepillo en el agitador
Inserte el agitador por el cinturón y coloque el cinturón en el guía (E) de cinturón en el agitador. En caso de que la capa protectora (F) del agitador se desplace durante el proceso de reemplazado del cinturón o del agitador, reposicónelo como se muestra, cuidado con la colocación del guía (G) de cinturón.



Asegurar agitador

Agarre firmemente el agitador y colóquelo hacia dentro de su posición resbalando el cabo en contra del cinturón hacia dentro de la ranura (H) rectangular al lado de la aspiradora.

Tire el otro lado del agitador (I) hasta su lugar. Gire el agitador asegurándose de que el cinturón pueda girar libremente y no se pincha entre el agitador y la parte inferior de la aspiradora.

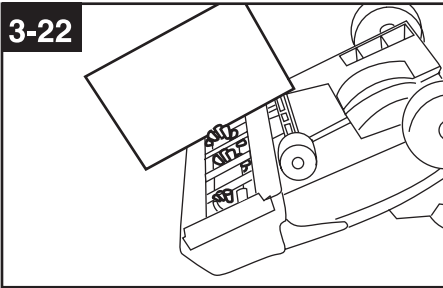


Reemplazar el plato inferior

Reposicione el plato inferior y los 5 tornillos de cabezal Phillips. Firme los tornillos seguramente.

Cuándo reemplazar la barra de cepillo en el agitador

Cuando los cepillos en el agitador se rompen, hay que reemplazar el agitador. Para chequear las condiciones de los cepillos, **desconecte la aspiradora de la toma de corriente eléctrica.**



Cuando funciona el agitador, mueva el borde de una carta por el plato inferior. Para mantener la eficacia de limpieza, reemplace el agitador si los cepillos no tocan la carta.

Lubricación

El motor está equipado de rodamientos que contienen suficiente lubricación por la vida del motor. La adición de lubricante podría causar daños. **Por ello, no añada lubricante a los rodamientos del motor.**

Protector térmico

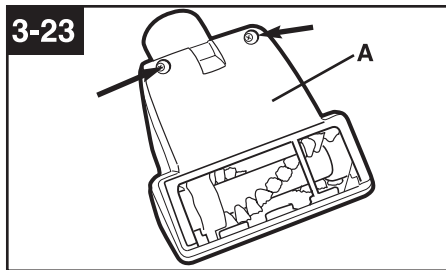
Un protector térmico interno ha sido diseñado en su aspiradora para protegerla de sobrecalentamiento. **Cuando se active el protector térmico, la aspiradora va a dejar de funcionar.** En este caso, proceda como sigue:

1. **Apague la aspiradora y desconéctela de la toma de corriente eléctrica.**
2. Chequee los filtros por acumulación de suciedades.
3. Refiérase a la sección **“Eliminar obstrucciones”**.

4. **Cuando la aspiradora se haya desconectado y el motor se enfríe por 30 minutos,** el protector térmico se restablecerá automáticamente y la limpieza podrá seguir. Si el protector térmico sigue activándose después de seguir los pasos anteriores, su aspiradora puede necesitar de un servicio de reparación.

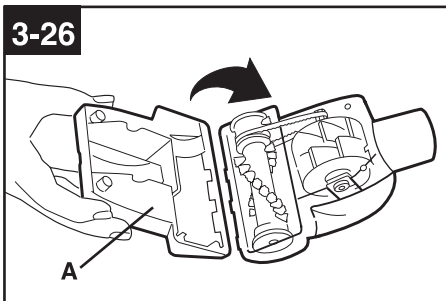
Reemplazo de la barra de cepillo en el agitador –

Herramienta de mano con potencia
Cuando los cepillos en el agitador se rompen, la barra de cepillo debe ser reemplazada.

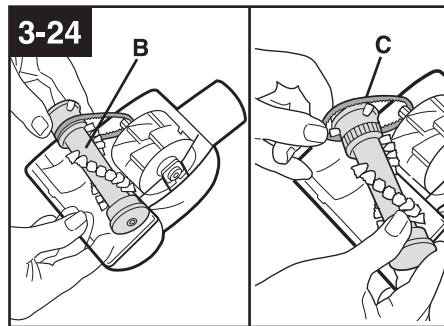


Cómo reemplazar

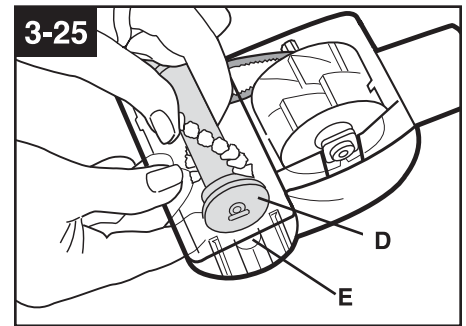
1. Remueva la herramienta de la manguera y colóquela invertidamente, con la parte inferior hacia arriba. Utilizando un destornillador Phillips, remueva los tornillos (2) en cualquier lado de la herramienta y remueva el plato inferior (A).



6. Para reemplazar el plato inferior (A), inserte las cuatro etiquetas en el borde del plato inferior, hacia dentro de las ranuras en la parte frontal de la herramienta. Reemplace los tornillos (2) en cualquier lado de la herramienta.



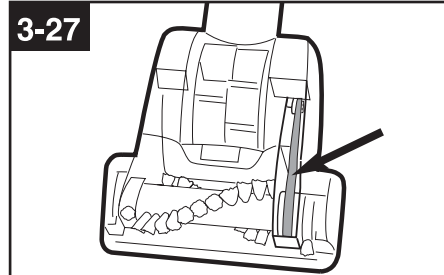
2. Remueva el agitador (B) y descártelo.
3. Inspeccione el cinturón para asegurarse que está en buena condición. Si el cinturón está agrietado, cortado o roto, reemplácelo (favor de ver la siguiente sección).
4. Inserte la barra de cepillo por el cinturón y posicione el cinturón sobre los dientes (C) de engranaje en la barra de cepillo.



5. Con los extremos curvados hacia abajo (flechas apuntan hacia arriba), resbale los platos (D) de la barra de cepillo hacia dentro de la ranura (E) en la herramienta. Active el agitador para asegurarse que gire libremente.

Reemplazo del cinturón en la herramienta de mano con potencia –

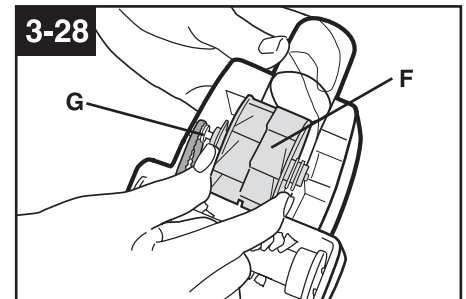
Inspeccionar el cinturón El cinturón en la herramienta de mano con potencia se ha diseñado para durar un largo período de tiempo y normalmente no se reemplaza. Sin embargo, si el cinturón está agrietado, cortado o roto, debe ser reemplazado.



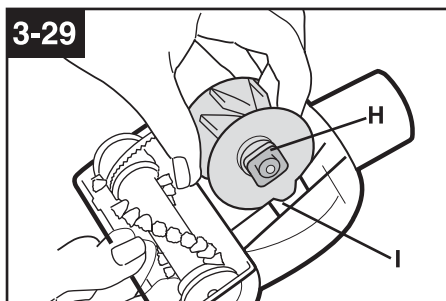
Remueva la herramienta de la manguera. El cinturón puede verse por el tope de la tobera o después de remover el plato inferior (Figs. 3-23).

Reemplazar cinturón

1. Remueva la herramienta de la manguera. Remueva el plato inferior y la barra de cepillo como se describe en Figs. 3-15 y 3-16.



2. Agarre turbina (F) y tire para remover.
3. Remueva el cinturón desde la polea de la turbina (G). Reemplácelo con otro nuevo.



4. Presione los dispositivos de retención (H) de la turbina hacia dentro de las ranuras (I).
5. Reemplace la barra de cepillo y el plato inferior como se describe en Figs. 3-24 por 3-26.

4. Si tiene algún problema

Si algún problema pequeño ocurre, muy a menudo puede ser resuelto bastante fácilmente cuando el motivo se ha encontrado utilizando la lista de chequeo como sigue.

Problema: La aspiradora no funciona

Causa posible

Solución posible

- **No se ha conectado a la alimentación eléctrica firmemente**
- *Conecte la unidad firmemente a la alimentación eléctrica*
- **En el receptáculo de muro no hay voltaje**
- *Chequee el fusible o el interruptor*
- **Fusible soplado o interruptor tropezado**
- *Reemplace el fusible o restablezca el interruptor*
- **El protector térmico es activado**
- *Desconecte la aspiradora y deje que la aspiradora se enfríe por 30 minutos (ello va a restablecer el protector térmico)*

Problema: La aspiradora / herramientas no se acelera/n

Causa posible

Solución posible

- **Cinturón roto**
- *Reemplace cinturón*
- **La barra de cepillo en el agitador se rompe**
- *Reemplace la barra de cepillo*
- **La copa de suciedades se llena**
- *Vacíe la copa de suciedades*
- **Los filtros son sucios**
- *Limpie los filtros*
- **La configuración de la altura de la moqueta es incorrecta**
- *Mueva el botón de control en la tobera a una configuración más baja*
- **Obstrucción en los pasajes del flujo de aire**
- *Elimine la obstrucción*

Problema: La aspiradora es difícil de empujar

Causa posible

Solución posible

- **La configuración de la altura de la moqueta es incorrecta**
- *Mueva el control de la altura de la moqueta a una configuración más alta*

Problema: Olor humeante / quemante se detecta

Causa posible

Solución posible

- **Cinturón roto o estirado**
- *Pida ayuda al servicio para reemplazar el cinturón en la barra de cepillo en el agitador*

Problema: La barra de cepillo en la herramienta de mano con potencia no gira

Causa posible

Solución posible

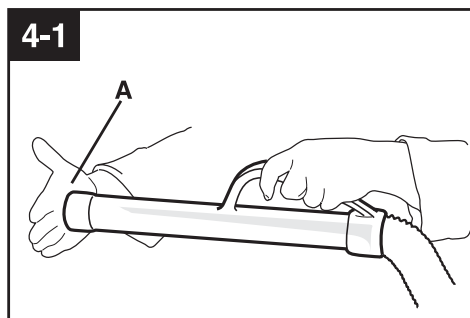
- **Una excesiva presión se ha aplicado a la herramienta**
- *Continúe el uso de la herramienta aplicando poca presión.*
- **Obstrucción en el canal de la turbina**
- *Remueva la obstrucción*
- **Cinturón roto**
- *Reemplace cinturón*
- **Baja succión de la aspiradora**
- *Chequee los ítems bajo "La aspiradora no se acelera".*

Limpiando las obstrucciones

Desconecte la aspiradora de la toma de corriente eléctrica.

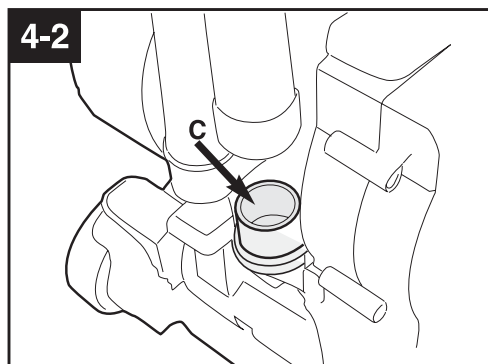
El fenómeno de baja succión puede deberse a una obstrucción en el sistema. Por favor, siga los siguientes pasos para chequear por obstrucciones. **Siga con cada paso hasta que se encuentre la obstrucción:**

1. Chequee el nivel de llenarse de la copa de suciedades. Vacíela en caso haga falta.

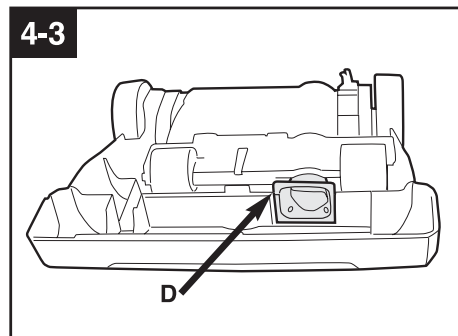


Chequeando el flujo de aire

2. Conecte eléctricamente la aspiradora y enciéndala. Chequee la función de succión al cabo de la manguera (A). Si hay una **succión**, siga con el paso 3. **Si no hay succión**, chequee por obstrucción en la manguera y el tubo de suciedades como sigue:



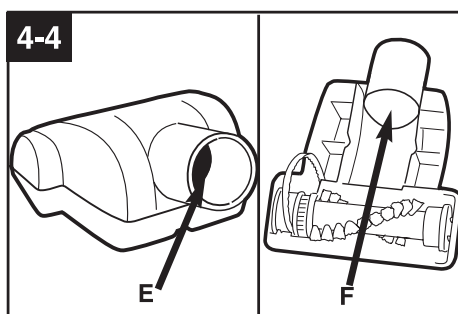
3. Apague la aspiradora y desconéctela. **Chequee la conexión en el tubo de la manguera (C); remueva toda obstrucción.**



Chequear el plato inferior del equipo

4. **Apague la aspiradora y desconéctela.**
5. Remueva el plato inferior, el cinturón y el agitador.
Mire hacia dentro de la abertura (D) detectando por obstrucciones y remuévalas si las hay.
6. Remueva la capa protectora del agitador y remueva toda basura que puede haberse acumulado por debajo.

Si una obstrucción ocurre durante el uso de la herramienta de mano con potencia:



11. **Desconecte la herramienta de mano con potencia desde la manguera.**
Chequee la abertura (E) en el conector de dicha herramienta por obstrucción y remuévala.
Remueva el plato inferior y la turbina como se describe en las figs. 3-15 y 3-18. Remueva toda obstrucción desde el canal de la turbina (F).
Reemplace el cinturón, turbina, barra de cepillo y el plato inferior.



LG Electronics Inc.

[http:// www.lge.com](http://www.lge.com)