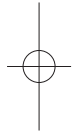




ENGLISH




## MODEL: FA164 (FA164-A0P, FAS164F)



**Before connecting, operating or adjusting this product, please read this instruction booklet carefully and completely.**



 As an ENERGY STAR® Partner, LG has determined that this product or product models meet the ENERGY STAR® guidelines for energy efficiency.

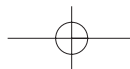


ENERGY STAR® is a U.S. registered mark.



**iPod is a trademark of Apple Computer, Inc, registered in the U.S. and other countries.**

P/NO : MFL61543974



## Safety Precaution



**CAUTION :** TO REDUCE THE RISK OF ELECTRIC SHOCK DO NOT REMOVE COVER (OR BACK) NO USER-SERVICEABLE PARTS INSIDE REFER SERVICING TO QUALIFIED SERVICE PERSONNEL.



This lightning flash with arrowhead symbol within an equilateral triangle is intended to alert the user to the presence of uninsulated dangerous voltage within the product's enclosure that may be of sufficient magnitude to constitute a risk of electric shock to persons.



The exclamation point within an equilateral triangle is intended to alert the user to the presence of important operating and maintenance (servicing) instructions in the literature accompanying the product.

**WARNING :** TO PREVENT FIRE OR ELECTRIC SHOCK HAZARD, DO NOT EXPOSE THIS PRODUCT TO RAIN OR MOISTURE.

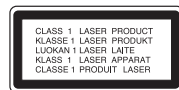
**WARNING :** Do not install this equipment in a confined space such as a book case or similar unit.

**CAUTION :** This product employs a Laser System.

To ensure proper use of this product, please read this owner's manual carefully and retain it for future reference. Shall the unit require maintenance, contact an authorized service center.

Use of controls, adjustments or the performance of procedures other than those specified herein may result in hazardous radiation exposure.

To prevent direct exposure to laser beam, do not try to open the enclosure. Visible laser radiation when open. DO NOT STARE INTO BEAM.



**CAUTION :** The apparatus shall not be exposed to water (dripping or splashing) and no objects filled with liquids, such as vases, shall be placed on the apparatus.

## Contents

Setting up	4
Main Unit	5
Remote control	6
Listening to CDs	7
Listening to the radio	8
Listening to music from your portable player	8
Using an USB device	9
Setting the Clock	9
Playing the iPod	10
Recording to USB	11
Troubleshooting	12
Specifications	12

### Precautions in using the touch buttons

- Use the touch buttons with clean and dry hands.
  - In a humid environment, wipe out any moisture on the touch buttons before using.
- Do not press the touch buttons hard to make it work.
  - If you apply too much strength, it can damage the sensor of the touch buttons.
- Touch the button that you want to work in order to operate the function correctly.
- Be careful not to have any conductive material such as metallic object on the touch buttons, and it can cause malfunctions.

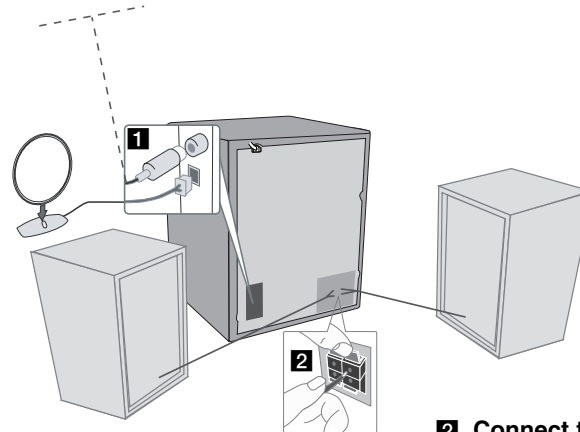
## Setting up

### **1 Fit the AM loop aerial to its stand**

Connect the AM loop aerial to the player.

### **Connect the FM aerial**

The reception will be at its best when the two loose ends of the aerial are in a straight line and horizontal.



### **2 Connect the speaker cables to the player**

Cables from the left-hand speaker connect to the terminal marked L (left) + (plus) and - (minus). Cables from the right-hand speaker are connected to the terminal marked R (right) + (plus) and - (minus).

To connect the cable to the player, press each of the four square plastic finger pads on the rear of the player. The connector will open ready to receive a cable.

### **3 Plug the power plug into a wall socket**

## Main Unit

### TOP

**FUNC.**

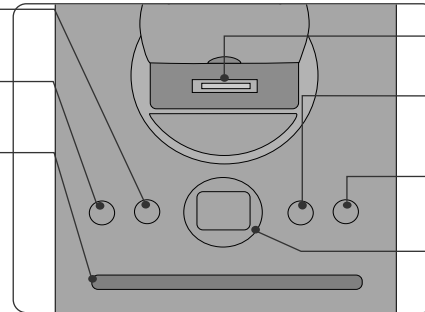
(Function) Selects the function.

**⏻/⏻ (Power)**

Turn the unit on and off.

**Disc Slot**

- Do not push a disc forcibly into the CD slot.
- Do not pull or push a disc while a disc is ejected.
- Press ▲ again to reinsert the disc after ejecting it.
- **pick it to the CD slot with the label side toward**



**iPod Dock**

**USB REC.**

Recording to USB.

**▲**  
Ejects or insert the disc from slot loader.

**USB Port**

### FRONT

**■**

Stop

**⏪ / ⏩**

Scanning/ Tuning/ Searching

**▶/⏻**

Play/ Pause

**VOL +/-**

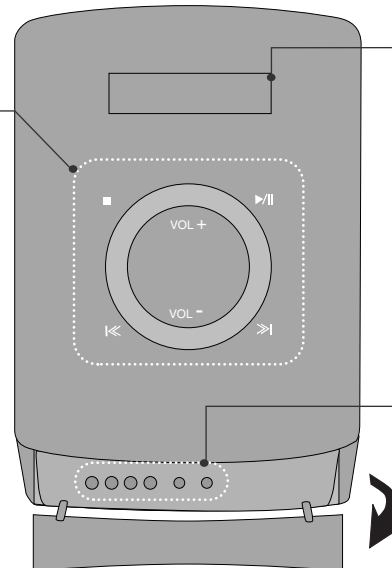
Volume control

**Power Save Mode**

You can set up the unit into an economic power save mode. In power-on status, press and hold **⏻** button for about 3 seconds.

- Nothing is displayed in the display window when the unit is turned off.

To cancel, press **⏻**, **CLOCK**, **TIMER** or **EQ/DEMO**.



**Display Window**

**EQ/ DEMO**

You can choose fixed sound impression. Press **DEMO** in power off state to demonstrate the function on display window. To cancel it, press **⏻/⏻** or **DEMO** again.

**CLOCK**

(See "Setting the Clock" )

**TIMER**

(See the "Using your player as an alarm clock")

**SET**

Confirms the settings.

**PORTABLE IN**

For connecting a portable device and listening to sound of it through this system's speakers.

**PHONES**

Headphone jack

## Remote control

	<b>POWER</b> on/ off POWER SAVE MODE
<b>SLEEP</b>	<b>Fall asleep while listening to your unit</b> Press <b>SLEEP</b> one or more times to select delay time between 10 and 180 minutes ( <b>Dimmer: Dim the display light</b> )
<b>INFO</b>	<b>See information about your music.</b>

<b>F (FUNCTION)</b>	<b>Changes the functions.</b>
<b>EQ</b>	<b>sound quality adjustment.</b> You can choose sound impressions.
<b>LG EQ</b>	You can select a Natural or Local Specialization equalizer effect by using LG EQ.

<b>REPEAT/MENU</b>	Listenes to your tracks repeatedly or randomly.
<b>TUN (+)/(-)</b>	<b>Selects the radio station.</b> <b>Searchs for a section within a track.</b> <b>Skips Fast backward or Forward.</b>
<b>▶/  </b>	<b>Starts or pauses playback</b>
<b>■ ENTER</b>	<b>Stops playback or recording</b>

<b>FOLDER • PRESET</b>	<b>Searchs for a folder of MP3/ WMA files</b> When a CD containing MP3/ WMA files in several folders is being played, press <b>FOLDER•PRESET</b> selects the folder you want to play. <b>Choose a 'preset number' for a radio station.</b>
------------------------	--

<b>VOL</b>	Controls the volume when using any function.
------------	--

<b>PROGRAM / MEMO.</b>	<b>For storing radio stations</b> If you have saved radio stations using <b>PROGRAM/MEMO.</b> , you can scroll through them and select one. <b>Listens to your tracks in any order</b>
------------------------	--

	<b>Temporarily stop the sound</b> Press the button again to return to the sound.
--	---

**● REC** **Recording button.**



**Put the battery into the remote control**  
Make sure for the + (plus) and - (minus) on the battery to be matched on the remote control. (size AAA)

## Listening to CDs

Audio CD and MP3/ WMA CD can be played back in this unit.

	ON UNIT	ON REMOTE
<b>1. Insert the CD</b>	-	-
<b>2. Select the CD function</b> The display will show the total number of tracks (files).	<b>FUNC.</b>	<b>FUNCTION</b>
<b>3. Start the CD playing</b>	<b>▶/  </b>	<b>▶/  </b>
<b>4. To stop a CD playing</b>	<b>■</b>	<b>■ ENTER</b>

### Listening to CDs - More you can do

#### Pausing or restarting a CD

- 1 Press **▶/||** on the unit or **▶/||** on the remote control during playback.
- 2 Press this button again to resume play.

#### Searching for a section within a track

Press and Hold **◀◀ / >>|** on the unit or **◀◀/▶▶|** on the remote control during playback and release it at the point you want to listen to.

#### Skipping to another track (files)

Press **◀◀ / >>|** on the unit or **◀◀/▶▶|** on the remote control in stop status.

#### Creating your own playlist

You can play up to 30 tracks on a CD in order.

- 1 Insert a CD and wait for it to be read.
- 2 Press **PROGRAM/MEMO.** on the remote control in stop status.
- 3 Press **◀◀ / >>|** on the unit or **◀◀/▶▶|** on the remote control to select a track.
- 4 Press **PROGRAM/MEMO.** again to save and select a next track.
- 5 Press **▶/||** on the unit or **▶/||** on the remote control to play the programmed music files.
- 6 To clear your selection, press **■** (or **■ ENTER**), **PROGRAM/MEMO.** and then **■** (or **■ ENTER**).

#### Listening to your tracks (files) repeatedly or randomly

- 1 Press **REPEAT/MENU** on the remote control repeatedly. The current (tracks) file will be played back repeatedly or randomly.
- 2 To return to normal playback, press **REPEAT/MENU** repeatedly to select.

### About MP3/ WMA

#### MP3/ WMA Disc compatibility with this unit is limited as follows:

- Sampling Frequency : 32 - 48 kHz (MP3), 32 - 48 kHz (WMA)
- Bit rate : 32 - 320 kbps (MP3), 40 - 320 kbps (WMA)
- CD-R physical format should be "ISO 9660/ JOLIET"
- If you record MP3/WMA files using the software which cannot create a FILE SYSTEM, for example "Direct-CD" etc., it is impossible to playback MP3 files. We recommend that you use "Easy-CD Creator", which creates an ISO 9660 file system.
- Do not use special letters such as "/ : \* ? " < >"etc.
- At most 99 folders and 999 files are supported on the unit..

### Enjoying a pre-programmed sound field

The system has a number of pre-set surround sound fields. You can select a desired sound mode by using **EQ/ LG EQ**. The displayed items for the Equalizer may be different depending on sound sources and effects.

#### NATURAL

You can enjoy comfortable and natural sound.

#### Local specialization equalizer

Regionally optimized sound effect. (DANGDUT/ ARABIC/ PERSIAN/INDIA/ REGUETON/ MERENGUE/ SAMBA/ SALSA)

#### AUTO EQ

Realizes the sound equalizer that is the most similar to the genre of which is included in song files.

#### POP CLASSIC JAZZ ROCK

This program lends an enthusiastic atmosphere to the sound, giving you the feeling you are at an actual rock pop, jazz or classic concert.

#### MP3 OPT

This function is optimized for compressible MP3/WMA file. It improves the bass sound.

#### XDSS ON

Reinforce the treble, bass and surround sound effect.

#### VIRTUAL

You can enjoy more virtual surround sound.

#### NORMAL

You can enjoy the sound without equalizer effect.

### Displaying file information (ID3 TAG)

You can check the ID3 TAG information of MP3 files only in discs by pressing **INFO** repeatedly.

### Listening to the radio

Make sure both for the FM and AM aerial to be stretched to the most.

	ON UNIT	ON REMOTE
<b>1 Select FM or AM</b>	<b>FUNC.</b>	<b>FUNCTION</b>
<b>2 Select a radio station</b>	<b> &lt;&lt; / &gt;&gt; </b>	<b>TUN- / +</b>
<b>3 To save a radio station</b> A preset number will show in the display.	-	<b>PROGRAM/MEMO.</b>
<b>4 Select the preset number</b> Up to 50 radio stations can be saved.	-	<b>FOLDER* PRESET</b>
<b>5 To confirm press</b>	-	<b>PROGRAM/MEMO.</b>
<b>6 To select a 'saved' station</b>	-	<b>FOLDER* PRESET</b>

### Listening to the radio - More you can do

#### Looking for radio stations automatically

- 1 Press and hold **TUN-/ TUN+** for more than a second.
- 2 The tuner will scan automatically and stop when it finds a radio station.

#### Deleting all the saved stations

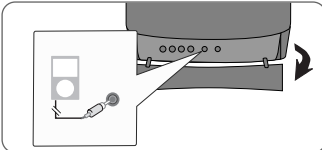
- 1 Press and hold **PROGRAM/MEMO.** for two seconds.  
- "ERASE ALL" will flash up on the display.
- 2 Press **PROGRAM/MEMO.** to erase all saved radio stations.

#### Improving poor FM reception

Press **▶/■** (MO./ST.) on the remote control. This will change the tuner from stereo to mono and usually improve the reception.

### Listening to music from your portable player

The unit can be used to play the music from many types of portable player.

	ON UNIT	ON REMOTE
<b>1 Connect the portable player to the PORT.IN (PORTABLE IN) connector of the unit.</b>	-	-
		
<b>2 Turn the power on.</b>	<b>⏻/⏿</b>	<b>⏻</b>
<b>3 Select the function.</b> Turn on the portable player and start it playing.	<b>FUNC.</b>	<b>FUNCTION</b>

### Using an USB device

You can enjoy media files saved on a USB device by connecting the USB device to the USB port of the unit. If you want to operate other function, see the "Listening to CDs" section.

	ON UNIT	ON REMOTE
<b>1 Open the USB port cover.</b>	-	-
<b>2 Connect the USB device to the USB port of the unit.</b>	-	-
<b>3 Select the USB function.</b>	<b>FUNC.</b>	<b>FUNCTION</b>
<b>4 Select a file you want to play.</b>	<b> &lt;&lt; / &gt;&gt; </b>	<b> &lt;&lt; / &gt;&gt; </b>
<b>5 Start your media playing.</b>	<b>▶ /   </b>	<b>▶ /   </b>
<b>6 To stop, press</b>	<b>■</b>	<b>■ ENTER</b>
<b>7 Before disconnecting, you have to change to any other function.</b>	<b>FUNC.</b>	<b>FUNCTION</b>

#### Compatible USB Devices

- MP3 Player : Flash type MP3 player.
- USB Flash Drive : Devices that support USB2.0 or USB1.1.
- The USB function of this unit does not support all USB devices.
- Devices which require additional program installation when you have connected it to a computer, are not supported.

#### Look out for the follows

- Do not extract the USB device while in operation.
- For a large capacity USB, it may take longer than a few minute to be searched
- To prevent data loss, back up all data.
- If you use a USB extension cable or USB hub, the USB device is not recognized.
- Using NTFS file system is not supported. (Only FAT(16/32) file system is supported.)
- This unit is not supported when the total number of files is 1000 or more.
- External HDD, Card readers, Locked devices, or hard type USB devices are not supported.
- USB port of the unit cannot be connected to PC.
- The unit can not be used as a storage device.

### Setting the Clock

	ON UNIT
<b>1 Turn the power on</b>	<b>⏻/ </b>
<b>2 Press for at least 2 seconds</b>	<b>CLOCK</b>
<b>3 Choose from either</b> AM 12:00 (for an AM and PM display) or 0:00 (for a 24 hour display)	<b> &lt;&lt; / &gt;&gt; </b>
<b>4 Confirm your selection</b>	<b>SET</b>
<b>5 Select the hours</b>	<b> &lt;&lt; / &gt;&gt; </b>
<b>6 Press</b>	<b>SET</b>
<b>7 Select the minutes</b>	<b> &lt;&lt; / &gt;&gt; </b>
<b>8 Press</b>	<b>SET</b>

#### Using your player as an alarm clock

- 1 Press and hold **TIMER** Each function, EX) TUNER, CD... flashes.
- 2 Press **SET** when the function you want to be woken by is showing.
- 3 Choose one of them by pressing **SET**.
- 4 "ON TIME" will be displayed. Then you can set the time you want the alarm to go on. Press **|<< / >>|** to change the hours and minutes and **SET** to save.
- 5 "OFF TIME" will be displayed. Then, you can set the time you want the function to stop. Press **|<< / >>|** to change the hours and minutes and press **SET** to save.
- 6 You will be shown the volume (VOL) you want to be woken by. Use **|<< / >>|** to change the volume and **SET** to save. Switch the system off. The clock icon "⌚" shows that the alarm is set.
- 7 When the system is turned off, you can check the time the alarm is set for by pressing **TIMER**. You can also turn the alarm on and off by pressing **TIMER**.

#### Setting the asleep time

- 1 Press **SLEEP** repeatedly to select delay time between 10 and 180 minutes, after the unit will be turned off.
- 2 To check the remaining time, press **SLEEP**.
- 3 Press **SLEEP** once while "SLEEP 10" is displayed, to deactivate sleep function.

## Playing the iPod

You can listen to music by connecting iPod to the player. Connect iPod to iPod dock on the upper part of the player.

	ON UNIT	ON REMOTE
1. Select the iPod function "IPOD" displays.	FUNC.	FUNCTION
2. Start the playing	▶/	▶/
3. Before disconnecting the iPod, change to any other function by pressing	FUNC.	FUNCTION
4. Remove iPod	-	-

### Playing the iPod - more you can do

#### Pausing or restarting an iPod

- 1 Press ▶/|| on either the player or the remote control during playback.
- 2 Press this button again to resume play.

#### Searching for a section within a track

Press and Hold ◀◀ / ▶▶ on either the unit or the remote control during playback.

#### Skipping to another track (files)

Press ◀◀ / ▶▶ on either the unit or the remote control.

#### Moving to a desired item

Press REPEAT/MENU on the remote control, you can move to the previous list.  
Press FOLDER.PRESET on the remote control, you can move to a desired item. Then, press ■ ENTER on the remote control. you can confirm it.

#### iPod message

"CHECK IPOD" - If the power of your iPod is insufficient or the iPod is misconnected or unknown device. Reset the iPod if the iPod is not operating normally (Refer to <http://www.apple.com/support/>)

#### Compatible iPod

- It works with all iPod models that have a dock connector.
- Compatibility with your iPod may vary depending on the type of your iPod.
- Depending on your iPod's software version, it may not be possible to control your iPod from the unit. We recommend installing the latest software version.

#### NOTES :

- It works with all iPod models that have a dock connector.
- Compatibility with your iPod may vary depending on the type of your iPod.
- Adjust the volume to a moderate level before you connect your iPod and this unit.
- You can enjoy clearer sound on charge off than on charge on. Press INFO on the remote control repeatedly, the display changes in the following order, CHARGE ON → CHARGE OFF.
- When the connection with iPod is not solid and the remaining battery is not enough, the message "ERROR" is displayed or iPod will not respond. Charge your iPod battery.

Recording to USB		
	ON UNIT	ON REMOTE
<b>1 Connect the USB device to the USB port of the unit.</b>	-	-
<b>2 Select a mode in which you want to record</b> Play a sound source first.	<b>FUNC.</b>	<b>FUNCTION</b>
<b>3 Start the recording</b>	<b>USB REC.</b>	<b>● REC</b>
<b>4 To stop recording, press</b>	<b>■</b>	<b>■ ENTER</b>

### Recording to USB - more you can do

#### Recording Music file in disc source to USB

##### One track recording

If the USB recording is started during playback of the CD, the one track/ file would be recording into the USB.

##### All tracks recording

If the recording button is pressed at the CD stop, all tracks/ files would be recording. The files in the sub-folders are not recorded during all track recording.

##### Program list recording

USB records after creating your own program if you want to record the track you want (AUDIO CD Only).

#### When you are recording, look out for the following

- When you stop recording, the file that has been recorded at that time will be stored. (Audio CD only)
- Do not remove the USB device or turn off the unit during USB recording. If not, an incomplete file may be made and not deleted on PC.
- If USB recording does not work, the message like "NO USB", "ERROR", "FULL", "NO REC" is displayed on the display window.
- Multi card reader device or External HDD can not be used for USB recording.
- A file is recorded by about 512 Mbyte when you record for a long term.
- You may not record more than 999 files.
- **It'll be stored as follows.**

AUDIO CD	MP3/ WMA	The other sources
<pre> CD_REC ├── TRK-001 ├── TRK-002 ├── ⋮ └── ⋮                     </pre>	<pre> FILE_REC ├── 001_ABC(File name) ├── 002_DEF(File name) ├── ⋮ └── ⋮                     </pre>	<pre> EXT_REC ├── AUD-001 ├── AUD-002 ├── ⋮ └── ⋮                     </pre>

The making of unauthorized copies of copy-protected material, including computer programs, files, broadcasts and sound recordings, may be an infringement of copyrights and constitute a criminal offense. This equipment should not be used for such purposes.

**Be responsible  
Respect copyrights**

Troubleshooting		
Symptom	Cause	Correction
<b>General</b>		
No power.	The power cord is not plugged in.	Plug in the power cord.
	Check whether electricity failed.	Check the condition by operating other electronic devices.
No sound.	Check whether you select right function.	Press <b>FUNC. (FUNCTION)</b> and check the selected function.
<b>CD</b>		
The unit does not start playback.	An unplayable disc is inserted.	Insert a playable disc.
	The disc is dirty.	Clean the disc.
<b>RADIO</b>		
Radio stations cannot be tuned in.	The antenna is positioned or connected poorly.	Connect the antenna securely.
<b>iPod</b>		
iPod does not work.	Check whether the player is connected to the unit correctly.	Connect it to the unit correctly.
	Check whether iPod is fully charged.	Charge the iPod. iPod is automatically charged when connected to the player.
<b>Remote control</b>		
The remote control does not work properly.	The remote control is too far from the unit.	Operate the remote control within about 16 ft (5 m).
	There is an obstacle in the path of the remote control and the unit.	Remove the obstacle.
	The battery in the remote control is exhausted.	Replace the battery with new one.

- "Made for iPod" means that an electronic accessory has been designed to connect specifically to iPod and has been certified by the developer to meet Apple performance standards.
- Apple is not responsible for the operation of this device or its compliance with safety and regulatory standards.

**Designs and specifications are subject to change without prior notice.**

Specifications	
<b>General</b>	
Power supply	Refer to the main label (Mexico only : 120 V ~ 60 Hz)
Power consumption	50 W
Net Weight	3.2 kg
External dimensions (WxHxD)	175 x 269 x 290 mm
Operating temperature	5°C 35 °C
Operating humidity	5% 85%
<b>Tuner</b>	
FM Tuning Range	87.5 - 108.0 MHz or, 87.50 - 108.00 MHz
AM Tuning Range	522 - 1620 kHz or 520 - 1710 kHz
<b>Amplifier</b>	
Output Power	80W + 80W
T.H.D	0.5%
Frequency Response	20 - 20000 Hz
Signal-to-noise ratio	75 dB
<b>CD</b>	
Frequency response	20 - 20000 Hz
Signal-to-noise ratio	75 dB
Dynamic range	75 dB
<b>Speakers (FAS164F)</b>	
Type	3Way 4Speaker
Impedance	4Ω
Rated Input Power	80 W
Max. Input Power	160 W
Net Dimensions (WxHxD)	132 x 320 x 300 mm
Net Weight (1EA)	4.1 kg
<b>USB</b>	
Version	1.1 or 2.0
BUS Power supply	DC 5V $\bar{\text{~}}$ 500mA



Atención al Cliente			
País	Teléfono	País	Teléfono
México	01-800-347-1919	Costa Rica	1-800-507-5454
Colombia	01-800-910683	Rep. Dominicana	00-800-751-5454
Chile	800-26-1054	Guatemala	1-801-422-5454
Ecuador	1-800-545454	El Salvador	00-800-6309
Venezuela	800-542477	Cuba	204-3333
Panamá	800-5454	Miami, USA	1-305-477-1882
Perú	0-800-1-2424	Bolivia, La Paz	800-100-545
Puerto Rico	001-800-510-9584	Nicaragua	001-800-507-0007
Argentina	0800-888-9454 (Capital y GBA) / 0810-555-5454 (Interior del país)		

 [www.lgservice.com](http://www.lgservice.com)

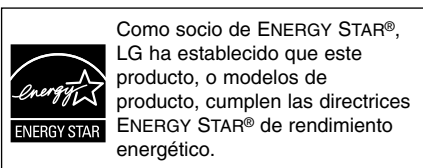
## SISTEMA MICRO COMPONENTE



ESPAÑOL

## MODELO: FA164 (FA164-A0P, FAS164F)

**Antes de utilizar su producto, lea atenta y detenidamente este manual de instrucciones y guárdelo para futuras referencias.**



ENERGY STAR® es una marca registrada de los EE.UU.



**iPod es una marca comercial de Apple Inc, registrada en los EE.UU. y en otros países.**

P/NO : MFL61543974

## Medidas de seguridad



**PRECAUCIÓN:** PARA REDUCIR EL RIESGO DE DESCARGA ELÉCTRICA, NO EXTRAIGA LA CUBIERTA (O PARTE POSTERIOR). NO HAY EN EL INTERIOR NINGUNA PARTE QUE PUEDA REEMPLAZAR EL USUARIO REFIERA EL MANTENIMIENTO A PERSONAL DE MANTENIMIENTO CUALIFICADO.



Este símbolo de un relámpago con cabeza de flecha dentro de un triángulo equilátero está destinado para alertar al usuario de la presencia de una potencia no aislada peligrosa dentro del producto que puede ser de la magnitud suficiente como para constituir un riesgo de choque eléctrico a las personas.

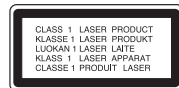


El signo de exclamación dentro de un triángulo equilátero está destinado para alertar al usuario de la presencia de instrucciones de mantenimiento y funcionamiento en la documentación que acompaña al producto.

**ADVERTENCIA:** EL EQUIPO NO DEBERÁ EXPONERSE A LA LLUVIA O A LA HUMEDAD Y PARA EVITAR EL RIESGO DE FUEGO O DESCARGA ELÉCTRICA.

**ADVERTENCIA:** No instale el equipo en un espacio cerrado, como en una estantería o mueble similar.

**PRECAUCIÓN :** Este producto emplea un sistema láser. Para asegurar un uso apropiado de este producto por favor, lea cuidadosamente este manual del propietario y consérvelo para futuras consultas. Si la unidad necesitara de mantenimiento, póngase en contacto con un centro de servicio autorizado. El uso de controles, ajustes, o la ejecución de procedimientos, a excepción de los aquí especificados, puede dar lugar a una exposición peligrosa a la radiación. Para prevenir la exposición directa al rayo láser, no intente abrir el cerramiento. Radiación visible del láser al abrirlo. **NO FIJE LA VISTA EN EL LÁSER O HAZ DE LUZ.**



**PRECAUCIÓN:** El aparato no debe exponerse al agua (goteo o salpicaduras) y no debe colocar sobre el aparato objetos llenos de líquidos, como floreros.

### PRECAUCIÓN referente al cable de alimentación

**La mayoría de los electrodomésticos recomiendan ser emplazados sobre un circuito dedicado;**

Es decir, un circuito de un sólo enchufe que acciona solamente este electrodoméstico y no tiene enchufes o circuitos derivados adicionales. Revise la página de especificaciones de este manual de usuario para asegurarse.

No sobrecargue los enchufes de pared. Los enchufes de pared sobrecargados, flojos o dañados, cables de extensión, cables de alimentación pelados, o el aislamiento dañado o agrietado del cable son elementos peligrosos. Cualquiera de estas condiciones podría dar lugar a descargas eléctricas o fuego. Examine periódicamente el cable de su electrodoméstico, y si su aspecto indica daños o deterioro, desenchúfelo, cese el uso del electrodoméstico, y haga cambiar el cable por una pieza de recambio exacta por un distribuidor de servicio autorizado.

Proteja el cable de alimentación de daños físicos o mecánicos y evite doblarlo, aplastarlo, pellizcarlo o pisarlo con una puerta o caminar sobre él. Preste especial atención a los enchufes, tomas de pared, y al punto donde el cable sale del electrodoméstico.

Para desconectar la alimentación principal, retire el cable principal de alimentación. Durante la instalación del producto, asegúrese de que el enchufe sea fácilmente accesible.

## Contenido

Configuración	4
Unidad principal	5
Mando a distancia	6
Escuchar CDs	7
Escuchar la radio	8
Escuchar música de su lector portátil	8
Uso de un dispositivo USB	9
Configuración del reloj	9
Reproducir música desde el iPod	10
Grabación a USB	11
Solucion de averias	12
Especificaciones	12

### Medidas de precaución para el uso de los botones táctiles

- Use el botón táctil con manos limpias y secas.
  - En entornos húmedos, elimine cualquier resto de humedad de los botones táctiles antes de su usación.
- No ejerza pulsos fuertes sobre los botones táctiles al usarlos.
  - Si ejerce una fuerza excesiva, puede dañar el sensor de los botones táctiles.
- Toque el botón que desea usar para ejecutar correctamente la función.
- Asegúrese de no situar ningún material conductor, como un objeto metálico, sobre los botones táctiles. Esto podría ocasionar averías.

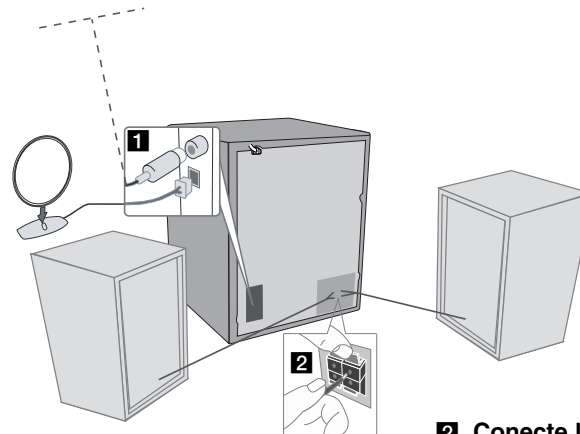
## Configuración

### **1 Fije la antena de cuadro AM a su soporte (opcional)**

Conecte la antena de cuadro AM al reproductor.

#### **Conecte la antena FM**

La recepción será óptima cuando los dos extremos libres de la antena estén en línea recta y horizontal.



### **2 Conecte los cables del altavoz al reproductor**

Los cables del altavoz izquierdo se conectan al terminal marcado con una "L" (izquierda) + (más) y - (menos). Los cables del altavoz derecho se conectan al terminal marcado con una "R" (derecha) + (más) y - (menos).

Para conectar el cable al reproductor, pulse cada una de las cuatro pestañas cuadradas de plástico situadas en la parte trasera del reproductor. El conector se abrirá para que pueda insertar el cable.

### **3 Conecte el enchufe a una toma de corriente**

## Unidad principal

### SUPERIOR

#### FUNC.

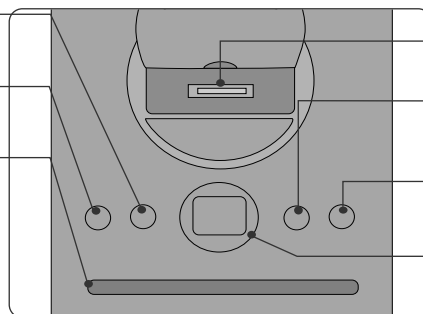
(Función) Escoge la función.

#### ⏻/⏻ (Encender)

Enciende y apaga la unidad.

#### Ranura para discos

- No fuerce un disco en la ranura de CDs.
- No empuje ni tire de un disco cuando está fuera.
- Pulse ▲ de nuevo para volver a introducir el disco una vez sacado.
- **Introduzca el CD en la ranura con la etiqueta hacia usted.**



Soporte para iPod

**USB REC.**  
Grabación a USB.

▲  
Expulsa o inserta el CD de la carga por ranura.

Puerto USB

### FRONTAL



Detener

⏮ / ⏭

Explorar/ Sintonizar/ Buscar

▶/⏻

Reproducir / Pausa

**VOL +/-**

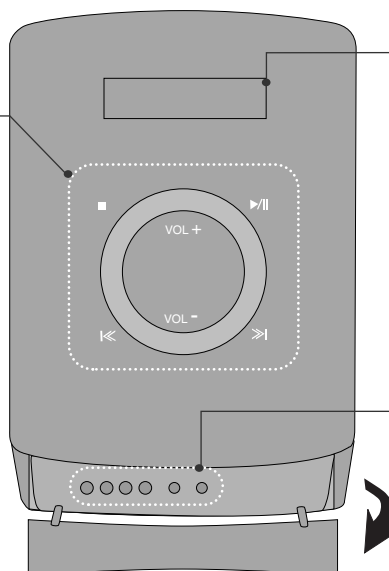
Control de volumen

#### Modo ahorro energético

Puede configurar la unidad en modo económico para ahorrar energía. Una vez encendido, mantenga pulsado el botón ⏻ unos 3 segundos.

- La ventana de visualización no mostrará nada cuando la unidad esté apagada.

Para cancelar, pulse ⏻, CLOCK (reloj), TIMER (temporizador) o **EQ/DEMO**.



Ventana de visualización

#### EQ/ DEMO

Puede escoger efectos de sonido programados. Pulse **DEMO** mientras la unidad está apagada para mostrar la función en la ventana de visualización. Para cancelarla, vuelva a pulsar ⏻ ó **DEMO**.

#### CLOCK

(Examine la sección "Ajuste del reloj")

#### TIMER

(Examine la sección "Uso de su reproductor como reloj despertador")

#### SET

Confirma los ajustes.

#### PORTABLE IN

Para conectar un dispositivo portátil y disfrutar de su sonido a través de los altavoces del sistema.

#### PHONES

Toma de auriculares

## Mando a distancia

	Encender/apagar equipo MODO DE AHORRO DE ENERGÍA
<b>SLEEP</b>	<b>Duerma mientras escucha su unidad.</b> Pulse <b>SLEEP</b> una o más veces para escoger el período de retardo entre 10 y 180 minutos. ( <b>Dimmer: Atenuar la luz de visualización</b> )
<b>INFO</b>	<b>Consulte información sobre su música.</b>

<b>REPEAT/MENU</b>	Escuche sus pistas una y otra vez o de forma aleatoria.
	<b>Selecciona la emisora de radio. Busca una sección en una pista. Salta el avance o rebobinado rápido.</b>
	<b>Inicia o pausa la reproducción</b>
	<b>Detiene la reproducción o grabación</b>

<b>REC</b>	<b>Botón de grabación.</b>
------------	----------------------------

<b>F (FUNCTION)</b>	<b>Cambia las funciones.</b>
<b>EQ</b>	<b>Ajuste de calidad del sonido</b> Puede escoger efectos de sonido.
<b>LG EQ</b>	<b>LG EQ</b> le permite seleccionar un efecto de ecualizador natural o de especialización local.

<b>FOLDER • PRESET</b>	<b>Buscar una carpeta con archivos MP3/WMA</b> Cuando un CD que contiene archivos MP3/WMA en varias carpetas esté en reproducción, pulse <b>FOLDER•PRESET</b> para seleccionar la carpeta que desea reproducir. <b>Seleccione un 'número de presintonía' para una emisora de radio.</b>
<b>VOL +/-</b>	Controle el nivel de volumen durante el uso de cualquier función.
<b>PROGRAM / MEMO.</b>	<b>Almacenamiento de emisoras de radio</b> Si tiene emisoras de radio guardadas mediante <b>PROGRAM/MEMO.</b> , podrá desplazarse por ellas y escoger una. <b>Le permite escuchar las pistas en cualquier orden</b>
	<b>Detener temporalmente el sonido</b> Pulse de nuevo el botón para reactivar la función de sonido.


**Introduzca la batería de 1,5 Vcc en el control remoto**  
Asegúrese de que los polos + (positivo) y - (negativo) de la pila coinciden con los del mando a distancia. (tamaño AAA)

## Escuchar CDs

Esta unidad puede leer CDs de audio y CDs con archivos en MP3/ WMA.

	EN LA UNIDAD	Mando a distancia
<b>1. Insertar el CD</b>	-	-
<b>2. Seleccionar la función CD</b> en la pantalla se mostrará el número total de pistas (archivos).	<b>FUNC.</b>	<b>FUNCTION</b>
<b>3. Iniciar la reproducción del CD</b>	<b>▶/  </b>	<b>▶/  </b>
<b>4. Para detener la reproducción del CD</b>	<b>■</b>	<b>■ ENTER</b>

## Escuchar CDs: qué más puede hacer

### Pausa o reinicio de un CD

- 1 Pulse **▶/||** en la unidad o **▶/||** en el control remoto durante la lectura.
- 2 Pulse de nuevo este botón para reanudar la lectura.

### Búsqueda de una sección dentro de una pista

Mantenga pulsando **◀◀ / >>** en la unidad o **◀◀/▶▶** en el control remoto durante la lectura y suéltelo en el punto que desea escuchar.

### Salto a otra pista (archivos)

Presione **◀◀ / >>** en la unidad o **◀◀/▶▶** en el mando a distancia cuando la reproducción esté detenida.

### Creación de sus propias listas de lectura

Puede leer hasta 30 pistas de un CD en orden.

- 1 Introduzca un CD y espere a que se inicie su lectura.
- 2 Pulse **PROGRAM/MEMO.** en el control remoto en estado de parada.
- 3 Pulse **◀◀ / >>** en la unidad o **◀◀/▶▶** en el control remoto para escoger una pista.
- 4 Pulse de nuevo **PROGRAM/MEMO.** para guardar y escoger la siguiente pista.
- 5 Presione **▶/||** en la unidad o **▶/||** en el mando a distancia para reproducir los archivos de música programados.
- 6 Para borrar la selección, pulse **■** (o **■ ENTER**), **PROGRAM/MEMO.** y, a continuación, **■** (o **■ ENTER**).

### Escuchar sus pistas (archivos) una y otra vez o de forma aleatoria

- 1 Presione **REPEAT/MENU** en el mando a distancia reiteradamente. El archivo (pista) actual se reproducirá varias veces o de forma aleatoria.

- 2 Para volver a la reproducción normal, pulse **REPEAT/MENU** varias veces.

## Acerca de MP3/WMA

**La compatibilidad de los discos MP3/WMA con esta unidad está limitada como sigue:**

- Frecuencia de muestreo : 32 - 48 kb/s (MP3), 32 - 48 kb/s (WMA)
- Velocidad de los bits : 32 - 320 kb/s (MP3), 40 - 320 kb/s (WMA)
- El formato físico del CD-R debe cumplir con "ISO 9 660".
- Si graba archivos MP3/WMA usando un software que no pueda crear un SISTEMA DE ARCHIVOS, por ejemplo "Direct-CD" etc., no será posible reproducir los archivos MP3. Le recomendamos que use "Easy-CD Creator", que sí crea un sistema de archivos tipo ISO 9 660.
- No utilice caracteres especiales como "/" : \* ? " < >" etc.
- La unidad admite un máximo de 99 carpetas y 999 archivos.

## Disfrutar de un campo de sonido preprogramado

Este sistema tiene un número de efectos de sonido surround predefinidos. Puede seleccionar el efecto de sonido que desee con el botón **EQ/ LG EQ**. Los elementos mostrados para el Ecuadorizador podrían ser diferentes dependiendo de las fuentes y efectos de sonido.

<b>NATURAL</b>	Javier disfrutar de un sonido agradable y natural.
<b>EFFECTO SONORO REGIONALIZADO</b>	Efecto sonoro optimizado regionalmente. (DANGDUT/ ARABIC/ PERSIAN/INDIA/ REGUETON/ MERENGUE/ SAMBA/ SALSA)
<b>AUTO EQ</b>	Activa el ecualizador de sonido más similar al género en el que se incluyen los archivos de canciones.
<b>POP CLASSIC JAZZ ROCK</b>	Este programa ofrece una atmósfera sonora emocionante, proporcionándole la sensación de estar en un concierto de rock, pop, jazz o clásico.
<b>MP3 OPT</b>	Esta función está optimizada para archivos comprimidos en MP3. Mejora los graves.
<b>XDSS ON VIRTUAL</b>	Refuerza el efecto de sonido de agudos, graves y surround. Refuerza el efecto de los agudos, bajos y el sonido envolvente.
<b>NORMAL</b>	Puede disfrutar del sonido sin efecto del ecualizador.

## Visualización de información del archivo (ETIQUETA ID3)

Puede chequear la información de la ETIQUETA ID3 de los archivos MP3, sólo en discos, pulsando repetidamente **INFO**.

### Escuchar la radio

Asegúrese de que tanto la antena de FM como la de AM estén desplegadas totalmente.

	EN LA UNIDAD	Mando a distancia
<b>1 Seleccionar FM o AM</b>	<b>FUNC.</b>	<b>FUNCTION</b>
<b>2 Seleccionar la emisora de radio</b>	<b>I&lt;&lt; / &gt;&gt;I</b>	<b>TUN- / +</b>
<b>3 Para “guardar” una emisora de radio:</b> se mostrará un número predeterminado en la pantalla.	-	<b>PROGRAM/MEMO.</b>
<b>4 Seleccionar el número de presintonía:</b> se pueden guardar hasta 50 emisoras de radio.	-	<b>FOLDER• PRESET</b>
<b>5 Para confirmar pulse</b>	-	<b>PROGRAM/MEMO.</b>
<b>6 Para escoger una emisora ‘guardada’</b>	-	<b>FOLDER• PRESET</b>

### Escuchar la radio - qué más puede hacer

#### Búsqueda automática de emisoras de radio

- 1 Pulse y mantenga pulsados **TUN-/ TUN+** durante más de un segundo.
- 2 El sintonizador buscará automáticamente y se detendrá al encontrar una emisora.

#### Eliminación de todas las emisoras guardadas

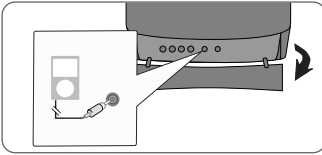
- 1 Pulse y mantenga pulsado **PROGRAM/MEMO.** durante dos segundos.  
- “ERASE ALL” aparecerá de forma intermitente en la pantalla.
- 2 Pulse **PROGRAM/MEMO.** para borrar todas las emisoras de radio almacenadas.

#### Mejorar una mala recepción de FM

Pulse **▶/■** (MO./ST.) en el mando a distancia. Esto cambiará el sintonizador de estéreo a mono, y por lo general mejorará la recepción.

### Escuchar música de su lector portátil

El equipo puede usarse para leer música a través de multitud de lectores portátiles.

	EN LA UNIDAD	Mando a distancia
<b>1 Conecte el lector portátil a la toma <b>PORT.IN (PORTABLE IN)</b> de la unidad.</b>	-	-
		
<b>2 Prenda el equipo.</b>	<b>⏻/■</b>	<b>⏻</b>
<b>3 Escoja la función.</b> Prenda el lector portátil e inicie la lectura.	<b>FUNC.</b>	<b>FUNCTION</b>

### Uso de un dispositivo USB

Puede disfrutar de archivos multimedia guardados en un dispositivo USB conectándolo en el puerto USB de la unidad. Si desea usar otras funciones, consulte la sección "Escuchar discos CD".

	EN LA UNIDAD	Mando a distancia
<b>1 Abrir la cubierta del puerto USB.</b>	-	-
<b>2 Conecte el dispositivo USB al puerto USB de la unidad.</b>	-	-
<b>3 Seleccione la función USB.</b>	<b>FUNC.</b>	<b>FUNCTION</b>
<b>4 Seleccione un archivo que desee reproducir.</b>	<b> &lt;&lt; / &gt;&gt; </b>	<b> &lt;&lt; / &gt;&gt; </b>
<b>5 Inicie la reproducción.</b>	<b>▶ /   </b>	<b>▶ /   </b>
<b>6 Para detenerla, pulse</b>	<b>■</b>	<b>■ ENTER</b>
<b>7 Antes de desconectarlo, deberá cambiar a otra función.</b>	<b>FUNC.</b>	<b>FUNCTION</b>

#### Dispositivos USB compatibles

- Reproductor MP3: Reproductor MP3 de tipo Flash.
- Unidad USB Flash: Dispositivos que admiten USB 2.0 o USB 1.1.
- La función USB podría no estar disponible dependiendo del dispositivo.
- No admite dispositivos que requieran instalación adicional de software al conectarlo a un ordenador.

#### Compruebe lo siguiente.

- No retire el dispositivo USB mientras esté en funcionamiento.
- Los dispositivos USB de gran capacidad podrían tardar más de unos minutos en examinarse.
- Para prevenir la pérdida de datos, haga una copia de seguridad.
- Si usa un cable de extensión o un concentrador USB, el dispositivo USB no podrá ser reconocido.
- No se admite el sistema de archivos NTFS. Sólo se admite el sistema de archivos FAT (16/ 32).
- Esta unidad no se admitirá cuando el número total de archivos es 1 000 o más.
- No se admiten discos duros externos, dispositivos bloqueados o discos duros USB.
- El puerto USB de la unidad no puede conectarse a una computadora.
- La unidad no puede usarse como dispositivo de almacenamiento.

### Configuración del reloj

	EN LA UNIDAD
<b>1 Encender el dispositivo</b>	<b>⏻/⏻</b>
<b>2 Pulse durante al menos 2 segundos</b>	<b>CLOCK</b>
<b>3 Seleccione entre: AM 12:00 (para el formato a.m. y p.m.) ó 0:00 (para el formato 24 horas).</b>	<b> &lt;&lt; / &gt;&gt; </b>
<b>4 Confirme la selección</b>	<b>SET</b>
<b>5 Seleccione las horas</b>	<b> &lt;&lt; / &gt;&gt; </b>
<b>6 Pulse</b>	<b>SET</b>
<b>7 Seleccione los minutos</b>	<b> &lt;&lt; / &gt;&gt; </b>
<b>8 Pulse</b>	<b>SET</b>

#### Utilizar su reproductor como despertador

- 1 Mantenga pulsado **TIMER**. Parpadeará cada función, ej.: TUNER, CD, ...
- 2 Pulse **SET** cuando aparezca la función con la que desee despertarse.
- 3 Escoja una de ellas pulsando **SET**.
- 4 Se mostrará el mensaje "ON TIME". Después podrá ajustar la hora a la que desea que se active la alarma. Pulse **|<< / >>|** para cambiar la hora y los minutos y **SET** para guardar su selección.
- 5 Se visualizará el mensaje "OFF TIME". Deberá establecer aquí la hora a la que desea que se desactive la alarma. Pulse **|<< / >>|** para cambiar la hora y los minutos y **SET** para guardar su selección.
- 6 Se le mostrará el volumen (VOL) con el que desea despertarse. Use **|<< / >>|** para cambiar el volumen y **SET** para guardar su selección. Apague el sistema. El icono del reloj "⌚" indica que la alarma está establecida.
- 7 Cuando el sistema esté apagado, podrá examinar la hora de ajuste de la alarma pulsando **TIMER**. También puede activar o desactivar la alarma pulsando **TIMER**.

#### Ajuste del período de desconexión automática

- 1 Pulse repetidamente **SLEEP** para escoger el período comprendido entre 10 y 180 minutos, tras el que la unidad se apagará.
- 2 Para chequear el tiempo restante, pulse **SLEEP**.
- 3 Pulse una vez **SLEEP** mientras de muestra "**SLEEP 10**", para desactivar la función de desconexión automática.

## Reproducir música desde el iPod

Puede escuchar música conectando el iPod al reproductor.  
Conecte el iPod a iPod dock en la parte superior del reproductor.

	EN LA UNIDAD	Mando a distancia
<b>1. Seleccionar la función iPod</b> Se muestra "IPOD".	<b>FUNC.</b>	<b>FUNCTION</b>
<b>2. Iniciar la reproducción</b>	<b>▶/  </b>	<b>▶/  </b>
<b>3. Antes de desconectar el iPod, cambiar a otra función pulsando</b>	<b>FUNC.</b>	<b>FUNCTION</b>
<b>4. Retirar el iPod</b>	-	-

## Reproducir música desde el iPod - qué más puede hacer

### Pausar o reiniciar un iPod

- 1 Presione **▶/||** en el reproductor o en el mando a distancia durante la reproducción.
- 2 Pulse de nuevo este botón para reanudar la lectura.

### Buscar una sección en una pista

Pulse y mantenga pulsado **◀◀ / >>** en la unidad o en el mando a distancia durante la reproducción.

### Ir a otra pista (archivo)

Pulse **◀◀ / >>** en la unidad o en el mando a distancia.

### Desplazar al elemento deseado

Pulse **REPEAT/MENU** en el mando a distancia para volver a la lista anterior.  
Pulse **FOLDER•PRESET** en el mando a distancia para ir al elemento deseado.  
A continuación, pulse **■ ENTER** en el mando a distancia para confirmarlo.

## Mensaje del iPod

“**CHECK IPOD**” (Comprobar iPod) - Si el nivel de energía de su iPod es insuficiente, o el iPod no está conectado correctamente o bien no se reconoce el dispositivo. Restablezca el iPod si dicho dispositivo no funciona con normalidad (Consulte <http://www.apple.com/support/>)

## iPod compatibles

- Funciona con todos los modelos de iPod que cuenten con un conector para la base.
- La compatibilidad con su iPod puede variar en función del tipo de dispositivo.
- Tal vez no sea posible controlar el iPod desde la unidad, dependiendo de la versión de software de su iPod. Se recomienda instalar la versión de software más reciente.

## NOTAS:

- Funciona con todos los modelos de iPod que tienen un conector dock.
- La compatibilidad con su iPod puede variar dependiendo del tipo de unidad que posea.
- Ajuste el volumen en un nivel moderado antes de conectar el iPod a esta unidad.
- El sonido es más claro en descarga que en carga. Pulse **INFO** varias veces en el mando a distancia; la pantalla cambiará en el siguiente orden: CHARGE ON (Activación de carga) → CHARGE OFF (Desactivación de carga).
- Cuando la conexión con el iPod no es correcta y la batería restante no es suficiente, aparece el mensaje “ERROR” o bien el iPod no responde. Cargue la batería del iPod.

Grabación a USB		
	EN LA UNIDAD	Mando a distancia
<b>1 Conectar el dispositivo USB al puerto USB de la unidad</b>	-	-
<b>2 Seleccione un modo en el que desee grabar:</b> Reproduzca primero una fuente de sonido	<b>FUNC.</b>	<b>FUNCTION</b>
<b>3 Inicie la grabación</b>	<b>USB REC.</b>	<b>● REC</b>
<b>4 Para detener la grabación, pulse</b>	<b>■</b>	<b>■ ENTER</b>

### Grabación a USB - qué más puede hacer

#### Grabación de un archivo de música de una fuente de disco en un USB

##### Grabación de una pista

Si la grabación USB se inicia durante la reproducción del CD, la pista/archivo se grabará en el dispositivo USB.

##### Grabación de todas las pistas

En una grabación USB con el CD en estado de parada, pueden grabarse todas las pistas /archivos. Los archivos que se encuentren en las subcarpetas no se grabarán durante la grabación de todas las pistas.

##### Grabación de lista de programas

Grabaciones en dispositivo USB tras crear su propio programa si desea grabar una pista (sólo en CD de audio).

#### Durante la grabación, compruebe lo siguiente

- Cuando detenga la grabación, se almacenará el archivo que se ha grabado en ese momento. (sólo en CD de audio)
- No retire el dispositivo USB ni apague la unidad durante la grabación USB. Si lo hace, podría crearse un archivo incompleto y no se eliminaría en el PC.
- Si la grabación USB no funciona, se mostrará en la pantalla un mensaje como "NO USB", "ERROR", "FULL" o "NO REC".
- No pueden usarse lectores multitarjeta ni discos duros externos para la función de grabación USB.
- Cuando se graba durante un largo período, se crea un archivo de unos 512 Mb
- No podrá grabar más de 999 archivos.
- **Se guardará de la forma siguiente.**

AUDIO CD	MP3/ WMA	Las otras fuentes
<pre> CD_REC ├── TRK-001 ├── TRK-002 ├── ⋮ └── ⋮                     </pre>	<pre> FILE_REC ├── 001_ABC(Nombre del archivo) ├── 002_DEF(Nombre del archivo) ├── ⋮ └── ⋮                     </pre>	<pre> EXT_REC ├── AUD-001 ├── AUD-002 ├── ⋮ └── ⋮                     </pre>

La realización de copias no autorizadas de material con protección anti copia, (incluidos programas de ordenador, archivos, emisiones o grabaciones de sonido), podría ser un incumplimiento de los derechos de autor y constituir un delito.  
Este equipo no debería utilizarse para dichos fines.  
**Sea responsable**  
**Respete los derechos de autor**

Solucion de averías		
Problema	Causa	Solución
<b>General</b>		
No hay alimentación.	El cable de alimentación no está conectado.	Enchufe el cable de alimentación.
	Compruebe si falló la red eléctrica.	Compruebe el estado accionando otros dispositivos electrónicos.
No hay sonido.	Compruebe si seleccionó la función correcta.	Pulse <b>FUNC. (FUNCTION)</b> y compruebe la función escogida.
<b>CD</b>		
La unidad no comienza la reproducción.	Ha insertado un disco no reproducible.	Inserte un disco reproducible.
	El disco está sucio.	Limpie el disco.
<b>Sintonizador</b>		
No se sintoniza ninguna emisora de radio.	La antena está mal orientada o colocada.	Conecte la antena correctamente.
<b>iPod</b>		
El iPod no funciona.	Compruebe si el reproductor se conectó correctamente a la unidad.	Conéctelo a la unidad correctamente.
	Compruebe si el iPod está totalmente cargado.	Cargue el iPod. El iPod se carga de forma automática cuando se conecta al reproductor.
<b>Mando a distancia</b>		
El mando a distancia no funciona correctamente.	El mando a distancia está demasiado lejos de unidad.	Use el control remoto en un radio de acción de 16 pies (5 m)
	Hay un obstáculo en el camino entre el mando a distancia y la unidad.	Elimine el obstáculo.
	Las pilas en el mando a distancia están agotadas.	Cambie las pilas antiguas por otras nuevas.

- "Hecho para iPod" significa que un accesorio ha sido diseñado específicamente para conectar un dispositivo iPod y que ha sido certificado por el desarrollador para cumplir los estándares de rendimiento de Apple.
- Apple no se hace responsable del funcionamiento de este dispositivo ni de su cumplimiento con los estándares de seguridad y reguladores.

**El diseño y las especificaciones están sujetos a cambios sin previo aviso.**

## Especificaciones

### General

Fuente de alimentación	Consultar la etiqueta principal. (Para Mexico : 120 V ~ 60 Hz)
Consumo eléctrico	50 W
Peso neto	3,2 kg
Dimensiones externas (A x A x P)	175 x 269 x 290 mm
Temperatura de funcionamiento	5°C 35 °C
Humedad de funcionamiento	5% 85%

### Sintonizador

Rango de sintonización FM	87,5 - 108,0 MHz o, 87,50 - 108,00 MHz
Rango de sintonización AM	522 - 1 620 kHz o 520 - 1 710 kHz

### Amplificador

Potencia de salida	80W + 80W
T.H.D	0,5%
Respuesta en frecuencia	20 - 20 000 Hz
Relación señal-ruido	75 dB

### CD

Respuesta de frecuencia	20 - 20 000 Hz
Relación señal-ruido	75 dB
Dynamic range	75 dB

### Altavoces (FAS164F)

Tipo	4 altoparlantes de 3 vías
Impedancia	4Ω
Potencia de entrada	80 W
Máxima potencia de entrada	160 W
Dimensiones netas (AxAxP)	132 x 320 x 300 mm
Peso neto (1EA)	4,1 kg

### USB

Versión	1,1 o 2,0
Fuente de alimentación del bus	5Vcc ± 500mA



### Atención al Cliente

País	Teléfono	País	Teléfono
México	01-800-347-1919	Costa Rica	1-800-507-5454
Colombia	01-8000-910683	Rep. Dominicana	00-800-751-5454
Chile	800-26-1054	Guatemala	1-801-422-5454
Ecuador	1-800-545454	El Salvador	00-800-4309
Venezuela	800-5424477	Cuba	204-5333
Panamá	800-5454	Miami, USA	1-305-477-1882
Perú	0-800-1-2424	Bolivia, La Paz	800-100-545
Puerto Rico	001-800-510-9564	Nicaragua	001-800-507-0007
Argentina	0800-888-5454 (Capital y GBA) / 0810-555-5454 (Interior del país)		



www.lgservice.com