

Model	VCĚ Ĥ ĞP		
Language	English +P^à!^,		
Page	Á ì	Color(cover/body)	1/1
Material	Weight 80g	Size(W*H)	150×220(mm)
Date	201F.€ .1F	Designer	ÁĈ[} * ÁĚ
Part No.	MFL6699050I	Description	Owners Manual

Chage Record

No.	Change content	ECO No.	Date	Designer	Confirm
①					
②					
③					
④					
⑤					
⑥					
⑦					
⑧					
⑨					



LG

Life's Good

OWNER'S MANUAL

NEW TYPE CYCLONE VACUUM CLEANER

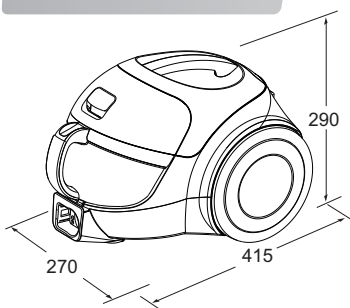
This information contains important instructions for the safe use and maintenance of the vacuum cleaner. Especially, please read all of the information on page 4, 5 for your safety. Please keep this manual in an easily accessible place and refer to it anytime.

VC-5382NH

Table of contents

Specifications	3
IMPORTANT SAFETY INSTRUCTIONS	4~5
How to use	6
Assembling vacuum cleaner	6~10
Operating vacuum cleaner	11~12
Using carpet and floor nozzle	13~14
Using All Floor nozzle ,mini turbine nozzle and pet nozzle	15
Using accessory nozzles	16~17
Emptying dust tank	18
Cleaning dust tank	19
Cleaning dust separator	20
Cleaning exhaust filter	21
What to do if your vacuum cleaner does not work?	22
What to do when suction performance decreases?	22

Specifications



Dimension: 415(mm) x 270(mm) x290(mm)=L x W x H

IMPORTANT SAFETY INSTRUCTIONS

Read and follow all instructions before using your vacuum cleaner to prevent the risk of fire, electric shock, personal injury, or damage when using the vacuum cleaner. This guide does not cover all possible conditions that may occur. Always contact your service agent or manufacturer about problems that you do not understand. This appliance complies with the following EC Directives: -2006/95/EC Low Voltage Directive-2004/108/EC EMC Directive



This is the safety alert symbol.

This symbol alerts you to potential hazards that can kill or hurt you and others.

All safety messages will follow the safety alert symbol and either the word "WARNING" or "CAUTION."

These words mean:



WARNING

This symbol will alert you to hazards or unsafe practices which could cause serious bodily harm or death.



CAUTION

This symbol will alert you to hazards or unsafe practices which could cause bodily injury or property damage.



WARNING

- **Disconnect electrical supply before servicing or cleaning the unit or when cleaner is not in use.**
Failure to do so could result in electrical shock or personal injury.
- **Do not use vacuum cleaner to pick up anything that is burning or smoking such as cigarettes, or hot ashes.**
Doing so could result in death, fire or electrical shock.
- **Do not vacuum flammable or explosive substances such as gasoline, benzene, thinners, propane (liquids or gases).**
The fumes from these substances can create a fire hazard or explosion. Doing so could result in death or personal injury.
- **Do not handle plug or vacuum cleaner with wet hands.**
Doing so could result in death or electrical shock.
- **Do not unplug by pulling on cord.**
Doing so could result in product damage or electrical shock. To unplug, grasp the plug, not the cord.
- **Keep hair, loose clothing, fingers, and all parts of the body away from openings and moving parts.**
Failure to do so could result in electrical shock or personal injury.
- **Do not pull or carry by cord, use cord as a handle, close a door on cord, or pull cord around sharp edges or corners. Do not run vacuum cleaner over cord. Keep cord away from heated surfaces.**
Failure to do so could result in electrical shock or personal injury or fire or product damage.
- **Do not allow to be used as toy. Close attention is necessary when used by or near children.**
Personal injury or product damage could result.
- **Do not use the vacuum cleaner if the power cord or plug is damaged or faulty.**
If the power cord is damaged, it must be replaced by an approved LG Electronics Service Agent to avoid a hazard.
- **Do not use vacuum cleaner if it has been under water.**
Personal injury or product damage could result. In these cases, contact LG Electronics Service Agent to avoid hazard.
- **Do not continue to vacuum if any parts appear missing or damaged.**
Personal injury or product damage could result. In these cases, contact LG Electronics Service Agent to avoid hazard.
- **Do not use an extension cord with this vacuum cleaner**
Fire hazard or product damage could result.
- **Using proper voltage.**
Using improper voltage may result in damage to the motor and possible injury to the user. Proper voltage is listed on the bottom of vacuum cleaner.
- **Turn off all controls before unplugging.**
Failure to do so could result in electrical shock or personal injury.
- **Do not change the plug in any way.**
Failure to do so could result in electrical shock or personal injury or product damage. Doing so result in death. If plug does not fit, contact a qualified electrician to install the proper outlet.
- **Repairs to electrical appliances may only be performed by qualified service engineers.**
Improper repairs may lead to serious hazards for the user.
- **Do not plug in if control knob is not in OFF position.**
Personal injury or product damage could result. (Depending on model)
- **Keep children away and beware of obstructions when rewinding the cord to prevent personal injury**
The cord moves rapidly when rewinding. (Depending on model)
- **The hose contains electrical wires. Do not use it if it is damaged, cut or punctured.**
Failure to do so could result in death, or electrical shock. (Depending on model)

IMPORTANT SAFETY INSTRUCTIONS

CAUTION

- **Do not put any objects into openings.**
Failure to do so could result in product damage.
- **Do not use with any opening blocked: keep free of dust, lint, hair, and anything that may reduce air flow.**
Failure to do so could result in product damage.
- **Do not use vacuum cleaner without dust tank and/or filters in place.**
Failure to do so could result in product damage.
- **Do not use vacuum cleaner to pick up sharp hard objects, small toys, pins, paper clips, etc.**
They may damage the cleaner or dust tank .
- **Store the vacuum cleaner indoors.**
Put the vacuum cleaner away after use to prevent tripping over it.
- **This appliance is not intended for use by persons (including children) with reduced physical, sensory or mental capabilities, or lack of experience and knowledge, unless they have been given supervision or instruction concerning use of the appliance by a person responsible for their safety.**
Children should be supervised to ensure that they do not play with the appliance.
- **Only use parts produced or recommended by LG Electronics Service Agents.**
Failure to do so could result in product damage.
- **Use only as described in this manual. Use only with LG recommended or approved attachments and accessories.**
Failure to do so could result in personal injury or product damage.
- **To avoid personal injury and to prevent the machine from falling when cleaning stairs, always place it at the bottom of stairs.**
Failure to do so could result in personal injury or product damage.
- **Use accessory nozzles in sofa mode.**
Failure to do so could result in product damage.
- **Make sure the filters (exhaust filter and motor safety filter) are completely dry before replacing in the machine.**
Failure to do so could result in product damage.
- **Do not dry the filter in an oven or microwave.**
Failure to do so could result in fire hazard.
- **Do not dry the filter in a clothes dryer.**
Failure to do so could result in fire hazard.
- **Do not dry near an open flame.**
Failure to do so could result in fire hazard.
- **Always clean the dust tank after vacuuming carpet cleaners or fresheners, powders and fine dust.**
These products clog the filters, reduce airflow and can cause damage to the cleaner. Failure to clean the dust tank could cause permanent damage to the cleaner. (Depending on model)
- **Don't grasp the tank handle when you are moving the vacuum cleaner.**
The vacuum cleaner's body may fall when separating tank and body. Personal injury or product damage could result. **You should grasp the carrier handle** when you are moving the vacuum cleaner. (Depending on model)
- **If after emptying the dust tank the indicator light is on (red), clean the dust tank.**
Failure to do so could result in product damage. (Depending on model)

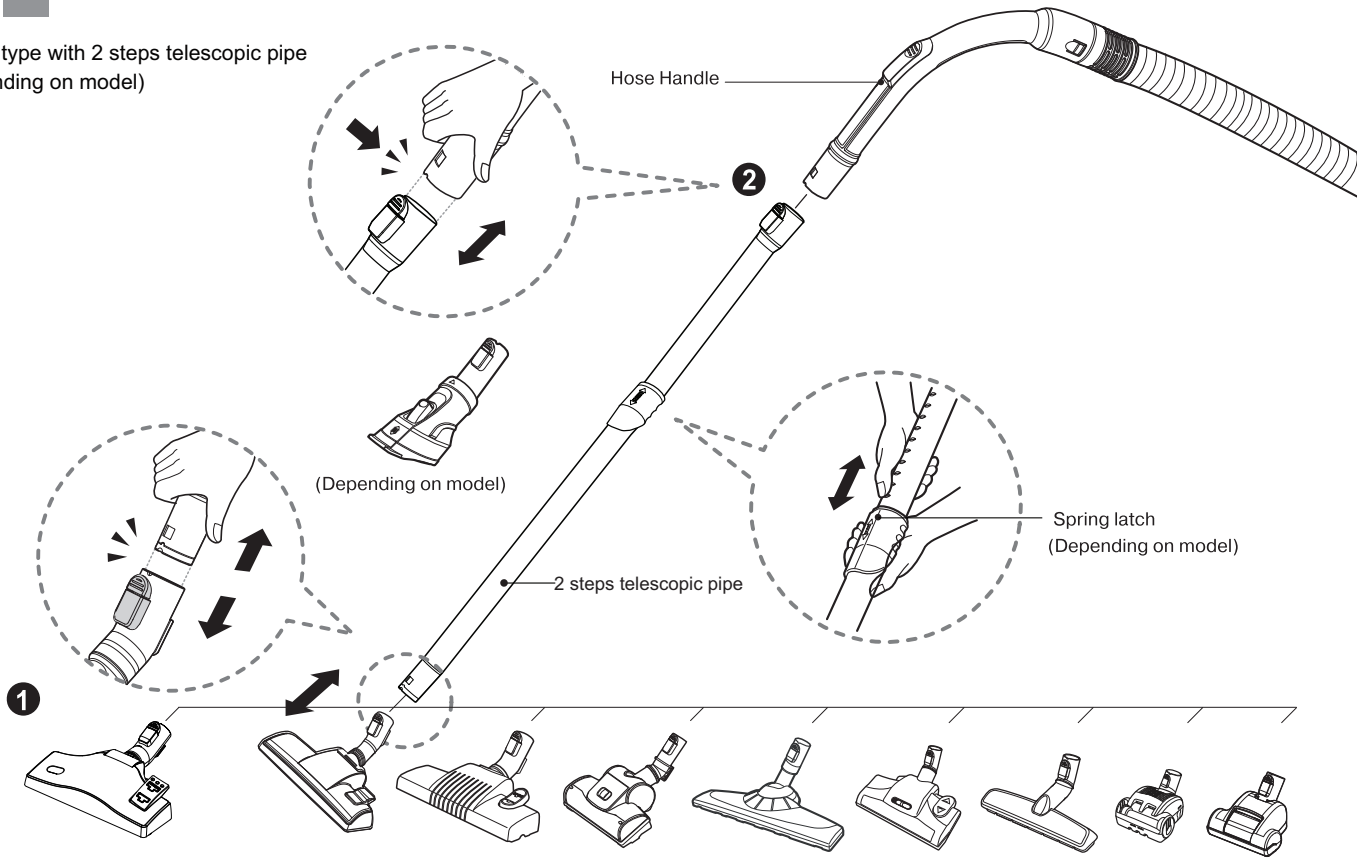
Thermal protector :

This vacuum cleaner has a special thermostat that protects the vacuum cleaner in case of motor overheating. If the vacuum cleaner suddenly shuts off, turn off the switch and unplug the vacuum cleaner. Check the vacuum cleaner for possible source of overheating such as a full dust tank, a blocked hose or clogged filter. If these conditions are found, fix them and wait at least 30 minutes before attempting to use the vacuum cleaner. After the 30 minute period, plug the vacuum cleaner back in and turn on the switch. If the vacuum cleaner still does not run, contact a qualified LG authorised Service Agent.

How to use

Assembling vacuum cleaner

Rotary type with 2 steps telescopic pipe
(Depending on model)



1 Carpet and floor nozzle

2 Telescopic pipe

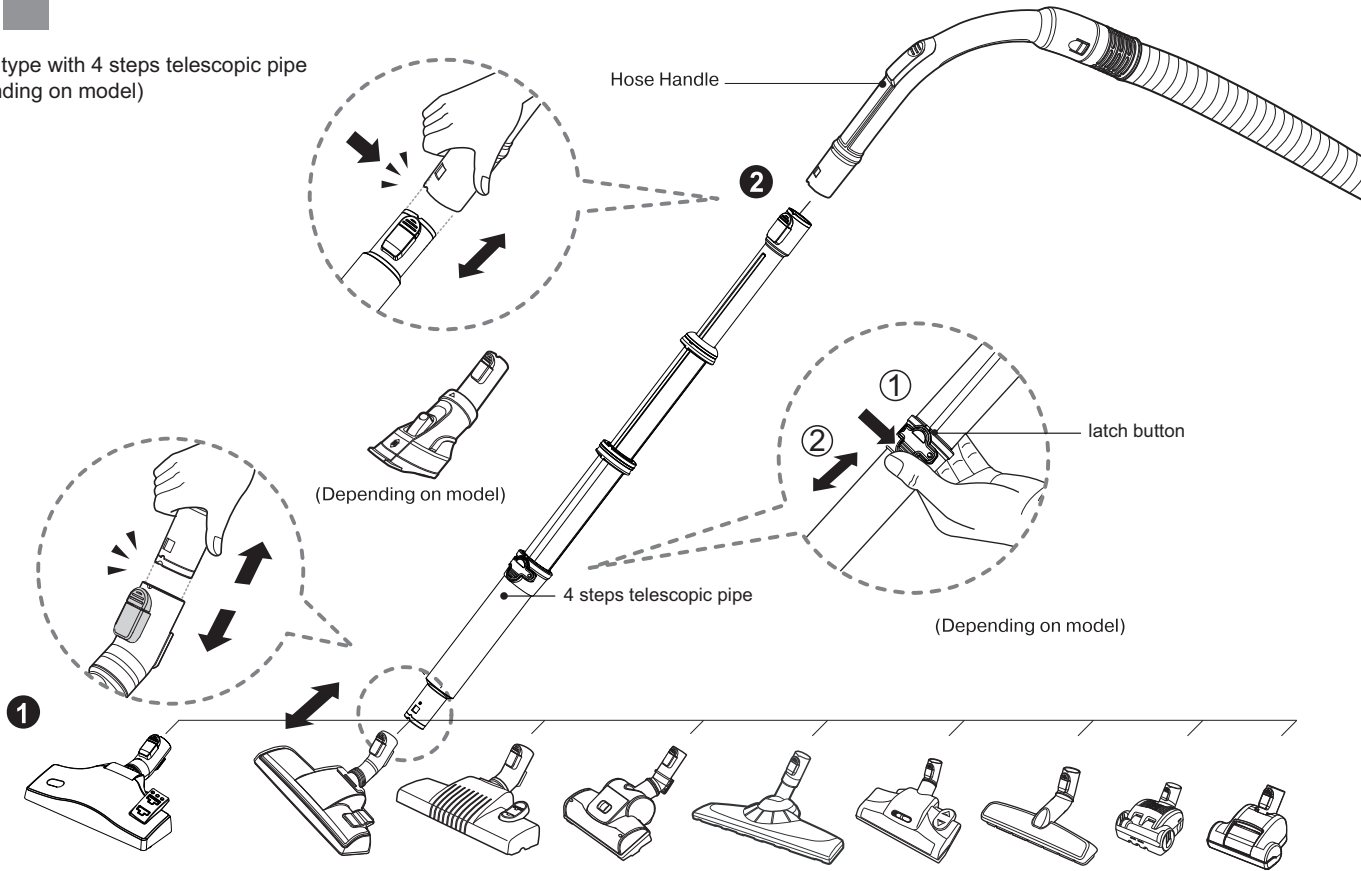
Push the nozzle into the telescopic pipe.

- Push telescopic pipe firmly into hose handle
- Grasp the spring latch to expand.
- Push out the pipe to desired length.

How to use

Assembling vacuum cleaner

Rotary type with 4 steps telescopic pipe
(Depending on model)



1 Carpet and floor nozzle

Push the nozzle into the telescopic pipe.

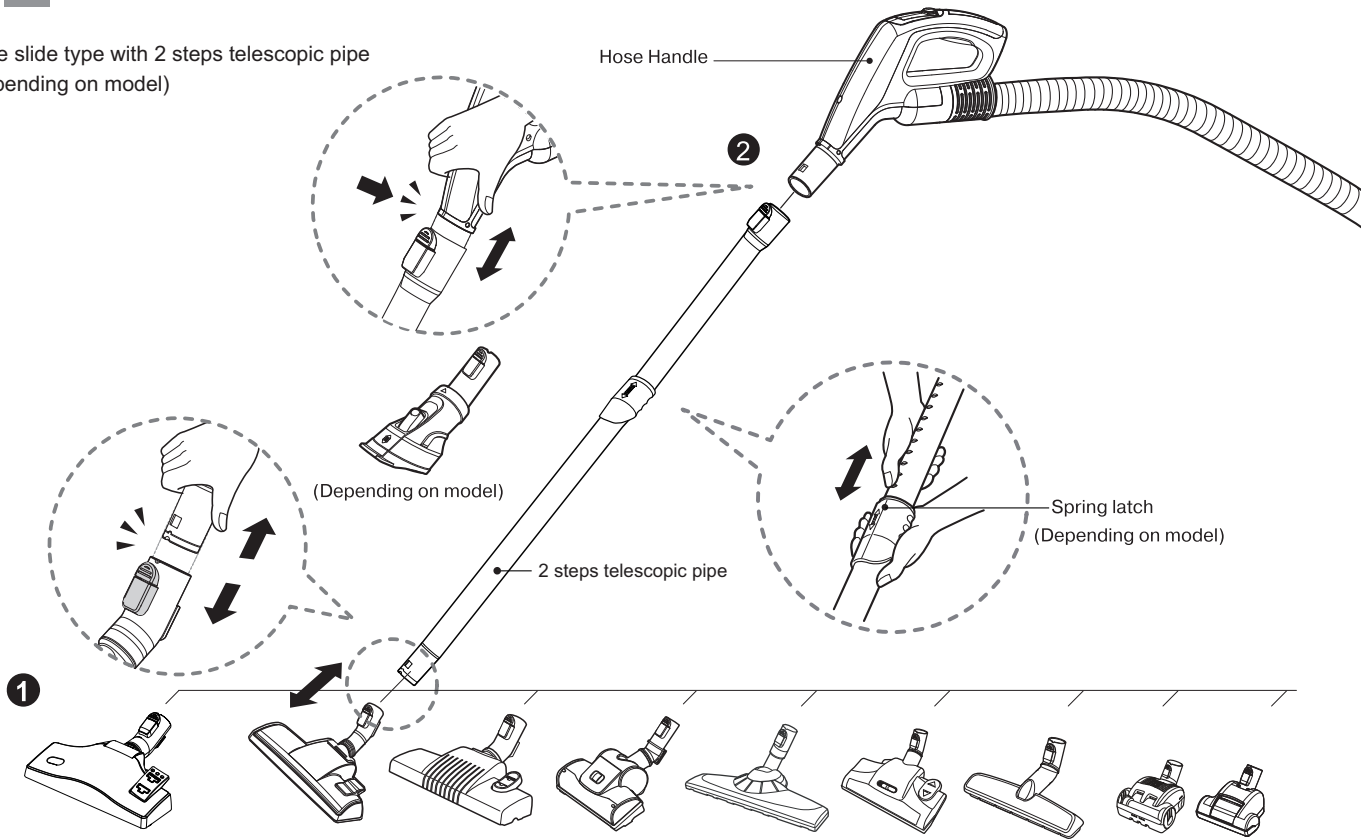
2 Telescopic pipe

- Press the latch button to expand
- Push out the pipe to desired length
- To make short, press the latch button and pull to the pipe.

How to use

Assembling vacuum cleaner

Hose slide type with 2 steps telescopic pipe
(Depending on model)



1 Carpet and floor nozzle

2 Telescopic pipe

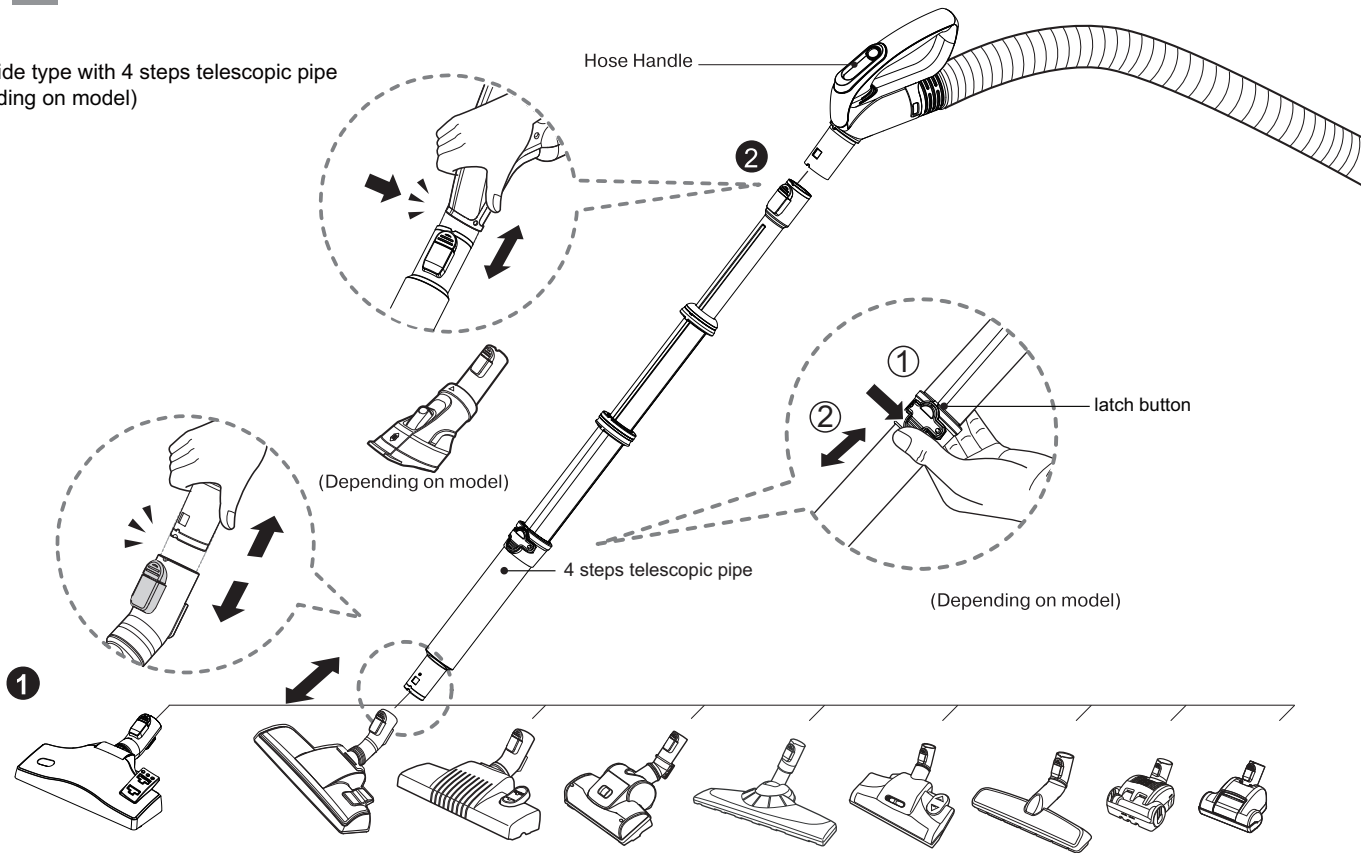
Push the nozzle into the telescopic pipe.

- Push telescopic pipe firmly into hose handle
- Grasp the spring latch to expand.
- Push out the pipe to desired length.

How to use

Assembling vacuum cleaner

Hose slide type with 4 steps telescopic pipe
(Depending on model)

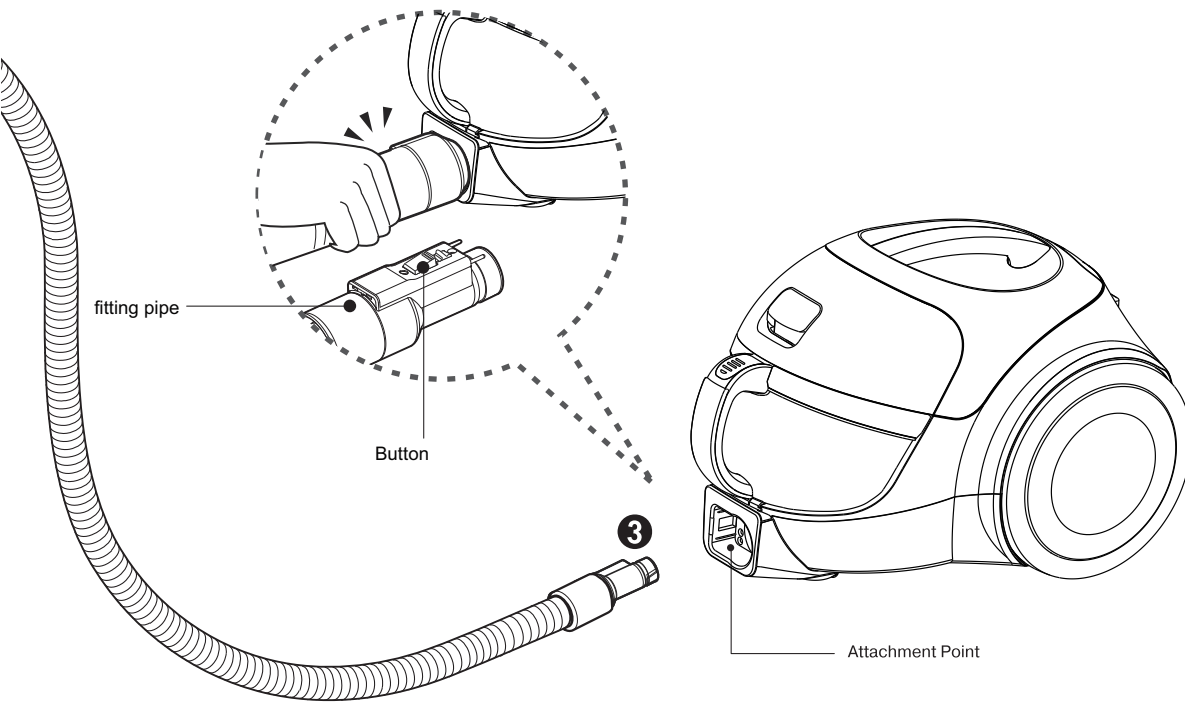


1 Carpet and floor nozzle

Push the nozzle into the telescopic pipe.

2 Telescopic pipe

- Press the latch button to expand.
- Push out the pipe to desired length.
- To make short, press the latch button and pull to the pipe.



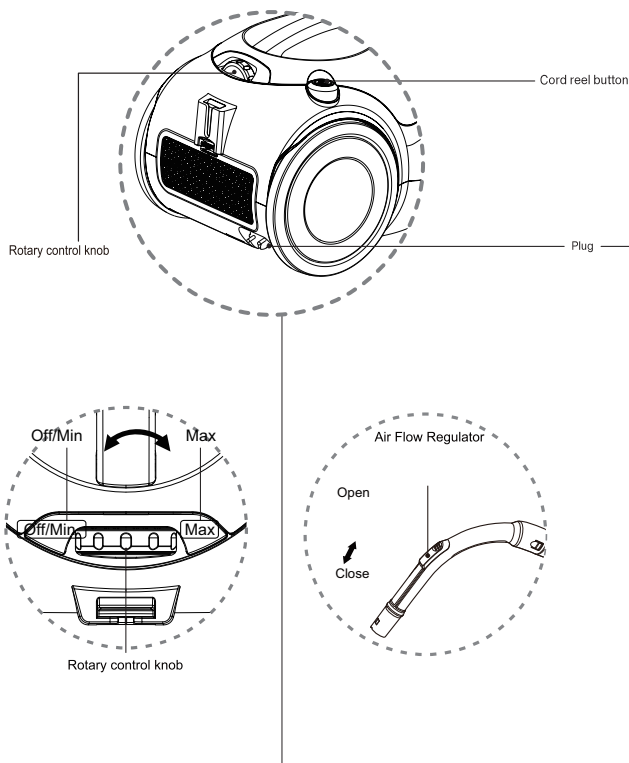
3 Connecting the hose to the vacuum cleaner

Push the fitting pipe on the flexible hose into the attachment point on the vacuum cleaner. To remove the flexible hose from the vacuum cleaner, press the button situated on the fitting pipe, then pull the fitting pipe out of the vacuum cleaner.

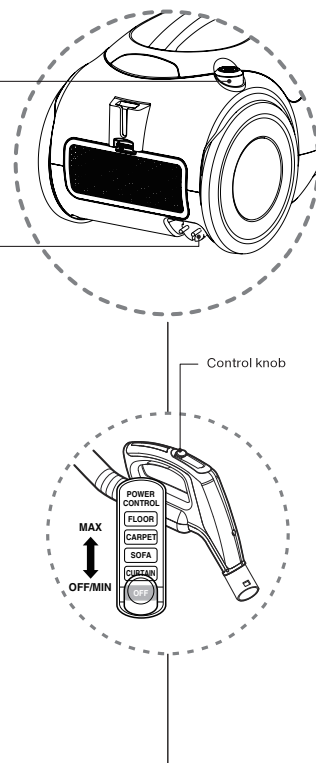
How to use

Operating vacuum cleaner

1 Rotary type (Depending on model)



1 Hose slide type (Depending on model)



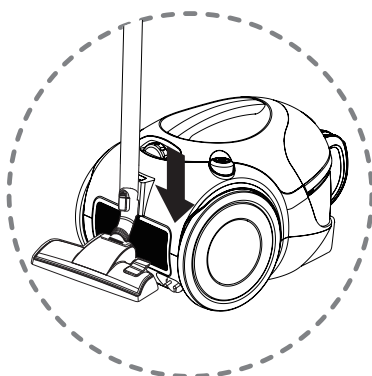
1 How to operate (Rotary type)

- Pull out the power cord to the desired length and plug into the socket.
- Slide the rotary control knob to start the vacuum cleaner and adjust the suction level.
- The flexible hose handle has a manual air flow regulator which allows you to briefly reduce the suction level.
- Press the cord reel button to rewind the power cord after use.

1 How to operate (Hose slide type)

- Pull out the power cord to the desired length and plug into the socket.
- Place the control knob of the hose handle to the required position.
- To turn off, slide control knob to Off position.
- Press the cord reel button to rewind the power cord after use.

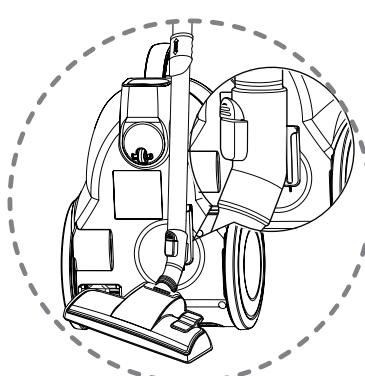
2



2 Park mode

- To store during vacuuming, for example to move a small piece of furniture or a rug, use park mode to support the flexible hose and nozzle.
- Slide the hook on the nozzle into the slot on the side of vacuum cleaner.

3

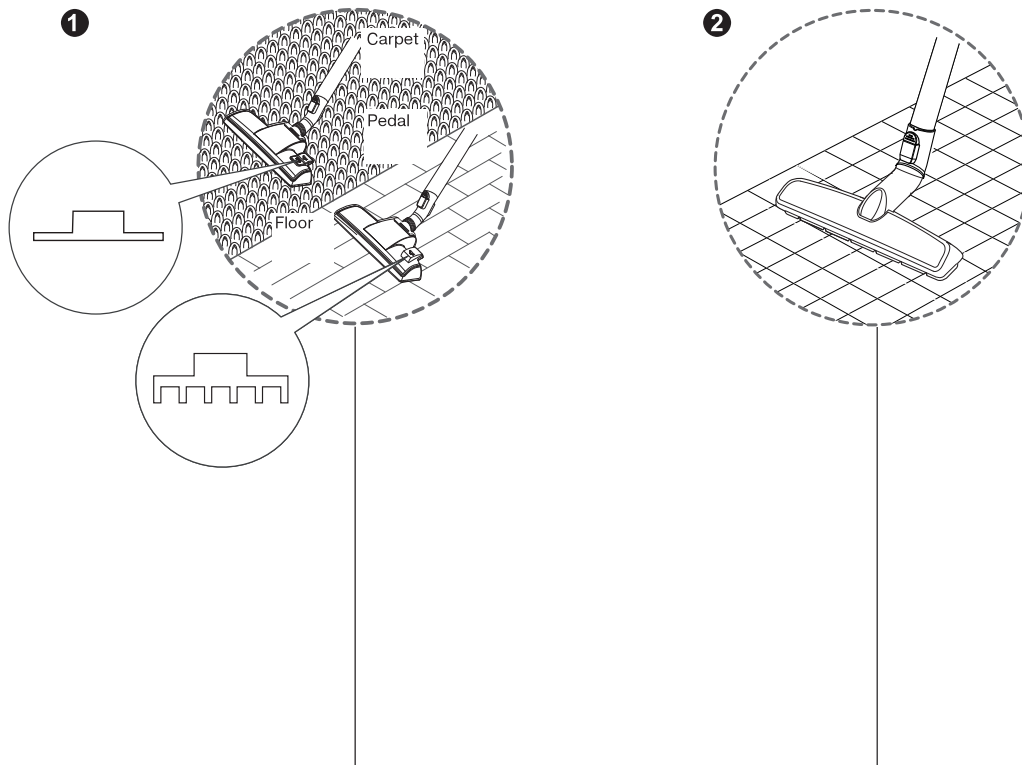


3 Storage

- When you have switched off and unplugged the vacuum cleaner, press the cord reel button to automatically rewind the cord.
- You can store your vacuum cleaner in a vertical position by sliding the hook on the nozzle into the slot on the underside of the vacuum cleaner.

How to use

Using carpet and hard floor nozzle



1 Carpet and floor nozzle (Depending on model)

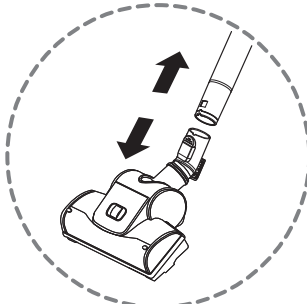
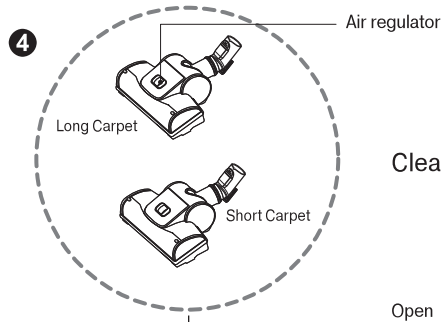
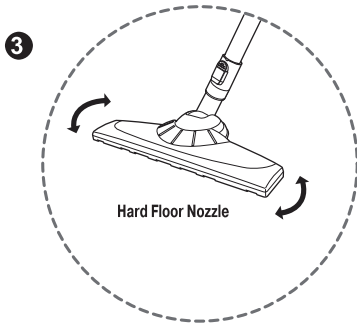
2 Hard Floor Nozzle (Depending on model)

- **The 2 position nozzle**
This is equipped with a pedal which allows you to alter its position according to the type of floor to be cleaned.
Hard floor position (tiles, parquet floors...):
Press on the pedal to lower the brush.
Carpet or rug position.
Press on the pedal to lift the brush up.

- Efficient cleaning of hard floors
(wood, linoleum, etc)

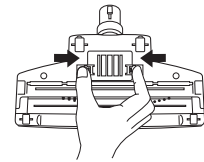
How to use

Using carpet and hard floor nozzle

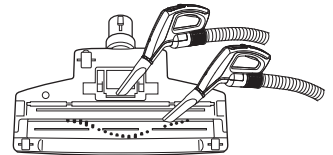


Cleaning Turbine Nozzle

Open



Bottom



3 Hard Floor Nozzle (Depending on model)

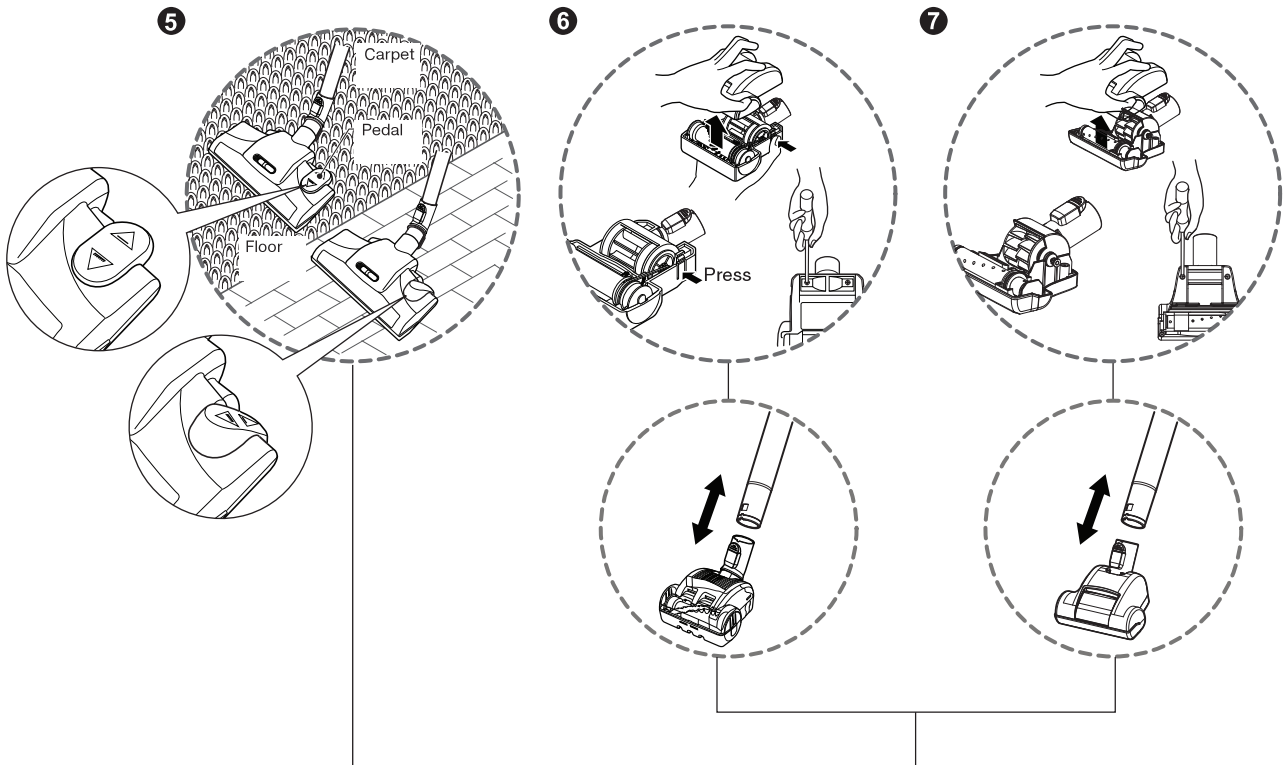
- You can perform cleaning at any place like corner or crevice since rotation of the suction hole is free.

4 Turbine Nozzle (Depending on model)

- **Cleaning turbine brush nozzle.**
- Press the button on the rear side of the nozzle to separate the air cover.
- Use the dusting brush & crevice tool to vacuum clean the brush and fan.

How to use

Using All Floor nozzle, mini turbine nozzle and pet nozzle



5 All Floor nozzle (depending on model)

6/7 Mini turbine nozzle/Pet nozzle (depending on model)

• **The 2 position nozzle**

This is equipped with a pedal which allows you to alter its position according to the type of floor to be cleaned.

• **Carpet or rug position**

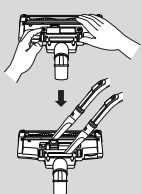
Press the pedal (▲), then brush will rotate

• **Hard floor position**

Press the pedal (▲), then brush will stop rotating.

- Mini turbine or pet nozzle is used for stairs and other hard to reach places.
- To clean the nozzle, remove the nozzle cover :
- Remove screws on the bottom and take the nozzle cover off as shown.
- Frequently clean and remove hair, string, and lint build-up in the brush area. Failure to do so could damage to the nozzle.

Cleaning All Floor nozzle



• Open the cover by pulling the hook.

• Clean the hole and brush of the nozzle.

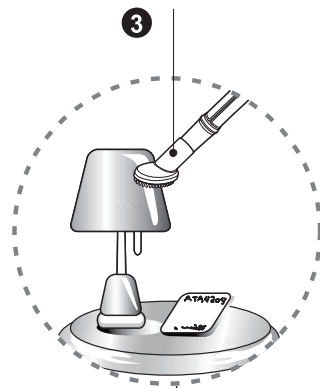
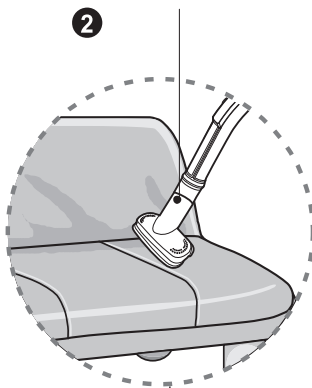
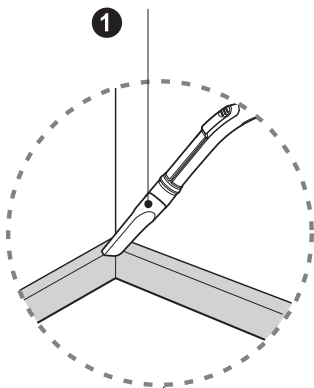
How to use

Using accessory nozzles

Crevice tool (depending on model)

Upholstery nozzle (depending on model)

Dusting brush (depending on model)



1 Crevice tool

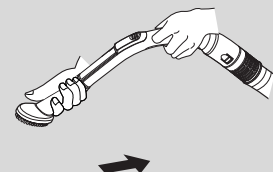
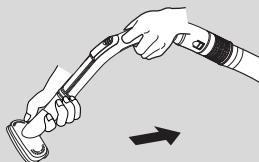
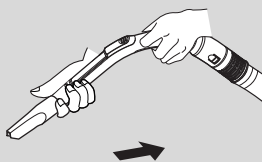
Crevice tool is for vacuuming in those normally hard to reach places such as reaching cobwebs or between the cushions of a sofa.

2 Upholstery nozzle

Upholstery nozzle is for vacuuming upholstery, mattresses etc.

3 Dusting brush

Dusting brush is for vacuuming picture frames, furniture frames, books and other irregular surfaces.



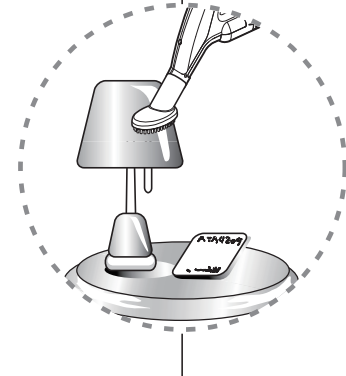
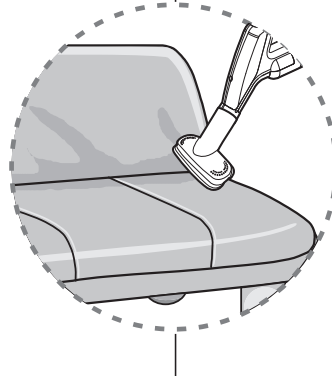
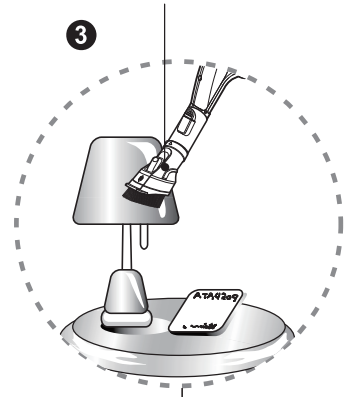
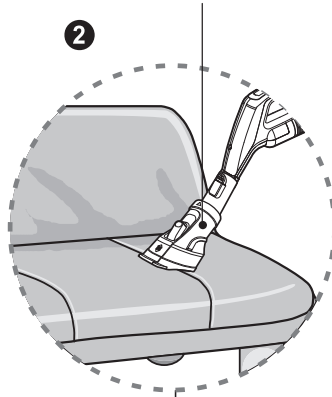
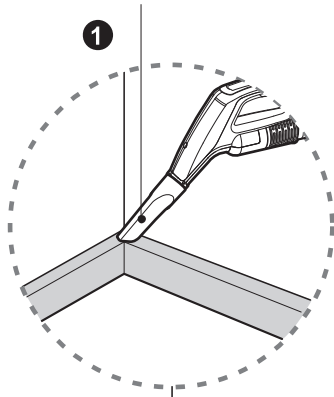
How to use

Using accessory nozzles

Crevice tool (depending on model)

Upholstery nozzle (depending on model)

Dusting brush (depending on model)



1 Crevice tool

2 Upholstery nozzle

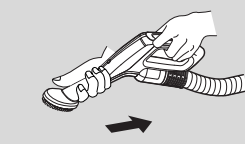
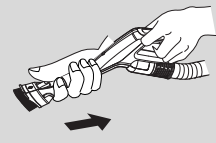
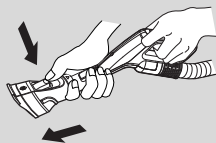
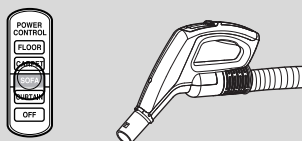
3 Dusting brush

Crevice tool is for vacuuming in those normally hard to reach places such as reaching cobwebs or between the cushions of a sofa.

Upholstery nozzle is for vacuuming upholstery, mattresses etc.

Dusting brush is for vacuuming picture frames, furniture frames, books and other irregular surfaces.

NOTICE!
Use accessory in the sofa mode.



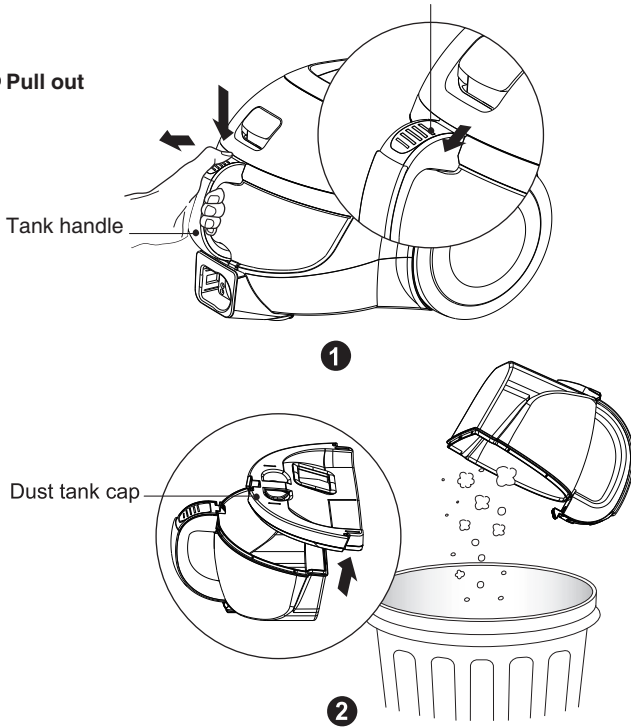
How to use

Emptying dust tank

Tank separation button

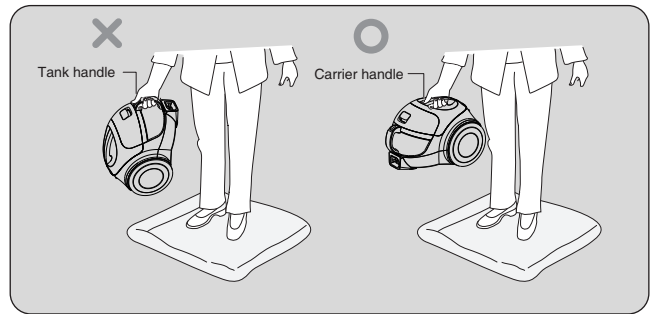
① Push the button

② Pull out



Caution: Moving the vacuum cleaner

- Don't grasp the tank handle when you are moving the vacuum cleaner. The vacuum cleaner's body may fall when separating tank and body. You should grasp the carrier handle when you are moving the vacuum cleaner.



The dust tank needs emptying when the dust reach to the max line.

- Turn off the vacuum cleaner and unplug it.
- Grasp the handle of the tank and then press the tank separation button.
- Pull out the dust tank.
- Empty the tank and then assemble the dust tank.

NOTICE

- If suction power decreases after emptying the dust tank, clean the air filter and the motor safety filter → page 20

How to use

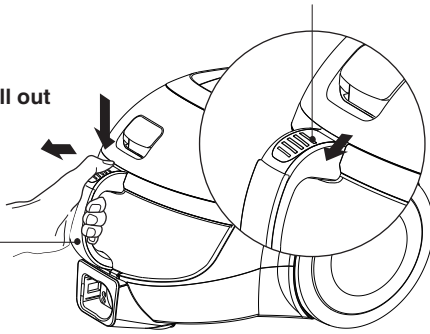
Cleaning dust tank

Tank separation button

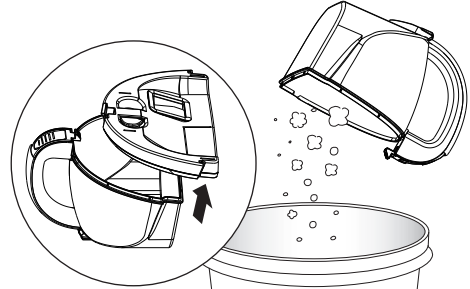
① Push the button

② Pull out

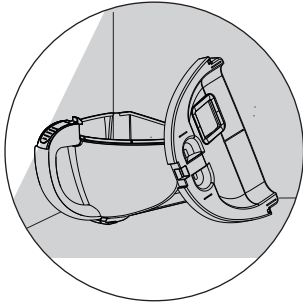
Tank handle



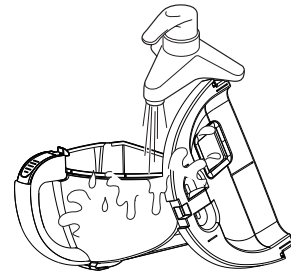
①



②



④



③

- ① Press tank separation button and pull out the dust tank.
- ② Raise the dust tank cap.
- ③ Wash the dust tank and the dust tank cap.
- ④ Dry fully in shade so that moisture is entirely removed.

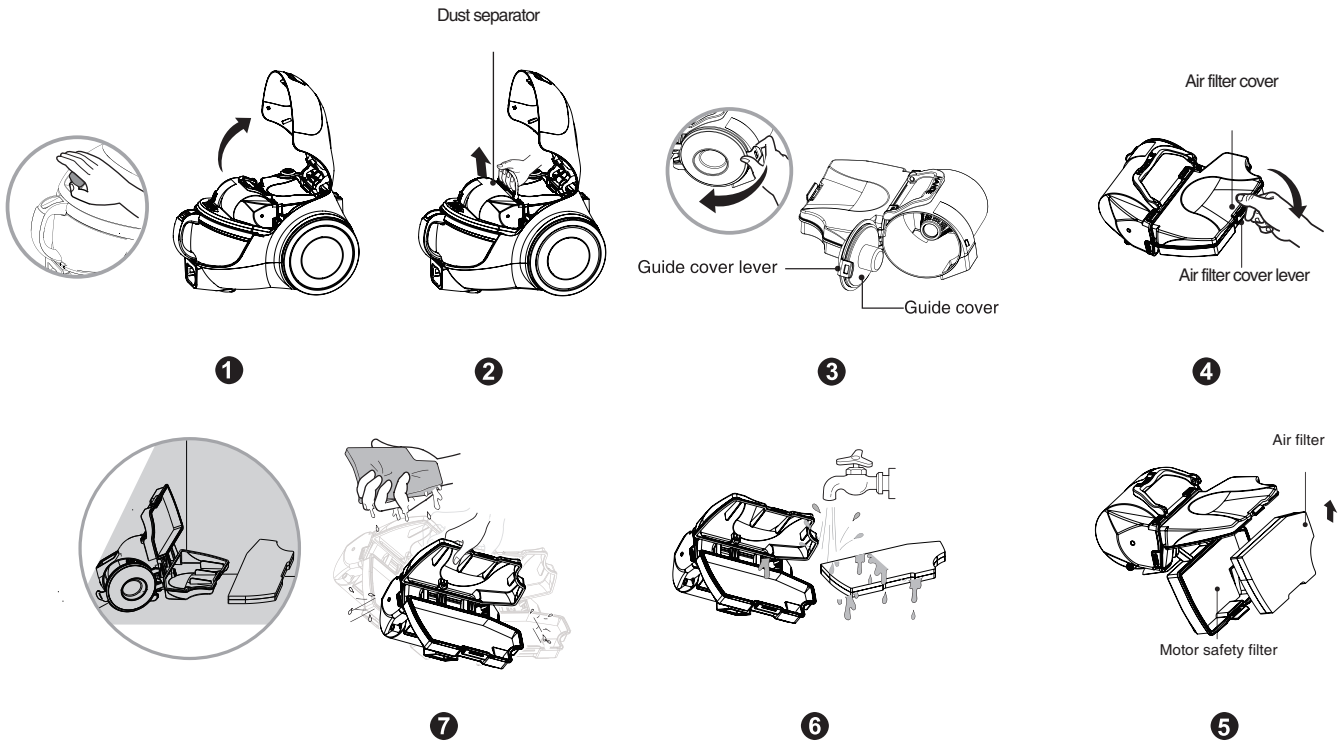
⚠ WARNING!

- Gently rinse both parts separately under a cold running tap until the water runs clear.
- Do not use detergent or a washing machine or dishwasher.

How to use

Cleaning dust separator

- Inside of dust separator, air filter, motor safety filter



If suction power decreases after cleaning the dust tank, clean the air filter and the motor safety filter .
The air filter and the motor safety filter are located on the top of the vacuum cleaner as above the figure.

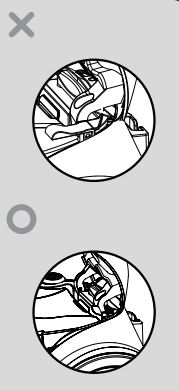
- Open the vacuum cleaner cover by pulling the button.
- Grasp the handle of the dust separator and take it out .
- Open the guide cover by pushing the guide cover lever and remove the dust.
- Open the air filter cover by pushing the air filter cover lever and take out the air filter.
- Wash the air filter and the motor safety filter.
- Dry fully in shade so that moisture is entirely removed.

⚠ WARNING!

- Gently rinse both parts separately under a cold running tap until the water runs clear.
- Do not use detergent or a washing machine or dishwasher.

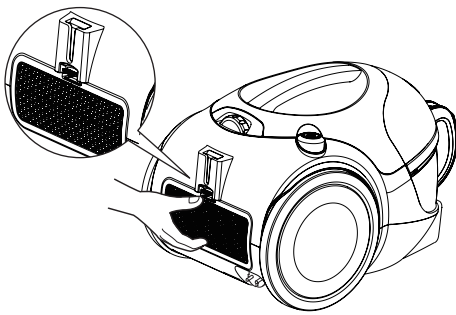
⚠ NOTICE

- 1.If filters are damaged ,do not use them.
- 2.In this cases, contact LG Electronics Service Agent.
Wash filters at least once a month.
- 3.Do not operate the Vacuum Cleaner without setting the separator, If the separator is not set into the Vacuum clean body ,the top cover can not be closed .
- 4.Please set the separator into the body as instruction (please pay attention to lever position).

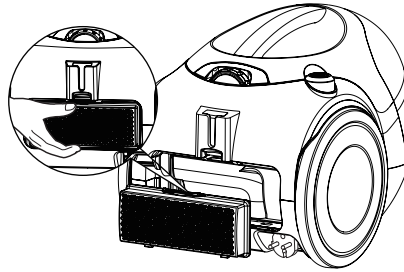


How to use

Cleaning exhaust filter



1



2



3

- The exhaust filter is a reusable HEPA filter.
- To clean the exhaust filter, remove the exhaust filter cover on the body by release hook.
- Separate the exhaust filter by pushing the lever.
- Dust off the exhaust filter.
- Insert the exhaust filter lug into the grooves of the motor housing and push the exhaust filter.
- Insert the exhaust filter cover as same as exhaust filter.
- The exhaust filter should be cleaned at least once half a year.

⚠ WARNING!

- Do not wash the exhaust filter with water.

NOTICE

If filters are damaged, do not use them.
In this cases, contact LG Electronics Service Agent.
Wash filters at least once a month.

What to do if your vacuum cleaner does not work?

Check that the vacuum cleaner is plugged in correctly and that the electrical socket is working.

What to do when suction performance decreases?

- Turn off the vacuum cleaner and unplug it.
- Check the telescopic pipe, flexible hose and cleaning tool for blockages or obstructions.
- Check that the dust tank is not full. Empty if necessary.
- Check that the exhaust filter is not clogged. Clean the exhaust filter if necessary.
- Check that the air filter is not clogged. Clean the air filter if necessary.

NOTE









מה לעשות במקרה ששואב האבק אינו פועל?

בדקו שהמכשיר מחובר לחשמל כהלכה ושקע החשמל תקין.

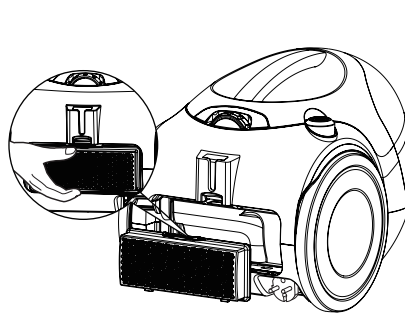
מה לעשות במקרה שביצועי השאיבה פוחתים?

- כבו את שואב האבק ונתקו אותו מהחשמל.
- בדקו את הצינור הטלסקופי, הצינור הגמיש וכלי הניקוי כדי לוודא שאין חסימות או הפרעות.
- בדקו שמידל האבק אינו מלא. דוקנו אותו אם יש צורך.
- בדקו שמסנן הפליליטה אינו סתום. נקו את מסנן הפליליטה אם יש צורך.
- בדקו שמסנן האוויר אינו סתום. נקו את מסנן האוויר אם יש צורך.

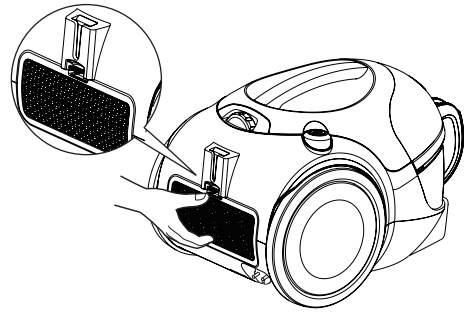
אופן השימוש ניקוי מסנן הפליטה



3



2



1

- מסנן הפליטה הוא מסנן רב-שימושי מסוג HEPA.
- לניקוי מסנן הפליטה, הסר את מכסה מסנן הפליטה מהגוף באמצעות וו שחרור.
- הפרד את מסנן הפליטה על-ידי דחיפת הידית.
- נקה את האבק ממסנן הפליטה.
- הכנס את הזיז של מסנן הפליטה אל החריצים של מארז המנוע ודחוף את מסנן הפליטה.
- הכנס את המכסה של מסנן הפליטה כמו שהכנסת את מסנן הפליטה.
- יש לנקות את מסנן הפליטה לפחות כל חצי שנה.

- מסנן הפליטה הוא מסנן HEPA שניתן ל'שטוף גל' עשות בו שימוש חוזר.
- כדי להחליף את מסנן הפליטה, הסירו את מכסה המסנן על הגוף על ידי שחרור הוו.
- מעכו החוצה את מסנן הפליטה.
- נערו את המסנן כדי להסיר אבק. (אינן לנקות את המסנן עם מים)
- יש לנקות את מסנן הפליטה לפחות פעם בשנה.

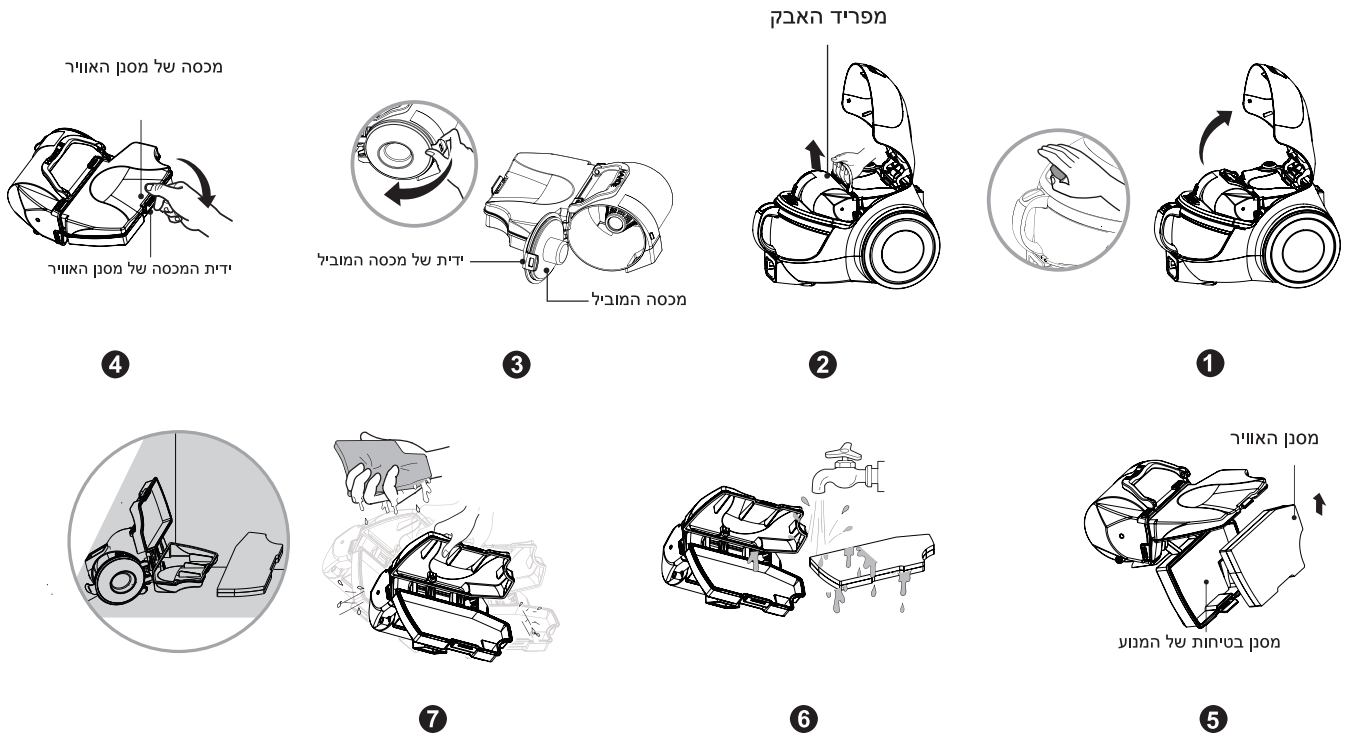
הודעה

אם המסנן פגום, אל תשתמש בו.
במקרה כזה, פנה אל סוכן השירות של LG Electronics.
רחץ את המסננים פעם בחודש לפחות.

⚠ אזהרה!

• אל תרחץ את מסנן הפליטה במים.

אופן השימוש ניקוי מפריד האבק



If suction power decreases after cleaning the dust tank, clean the air filter and the motor safety filter.
The air filter and the motor safety filter are located on the top of the vacuum cleaner as above the figure.

- Open the vacuum cleaner cover by pulling the button.
- Grasp the handle of the dust separator and take it out.
- Open the guide cover by pushing the guide cover lever and remove the dust.
- Open the air filter cover by pushing the air filter cover lever and take out the air filter.
- Wash the air filter and the motor safety filter.
- Dry fully in shade so that moisture is entirely removed.

אם עוצמת היניקה נחלשת לאחר ניקוי מכל האבק, נקה את מסנן האוויר ואת מסנן הבטיחות של המנוע. מסנן האוויר ומסנן הבטיחות של המנוע נמצאים בחלק העליון של שואב האבק, כפי שמופיע למעלה באיור.

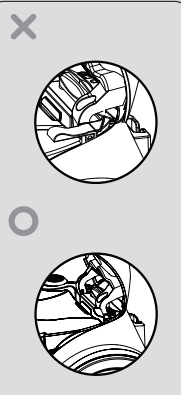
- פתח את מכסה שואב האבק על-ידי משיכה הכפתור.
- אחוז בידיית של מפריד האבק והוצא אותו החוצה.
- פתח את מכסה המוביל על-ידי דחיפת הידיית של מכסה המוביל ונקח את האבק.
- פתח את מכסה המסנן על-ידי דחיפת ידיית המכסה של מסנן האוויר והוצא את מסנן האוויר.
- רחץ את מסנן האוויר ואת מסנן הבטיחות של המנוע.
- ייבש לחלוטין בצל כדי שלא תישאר לחות כלל.

⚠ אזהרה!

- שטוף בעדינות את שני החלקים בנפרד תחת זרם מי ברז קרים עד שהמים הנשטפים יהיו נקיים.
- אל תשתמש בנזל ניקוי, במכונת כביסה או במדיח כלים.

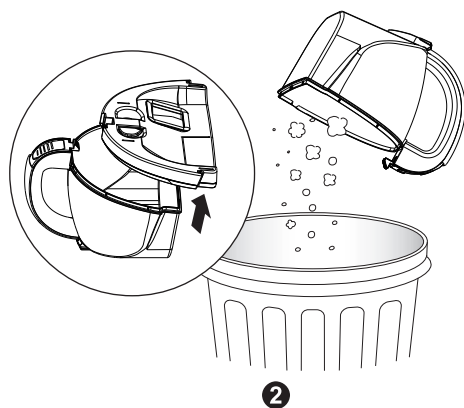
⚠ הודעה!

1. אם המסננים פגומים, אל תשתמש בהם.
2. במקרה כזה, פנה אל סוכן השירות של LG Electronics. רחץ את המסננים פעם בחודש לפחות.
3. אל תפעיל את שואב האבק מבלי להרכיב את המפריד. אם המפריד לא מורכב בגוף שואב האבק, לא ניתן לסגור את המכסה העליון.
4. נא הרכב את המפריד בגוף בהתאם להוראות (שים לב למיקום הידיית).

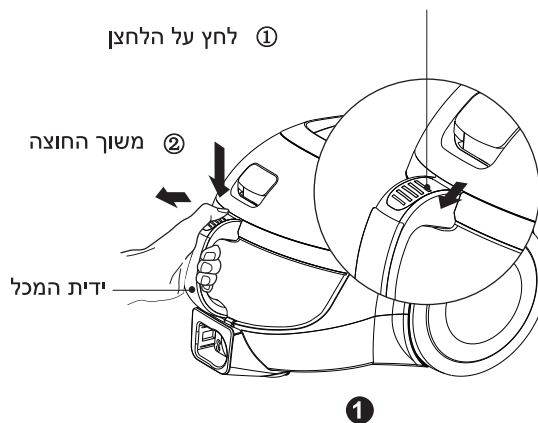


אופן השימוש ניקוי מיכל האבק

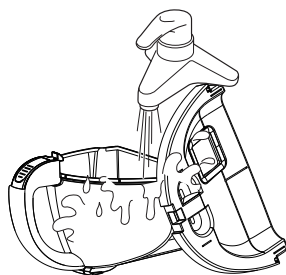
לחצן להפרדת המכל



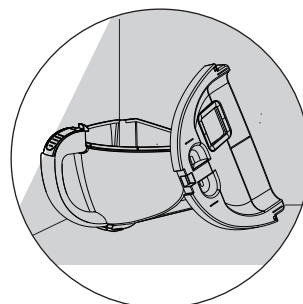
2



1



3

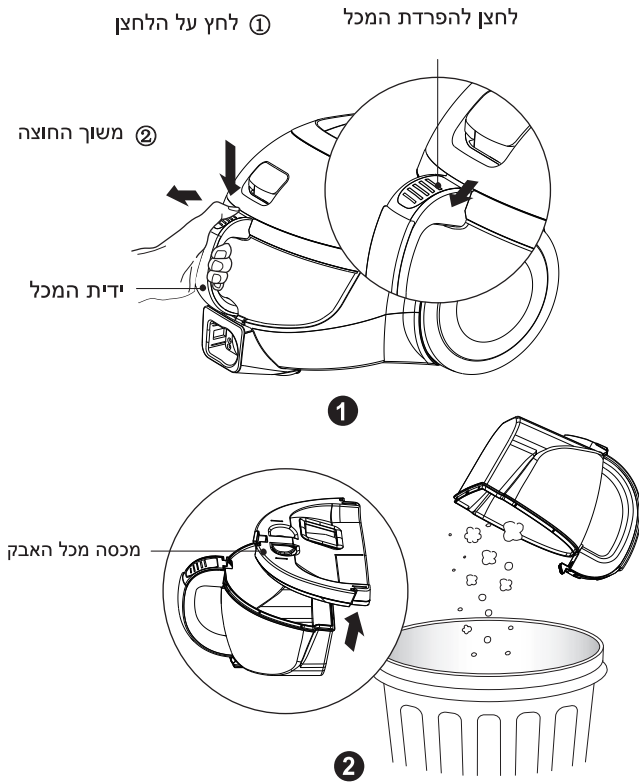


4

- 1 לחץ על הלחצן להפרדת המכל ומשוך החוצה את המכל.
- 2 הרם את המכסה של מכל האבק.
- 3 רחץ את מכל האבק ואת המכסה שלו.
- 4 ייבש לחלוטין בצל כך שלא תישאר לחות כלל.

אזהרה! ⚠

- שטוף בעדינות את שני החלקים בנפרד תחת זרם מי ברז קרים עד שהמים הנשטפים יהיו נקיים.
- אל תשתמש בנוזל ניקוי, במכונת כביסה או במדיחי כלים.



זהירות: כאשר אתה לשאת את השואב, לא אל תאחז בידית המכל בעת הזזת שואב האבק. גופו של שואב האבק עלול ליפול בעת הפרדת המכל מהגוף. יש לאחוז בידית הנשיאה בעת הזזת שואב האבק.

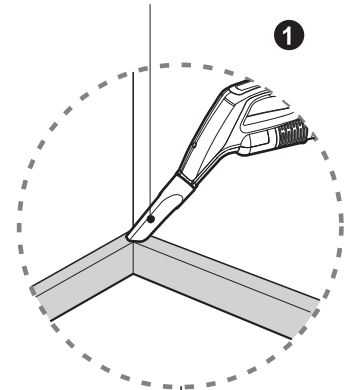


- יש לרוקן את מכל האבק כאשר האבק מגיע לקו הכמות המרבית.
- כבה את שואב האבק ונתק אותו מהחשמל.
 - אחוז בידית המכל ולחץ על הלחצן להפרדת המכל.
 - משוך החוצה את מכל האבק.
 - רוקן את המכל ולאחר מכן הרכב אותו חזרה.

הודעה
 • אם עוצמת היניקה נחלשת לאחר ריקון מכל האבק, נקה את מסנן האוויר ואת מסנן הבטיחות של המנוע ← עמ' 20.

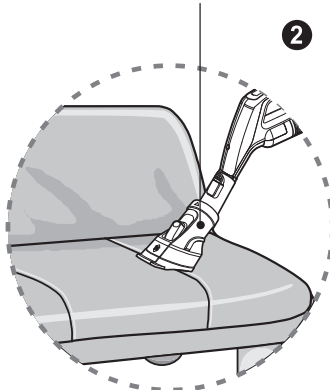
אופן השימוש שימוש באביזרי הפיות

פיה לניקוי ריפוד (בהתאם לדגם)



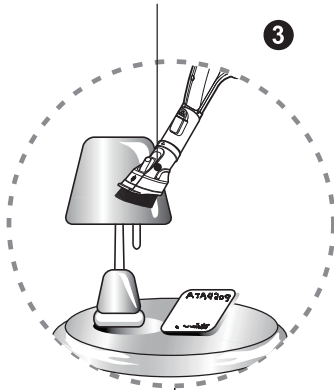
1

פיה לניקוי פינות (בהתאם לדגם)

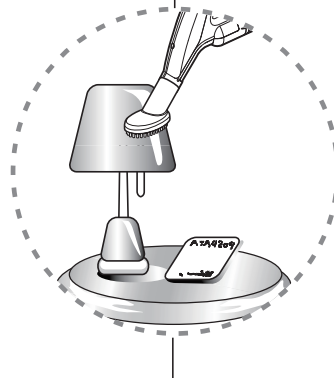


2

מברשת אבק (בהתאם לדגם)



3



3 מברשת אבק

2 פיה לניקוי ריפוד

1 פיה לניקוי פינות

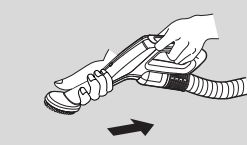
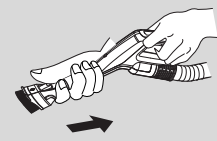
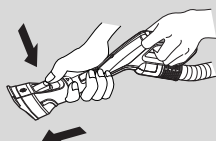
מברשת אבק לשאיבת מסגרות עץ, תמונות, רהיטים, ספרים ומשמחים הריגים אחרים.

פיה לניקוי ריפוד לשאיבת ריפוד, מזרונים וכדומה.

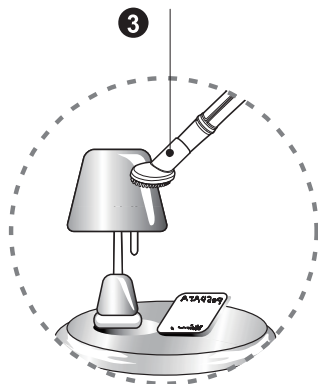
פיה לניקוי פינות לשאיבה במקומות שהגישה אליהם קשה בדרך כלל, כגון קורי עכביש או בין כריות הספה.

חשוב

השתמשו באביזרי הפיות במודת של ספה.

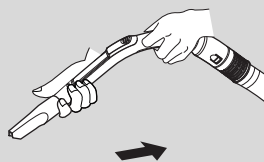


מברשת אבק

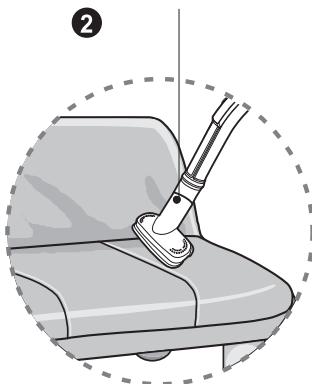


3 מברשת אבק

מברשת אבק לשאיבת מסגרות עגל תמונות, רהיטים, ספרים ומשטחים חריגים אחרים.

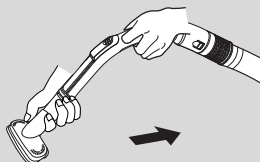


פייה לניקוי פינות

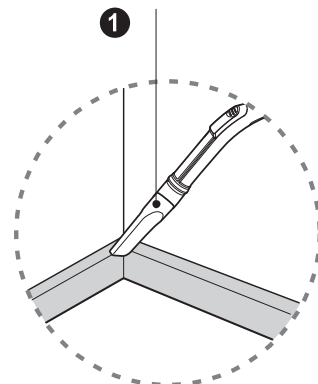


2 פייה לניקוי ריפוד

פייה לניקוי ריפוד לשאיבת ריפוד, מזרונים וכדומה.

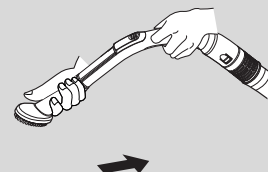


פייה לניקוי ריפוד

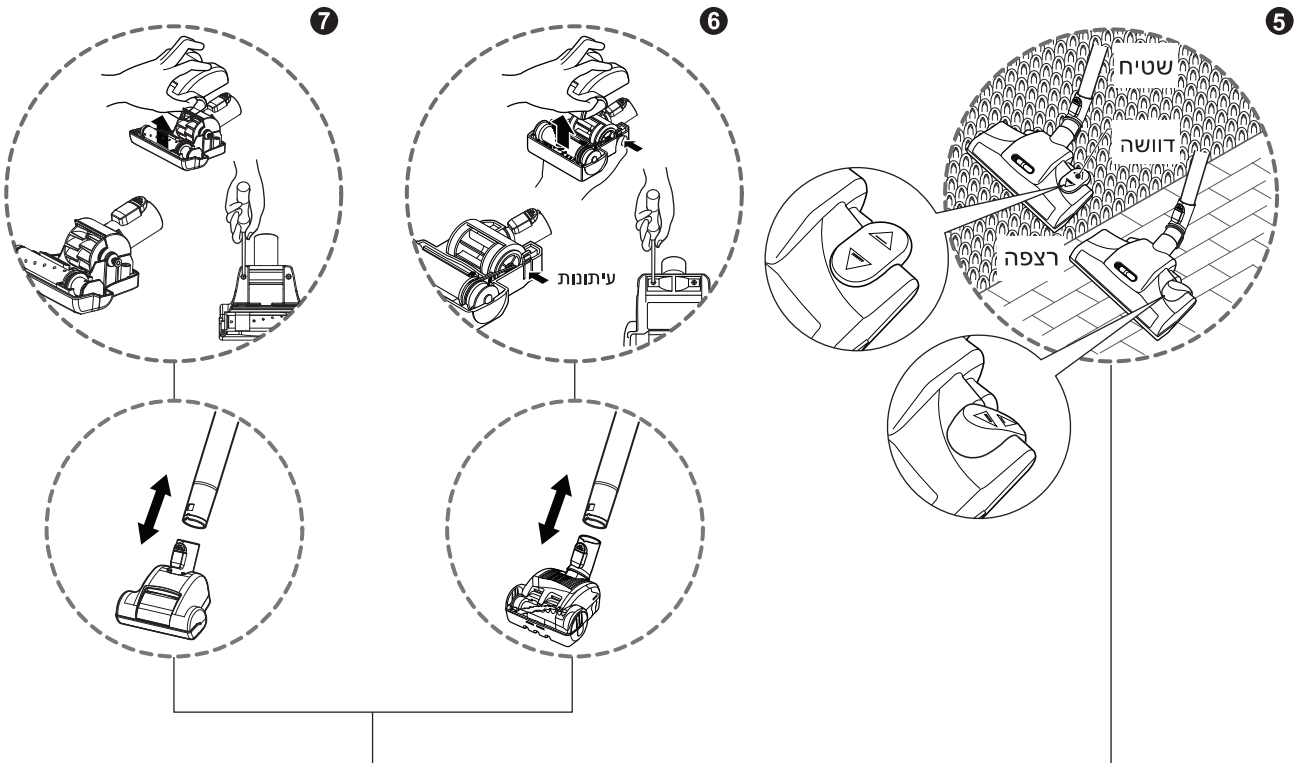


1 פייה לניקוי פינות

פייה לניקוי פינות לשאיבה במקומות שהיא עשה אליהם קשה בדרך כלל, כגון קורי ענב בינן או בין כריות הספה.



באמצעות הפיה לכל סוגי הרצפה, פיית המיני טורבינה והפיה לניקוי שערות של חיות מחמד



5 פייה לכל סוגי הרצפות (בהתאם לדגם)

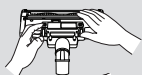
7/6 פיה מיני טורבינה/פיה לניקוי שערות של חיות מחמד (בהתאם לדגם)

- הפייה הדו-מצבית פייה זו מצוידת בדוושה שמאפשרת לשנות את מצבה, בהתאם לסוג הרצפה שיש לנקות.
- מצב שטיח או מרדד לחצו על הדוושה (▲) כדי שהמברשת תסתובב
- מצב רצפה קשה לחצו על הדוושה (▲) כדי שהמברשת תפסיק להסתובב

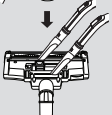
- פיה מיני טורבינה או פיה לניקוי שערות של חיות מחמד משמשות למדרגות למקומות אחרים עם גישה קשה.
- לניקוי הפיה, הסר את מכסה הפיה: הסר את הברגים בתחתית והסר את מכסה הפיה בהתאם למתואר.
- נקה לעתים קרובות והסר שערות, חוטים והצטברות מוך מאזור המברשת. אם לא תנקה, הפיה עלולה להינזק.

לנקות את זרבובית עבור כל הקומות

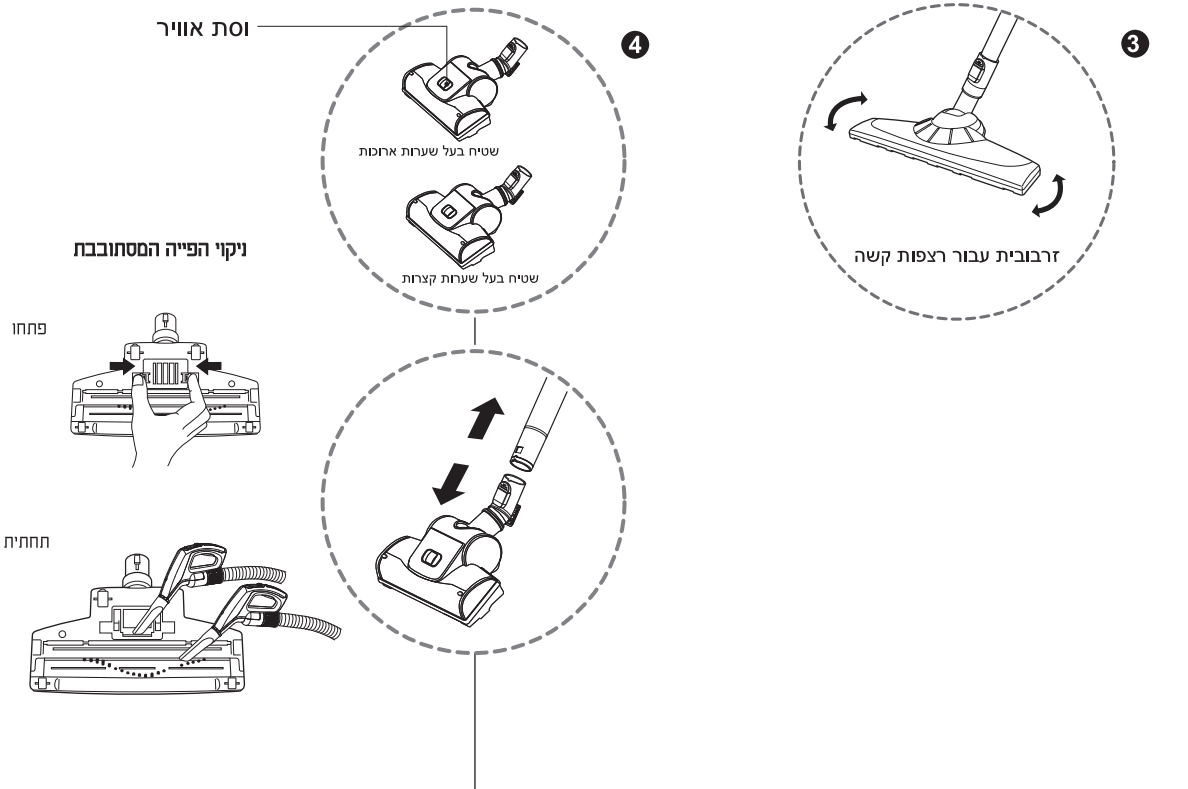
• למשוך את הקרס כדי לפתוח את העטיפה.



• ניתן לנקות את החור ואת המברשת של הזרבובית.



שימוש בפייה לשטיחים ורצפה קשה

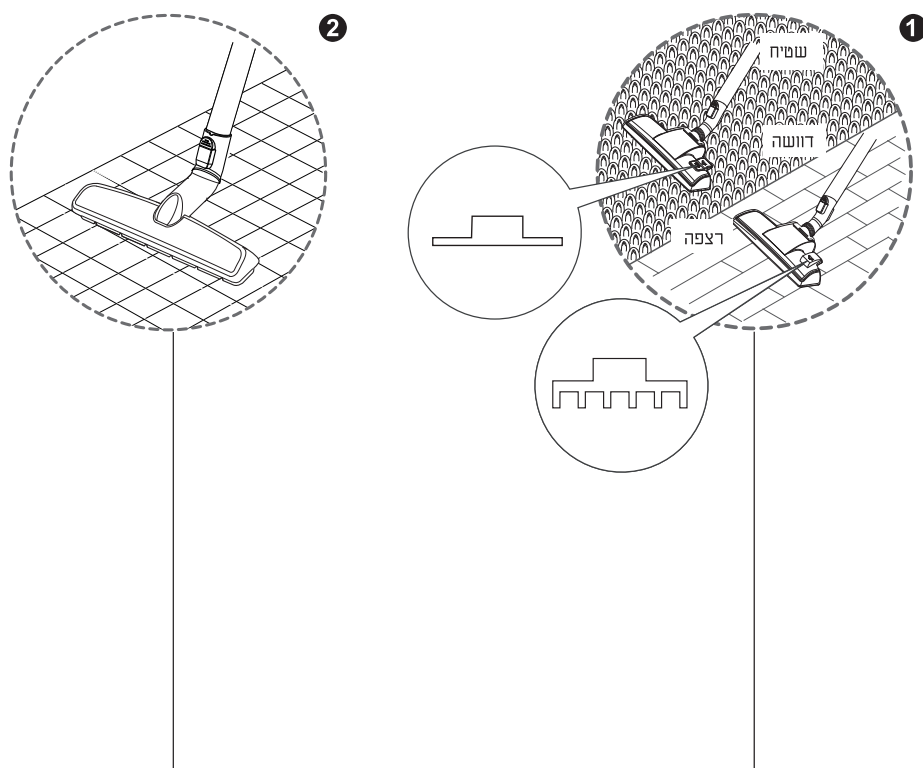


4 פייה מסחובבת (בהתאם לדגם)

3 זרבובית עבור רצפות קשה (בהתאם לדגם)

- ניקוי פיית המברשת המסחובבת .
- ל'חצו על' גל'חצן בצד האחורי עג' הפייה, כדי להפריד את מכסה האוויר .
- השתמשו במברשת האבק ובפייה לניקוי פיוות כדי לע' אוב'ל'נקות את המברשת והמאורר .

ניתן לבצע ניקוי בכל מקום כגון פינה או כוך כיוון שהסבב של חור היניקה פנוי.



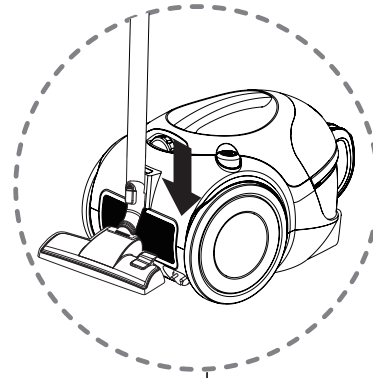
2 זרבובית עבור רצפות קשה (בהתאם לדגם)

1 פיית שטיחים ורצפה (בהתאם לדגם)

• ניקוי יעיל של רצפות קשה (כגון עץ, לינוליאום וכן הלאה)

- הפייה הדו-מצבית
- פייה זו מצוידת בדושה שמאפשרת לשנות את מצבה, בהתאם לסוג הרצפה שיש לנקות.
- מצב רצפה קשה (מרצפות, רצפת פרקט וכדומה).
- לחץ על הדושה כדי להנמיך את המברשת.
- מצב שטיח או מרבד.
- לחצו על הדושה כדי להרים את המברשת.

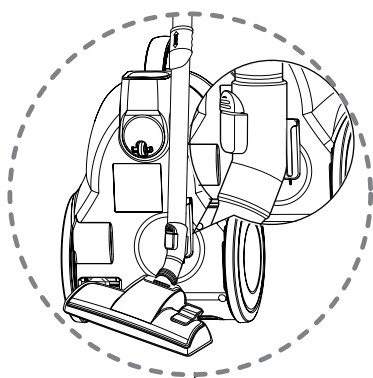
2



2 מערכת חנייה

- להפסקת קצרות במהלך השאיבה, לדוגמה, כדי להזיז רהיט קטן או מרבד, השתמשו במערכת החנייה על מנת לתמוך צינור הגמיש ובראש הניקוי.
- התליקו את הו שנמצא בפיהה לתוך החרוץ שבתליקו האחורי על שואב האבק.

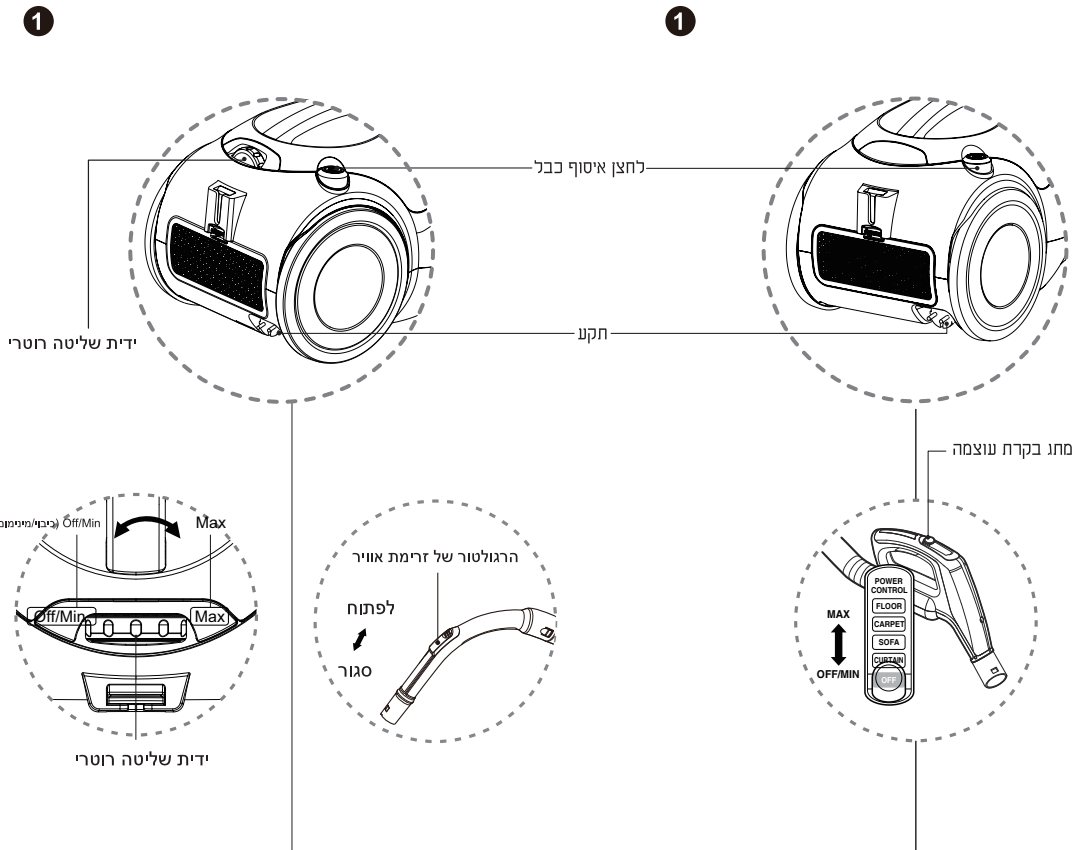
3



3 אחסון

- לאחר כיבוי שואב האבק וניתוקו מהחשמל, לחצו על לחצן איסוף הכבל כדי לזלוזל חזרה את הכבל אופוטמטית.
- ניתן לאחסן את שואב האבק במצב אנכי על ידי הכנסת הו שנעל הפייה לתוך החרוץ שבתליק התחתון על שואב האבק.

אופן השימוש הפעלת שואב האבק

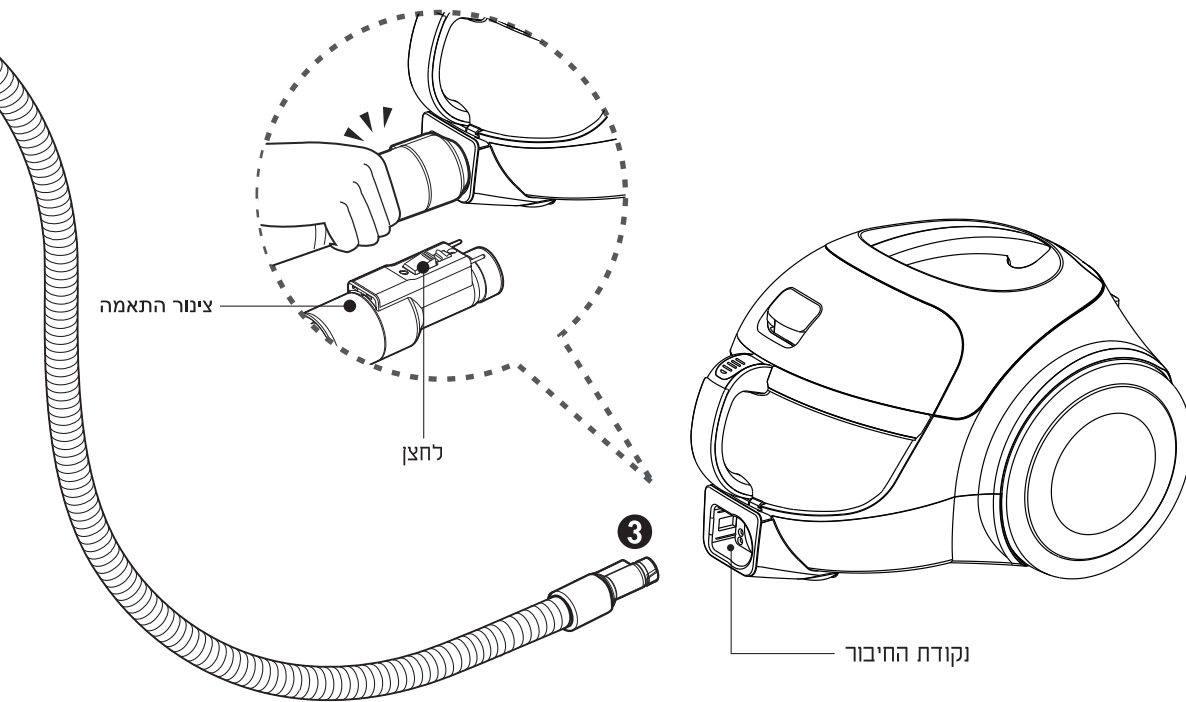


1 אופן ההפעלה (סוג רוטרי)

1 אופן ההפעלה (הצינור מחליק סוג)

- משכו את כבל החשמל לאורך הרצוי ותקעו אותו בעקע החשמל.
- החלק את כפתור בקרת הסיבוב כדי להפעיל את שואב האבק וכדי לכוון את רמת היניקה.
- אתה יכול להחליק את הידית שליטה חטרי לשנות את כוח היניקה.
- ידית צינור גמיש בעל וסת עובר זרימת אוויר ואתה יכול לצמצם את כוח היניקה.
- אתה יכול ללחוץ על כפתור סליל חוט כדי להריץ לאחור את כבלי החשמל.

- משכו את כבל החשמל לאורך הרצוי ותקעו אותו בעקע החשמל.
- דחפו את מתג בקרת העוצמה על ידי הצינור לכיוון המצב הרצוי.
- כדי לכבות, דחפו את מתג בקרת העוצמה למצב OFF.
- לחצו על לחצן איסוף הכבל כדי לנג'ל חזרה את כבל החשמל לאחור השימוש.

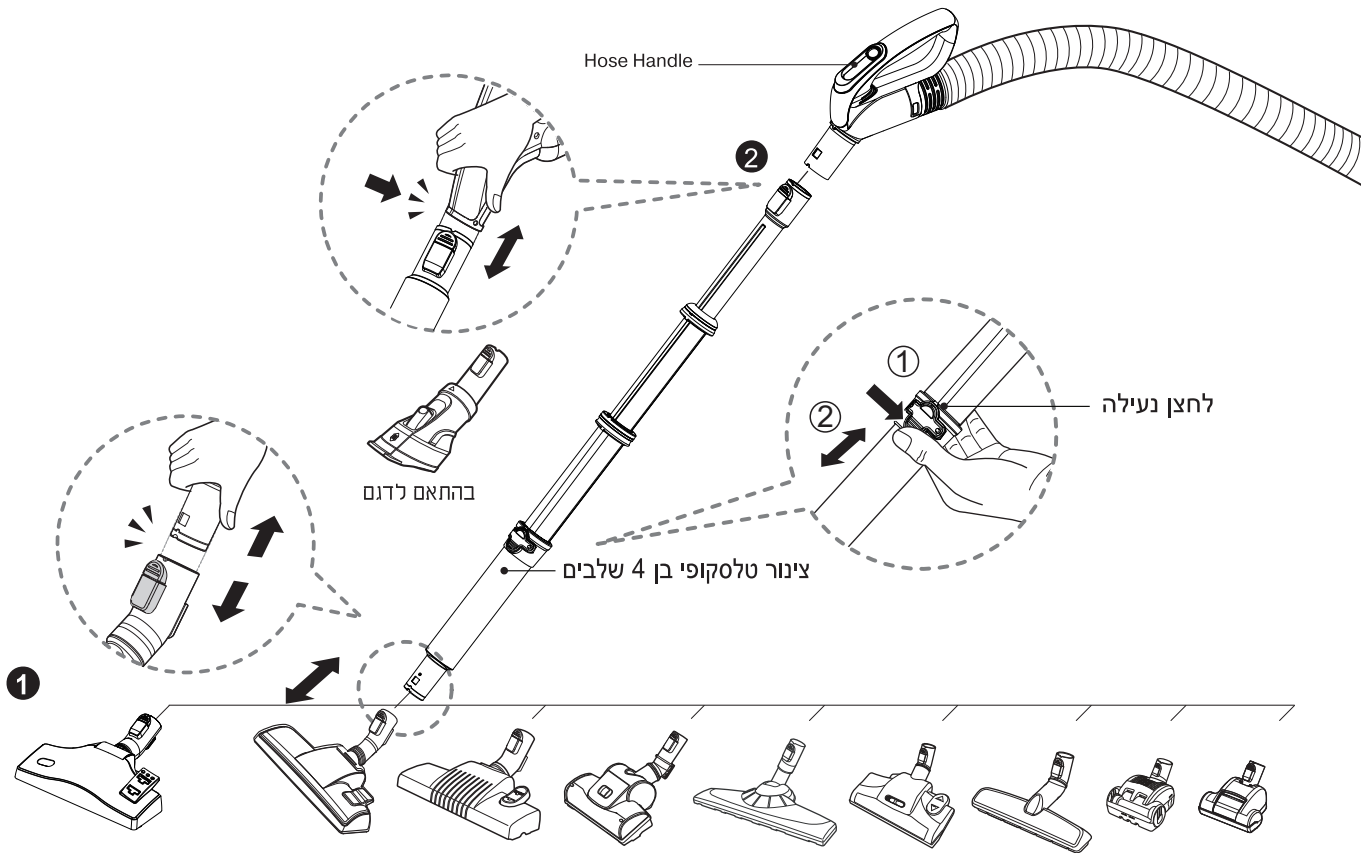


3 חיבור הצינור לשואב האבק

- דחפו את קצה הראש על הצינור הגמיש לתוך נקודת החיבור שבשואב האבק.
- כדי להסיר את הצינור הגמיש משואב האבק, לחצו על 'לחצן' שנמצא בראש על הצינור הגמיש, ו'לאחר מכן משכו את הראש מתוך שואב האבק.

אופן השימוש הרכבת שואב האבק

צינור מסוג החלקה עם צינור טלסקופי בעל 4 שלבים



2 צינור גל'סקופי

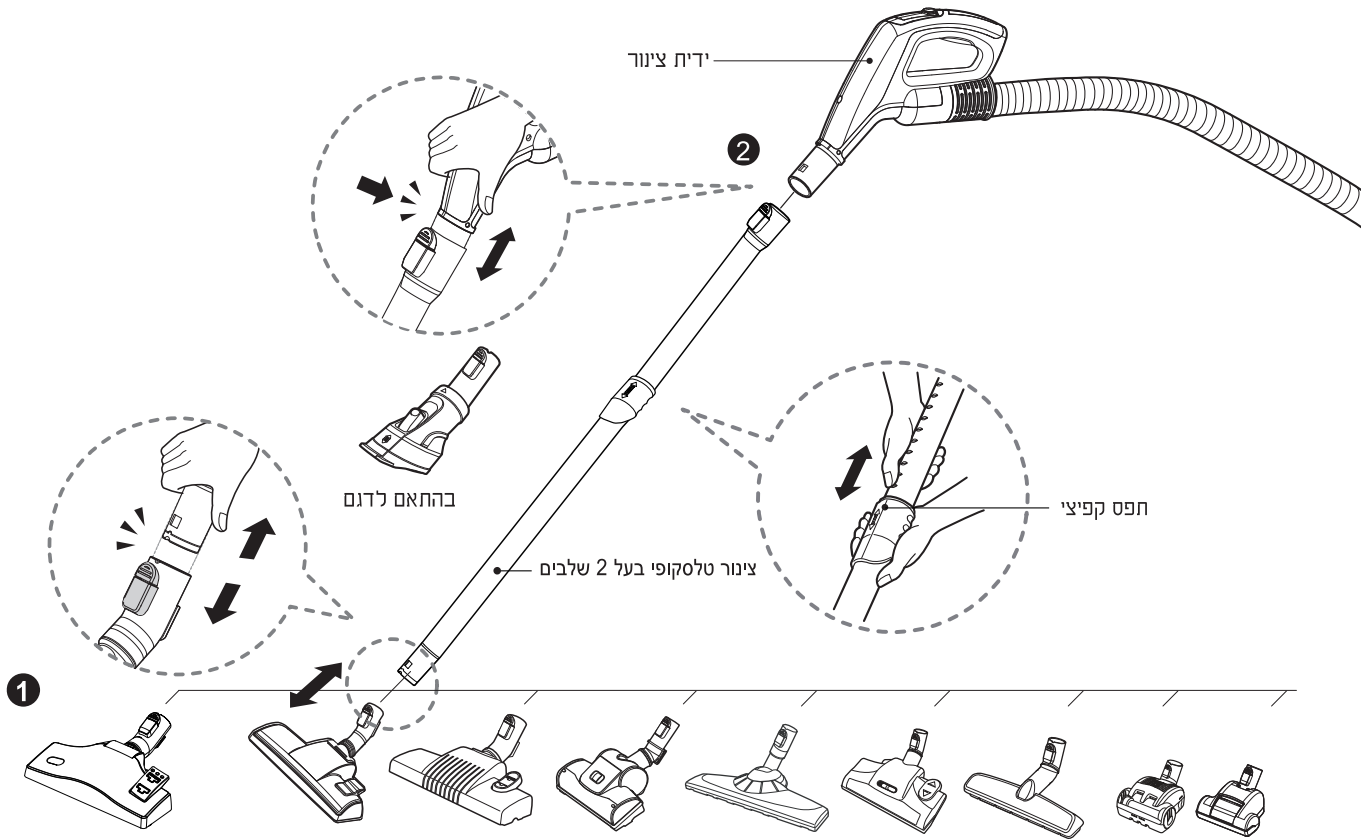
1 פייה לניקוי שטיח ורצפה

- אחוז בנעילת הקפיץ כדי להאריך את הצינור.
- דחוף החוצה את הצינור לאורך הרצוי.
- לקיצור, לחץ על לחצן הנעילה ומשוך אל הצינור.

דחפו את הפייה לתוך הצינור הגל'סקופי.

אופן השימוש הרכבת שואב האבק

צינור מסוג החלקה עם צינור טלסקופי בעל 2 שלבים



1 פייה לניקוי שטיח ורצפה

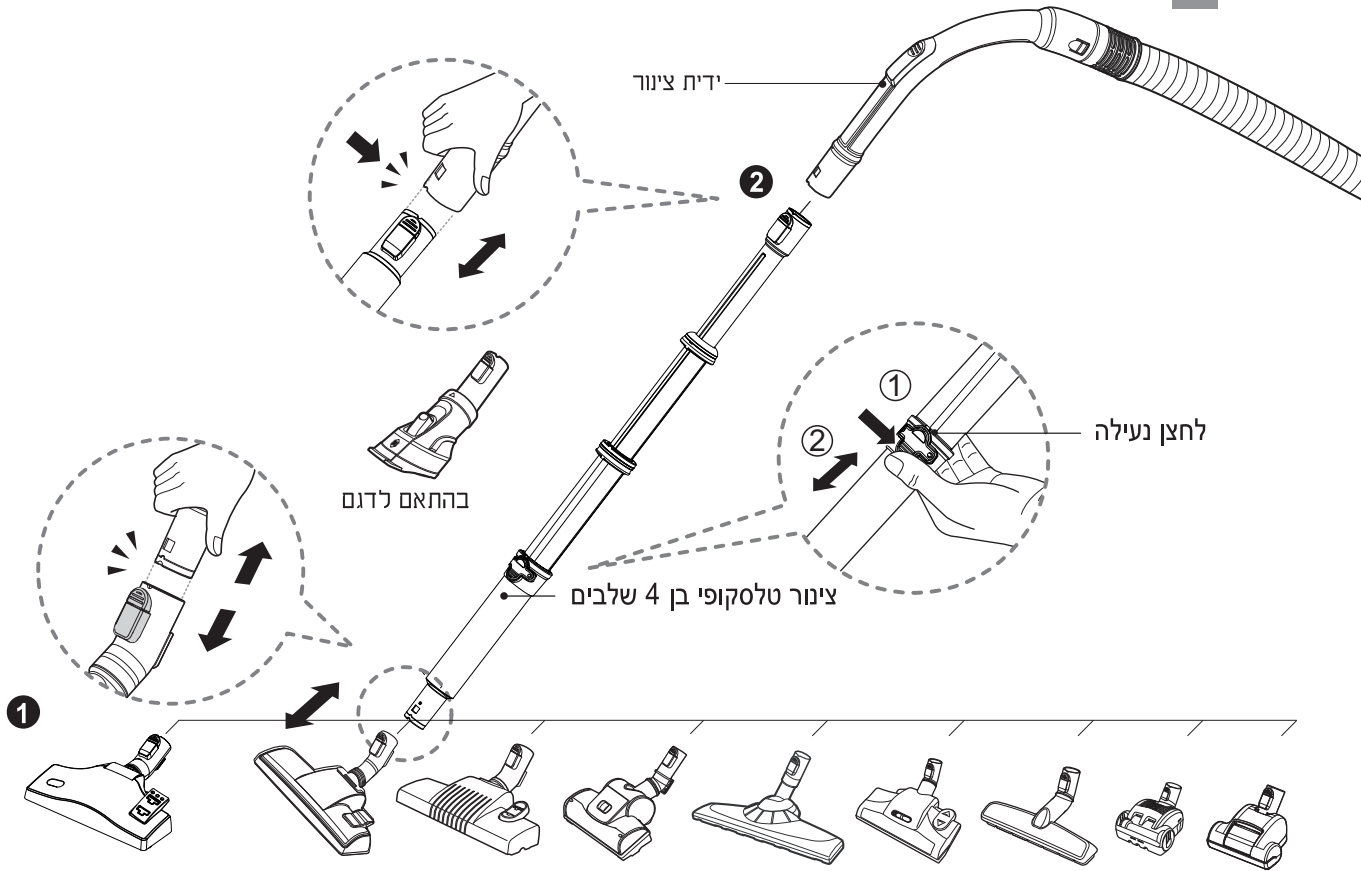
דחפו את הפייה לתוך הצינור המל'סקופי.

2 צינור מל'סקופי

- דחפו את הצינור המל'סקופי לתוך ידית הצינור בחוזקה.
- תפסו את התפס הקפיצי.
- משכו את הצינור לאורך הרצוי

אופן השימוש הרכבת שואב האבק

סוג סיבובי עם צינור טלסקופי בן 4 שלבים.



2 צינור טלסקופי

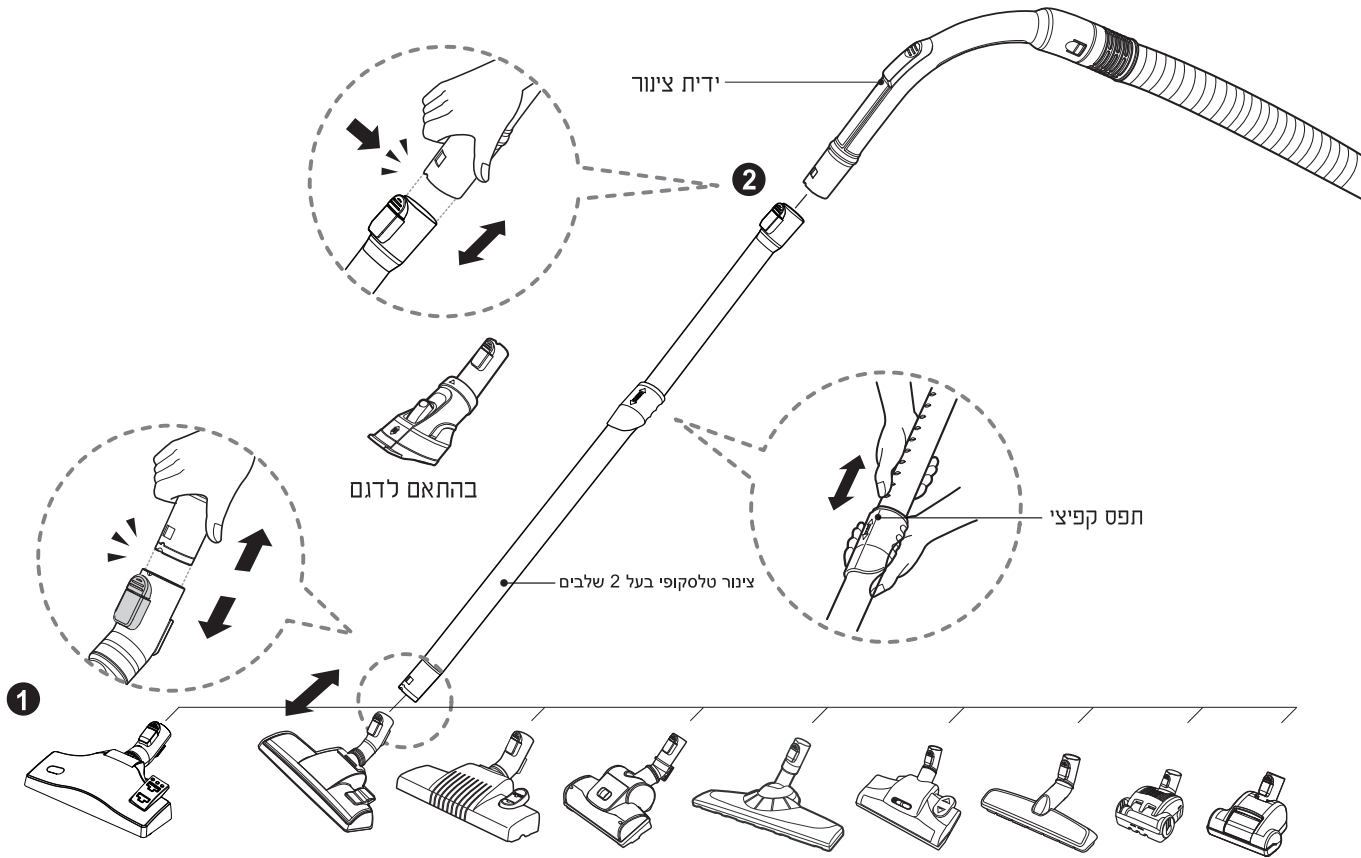
1 פייה לניקוי שטיח ורצפה

- אחוז בנעילת הקפיץ כדי להאריך את הצינור.
- דחוף החוצה את הצינור לאורך הרצוי.
- לקיצור, לחץ על לחצן הנעילה ומשוך אל הצינור.

דחוף את הפיה את הצינור הטלסקופי.

אופן השימוש הרכבת שואב האבק

סוג סיבובי עם צינור טלסקופי בעל 2 שלבים.



2 צינור גל'סקופי

1 פייה לניקוי שמיח ורצפה

- דחוף את הצינור הטלסקופי בחוזקה אל ידית הצינור.
- אחוז בנעילת הקפיץ כדי להרחיב.
- דחוף החוצה את הצינור לאורך הרצוי.

דחוף את הפיה את הצינור הטלסקופי

הוראות בטיחות חשובות

זהירות

- אל תשתמשו כאשר אחד מן הפתחים חסום. שמרו על הפתחים מפני אבק, סוך, שיער או כל העלול להפחית את זרימת האוויר. אי ביצוע הוראה זו עלול לגרום לנזק למכשיר.
- אל תשתמשו בשואב האבק ללא מיכל אבק ו / או מסנן במקומם. אי ביצוע הוראה זו עלול לגרום לנזק למכשיר.
- אל תשתמשו בשואב האבק כדי לשאוב חפצים חדים וקשים, צעצועים קטנים, סיכות, מהדקים וכד'. הם עלולים לגרום לנזק למכשיר או מיכל האבק.
- אחסנו את שואב האבק בחוץ הבית. שמרו על שואב האבק הרחק מהדרך אחרי שימוש כדי למנוע תאונות.
- שואב האבק הזה אינו מיועד לשימושם של ילדים או על אנשים מוגבלים ללא השנחה. אי ביצוע הוראה זו עלול לגרום לפגיעה אישית או נזק למכשיר.
- יש להשתמש אך ורק בחלקים המיוצרים או מומלצים לשימוש על ידי סוכני השירות של LG Electronics. אי ביצוע הוראה זו עלול לגרום לנזק למכשיר.
- יש להשתמש בשואב האבק אך ורק בהתאם לתואר בחוברת זו. יש להשתמש אך ורק באביזרים המומלצים או מאושרים על ידי LG. אי ביצוע הוראה זו עלול לגרום לפגיעה אישית או נזק למכשיר.
- למינעת פגיעה אישית וסכנת נפילה של שואב האבק בעת יקוי מדרגות, הציבו את שואב האבק במדרגה נמוכה ולשאוב את המדרגות שמעליו. אי ביצוע הוראה זו עלול לגרום לפגיעה אישית או נזק למכשיר.
- יש להשתמש באביזרי הפיח במורה של ספה (Sofa Mode). אי ביצוע הוראה זו עלול לגרום לנזק למכשיר.
- יש להבטיח שהמסננים (מסנן הפליטה ומסנן בטיחות המונע יבשים לגמרי לפני שמחזירים אותם בחזרה לשואב האבק. אי ביצוע הוראה זו עלול לגרום לנזק למכשיר.
- אסור ליבש את המסנן בחנוור או במיקרוגל. אי ביצוע הוראה זו עלול לגרום לסכנת אש.
- אסור ליבש את המסנן במכונת ייבוש. אי ביצוע הוראה זו עלול לגרום לסכנת אש.
- אסור ליבש את המסנן ליד אש. אי ביצוע הוראה זו עלול לגרום לסכנת אש.
- תמיד נקו את מיכל האבק אחרי שאיבת תכשיר לניקוי שפחים, או מרענים, פורדות ואבקות דקות. חומרים אלה עלולים לחסום את המסננים, להפחית את זרימת האוויר, ולגרום לנזק לשואב האבק. אי ניקוי מיכל האבק עלול לגרום לנזק בלתי הפיך לשואב האבק. (בהתאם לדגם)
- אין לאחוז בידית המיכל כאשר מעבירים את שואב האבק. גוף השואב עלול ליפול כאשר מפרידים את המיכל והגוף. אי ביצוע הוראה זו עלול לגרום לפגיעה אישית או נזק למכשיר.
- יש לאחוז בידית נשיאה כאשר מעבירים את שואב האבק. (בהתאם לדגם)
- אם אחרי התרוקנות מיכל האבק, מחוון מצב מיכל האבק מראה אדום, נקו את מיכל האבק. אי ביצוע הוראה זו עלול לגרום לנזק למכשיר. (בהתאם לדגם)
- אל תניחו חפצים כלשהם בחוץ הפתחים. אי ביצוע הוראה זו עלול לגרום לנזק למכשיר.

מתג ניתוק חרמי :

שואב האבק הזה מצויד במתג ניתוק חרמי המיועד להגן עליו במקרה של התחממות יתר של המונע. אם שואב האבק נכבה לפתע מעצמו, כבו את שואב האבק ונתקו אותו משקע החשמל שבקיר. נסו לגלות את הסיבה להתחממות היתר כגון שקית אבק מלאה, צינור יניקה חסום, או מסנן מלוכלך. אם מוצאים את הסיבות, טפלו בהן, והמתינו 30 דקות לפחות לפני השימוש בשואב האבק. לאחר 30 דקות, חברו את התקע לשקע החשמל שבקיר והדליקו את שואב האבק.

הוראות בטיחות חשובות

נא לקרוא את כל ההוראות הבאות לפני השימוש בשואב האבק הזה, על מנת למנוע סכנת אש, הלם חשמלי, פציעה אישית או נזק למכשיר, בעת השימוש בשואב האבק. חוברת זו אינה כוללת את כל המצבים האפשריים שעלולים לקרות. חמיד התקשרו לסוכן השירות שלך, או ליצרן בקשר לבעיות שאתם לא מבינים. מכשיר זה תואם להנחיות ה-EC הבאות: - Low Voltage - EMC/93/68/EEC, Directive-73/23/RV, Directive-EMC-EEC336/89.

זה סימן החרעה.

סימן זה מחריע לכם על אפשרות חשיפה לסכנה שעלולה להרוג או לפגוע בכם ובאחרים.
כל מידע במיוחד בא אחרי סימן החרעה, והמילה "אזהרה" או "זהירות". משמעותו של מילים אלה:



סימן זה מחריע לכם על אפשרות חשיפה לסכנת פגיעה חמורה או מוות.

אזהרה !

סימן זה מחריע לכם על אפשרות חשיפה לסכנת פציעה גופנית או נזק לרכוש.

זהירות !

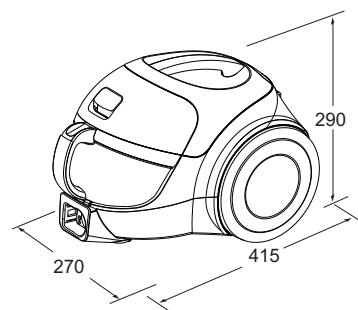
אזהרה !

- אין לגרור או לקחת את כבל החשמל, להשתמש בו כידית, או למשוך סביב קצוות חדים או פינות. אל תעבירו את שואב האבק מעל הכבל. שמרו על הכבל הרחק ממטמחים חמים. אי ביצוע הוראה זו עלול לגרום להלם חשמלי, או פציעה אישית, או אש, או נזק למכשיר.
- השנינו על ילדים קטנים כדי לוודא כי אינם משחקים במכשיר זה. הקפידו במיוחד בעת השימוש בקרבת ילדים. אי ביצוע הוראה זו עלול לגרום לפציעה אישית או נזק למכשיר.
- אין להשתמש במכשיר אם כבל החשמל או תקע פגום או לא תקין. אי ביצוע הוראה זו עלול לגרום לפציעה אישית או נזק למכשיר. במקרים אלה, התקשרו לסוכן שירות של LG Electronics כדי למנוע סכנה.
- אין להשתמש בשואב האבק אם הוא היה נמצא במים. אי ביצוע הוראה זו עלול לגרום לפציעה אישית או נזק למכשיר. במקרים אלה, התקשרו לסוכן שירות של LG Electronics כדי למנוע סכנה.
- יש לנתק את שואב האבק מהחשמל לפני השירות או ניקוי המכשיר או כאשר שואב האבק אינו בשימוש. אי ביצוע הוראה זו עלול לגרום להלם חשמלי או פציעה אישית.
- אין להשתמש בשואב האבק כדי להרים דבר הנמצא עדיין בבעירה או מעלה עשן, כגון סיגריות או אפר חם. אי ביצוע הוראה זו עלול לגרום למוות, אש או הלם חשמלי.
- אין לשאוב חומרים דליקים או נפיצים כגון נסולין, בנזן, מדללים, ופרופן (נזלים או גזים) הענשן מהחומרים האלה יכול ליצור סכנת אש או פיצוץ. אי ביצוע הוראה זו עלול לגרום למוות או פציעה אישית.
- אל תמפלו בתקע או בשואב האבק בידיים רטובות. אי ביצוע הוראה זו עלול לגרום למוות או הלם חשמלי.
- אל תנתקו מן החשמל באמצעות משיכת הכבל. אי ביצוע הוראה זו עלול לגרום לנזק למכשיר או הלם חשמלי. לניתוק, אחזו בתקע, לא בכבל.
- הרחיקו שיער, לבוש רפוי, אצבעות וכל חלק גוף אחר מן הפתחים והחלקים הנעים. אי ביצוע הוראה זו עלול לגרום להלם חשמלי או פציעה אישית.
- תיקונים למכשירים אלקטרוניים חייבים להתבצע אך ורק על ידי מוכנא מוסמך. תיקונים בלתי נכונים עלולים לגרום לסכנות חמורות למשתמש.
- אין לחבר את התקע לשקע החשמל אם בקרת העוצמה אינה במצב OFF (כבוי). אי ביצוע הוראה זו עלול לגרום לפציעה אישית או נזק למכשיר. (בהתאם לדגם)
- ושימרו על ילדים הרחק, ושימו לב למחסומים כאשר מגלגלים את כבל החשמל כדי למנוע פציעה אישית. הכבל נע במהירות בעת הגלגול. (בהתאם לדגם)
- יש בצינור כבלים חשמליים. אין להשתמש בצינור אם הוא ניזוק, חתוך או מוקב. אי ביצוע הוראה זו עלול לגרום למוות או הלם חשמלי. (בהתאם לדגם)
- אין להמשיך להשתמש בשואב האבק אם פריט כלשהו חסר או ניזוק. אי ביצוע הוראה זו עלול לגרום לפציעה אישית או נזק למכשיר. במקרים אלה, התקשרו לסוכן שירות של LG Electronics כדי למנוע סכנה.
- אין להשתמש בכבל מאריך עם שואב האבק. אי ביצוע הוראה זו עלול לגרום לסכנת אש או נזק למכשיר.
- השתמשו במתח חשמלי מתאים. שימוש במתח חשמלי בלתי מתאים עלול לגרום לנזק למנוע ופגיעה למשתמש. מתח חשמלי מתאים רשום על התווית בתחתית שואב האבק.
- כבו את כל הבקורות לפני הניתוק מן החשמל. אי ביצוע הוראה זו עלול לגרום להלם חשמלי או פציעה אישית.
- אין להחליף את התקע בשום אופן. אי ביצוע הוראה זו עלול לגרום להלם חשמלי, או פציעה אישית או נזק למכשיר. אם מחליפים את התקע, זה עלול לגרום למוות. אם התקע אינו מתאים, התקשרו למוכנא מוסמך כדי להתקין את השקע המתאים.

חוכן העניינים

- 3 מפרט
- 4~5 הוראות בטיחות חשובות
- 6 אופן השימוש
- 6~10 הרכבת שואב האבק
- 11~12 הפעלת שואב האבק
- 13~14 שימוש בפיהה לניקוי שטיח ורצפה קשה
- 15 באמצעות הפיה לכל סוגי הרצפה, פיית המיני טורבינה והפיה לניקוי שערות של חיות מחמד
- 16~17 שימוש באביזרי הפיות
- 18 ריקון מיכל האבק
- 19 ניקוי מיכל האבק
- 20 ניקוי מפריד האבק
- 21 ניקוי מסנן הפל'טה
- 22 מהל'נעות במקרה ששואב האבק אינו פועל ?
- 22 מהל'נעות במקרה שביצועי השאיבה פוחתים ?

מפרט



גודל: 415 (מ"מ) x 270 (מ"מ) x 290 (מ"מ) = H x W x L



LG

Life's Good

הוראות הפעלה

שואב אבק ציקל'ון דגם חדש

מידע זה מכלי הוראות חשובות לשימוש בטיחותי בשואב האבק ותחזוקתו .
במיוחד קראו בבקשה את כל המידע בדף 4 - 5 ל'בטיחותכם .
שמרו בבקשה את ההוראות במקום נגיש בקלות לצורך עיון חוזר בעתיד .

VC-5382NH