



# OWNER'S MANUAL

# NEW TYPE CYCLONE VACUUM CLEANER

This information contains important instructions for the safe use and maintenance of the vacuum cleaner. Especially, please read all of the information on page 3, 4, 5 for your safety. Please keep this manual in an easily accessible place and refer to it anytime.

VK8914DCAQ

P/No.: MFL62076033

[www.lg.com](http://www.lg.com)

# Table of contents

<b>Important safety instructions .....</b>	<b>3~5</b>
<b>How to use .....</b>	<b>6~19</b>
Assembling vacuum cleaner .....	6~7
Operating vacuum cleaner .....	8
Using carpet and floor nozzle / Hard floor nozzle .....	9
Using the accessory nozzles.....	10
Using the power punch nozzle.....	11~14
Emptying dust tank .....	15
Cleaning dust tank .....	16
Cleaning air filter and motor safety filter .....	17
How to assemble dust separator .....	18
Cleaning exhaust filter .....	19
<b>What to do if your vacuum cleaner does not work .....</b>	<b>20</b>
<b>What to do when suction performance decreases .....</b>	<b>20</b>

# IMPORTANT SAFETY INSTRUCTIONS

Read and follow all instructions before using your vacuum cleaner to prevent the risk of fire, electric shock, personal injury, or damage when using the vacuum cleaner. This guide do not cover all possible conditions that may occur. Always contact your service agent or manufacturer about problems that you do not understand. This appliance complies with the following EC Directives :-2006/95/EC Low Voltage Directive -2004/108/EC EMC Directive.



This is the safety alert symbol.

This symbol alerts you to potential hazards that can kill or hurt you and others.

All safety messages will follow the safety alert symbol and either the word "WARNING" or "CAUTION."

These words mean:



## WARNING

This symbol will alert you to hazards or unsafe practices which could cause serious bodily harm or death.



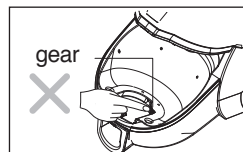
## CAUTION

This symbol will alert you to hazards or unsafe practices which could cause bodily injury or property damage.



## WARNING

- **Do not plug in if control switch is not in OFF position.**  
Personal injury or product damage could result.
- **Keep children away and beware of obstructions when rewinding the cord to prevent personal injury**  
The cord moves rapidly when rewinding.
- **Disconnect electrical supply before servicing or cleaning the unit or when cleaner is not in use.**  
Failure to do so could result in electrical shock or personal injury.
- **Do not use vacuum cleaner to pick up anything that is burning or smoking such as cigarettes, or hot ashes.**  
Doing so could result in death, fire or electrical shock.
- **Do not vacuum flammable or explosive substances such as gasoline, benzene, thinners, propane (liquids or gases).**  
The fumes from these substances can create a fire hazard or explosion. Doing so could result in death or personal injury.
- **Do not handle plug or vacuum cleaner with wet hands.**  
Doing so could result in death or electrical shock.
- **Do not unplug by pulling on cord.**  
Doing so could result in product damage or electrical shock. To unplug, grasp the plug, not the cord.
- **Keep hair, loose clothing, fingers, and all parts of the body away from openings and moving parts.**  
Failure to do so could result in electrical shock or personal injury.
- **Do not pull or carry by cord, use cord as a handle, close a door on cord, or pull cord around sharp edges or corners. Do not run vacuum cleaner over cord. Keep cord away from heated surfaces.**  
Failure to do so could result in electrical shock or personal injury or fire or product damage.
- **The hose contains electrical wires. Do not use it if it is damaged, cut or punctured.**  
Failure to do so could result in death, or electrical shock.
- **Do not allow to be used as toy. Close attention is necessary when used by or near children.**  
Personal injury or product damage could result.
- **Do not use the vacuum cleaner if the power cord or plug is damaged or faulty.**  
Personal injury or product damage could result. In these cases, contact LG Electronics Service Agent to avoid hazard.
- **Do not use vacuum cleaner if it has been under water.**  
Personal injury or product damage could result. In these cases, contact LG Electronics Service Agent to avoid hazard.
- **Do not continue to vacuum if any parts appear missing or damaged.**  
Personal injury or product damage could result. In these cases, contact LG Electronics Service Agent to avoid hazard.
- **Do not use an extension cord with this vacuum cleaner**  
Fire hazard or product damage could result.
- **Using proper voltage.**  
Using improper voltage may result in damage to the motor and possible injury to the user. Proper voltage is listed on the bottom of vacuum cleaner.
- **Turn off all controls before unplugging.**  
Failure to do so could result in electrical shock or personal injury.
- **Do not change the plug in any way.**  
Failure to do so could result in electrical shock or personal injury or product damage. Doing so result in death. If plug does not fit, contact a qualified electrician to install the proper outlet.
- **Repairs to electrical appliances may only be performed by qualified service engineers.**  
Improper repairs may lead to serious hazards for the user.
- **Do not put fingers near the gear.**  
Failure to do so could result in personal injury.



# IMPORTANT SAFETY INSTRUCTIONS

## WARNING

- **When cleaning the exterior of the nozzle, always unplug the power and do not use volatile substance.**  
It can cause electric shock and exterior damage.
  - **Unlike the hose of the existing cleaner, high current flows through the hose, this can cause fire and electric shock.**
  - **Make sure that the children, the elderly or people who does not know how to operate the cleaner, do not use the product.**
  - **When the circuit breaker operated when the power is turned on or when using the power punch nozzle, immediately stop using the product and contact the AS center.**  
It can cause electric shock may occur.
  - **This hose contains electrical connections:**
    - Do not use to suck up water;
    - Do not immerse in water for cleaning;
    - The hose should be checked regularly and must not be used if damaged.
- <Using Power punch nozzle, Warning>**
- **Please use the product for bedclothes, mattresses, pillows, sofa fabrics.**  
It can damage the floor because of vibration
  - **Do not pause it for too long or use it on the same place repeatedly.**  
Vibration causes bedding damage.
  - **When vibration is operating, do not put your hand or foot on the floor directly.**  
It can cause an abrasion or a scratch.
  - **Do not clean the suction part with water.**  
There can be an electric shock.
  - **Do not wash the outside of the suction part or the bottom part with detergent.**  
It can damage the product or create a danger of electric shock.
  - **When cleaning the outside of the nozzle, be sure to unplug it and do not use a volatilizing material.**  
It can be the reason of electric shock or damage to the outside.
  - **Do not use it for other objects(massage etc) except for vacuuming disassembling the suction cover.**  
There can be the product damage or abrasion.
  - **When power is on, do not put your hand into the suction part right after the cleaning is done.**  
There can be an abrasion by vibration.

# IMPORTANT SAFETY INSTRUCTIONS

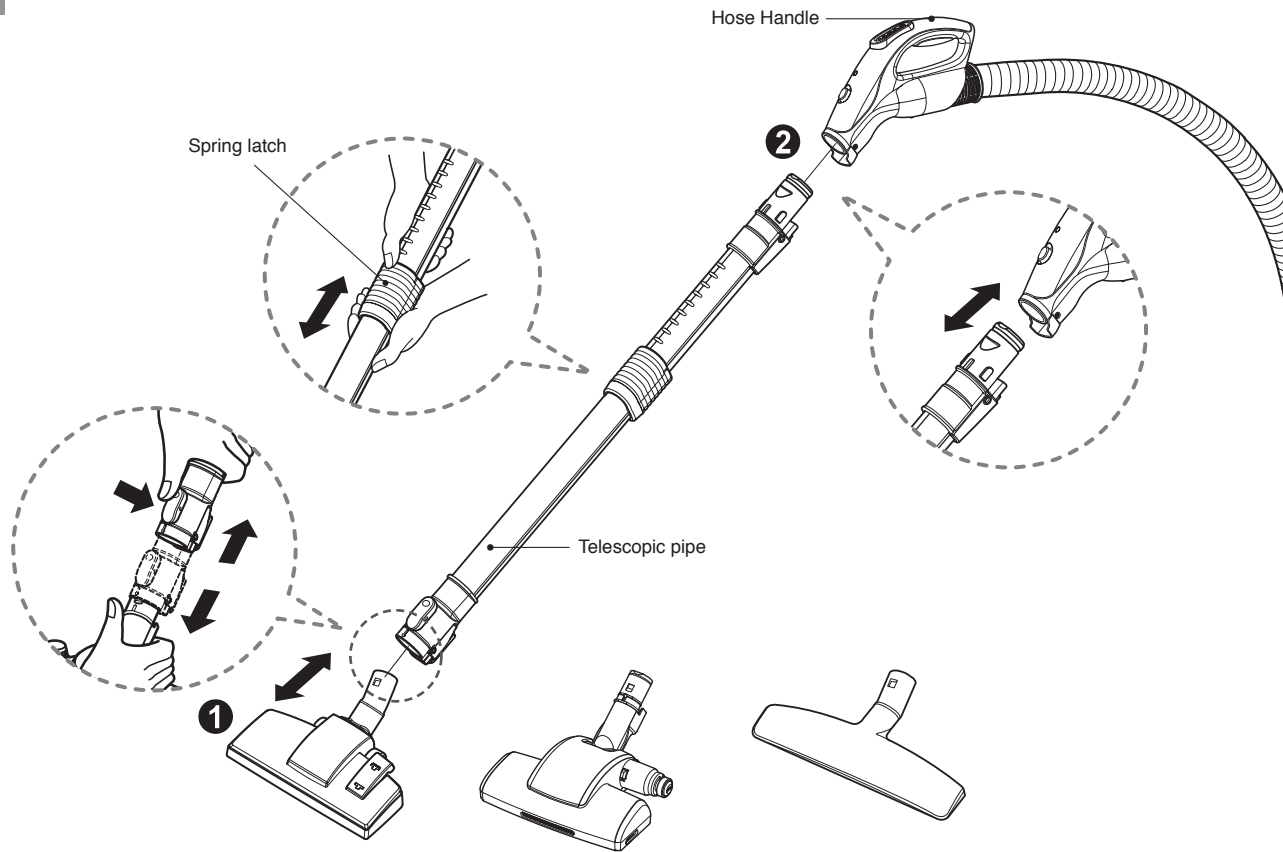
## CAUTION

- **Do not put any objects into openings.**  
Failure to do so could result in product damage.
  - **Do not use with any opening blocked: keep free of dust, lint, hair, and anything that may reduce air flow.**  
Failure to do so could result in product damage.
  - **Do not use vacuum cleaner without dust tank and/or filters in place.**  
Failure to do so could result in product damage.
  - **Always clean the dust bin after vacuuming carpet cleaners or fresheners, powders and fine dust.**  
These products clog the filters, reduce airflow and can cause damage to the cleaner. Failure to clean the dust bin could cause permanent damage to the cleaner.
  - **Do not use vacuum cleaner to pick up sharp hard objects, small toys, pins, paper clips, etc.**  
They may damage the cleaner or dust bin.
  - **Store the vacuum cleaner indoors.**  
Put the vacuum cleaner away after use to prevent tripping over it.
  - **The vacuum cleaner is not intended to use by young children or infirm people without supervision.**  
Failure to do so could result in personal injury or product damage.
  - **Only use parts produced or recommended by LG Electronics Service Agents.**  
Failure to do so could result in product damage.
  - **Use only as described in this manual. Use only with LG recommended or approved attachments and accessories.**  
Failure to do so could result in personal injury or product damage.
  - **To avoid personal injury and to prevent the machine from falling when cleaning stairs, always place it at the bottom of stairs.**  
Failure to do so could result in personal injury or product damage.
  - **Use accessory nozzles in "MIN" mode.**  
Failure to do so could result in product damage.
  - **You should grasp the carrier handle when you are moving the vacuum cleaner.**
  - **If after emptying the dust tank the indicator light is on (red), clean the dust tank.**  
Failure to do so could result in product damage.
  - **Make sure the filters (exhaust filter and air filter) are completely dry before replacing in the machine.**  
Failure to do so could result in product damage.
  - **Do not dry the filter in an oven or microwave.**  
Failure to do so could result in fire hazard.
  - **Do not dry the filter in a clothes dryer.**  
Failure to do so could result in fire hazard.
  - **Do not dry near an open flame.**  
Failure to do so could result in fire hazard.
  - **If the power cord is damaged, it must be replaced by an approved LG Electronics Service Agent to avoid a hazard.**
  - **This appliance is not intended for use by persons (including children) with reduced physical, sensory or mental capabilities, or lack of experience and knowledge, unless they have been given supervision or instruction concerning use of the appliance by a person responsible for their safety.**  
Children should be supervised to ensure that they do not play with the appliance.
  - **The steam must not be directed towards equipment containing electrical components, such as the interior of ovens.**
- <Using Power punch nozzle, Warning>**
- **When cleaning bedclothes, be sure to connect the flat board.**  
If you do not attach the flat board and use the product, it can cause a noise and a change of the product.

### **Thermal protector :**

This vacuum cleaner has a special thermostat that protects the vacuum cleaner in case of motor overheating. If the vacuum cleaner suddenly shuts off, turn off the switch and unplug the vacuum cleaner. Check the vacuum cleaner for possible source of overheating such as a full dust tank, a blocked hose or clogged filter. If these conditions are found, fix them and wait at least 30 minutes before attempting to use the vacuum cleaner. After the 30 minute period, plug the vacuum cleaner back in and turn on the switch. If the vacuum cleaner still does not run, contact a qualified electrician.

# How to use Assembling vacuum cleaner

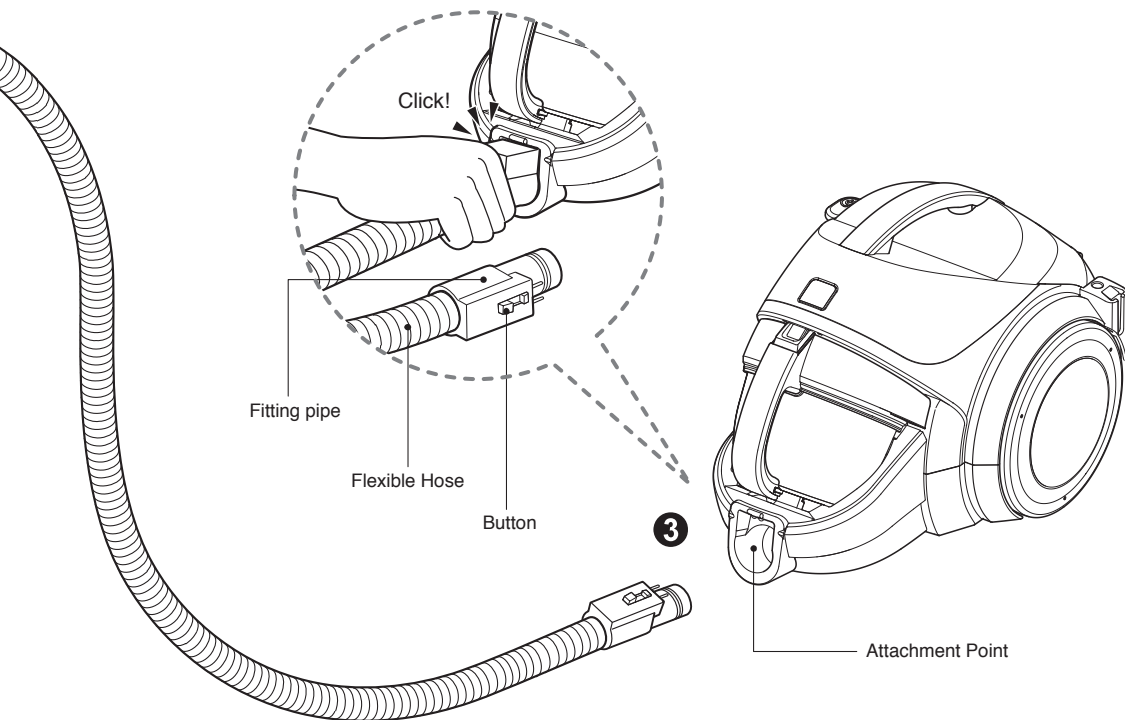


## 1 Carpet and floor nozzle

Push the nozzle into the telescopic pipe.

## 2 Telescopic pipe

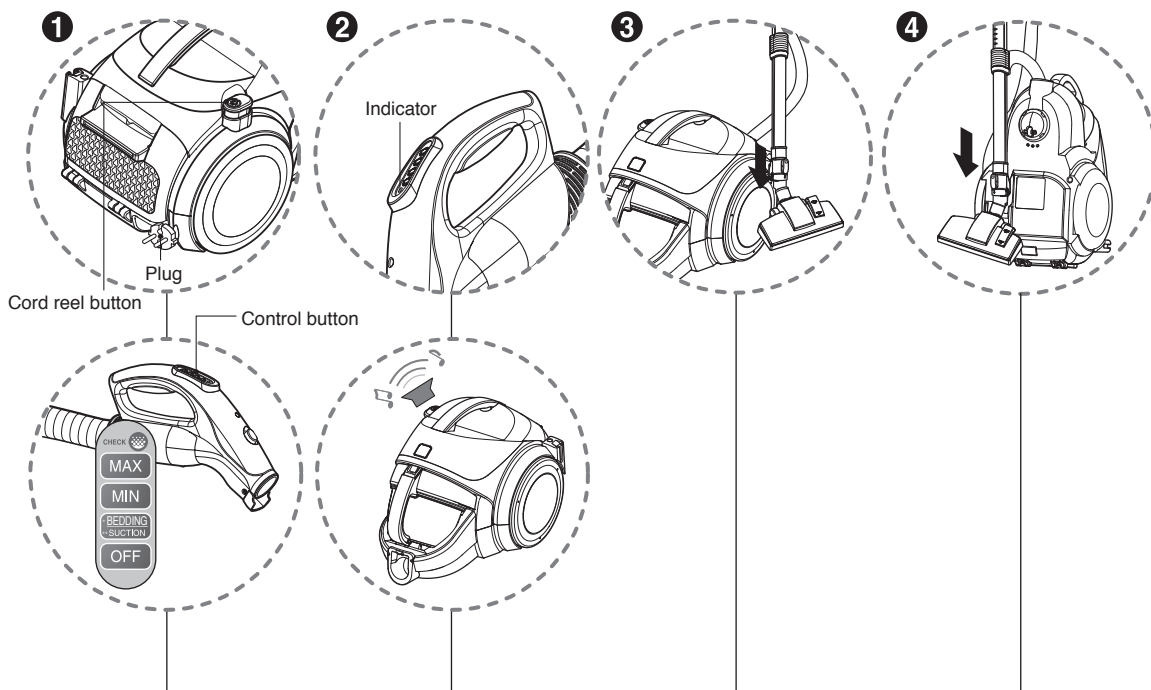
- Push telescopic pipe firmly into hose handle.
- Grasp the spring latch to expand.
- Pull out the pipe to desired length.



### 3 Connecting the hose to the vacuum cleaner

- Push the fitting pipe on the flexible hose into the attachment point on the vacuum cleaner.
- To remove the flexible hose from the vacuum cleaner, press the button situated on the fitting pipe, then pull the fitting pipe out of the vacuum cleaner.

# How to use Operating vacuum cleaner



## 1 How to operate

- Pull out the power cord to the desired length and plug into the socket.
- Press the control button of the hose handle to operate vacuum cleaner.
- To turn off, press the OFF button.
- Press the cord reel button to rewind the power cord after use.

## 2 Indicator and alarm sound

- The indicator light of the hose handle is on and alarm will sound when dust tank is full. After about 1 min 30 sec, vacuum cleaner will turn itself off and alarm will sound. Empty the dust tank and reuse the vacuum cleaner

## 3 Park mode

- To store during vacuuming, for example to move a small piece of furniture or a rug, use park mode to support the flexible hose and nozzle.
  - Slide the hook on the nozzle into the slot on the side of vacuum cleaner.

## 4 Storage

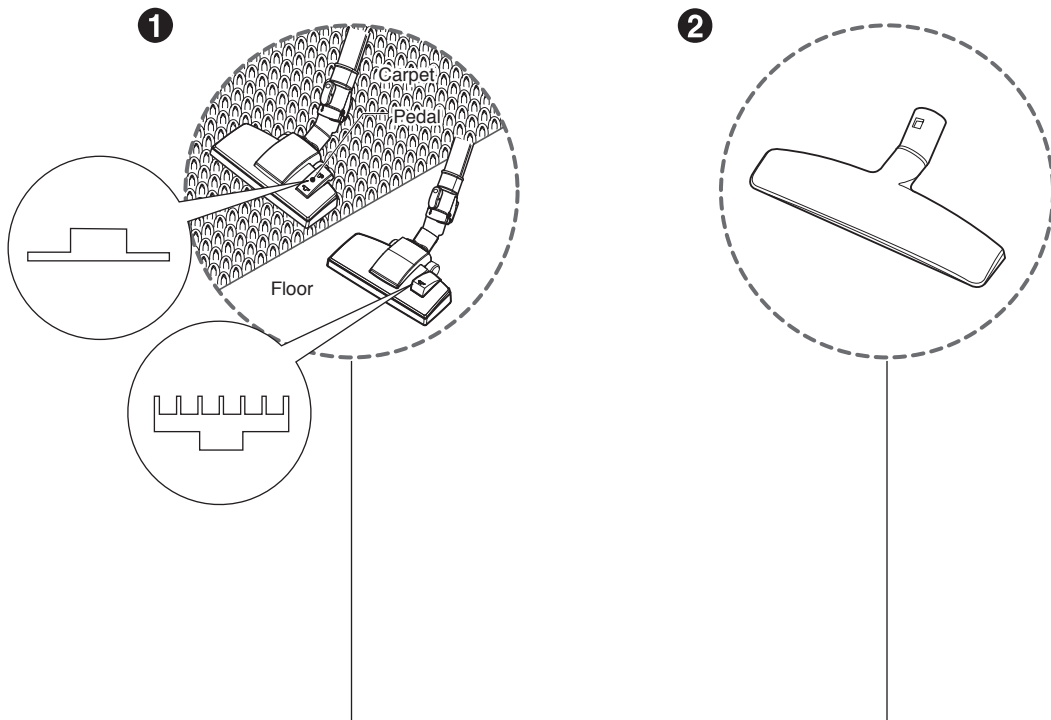
- When you have switched off and unplugged the vacuum cleaner, press the cord reel button to automatically rewind the cord.
- You can store your vacuum cleaner in a vertical position by sliding the hook on the nozzle into the slot on the underside of the vacuum cleaner.

### NOTICE



When indicator light flashes and alarm sounds :

1. Dust tank is full  
→ press the OFF button and empty dust tank
2. Power is on without dust tank  
→ press the OFF button and reattach dust tank
3. Rotating plate in the dust tank is restricted because of obstruction  
→ press the OFF button and remove obstruction

# How to use Using carpet and floor nozzle / Hard floor nozzle



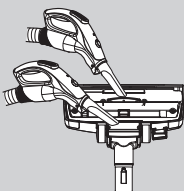
## 1 Carpet and floor nozzle

- **Two position nozzle**  
This is equipped with a pedal which allows you to alter its position according to the type of floor to be cleaned.
- **Carpet or rug position**  
Press the pedal (  ) to lower brush.
- **Hard floor position** (tiles, parquets floor)  
Press the pedal (  ) to lift the brush up.

## 2 Hard floor nozzle

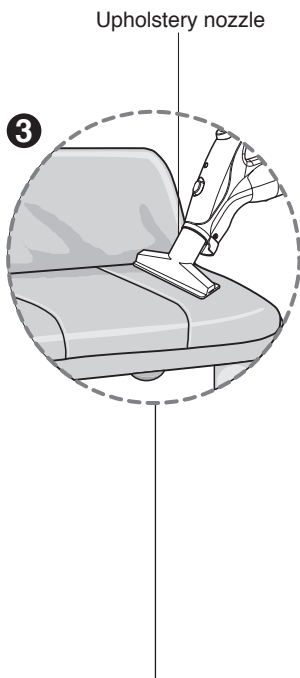
- Efficient cleaning of hard floors (wood, linoleum, etc)

### • Cleaning carpet and floor nozzle



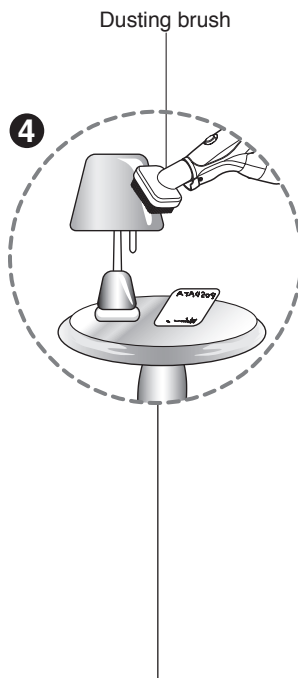
- Clean the hole and brush of nozzle.

# How to use Using the accessory nozzles



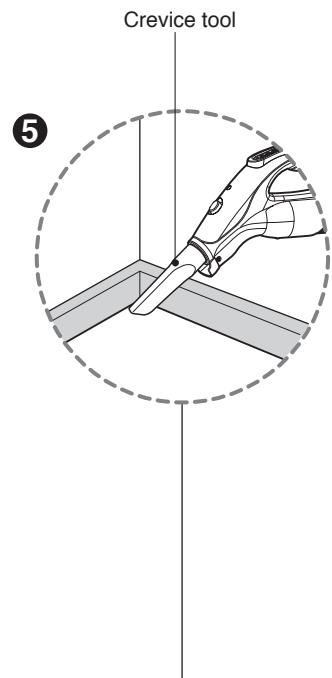
**3** Upholstery nozzle

Upholstery nozzle is for vacuuming upholstery, mattresses, etc.



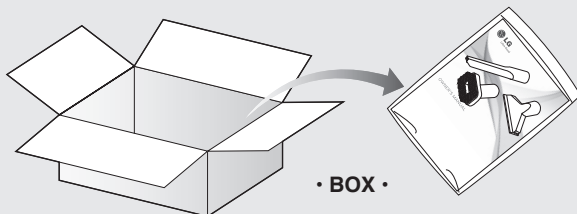
**4** Dusting brush

Dusting brush is for vacuuming picture frames, furniture frames, books and other irregular surfaces.



**5** Crevice tool

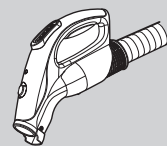
Crevice tool is for vacuuming in those normally hard-to-reach places such as reaching cobwebs, or between the cushions of a sofa.



• Accessory nozzles include in the "PE BAG" with owner's manual.

## NOTICE

Use accessory in the MIN mode.



# How to use Using the power punch nozzle

## Features

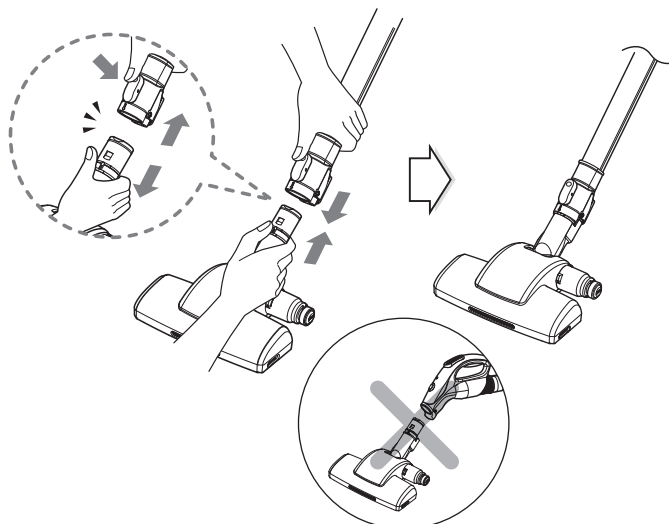
This nozzle picks up even dust inside through beating.  
The bottom part can be separated to be cleaned.  
Since the bottom does not stick to the surface, vacuuming is easy.

## How to use

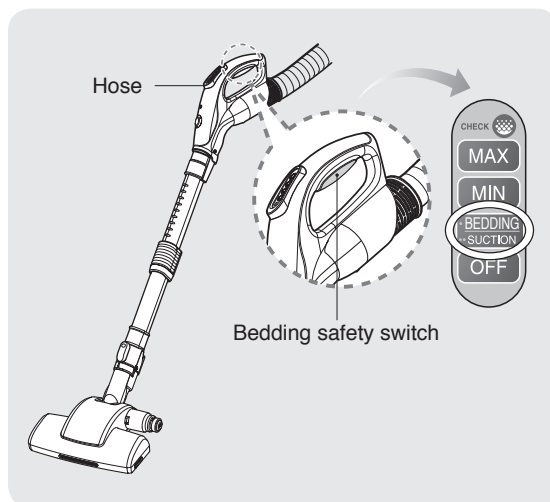
Follow the directions below for proper use.

## Assembly

Connect the nozzle to the telescopic tube.



Hose and bedding nozzle do not install.



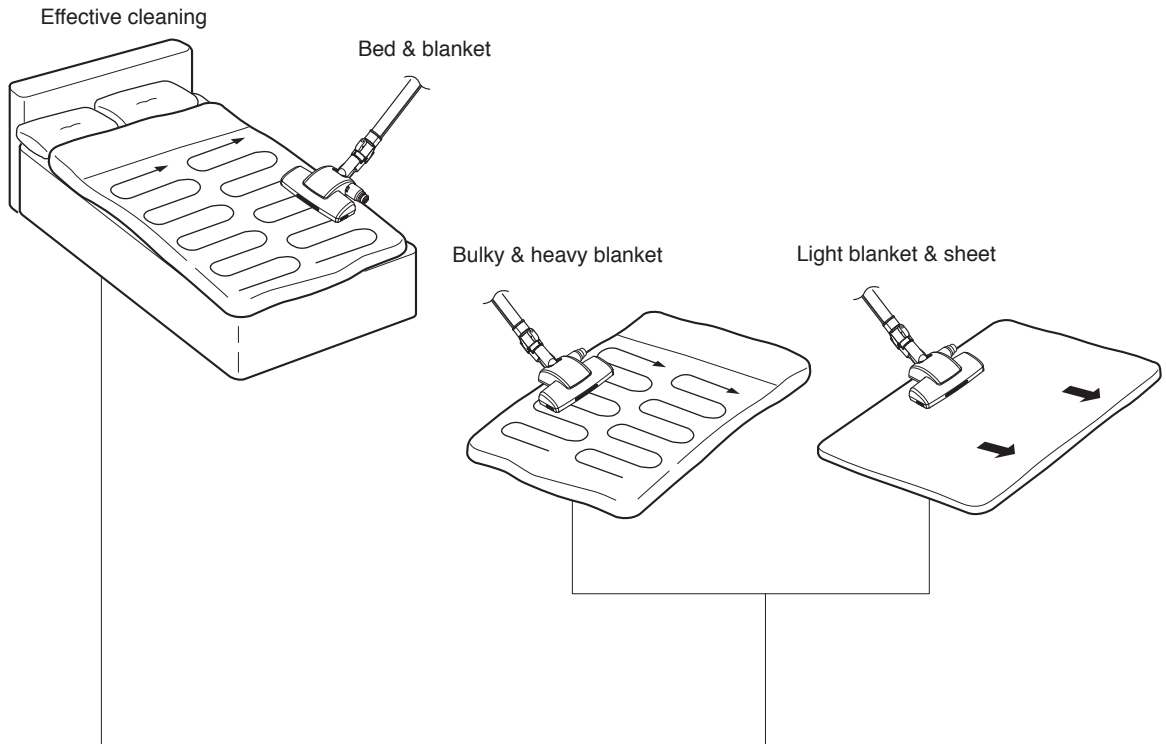
## Power punch nozzle

- Click 'bedding' on function button
- When installing bedding nozzle, if you push a button once, bedding nozzle vibration and suction will operate at the same time. If you push a button twice, bedding nozzle vibration will keep on and suction will stop.
- If you push quiet button which is during using function button, it operate as quiet mode, if you push another mode button, it operate as that mode. But bedding nozzle operation will go on.
- When vacuuming is done, push stop button to stop operating.

### ⚠ CAUTION

- When vacuuming bedding, hold the bedding safety switch. If you do not hold the bedding safety switch, power automatically will off in 30 seconds for safety. When using it again, push bedding button and hold the bedding safety switch.
- Do not disassemble the body because the body is constructed with very detailed components.

This power punch nozzle is for effective cleaning of beds and blankets to remove mites and dust.



### When using on the bed

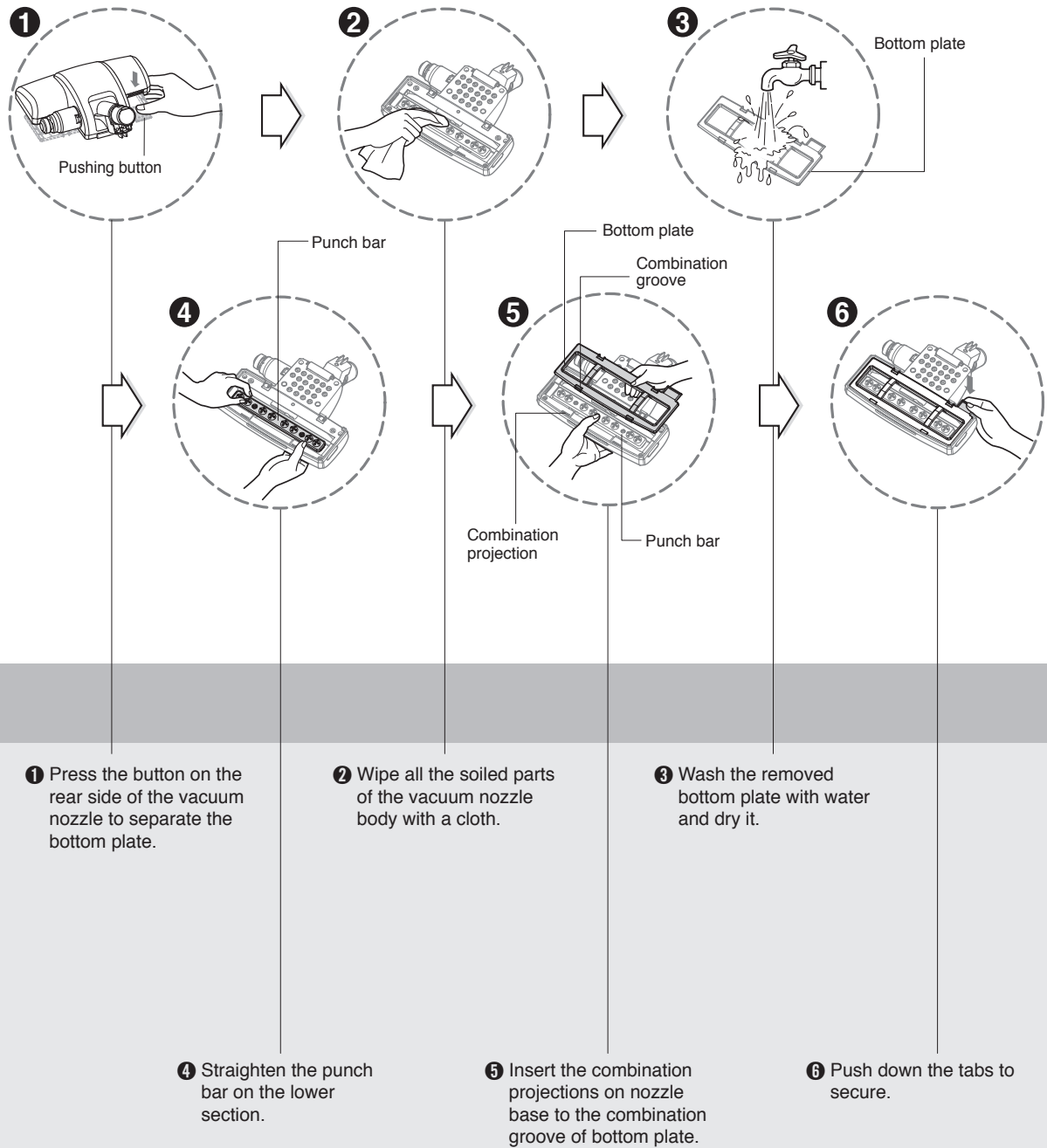
Lay out the blanket and vacuum it on the bed

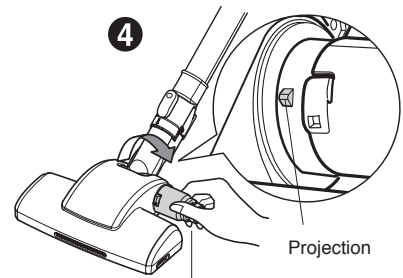
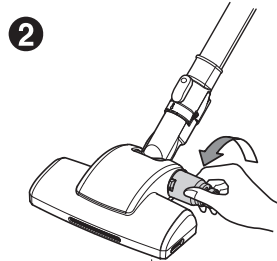
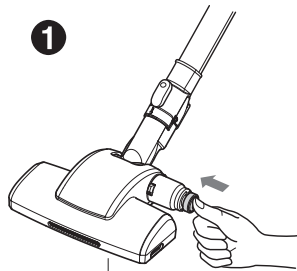
### When using on the floor

It is easier to clean a light blanket or sheet by pushing the nozzle in the direction of the arrow. To increase cleaning efficiency for light blankets, lay on top of a bulky blanket and then clean.

Follow the instruction below for through washing.

(Do not soak the entire body of the vacuum nozzle in water, it may cause the vibrator to malfunction)





**1** Push a button for 5 seconds if there is a lot of dust in extra dust tank.  
(Dust will be eliminated.)

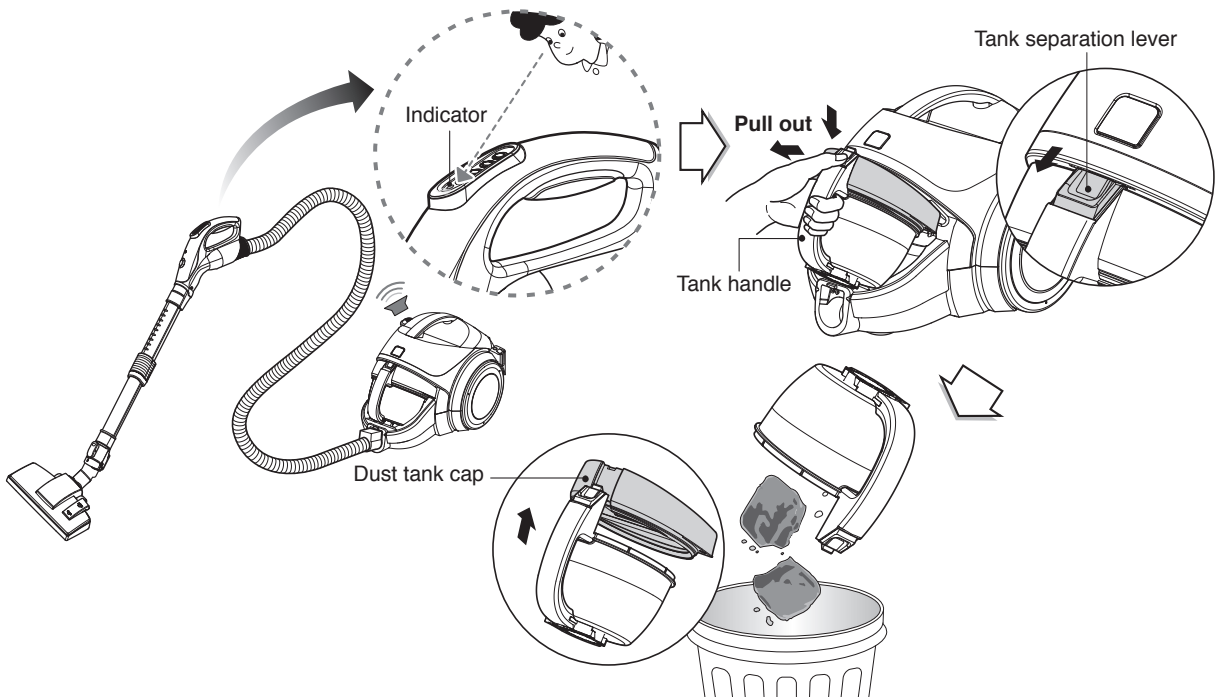
**2** When the dust is fully filled after cleaning, take the bin and turn it counterclockwise to disconnect.

**3** Waste the dust in the bin.

**4** Take the bin to fix into the projection part and then turn it clockwise to connect.

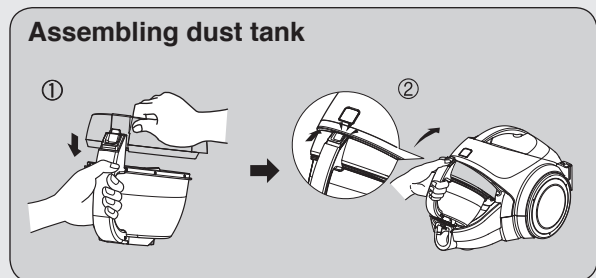
## How to use Emptying dust tank

Indicator on hose is flickering for 1 minute, it sounds “ding~ding” like a buzzer from vacuum body. In 30 seconds, suction power will decrease, it stops operating automatically.

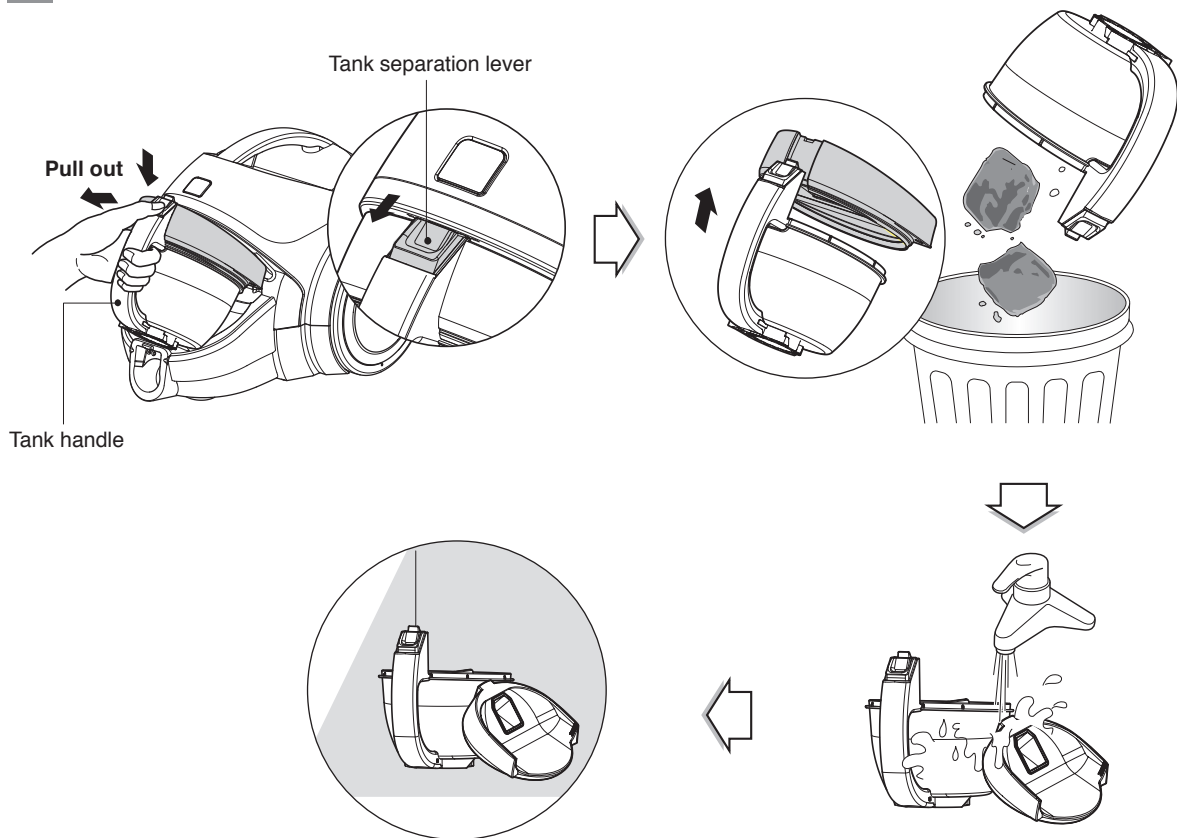


The dust tank needs emptying when indicator light is on.

- Turn off the vacuum cleaner and unplug it.
- Grasp the handle of the tank and then press the tank separation lever.
- Pull out the dust tank.
- Empty the tank and then assemble the dust tank as below.



## How to use Cleaning dust tank



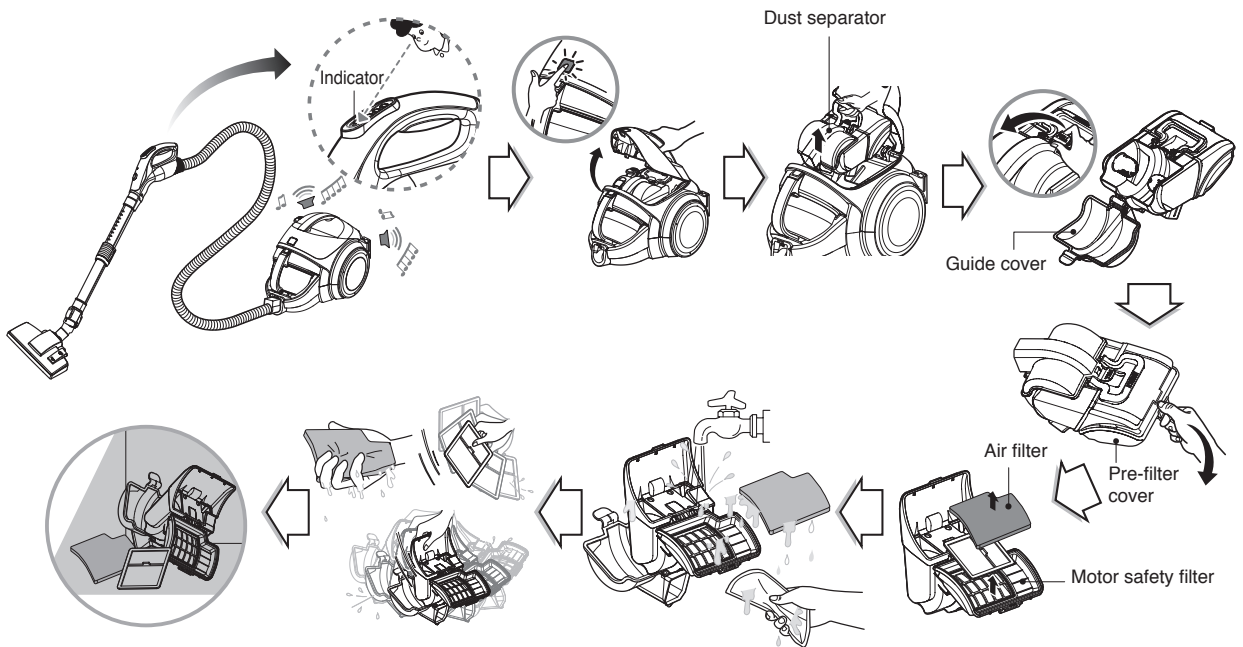
- Press tank separation button and pull out dust tank.
- Raise dust tank cap
- Dry fully in shade so that moisture is entirely removed.

### NOTICE

If suction power decreases or Indicator on hose flickers after cleaning dust tank, clean air filter and motor safety filter. → Next page

# How to use Cleaning air filter and motor safety filter

Indicator on hose is flickering for 1 minute, it sounds “Ddilililing ~ Dding~ ddilililing~” like a buzzer from vacuum body. In 30 seconds, suction power will decrease, it stops operating automatically.



If suction power is decreased after cleaning dust tank or indicator light is on, clean air filter and motor safety filter.

Air filter and motor safety filter are located at the up of vacuum cleaner in the above figure.

- Push the vacuum cover button, open the body cover.
- Hold dust separator handle and pull it upward.
- Open the guide cover by pulling the guide cover lever and remove the dust.
- Open prefilter cover.
- Pull out the air filter and motor safety filter.
- Clean air filter and motor safety filter with running water.
- Do not wash filters with hot water.
- Eliminate water thoroughly
- Dry it under well-ventilated shade for a day.
- The air filter and the motor safety filter should be cleaned as above the figure.

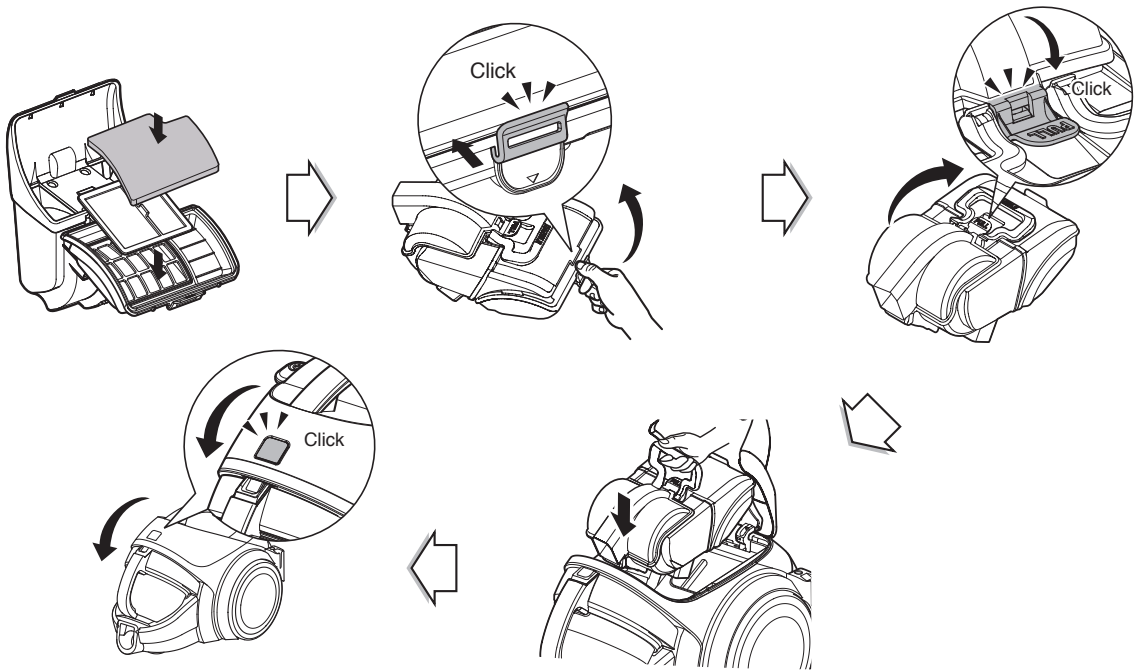
## NOTICE

If filters are damaged, do not use them.  
In this cases, contact LG Electronics  
Service Agent.  
Wash filters at least every 3 months.

# How to use

## How to assemble dust separator

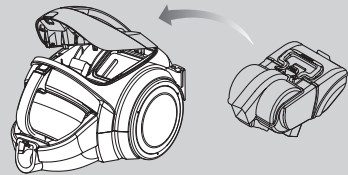
**⚠ CAUTION** Assembling will be conducted in opposite order of separation.  
Use the vacuum after assembling the dust separator fully.



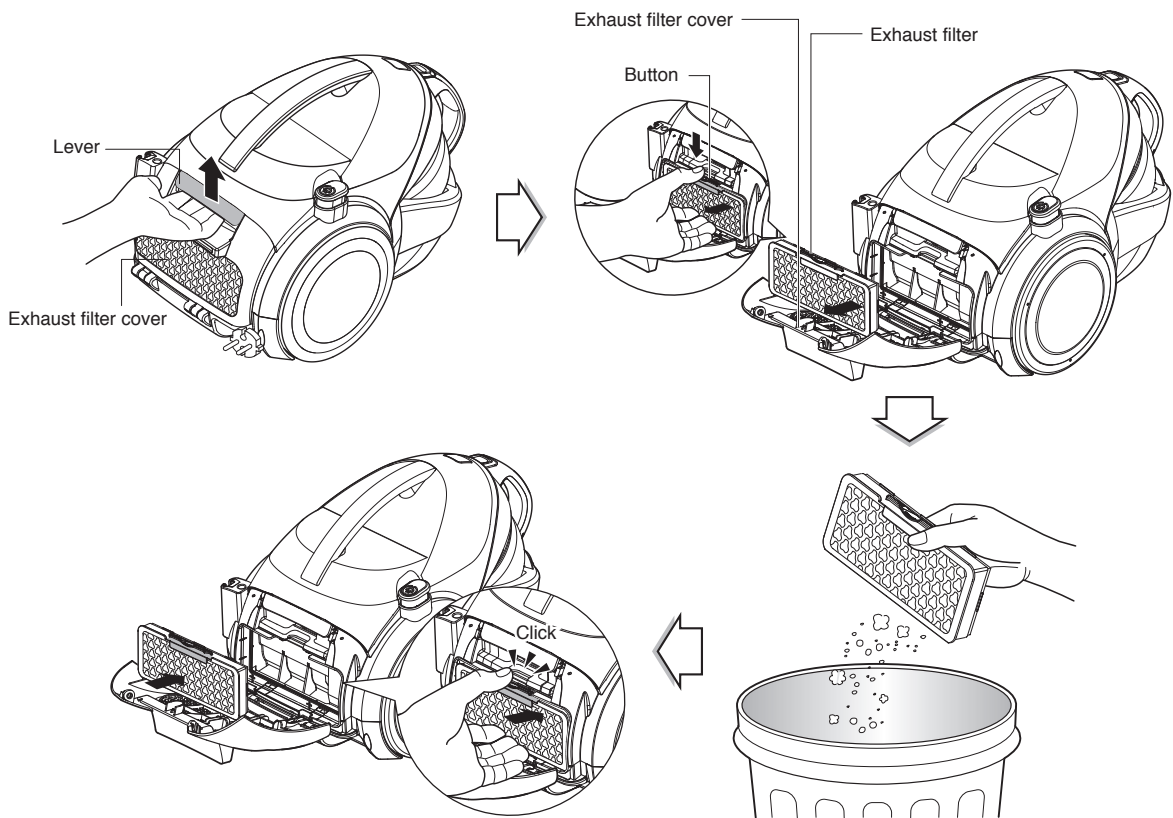
- Insert the air filter and motor safety filter.
- Close the filter cover.
- Close the dust separator cover.
- Hold the dust separator handle and put it down to connect it clearly.
- Close the vacuum cover.

### **⚠ CAUTION**

- If there is no dust separator or dust separator is not installed clearly, cover will not be closed.
- If it is not installed clearly, pull the dust separator out and re-assemble it.
- Do not operate the vacuum cleaner when the body cover is not close.
- It can be the cause of malfunction



## How to use Cleaning exhaust filter



- The exhaust filter is reusable.
- To clean the exhaust filter, remove the exhaust filter cover on the body by pulling it out.
- Separate the exhaust filter.
- Dust off filter. (Do not wash filter with water.)
- The exhaust filter should be cleaned at least a year.

### Exhaust filter cover assembling

- Fit exhaust filter cover lugs to the grooves of vacuum cleaner body.
- Join it the body.

## What to do if your vacuum cleaner does not work

Check that the vacuum cleaner is plugged in correctly and that the electrical socket is working.

## What to do when suction performance decreases

- Turn off the vacuum cleaner and unplug it.
- Check the telescopic pipe, flexible hose and cleaning tool for blockages or obstructions.
- Check that the dust tank is not full. Empty if necessary.
- Check that dust separator is not clogged with obstruction. Eliminate it.
- Check that the exhaust filter is not clogged. Clean the exhaust filter if necessary.
- Check that the air filter of dust separator is not clogged. Clean the air filter if necessary.



### **Disposal of your old appliance**

1. When this crossed-out wheeled bin symbol is attached to a product it means the product is covered by the European Directive 2002/96/EC.
2. All electrical and electronic products should be disposed of separately from the municipal waste stream via designated collection facilities appointed by the government or the local authorities.
3. The correct disposal of your old appliance will help prevent potential negative consequences for the environment and human health.
4. For more detailed information about disposal of your old appliance, please contact your city office, waste disposal service or the shop where you purchased the product.

# Note



# Note



# Note



