



LG

OWNER'S MANUAL

IMPORTANT

Please read through this manual. It contains valuable information about your air conditioner. This manual may help save time and money by explaining proper product maintenance and preventing improper use.

PRECAUTIONS

Pay close attention to precautions in order to prevent potential hazards and damage from misuse or improper installation. LG is not responsible for any damages caused by misuse of the product.

TABLE OF CONTENTS

1. Safety Precautions

2. Operating Instructions

3. Care and Maintenance

4. Before you call for service

For Your Records

Write the model and serial numbers here:

Model # _____

Serial # _____

You can find them on a label on the side of each unit.

Dealer's Name _____

Date Purchased _____

Read This Manual

Inside you will find many helpful hints on how to use and maintain your air conditioner properly. Just a little preventive care on your part can save you a great deal of time and money over the life of your air conditioner.

*You'll find many answers to common problems in the chart of troubleshooting tips. If you review our chart of **Troubleshooting Tips** first, you may not need to call for service at all.*

CAUTION

- Contact the authorized service technician for repair or maintenance of this unit.
- Contact the installer for installation of this unit.
- The air conditioner is not intended for use by young children or invalids without supervision.
- Young children should be supervised to ensure that they do not play with the air conditioner.
- When the power cord is to be replaced, replacement work shall be performed by authorized personnel only.
- Installation work must be performed in accordance with the national wiring standards by authorized personnel only.



To prevent injury and property damage, follow these instructions.

⚠ Incorrect operation due to ignoring instructions will cause harm or damage, the seriousness of which is indicated by the following symbols.



WARNING This symbol shows the possibility of death or serious injury.



CAUTION This symbol indicates the possibility of injury or damage to property.



Never Do This



Always Do This

Installation precautions



WARNING

■ **Do not install, remove and reinstall the unit by yourself.**

- Improper installation will cause water leakage, electrical shock, or fire. Please consult authorized dealer or specialist for the installation work. Please note fault caused by improper installation is not covered by warranty.
- Unit must be installed in an easily accessible area. Any additional cost required to hire a special equipment to service the unit will be the responsibility of the customer.



WARNING

⊘ **Do not damage or use an unspecified power cord.**

- It will cause electrical shock or fire.
- If the supply cord is damaged, it must be replaced by the manufacturer or its service agent or a similarly qualified person in order to avoid a hazard.

⊘ **Do not operate switches with wet hands.**

- It may cause electrical shock.

ⓘ **Plug in the power plug properly.**

- Otherwise, it will cause electrical shock or fire due to heat generation.

⊘ **Do not operate or stop the unit by inserting or pulling out the power plug.**

- It will cause electrical shock or fire due to heat generation.

⊘ **Do not insert your finger or stick, etc. into the air inlet/air outlet.**

- Since the fan rotates at high speed, this may cause an injury or damage the unit.

⊘ **Do not expose the skin to cool air directly for a long time.**

- This could damage your health.

ⓘ **When an abnormality (smell) of burning, etc) occurs, stop the air conditioner, and turn off the breaker.**

- If the unit continues to be operated in an abnormal condition, it may cause a fire, trouble, etc. In this case, consult your dealer.

ⓘ **Repair or relocation should not be done by the customer.**

- If this is done in correctly, it may cause a fire, electric shock, injury by dropping of the unit, water leakage, etc. Consult your dealer.



CAUTION

- Contact the authorized Service technician for repair or maintenance of this unit.
- Contact the installer for installation of this unit.
- The air conditioner is not intended for use by young children or infirm persons without supervision.
- Young children should be supervised to ensure that they do not play with the air conditioner.



CAUTION

⊘ Do not clean the air conditioner with water.

- Water may enter the unit and degrade the insulation. It may cause an electric shock.

⊘ Ventilate well when used together with a stove, etc.

- An oxygen shortage may occur.

ⓘ When the unit is to be cleaned, switch off, and turn off the breaker.

- Since the fan rotates at high speed during operation, it may cause an injury.

⊘ Do not put a stove, etc. where is exposed to direct air flow.

- It may cause imperfect combustion.

⊘ When the unit is not going to be used for a long time, turn off the breaker.

- It may cause an injury.

⊘ Do not step on the outdoor unit and do not put anything on it.

- It may cause an injury through dropping or falling down.

⊘ Do not operate for a long time in high humidity, e.g. leaving a door or window open.

- In the cooling mode, if it is operated in a room with high humidity (80%r.h. or more) for a long time, water condensed in the air conditioner may drop and may wet and spoil furniture, etc.

ⓘ Do not step onto an unstable bench when attaching/detaching the panel.

- It may cause an injury, etc. by falling down.

⊘ Do not use for special purposes.

- Do not use this air conditioner to preserve precision devices, food, animal, plants and art objects. It may cause deterioration of quality, etc.

⊘ If the supply cord is damaged, it must be replaced by a special cord or assembly available from the manufacturer of its service agent.

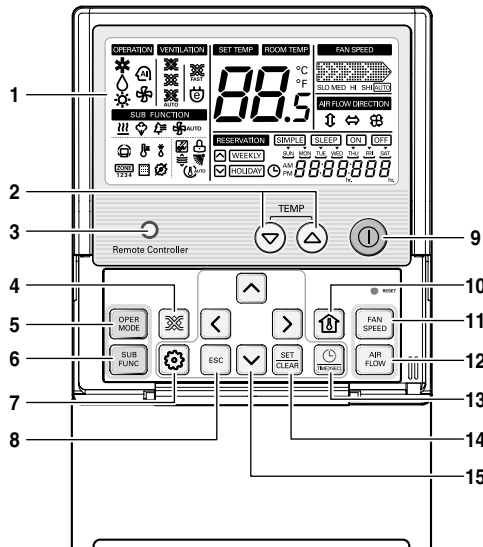
- It will cause electrical shock or fire.

ⓘ When the air filter is to be removed, do not touch the metal parts of the indoor unit.

- It may cause an injury.

Operating Instructions

Name and function of wired remote controller



• Wired remote controller

1. Operation indication screen
2. Set temperature button
3. Wireless remote controller Receiver
 - Some kind of product could not receive wireless signal.
4. Ventilation button
5. Operation mode selection button
6. Sub-function button
7. Function setting button
8. Exit button
9. On/ Off button
10. Room temperature button
11. Fan speed button
12. Air flow button
13. Reservation/ Time setting button
14. Setting/ Cancel button
15. Up, Down, Left, Right

Note:- For detail information for operating Procedure , refer the Remote Manual.

Caution: Before performing any maintenance, turn off the main power to the system.

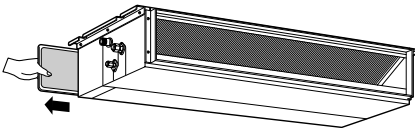
Indoor Unit

Grille, Case, and Remote Control

□ Turn the system off before cleaning. To clean, wipe with a soft, dry cloth. Do not use bleach or abrasives.

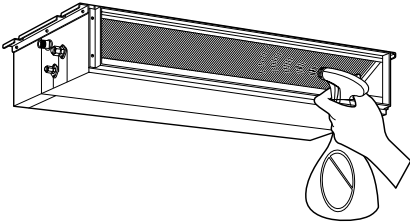
Note:

Supply power must be disconnected before cleaning the indoor unit.



Air Filter

The air filters behind Indoor unit (the suction side) should be checked and cleaned once every 2 weeks or more often if necessary.



□ Never use any of the followings:

- Water hotter than 40°C
Could cause deformation and/or discoloration.
- Volatile substances
Could damage the surfaces of the air conditioner.

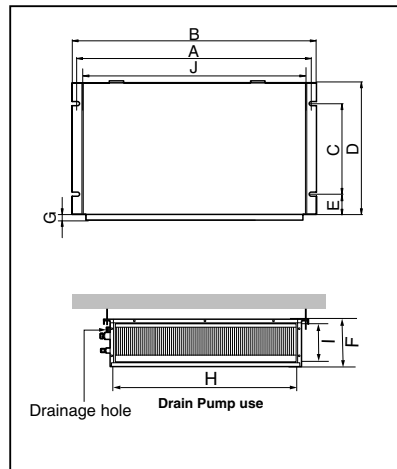


- 1 Clean the filter with a vacuum or warm, soapy water.
 - If very dirty, wash with a solution of detergent in lukewarm water.
 - If hot water (50°C or more) is used, filter may be deformed.
- 2 After washing with water, dry well in the shade.
- 3 Re-install the air filter.

Indoor Unit Dimensions (mm)

(Unit:mm)

Dimension	A	B	C	D	E	F	G	H	I	J
Capacity(Btu/h)	1130	1180	383	575	93	190	21	1065	163	1100



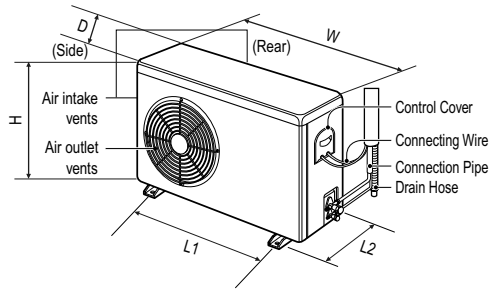
Outdoor Unit

The heat exchanger coils and panel vents of the outdoor unit should be checked regularly. If clogged with dirt or soot, the heat exchanger and panel vents may be professionally steam cleaned.

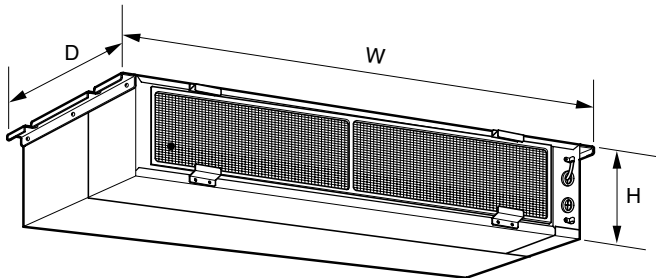
Note:

Dirty or clogged coils will reduce the operating efficiency of the system and cause higher operating costs.

Outdoor Unit



Indoor Unit



Model	Capacity	Indoor dimension			Outdoor Dimension				
		W	D	H	W	D	H	L1	L2
LB-B2156QC	1.5 tr	1180	575	190	800	260	555	590	305
LB-B2206QC	2 TR	1180	575	190	800	260	555	590	305
LB-B2256QC / LB-B2258QC	2.5 TR	1180	575	190	870	320	655	545	350
JB-B2156QC	1.5 TR	1180	575	190	870	320	655	545	350
JB-B2258QC	2.5 TR	1180	575	190	870	320	800	545	350

When the air conditioner is not going to be used for a long time.

When it is not going to be used for a long time.

- 1 Operate the air conditioner on Air circulation mode (Refer to page 15) for 2 to 3 hours.
 - This will dry out the internal parts.
- 2 Turn off the circuit breaker.



CAUTION

Turn off the circuit breaker when the air conditioner is not going to be used for a long time. Dirt may collect and may cause a fire.

When the air conditioner is to be used again.

- Check that the air inlet and outlet of the indoor/outdoor unit are not blocked.

Helpful information

The air filters and your electric bill. If the air filters become clogged with dust, the cooling capacity will drop, and 6% of the electricity used to operate the air conditioner will be wasted.

Operation Tips

Do not overcool the room.

This is not good for the health and wastes electricity.

Clean the air filter regularly.

Blockages in the air filter reduce the airflow and lower cooling and dehumidifying effects. Clean at least once every two weeks.

Keep blinds or curtains closed.

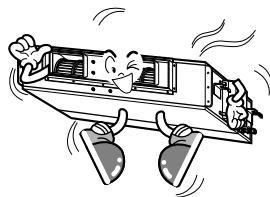
Do not let direct sunshine enter the room when the air conditioner is in operation.

Ventilate the room occasionally.

Since windows are kept closed, it is a good idea to open them and ventilate the room now and then.

Make sure that the doors and windows are shut tight.

Avoid opening doors and windows as much as possible to keep the cool air in the room.



Troubleshooting Tips! Save time and money!

Check the following points before requesting repairs or service.... If the malfunction persist, please contact your dealer.

Case	Explanation
The air conditioner does not operate.	<ul style="list-style-type: none"> • Have you made a mistake in timer operation? • On first starting, the indoor unit operates in fifteen seconds. • Has the fuse blown or has the circuit breaker been tripped? • Check power supply for single/reverse phase, voltage imbalance.
The room has a peculiar odor.	<ul style="list-style-type: none"> • Check that this is not a damp smell exuded by the walls, carpet, furniture or cloth items in the room.
It seems that condensate is leaking from the air Conditioner.	<ul style="list-style-type: none"> • Condensation occurs when the airflow from the air conditioner cools the warm room air.
Air conditioner does not operate for about 3 minutes when restart.	<ul style="list-style-type: none"> • This is the protector of the mechanism. • Wait about three minutes and operation will begin.
Does not cool or heat effectively.	<ul style="list-style-type: none"> • Is the air filter dirty? See air filter cleaning instructions. • The room may have been very hot when the room air conditioner was first turned on. Allow time for it to cool down. • Has the setting temperature been set incorrectly? • Are the indoor unit's air inlet or outlet vents obstructed?
The air conditioner operation is noisy.	<ul style="list-style-type: none"> • For a noise that sounds like water flowing. -This is the sound of freon flowing inside the air conditioner unit. • For a noise that sounds like the compressed air releasing into atmosphere. -This is the sound of the dehumidifying water being processed inside the air conditioning unit.
Crack sound is heard.	<ul style="list-style-type: none"> • This sound is generated by the expansion/contraction of the inlet grille, etc. due to changes of temperature.
Remote control display is faint, or no display at all.	<ul style="list-style-type: none"> • Has the circuit breaker been tripped?

NOTE

WATER RESISTANT: The outdoor side of this appliance is WATER RESISTANT.

The indoor side is not water resistant and should not be exposed to excess water.



P/No.: MFL62760101

After reading this manual, keep it in a place easily accessible to the user for future reference.