



LG

Life's Good

OWNER'S MANUAL LED LCD TV


Please read this manual carefully before operating your set and retain it for future reference.

55LM9600

IMPORTANT SAFETY INSTRUCTIONS


Always comply with the following precautions to avoid dangerous situations and ensure peak performance of your product.

ENGLISH





WARNING/CAUTION

**RISK OF ELECTRIC SHOCK
DO NOT OPEN**



TO REDUCE THE RISK OF ELECTRIC SHOCK DO NOT REMOVE COVER (OR BACK). NO USER SERVICEABLE PARTS INSIDE. REFER TO QUALIFIED SERVICE PERSONNEL.

 The lightning flash with arrowhead symbol, within an equilateral triangle, is intended to alert the user to the presence of uninsulated “dangerous voltage” within the product’s enclosure that may be of sufficient magnitude to constitute a risk of electric shock to persons.

 The exclamation point within an equilateral triangle is intended to alert the user to the presence of important operating and maintenance (servicing) instructions in the literature accompanying the appliance.

WARNING/CAUTION
- TO REDUCE THE RISK OF FIRE AND ELECTRIC SHOCK, DO NOT EXPOSE THIS PRODUCT TO RAIN OR MOISTURE.

Read these instructions.
Keep these instructions.
Heed all warnings.
Follow all instructions.



- Do not use this apparatus near water.



- Clean only with a dry cloth.



- Do not block any ventilation openings. Install in accordance with the manufacturer’s instructions.



- Do not install near any heat sources such as radiators, heat registers, stoves, or other apparatus (including amplifiers) that produce heat.



- Do not defeat the safety purpose of the polarized or grounding-type plug. A polarized plug has two blades with one wider than the other. A grounding type plug has two blades and a third grounding prong. The wide blade or the third prong are provided for your safety. If the provided plug does not fit into your outlet, consult an electrician for replacement of the obsolete outlet (Can differ by country).



- Protect the power cord from being walked on or pinched particularly at plugs, convenience receptacles, and the point where they exit from the apparatus.



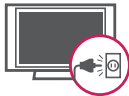
- Only use attachments/accessories specified by the manufacturer.



- Use only with a cart, stand, tripod, bracket, or table specified by the manufacturer, or sold with the apparatus. When a cart is used, use caution when moving the cart/apparatus combination to avoid injury from tip-over.



- Unplug this apparatus during lightning storms or when unused for long periods of time.



- Refer all servicing to qualified service personnel. Servicing is required when the apparatus has been damaged in any way, such as power-supply cord or plug is damaged, liquid has been spilled or objects have fallen into the apparatus, the apparatus has been exposed to rain or moisture, does not operate normally, or has been dropped.



- Do not stick metal objects or any other conductive material into the power cord. Do not touch the end of the power cord while it is plugged in.



- Keep the packing anti-moisture material or vinyl packing out of the reach of children. Anti-moisture material is harmful if swallowed. If swallowed by mistake, force the patient to vomit and visit the nearest hospital. Additionally, vinyl packing can cause suffocation. Keep it out of the reach of children.

- CAUTION concerning the Power Cord (Can differ by country):

It is recommended that appliances be placed upon a dedicated circuit; that is, a single outlet circuit which powers only that appliance and has no additional outlets or branch circuits. Check the specification page of this owner's manual to be certain. Do not connect too many appliances to the same AC power outlet as this could result in fire or electric shock. Do not overload wall outlets. Overloaded wall outlets, loose or damaged wall outlets, extension cords, frayed power cords, or damaged or cracked wire insulation are dangerous. Any of these conditions could result in electric shock or fire. Periodically examine the cord of your appliance, and if its appearance indicates damage or deterioration, unplug it, discontinue use of the appliance, and have the cord replaced with an exact replacement part by an authorized service. Protect the power cord from physical or mechanical abuse, such as being twisted, kinked, pinched, closed in a door, or walked upon. Pay particular attention to plugs, wall outlets, and the point where the cord exits the appliance. Do not move the TV with the power cord plugged in. Do not use a damaged or loose power cord. Be sure do grasp the plug when unplugging the power cord. Do not pull on the power cord to unplug the TV.

ENGLISH

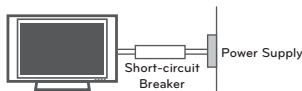
- **Warning** - To reduce the risk of fire or electrical shock, do not expose this product to rain, moisture or other liquids. Do not touch the TV with wet hands. Do not install this product near flammable objects such as gasoline or candles, or expose the TV to direct air conditioning.



- Do not expose to dripping or splashing and do not place objects filled with liquids, such as vases, cups, etc. on or over the apparatus (e.g. on shelves above the unit).



- **Grounding**
(Except for devices which are not grounded.) Ensure that you connect the earth ground wire to prevent possible electric shock (i.e. a TV with a three-prong grounded AC plug must be connected to a three-prong grounded AC outlet). If grounding methods are not possible, have a qualified electrician install a separate circuit breaker. Do not try to ground the unit by connecting it to telephone wires, lightning rods, or gas pipes.

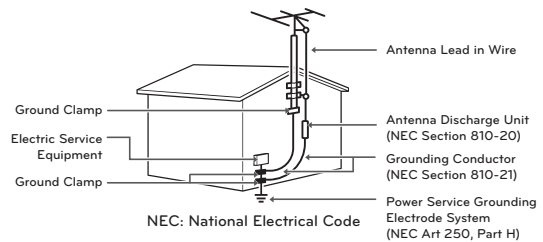


- **DISCONNECTING DEVICE FROM THE MAIN POWER**
Mains plug is the disconnecting device. The plug must remain readily operable.

- As long as this unit is connected to the AC wall outlet, it is not disconnected from the AC power source even if the unit is turned off.
- Do not attempt to modify this product in any way without written authorization from LG Electronics. Unauthorized modification could void the user's authority to operate this product.
- **ANTENNAS Outdoor antenna grounding**
(Can differ by country):

If an outdoor antenna is installed, follow the precautions below. An outdoor antenna system should not be located in the vicinity of overhead power lines or other electric light or power circuits, or where it can come in contact with such power lines or circuits as death or serious injury can occur. Be sure the antenna system is grounded so as to provide some protection against voltage surges and built-up static charges. Section 810 of the National Electrical Code (NEC) in the U.S.A. provides information with respect to proper grounding of the mast and supporting structure, grounding of the lead-in wire to an antenna discharge unit, size of grounding conductors, location of antenna discharge unit, connection to grounding electrodes and requirements for the grounding electrode.

Antenna grounding according to the National Electrical Code, ANSI/NFPA 70



- **Cleaning**

When cleaning, unplug the power cord and wipe gently with a soft cloth to prevent scratching. Do not spray water or other liquids directly on the TV as electric shock may occur. Do not clean with chemicals such as alcohol, thinners or benzene.

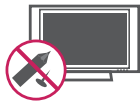
- **Moving**

Make sure the product is turned off, unplugged and all cables have been removed. It may take 2 or more people to carry larger TVs. Do not press or put stress on the front panel of the TV.

- **Ventilation**

Install your TV where there is proper ventilation. Do not install in a confined space such as a bookcase. Do not cover the product with cloth or other materials while plugged. Do not install in excessively dusty places.

- If you smell smoke or other odors coming from the TV, unplug the power cord and contact an authorized service center.
- Do not press strongly upon the panel with a hand or a sharp object such as a nail, pencil or pen, or make a scratch on it.
- Keep the product away from direct sunlight.



- Never touch this apparatus or antenna during a thunder or lightning storm.
- When mounting a TV on the wall, make sure not to install the TV by hanging the power and signal cables on the back of the TV.
- Do not allow an impact shock or any objects to fall into the product, and do not drop anything onto the screen.

- **Dot Defect**

The Plasma or LCD panel is a high technology product with resolution of two million to six million pixels. In a very few cases, you could see fine dots on the screen while you're viewing the TV. Those dots are deactivated pixels and do not affect the performance and reliability of the TV.

- **Generated Sound**

“Cracking” noise: A cracking noise that occurs when watching or turning off the TV is generated by plastic thermal contraction due to temperature and humidity. This noise is common for products where thermal deformation is required.

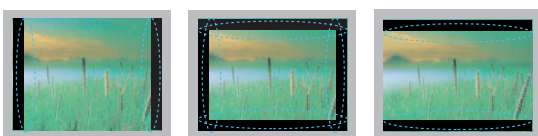
Electrical circuit humming/panel buzzing: A low level noise is generated from a high-speed switching circuit, which supplies a large amount of current to operate a product. It varies depending on the product.

This generated sound does not affect the performance and reliability of the product.

- Take care not to touch the ventilation openings. When watching the TV for a long period, the ventilation openings may become hot. This does not affect the performance of the product or cause defects in the product.
- If the TV feels cold to the touch, there may be a small “flicker” when it is turned on. This is normal, there is nothing wrong with TV. Some minute dot defects may be visible on the screen, appearing as tiny red, green, or blue spots. However, they have no adverse effect on the TV's performance. Avoid touching the LCD screen or holding your finger(s) against it for long periods of time. Doing so may produce some temporary distortion effects on the screen.

DISPOSAL (Hg lamp only used in LCD TVs)

The fluorescent lamp used in this product contains a small amount of mercury. Do not dispose of this product with general household waste. Disposal of this product must be carried out in accordance to the regulations of your local authority.

Preventing "Image burn" or "Burn-in" on your TV screen

- If a fixed image displays on the TV screen for a long period of time, it will be imprinted and become a permanent disfigurement on the screen. This is "image burn" or "burn-in" and not covered by the warranty.
- If the aspect ratio of the TV is set to 4:3 for a long period of time, image burn may occur on the letterboxed area of the screen.
- Avoid displaying a fixed image on the TV screen for a long period of time (2 or more hours for LCD, 1 or more hours for the Plasma TV) to prevent image burn.

Viewing 3D Imaging

WARNING

Viewing Environment

- Viewing Time
 - When watching 3D contents, take 5 - 15 minute breaks every hour. Viewing 3D contents for a long period of time may cause headache, dizziness, fatigue or eye strain.

Those that have a photosensitive seizure or chronic illness

- Some users may experience a seizure or other abnormal symptoms when they are exposed to a flashing light or particular pattern from 3D contents.
- Do not watch 3D videos if you feel nausea, are pregnant and/ or have a chronic illness such as epilepsy, cardiac disorder, or blood pressure disease, etc.
- 3D Contents are not recommended to those who suffer from stereo blindness or stereo anomaly. Double images or discomfort in viewing may be experienced.
- If you have strabismus (cross-eyed), amblyopia (weak eyesight) or astigmatism, you may have trouble sensing depth and easily feel fatigue due to double images. It is advised to take frequent breaks than the average adult.
- If your eyesight varies between your right and left eye, revise your eyesight prior to watching 3D contents.

Symptoms which require discontinuation or refraining from watching 3D contents

- Do not watch 3D contents when you feel fatigue from lack of sleep, overwork or drinking.
- When these symptoms are experienced, stop using/watching 3D contents and get enough rest until the symptom subsides.
 - Consult your doctor when the symptoms persist. Symptoms may include headache, eyeball pain, dizziness, nausea, palpitation, blurriness, discomfort, double image, visual inconvenience or fatigue.

 **CAUTION****Viewing Environment**

- Viewing Distance
 - Maintain a distance of at least twice the screen diagonal length when watching 3D contents. If you feel discomfort in viewing 3D contents, move further away from the TV.

Viewing Age

- Infants / Children
 - Usage/ Viewing 3D contents for children under the age of 5 are prohibited.
 - Children under the age of 10 may overreact and become overly excited because their vision is in development (for example: trying to touch the screen or trying to jump into it. Special monitoring and extra attention is required for children watching 3D contents.
 - Children have greater binocular disparity of 3D presentations than adults because the distance between the eyes is shorter than one of adults. Therefore they will perceive more stereoscopic depth compared to adults for the same 3D image.
- Teenagers
 - Teenagers under the age of 19 may be stimulated to light coming from 3D videos. Advise them not to watch 3D videos for a long time when they are tired.
- Elderly
 - The elderly may perceive less of a 3D effect than the youth. Do not sit closer to the TV than the recommended distance.

Cautions when using the 3D glasses

- Make sure to use LG 3D glasses. Otherwise, you may not be able to view 3D videos properly.
- Do not use 3D glasses instead of your normal glasses, sunglasses or protective goggles.
- Using modified 3D glasses may cause eye strain or image distortion.
- Do not keep your 3D glasses in extremely high or low temperatures. It will cause deformation.
- The 3D glasses are fragile and are easy to be scratched. Always use a soft, clean piece of cloth when wiping the lenses. Do not scratch the lenses of the 3D glasses with sharp objects or clean/wipe them with chemicals.

LICENSES

Supported licenses may differ by model. For more information about licenses, visit www.lg.com.



Manufactured under license from Dolby Laboratories. "Dolby" and the double-D symbol are trademarks of Dolby Laboratories.



HDMI, the HDMI logo and High-Definition Multimedia Interface are trademarks or registered trademarks of HDMI Licensing LLC.



ABOUT DIVX VIDEO: DivX® is a digital video format created by DivX, LLC, a subsidiary of Rovi Corporation. This is an official DivX Certified® device that plays DivX video. Visit divx.com for more information and software tools to convert your files into DivX video.

ABOUT DIVX VIDEO-ON-DEMAND: This DivX Certified® device must be registered in order to play purchased DivX Video-on-Demand (VOD) movies. To obtain your registration code, locate the DivX VOD section in your device setup menu. Go to vod.divx.com for more information on how to complete your registration.

"DivX Certified® to play DivX® video up to HD 1080p, including premium content."

"DivX®, DivX Certified® and associated logos are trademarks of Rovi Corporation or its subsidiaries and are used under license."

"Covered by one or more of the following U.S. patents:
7,295,673; 7,460,668; 7,515,710; 7,519,274"



Manufactured under license under U.S. Patent Nos: 5,956,674; 5,974,380; 6,487,535 & other U.S. and worldwide patents issued & pending. DTS, the Symbol & DTS and the Symbol together are registered trademarks & DTS 2.0+Digital Out is a trademark of DTS, Inc. Product includes software. © DTS, Inc. All Rights Reserved.



OPEN SOURCE SOFTWARE NOTICE

To obtain the source code under GPL, LGPL, MPL and other open source licenses, that is contained in this product, please visit <http://opensource.lge.com>.

In addition to the source code, all referred license terms, warranty disclaimers and copyright notices are available for download.

LG Electronics will also provide open source code to you on CD-ROM for a charge covering the cost of performing such distribution (such as the cost of media, shipping and handling) upon email request to opensource@lge.com. This offer is valid for three (3) years from the date on which you purchased the product.

TABLE OF CONTENTS

2 IMPORTANT SAFETY INSTRUCTIONS

7 Viewing 3D Imaging

9 LICENSES

9 OPEN SOURCE SOFTWARE NOTICE

10 TABLE OF CONTENTS

11 INSTALLATION PROCEDURE

11 ASSEMBLING AND PREPARING

- 11 Unpacking
- 13 Optional Extras
- 14 Parts and buttons
- 15 Lifting and moving the TV
- 16 Setting up the TV
 - 16 - Attaching the stand
 - 17 - Mounting on a table
 - 18 - Tidying cables
 - 19 - Mounting on a wall

20 MAKING CONNECTIONS

- 20 Connecting to an antenna or cable
- 21 Connecting to a HD receiver, DVD, or VCR player
 - 21 - HDMI Connection
 - 22 - DVI to HDMI Connection
 - 23 - Connecting to a mobile phone
 - 24 - Component Connection
 - 25 - Composite Connection
- 26 Connecting to a PC
 - 26 - HDMI Connection, DVI to HDMI Connection or RGB Connection
- 28 Connecting to an Audio System
 - 28 - Digital Optical Audio Connection
- 29 Connecting to a USB

30 REMOTE CONTROL

- 30 Magic Remote Control Functions
 - 31 - Registering Magic Remote Control
 - 31 - How to use Magic Remote Control
 - 31 - Precautions to Take when Using the Magic Remote Control

32 WATCHING TV

- 32 Turning the TV on for the first time

33 USING THE USER GUIDE

34 SPECIFICATIONS

38 MAINTENANCE

- 38 Cleaning Your TV
 - 38 - Screen, frame, cabinet and stand
 - 38 - Power cord

38 TROUBLESHOOTING

NOTE

- Image shown may differ from your TV.
- Your TV's OSD (On Screen Display) may differ slightly from that shown in this manual.
- The available menus and options may differ from the input source or product model that you are using.
- New features may be added to this TV in the future.

INSTALLATION PROCEDURE

- 1 Open the package and make sure all the accessories are included.
- 2 Attach the stand to the TV set.
- 3 Connect an external device to the TV set.
- 4 Make sure the network connection is available.
You can use the TV network functions only when the network connection is made.

ASSEMBLING AND PREPARING

Unpacking

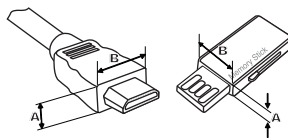
Check your product box for the following items. If there are any missing accessories, contact the local dealer where you purchased your product. The illustrations in this manual may differ from the actual product and item.

CAUTION

- Do not use any unapproved items to ensure the safety and product life span.
- Any damages or injuries by using unapproved items are not covered by the warranty.
- In case of some model, the thin film on screen is a part of TV, So don't take it off.

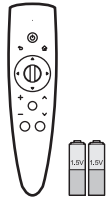
NOTE

- The items supplied with your product may vary depending on the model.
- Product specifications or contents of this manual may be changed without prior notice due to upgrade of product functions.
- For an optimal connection, HDMI cables and USB devices should have bezels less than 10 mm (0.39 inches) thick and 18 mm (0.7 inches) width.
- Use an extension cable that supports USB 2.0 if the USB cable or USB memory stick does not fit into your TV's USB port.



*A \leq 10 mm (0.39 inches)

*B \leq 18 mm (0.7 inches)



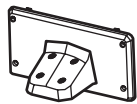
**Magic remote control,
Batteries (AA)**
(See p.30)



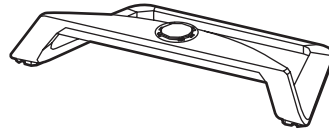
Cinema 3D glasses
The number of 3D glasses
may differ depending on the
model or country.



Dual play glasses
The number of Dual play
glasses may differ depending
on the model or country.



Stand body
(See p.16)

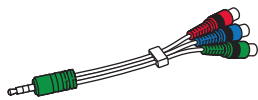


Stand base
(See p.16)

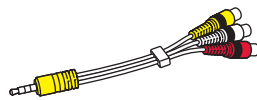


Stand screws
8 EA, M4 x 20
(See p.16)

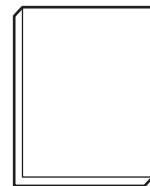
ENGLISH



Component video cable
(See p.24)



Composite video cable
(See p.24, 25)



Owner's manual



Polishing cloth
(Depending on model)
Use this to remove dust
from the cabinet.

Optional Extras

Optional extras can be changed or modified for quality improvement without any notification. Contact your dealer for buying these items. These devices only work with certain models.



AN-MR300
Magic remote control



AG-F2, AG-F3****
Cinema 3D glasses

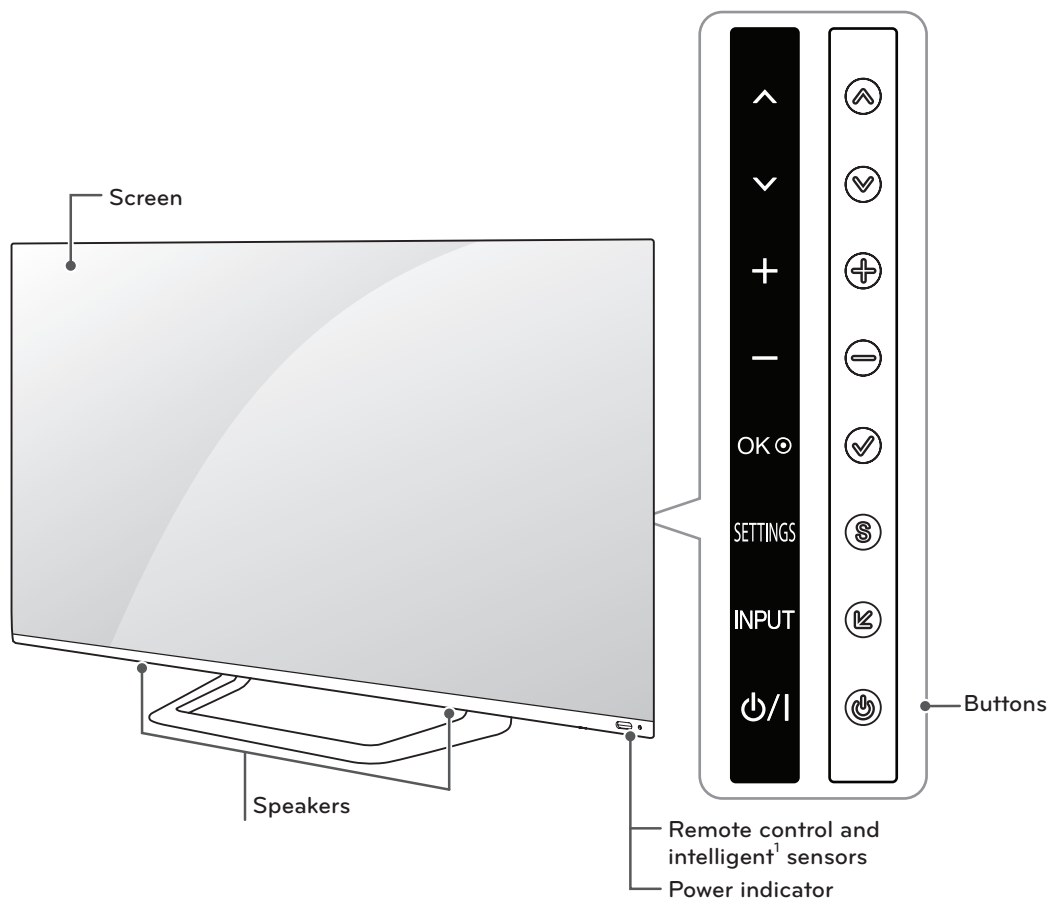


AG-F2DP, AG-F3**DP**
Dual play glasses

The model name or design may be changed manufacturer's circumstances or policies.

Parts and buttons

ENGLISH



Button	Description
▲ / ▼ (^ / v)	Scrolls through the saved channels.
⊕ / ⊖ (+ / -)	Adjusts the volume level.
✓ (OK ◉)	Selects the highlighted menu option or confirms an input.
S (SETTINGS)	Accesses the main menus, or saves your input and exits the menus.
⏏ (INPUT)	Changes the input source.
⏻ (⏻ / ⏻)	Turns the power on or off.

1 Intelligent sensor - Adjusts the image quality and brightness based on the surrounding environment.

Lifting and moving the TV

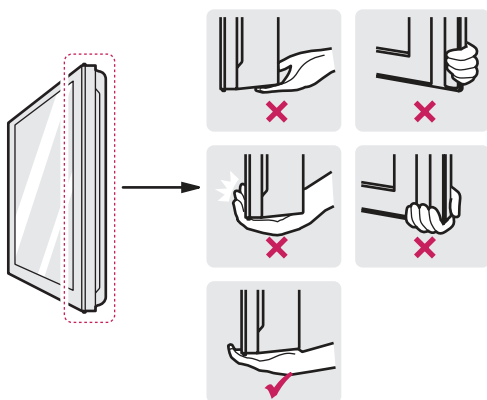
When moving or lifting the TV, read the following to prevent the TV from being scratched or damaged and for safe transportation regardless of its type and size.

CAUTION

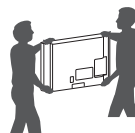
- Avoid touching the screen at all times, as this may result in damage to the screen.
- It is recommended to move the TV in the box or packing material that the TV originally came in.
- Before moving or lifting the TV, disconnect the power cord and all cables.
- When holding the TV, the screen should face away from you to avoid damage.



- Hold the top and bottom of the TV frame firmly. Make sure not to hold the transparent part, speaker, or speaker grill area.



- When transporting a large TV, there should be at least 2 people.
- When transporting the TV by hand, hold the TV as shown in the following illustration.



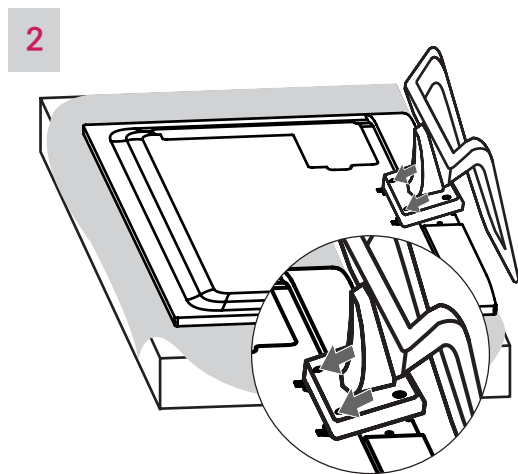
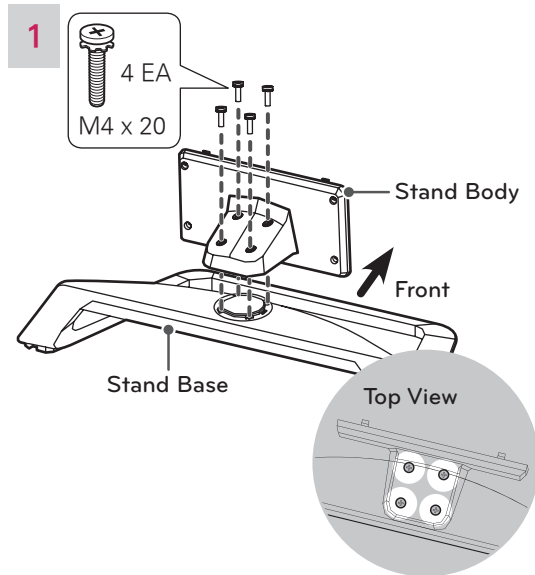
- When transporting the TV, do not expose the TV to jolts or excessive vibration.
- When transporting the TV, keep the TV upright, never turn the TV on its side or tilt towards the left or right.

Setting up the TV

Put your TV on a pedestal stand and mount the TV on a table or wall.

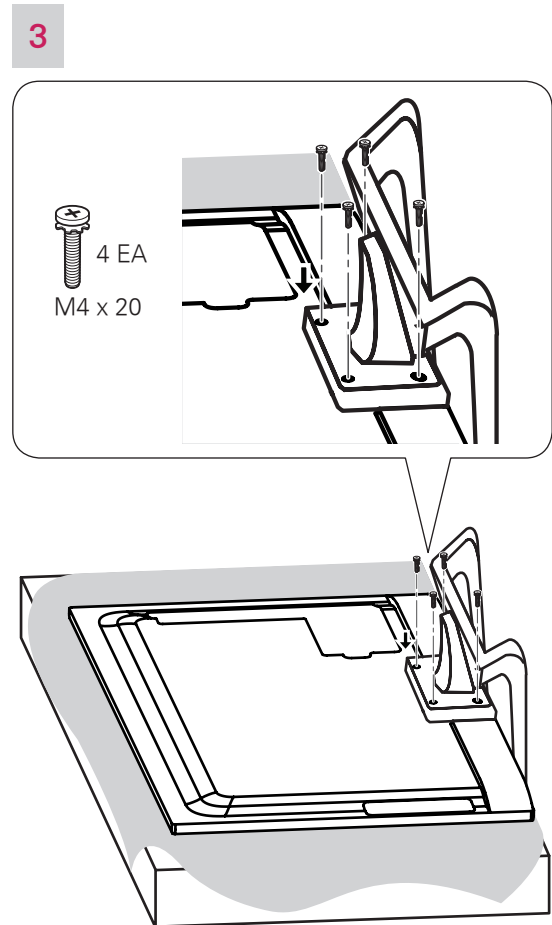
Attaching the stand

If you are not mounting the TV to a wall, use the following instructions to attach the stand.



! CAUTION

- When attaching the stand to the TV set, place the screen facing down on a cushioned table or flat surface to protect the screen from scratches.



! CAUTION

- Make sure that the screws are fastened completely. (If they are not fastened securely enough, the TV may tilt forward after being installed.)
- Do not fasten the screws with too much force; otherwise they may be worn out and get loosened.

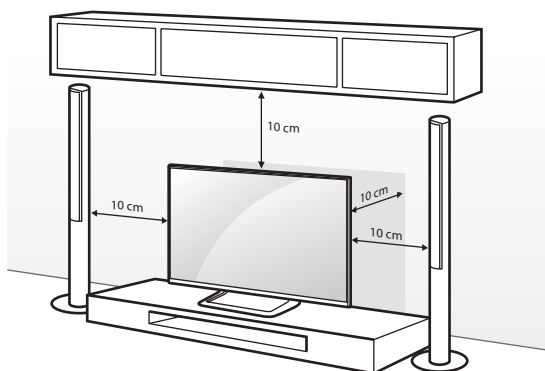
! NOTE

- Remove the stand before installing the TV on a wall mount by performing the stand attachment in reverse.

Mounting on a table

- 1 Lift and tilt the TV into its upright position on a table.

- Leave a 10 cm (minimum) space from the wall for proper ventilation.



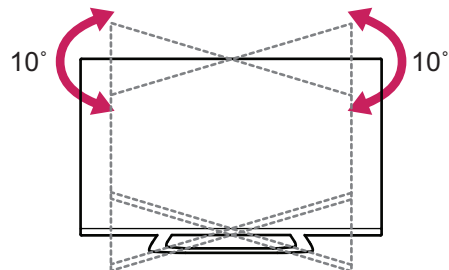
- 2 Connect the power cord to a wall outlet.

CAUTION

- Do not place the TV near or on sources of heat, as this may result in fire or other damage.

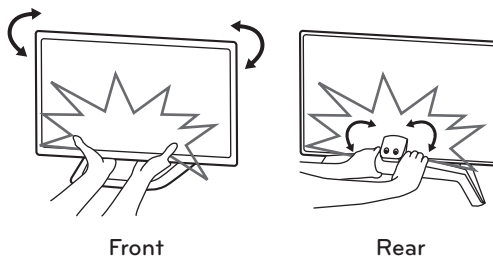
Adjusting the angle of the TV to suit view

Swivel 10 degrees to the left or right and adjust the angle of the TV to suit your view.



CAUTION

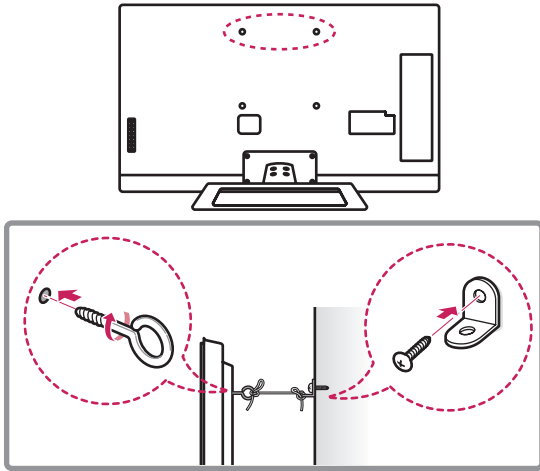
- When adjusting the angle of the TV, watch out for your fingers.
 - Personal injury may occur if hands or fingers are pinched. If the product is tilted too much, it may fall, causing damage or injury.



Front

Rear

Securing the TV to a wall (optional)



- 1 Insert and tighten the eye-bolts, or TV brackets and bolts on the back of the TV.
- If there are bolts inserted at the eye-bolts position, remove the bolts first.
- 2 Mount the wall brackets with the bolts to the wall.
Match the location of the wall bracket and the eye-bolts on the rear of the TV.
- 3 Connect the eye-bolts and wall brackets tightly with a sturdy rope.
Make sure to keep the rope horizontal with the flat surface.

⚠ CAUTION

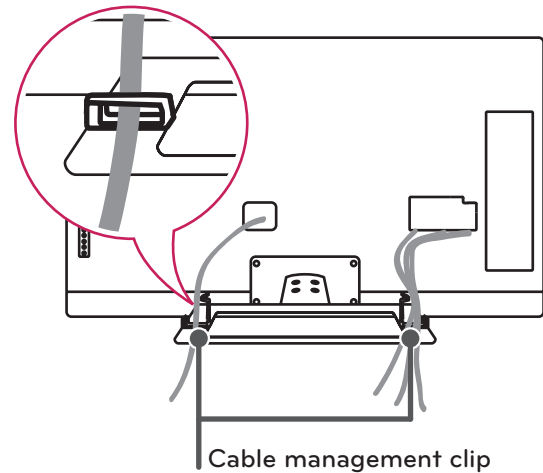
- Make sure that children do not climb on or hang on the TV.

! NOTE

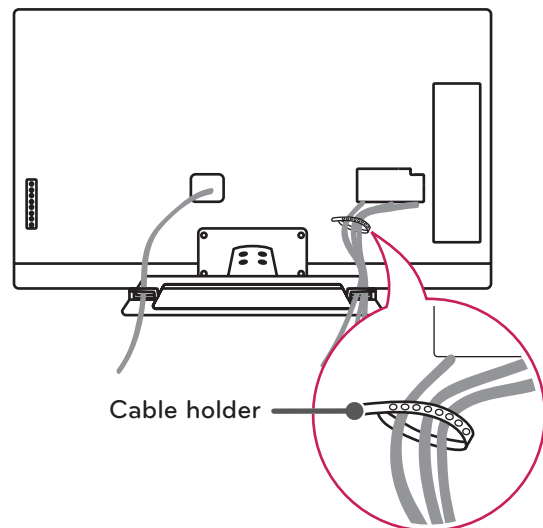
- Use a platform or cabinet that is strong and large enough to support the TV securely.
- Brackets, bolts and ropes are optional. You can obtain additional accessories from your local dealer.

Tidying cables

- 1 Gather and bind the cables with the cable management clip.



- 2 Gather and bind the cables with the cable holder on the back of the TV.



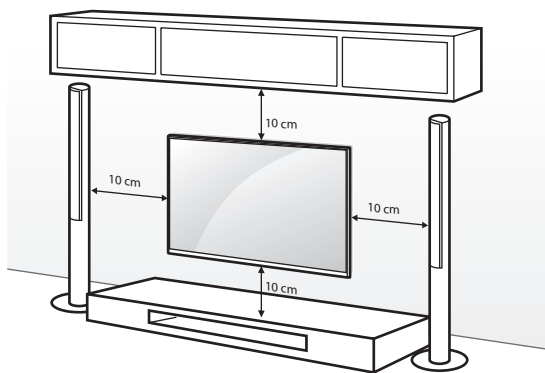
⚠ CAUTION

- Do not move the TV by holding the cable holder and cable management clip, as the cable holders may break, and injuries and damage to the TV may occur.

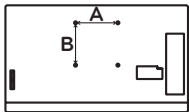
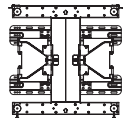
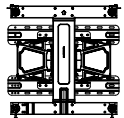
Mounting on a wall

Attach an optional wall mount bracket at the rear of the TV carefully and install the wall mount bracket on a solid wall perpendicular to the floor. When you attach the TV to other building materials, please contact qualified personnel.

We recommend that you use an LG brand wall mount when mounting the TV to a wall.



Make sure to use screws and wall mounts that meet the VESA standard. Standard dimensions for the wall mount kits are described in the following table.

Model	55LM9600	
VESA (A x B)	400 x 400	
		
Standard screw	M6	
Number of screws	4	
Wall mount bracket (optional)	 LSW400BX	 LSW420BX

CAUTION

- Disconnect the power first, and then move or install the TV. Otherwise electric shock may occur.
- If you install the TV on a ceiling or slanted wall, it may fall and result in severe injury. Use an authorized LG wall mount and contact the local dealer or qualified personnel.
- Do not over tighten the screws as this may cause damage to the TV and void your warranty.
- Use the screws and wall mounts that meet the VESA standard. Any damages or injuries by misuse or using an improper accessory are not covered by the warranty.

NOTE

- Use the screws that are listed on the VESA standard screw specifications.
- The wall mount kit includes an installation manual and necessary parts.
- The wall mount bracket is optional. You can obtain additional accessories from your local dealer.
- The length of screws may differ depending on the wall mount. Make sure to use the proper length.
- For more information, refer to the manual supplied with the wall mount.

MAKING CONNECTIONS

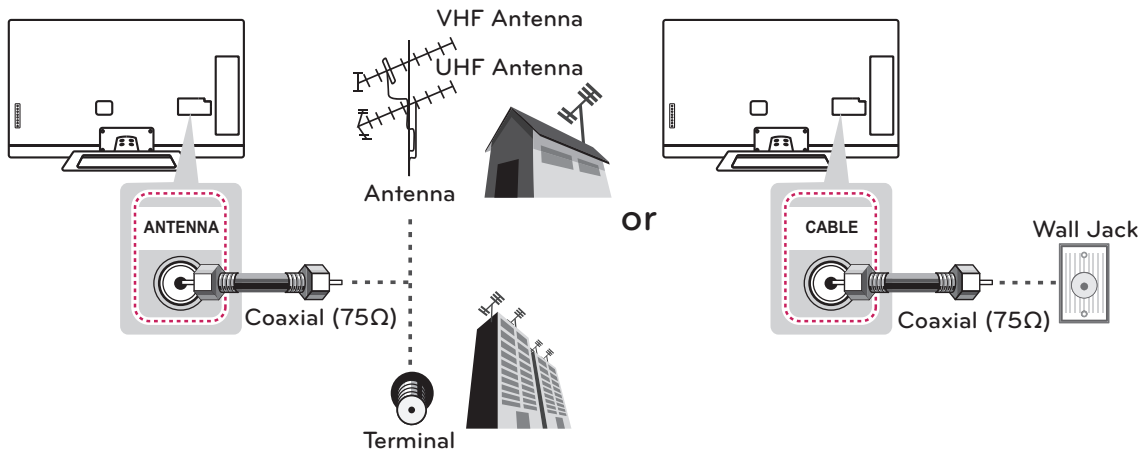
Connect various external devices to the TV and switch input modes to select an external device. For more information of external device's connection, refer to the manual provided with each device. Available external devices are: HD receivers, DVD players, VCRs, audio systems, USB storage devices, PC, gaming devices, and other external devices.

NOTE

- If you record a TV program on a DVD recorder or VCR, make sure to connect the TV signal input cable to the TV through a DVD recorder or VCR. For more information of recording, refer to the manual provided with the connected device.
- The external device connection may differ from the model.
- Connect external devices to the TV regardless of the order of the TV port.

Connecting to an antenna or cable

Connect an antenna, cable, or cable box to watch TV while referring to the following. The illustrations may differ from the actual items and a RF cable is optional.

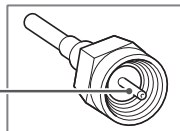


ENGLISH

CAUTION

- Make sure not to bend the copper wire of the RF cable.

Copper wire



- Complete all connections between devices, and then connect the power cord to the power outlet to prevent damage to your TV.

NOTE

- To improve the picture quality in a poor signal area, please purchase a signal amplifier and install properly.
- Use a signal splitter to use more than 2 TVs.
- If the antenna is not installed properly, contact your dealer for assistance.

Connecting to a HD receiver, DVD, or VCR player

Connect a HD receiver, DVD, or VCR player to the TV and select an appropriate input mode.

HDMI Connection

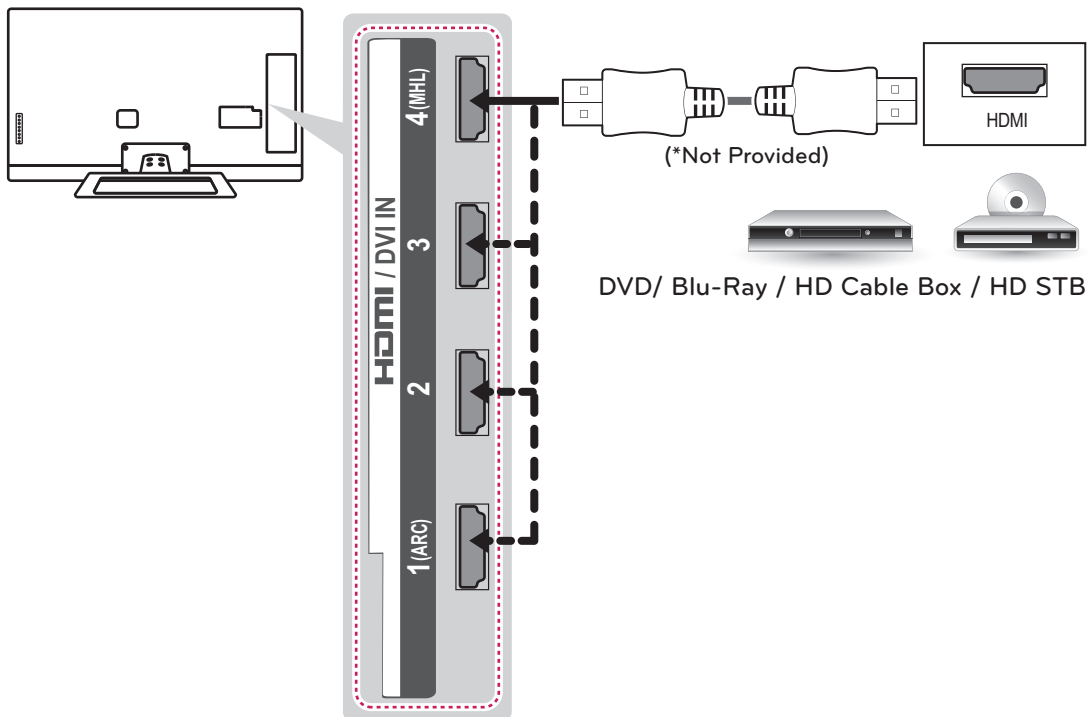
HDMI is the best way to connect a device.

Transmits the digital video and audio signals from an external device to the TV. Connect the external device and the TV with the HDMI cable as shown in the following illustration.

NOTE

- Use the latest High Speed HDMI™ Cable with CEC (Customer Electronics Control) function.
- High Speed HDMI™ Cables are tested to carry an HD signal up to 1080p and higher.

Choose any HDMI input port to connect. It does not matter which port you use.



NOTE

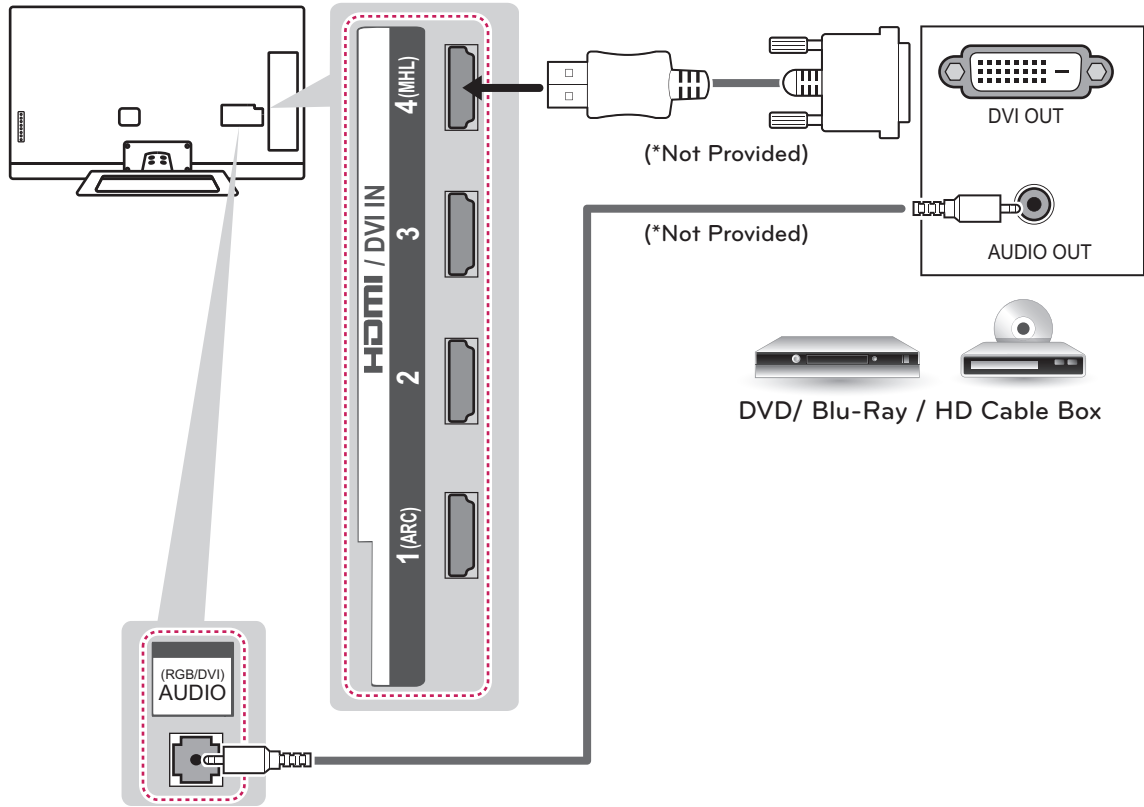
- DTV Audio Supported Codec: MPEG, AAC, HE-AAC
- HDMI Audio Supported Format: Dolby Digital, PCM (Up to 192 KHz, 32k/44.1k/48k /88k/96k/176k/192k) -> Not supported DTS.

ARC (Audio Return Channel)

- When connected with a high-speed HDMI cable, digital audio can be sent to a compatible device without an additional optical audio cable.
- ARC is only supported on the HDMI input 1 (ARC) port. An external audio device that supports ARC should be connected to HDMI 1 if you wish to use ARC

DVI to HDMI Connection

Transmits the digital video signal from an external device to the TV. Connect the external device and the TV with the DVI-HDMI cable as shown in the following illustration. To transmit an audio signal, connect an audio cable.



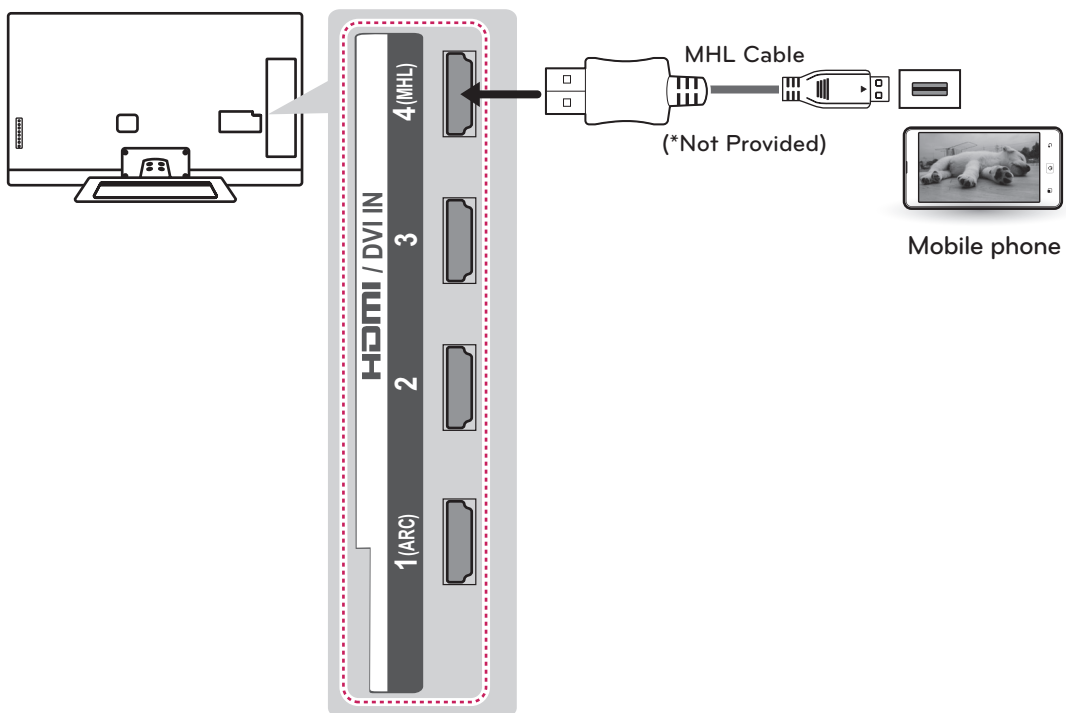
ENGLISH

Connecting to a mobile phone

Mobile High-definition Link (MHL) is an interface for transmitting digital audiovisual signals from mobile phones to television sets.

! NOTE

- Connect the mobile phone to the HDMI/DVI IN 4 (MHL) port to view the phone screen on the TV.
- This only works for the MHL-enabled phone.
- Some applications can be operated by the remote control.
- For some mobile phones supporting MHL, you can control with the Magic Remote Control.
- The MHL passive cable is needed to connect the TV and a mobile phone.



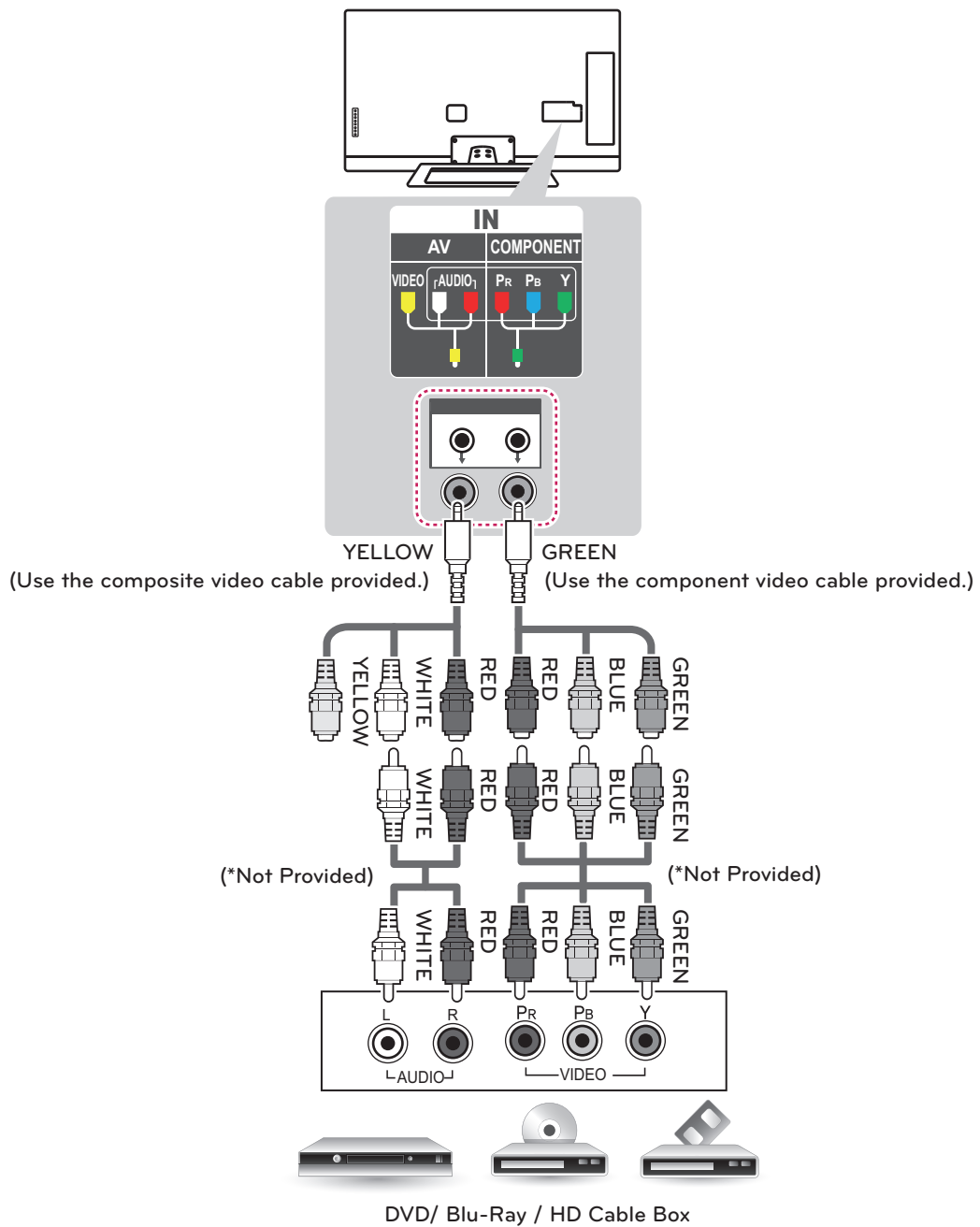
Component Connection

Transmits analog video and audio signals from an external device to the TV. Connect the external device and the TV with a component cable as shown in the following illustration.

NOTE

- If cables are installed incorrectly, it could cause the image to display in black and white or with distorted color.
- **Check to ensure the cables are matched with the corresponding color connection.**

ENGLISH

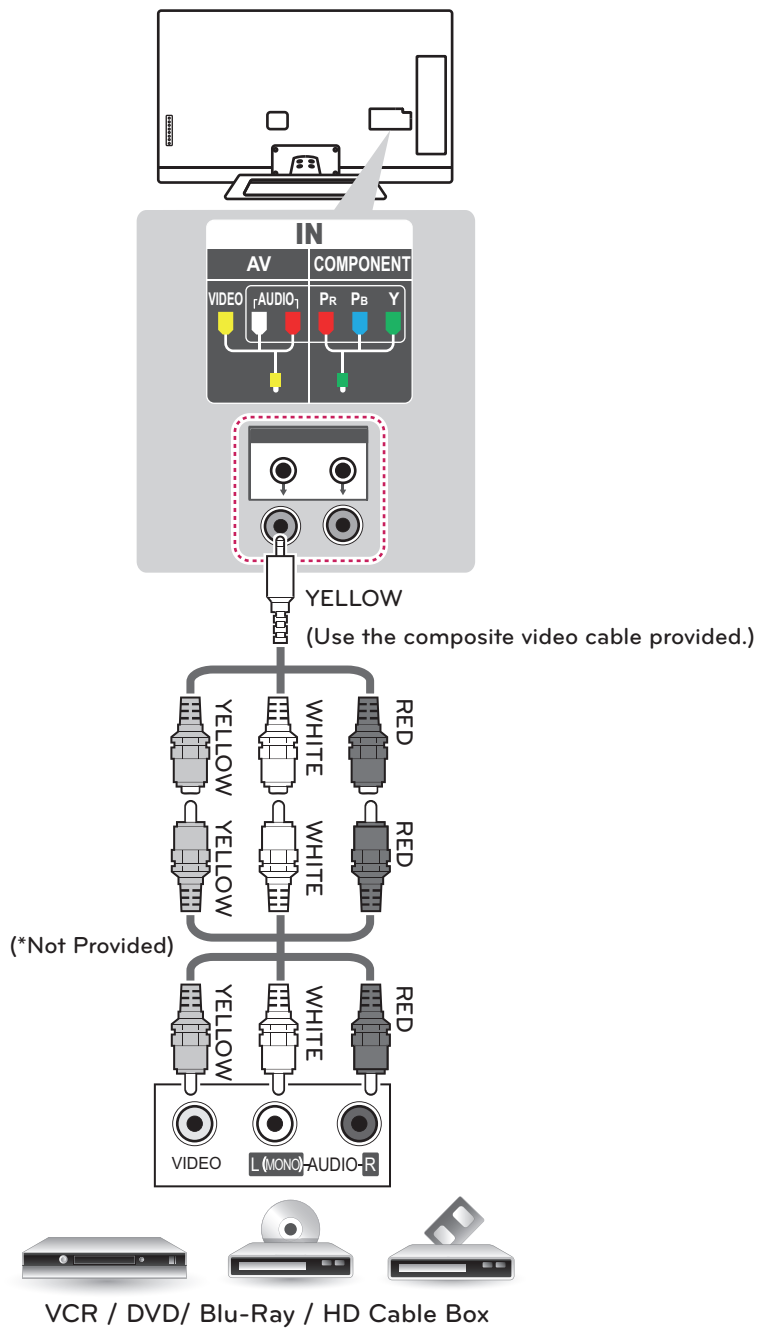


Composite Connection

Transmits analog video and audio signals from an external device to the TV. Connect the external device and the TV with the composite cable as shown in the following illustration.

! NOTE

- If you have a mono VCR, connect the audio cable from the VCR to the AUDIO L/MONO jack of the TV.
- Check to ensure the cables are matched with the corresponding color connection.



Connecting to a PC

! NOTE

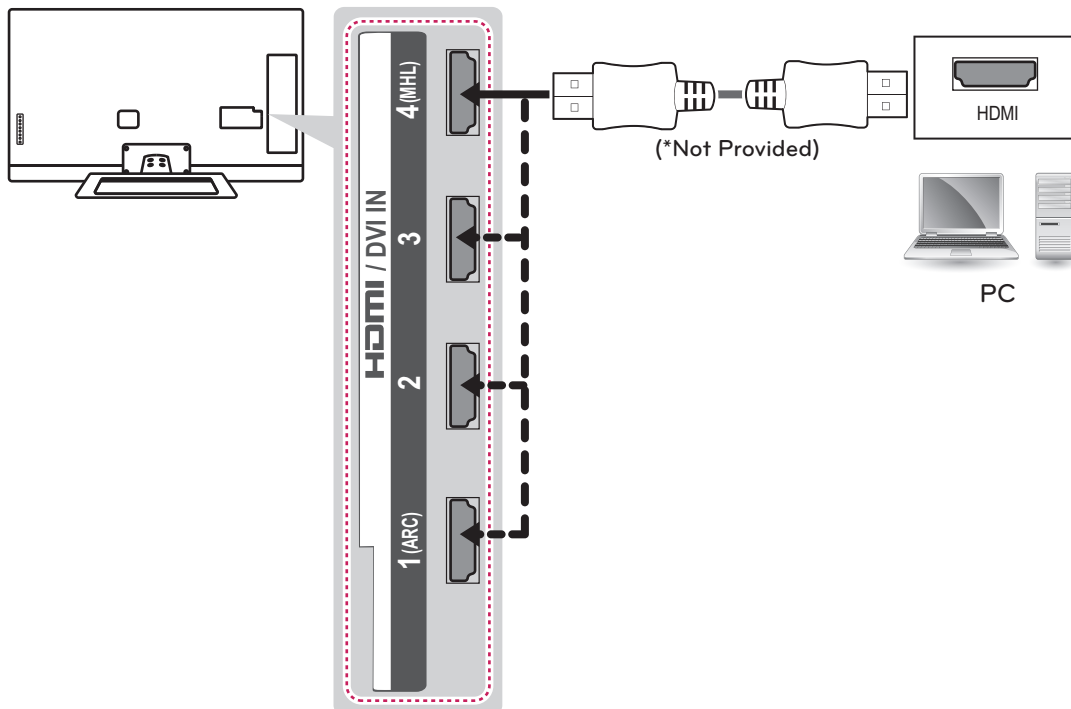
- It is recommended to use the HDMI connection for the best image quality.
- Depending on the graphics card, DOS mode video may not work if a HDMI to DVI Cable is in use.
- In PC mode, there may be noise associated with the resolution, vertical pattern, contrast or brightness. If noise is present, change the PC output to another resolution, change the refresh rate to another rate or adjust the brightness and contrast on the PICTURE menu until the picture is clear.
- The synchronization input form for Horizontal and Vertical frequencies is separate.
- Depending on the graphics card, some resolution settings may not allow the image to be positioned on the screen properly.

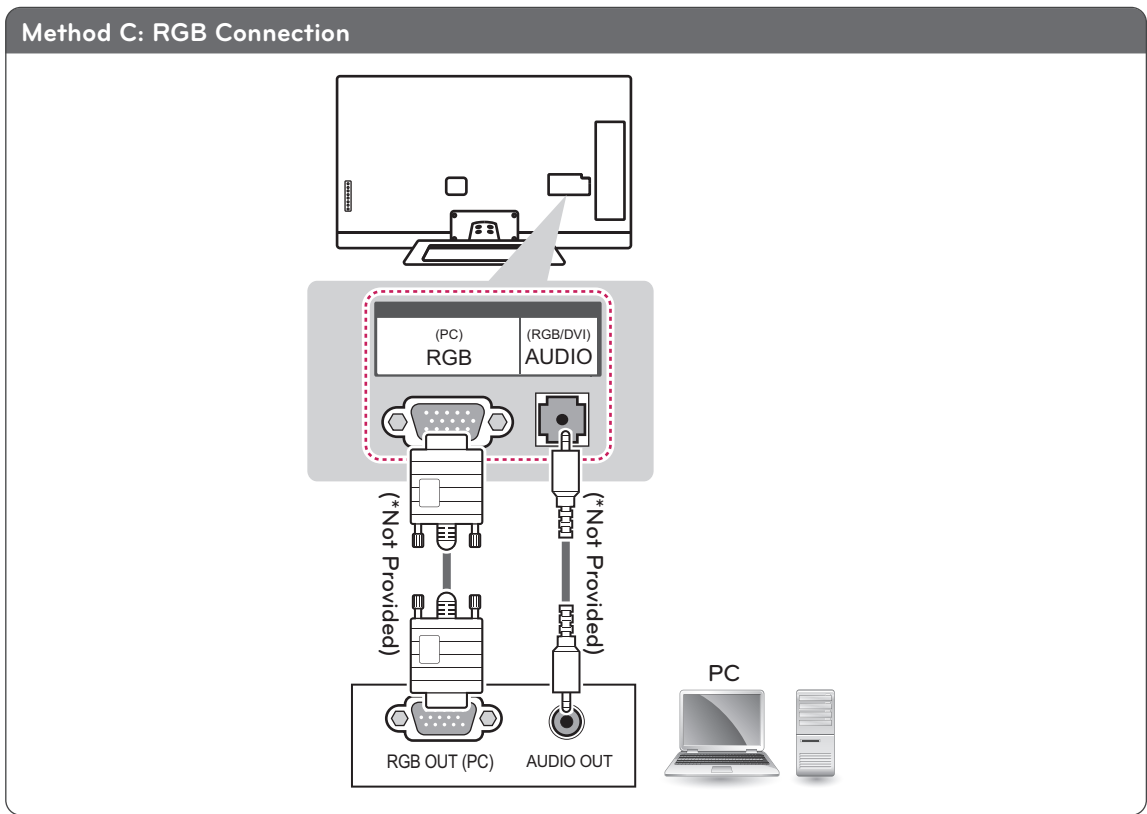
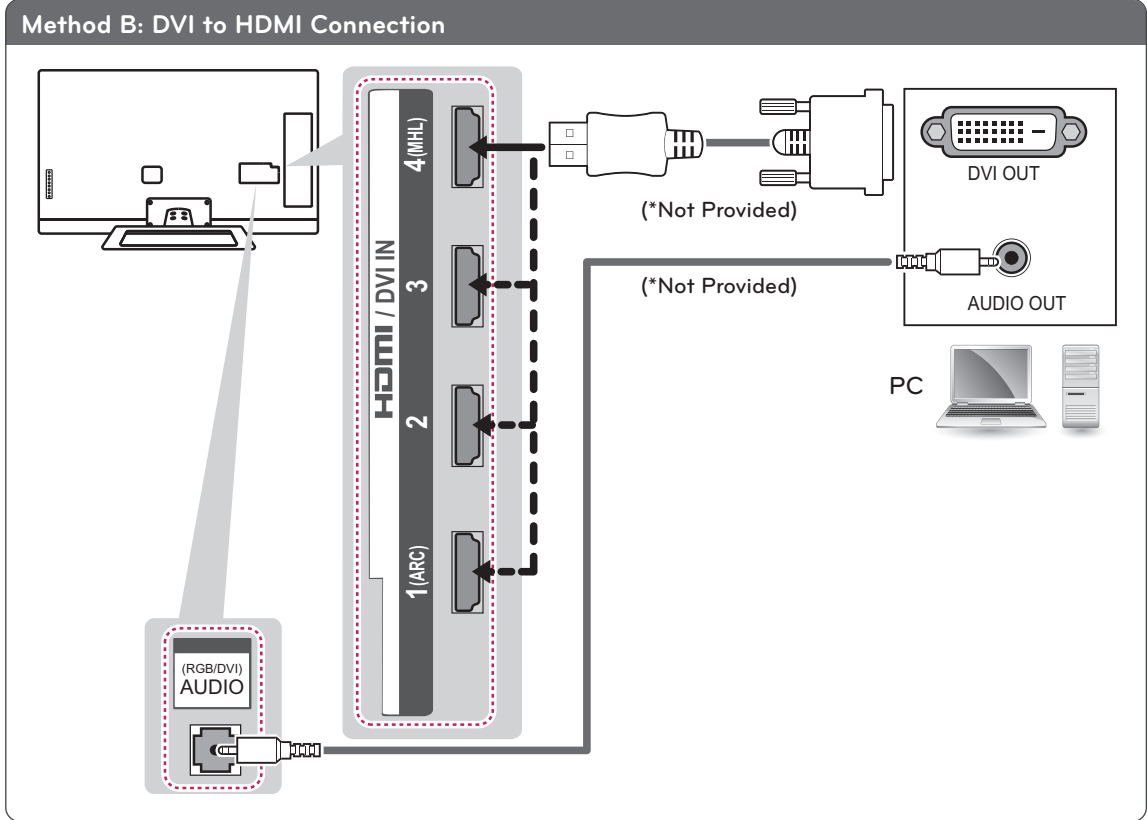
HDMI Connection, DVI to HDMI Connection or RGB Connection

Choose method A, B, or C to make connection.

Method A: HDMI Connection

Choose any HDMI input port to connect.
It does not matter which port you use.





Connecting to an Audio System

You may use an optional external audio system instead of the built-in speaker.

! NOTE

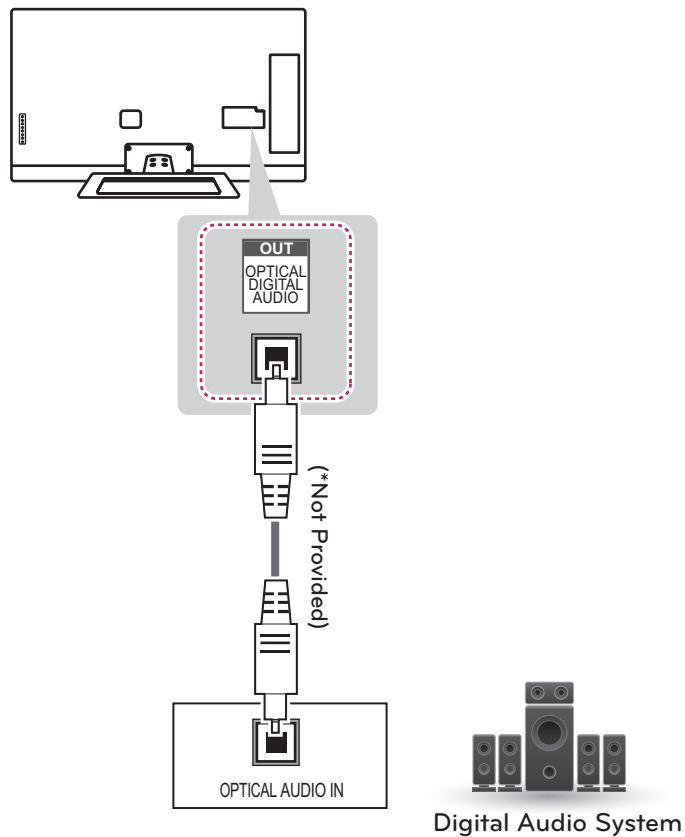
- If you use an optional external audio device instead of the built-in speaker, set the TV speaker feature to off.

Digital Optical Audio Connection

Transmits a digital audio signal from the TV to an external device. Connect the external device and the TV with the optical audio cable as shown in the following illustration.

! NOTE

- Do not look into the optical output port. Looking at the laser beam may damage your vision.
- Audio with ACP (Audio Copy Protection) function may block digital audio output.



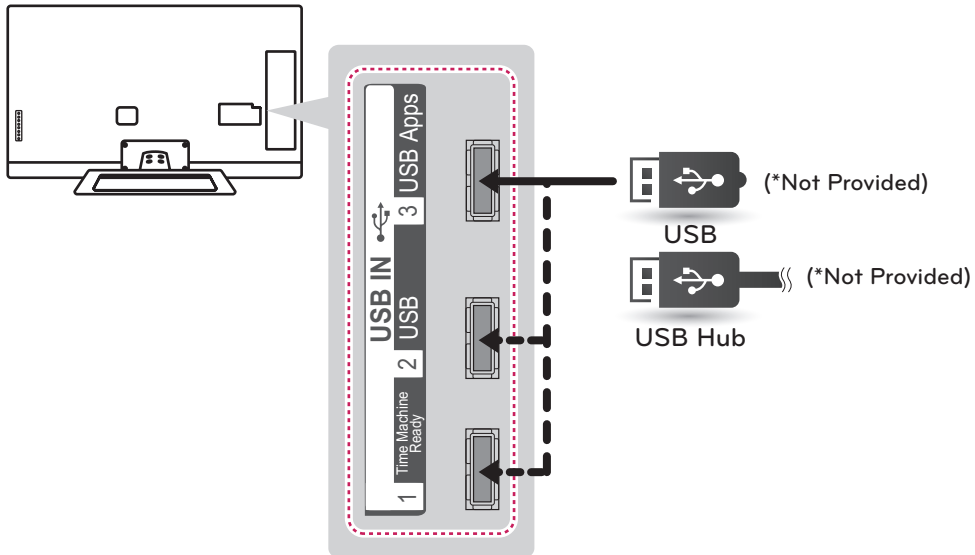
Connecting to a USB

Connect a USB storage device such as a USB flash memory, external hard drive, or a USB memory card reader to the TV and access the Smart Share menu to use various multimedia files.

! NOTE

- To use time machine function, make sure that it is connected to the USB IN 1 Time Machine Ready port.
- To store apps on a USB storage device, make sure that it is connected to the USB IN 3 USB Apps port.
- Some USB Hubs may not work. If a USB device connected using a USB Hub is not detected, connect it to the USB port on the TV directly.

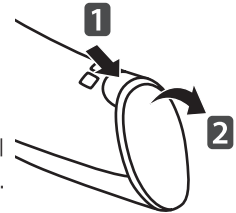
Choose any USB input port to connect.
It does not matter which port you use.



REMOTE CONTROL

Magic Remote Control Functions

When the message "Magic remote control battery is low. Change the battery." is displayed, replace the battery. To replace batteries, open the battery cover, replace batteries (1.5 V AA) matching ⊕ and ⊖ ends to the label inside the compartment, and close the battery cover. Be sure to point the remote control at the remote control sensor on the TV. To remove the batteries, perform the installation actions in reverse.

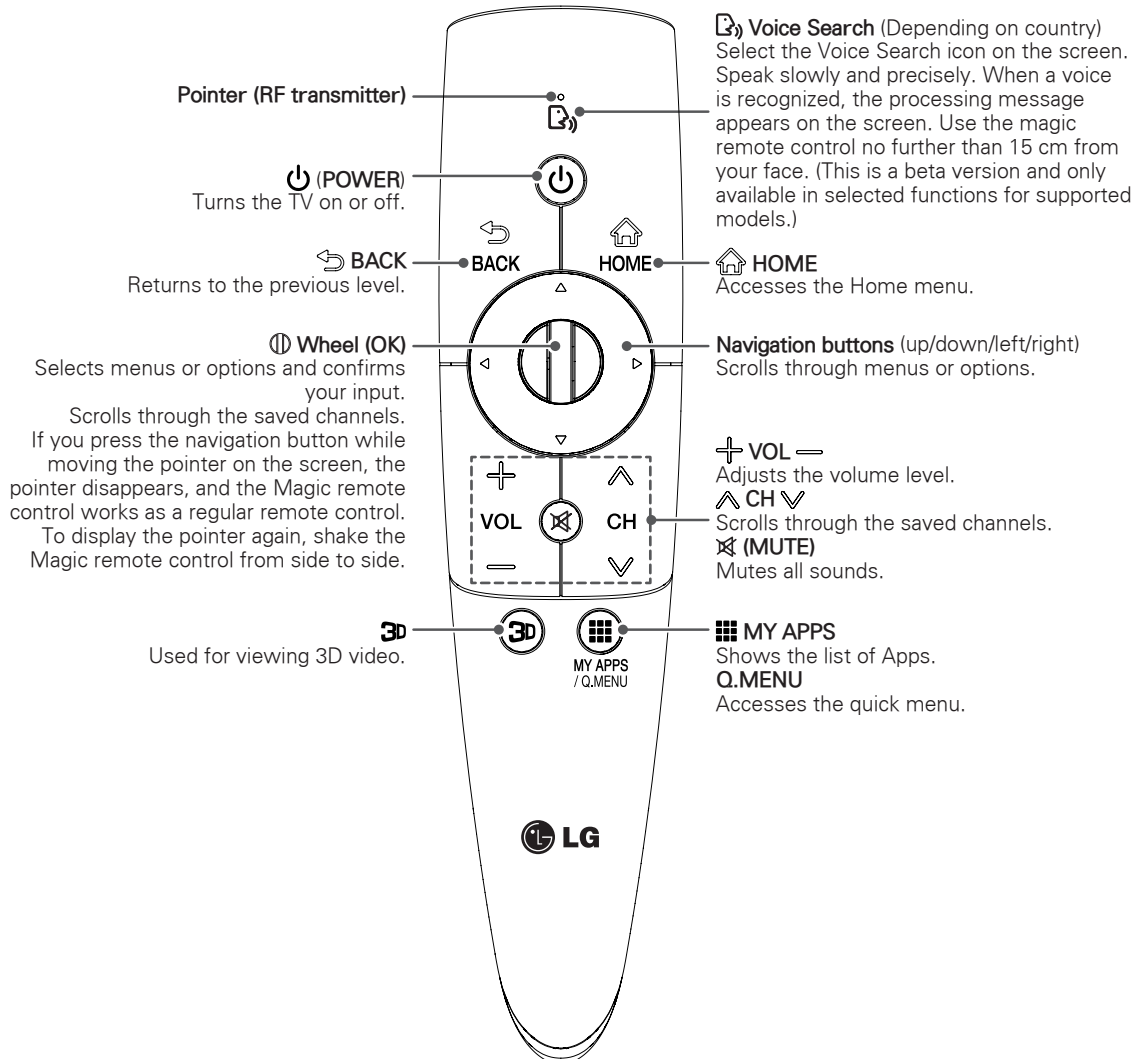


⚠ CAUTION

- Do not mix old and new batteries, as this may damage the remote control.

Make sure to point the remote control at the remote control sensor on the TV.

ENGLISH




Registering Magic Remote Control



The Magic Remote Control operates by pairing with your TV.

Once you purchased the TV, please register the Magic remote control as follows;


How to register the Magic Remote Control


 (Wheel)	<p>To register automatically, turn the TV on and press the Wheel (OK). When registration is completed, the completion message appears on the screen. If registration fails, turn the TV off and back on, then press the Wheel (OK) to complete registration.</p>
---	--

How to Re-register the Magic Remote Control

 BACK	<p>1 Press and hold the BACK and HOME buttons together for 5 seconds to reset, then register it by following "How to register the Magic remote control" above.</p>
 HOME	

How to use Magic Remote Control

	<p>1 You can move the pointer by aiming the Pointer Receiver of the remote control at your TV then move it left, right, up or down.</p> <p>» If the pointer does not work properly leave the remote control for 10 seconds then use it again.</p> <p>2 If the pointer disappears, move the remote control slightly to left or right. Then, it will automatically appear on the screen.</p> <p>» If the pointer has not been used for a certain period of time, it will disappear.</p>
---	---



1	If you press Wheel (OK) on the Magic remote control, the screen appears. Shows information about the current program and screen.
2	Pressing this button will display number keypad which you can select channel number.
3	You can select My Apps Menu.

Precautions to Take when Using the Magic Remote Control

- Use the Magic remote control within the maximum communication distance (10 m, 32.8ft). Using the remote control beyond this distance, or with an object obstructing it, may cause a communication failure.
- A communication failure may occur due to nearby devices. Electrical devices such as a microwave oven or wireless LAN product may cause interference, as these use the same bandwidth (2.4 GHz) as the Magic remote control.
- The Magic remote control may be damaged or may malfunction if it is dropped or receives a heavy impact.
- Take care not to bump into nearby furniture or other people when using the Magic remote control.
- Manufacturer and installer cannot provide service related to human safety as the applicable wireless device has possibility of electric wave interference.
- It is recommended that an Access Point (AP) be located more than 1 m (3.28 ft) away from the TV. If the AP is installed closer than 1 m (3.28 ft), the Magic remote control may not perform as expected due to frequency interference.

WATCHING TV

Turning the TV on for the first time

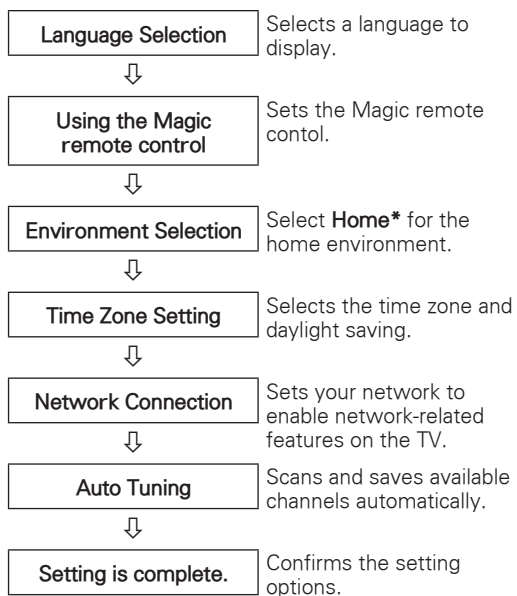
When you turn the TV on for the first time, the Initial setting screen appears. Select a language and customize the basic settings.

- 1 Connect the power cord to a power outlet.
- 2 In Standby mode, press the power button on the remote control to turn the TV on. The Initial setting screen appears if you turn the TV on for the first time.

! NOTE

- You can also access **Initial Setting** by accessing **OPTION** in the main menu.

- 3 Follow the on-screen instructions to customize your TV settings according to your preferences.



! NOTE

- Select **Home** when prompted. **Store** mode puts the TV in demo mode.
- If you select **Store**, the any customized settings will switch back to the default settings of **Store** in 5 minutes.

- 4 When the basic settings are complete, press **(Wheel)**.

! NOTE

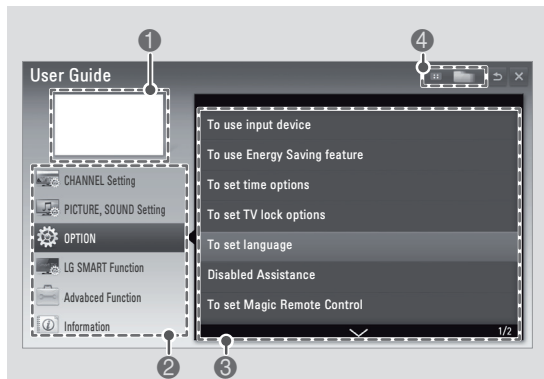
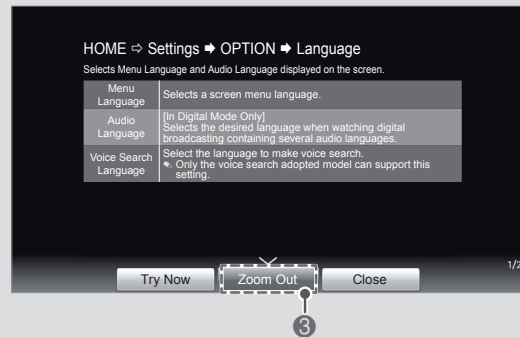
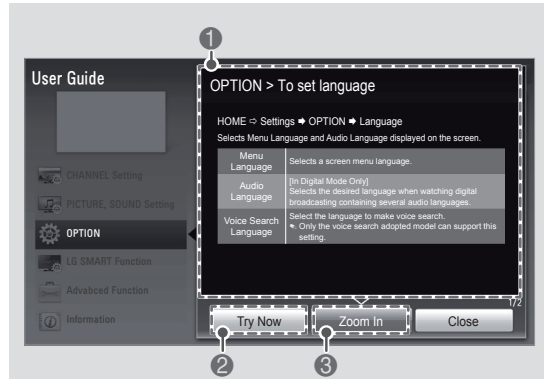
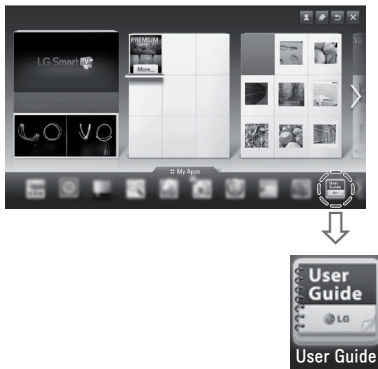
- If you do not complete the Initial setting, it will appear whenever the TV turns on.
- Disconnect the power cord from the power outlet when you do not use the TV for a long period of time.

- 5 To turn the TV off, press the power button on the remote control.

USING THE USER GUIDE

User Guide allows you to more easily access the detailed TV information.

- 1 Press **HOME** button to access the HOME menu.
- 2 Select **User Guide** and press the **Wheel (OK)**.



- | | |
|---|---|
| 1 | Shows the current channel. |
| 2 | Allows to select the category you want. |
| 3 | Allows to select the item you want. You can use \blacktriangle / \blacktriangledown button to move between pages. |
| 4 | Allows to browse the description of the function you want from the index. |

- | | |
|---|--|
| 1 | Shows the description of the selected menu. You can use \blacktriangle / \blacktriangledown to move between pages. |
| 2 | Moves to the selected menu directly from the User Guide. |
| 3 | Zooms in or out the screen. |

SPECIFICATIONS

Product specifications may be changed without prior notice due to upgrade of product functions.

Power requirement	AC 100 - 240 V ~ 50 / 60 Hz	
Television System	NTSC, PAL-M/N, SBTVD	
Program Coverage	VHF 2-13, UHF 14-69, CATV 1-135	
External Antenna Impedance	75 Ω	
Environment condition	Operating Temperature	0 - 40 °C
	Operating Humidity	Less than 80 %
	Storage Temperature	-20 - 60 °C
	Storage Humidity	Less than 85 %

MODELS		55LM9600 (55LM9600-SA)
Dimensions (W x H x D)	With stand	1223.0 x 784.0 x 331.0 mm (48.1 x 30.8 x 13.0 inch)
	Without stand	1223.0 x 708.0 x 38.4 mm (48.1 x 27.8 x 1.5 inch)
Weight	With stand	24.2 kg (53.3 lbs)
	Without stand	20.6 kg (45.4 lbs)
Current Value / Power consumption		2.1 A / 210 W

3D supported formats

- Video, which is input as below media contents is switched into the 3D screen automatically.

3D supported formats automatically				
Input	Signal	Horizontal Frequency (kHz)	Vertical Frequency (Hz)	Playable 3D video format
HDMI	640 x 480	31.469	59.94	Side by Side (Half), Top & Bottom
		31.50	60	
		62.938	59.94	Frame Packing, Line Alternative
		63	60	
	480p	31.469	59.94	Side by Side (Half), Top & Bottom, Side by Side (Full)
		31.50	60	
		62.938	59.94	Frame Packing, Line Alternative
		63	60	
	576i	15.625	50 (PAL)	Side by Side (Half), Top & Bottom, Side by Side (Full)
		31.25		Frame Packing, Field Alternative
	576p	31.25	50 (PAL)	Side by Side (Half), Top & Bottom, Side by Side (Full)
		62.50		Frame Packing, Line Alternative
	720p	37.50	50 (PAL)	Side by Side (Half), Top & Bottom, Side by Side (Full)
		44.96	59.94	
		45	60	
		75	50 (PAL)	Frame Packing, Line Alternative
		89.91	59.94	
		90	60	
	1080i	28.125	50 (PAL)	Side by Side (Half), Top & Bottom, Side by Side (Full)
		33.72	59.94	
		33.75	60	
		56.25	50 (PAL)	Frame Packing, Field Alternative
		67.432	59.94	
	67.50	60		
	1080p	26.97	23.97	Side by Side (Half), Top & Bottom, Side by Side (Full)
		27	24	
		28.12	25 (PAL)	
		33.716	29.976	
		33.75	30	
		43.94	23.97	
		54	24	
		56.24	25 (PAL)	
67.432		29.976		
67.5		30		
56.25		50 (PAL)	Side by Side (Half), Top & Bottom	
67.43		59.94		
67.5	60			
USB DLNA	1080p	33.75	30	Side by Side (Half), Top & Bottom, MPO (Photo)

- For models supporting WiDi, you can set the 3D mode in the same way as in RGB (PC) mode.

3D supported formats manually

Input	Signal	Horizontal Frequency (kHz)	Vertical Frequency (Hz)	Playable 3D video format	
HDMI - DTV	720p	37.50	50 (PAL)	2D to 3D, Side by Side (Half), Top & Bottom, Single Frame Sequential	
		45.00	60		
	1080i	28.12	50 (PAL)	2D to 3D, Side by Side (Half), Top & Bottom	
		33.75	60		
	1080p	1080p	27.00	24	2D to 3D, Side by Side (Half), Top & Bottom, Checker Board
			28.12	25 (PAL)	
33.75			30		
56.25			50 (PAL)		
HDMI - PC	1024 x 768	48.36	60	2D to 3D, Side by Side (Half), Top & Bottom	
	1360 x 768	47.71		2D to 3D, Side by Side (Half), Top & Bottom, Checker Board, Single Frame Sequential, Row Interleaving, Column Interleaving	
	1920 x 1080	67.50		2D to 3D, Side by Side (Half), Top & Bottom, Checker Board, Single Frame Sequential, Row Interleaving, Column Interleaving	
	Others	-		2D to 3D	
RGB - PC	1024 x 768	48.36	60	2D to 3D, Side by Side (Half), Top & Bottom	
	1360 x 768	47.71			
	1920 x 1080	67.50			
	Others	-			2D to 3D
Component	720p	37.50	50 (PAL)	2D to 3D, Side by Side (Half), Top & Bottom	
		44.96	59.94		
		45.00	60		
	1080i	28.12	50 (PAL)		
		33.72	59.94		
		33.75	60		
	1080p	1080p	26.97		23.976
			27.00		24
			28.12		25 (PAL)
			33.71		29.97
			33.75		30
			56.25		50 (PAL)
			67.432		59.94
67.50	60				
Others	-	-	2D to 3D		
USB	1080p	33.75	30	2D to 3D, Side by Side (Half), Top & Bottom, Checker Board, Row Interleaving, Column Interleaving	
DLNA	1080p	33.75	30	(Photo: Side by Side (Half), Top & Bottom)	

Input	Signal	Playable 3D video format
DTV	HD	2D to 3D, Side by Side (Half), Top & Bottom
	SD	2D to 3D

HDMI (DTV) supported mode

Resolution	Horizontal Frequency (kHz)	Vertical Frequency (Hz)
720x480p	31.47	59.94
	31.50	60.00
720x576p	31.25	50.00
1280x720p	37.50	50.00
	44.96	59.94
	45.00	60.00
1920x1080i	28.125	50.00
	33.72	59.94
	33.75	60.00
1920x1080p	26.97	23.976
	27.00	24.00
	33.71	29.97
	33.75	30.00
	56.25	50.00
	67.432	59.94
	67.50	60.00

Component supported mode

Resolution	Horizontal Frequency (kHz)	Vertical Frequency (Hz)
720x480i	15.73	59.94
	15.73	60.00
720x480p	31.47	59.94
	31.50	60.00
720x576i	15.625	50.00
720x576p	31.25	50.00
1280x720p	37.50	50.00
	44.96	59.94
	45.00	60.00
1920x1080i	28.125	50.00
	33.72	59.94
	33.75	60.00
1920x1080p	26.97	23.976
	27.000	24.000
	33.71	29.97
	33.75	30.000
	56.25	50.00
	67.432	59.94
	67.500	60.00

Component port connecting information

Component ports on the TV	Y	P _B	P _R
Video output ports on DVD player	Y	P _B	P _R
	Y	B-Y	R-Y
	Y	C _b	C _r
	Y	P _b	P _r

Wireless LAN module(WN8122E) specification

Standard	IEEE802.11a/b/g/n
Frequency Range	2400 to 2483.5 MHz 5150 to 5250 MHz 5725 to 5850 MHz
Modulation	CCK / OFDM / MIMO
Output Power (Typical)	802.11a: 14 dBm 802.11b: 17 dBm 802.11g: 15 dBm 802.11n - 2.4GHz: 13.5 dBm 802.11n - 5GHz: 12 dBm
Data rate	802.11a/g: 54 Mbps 802.11b: 11 Mbps 802.11n: 300 Mbps
Antenna Gain (Typical)	2400 to 2483.5 MHz: -0.79 dBi 5150 to 5250 MHz: 0.62 dBi 5725 to 5850 MHz: 0.52 dBi
Occupied bandwidth	802.11a/b/g: HT20 802.11n: HT20/40

- Because band channel used by the country could be different, the user can not change or adjust the operating frequency and this product is set for the regional frequency table.



Bluetooth module (BM-LDS302) specification

Standard	Bluetooth Version 3.0
Frequency Range	2400 ~ 2483.5 MHz
Output Power (Max.)	10 dBm or lower
Data rate (Max.)	3 Mbps
Communication Distance	Line of Open Sight approx. 10 m



MAINTENANCE

Cleaning Your TV

Clean your TV regularly to keep the best performance and to extend the product lifespan.



CAUTION

- Make sure to turn the power off and disconnect the power cord and all other cables first.
- When the TV is left unattended or unused for a long time, disconnect the power cord from the wall outlet to prevent possible damage from lightning or power surges.

Screen, frame, cabinet and stand

To remove dust or light dirt, wipe the surface with a dry, clean, and soft cloth.

To remove major dirt, wipe the surface with a soft cloth dampened in clean water or a diluted mild detergent. Then wipe immediately with a dry cloth.



CAUTION

- Do not push, rub, or hit the surface with your fingernail or a sharp object, as this may result in scratches on the screen and image distortions.
- Do not use any chemicals, such as waxes, benzene, alcohol, thinners, insecticides, air fresheners, lubricants, as these may damage the screen's finish and cause discoloration.
- Do not spray liquid onto the surface. If water enters the TV, it may result in fire, electric shock, or malfunction.

ENGLISH

Power cord

Remove the accumulated dust or dirt on the power cord regularly.

TROUBLESHOOTING

Problem	Solution
Cannot control the TV with the remote control.	<ul style="list-style-type: none"> • Check the remote control sensor on the product and try again. • Check if there is any obstacle between the product and the remote control. • Check if the batteries are still working and properly installed (⊕ to ⊕, ⊖ to ⊖).
No image display and no sound is produced.	<ul style="list-style-type: none"> • Check if the product is turned on. • Check if the power cord is connected to a wall outlet. • Check if there is a problem in the wall outlet by connecting other products.
The TV turns off suddenly.	<ul style="list-style-type: none"> • Check the power control settings. The power supply may be interrupted. • Check if the Auto sleep feature is activated in the Time settings. • If there is no signal while the TV is on, the TV will turn off automatically after 15 minutes of inactivity.



The model and serial number of the TV is located on the back and one side of the TV. Record it below should you ever need service.

MODEL _____

SERIAL _____



MANUAL DEL USUARIO TELEVISOR LCD CON LED

Lea atentamente este manual antes de poner en marcha el equipo y consérvelo para futuras consultas.

55LM9600


www.lg.com


INSTRUCCIONES DE SEGURIDAD IMPORTANTES

Siga siempre estas instrucciones para evitar situaciones peligrosas y garantizar el rendimiento máximo del producto.



PARA REDUCIR EL RIESGO DE DESCARGAS ELÉCTRICAS, NO quite LA CUBIERTA (O LA PARTE POSTERIOR). EL USUARIO NO PUEDE CAMBIAR NI REPARAR LOS COMPONENTES INTERNOS. CONSULTE ÚNICAMENTE AL PERSONAL DE SERVICIO CALIFICADO.

 El símbolo de relámpago con una punta de flecha, dentro de un triángulo equilátero, tiene como fin alertar al usuario sobre la presencia en el producto de "voltaje peligroso" sin aislar que puede tener la potencia suficiente para presentar riesgo de descargas eléctricas a los usuarios.

 El signo de admiración dentro de un triángulo equilátero tiene el fin de alertar al usuario sobre la presencia de instrucciones importantes de funcionamiento y de mantenimiento (servicio) en el folleto que acompaña al equipo.

ADVERTENCIA/PRECAUCIÓN
- PARA REDUCIR EL RIESGO DE INCENDIOS O DESCARGAS ELÉCTRICAS, NO EXPONGA EL PRODUCTO A LA LLUVIA O LA HUMEDAD.

Lea estas instrucciones.
Conserve estas instrucciones.
Preste atención a las advertencias.
Siga todas las instrucciones.



- No use el aparato cerca del agua.



- Limpie únicamente con un paño seco.



- No tape ni bloquee las aberturas de ventilación. Realice la instalación siguiendo las instrucciones del fabricante.



- No instale el producto cerca de fuentes de calor como radiadores, rejillas de calefacción central, estufas u otro tipo de aparatos que emitan calor (incluidos los amplificadores).



- No anule el propósito de seguridad del enchufe polarizado o del enchufe a tierra. Un enchufe polarizado tiene dos clavijas, una más ancha que la otra. Un enchufe a tierra tiene dos clavijas y un tercer terminal de puesta a tierra. La clavija ancha o el terminal de puesta a tierra se proveen para proteger al usuario. Si el enchufe del equipo no entra en la toma, consulte a un electricista para cambiar el tomacorriente (puede variar según el país).



- Asegúrese de que el cable de alimentación esté protegido para evitar que lo pisen o aplasten, especialmente en los enchufes, los tomacorrientes o el punto de salida desde el aparato.



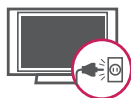
- Use únicamente los accesorios recomendados por el fabricante.



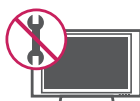
- Use el producto únicamente en mesas portátiles, pies, trípodes, soportes o mesas indicados por el fabricante o provistos con el aparato. Al emplear una mesa portátil, tenga cuidado al moverla con el aparato encima, para evitar daños por caídas.



- Desenchufe el aparato durante tormentas eléctricas o si no planea usarlo durante un periodo prolongado.



- Consulte todas las cuestiones de servicio de mantenimiento al personal de servicio calificado. El servicio es necesario cuando el aparato sufre algún tipo de daño, por ejemplo, cuando un cable de suministro eléctrico o un conector está dañado, se derrama líquido o se cae un objeto dentro del aparato, el aparato se expone a la lluvia o a la humedad, no funciona en forma normal o sufre una caída.



- No inserte objetos de metal u otro material conductor en el cable de alimentación. No toque el extremo del cable de alimentación mientras esté enchufado.



- Mantenga el material de embalaje contra la humedad y el embalaje de vinilo fuera del alcance de los niños. El material contra la humedad es dañino si se ingiere. Si se ingiere por accidente, obligue a la persona a vomitarlo y acuda al hospital más cercano. Además, el embalaje de vinilo puede provocar asfixia. Manténgalo fuera del alcance de los niños.
- **PRECAUCIÓN** con respecto al cable de alimentación (puede variar según el país): Se recomienda colocar los aparatos en un circuito específico, es decir, un tomacorriente único que alimente solamente al aparato, y que no tenga otros tomacorrientes ni circuitos derivados. Consulte la página de especificaciones en el manual del usuario. No conecte demasiados aparatos a la misma toma de corriente de CA, dado que podría provocar incendios o descargas eléctricas. No sobrecargue los tomacorrientes de la pared. Asegúrese de que los tomacorrientes de la pared no estén sobrecargados, sueltos ni dañados, y que los alargues, los cables de alimentación y el aislamiento de los cables no estén desgastados, ya que estas condiciones son peligrosas. Cualquiera de estos casos podría provocar incendios o descargas eléctricas. Examine regularmente el cable del aparato; si le parece que está dañado o deteriorado, desenchúfelo y no use más ese cable. Llame al personal de servicio técnico autorizado para que lo reemplace por uno exactamente igual. Proteja el cable de alimentación de daños físicos o mecánicos, es decir, que no se tuerza, doble, deforme, que no quede atrapado al cerrar una puerta y que no lo pisen. Preste especial atención a los enchufes, tomacorrientes de la pared y al punto de salida del cable en el aparato. No mueva el televisor con el cable de alimentación enchufado. No use un cable de alimentación que esté suelto o dañado. Al desenchufar el cable, asegúrese de hacerlo desde el enchufe. No tire del cable para desenchufar el televisor.

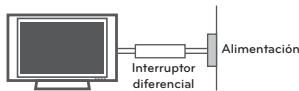
- **Advertencia** - para disminuir los riesgos de incendio o descargas eléctricas, no exponga el producto a la lluvia, la humedad u otro tipo de líquidos. No toque el televisor con las manos mojadas. No instale el producto cerca de objetos inflamables como combustible o velas, ni lo exponga al aire acondicionado directo.



- No exponga el producto a ningún tipo de goteo ni salpicaduras, y no coloque sobre o por encima del televisor (por ejemplo, en estantes que pudieran encontrarse arriba de la unidad) ningún tipo de objeto que contenga líquido, como floreros, tazas, etc.



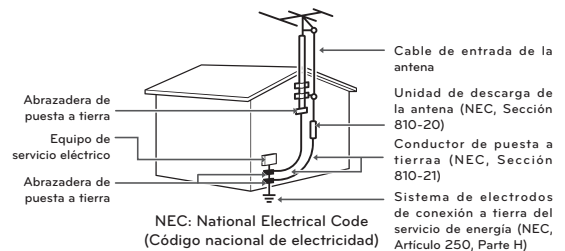
- **Puesta a tierra**
(Excepto dispositivos sin conexión a tierra.) Asegúrese de que el cable de puesta a tierra esté conectado para evitar descargas eléctricas (es decir, un televisor con un enchufe de CA de tres clavijas debe conectarse a un tomacorriente de CA con puesta a tierra de tres clavijas). Si no puede colocarse ninguna puesta a tierra, solicite a un electricista calificado que instale un disyuntor. No intente improvisar una puesta a tierra con conexiones a cables de teléfono, pararrayos o caños de gas.



- **DESCONECTE EL DISPOSITIVO DE LA FUENTE DE ALIMENTACION PRINCIPAL**
El enchufe de conexión a la red de electricidad es el dispositivo de desconexión. Este enchufe debe permanecer siempre disponible.

- Mientras la unidad esté conectada al tomacorriente de CA de la pared, no se desconectará de la fuente de alimentación de CA, aún cuando el aparato esté apagado.
- No intente modificar este producto de ninguna manera sin autorización previa por escrito de LG Electronics. Cualquier tipo de modificación sin autorización previa podría anular la autoridad del usuario para usar el producto.
- **ANTENAS - Puesta a tierra con una antena exterior** (puede variar según el país): Si instala una antena exterior, tome las siguientes precauciones. No se debe instalar el sistema de antena exterior cerca de las líneas aéreas de transmisión de energía, de ningún circuito o luz eléctrica, ni en ningún lugar donde pudiera entrar en contacto con este tipo de cables eléctricos o circuitos, dado que podría provocar daños graves o incluso la muerte. Asegúrese de que el sistema de antena tenga una puesta a tierra para proteger contra sobretensiones y acumulaciones de cargas estáticas. La Sección 810 del Código nacional de electricidad (NEC) de los Estados Unidos establece la forma de realizar una puesta a tierra correcta del mástil, de la estructura de soporte, del cable de bajada a una unidad de descarga de la antena, el tamaño de los conductores de puesta a tierra, la ubicación de la unidad de descarga de la antena, y la conexión y los requisitos de los electrodos de puesta a tierra

Puesta a tierra de la antena según el Código nacional de electricidad, ANSI/NFPA 70



- **Limpieza**

Al efectuar la limpieza, desenchufe el cable de alimentación y limpie suavemente con un paño suave para no rayar la superficie. No rocíe con agua ni otros líquidos directamente sobre el televisor, dado que podría provocar una descarga eléctrica. No limpie con productos químicos como alcohol, diluyentes o bencina.

- **Traslados**

Asegúrese de que el aparato esté apagado, desenchufado y que no quede ningún cable conectado. Es posible que se necesiten dos personas para trasladar los televisores de gran tamaño. No ejerza presión ni empuje el panel frontal del televisor.

- **Ventilación**

Instale el televisor en un lugar bien ventilado. No lo coloque en un lugar cerrado como, por ejemplo, un estante para libros. No cubra el producto con telas ni ningún otro material mientras esté enchufado. No lo instale en lugares con demasiado polvo.

- Si huele humo u otros olores que provienen de la TV, desconecte el cable de alimentación y comuníquese con un centro de servicio autorizado.
- No ejerza demasiada presión sobre el panel con la mano ni con objetos punzantes, como un clavo, una lapicera o un lápiz, ni raye la superficie.
- Mantenga el aparato alejado de la luz solar directa.



- Nunca toque el aparato o la antena durante una tormenta eléctrica o con truenos.
- Al montar el televisor en la pared, asegúrese de que los cables de alimentación y de señal no queden colgando en la parte posterior.
- No permita que se golpee el producto o que algún objeto se caiga dentro de él, ni que se golpee la pantalla.

- **Aparición de puntos**

El panel de plasma o LCD es un producto de alta tecnología con una resolución de entre dos y seis millones de píxeles. En raras ocasiones, es posible que note la presencia de pequeños puntos en la pantalla mientras mira televisión. Estos puntos son píxeles desactivados y no afectan el rendimiento ni la fiabilidad del televisor.

- **Reproducción de ruidos**

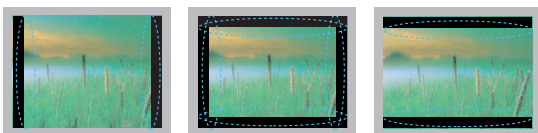
“Crujidos”: es posible que se produzcan crujidos cuando esté mirando televisión o al apagar el televisor; se trata de un ruido generado por la contracción térmica del plástico debido a la temperatura y la humedad. Este ruido es común en productos donde se requiere la deformación térmica. Zumbidos en el circuito eléctrico o el panel: se trata de un ruido de bajo nivel, generado por un circuito de conmutación de alta velocidad, que suministra una gran cantidad de corriente para que un producto pueda funcionar. Varía según cada producto. Este ruido no afecta el rendimiento ni la fiabilidad del producto.

- Tenga cuidado de no tocar las aberturas de ventilación. Al mirar televisión durante largos periodos, las aberturas de ventilación pueden calentarse. Esto no afecta el rendimiento ni causa defectos en el producto.
- Si siente que el televisor está frío al tocarlo, es posible que ocurra un pequeño “parpadeo” cuando lo prenda. Se trata de algo normal y no significa que el televisor esté dañado. También es posible que aparezcan pequeños puntos en la pantalla, de color rojo, verde o azul. Sin embargo, no afectan el rendimiento del televisor. No toque la pantalla LCD ni coloque los dedos sobre ella durante mucho tiempo. Esto podría producir algunos efectos de distorsión temporales en la pantalla.

DESECHO (la lámpara de mercurio solo se utiliza en televisores LCD)

Este producto tiene una lámpara fluorescente que contiene una pequeña cantidad de mercurio. No tire este producto junto con los desechos domésticos comunes. Debe desecharse conforme las disposiciones de la autoridad local.

Cómo evitar el efecto de "degradación de la imagen por sobreexposición" o "quemadura de pantalla" del televisor



- Si se muestra una imagen fija en la pantalla del televisor durante un período largo, esta quedará impresa y se convertirá en una distorsión permanente de la pantalla. A este desperfecto se lo conoce como "degradación de la imagen por sobreexposición" o "quemadura de pantalla" y no está cubierto por la garantía.
- Si la relación de aspecto del televisor se establece durante mucho tiempo en 4:3, se puede producir una degradación de imagen en las zonas de bandas del formato buzón.
- Evite emitir imágenes fijas en la pantalla del televisor durante períodos prolongados (2 horas o más para LCD, 1 hora o más para TV de plasma) para evitar la degradación de imagen.

Ver imágenes en 3D

ADVERTENCIA

Entorno de visualización

- Tiempo de visualización
 - Cuando vea contenido en 3D, tome un descanso de 5 a 15 minutos cada hora. Ver contenido en 3D durante un período prolongado puede causar dolor de cabeza, mareos, fatiga o fatiga visual.

Personas que experimenten convulsiones por fotosensibilidad o enfermedades crónicas

- Algunos usuarios pueden experimentar convulsiones o síntomas anormales cuando se exponen a una luz destellante o a un patrón específico proveniente de contenido en 3D.
- No vea videos en 3D si experimenta náuseas, si está embarazada o sufre de una enfermedad crónica como epilepsia, afecciones cardíacas o enfermedades relacionadas con la presión arterial, etc.
- Se recomienda que las personas que sufran de ceguera estereoscópica o anomalías estereoscópicas no vean contenido en 3D. Puede experimentar imágenes dobles o incomodidad al ver contenido en 3D.
- Si sufre de estrabismo (visión cruzada), ambliopía (ojo vago) o astigmatismo, puede experimentar problemas al percibir la profundidad y sentir fatiga con facilidad debido a las imágenes dobles. Se recomienda tomar descansos más frecuentes que el adulto promedio.
- Si su vista experimenta variaciones entre su ojo derecho y su ojo izquierdo, realícese un examen a la vista antes de ver contenido en 3D.

Síntomas que requieren discontinuación o abstinencia de ver contenido en 3D

- No vea contenido en 3D cuando experimente fatiga debido a falta de sueño, exceso de trabajo o por el consumo de bebidas alcohólicas.
- Si experimenta éstos síntomas, deje de ver contenido en 3D y descanse hasta que los síntomas desaparezcan.
 - Consulte a su médico si los síntomas persisten. Entre los síntomas se pueden encontrar dolor de cabeza, dolor ocular, mareos, visión borrosa, incomodidad, imágenes dobles, incomodidad visual o fatiga.

 **PRECAUCIÓN**

Entorno de visualización

- Distancia de visualización
 - Mantenga una distancia de al menos dos veces la longitud diagonal de la pantalla cuando vea contenido en 3D. Si siente incomodidad al ver contenido en 3D, aléjese del TV.

Edad de visualización recomendada

- Infantes/Niños
 - Se prohíbe el uso y visualización de contenido en 3D a niños menores de 5 años de edad.
 - Los niños menores de 10 años de edad pueden reaccionar exageradamente y alborotarse demasiado debido a que su visión se encuentra en desarrollo (por ejemplo: tratar de tocar la pantalla o saltar hacia ella). Se requiere supervisar y dedicar atención especial a niños que vean contenido en 3D.
 - Los niños presentan una disparidad binocular para ver contenido en 3D mayor que la de los adultos, debido a que la distancia que separa los ojos es menor que la de los adultos. Por lo tanto, los niños perciben una profundidad estereoscópica mayor en comparación con los adultos al ver la misma imagen 3D.
- Adolescentes
 - Los adolescentes menores de 19 años de edad pueden recibir una mayor estimulación a la luz proveniente de videos en 3D. Recomiéndeles no ver videos en 3D durante un período de tiempo prolongado si están cansados.
- Personas mayores
 - Las personas de edad avanzada pueden percibir un efecto menor del contenido en 3D en comparación con los jóvenes. La distancia desde donde usted está sentado y el TV no debe ser inferior a la recomendada.

Use los anteojos 3D con precaución

- Asegúrese de usar anteojos 3D LG. De lo contrario, no podrá ver correctamente los videos en 3D.
- No use anteojos 3D en lugar de sus anteojos normales, anteojos de sol o gafas protectoras.
- Usar anteojos 3D modificados puede causar fatiga visual o imágenes distorsionadas.
- No guarde sus anteojos 3D a temperaturas extremadamente altas o bajas. Provocará que se deformen.
- Los anteojos 3D son frágiles y se rayan fácilmente. Siempre use una tela suave y limpia para limpiar las lentes. No raye las lentes de los anteojos 3D con objetos afilados ni las limpie con productos químicos.

LICENCIAS

Las licencias admitidas pueden variar según el modelo. Para obtener más información sobre las licencias, visite www.lg.com.



Fabricado con la licencia de Dolby Laboratories. "Dolby" y el símbolo de las dos D son marcas comerciales de Dolby Laboratories.



HDMI, el logotipo HDMI y High-Definition Multimedia Interface son marcas comerciales o marcas registradas de HDMI Licensing LLC.



ACERCA DE VIDEO DIVX: DivX® es un formato de video digital creado por DivX, LLC, una subsidiaria de Rovi Corporation. Este es un dispositivo oficial con certificación DivX Certified® que reproduce videos DivX. Visite divx.com si desea obtener más información y herramientas de software para convertir los archivos en videos DivX.

ACERCA DE LA FUNCIÓN DE VIDEO A PEDIDO DIVX: Este dispositivo con certificación DivX Certified® debe registrarse para reproducir películas de video a pedido DivX que se hayan adquirido. Para obtener su código de registro, busque la sección DivX VOD en el menú de configuración del dispositivo. Vaya a vod.divx.com para obtener más información sobre cómo realizar el registro.

"DivX Certified® para reproducir videos DivX® hasta HD 1080p, incluido el contenido premium".

"DivX®, DivX Certified® y los logotipos asociados son marcas comerciales de Rovi Corporation o sus subsidiarias y se utilizan bajo licencia".

"Cubierto por una o más de las siguientes patentes de los Estados Unidos: 7,295,673; 7,460,668; 7,515,710; 7,519,274".



Fabricado bajo licencia con los números de patente de los EE.UU: 5,956,674; 5,974,380; 6,487,535 y otras patentes emitidas y pendientes en todo el mundo. DTS, el símbolo & DTS y el símbolo en conjunto son marcas comerciales registradas & DTS 2.0+Digital Out es una marca comercial de DTS, Inc. El producto incluye el software. © DTS, Inc. Todos los derechos reservados.

AVISO SOBRE SOFTWARE DE CÓDIGO ABIERTO

Para obtener el código fuente de GPL, LGPL, MPL y otras licencias de fuente abierta, que se incluyen en este producto, visite <http://opensource.lge.com>.

Además del código fuente, se pueden descargar todos los términos de licencia, las exenciones de garantías y los derechos de autor mencionados.

Además, LG Electronics le proporcionará el código fuente abierto en CD-ROM por un valor que cubre el coste de realizar dicha distribución (como el coste de los medios, el envío y la manipulación) previa solicitud vía correo electrónico a opensource@lge.com. Esta oferta es válida por tres (3) años a partir de la fecha en que compre el producto.

CONTENIDO

2 INSTRUCCIONES DE SEGURIDAD IMPORTANTES

7 Ver imágenes en 3D

9 LICENCIAS

9 AVISO SOBRE SOFTWARE DE CÓDIGO ABIERTO

10 CONTENIDO

11 PROCEDIMIENTO DE INSTALACIÓN

11 MONTAJE Y PREPARACIÓN

- 11 Desempacar
- 13 Complementos opcionales
- 14 Componentes y botones
- 15 Levantar y trasladar el televisor
- 16 Configurar el televisor
 - 16 - Colocar el pie
 - 17 - Montar sobre una mesa
 - 18 - Sujetar los cables
 - 19 - Montar en la pared

20 ESTABLECER CONEXIONES

- 20 Conexión de una antena o un cable
- 21 Conexión a un receptor de HD, reproductor de DVD o VCR
 - 21 - Conexión HDMI
 - 22 - Conexión DVI a HDMI
 - 23 - Conexión a un teléfono móvil
 - 24 - Conexión por componente
 - 25 - Conexión compuesta
- 26 Conectarse a un PC
 - 26 - Conexión HDMI, Conexión DVI a HDMI o Conexión RGB
- 28 Conexión a un sistema de audio
 - 28 - Conexión de audio óptica digital
- 29 Conexión a un dispositivo USB

30 CONTROL REMOTO

- 30 Funciones del control remoto Mágico
- 31 - Cómo registrar el control remoto Mágico
- 31 - Cómo utilizar el control remoto Mágico
- 31 - Precauciones que debe seguir al utilizar el control remoto Mágico

32 MIRAR TV

- 32 Encender el televisor por primera vez

33 CÓMO UTILIZAR LA GUÍA DEL USUARIO

34 ESPECIFICACIONES

38 MANTENIMIENTO

- 38 Limpieza del TV
 - 38 - Pantalla, marco, gabinete y base
 - 38 - Cable de alimentación

38 SOLUCIÓN DE PROBLEMAS

! NOTA

- La imagen puede ser diferente a la de su televisor.
- El OSD (On Screen Display, Despliegue En la Pantalla) de su TV puede ser un poco diferente que este manual.
- Los menús y las opciones disponibles pueden variar según la fuente de entrada que utilice.
- Es posible que se agreguen nuevas funciones a este televisor en el futuro.

PROCEDIMIENTO DE INSTALACIÓN

- 1 Abra el paquete y asegúrese de que todos los accesorios estén incluidos.
- 2 Instale la base del televisor.
- 3 Conecte un dispositivo externo al televisor.
- 4 Asegúrese de que la conexión de red esté disponible.
Solo podrá usar las funciones de red del TV cuando se haya establecido la conexión a la red.

MONTAJE Y PREPARACIÓN

Desempacar

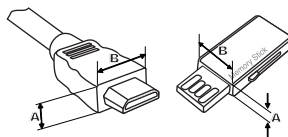
Verifique que la caja del producto contenga los siguientes elementos. Si falta algún accesorio, comuníquese con el distribuidor local mediante el cual adquirió el producto. Las ilustraciones de este manual pueden diferir del producto que usted adquirió.

PRECAUCIÓN

- No use ningún producto no autorizado para garantizar la seguridad y la vida útil del producto.
- Ningun daño o lesiones por el uso de elementos no autorizados no están cubiertos por la garantía.
- En algunos modelos, la película delgada sobre la pantalla forma parte del televisor. Por ese motivo, no debe quitarla.

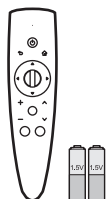
NOTA

- Los artículos suministrados con el producto adquirido pueden variar según el modelo.
- Es posible que cambien las especificaciones del producto o el contenido del manual sin previo aviso debido a las actualizaciones de las funciones del producto.
- Para que la conexión sea óptima, los cables HDMI y los dispositivos USB tienen que tener biseles que no superen los 10 mm (0,39 pulgada) de espesor y 18 mm (0,7 pulgada) de ancho.
- Utilice un cable de extensión que sea compatible con USB 2.0, en caso de que el cable USB o la tarjeta de memoria USB no encajen en el puerto USB del TV.



*A ≤ 10 mm (0.39 pulgada)

*B ≤ 18 mm (0.7 pulgada)



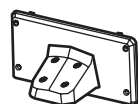
Control remoto Mágico y baterías (AA)
(Consulte p.30)



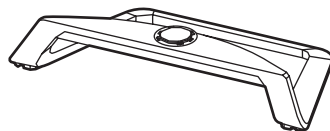
Anteojos 3D para cine
La cantidad de anteojos 3D puede variar según el modelo o el país.



Anteojos Dual Play
La cantidad de anteojos Dual Play puede variar según el modelo o el país.



Cuerpo de Soporte
(Consulte p.16)

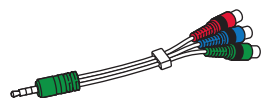


Base Soporte
(Consulte p.16)

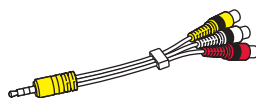


Tornillos de soporte
8 PZ, M4 x 20
(Consulte p.16)

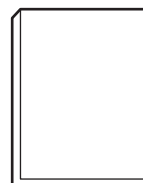
ESPAÑOL



Cable de video componente
(Consulte p.24)



Cable de video compuesto
(Consulte p.24, 25)



Manual del usuario



Paño de limpieza
(Según los modelos)
Úselo para quitar el polvo del gabinete.

Complementos opcionales

Los complementos opcionales se pueden cambiar o modificar para mejorar la calidad, sin necesidad de aviso previo.

Para adquirir estos elementos, comuníquese con su distribuidor.

Estos dispositivos solo funcionarán en ciertos modelos.



AN-MR300
Control remoto Mágico



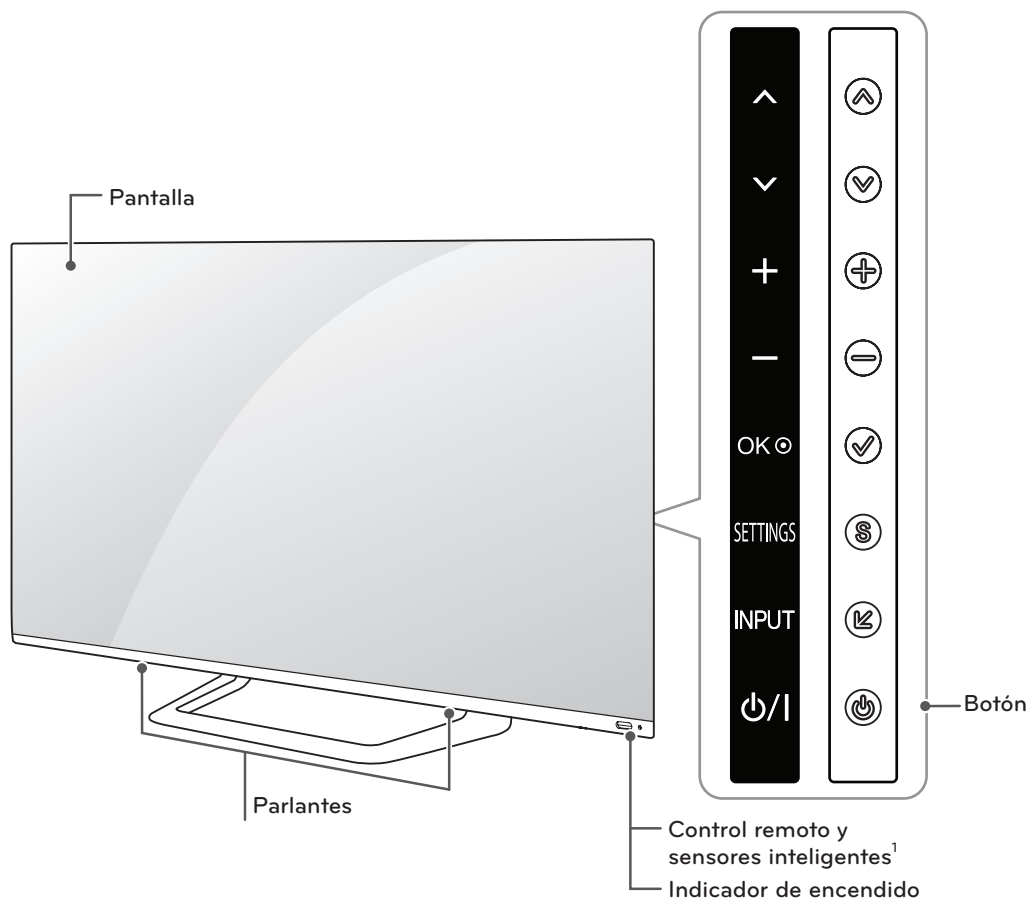
AG-F2, AG-F3****
Anteojos 3D para cine



AG-F2DP, AG-F3**DP**
Anteojos Dual Play

Es posible que el nombre o el diseño del modelo hayan cambiado, debido a las circunstancias o políticas del fabricante.

Componentes y botones



ESPAÑOL

Botón	Descripción
▲ / ▼ (^ / v)	Permite desplazarse por los canales guardados.
⊕ / ⊖ (+ / -)	Ajusta el nivel del volumen.
✓ (OK ◉)	Selecciona la opción de menú resaltada o confirma una entrada.
Ⓢ (SETTINGS)	Permite acceder a los menús principales o guardar las entradas y salir de los menús.
Ⓜ (INPUT)	Cambia la fuente de entrada.
Ⓜ (Ⓜ / I)	Enciende o apaga el aparato.

1 Sensor inteligente - Ajusta la calidad y brillo de la imagen basada en ambiente a su alrededor.

Levantar y trasladar el televisor

Si desea levantar o trasladar el televisor, lea las instrucciones a continuación para no rayar o dañar el aparato, y para transportarlo de forma segura, independientemente del tamaño o tipo de aparato.

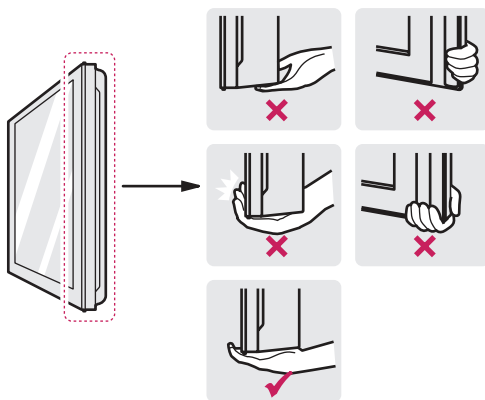
PRECAUCIÓN

- No toque la pantalla. De lo contrario, podría dañarla.

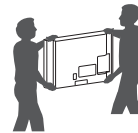
- Se recomienda trasladar el televisor en la caja o el material de embalaje en el que lo recibió al comprarlo.
- Antes de mover o levantar el televisor, desconecte el cable de alimentación y el resto de los cables.
- Cuando sostenga el televisor, la pantalla debe quedar alejada de usted para evitar algún daño.



- Sostenga con firmeza la parte superior e inferior del marco del televisor. Asegúrese de no sostenerlo por la parte transparente, por el parlante o por el área de rejillas de los parlantes.



- Si desea transportar un televisor grande, necesita la ayuda de dos personas como mínimo.
- Al transportar el televisor con las manos, sosténgalo como se indica en esta ilustración.



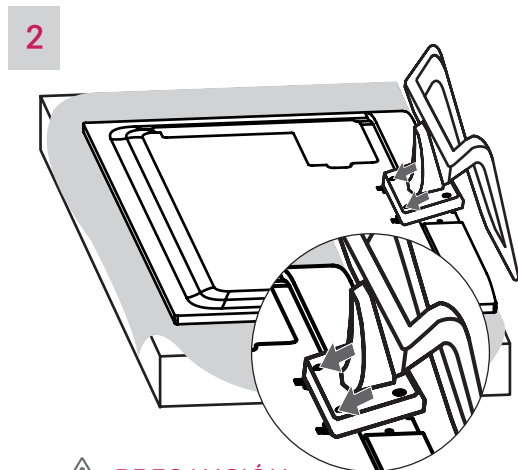
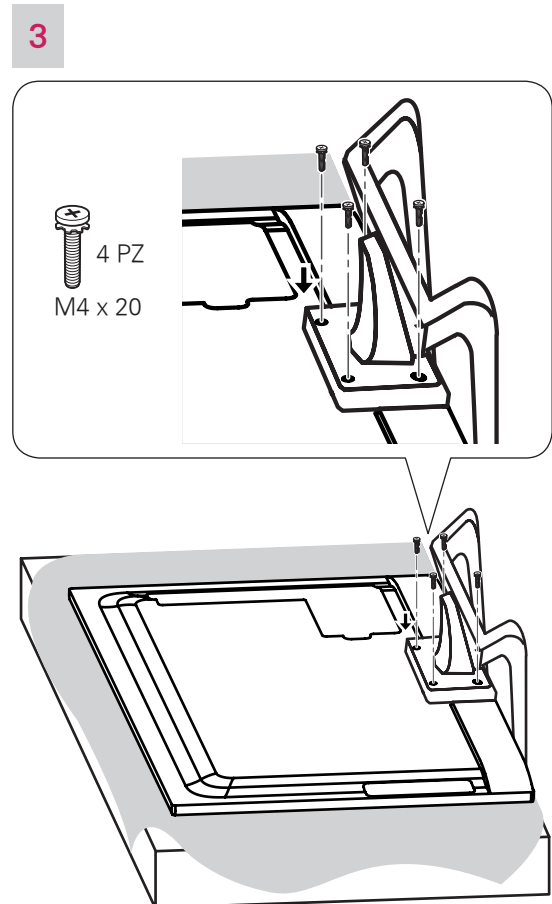
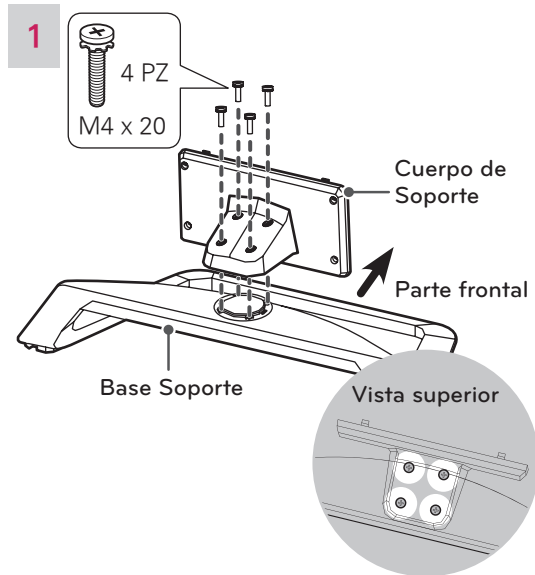
- Al transportar el televisor, no lo someta a sacudones o vibración excesiva.
- Al transportar el televisor manténgalo en posición vertical, nunca lo apoye sobre uno de los costados, ni lo incline hacia la derecha o la izquierda.

Configurar el televisor

Coloque el televisor en un soporte de pedestal sobre una mesa o la pared.

Colocar el pie

Si no instala el televisor en una pared, siga estas instrucciones para colocar el pie.



⚠ PRECAUCIÓN

- Al instalar la base del televisor, ponga la pantalla hacia abajo sobre una mesa acolchada o una superficie plana para evitar rayas.

⚠ PRECAUCIÓN

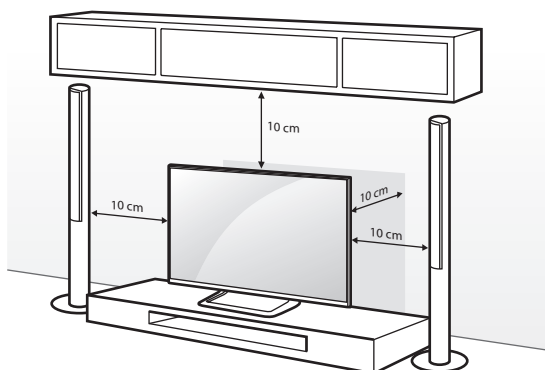
- Asegúrese de que los tornillos estén completamente ajustados. (Si no están lo suficientemente ajustados, el TV puede inclinarse hacia delante después de instalarse.)
- No ajuste los tornillos con demasiada fuerza, de lo contrario, se pueden desgastar y aflojar.

ⓘ NOTA

- Antes de montar el televisor en la pared, retire la base, realizando la instalación de ésta en orden inverso.

Montar sobre una mesa

- 1 Levante el televisor y déjelo en posición vertical sobre la mesa.
 - Deje un espacio mínimo de 10 cm entre el televisor y la pared para asegurar una ventilación adecuada.



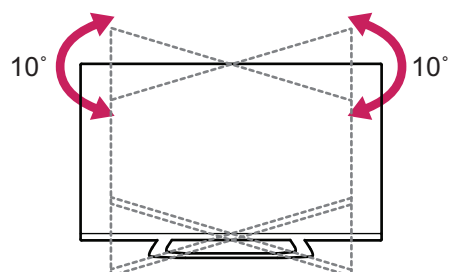
- 2 Conecte el cable de alimentación al tomacorriente de la pared.

⚠ PRECAUCIÓN

- No colocar la television cerca de fuentes de calor, puede resultar quemada u ocasionar otro daño.

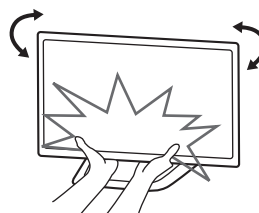
Ajuste el ángulo del TV para una mejor visibilidad

Rote el aparato 10 grados hacia la izquierda o la derecha y ajuste el ángulo del televisor según su preferencia.



⚠ PRECAUCIÓN

- Al ajustar el ángulo del televisor, tenga cuidado con sus dedos.
 - Si los dedos o las manos quedan atrapados, se pueden provocar lesiones corporales. Si el producto se inclina demasiado, podría caerse, lo que podría provocar lesiones o daños.

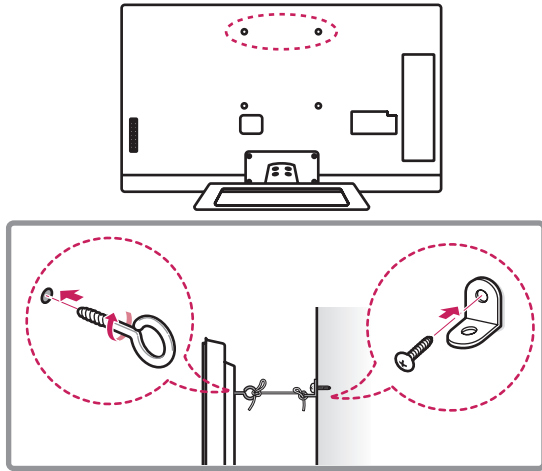


Parte delantera



Parte posterior

Fijación del televisor a la pared (opcional)



- 1 Inserte y ajuste los tornillos de ojo del televisor en su parte posterior.
- En caso de que haya tornillos insertados, primero retírelos.
- 2 Utilice los tornillos para colocar los soportes correspondientes en la pared.
Acople el soporte de la pared con los tornillos de ojo a la parte posterior del televisor.
- 3 Conecte los tornillos de ojo y los soportes con un cordón fuerte y ajústelos con firmeza.
Asegúrese de mantener el cordón en posición horizontal a la superficie plana.

PRECAUCIÓN

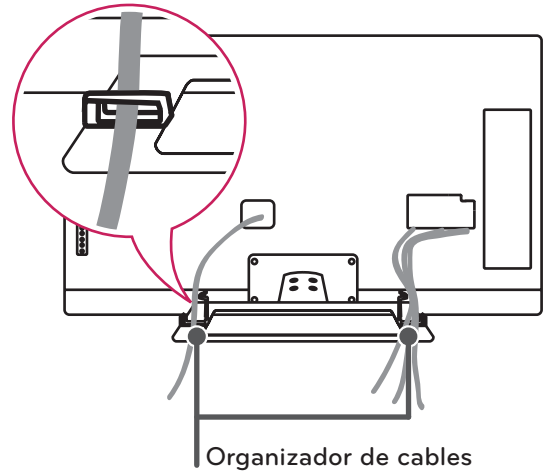
- Asegúrese de que los niños no se suban al televisor ni se cuelguen de él.

NOTA

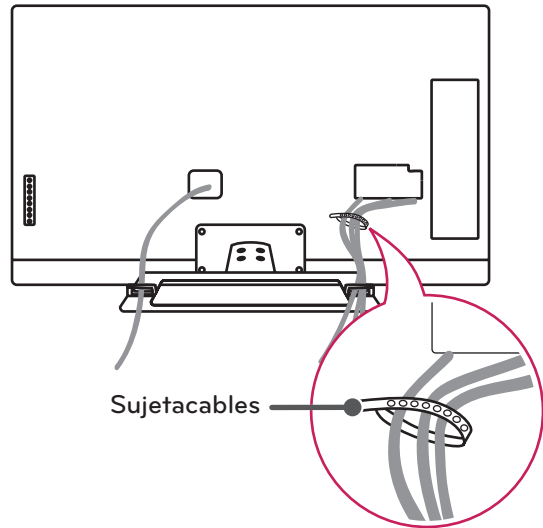
- Utilice una plataforma o un armario que sea lo suficientemente fuerte y grande para sostener el televisor de manera segura.
- Los soportes, los tornillos y los cordones son opcionales. Puede solicitar otros accesorios a través de su distribuidor local.

Sujetar los cables

- 1 Agrupe y ate los cables con la abrazadera correspondiente.



- 2 Agrupe y ate los cables con el sujetacables.



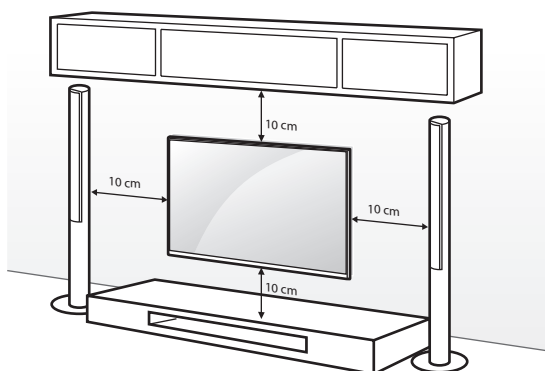
PRECAUCIÓN

- No mueva el televisor tirando del sujetacables, dado que podría romperse y provocar lesiones o dañar el televisor.

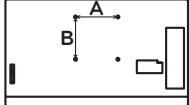
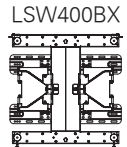

Montar en la pared

Coloque con cuidado un soporte de pared opcional en la parte posterior del televisor e instálelo en una pared sólida, perpendicular al suelo. Para montar el televisor sobre otros materiales de construcción, póngase en contacto con personal técnico calificado.

Se recomienda utilizar un soporte de pared de la marca LG para montar el TV en una pared.



Asegúrese de usar tornillos y soportes de pared que cumplan con el estándar VESA. En la tabla siguiente se detallan las dimensiones de los conjuntos de montaje de pared.

Modelo	55LM9600	
VESA (A x B)	400 x 400	
		
Tornillo estándar	M6	
Cantidad de tornillos	4	
Soporte de pared (opcional)	 LSW400BX	 LSW420BX

PRECAUCIÓN

- Antes de mover o instalar el televisor, desconecte el cable de alimentación. De lo contrario, podría provocar una descarga eléctrica.
- Si instala el televisor en el cielo raso o en una pared inclinada, podría caerse y provocar lesiones graves. Utilice un soporte de pared autorizado por LG y comuníquese con el distribuidor local o con personal técnico calificado.
- No ajuste excesivamente los tornillos, dado que podría dañar el televisor y anular la garantía.
- Utilice tornillos y soportes de pared que cumplan con la norma VESA. La garantía no cubre daños o lesiones provocados por el uso incorrecto del aparato o de accesorios no autorizados.

NOTA

- Utilice los tornillos enumerados en las especificaciones del estándar VESA.
- El conjunto de montaje de pared incluye un manual de instalación y las piezas necesarias.
- El soporte de pared es opcional. Para obtener accesorios adicionales, comuníquese con su distribuidor local.
- La longitud de los tornillos puede variar según el tipo de soporte de pared. Asegúrese de utilizar la longitud adecuada.
- Para obtener más información, consulte el manual suministrado con el montaje de pared.

ESTABLECER CONEXIONES

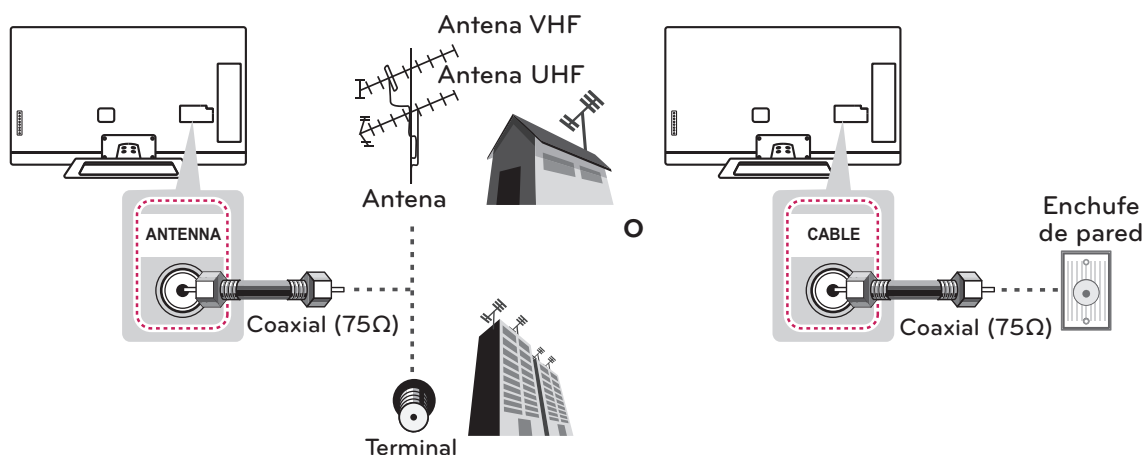
Conecte varios dispositivos externos al televisor y cambie los modos de entrada para seleccionar un dispositivo externo. Para obtener más información sobre cómo conectar dispositivos externos, consulte sus respectivos manuales. Entre los dispositivos externos disponibles pueden mencionarse los siguientes: receptores de HD, reproductores de DVD, VCR, sistemas de audio, dispositivos de almacenamiento USB, PC, dispositivos de juegos, etc.

! NOTA

- Si graba un programa de TV en una grabadora de DVD o VCR, asegúrese de conectar el cable de entrada de señal al televisor a través de uno de estos dos dispositivos. Para obtener más información acerca de la grabación, consulte el manual proporcionado con el dispositivo conectado.
- La conexión del dispositivo externo puede variar según el modelo.
- Conecte los dispositivos externos al televisor independientemente del orden del puerto del aparato.

Conexión de una antena o un cable

Para mirar televisión, conecte una antena, un cable o una caja de cable y siga estas instrucciones. Las ilustraciones pueden diferir de los elementos reales y el cable RF es opcional.

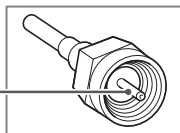


ESPAÑOL

! PRECAUCIÓN

- Asegúrese de no doblar el alambre de cobre del cable de RF.

Alambre de cobre



- Primero conecte todos los dispositivos entre sí y luego conecte el cable de alimentación al tomacorriente, para que el televisor no resulte dañado.

! NOTA

- Para mejorar la calidad de imagen en un área de baja señal, favor de comprar un amplificador de señal e instalar adecuadamente.
- Utilice un divisor de señal para más de 2 televisores.
- Si la antena no está correctamente instalada, póngase en contacto con su distribuidor.

Conexión a un receptor de HD, reproductor de DVD o VCR

Conecte un receptor de HD, reproductor de DVD o VCR al televisor y seleccione el modo de entrada apropiado.

Conexión HDMI

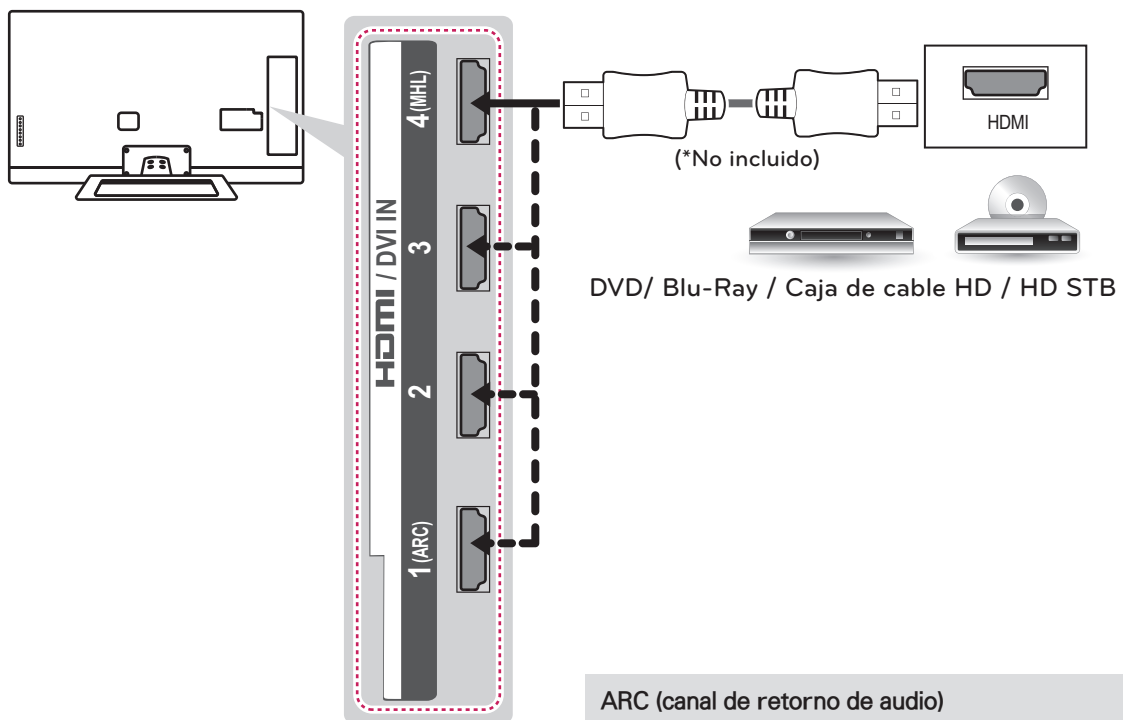
La conexión HDMI es la mejor manera de conectar un dispositivo.

Transmite las señales de audio y video digitales de un dispositivo externo al televisor. Conecte el dispositivo externo y el televisor con el cable HDMI tal como se muestra en la siguiente ilustración.

! NOTA

- Utilice el cable HDMI™ de alta velocidad más reciente con la función CEC (control electrónico por parte del cliente).
- Los cables HDMI™ de alta velocidad están probados para transportar señales HD de hasta 1 080 progresivo y superiores.

Escoja cualquier puerto de entrada HDMI para conectar. No importa qué puerto utilice.



! NOTA

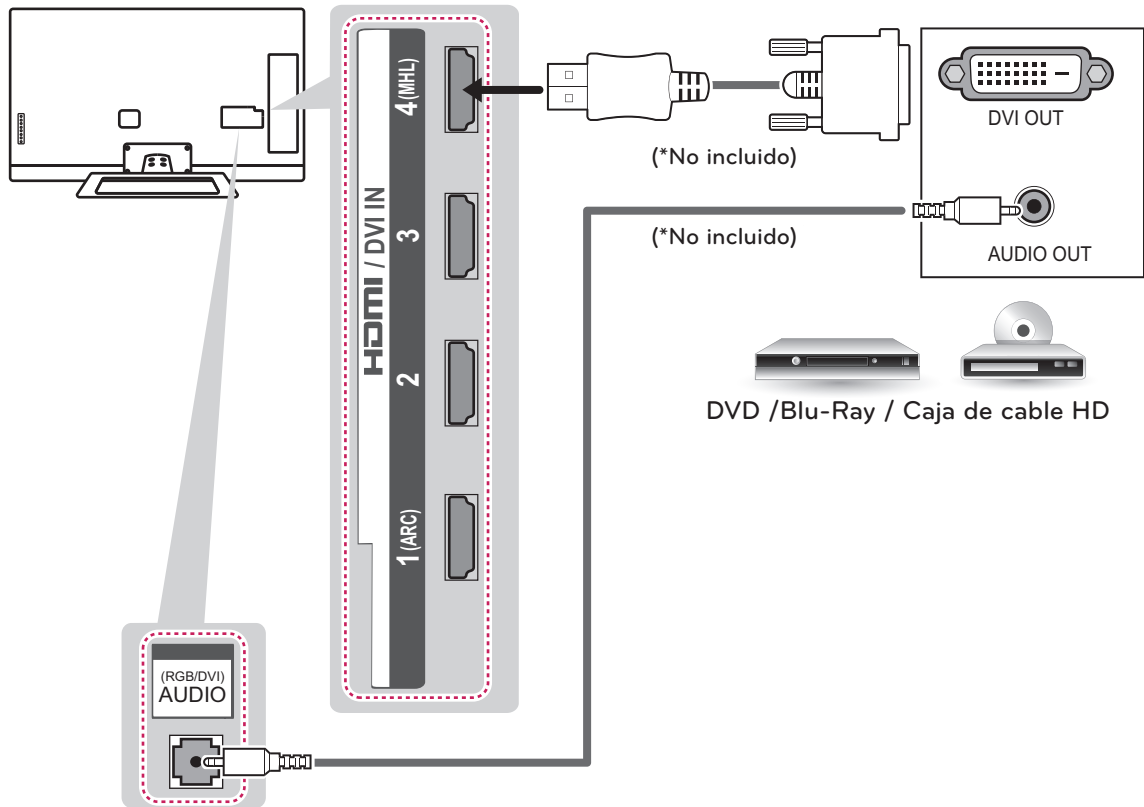
- Códec de audio DTV compatible: MPEG, AAC, HE-AAC
- Formato de audio HDMI compatible: Dolby Digital, PCM (hasta 192 KHz, 32k/44.1k/48k/88k/96k/176k/192k)
-> No compatible con DTS.

ARC (canal de retorno de audio)

- Al estar conectado un cable HDMI de alta velocidad, el audio digital puede enviarse a un dispositivo compatible sin un cable de audio óptico adicional.
- El canal de retorno de audio (ARC) solo es compatible con el puerto HDMI de entrada 1 (ARC). Si desea utilizar un canal de retorno de audio (ARC), deberá conectar un dispositivo de audio externo compatible con ARC a una entrada HDMI 1.

Conexión DVI a HDMI

Transmite las señales de video digital de un dispositivo externo al televisor. Conecte el dispositivo externo y el televisor con el cable DVI-HDMI tal como se muestra en la siguiente ilustración. Para transmitir una señal de audio, conecte un cable de audio.

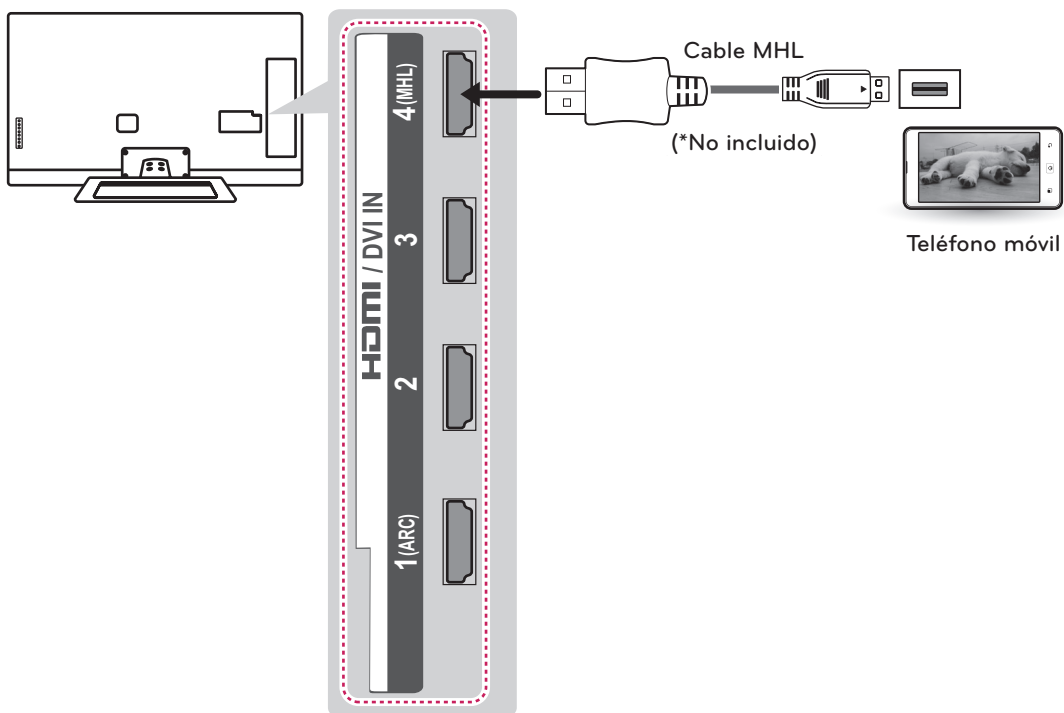


Conexión a un teléfono móvil

El enlace de alta definición móvil (MHL, por sus siglas en inglés) es una interfaz de transmisión de señales audiovisuales digitales de teléfonos móviles a televisores.

! NOTA

- Conecte el teléfono móvil al puerto HDMI/DVI IN 4 (MHL) para ver la pantalla del teléfono en el TV.
- Esto solo funciona en teléfonos habilitados con MHL.
- Algunas aplicaciones pueden funcionar con el control remoto.
- En algunos teléfonos móviles compatibles con MHL, es posible utilizar el Control remoto Magic.
- Se necesita el cable MHL pasivo para conectar el TV y un teléfono móvil.

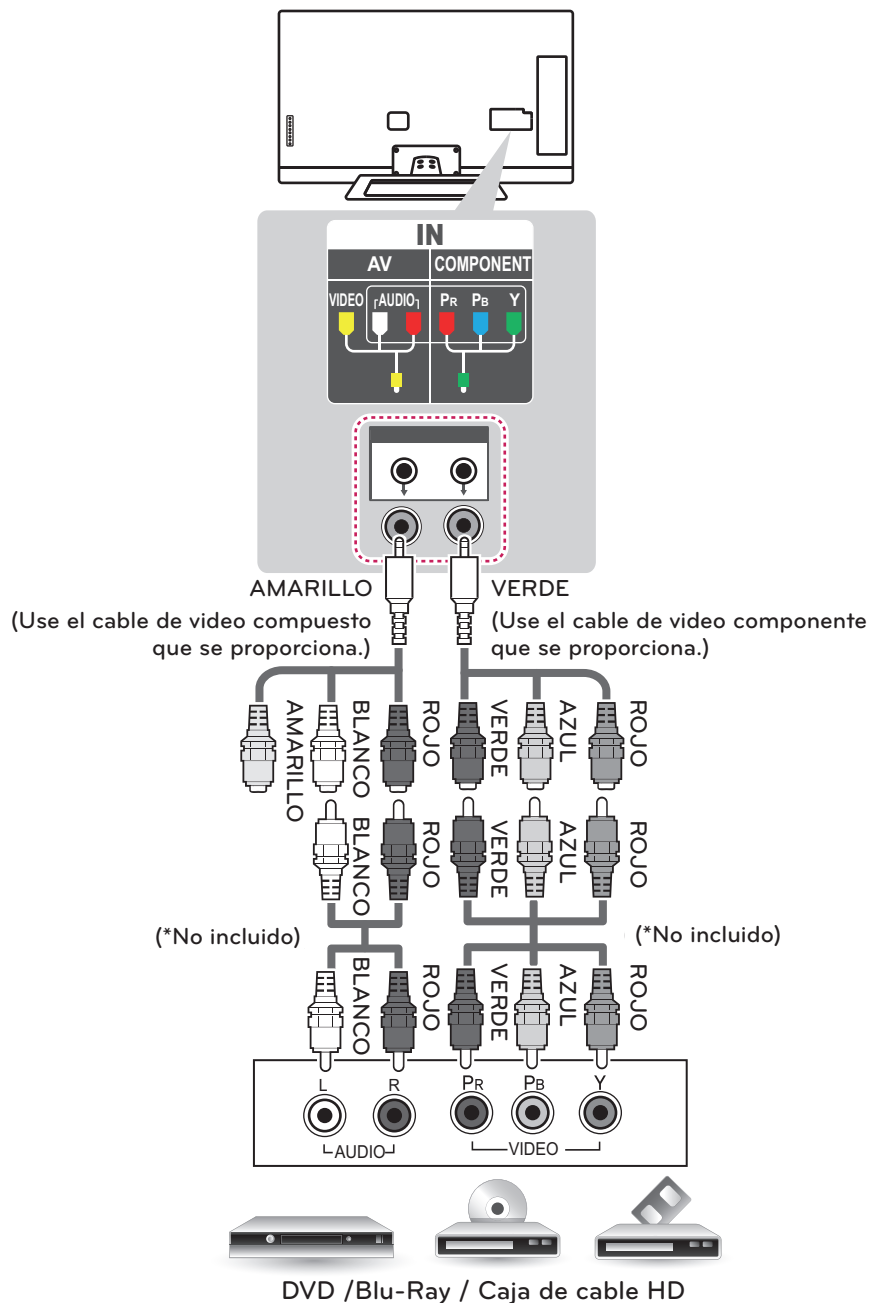


Conexión por componente

Transmite las señales de audio y video analógicas de un dispositivo externo al televisor. Conecte el dispositivo externo y el televisor con el cable componente tal como se muestra en la siguiente ilustración.

! NOTA

- Si la instalación de los cables no es la adecuada, podría proyectarse una imagen en blanco y negro o con colores distorsionados.
- **Revise y compruebe que los cables coincidan con las conexiones de color correspondientes.**



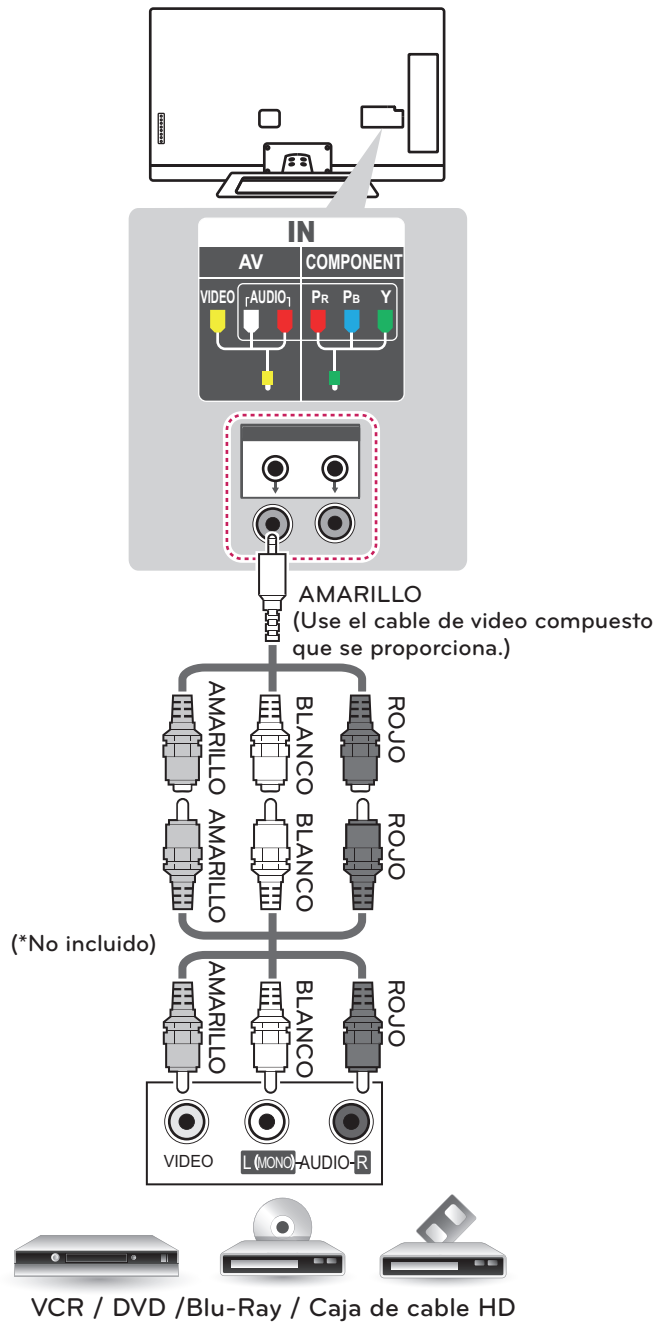
ESPAÑOL

Conexión compuesta

Transmite las señales de audio y video analógicas de un dispositivo externo al televisor. Conecte el dispositivo externo y el televisor con el cable compuesto tal como se muestra en la siguiente ilustración.

! NOTA

- Si posee una VCR monofónica, conecte el cable de audio de la VCR a la toma AUDIO L/MONO del televisor.
- **Revise y compruebe que los cables coincidan con las conexiones de color correspondientes.**



Conectarse a un PC

! NOTA

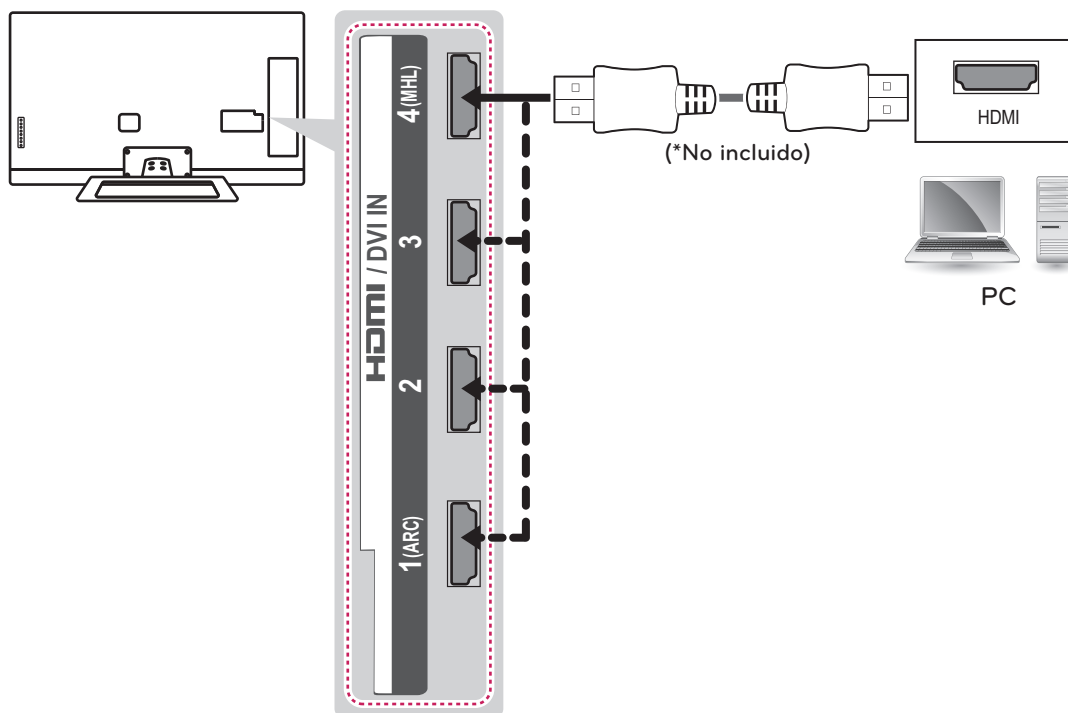
- Se recomienda utilizar el televisor con la conexión HDMI para obtener una calidad de imagen óptima.
- Según la tarjeta gráfica, es posible que no funcione el modo DOS cuando se utiliza un cable HDMI a DVI.
- En el modo PC, es posible que exista ruido asociado con la resolución, patrones verticales, contraste o brillo. Si se producen ruidos, cambie la resolución de la salida de la PC, cambie la frecuencia de actualización o ajuste el brillo y el contraste en el menú IMAGEN hasta que la imagen mejore.
- La forma de onda de la entrada de sincronización para las frecuencias horizontales y verticales es diferente.
- Según la tarjeta gráfica, es posible que algunos ajustes de resolución no permitan que la imagen se ubique en la pantalla de forma correcta.

Conexión HDMI, Conexión DVI a HDMI o Conexión RGB

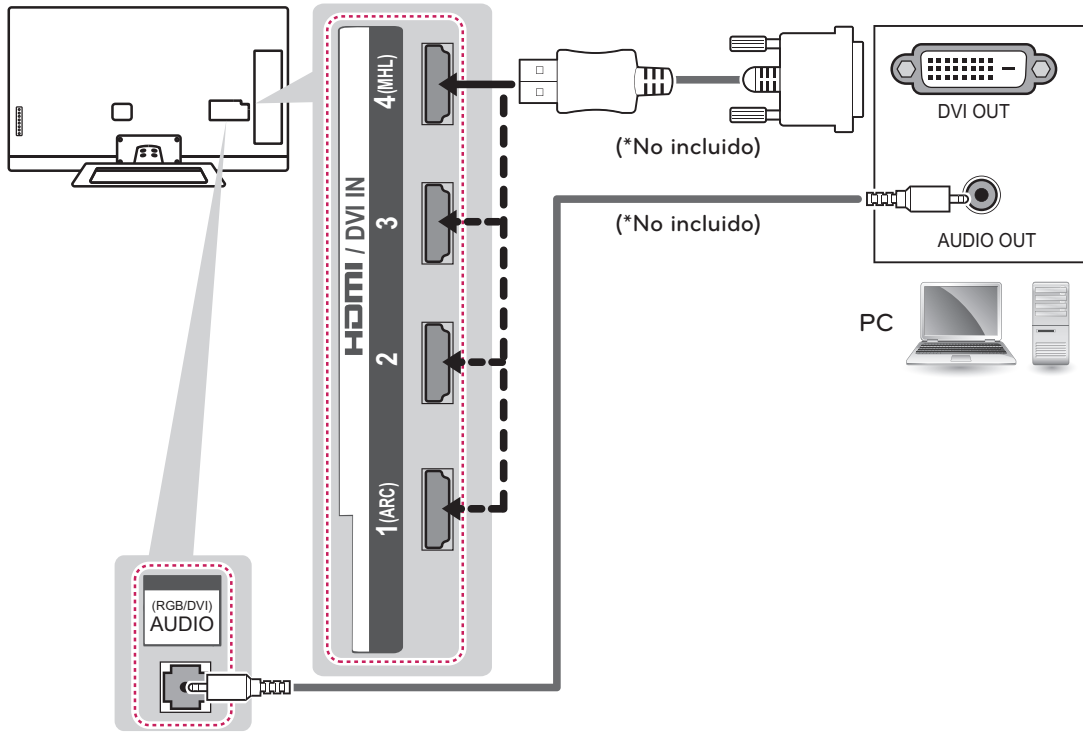
Escoja el método A, B o C para realizar la conexión.

Método A: Conexión HDMI

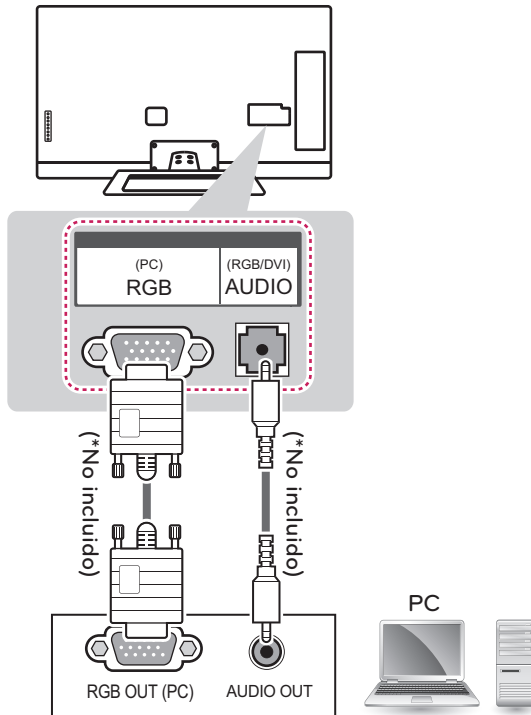
Escoja cualquier puerto de entrada HDMI para conectar.
Se recomienda conectar el DVI-HDMI a HDMI IN 4.



Método B: Conexión DVI a HDMI



Método C: Conexión RGB



Conexión a un sistema de audio

Utilice un sistema de audio externo opcional en lugar del parlante incorporado.

! NOTA

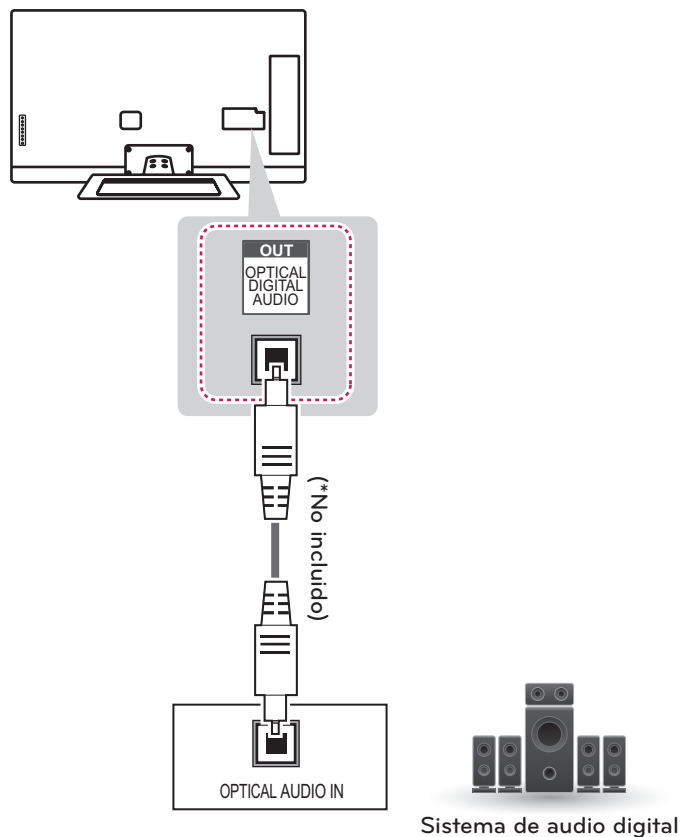
- Si utiliza un dispositivo de audio externo opcional en lugar del parlante incorporado, apague los parlantes del televisor.

Conexión de audio óptica digital

Transmite señales de audio digital del televisor a un dispositivo externo. Conecte el dispositivo externo y el televisor con el cable de audio óptico tal como se muestra en la siguiente ilustración.

! NOTA

- No mire hacia el puerto de salida óptica. Mirando el rayo láser puede dañar su visión.
- Audio de ACP (Protección de copiar Audio) puede bloquear la función de salida de audio digital.



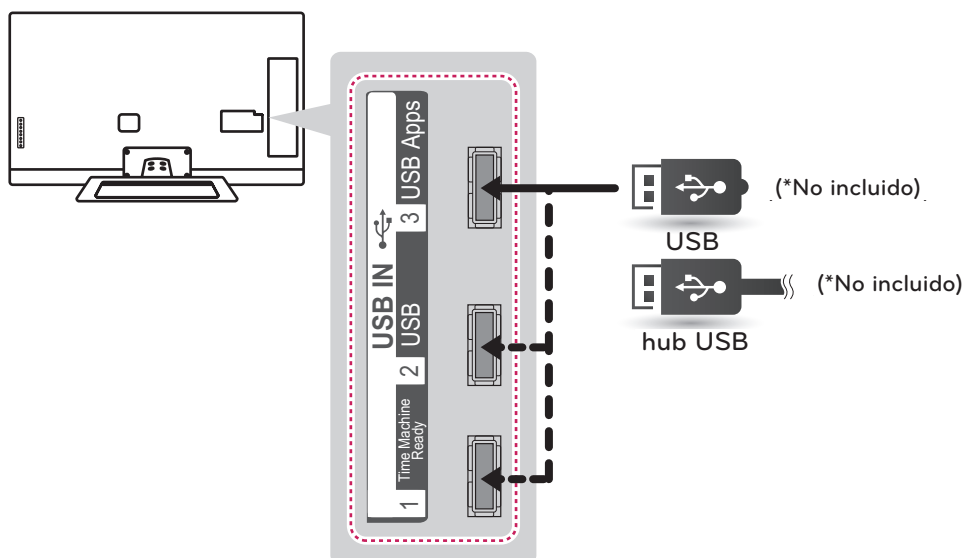
Conexión a un dispositivo USB

Conecte un dispositivo de almacenamiento USB como una memoria USB Flash, un disco duro externo o un lector de tarjetas de memoria USB al televisor y acceda al menú Mis medios para poder utilizar distintos archivos multimedia.

! NOTA

- Para utilizar la función máquina del tiempo, asegúrese de que esté conectado al puerto USB IN 1 Time Machine Ready.
- Para almacenar las aplicaciones en un dispositivo de almacenamiento USB, asegúrese de que está conectado al puerto USB en 3 puerto.
- Es posible que algunos concentradores USB no funcionen. Si no se detecta un dispositivo USB conectado mediante un concentrador USB, conéctelo directamente al puerto USB del TV.

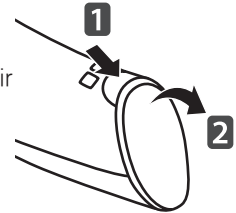
Escoja cualquier puerto de entrada USB para conectar.
No importa qué puerto utilice.



CONTROL REMOTO

Funciones del control remoto Mágico

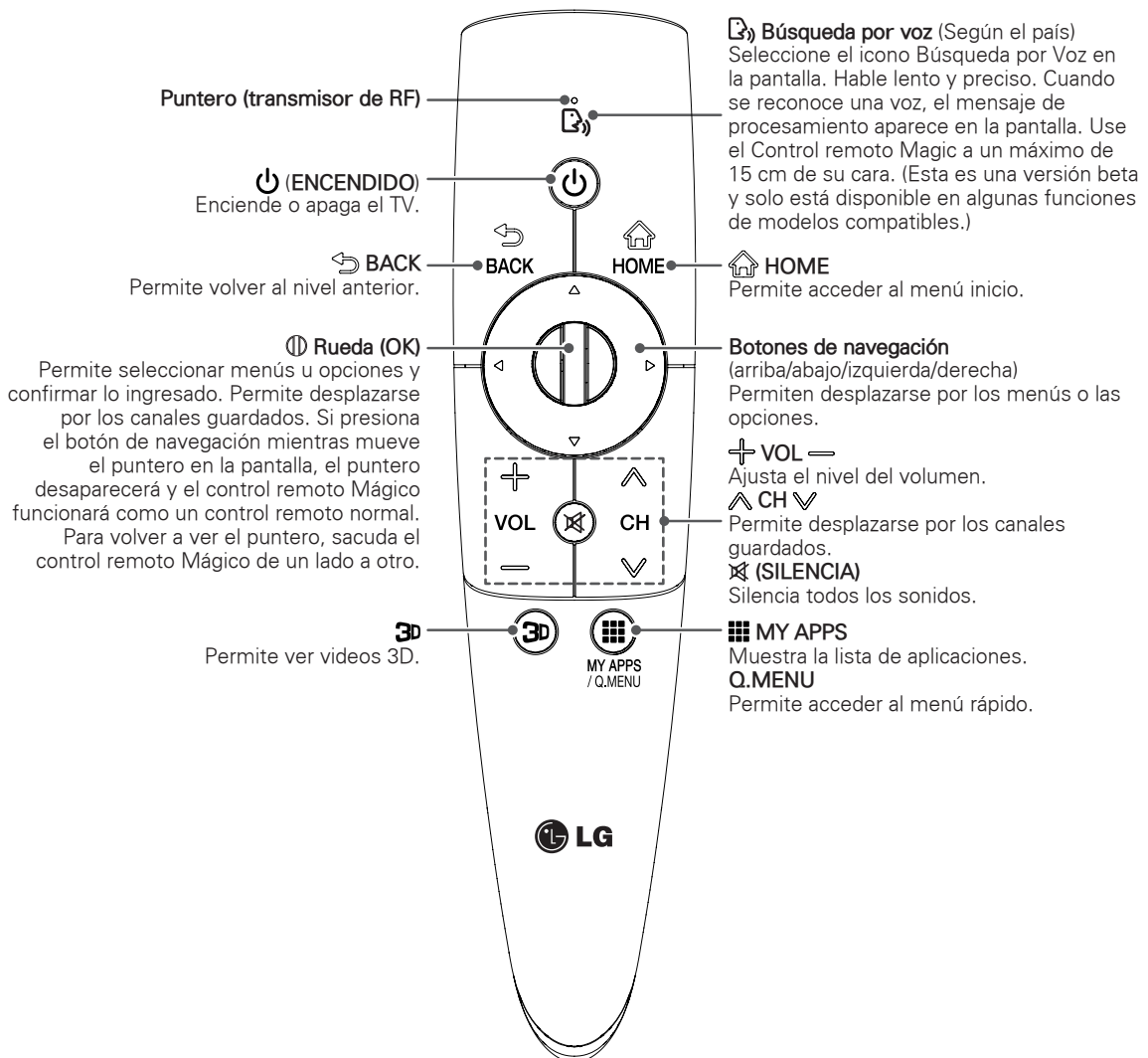
Cuando aparezca el mensaje "Batería baja en el mando a distancia Mágico. Cambie la batería.", reemplace la batería. Para reemplazar las baterías, abra la tapa del compartimiento de baterías, reemplace las baterías (AA de 1,5 V) ⊕ y ⊖ haga coincidir los extremos con la etiqueta que se encuentra dentro del compartimiento. A continuación, cierre la tapa. Asegúrese de que el control remoto apunte hacia el sensor correspondiente del TV. Para extraer las baterías, realice los pasos de instalación a la inversa.



⚠ PRECAUCIÓN

- No use baterías nuevas junto con otras usadas, ya que esto puede dañar el control remoto.

Asegúrese de que el control remoto apunte hacia el sensor correspondiente del TV.




Cómo registrar el control remoto Mágico


El control remoto Mágico funciona al vincularlo con el TV.

Luego de comprar el TV, registre el control remoto Mágico de la siguiente manera;


Cómo registrar el control remoto Mágico

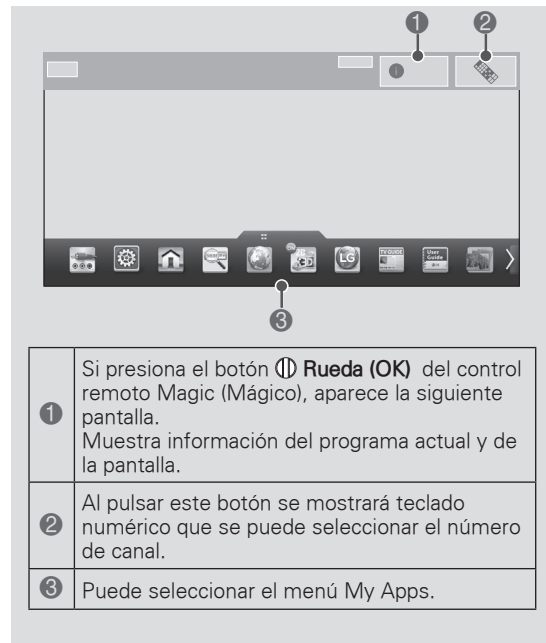
 (Rueda)	<p>Para registrarlo automáticamente, encienda el TV y presione la Rueda (OK). Cuando finalice el registro, aparece el mensaje de finalización en la pantalla.</p> <p>Si falla el registro, apague el y vuelva a encenderlo; luego presione la Rueda (OK) para finalizar el registro.</p>
--	--

Cómo volver a registrar el control remoto Mágico

 BACK HOME	<p>1 Mantenga presionados los botones BACK y HOME a la vez durante 5 segundos para restablecer el sistema, luego regístrelo siguiendo las instrucciones que se indican en la sección "Cómo registrar el control remoto Mágico" que está más adelante.</p> <p>2 Para volver a registrar el control remoto Magic (Mágico), mantenga presionado el botón BACK durante 5 segundos, apuntando hacia el TV.</p>
--	--

Cómo utilizar el control remoto Mágico

	<p>1 Para mover el puntero, apunte el receptor del puntero del control remoto hacia el TV y luego muévalo hacia la izquierda, hacia la derecha, hacia arriba o hacia abajo.</p> <p>» Si el puntero no funciona adecuadamente, no utilice el control remoto durante 10 segundos y luego vuelva a intentarlo.</p> <p>2 Si el puntero desaparece, mueva levemente el control remoto hacia la izquierda y derecha. Luego, aparecerá automáticamente en la pantalla.</p> <p>» El puntero desaparece cuando no se utiliza durante un período determinado.</p>
---	---



Precauciones que debe seguir al utilizar el control remoto Mágico

- Use el control remoto mágico dentro de la distancia de comunicación máxima (10 m; 32,8 pies). El uso del control remoto fuera de esta distancia o con un objeto que obstruya la comunicación puede provocar un error.
- Otros dispositivos cercanos pueden generar errores en la comunicación. Los dispositivos eléctricos como los hornos de microondas o un producto con una LAN inalámbrica pueden causar interferencias, ya que utilizan el mismo ancho de banda (2,4 GHz) que el control remoto Magic (Mágico).
- Este control remoto puede dañarse o funcionar mal si se cae o recibe un golpe fuerte.
- Al utilizar este control remoto Magic (Mágico), procure no golpearlo contra los muebles cercanos u otras personas.
- El fabricante y el instalador no pueden brindar servicios relacionados con la seguridad de las personas, ya que es posible que el dispositivo inalámbrico genere interferencias de ondas eléctricas.
- Se recomienda ubicar el punto de acceso (AP) a más de 1 m (3,28 pies) de distancia del TV. Si el punto de acceso se instala a una distancia menor que 1 m (3,28 pies), es posible que el control remoto Magic (Mágico) no funcione según lo esperado debido a la interferencia de las frecuencias.

MIRAR TV

Encender el televisor por primera vez

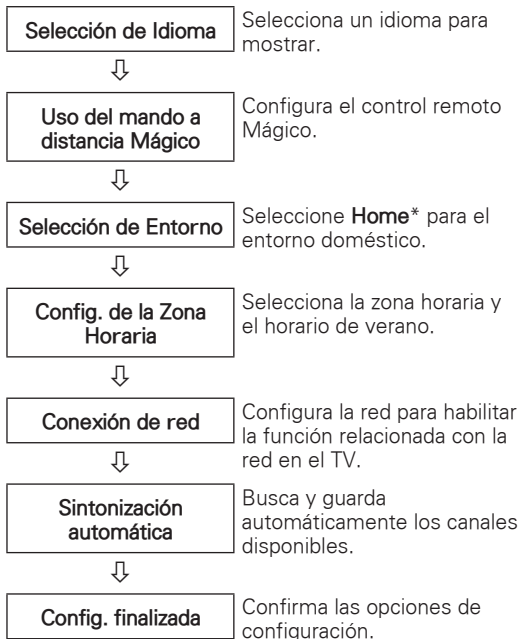
Al encender el televisor por primera vez, aparece la pantalla de configuración inicial. Seleccione un idioma y personalice la configuración básica.

- 1 Conecte el cable de alimentación a un tomacorriente.
- 2 En modo de espera, presione el botón de encendido en el control remoto para encender el televisor.
Si es la primera vez que enciende el televisor, aparecerá la pantalla de configuración inicial.

! NOTA

- Para acceder a **Configuración Inicial**, vaya a **OPCIÓN** en el menú principal.

- 3 Siga las instrucciones en pantalla para personalizar la configuración del televisor según sus preferencias.



! NOTA

- Seleccione **Hogar** cuando aparezca. El modo **Tienda** coloca el TV en el modo demo.
- Si selecciona **Tienda**, los ajustes personalizados se regresaran al ajuste de tienda en 5 minutos.

- 4 Una vez finalizada la configuración básica, presione **(Rueda)**.

! NOTA

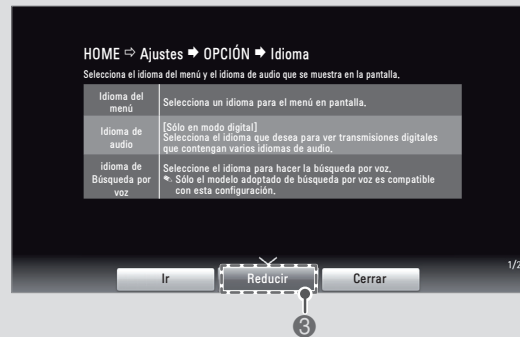
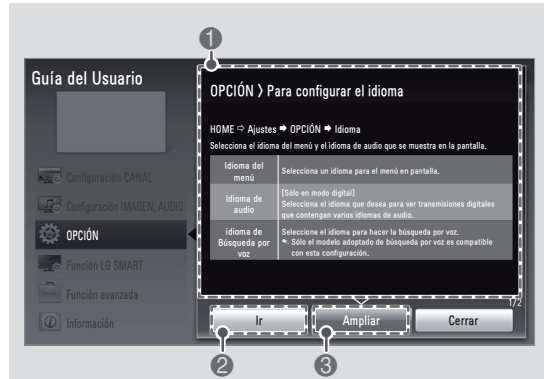
- Si no completa la configuración inicial, aparecerá cada vez que encienda el televisor.
- Desconecte el cable de alimentación del tomacorriente cuando no use el televisor durante periodos prolongados.

- 5 Para apagar el televisor, presione el botón de encendido en el control remoto.

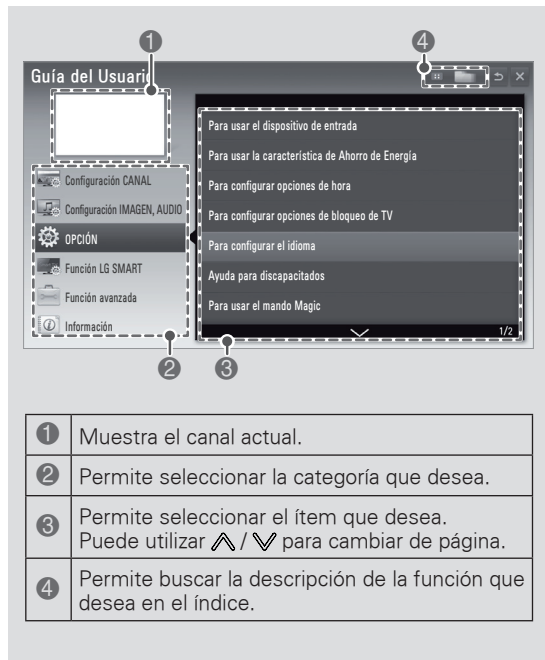
CÓMO UTILIZAR LA GUÍA DEL USUARIO

La Guía del usuario le permite acceder de forma más sencilla a la información detallada del TV.

- 1 Presione el botón **HOME** para ingresar al menú HOME.
- 2 Seleccione **Guía del Usuario** y presione el botón **Rueda (OK)**.



- | | |
|---|---|
| 1 | Muestra la descripción del menú seleccionado.
Puede utilizar ▲/▼ para cambiar de página. |
| 2 | Se traslada al menú seleccionado directamente desde la Guía del usuario. |
| 3 | Amplía o reduce el tamaño de la pantalla. |



- | | |
|---|--|
| 1 | Muestra el canal actual. |
| 2 | Permite seleccionar la categoría que desea. |
| 3 | Permite seleccionar el ítem que desea.
Puede utilizar ▲/▼ para cambiar de página. |
| 4 | Permite buscar la descripción de la función que desea en el índice. |

ESPECIFICACIONES

Las especificaciones del producto pueden cambiar sin previo aviso debido a las actualizaciones de las funciones de los productos.

Potencia requerida	AC 100 - 240 V ~ 50 / 60 Hz	
Sistema de televisión	NTSC, PAL-M/N, SBTVD	
Cobertura de programas	VHF 2-13, UHF 14-69, CATV 1-135	
Impedancia de antena externa	75 Ω	
Condición de ambiente	Temperatura de funcionamiento	0 a 40 °C
	Humedad de funcionamiento	Inferior al 80 %
	Temperatura de almacenamiento	-20 a 60 °C
	Humedad de almacenamiento	Inferior al 85 %

MODELOS		55LM9600 (55LM9600-SA)
Dimensiones (ancho x altura x profundidad)	Con pie	1 223,0 x 784,0 x 331,0 mm (48,1 x 30,8 x 13,0 pulg.)
	Sin pie	1 223,0 x 708,0 x 38,4 mm (48,1 x 27,8 x 1,5 pulg.)
Peso	Con pie	24,2 kg (53,3 libras)
	Sin pie	20,6 kg (45,4 libras)
Valor actual / consumo de energía		2,1 A / 210 W

Formatos 3D admitidos

- El video, que se presenta a continuación con contenidos multimedia de entrada, se convierte automáticamente en la pantalla 3D.

Formatos 3D admitidos automáticamente				
Entrada	Señal	Frecuencia horizontal (kHz)	Frecuencia vertical (Hz)	Formato de video en 3D reproducible
HDMI	640 x 480	31.469	59.94	Lado a lado (mitad), Arriba y abajo
		31.50	60	
		62.938	59.94	Frame Packing, Line Alternative
		63	60	
	480 progresivo	31.469	59.94	Lado a lado (mitad), Arriba y abajo, Lado a lado (completo)
		31.50	60	
		62.938	59.94	Frame Packing, Line Alternative
		63	60	
	576 entrelazado	15.625	50 (PAL)	Lado a lado (mitad), Arriba y abajo, Lado a lado (completo)
		31.25		Frame Packing, Field Alternative
	576 progresivo	31.25	50 (PAL)	Lado a lado (mitad), Arriba y abajo, Lado a lado (completo)
		62.50		Frame Packing, Line Alternative
	720 progresivo	37.50	50 (PAL)	Lado a lado (mitad), Arriba y abajo, Lado a lado (completo)
		44.96	59.94	
		45	60	
		75	50 (PAL)	Frame Packing, Line Alternative
		89.91	59.94	
	1080 entrelazado	28.125	50 (PAL)	Lado a lado (mitad), Arriba y abajo, Lado a lado (completo)
		33.72	59.94	
		33.75	60	
		56.25	50 (PAL)	Frame Packing, Field Alternative
		67.432	59.94	
	1080 progresivo	26.97	23.97	Lado a lado (mitad), Arriba y abajo, Lado a lado (completo)
		27	24	
		28.12	25 (PAL)	
		33.716	29.976	
		33.75	30	
		43.94	23.97	Frame Packing, Line Alternative
54		24		
56.24		25 (PAL)		
67.432		29.976		
67.5		30		
56.25		50 (PAL)	Lado a lado (mitad), Arriba y abajo	
67.43		59.94		
67.5		60		
USB DLNA	1080 progresivo	33.75	30	Lado a lado (mitad), Arriba y abajo, MPO (foto)

- Para modelos compatibles con WiDi, puede establecer el modo 3D de la misma manera que en el modo RGB (PC).

Formatos 3D admitidos manualmente

Entrada	Señal	Frecuencia horizontal (kHz)	Frecuencia vertical (Hz)	Formato de video en 3D reproducible	
HDMI - DTV	720 progresivo	37.50	50 (PAL)	2D a 3D, Lado a lado (mitad), Arriba y abajo, Secuencial de marco único	
		45.00	60		
	1080 entrelazado	28.12	50 (PAL)	2D a 3D, Lado a lado (mitad), Arriba y abajo	
		33.75	60		
	1080 progresivo		27.00	24	2D a 3D, Lado a lado (mitad), Arriba y abajo, Damero
			28.12	25 (PAL)	
33.75			30		
56.25			50 (PAL)		
		67.50	60	2D a 3D, Lado a lado (mitad), Arriba y abajo, Damero, Secuencial de marco único, Intercalación de filas, Intercalación de columnas	
HDMI - PC	1024 x 768	48.36	60	2D a 3D, Lado a lado (mitad), Arriba y abajo	
	1360 x 768	47.71			
	1920 x 1080	67.50		2D a 3D, Lado a lado (mitad), Arriba y abajo, Damero, Secuencial de marco único, Intercalación de filas, Intercalación de columnas	
	Otros	-		-	2D a 3D
RGB - PC	1024 x 768	48.36	60	2D a 3D, Lado a lado (mitad), Arriba y abajo	
	1360 x 768	47.71			
	1920 x 1080	67.50			
	Otros	-		-	2D a 3D
Componente	720 progresivo	37.50	50 (PAL)	2D a 3D, Lado a lado (mitad), Arriba y abajo	
		44.96	59.94		
		45.00	60		
	1080 entrelazado	28.12	50 (PAL)		
		33.72	59.94		
		33.75	60		
	1080 progresivo		26.97		23.976
			27.00		24
			28.12		25 (PAL)
			33.71		29.97
			33.75		30
			56.25		50 (PAL)
			67.432		59.94
			67.50		60
Otros	-	-	2D a 3D		
USB	1080 progresivo	33.75	30	2D a 3D, Lado a lado (mitad), Arriba y abajo, Damero, Intercalación de filas, Intercalación de columnas	
DLNA	1080 progresivo	33.75	30	(Foto: Lado a lado (mitad), Arriba y abajo)	

Entrada	Señal	Formato de video en 3D reproducible
DTV	HD	2D a 3D, Lado a lado (mitad), Arriba y abajo
	SD	2D a 3D

Modo HDMI (DTV) admitido

Resolución	Frecuencia horizontal (KHz)	Frecuencia vertical (Hz)
720 x 480 progresivo	31,47	59,94
	31,50	60,00
720 x 576 progresivo	31,25	50,00
1280 x 720 progresivo	37,50	50,00
	44,96	59,94
	45,00	60,00
1920 x 1080 entrelazado	28,125	50,00
	33,72	59,94
	33,75	60,00
1920 x 1080 progresivo	26,97	23,976
	27,00	24,00
	33,71	29,97
	33,75	30,00
	56,25	50,00
	67,432	59,94
	67,50	60,00

Modo de componente admitido

Resolución	Frecuencia horizontal (KHz)	Frecuencia vertical (Hz)
720 x 480 entrelazado	15,73	59,94
	15,73	60,00
720 x 480 progresivo	31,47	59,94
	31,50	60,00
720 x 576 entrelazado	15,625	50,00
720 x 576 progresivo	31,25	50,00
	37,50	50,00
1280 x 720 progresivo	44,96	59,94
	45,00	60,00
	28,125	50,00
1920 x 1080 entrelazado	33,72	59,94
	33,75	60,00
	26,97	23,976
1920 x 1080 progresivo	27,00	24,00
	33,71	29,97
	33,75	30,00
	56,25	50,00
	67,432	59,94
	67,500	60,00

Información de conexión de puerto componente

Puertos componente del televisor	Y	P _B	P _R
Puertos de salida de video del reproductor de DVD	Y	P _B	P _R
	Y	B-Y	R-Y
	Y	C _b	C _r
	Y	P _b	P _r

Especificación del módulo Wi-fi (WN8122E)

Norma	IEEE802.11a/b/g/n
Rango de frecuencias	2400 a 2483.5 MHz 5150 a 5250 MHz 5725 a 5850 MHz
Modulación	CCK / OFDM / MIMO
Potencia de salida (típica)	802.11a: 14 dBm 802.11b: 17 dBm 802.11g: 15 dBm 802.11n - 2.4GHz: 13.5 dBm 802.11n - 5GHz: 12 dBm
Velocidad de datos	802.11a/g: 54 Mbps 802.11b: 11 Mbps 802.11n: 300 Mbps
Ganancia de la antena (típica)	2400 a 2483.5 MHz: -0.79 dBi 5150 a 5250 MHz: 0.62 dBi 5725 a 5850 MHz: 0.52 dBi
Ancho de banda ocupado	802.11a/b/g: HT20 802.11n: HT20/40

- Como el canal de banda en uso por el país puede ser diferente, el usuario no puede cambiar ni ajustar la frecuencia operativa, ya que este producto está configurado según la tabla de frecuencias regional.



Especificación del módulo Bluetooth (BM-LDS302)

Norma	Bluetooth Version 3.0
Rango de frecuencias	2400 ~ 2483.5 MHz
Salida	10 dBm o menos
Velocidad de transferencia	3 Mbps
Distancia máxima de comunicación	línea visual abierta, aprox. 10 m (30 pies)



MANTENIMIENTO

Limpieza del TV

Limpie el TV con regularidad para conservar el rendimiento óptimo y prolongar la vida útil del.



PRECAUCIÓN

- En primer lugar, asegúrese de apagar la energía y desconectar el cable de alimentación y todos los demás cables.
- Cuando no utilice el TV durante mucho tiempo, desconecte el cable de alimentación de la toma de corriente para evitar posibles daños por descargas o sobrecargas de energía.

Pantalla, marco, gabinete y base

Para quitar el polvo o la suciedad leve, pase un paño seco, limpio y suave por la superficie.

Para eliminar suciedad de mayor importancia, limpie la superficie con un paño suave humedecido en agua limpia o un detergente suave diluido. Después, pase de inmediato un paño seco.



PRECAUCIÓN

- No ejerza presión, refriegue ni golpee la superficie con las uñas ni un objeto afilado, ya que puede rayar la pantalla y producir distorsiones en la imagen.
- No utilice sustancias químicas (como ceras, bencina, alcohol, diluyentes, insecticidas, desodorantes ambientales ni lubricantes) dado que pueden dañar el acabado de la pantalla y causar decoloración.
- No rocíe líquido sobre la superficie. Si entra agua al TV, puede ocasionar incendios, descargas eléctricas o mal funcionamiento.

Cable de alimentación

Quite con regularidad el polvo o la suciedad acumulados en el cable de alimentación.

SOLUCIÓN DE PROBLEMAS

Problema	Solución
No se puede controlar el televisor con el control remoto.	<ul style="list-style-type: none"> • Compruebe el sensor del control remoto en el producto e inténtelo de nuevo. • Compruebe que no haya ningún obstáculo entre el producto y el control remoto. • Compruebe que las baterías sigan funcionando y estén instaladas como corresponde (⊕ con ⊕, ⊖ con ⊖).
No se muestra ninguna imagen ni se emite sonido.	<ul style="list-style-type: none"> • Compruebe si el producto está encendido. • Compruebe si el cable de alimentación está conectado a la toma de la pared. • Conecte otros productos para comprobar si hay un problema con la toma de la pared.
El televisor se apaga de repente.	<ul style="list-style-type: none"> • Compruebe la configuración del control de energía. Es posible que el suministro eléctrico se interrumpa. • Compruebe si la función de apagado automático no está activada en la configuración de hora. Consulte "Temporizador". • Si no hay señal mientras el televisor está encendido, este se apagará automáticamente después de 15 minutos de inactividad.



Los números de modelo y de serie del televisor se encuentran ubicados en la parte posterior del aparato. Regístrelos en el siguiente espacio por si alguna vez necesita recurrir al servicio técnico.

MODELO _____

SERIE _____