



ENGLISH

ESPAÑOL

FRANÇAIS

INSTALLATION MANUAL

AIR CONDITIONER

Please read this installation manual completely before installing the product.
Installation work must be performed in accordance with the national wiring standards by authorized personnel only.

Please retain this installation manual for future reference after reading it thoroughly.

For Heat Pump / Heat Recovery system

Original instruction

MULTI V[™]



MFL71705501
Rev.06_092024

www.lghvac.com

www.lg.com

Copyright © 2020 - 2024 LG Electronics Inc. All Rights Reserved.

TIPS FOR SAVING ENERGY

Here are some tips that will help you minimize the power consumption when you use the air conditioner. You can use your air conditioner more efficiently by referring to the instructions below:

- Do not cool excessively indoors. This may be harmful for your health and may consume more electricity.
- Block sunlight with blinds or curtains while you are operating the air conditioner.
- Keep doors or windows closed tightly while you are operating the air conditioner.
- Adjust the direction of the air flow vertically or horizontally to circulate indoor air.
- Open windows regularly for ventilation as the indoor air quality may deteriorate if the air conditioner is used for many hours.
- Clean the air filter once every 2 weeks. Dust and impurities collected in the air filter may block the air flow or weaken the cooling / dehumidifying functions.

For your records

Staple your receipt to this page in case you need it to prove the date of purchase or for warranty purposes. Write the model number and the serial number here:

Model number : _____

Serial number : _____

You can find them on a label on the side of each unit.

Dealer's name : _____

Date of purchase : _____

IMPORTANT SAFETY INSTRUCTIONS

READ ALL INSTRUCTIONS BEFORE USING THE APPLIANCE.

Always comply with the following precautions to avoid dangerous situations and ensure peak performance of your product

⚠ WARNING

It can result in serious injury or death when the directions are ignored

⚠ CAUTION

It can result in minor injury or product damage when the directions are ignored

⚠ WARNING

- Installation or repairs made by unqualified persons can result in hazards to you and others. Installation of all field wiring and components MUST conform with local building codes or, in the absence of local codes, with the National Electrical Code 70 and the National Building Construction and Safety Code or Canadian Electrical code and National Building Code of Canada.
- Installation or repairs made by unqualified persons can result in hazards to you and others.
- The information contained in the manual is intended for use by a qualified service technician familiar with safety procedures and equipped with the proper tools and test instruments.
- Failure to carefully read and follow all instructions in this manual can result in equipment malfunction, property damage, personal injury and/or death.

Installation

- Have all electric work done by a licensed electrician according to "Electric Facility Engineering Standard" and "Interior Wire Regulations" and the instructions given in this manual and always use a special circuit.
 - If the power source capacity is inadequate or electric work is performed improperly, electric shock or fire may result.
- Ask the dealer or an authorized technician to install the air conditioner.
 - Improper installation by the user may result in water leakage, electric shock, or fire.
- Always ground the product.
 - There is risk of fire or electric shock.
- Always install a dedicated circuit and breaker.
 - Improper wiring or installation may cause fire or electric shock.
- For re-installation of the installed product, always contact a dealer or an Authorized Service Center.
 - There is risk of fire, electric shock, explosion, or injury.
- Do not install, remove, or re-install the unit by yourself (customer).
 - There is risk of fire, electric shock, explosion, or injury.
- Do not store or use flammable gas or combustibles near the air conditioner.
 - There is risk of fire or failure of product.
- Use the correctly rated breaker or fuse.
 - There is risk of fire or electric shock.
- Do not install the unit at the outdoors.
 - Otherwise it may cause fire, electric shock and trouble.
- Do not install the product on a defective installation stand.
 - It may cause injury, accident, or damage to the product.
- Use a vacuum pump or Inert(nitrogen) gas when doing leakage test or air purge. Do not compress air or Oxygen and do not use Flammable gases. Otherwise, it may cause fire or explosion.
 - There is the risk of death, injury, fire or explosion.
- When installing and moving the air conditioner to another site, do not charge it with a different refrigerant from the refrigerant specified on the unit.
 - If a different refrigerant or air is mixed with the original refrigerant, the refrigerant cycle may malfunction and the unit may be damaged.
- Do not reconstruct to change the settings of the protection devices.
 - If the pressure switch, thermal switch, or other protection device is shorted and operated forcibly, or parts other than those specified by LGE are used, fire or explosion may result.
- Ventilate before operating air conditioner when gas leaked out.
 - It may cause explosion, fire, and burn.
- Securely install the cover of control box and the panel.
 - If the cover and panel are not installed securely, dust or water may enter the outdoor unit and fire or electric shock may result.
- If the air conditioner is installed in a small room, measures must be taken to prevent the refrigerant concentration from exceeding the safety limit when the refrigerant leaks.
 - Consult the dealer regarding the appropriate measures to prevent the safety limit from being exceeded. Should the refrigerant leak and cause the safety limit to be exceeded, hazards due to lack of oxygen in the room could result.

Operation

- Do not damage or use an unspecified power cord.
 - There is risk of fire, electric shock, explosion, or injury.
- Use a dedicated outlet for this appliance.
 - There is risk of fire or electrical shock.
- Be cautious that water could not enter the product.
 - There is risk of fire, electric shock, or product damage.
- Do not touch the power switch with wet hands.
 - There is risk of fire, electric shock, explosion, or injury.
- When the product is soaked (flooded or submerged), contact an Authorized Service Center.
 - There is risk of fire or electric shock.
- Be cautious not to touch the sharp edges when installing.
 - It may cause injury.
- Take care to ensure that nobody could step on or fall onto the outdoor unit.
 - This could result in personal injury and product damage.
- Do not open the inlet grille of the product during operation. (Do not touch the electrostatic filter, if the unit is so equipped.)
 - There is risk of physical injury, electric shock, or product failure.

CAUTION

Installation

- Always check for gas (refrigerant) leakage after installation or repair of product.
 - Low refrigerant levels may cause failure of product.
- Do not install the product where the noise or hot air from the outdoor unit could damage the neighborhoods.
 - It may cause a problem for your neighbors.
- Keep level even when installing the product.
 - To avoid vibration or water leakage.
- Do not install the unit where combustible gas may leak.
 - If the gas leaks and accumulates around the unit, an explosion may result.
- Use power cables of sufficient current carrying capacity and rating.
 - Cables that are too small may leak, generate heat, and cause a fire.
- Do not use the product for special purposes, such as preserving foods, works of art, etc. It is a consumer air conditioner, not a precision refrigeration system.
 - There is risk of damage or loss of property.
- When installing the unit in a hospital, communication station, or similar place, provide sufficient protection against noise.
 - The inverter equipment, private power generator, high-frequency medical equipment, or radio communication equipment may cause the air conditioner to operate erroneously, or fail to operate. On the other hand, the air conditioner may affect such equipment by creating noise that disturbs medical treatment or image broadcasting.
- Do not install the unit in potentially explosive atmospheres.

Operation

- Do not use the air conditioner in special environments.
 - Oil, steam, sulfuric smoke, etc. can significantly reduce the performance of the air conditioner or damage its parts.
- Do not block the inlet or outlet.
 - It may cause failure of appliance or accident.
- Make the connections securely so that the outside force of the cable may not be applied to the terminals.
 - Inadequate connection and fastening may generate heat and cause a fire.
- Be sure the installation area does not deteriorate with age.
 - If the base collapses, the air conditioner could fall with it, causing property damage, product failure, or personal injury.
- Install and insulate the drain hose to ensure that water is drained away properly based on the installation manual.
 - A bad connection may cause water leakage.
- Be very careful about product transportation.
 - Only one person should not carry the product if it weighs more than 20 kg.
 - Some products use PP bands for packaging. Do not use any PP bands for a means of transportation. It is dangerous.
 - Do not touch the heat exchanger fins. Doing so may cut your fingers.
 - When transporting the outdoor unit, suspending it at the specified positions on the unit base. Also support the outdoor unit at four points so that it cannot slip sideways.
- Safely dispose of the packing materials.
 - Packing materials, such as nails and other metal or wooden parts, may cause stabs or other injuries.
 - Tear apart and throw away plastic packaging bags so that children may not play with them. If children play with a plastic bag which was not torn apart, they face the risk of suffocation.
- Turn on the power at least 6 hours before starting operation.
 - Starting operation immediately after turning on the main power switch can result in severe damage to internal parts. Keep the power switch turned on during the operational season.
- Do not touch any of the refrigerant piping during and after operation.
 - It can cause a burn or frostbite.
- Do not operate the air conditioner with the panels or guards removed.
 - Rotating, hot, or high-voltage parts can cause injuries.
- Do not directly turn off the main power switch after stopping operation.
 - Wait at least 5 minutes before turning off the main power switch. Otherwise it may result in water leakage or other problems.
- Auto-addressing should be done in condition of connecting the power of all indoor and outdoor units. Auto-addressing should also be done in case of changing the indoor unit PCB.
- Use a firm stool or ladder when cleaning or maintaining the air conditioner.
 - Be careful and avoid personal injury.

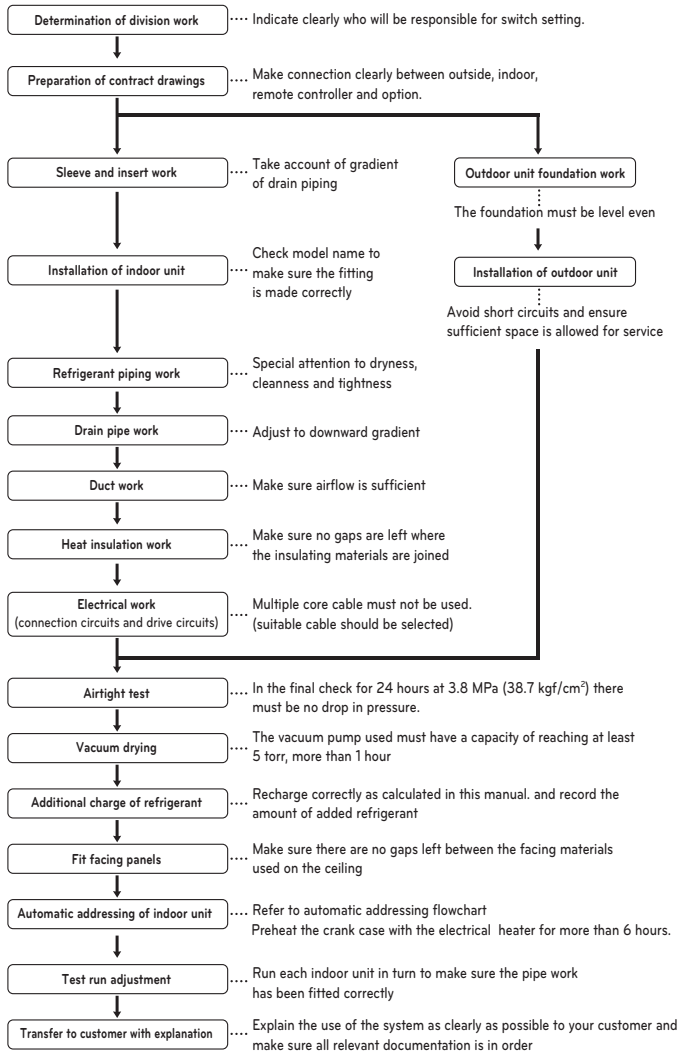
TABLE OF CONTENTS

2	TIPS FOR SAVING ENERGY
2	IMPORTANT SAFETY INSTRUCTIONS
4	INSTALLATION PROCESS
4	OUTDOOR UNITS INFORMATION
4	ALTERNATIVE REFRIGERANT R410A
4	SELECT THE BEST LOCATION
6	INSTALLATION SPACE
6	WATER CONTROL
7	LIFTING METHOD
7	INSTALLATION
10	REFRIGERANT PIPING INSTALLATION
16	INSTALLATION OF WATER PIPE
16	DEVICE PROTECTION UNIT
17	PIPE CONNECTIONS BETWEEN INDOOR AND OUTDOOR UNIT
32	ELECTRICAL WIRING
50	TEST RUN
55	CAUTION FOR REFRIGERANT LEAK
56	COOLING TOWER APPLIED METHOD
56	WATER SOLENOID VALVE CONTROL

Outdoor Unit Information

Model	Voltage / Ph / Hz	Current
ARWM072CAS5	575V 3N~ 60Hz	7.1A
ARWM096CAS5	575V 3N~ 60Hz	7.6A
ARWM121CAS5	575V 3N~ 60Hz	9.3A
ARWM144CAS5	575V 3N~ 60Hz	11.6A
ARWM192CAS5	575V 3N~ 60Hz	14.2A
ARWM072BAS5	208/230V 3N~ 60Hz	11.1A
ARWM096BAS5	208/230V 3N~ 60Hz	15.5A
ARWM121BAS5	208/230V 3N~ 60Hz	22.2A
ARWM144BAS5	208/230V 3N~ 60Hz	26.2A
ARWM072DAS5	460V 3N 60Hz	7.8A
ARWM096DAS5	460V 3N 60Hz	8.8A
ARWM121DAS5	460V 3N 60Hz	11.1A
ARWM144DAS5	460V 3N 60Hz	13.3A
ARWM168DAS5	460V 3N 60Hz	15.5A
ARWM192DAS5	460V 3N 60Hz	20A

INSTALLATION PROCESS



CAUTION

- The above list indicates the order in which the individual work operations are normally carried out but this order may be varied where local conditions warrants such change.
- The thickness of the piping should comply with the relevant local and national regulations for the designed pressure 3.8 MPa (551.1 psi).
- Since R410A is a mixed refrigerant, the required additional refrigerant must be charged in its liquid state. (If the refrigerant is charged in its gaseous state, its composition changes and the system will not work properly.)

OUTDOOR UNITS INFORMATION

CAUTION

Combination Ratio(50~130 %)

Outdoor Number	Connection Capacity
Single outdoor units	130 %
Double outdoor units	
Triple outdoor units	

Notes : * We can guarantee the operation only within 130 % combination.

ALTERNATIVE REFRIGERANT R410A

The refrigerant R410A has the property of higher operating pressure in comparison with R22.

Therefore, all materials have the characteristics of higher resisting pressure than R22 ones and this characteristic should be also considered during the installation.

R410A is an azeotrope of R32 and R125 mixed at 50:50, so the ozone depletion potential (ODP) of R410A is 0.

CAUTION

- The wall thickness of the piping should comply with the relevant local and national regulations for the designed pressure 3.8 MPa (551.1 psi).
- Since R410A is a mixed refrigerant, the required additional refrigerant must be charged in its liquid state. If the refrigerant is charged in its gaseous state, its composition changes and the system will not work properly.
- Do not place the refrigerant container under the direct rays of the sun to prevent it from exploding.
- For high-pressure refrigerant, any unapproved pipe must not be used.
- Do not heat pipes more than necessary to prevent them from softening.
- Be careful not to install wrongly to minimize economic loss because it is expensive in comparison with R22.

SELECT THE BEST LOCATION

Select space for installing outdoor unit, which will meet the following conditions:

- With strength which bears weight of unit
- With space for air passage and service work
Don't install the unit at the space where generation, inflow, stagnation, and leak of combustible gas is expected.
- Avoid unit installation in a place where acidic solution and spray (sulfur) are often used.
- Location with no leakage of combustible gas
- Recommend the outdoor unit to be installed within 0~40 °C (32~104 °F).
- Location with installation or service work space (Refer to required space)
- Do not use the outdoor unit under any special environment where oil, steam and sulfuric gas exist.
- Install in a separate machine room not exposed to external air
- Establish an anti-freeze plan for the water supply when the product is stopped during the winter.
- Install the product so that the noise from the machine room is not transferred outside
- The floor of the machine room must be water proof.
- Drainage must be installed in the machine room to process the water drainage.
- Install a floor slope to make the drainage smooth.
- Avoid installing the outdoor unit in the location with following conditions.
 - Location where corrosive gas such as acidic gas is generated. (It may cause the refrigerant leakage by corrosion of the pipe.)
 - Location where electromagnetic waves happen. (It may cause the abnormal operation by control parts disorder.)
 - Location to be able to leak the combustible gas
 - Location with carbon fiber or combustible dust.
 - Location with the combustible material like thinner or gasoline. (It may cause a fire by leaking the gas near the product.)

CAUTION

- Do not install Multi V water outdoors. Always install indoor like machine room.
- Inverter product may generate electric noise. Keep the body from computer, stereo etc. at enough distance. Specially leave space from indoor remote controller to shoes electric devices at the above 3m in weak electric wave area. Insert the power cable and other wire into separate conduit.

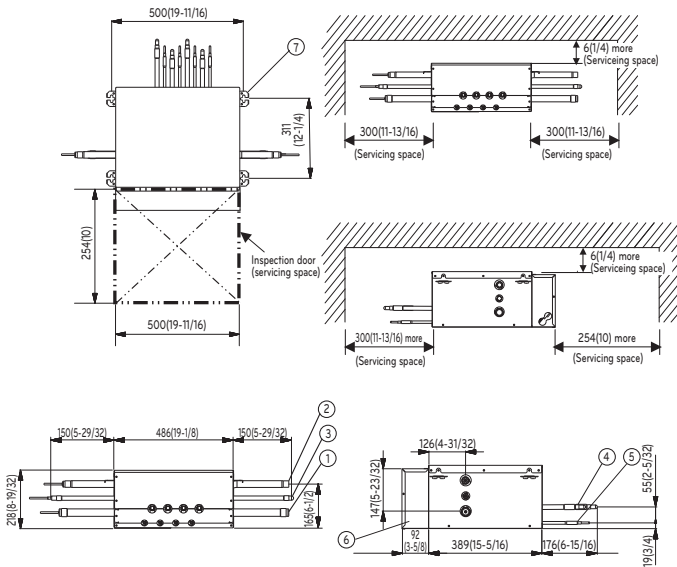
For Heat Recovery Installation

Select installation location of the HR unit suitable for following conditions

- Avoid a place where rain may enter since the HR unit is for indoor.
- Sufficient service space must be obtained.
- Refrigerant pipe must not exceed limited length.
- Avoid a place subject to a strong radiation heat from other heat source.
- Avoid a place where oil spattering, vapor spray or high frequency electric noise is expected.
- Install the unit at a place in which it is not affected by operation noise. (Installation within cell such as meeting room etc. may disturb business due to noise.)
- Place where refrigerant piping, drain piping and electrical wiring works are easy.

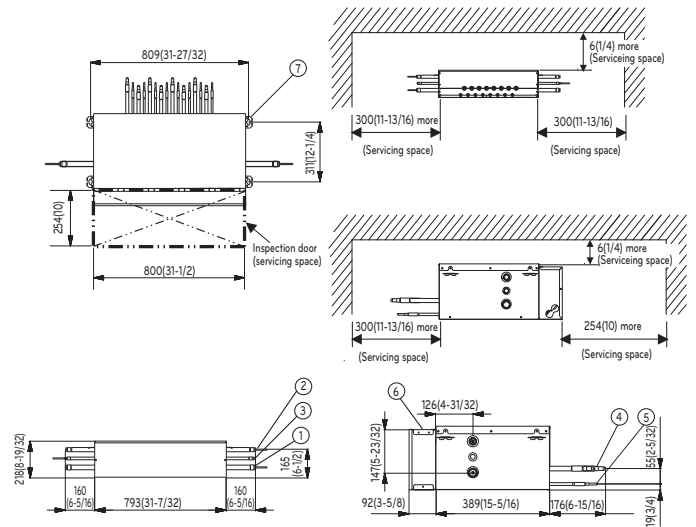
PRHR023(A)/PRHR033(A)/PRHR043(A)

[Unit : mm(inch)]



PRHR063(A)/PRHR083(A)

[Unit : mm(inch)]



[Unit : mm(inch)]

No.	Part Name	Description	
		PRHR033(A)/PRHR043(A) PRHR063(A)/PRHR083(A)	PRHR023(A)
1	Low pressure Gas pipe connection port	Ø 28.58 (1-1/8) Brazing connection	Ø 22.2 (7/8) Brazing connection
2	High pressure Gas pipe connection port	Ø 22.2 (7/8) Brazing connection	Ø 19.05 (3/4) Brazing connection
3	Liquid pipe connection port	Ø 15.88 (5/8) Brazing connection Ø 12.7 (1/2) Brazing connection (PRHR033(A))	Ø 9.52 (3/8) Brazing connection
4	Indoor unit Gas pipe connection port	Ø 15.88 (5/8) – Ø 12.7 (1/2) Brazing connection	Ø 15.88 (5/8) – Ø 12.7 (1/2) Brazing connection
5	Indoor unit Liquid pipe connection port	Ø 9.52 (3/8) – Ø 6.35 (1/4) Brazing connection	Ø 9.52 (3/8) – Ø 6.35 (1/4) Brazing connection
6	Control box	-	-
7	Hanger metal	Suspension bolt M10 or M8	Suspension bolt M10 or M8

NOTE

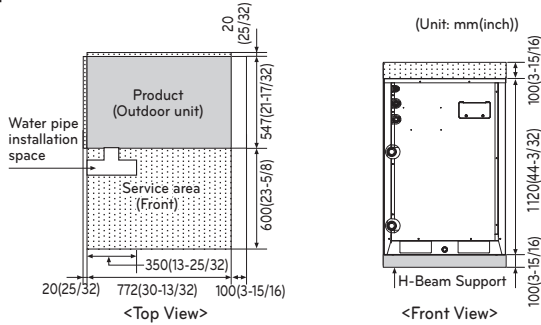
- Be sure to install the inspection door at the control box side.
- If reducers are used, servicing space must be increased equal to reducer's dimension.
- For information of PRHR**1A, PRHR**2A, or detailed instructions on installing the HR Unit, see the installation manual included with the HR Unit.

INSTALLATION SPACE

Individual Installation

During the installation of the unit, consider service, inlet, and outlet acquire the minimum space as shown in the figures below.

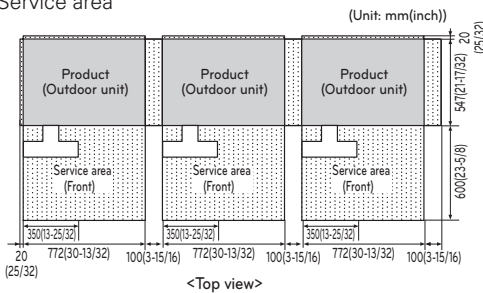
: Service area



Collective / Continuous Installation

Space required for collective installation and continuous installation as shown below considering passage for air and people.

: Service area

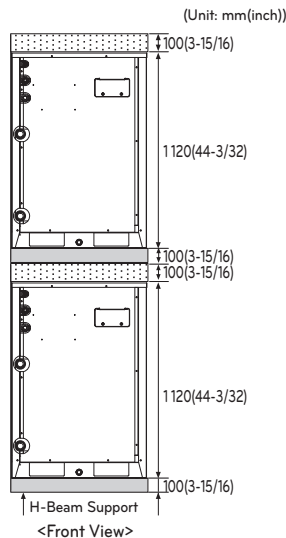


* In case of the water pipe passing side product, please make sufficient service place to avoid occurring between water pipe and product side.

Two Layer Installation

Space required for two layer installation as shown below considering passage for air and people.

: Service area



WATER CONTROL

Water control

- Keep the water temperature between 10~45 °C (50~113 °F). Other it may cause the breakdown.
 - Standard water supply temperature is 30 °C (86 °F) for Cooling and 20 °C (68 °F) for heating.

- Properly control the water velocity. Otherwise it may cause the noise, pipe vibration or pipe contraction, expansion according to the temperature. Use the same water pipe size connected with the product or more.
- Refer to the water source pipe diameter and water velocity table below. As the water velocity is fast, air bubble will increase.

Diameter [mm(inch)]	Velocity range (m/s)
< 50(1-31/32)	0.6 ~ 1.2
50(1-31/32) ~ 100(5-7/8)	1.2 ~ 2.1
100(5-7/8) <	2.1 ~ 2.7

- Be careful of the water purity control. Otherwise it may cause the breakdown due to water pipe corrosion. (Refer to 'Standard Table for Water Purity Control')
- In case the water temperature is above 40 °C (104 °F), it is good to prevent the corrosion by adding the anticorrosive agent.
- Install the pipe, valve and gauge sensor in the space where it is easy to maintain. Install the water valve in the low position for drain, if required.
- Be careful not to let air in. If so, the water velocity will be unstable in the circulation, pump efficiency will also decrease and may cause the piping vibration. Therefore, install the air purge where it may generate the air.
- Choose the following anti freezing methods. Otherwise, it will be dangerous for the pipe to break in the winter.
 - Circulate the water with the pump before dropping the temperature.
 - Keep the normal temperature by boiler.
 - When the cooling tower is not operated for a long time, drain the water in the cooling tower.
 - Use an anti-freeze. (For using an anti freeze, change the DIP switch on main PCB in outdoor unit.)
 - Refer to the additive amount about freezing temperature as in the table given below.

Anti freeze type	Minimum temperature for anti freezing [°C(°F)]					
	0	-5 (23)	-10 (14)	-15 (5)	-20 (-4)	-25 (-13)
Ethylene glycol (%)	0	12	20	30	-	-
Propylene glycol (%)	0	17	25	33	-	-
Methanol (%)	0	6	12	16	24	30

- In addition to anti freeze, it may cause the change of the pressure in the water system and the low performance of the product.
- Make sure to use the closed cooling type tower. When applying the open type cooling tower, use a 2nd heat exchanger to make the water supply system a closed type system.

Water Flow

(Unit : GPM)

Capacity(Ton)		6	8	10	12	14	16
ARWM***CAS5 ARWM***BAS5 ARWM***DAS5 (1 Unit)	Min	13.2	13.2	15.2	17.8	22.9	25.4
	Rated	20.3	25.4	30.4	35.5	45.7	50.7
	Max	30.5	38.1	44.9	44.9	60.8	60.8

(Unit : LPM)

Capacity(HP)		8	10	12	14	16	18	20
ARWM***LAS5 (1 Unit)	Min	57	57	57	67	77	96	96
	Rated	77	96	115	135	154	173	192
	Max	115.5	144	170	170	175	240	240

Standard table for water purity control

The water may contain many foreign substances and hence may influence the performance and lifetime of the product due to the corrosion of the condenser and water pipe. (Use water source that complies with the below standard table for water purity control.)

If you use water supply other than the tap water to supply the water for the cooling tower, you must do a water quality inspection.

- If you use the closed cooling tower, the water quality must be controlled in accordance with the following standard table. If you do not control the water quality in accordance with the following standard water quality table, it can cause performance deterioration to the air conditioner and severe problem to the product

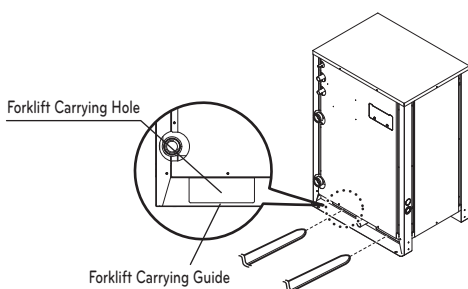
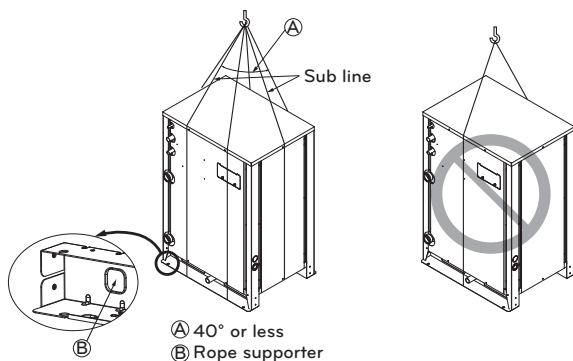
Items	Closed type		Effect	
	Circulating water	Supplemented water	Corrosion	Scale
Basic Item				
pH(25°C)	7.0~8.0	7.0~8.0	○	○
Conductivity[25°C](mS/m)	Below 30	Below 30	○	○
Chlorine ion(mg Cl ⁻ /l)	Below 50	Below 50	○	-
Sulfuric acid ion(mg SO ₄ ²⁻ /l)	Below 50	Below 50	○	○
Acid demand[pH 4.8] (mg SiO ₂ /l)	Below 50	Below 50	-	○
Total hardness(mg SiO ₂ /l)	Below 70	Below 70	-	○
Ca hardness(mg CaCO ₃ /l)	Below 50	Below 50	-	○
Ion silica(mg SiO ₂ /l)	Below 30	Below 30	-	○
Reference Item				
Fe(mg Fe/l)	Below 1.0	Below 0.3	○	○
Copper(mg Cu/l)	Below 1.0	Below 0.1	○	-
Sulfuric acid ion(mg S ²⁻ /l)	Must not be detected	Must not be detected	○	-
Ammonium ion(mg NH ₄ ⁺ /l)	Below 0.3	Below 0.1	○	-
Residual chlorine(mg Cl/l)	Below 0.25	Below 0.3	○	-
Free carbon dioxide(mg CO ₂ /l)	Below 0.4	Below 4.0	○	-
Stability index	-	-	○	○

Reference

- The "O" mark for corrosion and scale means that there is possibility of occurrence.
- When the water temperature is 40 °C (104 °F) or above or when uncoated iron is exposed to the water, it can result in corrosion. Therefore adding anti-corrosion agent or removing the air can be very effective.
- In case of using the closed type cooling tower, the cooling water and supplementing water must satisfy the water quality criteria of closed type system in the table.
- Supplementing water and supplied water must be supplied with tap water, industrial water and underground water excluding filtered water, neutral water, soft water etc.
- 15 items in the table are general causes of corrosion and scale.

LIFTING METHOD

- When carrying the unit suspended, pass the ropes under the unit and use the two suspension points each at the front and rear.
- Always lift the unit with ropes attached at four points so that impact is not applied to the unit.
- Attach the ropes to the unit at an angle of 40° or less



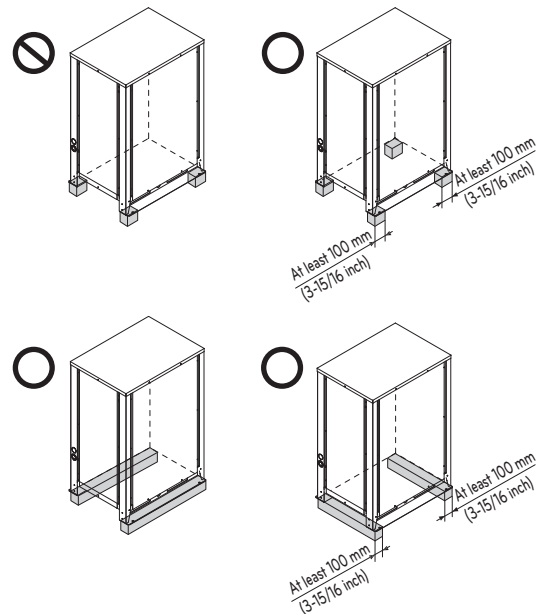
CAUTION

Be very careful while carrying the product.

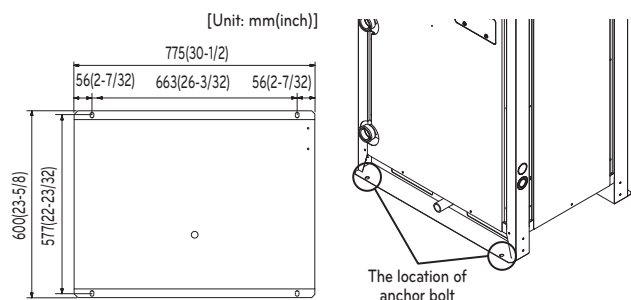
- Do not have only one person carry product if it is more than 20 kg (44 lbs).
- PP bands are used to pack some products. Do not use them as a mean for transportation because they are dangerous.
- Tear plastic packaging bag and scrap it so that children cannot play with it. Otherwise plastic packaging bag may suffocate children to death.
- When carrying in Outdoor Unit, be sure to support it at four points. Carrying in and lifting with 3-point support may make Outdoor Unit unstable, resulting in a fall.
- Use 2 belts of at least 8 m (26.2 ft) long.
- Place extra cloth or boards in the locations where the casing comes in contact with the sling to prevent damage.
- Hoist the unit making sure it is being lifted at its center of gravity.

INSTALLATION

- Install at places where it can endure the weight and vibration/noise of the outdoor unit .
- The outdoor unit supports at the bottom shall have width of at least 100 mm (3-15/16 inch) under the Unit's legs before being fixed.
- The outdoor unit supports should have minimum height of 200 mm (7-7/8 inch).
- Anchor bolts must be inserted at least 75 mm(2-15/16 inch).

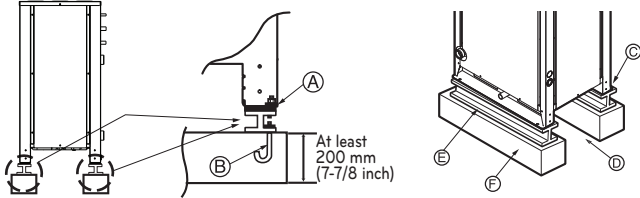


The location of the Anchor bolts

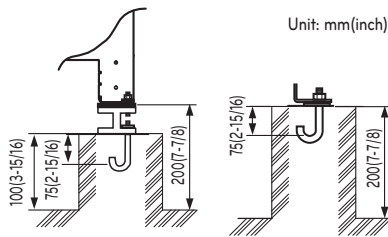


Foundation for Installation

- Fix the unit tightly with bolts as shown below so that unit will not fall down due to earthquake or gust.
- Use the H-beam support as a base support
- Noise and vibration may occur from the floor or wall since vibration is transferred through the installation part depending on installation status. Thus, use anti-vibration materials (cushion pad) fully (The base pad shall be more than 200 mm (7-7/8 inch)).



- Ⓐ The corner part must be fixed firmly. Otherwise, the support for the installation may be bent.
- Ⓑ Get and use M10 Anchor bolt.
- Ⓒ Put Cushion Pad between the outdoor unit and ground support for the vibration protection in wide area.
- Ⓓ Space for pipes and wiring (Pipes and wirings for bottom side)
- Ⓔ H-beam support
- Ⓕ Concrete support

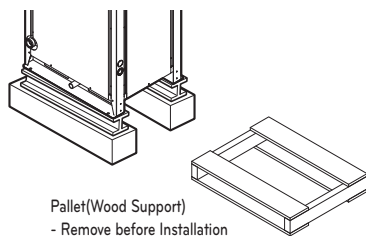


WARNING

- Install where it can sufficiently support the weight of the outdoor unit. If the support strength is not enough, the outdoor unit may drop and hurt people.
- Install where the outdoor unit may not fall in strong wind or earthquake. If there is a fault in the supporting conditions, the outdoor unit may fall and hurt people.
- Please take extra cautions on the supporting strength of the ground, water outlet treatment (treatment of the water flowing out of the outdoor unit in operation), and the passages of the pipe and wiring, when making the ground support.
- Do not use tube or pipe for water outlet in the Base pan. Use drainage instead for water outlet. The tube or pipe may freeze and the water may not be drained.

CAUTION

- Be sure to remove the Pallet (Wood Support) of the bottom side of the outdoor unit Base Pan before fixing the bolt. It may cause the unstable state of the outdoor settlement, and may cause freezing of the heat exchanger resulting in abnormal operations.
- Be sure to remove the Pallet (Wood Support) of the bottom side of the outdoor unit before welding. Not removing Pallet (Wood Support) causes hazard of fire during welding.

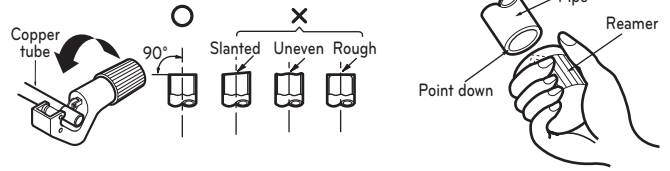


Preparation of Piping

Main cause of gas leakage is defect in flaring work. Carry out correct flaring work in the following procedure.

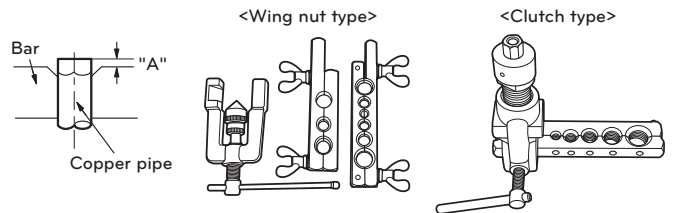
Cut the pipes and the cable

- Use the accessory piping kit or the pipes purchased locally.
- Measure the distance between the indoor and the outdoor unit.
- Cut the pipes a little longer than measured distance.
- Cut the cable 1.5 m (4.92 ft) longer than the pipe length.



Burrs removal

- Completely remove all burrs from the cut cross section of pipe/tube.
- Put the end of the copper tube/pipe to downward direction as you remove burrs in order to avoid to let burrs drop in the tubing.



Flaring work

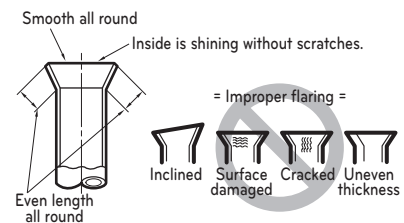
- Carry out flaring work using flaring tool as shown below.

Pipe diameter Inch (mm)	A inch (mm)	
	Wing nut type	Clutch type
Ø 1/4 (Ø 6.35)	0.04~0.05 (1.1~1.3)	0~0.02 (0~0.5)
Ø 3/8 (Ø 9.52)	0.06~0.07 (1.5~1.7)	
Ø 1/2 (Ø 12.7)	0.06~0.07 (1.6~1.8)	
Ø 5/8 (Ø 15.88)	0.06~0.07 (1.6~1.8)	
Ø 3/4 (Ø 19.05)	0.07~0.08 (1.9~2.1)	

Firmly hold copper tube in a bar (or die) as indicated dimension in the table above.

Check

- Compare the flared work with figure below.
- If flare is noted to be defective, cut off the flared section and do flaring work again.



Flare shape and flare nut tightening torque

Precautions when connecting pipes

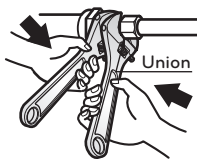
- See the following table for flare part machining dimensions.
- When connecting the flare nuts, apply refrigerant oil to the inside and outside of the flares and turn them three or four times at first. (Use ester oil or ether oil.)
- See the following table for tightening torque. (Applying too much torque may cause the flares to crack.)
- After all the piping has been connected, use nitrogen to perform a gas leak check.

pipe size [mm(inch)]	A [mm(inch)]	Flare shape
Ø 9.52 (3/8)	12.8 (0.5)~13.2 (0.52)	
Ø 12.7 (1/2)	16.2 (0.64)~16.6 (0.65)	
Ø 15.88 (5/8)	19.3 (0.76)~19.7 (0.78)	

Piping Size		Torque		
mm	inch	kgf·cm	N·m	lbf·ft
Ø 6.35	Ø 1/4	180 ~ 250	17.6 ~ 24.5	13 ~ 18
Ø 9.52	Ø 3/8	340 ~ 420	33.3 ~ 41.2	25 ~ 30
Ø 15.88	Ø 5/8	630 ~ 820	61.7 ~ 80.4	45 ~ 59
Ø 12.7	Ø 1/2	550 ~ 660	53.9 ~ 64.7	40 ~ 48
Ø 19.05	Ø 3/4	990 ~ 1210	97.0 ~ 118.7	71 ~ 87

CAUTION

- Always use a charge hose for service port connection.
- After tightening the cap, check that no refrigerant leaks are present.
- When loosening a flare nut, always use two wrenches in combination. When connecting the piping, always use a spanner and torque wrench in combination to tighten the flare nut.
- When connecting a flare nut, coat the flare(inner and outer faces) with oil for R410A(PVE) and hand tighten the nut 3 to 4 turns as the initial tightening.



Opening shutoff valve

- 1 Remove the cap and turn the valve counter clockwise with the wrench.
- 2 Turn it until the shaft stops. Do not apply excessive force to the shutoff valve. Doing so may break the valve body, as the valve is not a backseat type. Always use the special tool.
- 3 Make sure to tighten the cap securely.

Closing shutoff valve

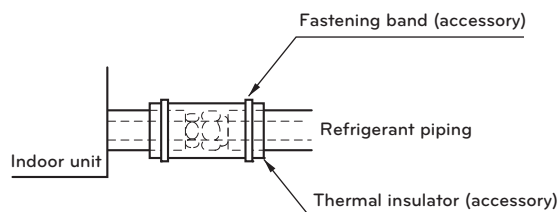
- 1 Remove the cap and turn the valve clockwise with the wrench.
- 2 Securely tighten the valve until the shaft contacts the main body seal.
- 3 Make sure to tighten the cap securely.
* For the tightening torque, refer to the table on the below.

Tightening torque

Shut off valve size [mm(inch)]	Tightening torque N·m(lbs·ft)(Turn clockwise to close)					
	Shaft(valve body)			Cap (Valve lid)	Service port	Gas line piping attached to unit
	Closed	Opened	Hexagonal wrench			
Ø 6.35 (1/4)	6.0 ±0.6 (4.4±0.4)	-	4 mm (0.16 inch)	17.6±2.0 (13.0±1.5)	12.7±2 (9.4±1.5)	-
Ø 9.52 (3/8)				20.0±2.0 (14.8±1.5)		
Ø 12.7 (1/2)	10.0 ±1.0 (7.4±0.7)	5.0 ±0.0 (3.7±0.4)	5 mm (0.24 inch)	25.0±2.5 (18.4±1.8)	-	-
Ø 15.88 (5/8)	12.0 ±1.2 (8.9±0.9)					
Ø 19.05 (3/4)	14.0 ±1.4 (10.3±1.0)					
Ø 22.2 (7/8)	30.0 ±3.0 (22.1±2.2)	-	8 mm (0.31 inch)	25.0±2.5 (18.4±1.8)	-	25±3.0 (18.5±2.2)
Ø 25.4 (1.0)						

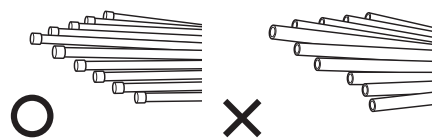
Heat insulation

- 1 Use the heat insulation material for the refrigerant piping which has an excellent heat-resistance (over 248 °F).
- 2 Precautions in high humidity circumstance:
This air conditioner has been tested according to the "ISO Conditions with Mist" and confirmed that there is not any default. However, if it is operated for a long time in high humid atmosphere (dew point temperature: more than 73.4 °F), water drops are liable to fall. In this case, add heat insulation material according to the following procedure:
 - Heat insulation material to be prepared... EPDM (Ethylene Propylene Diene Methylene)-over 248 °F the heat-resistance temperature.
 - Add the insulation over 10 mm (0.39 inch) thickness at high humidity environment.



Plumbing materials and storage methods

Pipe must be able to obtain the specified thickness and should be used with low impurities. Also when handling storage, pipe must be careful to prevent a fracture, deformity and wound. Should not be mixed with contaminations such as dust, moisture.



Refrigerant piping on three principles

	Drying	Cleanliness	Airtight
	Should be no moisture inside	No dust inside.	There is no refrigerant leakage
Items			
Cause failure	<ul style="list-style-type: none"> - Significant hydrolysis of refrigerant oil - Degradation of refrigerant oil - Poor insulation of the compressor - Do not cold and warm - Clogging of EEV, Capillary 	<ul style="list-style-type: none"> - Degradation of refrigerant oil - Poor insulation of the compressor - Do not cold and warm - Clogging of EEV, Capillary 	<ul style="list-style-type: none"> - Gas shortages - Degradation of refrigerant oil - Poor insulation of the compressor - Do not cold and warm
Countermeasure	<ul style="list-style-type: none"> - No moisture in the pipe - Until the connection is completed, the plumbing pipe entrance should be strictly controlled. - Stop plumbing at rainy day. - Pipe entrance should be taken side or bottom. - When removal burr after cutting pipe, pipe entrance should be taken down. - Pipe entrance should be fitted cap when pass through the walls. 	<ul style="list-style-type: none"> - No dust in the pipe. - Until the connection is completed, the plumbing pipe entrance should be strictly controlled. - Pipe entrance should be taken side or bottom. - When removal burr after cutting pipe, pipe entrance should be taken down. - Pipe entrance should be fitted cap when pass through the walls. 	<ul style="list-style-type: none"> - Airtightness test should be. - Brazing operations to comply with standards. - Flare to comply with standards. - Flange connections to comply with standards.

Nitrogen substitution method

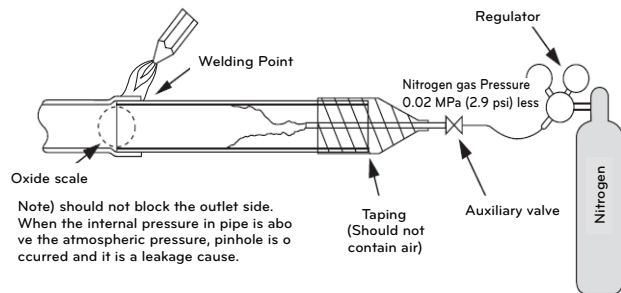
Welding, as when heating without nitrogen substitution a large amount of the oxide film is formed on the internal piping.

The oxide film is caused by clogging EEV, Capillary, oil hole of accumulator and suction hole of oil pump in compressor.

It prevents normal operation of the compressor.

In order to avoid this problem, Welding should be done after replacing air by nitrogen gas.

When welding plumbing pipe, the work is required.



CAUTION

- 1 Always use the nitrogen. (not use oxygen, carbon dioxide, and a Chevron gas): Please use the following nitrogen pressure 0.02 MPa (2.9 psi) Oxygen – Promotes oxidative degradation of refrigerant oil. Because it is flammable, it is strictly prohibited to use Carbon dioxide – Degrade the drying characteristics of gas Chevron Gas – Toxic gas occurs when exposed to direct flame.
- 2 Always use a pressure reducing valve.
- 3 Please do not use commercially available antioxidant. The residual material seems to be the oxide scale is observed. In fact, due to the organic acids generated by oxidation of the alcohol contained in the anti-oxidants, ants nest corrosion occurs. (causes of organic acid → alcohol + copper + water + temperature)

REFRIGERANT PIPING INSTALLATION

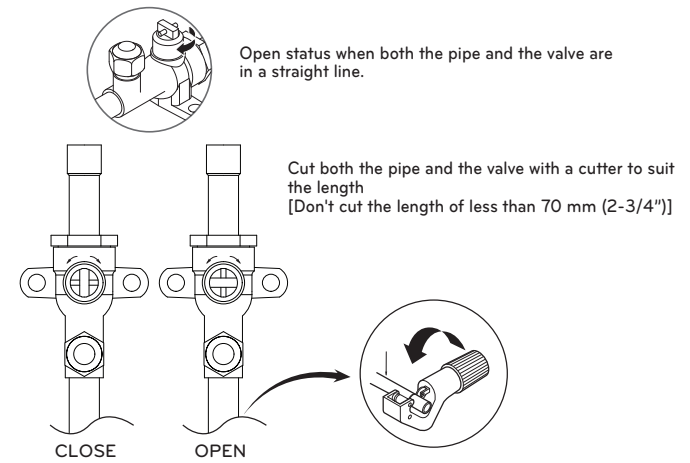
For Heat Recovery System Installation

WARNING

Always use extreme care to prevent the refrigerant gas (R410A) from leakage while using fire or flame. If the refrigerant gas comes in contact with the flame from any source, such as a gas stove, it breaks down and generates a poisonous gas which can cause gas poisoning. Never perform brazing in an unventilated room. Always conduct an inspection for gas leakage after installation of the refrigerant piping has been completed.

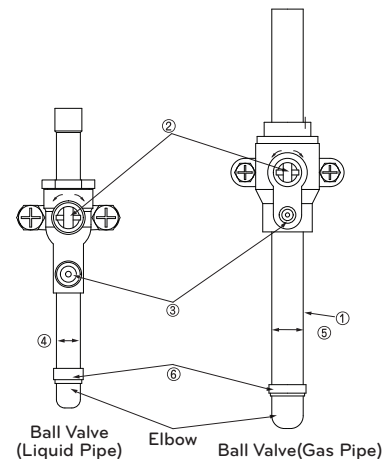
Precautions on Pipe connection / valve operation

Pipe connection is done by connecting from the end of the pipe to the branching pipes, and the refrigerant pipe coming out of the outdoor unit is divided at the end to connect to each indoor unit. Flare connection for the indoor unit, and welding connection for the outdoor pipe and the branching parts. (Including HR Unit)



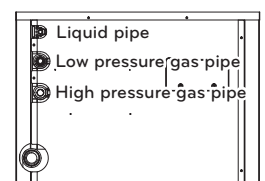
WARNING

After completing work, securely tighten both service ports and caps so that gas does not leak.



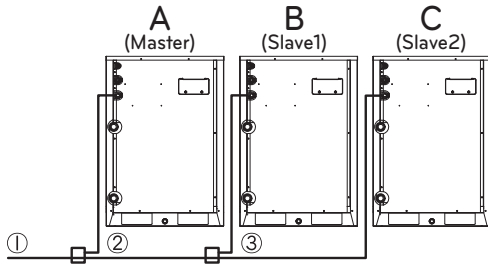
- ① Pipe joint (auxiliary parts): Securely perform brazing with a nitrogen blow into the service port. (Releasing pressure : 0.02 MPa (2.9 psi) or less)
- ② Cap: Remove caps and operate valve, etc. After operation, always reattach caps (tightening torque of valve cap: 25 N·m (250 kg·cm) or more). (Don't remove the internal part of the port)
- ③ Service port: Make the refrigerant pipe vacuum and charge it using the service port. Always reattach caps after completing work (tightening torque of service cap: 14 N·m (140 kg·cm) or more).
- ④ Liquid pipe
- ⑤ Gas pipe
- ⑥ Elbow joint (field supply)

- * Remove the front panel before pipe connection
- * Must check the pipe (liquid pipe, low pressure gas pipe, high pressure gas pipe) before pipe connection



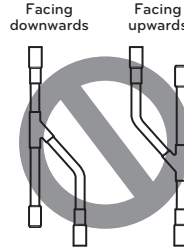
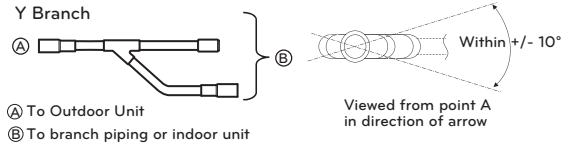
Connection of Outdoor units

When installing ODU series, refer below picture.



A ≥ B ≥ C

- ① IDU side connection pipe
- ② ODU to ODU connection pipe (1st branch)
- ③ ODU to ODU connection pipe (2nd branch)



CAUTION

Y-branches between the outdoor units must be installed horizontally.

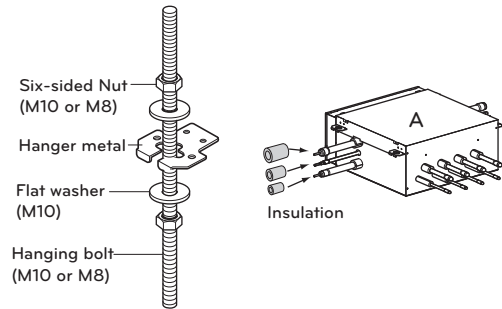
2, 3 Outdoor Units

Unit : mm(inch)

Outdoor Units	Model	Pipe
2 Unit	A ARCNB21	Low Pressure Gas Pipe
		Liquid Pipe
		High Pressure Gas Pipe
3 Unit	B ARCNB31	Low Pressure Gas Pipe
		Liquid Pipe
		High Pressure Gas Pipe

Installation procedure for HR unit

- 1 Using an insert-hole-in- anchor, hang the hanging bolt.
- 2 Install a hexagon nut and a flat washer (locally-procured)to the hanging bolt as shown in the figure in the bottom, and fit the main unit to hang on the hanger metal.
- 3 After checking with a level that the unit is level, tighten the hexagon nut.
* The tilt of the unit should be within ±5° in front/back and left/right.
- 4 This unit should be installed suspended from ceiling and side A should always be facing up.
- 5 Insulate not used pipes completely as shown in the figure.

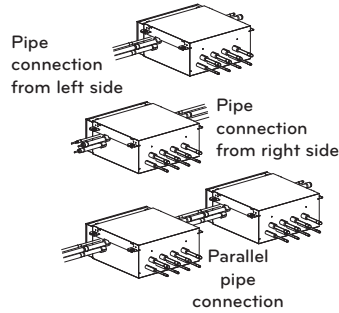
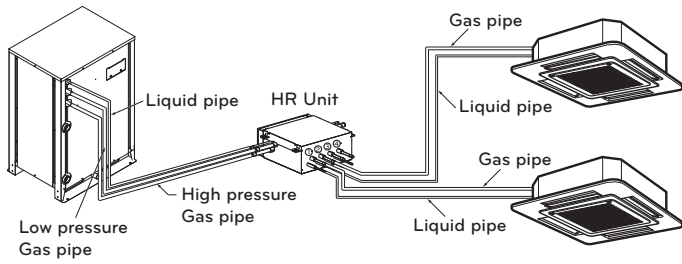


Installation of Outdoor Unit, HR Unit, Indoor Unit Refrigerant Pipe

3 pipes are connected to the HR unit from the outdoor unit, classified into liquid pipe, low pressure gas pipe and high pressure gas pipe depending on status of refrigerant passing through the pipe. You must connect 3 pipes from outdoor unit to HR unit.

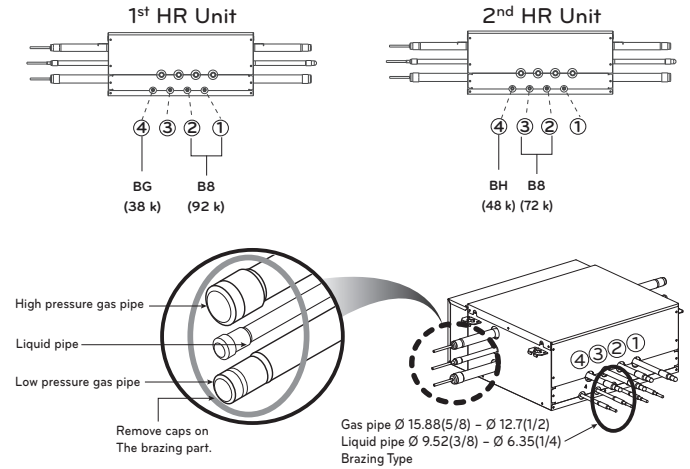
For connection between indoor unit and HR unit, you must connect both liquid pipe and gas pipe from the HR unit to the indoor unit. In this case, connect them to the indoor unit starting from No.1 connection port of the HR unit (the port number is displayed on ports of the HR unit). Use auxiliary flare as annexed parts in connection to the indoor unit.

For more information, refer accessory installation manual.



Joint Method of HR Unit (Big Duct : ARNU763B8-, ARNU963B8-)

Joint Method is required when the big duct chassis is installed. In Joint Method, two neighboring outlets of one HR unit are linked by Y branch pipe and connected to one indoor unit.



CAUTION

Whenever connecting the indoor units with the HR unit, install the indoor units in numerical order from No. 1.

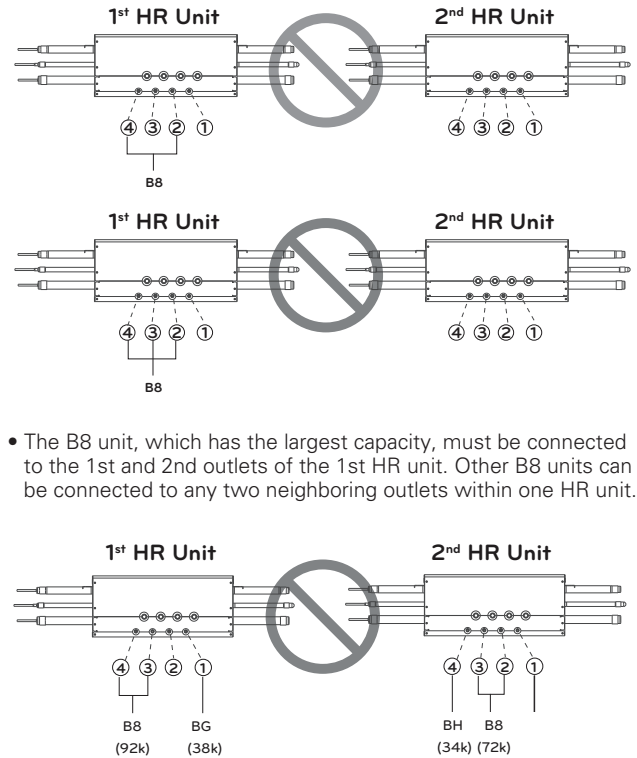
Ex) In case of installing 3 indoor units : No. 1, 2, 3 (O), No. 1, 2, 4 (X), No. 1, 3, 4 (X), No. 2, 3, 4 (X).

WARNING

Before brazing work, remove gas in the HR Unit by cutting the three pipes in the small circles on the figure. If not, it may cause injuries. Remove the caps before connecting pipes.

NOTE

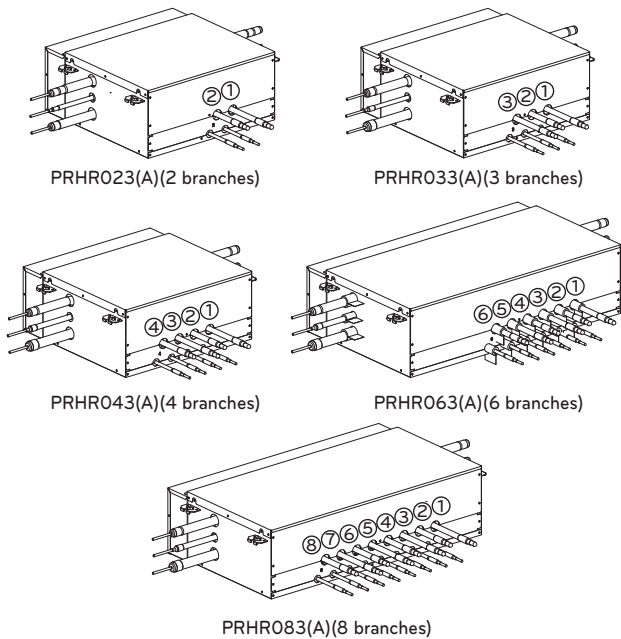
A connection to un-neighboring pipes is forbidden. Do not link more than 2 outlets.



Type of HR Unit

Select an HR unit according to the number of the indoor units to be installed. HR units are classified into 5 types by the number of connectable indoor units.

Ex) Installation of 6 indoor units
Consists of HR unit for 4 branches and HR unit for 2 branches.

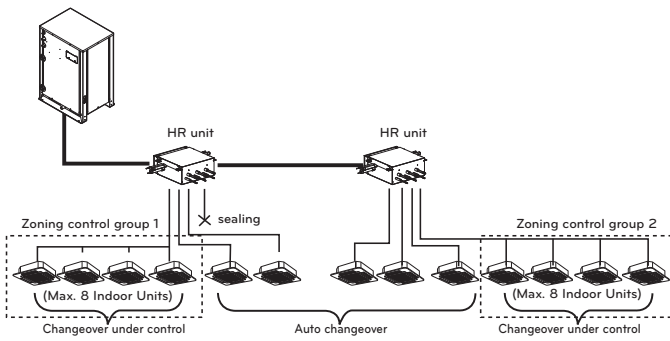


[Unit : mm(inch)]

HR unit	PRHR023(A)	PRHR033(A)	PRHR043(A) PRHR063(A) PRHR083(A)
Liquid pipe	Ø 9.52 (3/8)	Ø 12.7 (1/2)	Ø 15.88 (5/8)
Low pressure gas pipe	Ø 22.2 (7/8)	Ø 28.58 (1-1/8)	Ø 28.58 (1-1/8)
High pressure gas pipe	Ø 19.05 (3/4)	Ø 22.2 (7/8)	Ø 22.2 (7/8)

Installation of Zoning Control

Some indoor unit can be connected to one port of HR unit.



WARNING

- A branch pipe of HR unit allows up to 14.5 kW (48 kBtu/h) based on cooling capacity of the indoor unit. (up to 14.5 kW (48 kBtu/h) for max installation)
- The maximum total capacity of indoor units connected to a PRHR043A HR unit is 58 kW (192 kBtu/h).
- The maximum number of indoor units connected to a PRHR043A HR unit are 32 indoor units. (The Maximum indoor units per a branch pipe of HR unit are 8 indoor units)
- There is not operate "Auto-changeover" & "Mode override" function in the zoning group.
- When there are operating indoor units on cooling(heating) mode, another indoor units aren't changed on heating(cooling) mode in the zoning group.

[Reducers for indoor unit and HR unit]

[Unit : mm(inch)]

Models	Liquid pipe	Gas pipe	
		High pressure	Low pressure
Indoor unit reducer	 OD 9.52(3/8) Ø 6.35(1/4)	-	 OD 15.88(5/8) Ø 12.7(1/2)
HR unit reducer	 OD 9.52(3/8) Ø 6.35(1/4)	 OD 19.05(3/4) Ø 15.88(5/8) Ø 12.7(1/2)	 OD 22.27(7/8) Ø 19.05(3/4) Ø 15.88(5/8)
		 OD 12.7(1/2) Ø 9.52(3/8)	 OD 15.88(5/8) Ø 12.7(1/2)
HR unit reducer	 OD 15.88(5/8) Ø 12.7(1/2) Ø 9.52(3/8)	 OD 22.27(7/8) Ø 19.05(3/4) Ø 15.88(5/8)	 OD 28.58(1-1/8) Ø 22.27(7/8) Ø 19.05(3/4)
		 OD 12.7(1/2) Ø 9.52(3/8)	 OD 19.05(3/4) Ø 15.88(5/8)
		 OD 15.88(5/8) Ø 12.7(1/2)	 OD 19.05(3/4) Ø 15.88(5/8)
		 OD 12.7(1/2) Ø 9.52(3/8)	 OD 19.05(3/4) Ø 15.88(5/8)

CAUTION

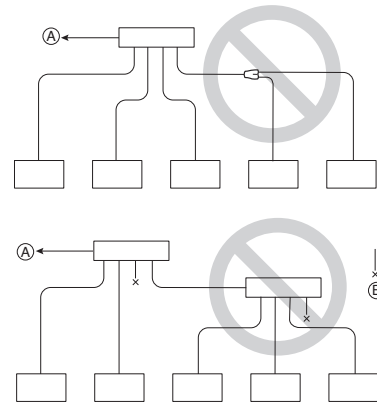
- Use the following materials for refrigerant piping.
 - Material: Seamless phosphorous deoxidized copper pipe
 - Wall thickness : Comply with the relevant local and national regulations for the designed pressure 3.8 MPa (551.14 psi). We recommend the following table as the minimum wall thickness.

Outer diameter [mm(inch)]	6.35 (1/4)	9.52 (3/8)	12.7 (1/2)	15.88 (5/8)	19.05 (3/4)	22.2 (7/8)	25.4 (1)	28.58 (1-1/8)	31.8 (1-1/4)	34.9 (1-3/8)	38.1 (1-1/2)	41.3 (1-5/8)	44.45 (1-3/4)	53.98 (2-1/8)
Minimum thickness [mm(inch)]	0.8 (1/32)	0.8 (1/32)	0.8 (5/128)	0.99 (5/128)	0.99 (5/128)	0.99 (5/128)	0.99 (5/128)	0.99 (5/128)	1.1 (3/64)	1.21 (3/64)	1.35 (7/128)	1.43 (7/128)	1.55 (1/16)	2.1 (11/128)

- Commercially available piping often contains dust and other materials. Always blow it clean with a dry inert gas.
- Use care to prevent dust, water or other contaminants from entering the piping during installation.
- Reduce the number of bending portions as much as possible, and make bending radius as big as possible.
- Always use the branch piping set shown below, which are sold separately.

Y branch	Header		
	4 branch	7 branch	10 branch
ARBLB01621, ARBLB03321, ARBLB07121, ARBLB14521, ARBLB23220	ARBL054	ARBL057	ARBL1010
	ARBL104	ARBL107	ARBL2010

- If the diameters of the branch piping of the designated refrigerant piping differs, use a pipe cutter to cut the connecting section and then use an adapter for connecting different diameters to connect the piping.
- Always observe the restrictions on the refrigerant piping (such as rated length, difference in height, and piping diameter). Failure to do so can result in equipment failure or a decline in heating/cooling performance.
- A second branch cannot be made after a header. (These are shown by ⊗.)



- Ⓐ To Outdoor Unit
- Ⓑ Sealed Piping

- The Multi V water will stop due to an abnormality like excessive or insufficient refrigerant. At such a time, always properly charge the unit. When servicing, always check the notes concerning both the piping length and the amount of additional refrigerant.
- Never perform a pump down. This will not only damage the compressor but also deteriorate the performance.
- Never use refrigerant to perform an air purge. Always evacuate using a vacuum pump.
- Always insulate the piping properly. Insufficient insulation will result in a decline in heating/cooling performance, drip of condensate and other such problems.
- When connecting the refrigerant piping, make sure the service valves of the Outdoor Unit is completely closed (the factory setting) and do not operate it until the refrigerant piping for the Outside and Indoor Units has been connected, a refrigerant leakage test has been performed and the evacuation process has been completed.
- Always use a non-oxidizing brazing material for brazing the parts and do not use flux. If not, oxidized film can cause clogging or damage to the compressor unit and flux can harm the copper piping or refrigerant oil.

! WARNING

When installing and moving the air conditioner to another site, be sure to make recharge refrigerant after perfect evacuation.

- If a different refrigerant or air is mixed with the original refrigerant, the refrigerant cycle may malfunction and the unit may be damaged.
- After selecting diameter of the refrigerant pipe to suit total capacity of the indoor unit connected after branching, use an appropriate branch pipe set according to the pipe diameter of the indoor unit and the installation pipe drawing.

For Heat Pump System Installation

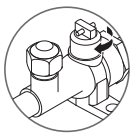
Precautions on Pipe connection / valve operation

Pipe connection is done by connecting from the end of the pipe to the branching pipes, and the refrigerant pipe coming out of the outdoor unit is divided at the end to connect to each indoor unit. Flare connection for the indoor unit, and welding connection for the outdoor pipe and the branching parts.

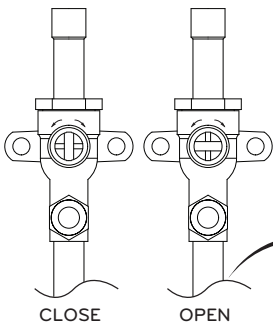
! WARNING

Always use extreme care to prevent the refrigerant gas (R410A) from leakage while using fire or flame. If the refrigerant gas comes in contact with the flame from any source, such as a gas stove, it breaks down and generates a poisonous gas which can cause gas poisoning. Never perform brazing in an unventilated room. Always conduct an inspection for gas leakage after installation of the refrigerant piping has been completed.

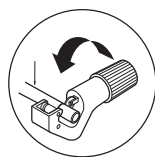
Cautions in pipe connection/valve operation



Open status when both the pipe and the valve are in a straight line.

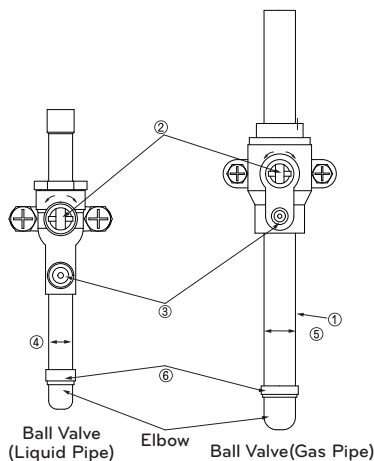


Cut both the pipe and the valve with a cutter to suit the length [Don't cut the length of less than 70 mm (2-3/4")]

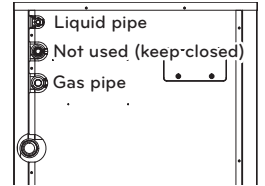


! WARNING

After completing work, securely tighten both service ports and caps so that gas does not leak.



- ① Pipe joint (auxiliary parts): Securely perform brazing with a nitrogen blow into the service port. (Releasing pressure : 0.02 MPa(2.9 psi) or less)
- ② Cap: Remove caps and operate valve, etc. After operation, always reattach caps (tightening torque of valve cap: 25 N·m (250 kg·cm) or more). (Don't remove the internal part of the port)
- ③ Service port: Make the refrigerant pipe vacuum and charge it using the service port. Always reattach caps after completing work (tightening torque of service cap: 14 N·m (140 kg·cm) or more).
- ④ Liquid pipe
- ⑤ Gas pipe
- ⑥ Elbow joint (field supply)



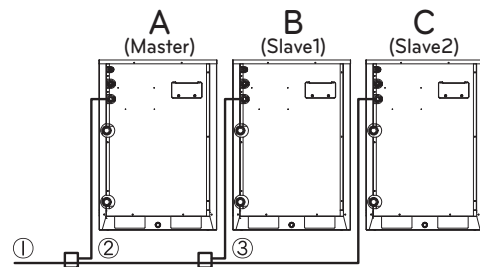
* Remove the front panel before pipe connection

* Must check the pipe (liquid pipe, gas pipe) before pipe connection

* In case of the heat pump system installation, be sure to maintain to close no use pipe like picture.

Connection of Outdoor units

When installing ODU series, refer below picture.



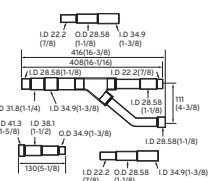
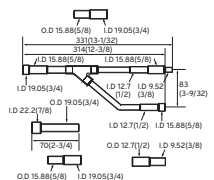
$A \geq B \geq C$

- ① IDU side connection pipe
- ② ODU to ODU connection pipe (1st branch)
- ③ ODU to ODU connection pipe (2nd branch)

2, 3 Outdoor Units

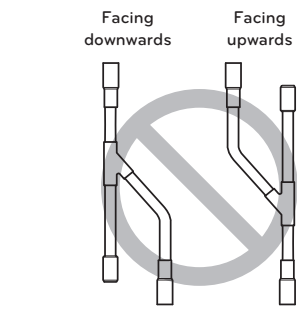
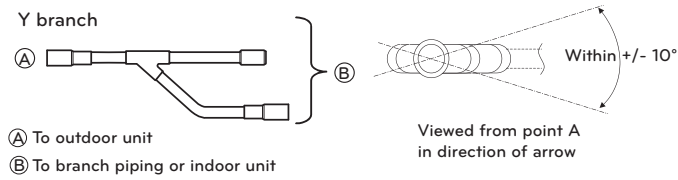
[Unit : mm(inch)]

Outdoor Units	Model	Pipe
2 Unit	ARCNN21	Liquid Pipe
		Gas Pipe



Outdoor Units	Model	Pipe
3 Unit	ARCNN31	Liquid Pipe
		Gas Pipe

For more information, refer accessory installation manual.



CAUTION
Y-branches between the outdoor units must be installed horizontally.

CAUTION

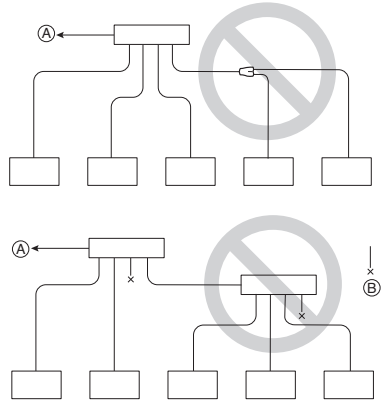
- Use the following materials for refrigerant piping.
 - Material: Seamless phosphorous deoxidized copper pipe
 - Wall thickness : Comply with the relevant local and national regulations for the designed pressure 3.8 MPa (551.14 psi). We recommend the following table as the minimum wall thickness.

Outer diameter [mm(inch)]	6.35 (1/4)	9.52 (3/8)	12.7 (1/2)	15.88 (5/8)	19.05 (3/4)	22.2 (7/8)	25.4 (1)	28.58 (1-1/8)	31.8 (1-1/4)	34.9 (1-3/8)	38.1 (1-1/2)	41.3 (1-5/8)	44.45 (1-3/4)	53.98 (2-1/8)
Minimum thickness [mm(inch)]	0.8 (1/32)	0.8 (1/32)	0.8 (5/128)	0.99 (5/128)	0.99 (5/128)	0.99 (5/128)	0.99 (5/128)	0.99 (5/128)	1.1 (3/64)	1.21 (3/64)	1.35 (7/128)	1.43 (7/128)	1.55 (1/16)	2.1 (11/128)

- Commercially available piping often contains dust and other materials. Always blow it clean with a dry inert gas.
- Use care to prevent dust, water or other contaminants from entering the piping during installation.
- Reduce the number of bending portions as much as possible, and make bending radius as big as possible.
- Always use the branch piping set shown below, which are sold separately.

Y branch	Header		
	4 branch	7 branch	10 branch
ARBLB01621, ARBLB03321, ARBLB07121, ARBLB14521, ARBLB23220	ARBL054	ARBL057	ARBL1010
	ARBL104	ARBL107	ARBL2010

- If the diameters of the branch piping of the designated refrigerant piping differs, use a pipe cutter to cut the connecting section and then use an adapter for connecting different diameters to connect the piping.
- Always observe the restrictions on the refrigerant piping (such as rated length, difference in height, and piping diameter). Failure to do so can result in equipment failure or a decline in heating/cooling performance.
- A second branch cannot be made after a header. (These are shown by ⊗.)



- Ⓐ To Outdoor Unit
- Ⓑ Sealed Piping

- The Multi V water will stop due to an abnormality like excessive or insufficient refrigerant. At such a time, always properly charge the unit. When servicing, always check the notes concerning both the piping length and the amount of additional refrigerant.
- Never perform a pump down. This will not only damage the compressor but also deteriorate the performance.
- Never use refrigerant to perform an air purge. Always evacuate using a vacuum pump.
- Always insulate the piping properly. Insufficient insulation will result in a decline in heating/cooling performance, drip of condensate and other such problems.
- When connecting the refrigerant piping, make sure the service valves of the Outdoor Unit is completely closed (the factory setting) and do not operate it until the refrigerant piping for the Outside and Indoor Units has been connected, a refrigerant leakage test has been performed and the evacuation process has been completed.
- Always use a non-oxidizing brazing material for brazing the parts and do not use flux. If not, oxidized film can cause clogging or damage to the compressor unit and flux can harm the copper piping or refrigerant oil.

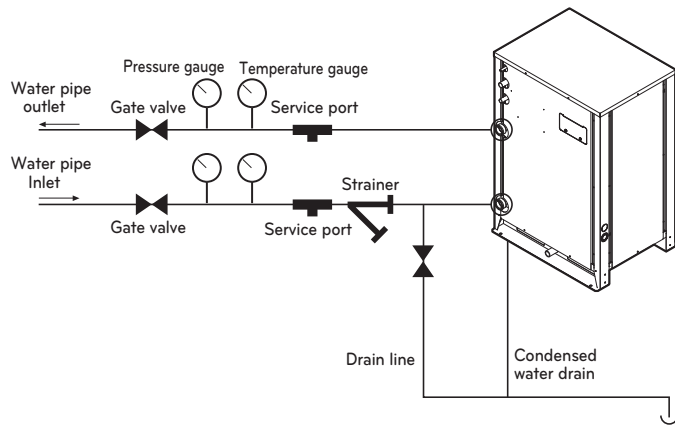
WARNING
When installing and moving the air conditioner to another site, be sure to make recharge refrigerant after perfect evacuation.

- If a different refrigerant or air is mixed with the original refrigerant, the refrigerant cycle may malfunction and the unit may be damaged.
- After selecting diameter of the refrigerant pipe to suit total capacity of the indoor unit connected after branching, use an appropriate branch pipe set according to the pipe diameter of the indoor unit and the installation pipe drawing.

INSTALLATION OF WATER PIPE

Water pipe system diagram

- The water pressure resistance of the water pipe system of this product is 1.98 MPa (287.18 psi).
- When the water pipe passes indoors, make sure to execute heat insulation on the pipe so that water drops do not form on the outer side of the water pipe.
- The size of the drain pipe must be equal to or larger than the diameter of the connecting product.
 - Always install a trap so that the drained water does not back flush.
- Always install a strainer (50 Mesh or above) at the entrance of the water pipe. (When sand, trash, rusted pieces get mixed into the water supply, it can cause problems to the product due to blocking)
 - If On/Off valve is applied, by interlocking with outdoor unit, it can save the energy consumption of pump by blocking the water supply to the outdoor unit not operating. Select appropriate valve and install on site if necessary.
- Install a pressure gauge and temperature gauge at the inlet and outlet of the water pipe.
- Flexible joints must be installed not to cause any leakage from the vibration of pipes.
- Install a service port to clean the heat exchanger at the each end of the water inlet and outlet.
- For the components of the water pipe system, always use components above the designed water pressure.



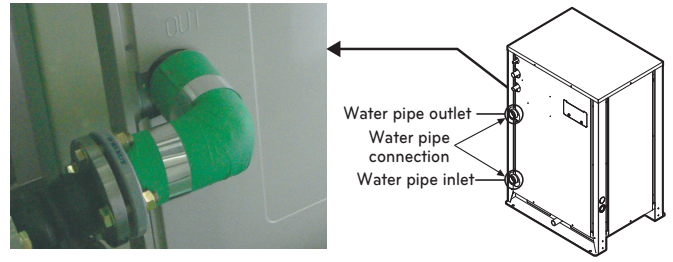
CAUTION

Do not directly connect the drain outlet to the water pipe outlet. (It can cause problems to the product.)

Water pipe connection

- The water pipe should be the same size of the connection on the product or more.
- If necessary install the insulation material in the water pipe inlet/outlet to prevent water drop, freeze and to save energy. (Use the above 20 mm (25/32 inch) thickness PE insulation material.)
- Tightly connect the socket to the water pipe refer to below table for recommended specification. (Too much torque may cause the damage of the facility.)

Pipe thickness		Shear stress		Tensile stress		Bending moment		Torque	
mm	inch	(kN)	(kgf)	(kN)	(kgf)	(N-m)	(kgf-m)	(N-m)	(kgf-m)
12.7	1/2	3.5	350	2.5	250	20	23	5	3.5
19.05	3/4	12	1200	2.5	250	20	2	115	11.5
25.4	1	11.2	1120	4	400	45	4.5	155	15.5
31.8	1 1/4	14.5	1450	6.5	650	87.5	8.75	265	26.5
38.1	1 1/2	16.5	1.7	9.5	0.95	155	16	350	35.5
50.8	2	21.5	2.2	13.5	1.4	255	26	600	61

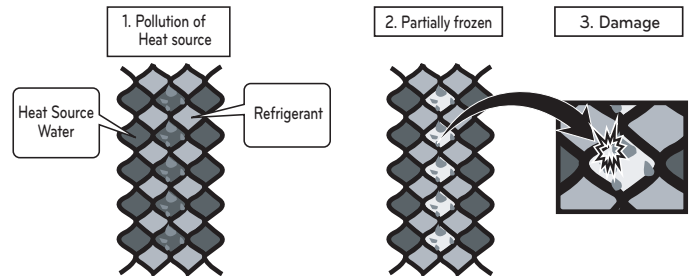


DEVICE PROTECTION UNIT

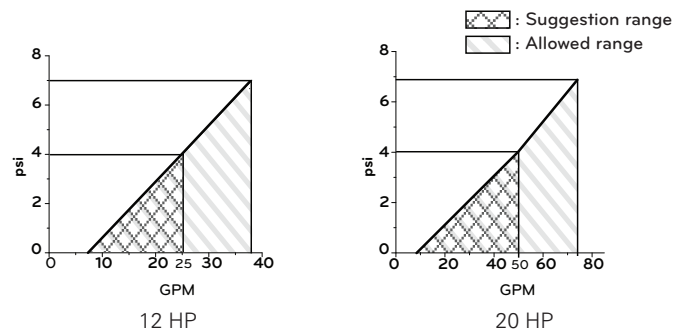
Strainer on water pipe

To protect the water cooling type product, you must install a strainer with 50 mesh or more on the heat water supply pipe. (It is recommended to install both a magnetic filter and a strainer.) If not installed, it can result in damage of heat exchanger by the following situation.

- 1 Heat water supply within the plate type heat exchanger is composed of multiple small paths.
- 2 If you do not use a strainer with 50 mesh or more, alien particles can partially block the water paths.
- 3 When running the heater, the plate type heat exchanger plays the role of the evaporator, and at this time, the temperature of the coolant side drops to drop the temperature of the heat water supply, which can result in icing point in the water paths.
- 4 And as the heating process progresses, the water paths can be partially frozen to lead to damage in plate type heat exchanger.
- 5 As a result of the damage of the heat exchanger from the freezing, the coolant side and the heat water source side will be mixed to make the product unusable.



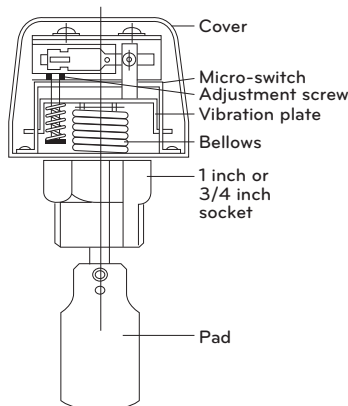
Head loss of strainer on water pipe



Upper graph is a theoretical value for selection and it may be different according to specification of strainer.

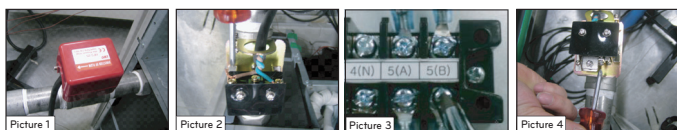
Flow switch work

- You must install the flow switch to the water collection pipe system connecting to the outdoor unit.
(Flow switch acts as the 1st protection device when the heat water is not supplied. If a certain level of water does not flow after installing the flow switch, an error sign of CH 189 error will be displayed on the product and the product will stop operating.)
- When setting the flow switch, it is recommended to use the product with default set value to satisfy the minimum flow rate of this product. (The minimum flow rate : 6 TON-17.8 GPM, 8 TON-17.8 GPM, 10 TON-17.8 GPM, 12 TON-17.8 GPM, 14 TON-22.9 GPM, 16 TON-25.4 GPM)
- Select the flow switch with the permitted pressure specification considering the pressure specification of the heat water supply system.



Installation of flow switch

- The flow switch must be installed at the horizontal pipe of the heat water supply outlet of the product and check the direction of the heat water flow before the installation. (Picture 1)
- When connecting the flow switch to the product, remove the jump wire to connect to the communication terminal (5(A) and 5(B)) of the outdoor unit control box. (Picture 2, 3) (Open the cover of the flow switch and check the wiring diagram before connecting the wires. The wiring method can differ by the manufacturer of the flow switch.)
- If necessary, adjust the flow rate detection screw after consulting with an expert and adjust to the minimum flow rate range. (Picture 4) (Adjust the flow switch to touch the contact point when the flow rate reaches minimum flow rate.)
- Minimum flow rate : 6 TON-17.8 GPM, 8 TON-17.8 GPM, 10 TON-17.8 GPM, 12 TON-17.8 GPM, 14 TON-22.9 GPM, 16 TON-25.4 GPM

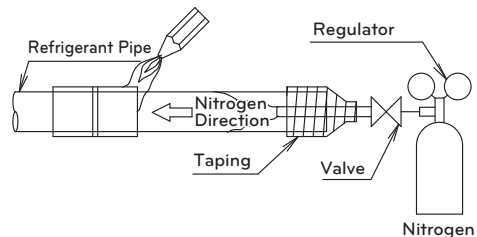


CAUTION

- If the set value does not satisfy the minimum flow rate or if the set value is changed by the user arbitrarily, it can result in product performance deterioration or serious product problem.
- If the product is operated with the heat water supply not flowing smoothly, it can damage the heat exchanger or cause serious product problems.
- In case of CH24 or CH180 error, there is a possibility that the plate type heat exchanger is partially frozen inside. In this case resolve the issue of partial freezing and then operate the product again. (Cause of partial freezing : Insufficient heat water flux, water not supplied, insufficient coolant, alien particle penetrated inside plate type heat exchanger)
- When the product operates while the flow switch touches the contact point at the flow rate range out of the permitted range, it can cause product performance deterioration or serious product problem.
- Must use the normal closed type flow switch
- Circuit of outdoor unit is normal closed type.

PIPE CONNECTIONS BETWEEN INDOOR AND OUTDOOR UNIT

- Pipe connections can be done on the front side or on the side according to the installation environments.
- Be sure to let 0.2 kgf/cm² (2.8 psi) Nitrogen flow in the pipe when welding.
- If Nitrogen was not flown during welding, many oxidized membranes may form inside the pipe and disturb the normal operations of valves and condensers.



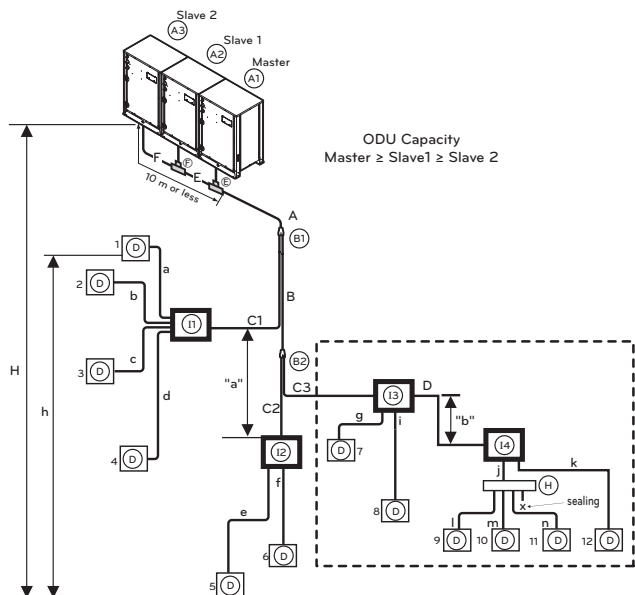
For Heat Recovery System Installation

Refrigerant piping system

3 Outdoor Units

Example : 12 Indoor Units connected

- Ⓐ : Outdoor Unit
- Ⓑ : Y branch
- Ⓓ : Indoor Unit
- Ⓔ : Connection branch pipe between Outdoor units : ARCNB31
- Ⓕ : Connection branch pipe between Outdoor units : ARCNB21
- Ⓗ : Header
- Ⓙ : HR Unit



- Case 1 ("a") : Maximum height is 15 m(49.2 ft) if you install with Y branch.
- Case 2 ("b") : Maximum height is 5 m(16 ft) in serial connection of HR units.

WARNING

- Piping length from outdoor unit branch to outdoor unit \leq 10 m (32.8 ft), equivalent length : max 13 m (42.7 ft) (for 12 Ton (144 kBtu) or more)
- * If the large capacity indoor units (Over 48 kBtu; using over \varnothing 15.88 (5/8) / \varnothing 9.52 (3/8)) are installed, it should be used the Valve Group setting.

Refrigerant pipe diameter from branch to branch (B,C,D)

! WARNING

- * : Serial connection of HR units : Capacity sum of indoor units \leq 192.4 kBTu/hr
- Refer to the HR unit PCB part for the valve group control setting.
- It is recommended that difference in pipe lengths between an HR unit and indoor units, for example difference in length of a, b, c, and d, be minimized. The larger difference in pipe lengths, the more different performance between indoor units.
- Piping length from outdoor branch to outdoor unit \leq 10 m (33 ft), equivalent length : max 13 m (43 ft)
- * If the large capacity indoor units (Over 5 HP; using over \varnothing 15.88 (5/8) / \varnothing 9.52 (3/8)) are installed, it should be used the Valve Group setting

Refrigerant pipe diameter from branch to branch (B,C)

Downward indoor unit total capacity [kW(Btu/h)]	Liquid pipe [mm(inch)]	Gas pipe [mm(inch)]	
		Low pressure	High pressure
\leq 5.6 (19 100)	\varnothing 6.35 (1/4)	\varnothing 12.7 (1/2)	\varnothing 9.52 (3/8)
$<$ 16.0 (54 600)	\varnothing 9.52 (3/8)	\varnothing 15.88 (5/8)	\varnothing 12.7 (1/2)
\leq 22.4 (76 400)	\varnothing 9.52 (3/8)	\varnothing 19.05 (3/4)	\varnothing 15.88 (5/8)
$<$ 33.6 (114 700)	\varnothing 9.52 (3/8)	\varnothing 22.2 (7/8)	\varnothing 19.05 (3/4)
$<$ 50.4 (172 000)	\varnothing 12.7 (1/2)	\varnothing 28.58 (1 1/8)	\varnothing 22.2 (7/8)
$<$ 67.2 (229,400)	\varnothing 15.88 (5/8)	\varnothing 28.58 (1 1/8)	\varnothing 22.2 (7/8)
$<$ 72.8 (248 500)	\varnothing 15.88 (5/8)	\varnothing 34.9 (1 3/8)	\varnothing 28.58 (1 1/8)
$<$ 100.8 (344 000)	\varnothing 19.05 (3/4)	\varnothing 34.9 (1 3/8)	\varnothing 28.58 (1 1/8)
$<$ 173.6 (592 500)	\varnothing 19.05 (3/4)	\varnothing 41.3 (1 5/8)	\varnothing 34.9 (1 3/8)

Total pipe length = A + B + C1 + C2 + C3 + a + b + c + d + e + f + g + i + j + k + l + m + n \leq 500 m (1 640 ft)

	Longest pipe length	*Equivalent pipe length
L	A+B+C3+D+k \leq 150 m (200 m**) [(492 ft (656 ft**))]	A+B+C3+D+k \leq 175 m (225 m**) [(574 ft (738 ft**))]
l	Longest pipe length after 1st branch B+C3+D+k \leq 40 m(90 m**) [131 ft (295 ft)]	
H	Difference in height (Outdoor Unit \leftrightarrow Indoor Unit) H \leq 50 m (164 ft)	
h	Difference in height (Indoor Unit \leftrightarrow Indoor Unit) h \leq 40 m (131 ft)	
h1	Difference in height (Outdoor Unit \leftrightarrow Outdoor Unit) h1 \leq 2 m (6.6 ft)	
"a", "b"	Difference in height (HR unit \leftrightarrow HR unit) a \leq 15 m (49 ft), b \leq 5 m (16 ft)	

- * : Assume equivalent pipe length of Y branch to be 0.5 m (1.64 ft), that of header to be 1 m (3.3 ft), calculation purpose
- it is recommended that indoor unit is installed at lower position than the header.
- ** : Conditional application

(**) Conditional Application (In case of D12 is the farthest in door)

Below condition must be satisfied for 40~90 m (131~295 ft) piping length after first branch.

- 1 Diameter of pipes between first branch and the last branch should be increased by one step, except if the pipe diameter B, C3 is same as diameter A (main pipe diameter)
 \varnothing 6.35 (1/4) \rightarrow \varnothing 9.52 (3/8) \rightarrow \varnothing 12.7 (1/2) \rightarrow \varnothing 15.88 (5/8) \rightarrow \varnothing 19.05 (3/4) \rightarrow \varnothing 22.2 (7/8) \rightarrow \varnothing 25.4*(1), \varnothing 28.58 (1-1/8) \rightarrow \varnothing 31.8*(1-1/4), \varnothing 34.9 (1-3/8) \rightarrow \varnothing 38.1*(1-1/2)
 * : If available on site, it use this size. Otherwise it can't be increased.
- 2 While calculating total refrigerant piping length, pipe B, C3 length should be calculated twice.
 $A+B \times 2 + C3 \times 2 + C1 + C2 + a + b + c + d + e + f + g + i + j + k + l + m + n \leq$ 500 m (1 641 ft)
- 3 Length of pipe from each indoor unit to the closest HR unit (a, b, c, d, e, f, g, i, j, k, l, m, n) \leq 40 m (131 ft)
- 4 [Length of pipe from outdoor unit to the farthest indoor unit D12 (B+C3+K) - [Length of pipe from outdoor unit to the closest indoor unit D1 (C1+a)] \leq 40 m (131 ft)

! WARNING

When the equivalent length between a outside and the farthest indoor unit is 90 m (295 ft) or more, main pipe(A) must be increased one grade.

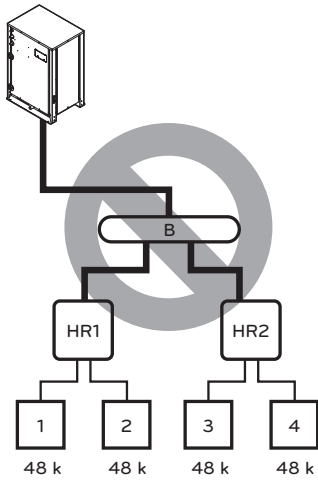
Refrigerant pipe diameter from outdoor unit to first branch. (A)

ODU Capacity (HP(ton))	Standard Pipe Diameter			Pipe diameter when pipe length is \geq 90 m (295 ft)		
	Liquid Pipe mm (inch)	Low Pressure Vapor Pipe [mm(inch)]	High Pressure Vapor Pipe [mm(inch)]	Liquid Pipe mm (inch)	Low Pressure Vapor Pipe [mm(inch)]	High Pressure Vapor Pipe [mm(inch)]
8(6)	\varnothing 9.52 (3/8)	\varnothing 19.05 (3/4)	\varnothing 15.88 (5/8)	\varnothing 12.7 (1/2)	Not increased	Not increased
10(8)	\varnothing 9.52 (3/8)	\varnothing 22.2 (7/8)	\varnothing 19.05 (3/4)	\varnothing 12.7 (1/2)	Not increased	Not increased
12(10)	\varnothing 12.7 (1/2)	\varnothing 28.58 (1-1/8)	\varnothing 19.05 (3/4)	\varnothing 15.88 (5/8)	Not increased	Not increased
14(12)	\varnothing 12.7 (1/2)	\varnothing 28.58 (1-1/8)	\varnothing 22.2 (7/8)	\varnothing 15.88 (5/8)	Not increased	Not increased
20(16)	\varnothing 15.88 (5/8)	\varnothing 28.58 (1-1/8)	\varnothing 28.58 (1-1/8)	\varnothing 19.05 (3/4)	Not increased	Not increased
24(20)	\varnothing 15.88 (5/8)	\varnothing 34.9 (1-3/8)	\varnothing 28.58 (1-1/8)	\varnothing 19.05 (3/4)	Not increased	Not increased
28~34 (24~28)	\varnothing 19.05 (3/4)	\varnothing 34.9 (1-3/8)	\varnothing 28.58 (1-1/8)	\varnothing 22.2 (7/8)	Not increased	Not increased
43~54 (36~46)	\varnothing 19.05 (3/4)	\varnothing 41.3 (1-5/8)	\varnothing 28.58 (1-1/8)	\varnothing 22.2 (7/8)	Not increased	Not increased

* If available on site, select pipe size according to upper table. Otherwise it doesn't need to be increased.

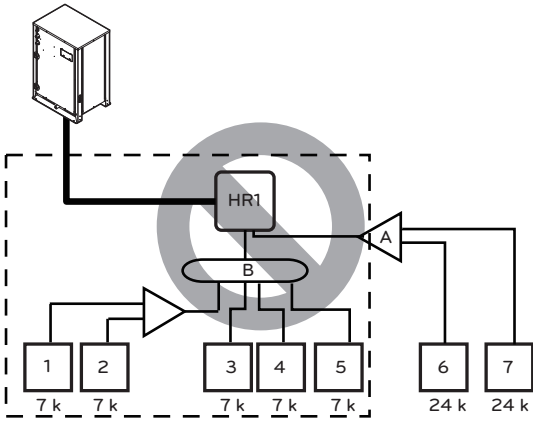
Y branch, Header and HR unit connection pattern

Pattern 1



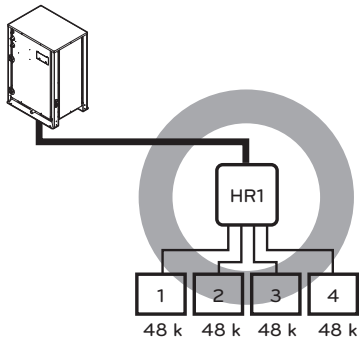
• Impossible installation : Head branch pipe → HR unit

Pattern 2



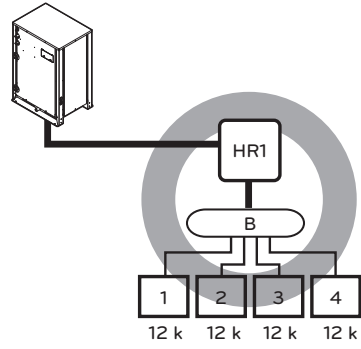
• Impossible installation : HR unit → Head branch pipe → Y and Head branch pipe.

Pattern 3



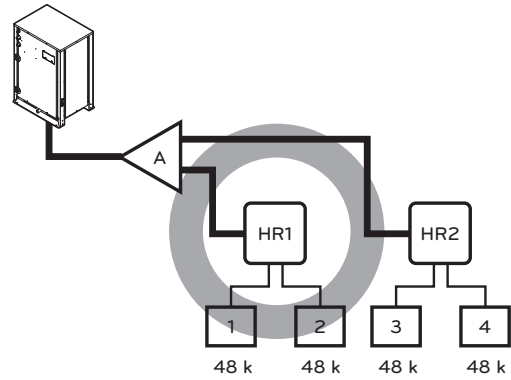
• The maximum total capacity of indoor units is 56.4 kW (192 kBtu/h).

Pattern 4

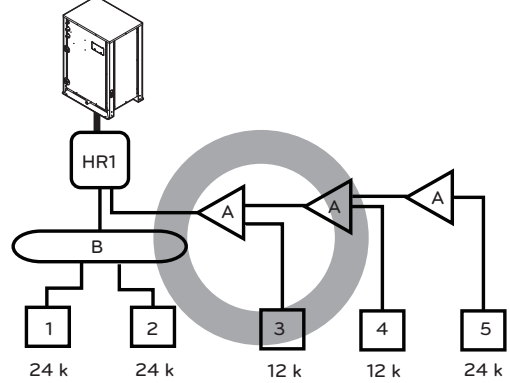


• The maximum total capacity of a branch pipe of HR unit is 14.1 kW(48 kBtu/h).

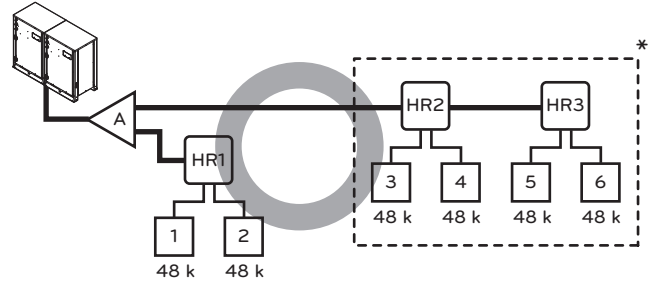
Pattern 5



Pattern 6

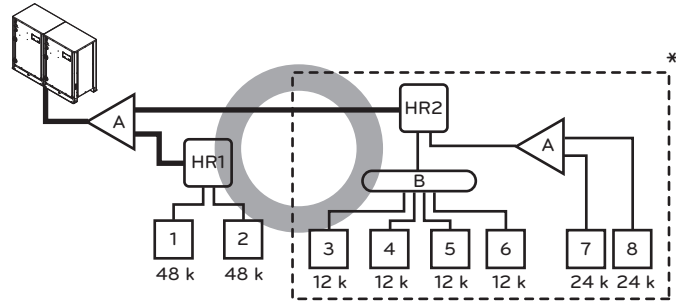


Pattern 7

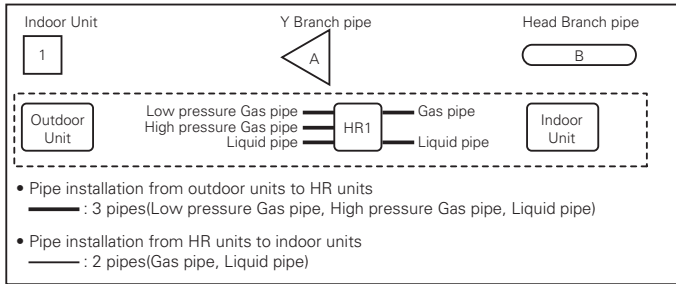


• * : Serial connection of HR units : Capacity sum of indoor units ≤ 192 kBtu/h

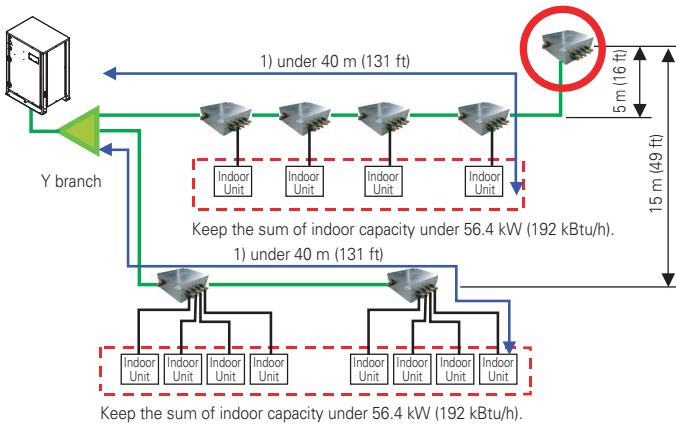
Pattern 8



* : Maximum indoor units per a branch are 8 indoor units



Keep the 40 m distance from the first branch to the farthest indoor.



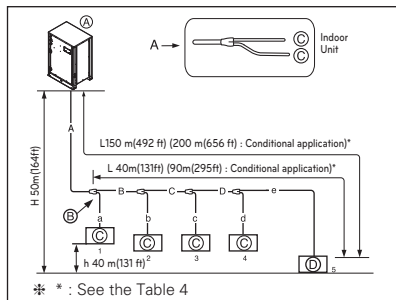
For Heat Pump System Installation

Refrigerant piping system

1 Outdoor Unit

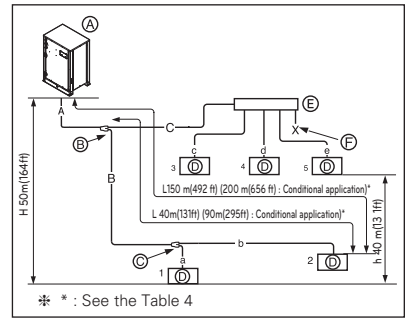
Y branch method

- Ⓐ : Outdoor Unit
- Ⓑ : 1st branch (Y branch)
- Ⓒ : Indoor Units
- Ⓓ : Downward Indoor Unit



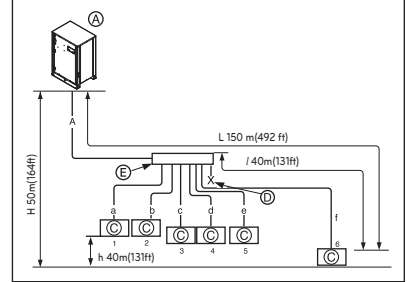
Combination of Y branch/header method

- Ⓐ : Outdoor Unit
- Ⓑ : 1st branch (Y branch)
- Ⓒ : Y branch
- Ⓓ : Indoor Unit
- Ⓔ : Header
- Ⓕ : Sealed piping



Header method

- Ⓐ : Outdoor Unit
- Ⓒ : Indoor Units
- Ⓓ : Sealed piping
- Ⓔ : Header



Piping length from outdoor branch to outdoor unit ≤ 10 m (33 ft), equivalent length : max 13 m (43 ft) (for 14 Ton or more)

Additional Application

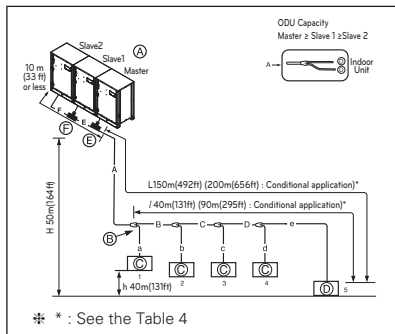
To satisfy below condition to make 40 m (131 ft) ~ 90 m (295 ft) of pipe length after first branch.

- Diameter of pipes between first branch and the last branch should be increased by one step, except pipe diameter B, C, D is same as Diameter A
 $\varnothing 1/4(6.35 \text{ mm}) \rightarrow \varnothing 3/8(9.52 \text{ mm}) \rightarrow \varnothing 1/2(12.7 \text{ mm}) \rightarrow \varnothing 5/8(15.88 \text{ mm}) \rightarrow \varnothing 3/4(19.05 \text{ mm}) \rightarrow \varnothing 7/8(22.2 \text{ mm}) \rightarrow \varnothing 1(25.4)^* \rightarrow \varnothing 1-1/8(28.58 \text{ mm}) \rightarrow \varnothing 1-1/4(31.8 \text{ mm})^* \rightarrow \varnothing 1-3/8(34.9 \text{ mm}) \rightarrow \varnothing 1-1/2(38.1 \text{ mm})^* \rightarrow \varnothing 1-5/8(41.3 \text{ mm})$
 * : It is not necessary to size up.
 * If the step up size is not available, you can not select the next higher size available.
- While calculating whole refrigerant pipe length, pipe B, C, D length should be calculated twice.
 $A+B \times 2 + C \times 2 + D \times 2 + a + b + c + d + e \leq 500 \text{ m (1 641 ft)}$
- Length of pipe from each indoor unit to the closest branch (a,b,c,d,e) ≤ 40 m (131 ft)
- [Length of pipe from outdoor unit to the farthest indoor unit 5 (A+B+C+D+e)] - [Length of pipe from outdoor unit to the closest indoor unit 1 (A+a)] ≤ 40 m (131 ft)

Series Outdoor Units (2 Units ~ 3 Units)

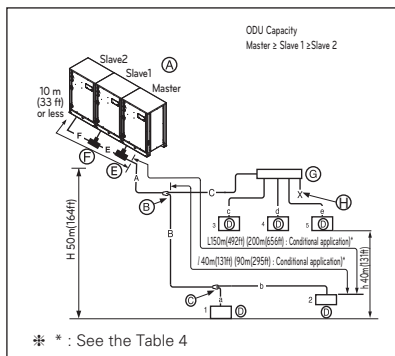
Y branch method

- A : Outdoor Unit
- B : 1st branch (Y branch)
- C : Indoor Units
- D : Downward Indoor Unit
- E : Connection branch pipe between Outdoor units : ARCNN31
- F : Connection branch pipe between Outdoor units : ARCNN21



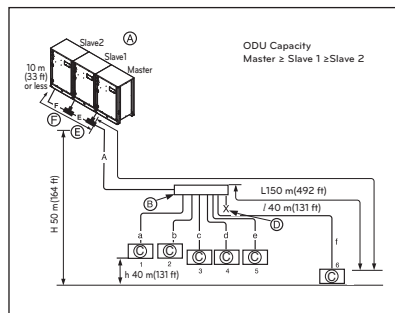
Combination of Y branch/ header method

- A : Outdoor Unit
- B : 1st branch (Y branch)
- C : Y branch
- D : Indoor Unit
- E : Connection branch pipe between Outdoor units : ARCNN31
- F : Connection branch pipe between Outdoor units : ARCNN21
- G : Header
- H : Sealed piping

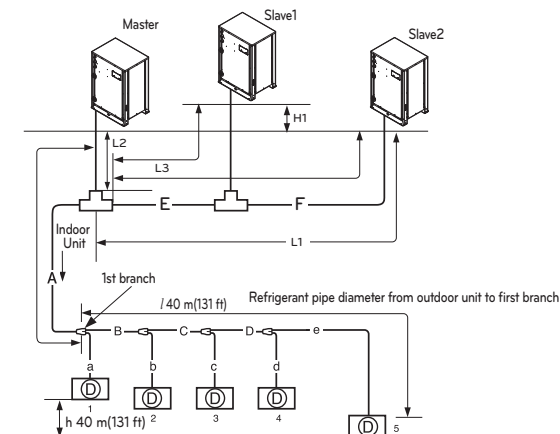


Header method

- A : Outdoor Unit
- B : Header
- C : Indoor Units
- D : Sealed piping
- E : Connection branch pipe between Outdoor units : ARCNN31
- F : Connection branch pipe between Outdoor units : ARCNN21



Pipe Connection Method between outdoor unit /indoor unit



* See Table 2

- A : Refrigerant pipe diameter from outdoor unit to first branch
- E : Refrigerant pipe diameter for outdoor unit capacity (Slave 1+ Slave 2)
- F : Refrigerant pipe diameter for outdoor unit capacity (Slave 2)

Level Difference (H1) (Outdoor unit ↔ Outdoor unit)	5 m(16.4 ft)
Max length from first branch to each outdoor unit (L1,L2,L3)	Less than 10 m(35 ft) [equivalent length of piping 13 m(43 ft)]

(Table 1) Limit Pipe length

Classification	Section	Type	Y branch	Y/header branch	Header branch
Max pipe length	Outdoor Unit ↔ Indoor Unit	Maximum pipe length(L)	A+B+C+D+e ≤ 150 m(492 ft) (Conditionally 200 m (656 ft))*	A+B+b ≤ 150 m(492 ft) A+C+e ≤ 150 m(492 ft) (Conditionally 200 m (656 ft))*	A+f ≤ 150 m(492 ft)
		Equivalent pipe length	175 m(574 ft) (Conditionally 225 m(738 ft))*	175 m(574 ft) (Conditionally 225 m(738 ft))*	175 m (574 ft)
		Total pipe length	300 m(984 ft) (Conditionally 500 m(1 640 ft))*	300 m(984 ft) (Conditionally 500 m(1 640 ft))*	300 m(984 ft) (Conditionally 500 m(1 640 ft))*
Max difference in height	Outdoor Unit ↔ Indoor Unit	Difference in height(H)	50 m(164 ft)	50 m(164 ft)	50 m(164 ft)
	Indoor Unit ↔ Indoor Unit	Difference in height(h)	40 m(131 ft)	40 m(131 ft)	40 m(131 ft)
Longest pipe length after 1st branch		Pipe length(l)	40 m(131 ft) (Conditionally 90 m(295 ft))*	40 m(131 ft) (Conditionally 90 m(295 ft))*	40 m(131 ft)

* : See Table 4

WARNING

Increased Pipe Diameter (table 2)
- When pipe length is Over 40 m(131 ft) from 1st branch to longest IDU.

(Table 2) Refrigerant pipe diameter from outdoor unit to first branch. (A)

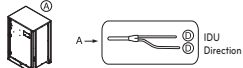
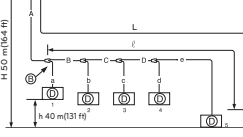
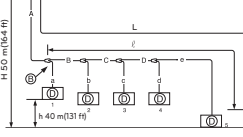
ODU capacity (HP(ton))	Pipe diameter when pipe Length is < 90 m (295 ft) (Standard)		Pipe diameter when pipe length (ODU ↔ IDU) is ≥ 90 m (295 ft)	
	Liquid pipe [mm(inch)]	Vapor pipe [mm(inch)]	Liquid pipe [mm(inch)]	Vapor pipe [mm(inch)]
8(6)	∅ 9.52(3/8)	∅ 19.05(3/4)	∅ 12.7(1/2)	∅ 22.2(7/8)
10(8)	∅ 9.52(3/8)	∅ 22.2(7/8)	∅ 12.7(1/2)	∅ 28.58(1-1/8)
12(10)~14(12)	∅ 12.7(1/2)	∅ 28.58(1-1/8)	∅ 15.88(5/8)	Not increased
20(16)	∅ 15.88(5/8)	∅ 28.58(1-1/8)	∅ 19.05(3/4)	∅ 31.8(1-1/4)
24(20)	∅ 15.88(5/8)	∅ 34.9(1-3/8)	∅ 19.05(3/4)	Not increased
28~34(24~28)	∅ 19.05(3/4)	∅ 34.9(1-3/8)	∅ 22.2(7/8)	∅ 38.1(1-1/2)
43~54(36~46)	∅ 19.05(3/4)	∅ 41.3(1-5/8)	∅ 22.2(7/8)	Not increased

(Table 3) Refrigerant pipe diameter from first branch to last branch (B,C,D)

Downward indoor unit total capacity [kW(Btu/h)]	Liquid pipe [mm(inch)]	Gas pipe [mm(inch)]
≤ 5.6(19 100)	Ø 6.35(1/4)	Ø 12.7(1/2)
< 16.0 (54 600)	Ø 9.52(3/8)	Ø 15.88(5/8)
≤ 22.4 (76 400)	Ø 9.52(3/8)	Ø 19.05(3/4)
< 33.6 (114 700)	Ø 9.52(3/8)	Ø 22.2(7/8)
< 50.4 (172 000)	Ø 12.7(1/2)	Ø 28.58(1-1/8)
< 67.2 (229 400)	Ø 15.88(5/8)	Ø 28.58(1-1/8)
< 72.8(248 500)	Ø 15.88(5/8)	Ø 34.9(1-3/8)
< 100.8(344 000)	Ø 19.05(3/4)	Ø 34.9(1-3/8)
< 173.6(592 500)	Ø 19.05(3/4)	Ø 41.3(1-5/8)

(Table 4) Conditional Application

- To satisfy below condition to make 40m(131ft) ~ 90m(295ft) of pipe length after first branch.

	Required	Example
1	Select the diameter of the pipe between the 1st branch and the last branch to be 1 level larger. Provided that, it is not necessary if the pipe diameter is the same as the main pipe.	$40\text{ m}(131\text{ ft})$ $< B+C+D+e \leq 90\text{ m}(295\text{ ft})$ → Change B, C, and D pipe diameter. $\text{Ø } 6.35(1/4") \rightarrow \text{Ø } 9.52(3/8")$ $\text{Ø } 9.52(3/8") \rightarrow \text{Ø } 12.7(1/2")$ $\text{Ø } 12.7(1/2") \rightarrow \text{Ø } 15.88(5/8")$ $\text{Ø } 15.88(5/8") \rightarrow \text{Ø } 19.05(3/4")$ $\text{Ø } 19.05(3/4") \rightarrow \text{Ø } 22.2(7/8")$ $\text{Ø } 22.2(7/8") \rightarrow \text{Ø } 25.4(1")$ $\text{Ø } 25.4(1") \rightarrow \text{Ø } 28.58(1-1/8")$ $\text{Ø } 28.58(1-1/8") \rightarrow \text{Ø } 31.8(1-1/4")$ $\text{Ø } 31.8(1-1/4") \rightarrow \text{Ø } 34.9(1-3/8")$ $\text{Ø } 34.9(1-3/8") \rightarrow \text{Ø } 38.1(1-1/2")$
2	During the calculation of the total refrigerant pipe length, the above pipe length shall be calculated as twice.	$A+Bx2+Cx2+Dx2+a+b+c+d+e \leq 500\text{ m}(1\ 640\text{ ft})$ 
3	The length from each indoor unit to the nearest branch pipe ≤ 40 m(131 ft)	$a, b, c, d, e \leq 40\text{ m}(131\text{ ft})$ 
4	Length from outdoor unit to the farthest indoor unit - [Length from outdoor unit to the nearest indoor unit] ≤ 40 m(131 ft)	$(A+B+C+D+e) - (A+a) \leq 40\text{ m}(131\text{ ft})$ 

! WARNING

Pipe length after header branching (a~f)

It is recommended that difference in length of the pipes connected to the Indoor Units is minimized. Performance difference between Indoor Units may occur.

Outdoor unit Connection**! WARNING**

- In case of pipe diameter B connected after first branch is bigger than the main pipe diameter A, B should be of the same size with A.

Ex) In case indoor unit combination ratio 120 % is connected to 20 HP (58 kW) outdoor unit .

- Outdoor unit main pipe diameter A : Ø 28.58(1-1/8") (gas pipe), Ø 12.7(1/2") (liquid pipe)
- Pipe diameter B after first branch according to 120 % indoor unit ombination(69.6 kW) : Ø 28.58 (1-1/8") (gas pipe), Ø 15.88(5/8") (liquid pipe) Therefore, pipe diameter B connected after first branch would be Ø 28.58(1-1/8") (gas pipe) / Ø 12.7(1/2") (liquid pipe) which is same with main pipe diameter.

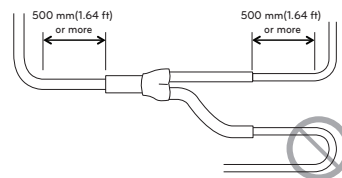
Indoor Unit Connection

Indoor unit connecting pipe from branch (a~f)

Indoor Unit capacity [kW(Btu/h)]	Liquid pipe [mm(inch)]	Gas pipe [mm(inch)]
≤ 5.6(19 100)	Ø 6.35(1/4)	Ø 12.7(1/2)
< 16.0(54 600)	Ø 9.52(3/8)	Ø 15.88(5/8)
< 22.4(76 400)	Ø 9.52(3/8)	Ø 19.05(3/4)
< 28.0(95 900)	Ø 9.52(3/8)	Ø 22.2(7/8)

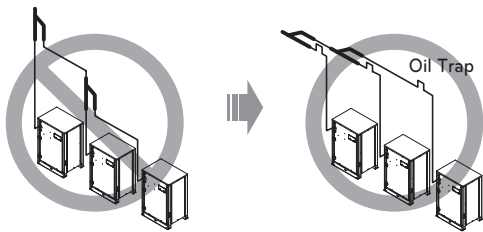
! CAUTION

- Bending radius should be at least twice the diameter of the pipe.
- Bend pipe after 500 mm (1.64 ft) or more from branch(or header). Do not bend U type. It may cause Performance unsatisfactory or noise.
- If U type bending is required the R should be more than 200 mm [7.9 inch].



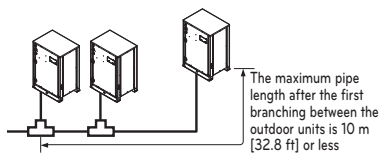
Pipe Connection Method/Precautions for Series connections between Outdoor units

- Separate Y branch joints are needed for series connections between outdoor units.
- Y-branches between the outdoor units must be installed horizontally.

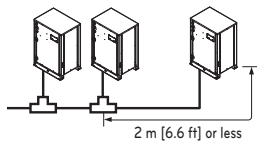


- Please refer to the below connection examples to install pipe connections between outdoor units.

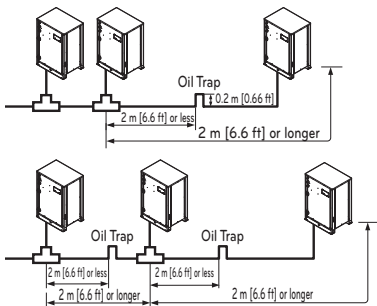
Pipe connection between outdoor units (General Case)



Pipes between outdoor units are 2 m [6.6 ft] or less



Pipes between outdoor units are 2 m [6.6 ft] or longer

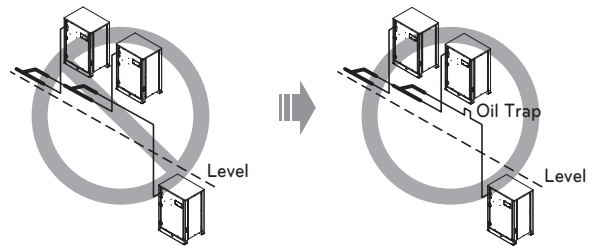


- If the distance between the outdoor units becomes more than 2 m [6.6 ft], apply Oil Traps between the gas pipes.
- If the outdoor unit is located lower than the main pipe, apply Oil Trap.

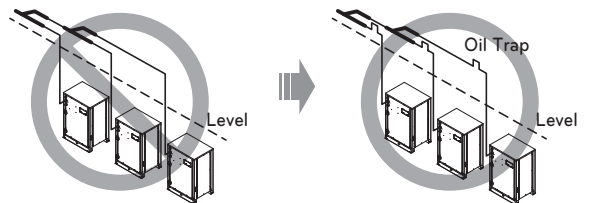
Oil trap application method between outdoor units

- Because of the possibility of oil being accumulated in the outdoor unit that has stopped, when there is a height difference between outdoor unit pipes or if the pipe distance between the outdoor units is over 2 m (6.6 ft), you must always apply an oil trap. (But, the oil trap between outdoor units is limited to 1 time and is only applied to the gas pipe.)
- If the pipe distance between the outdoor units is 2 m (6.6 ft) or below, and if the location of the main pipe is lower than that of the outdoor unit, the oil trap does not have to be applied.
- If the location of the main pipe is higher than the location of the outdoor unit, be careful since the oil can be accumulated in the stopped outdoor unit.
- If there is high/low difference between the outdoor unit pipes, oil can be accumulated to the outdoor unit on the lower location until the unit stops.

- If outdoor units are located at different level, oil trap must be installed after each Y branch.
- Oil trap should be located at same level of Y branch. (Heat Pump : High Pressure Vapor / Heat Recovery : High Pressure Vapor & Low Pressure Vapor)



- If pipe is higher than outdoor unit, oil trap must be installed after each Y branch.
- Oil trap should be located at same level of Y branch. (Heat Pump : High Pressure Vapor / Heat Recovery : High Pressure Vapor & Low Pressure Vapor)

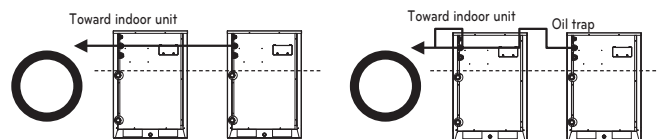


- The pipes between the outdoor units must maintain horizontal levelness or give an inclination to prevent a back flow toward the slave outdoor unit. Otherwise, the unit may not operate properly.

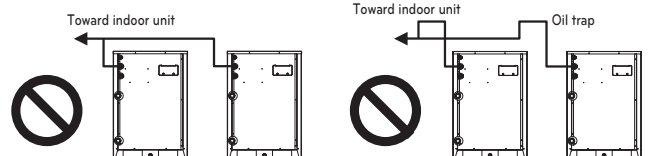
(Example 1)



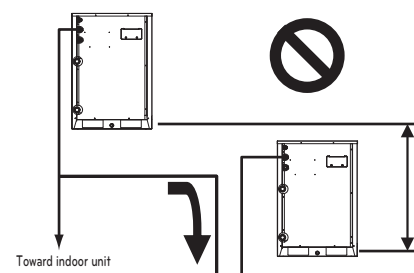
(Example 2)

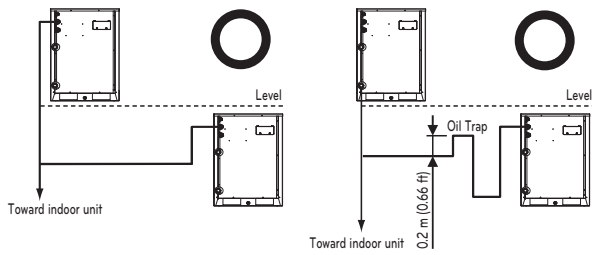


(Example 3)



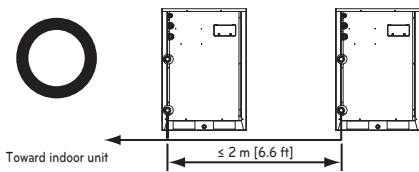
(Example 4)



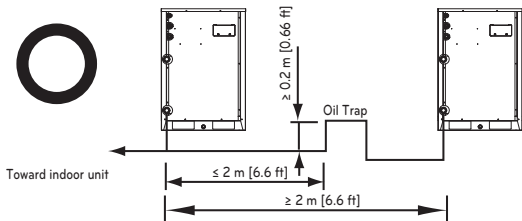


- Apply Oil Trap as shown below when the length of the pipe between the outdoor units is more than 2 m [6.6 ft]. Otherwise, the unit may not operate properly.

(Example 1)



(Example 2)



The amount of Refrigerant

The calculation of the additional charge should take into account the length of pipe and CF(correction Factor) value of indoor unit.

Additional charge(kg)	=	Total liquid pipe : $\varnothing 25.4\text{ mm (1.0 inch)}$	$\times 0.480\text{ kg/m (0.323 (lbs/ft))}$
	+	Total liquid pipe : $\varnothing 22.2\text{ mm (7/8 inch)}$	$\times 0.354\text{ kg/m (0.238 (lbs/ft))}$
	+	Total liquid pipe : $\varnothing 19.05\text{ mm (3/4 inch)}$	$\times 0.266\text{ kg/m (0.179 (lbs/ft))}$
	+	Total liquid pipe : $\varnothing 15.88\text{ mm (5/8 inch)}$	$\times 0.173\text{ kg/m (0.116 (lbs/ft))}$
	+	Total liquid pipe : $\varnothing 12.7\text{ mm (1/2 inch)}$	$\times 0.118\text{ kg/m (0.079 (lbs/ft))}$
	+	Total liquid pipe : $\varnothing 9.52\text{ mm (3/8 inch)}$	$\times 0.061\text{ kg/m (0.041 (lbs/ft))}$
	+	Total liquid pipe : $\varnothing 6.35\text{ mm (1/4 inch)}$	$\times 0.022\text{ kg/m (0.015 (lbs/ft))}$

Include only for Heat Recovery system + Number of installed HR units $\times 0.5\text{ kg (1.1 lbs)}$
 * 6 & 8 Branches
 Model : 1.0 kg/EA (2.2 lbs/EA)

CF value of indoor unit

Amount refrigerant of Indoor units
 Example) 4Way Ceiling Cassette 14.5 kW -1 ea, Ceiling concealed Duct 7.3 kW-2 ea, Wall Mounted 2.3 kW-4 ea
 $CF = 0.64 \times 1 + 0.26 \times 2 + 0.24 \times 4 = 2.12\text{ kg (4.67 lbs)}$

Attach the additional refrigerant table of IDU.

WARNING

- Regulation for refrigerant leakage : the amount of refrigerant leakage should satisfy the following equation for human safety.

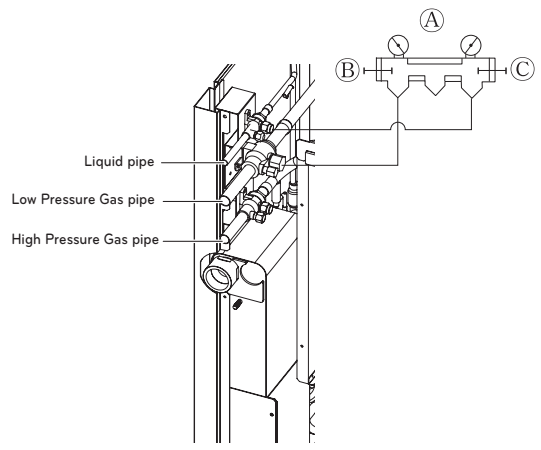
$$\frac{\text{Total amount of refrigerant in the system}}{\text{Volume of the room at which Indoor Unit of the least capacity is installed}} \leq 0.44\text{ (kg/m}^3\text{)} \quad (0.028\text{ (lbs/ft}^3\text{)})$$

- If the above equation can not be satisfied, then follow the following steps.**
- Selection of air conditioning system: select one of the next
 - Installation of effective opening part
 - Reconfirmation of Outdoor Unit capacity and piping length
 - Reduction of the amount of refrigerant
 - Installation of 2 or more security device (alarm for gas leakage)
 - Change Indoor Unit type : installation position should be over 2 m (6.56 ft) from the floor (Wall mounted type → Cassette type)
 - Adoption of ventilation system : choose ordinary ventilation system or building ventilation system
 - Limitation in piping work : Prepare for earthquake and thermal stress

Refrigerant charging

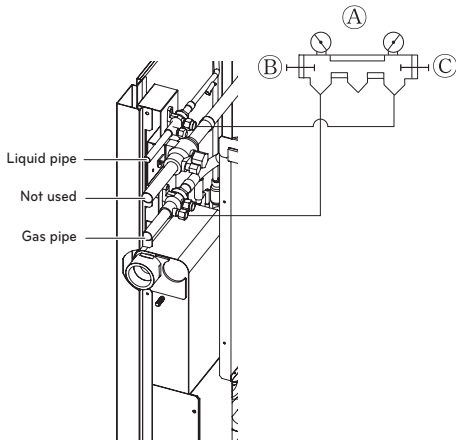
For Heat Recovery System Installation

- Ⓐ Manifold Gauge
- Ⓑ Low pressure side Handle
- Ⓒ High pressure side Handle

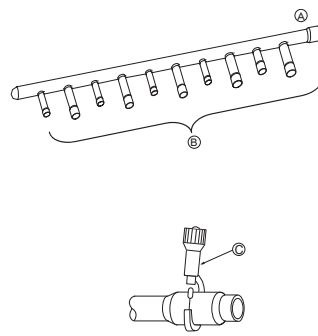


For Heat Pump System Installation

- Ⓐ Manifold Gauge
- Ⓑ Low pressure side Handle
- Ⓒ High pressure side Handle



Header



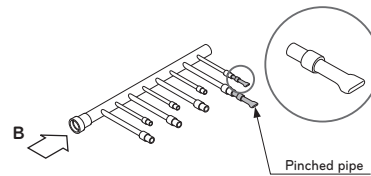
- Ⓐ To Outdoor Unit
- Ⓑ To Indoor Unit

- The indoor unit having larger capacity must be installed closer to Ⓐ than smaller one.
- If the diameter of the refrigerant piping selected by the procedures described is different from the size of the joint, the connecting section should be cut with a pipe cutter.

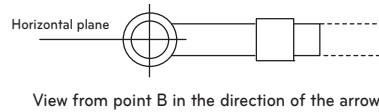
Ⓒ Pipe cutter

- When the number of pipes to be connected is smaller than the number of header branches, install a cap to the unconnected branches.

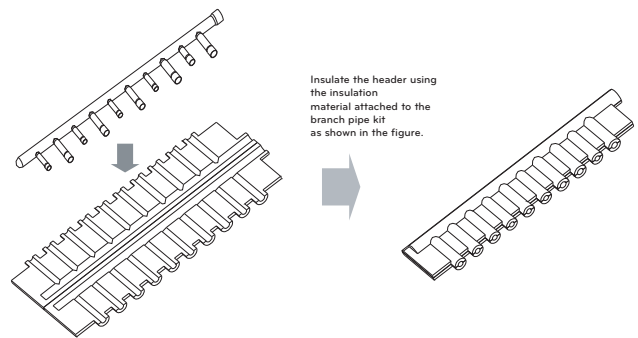
- When the number of indoor units to be connected to the branch pipes is less than the number of branch pipes available for connection then cap pipes should be fitted to the surplus branches.



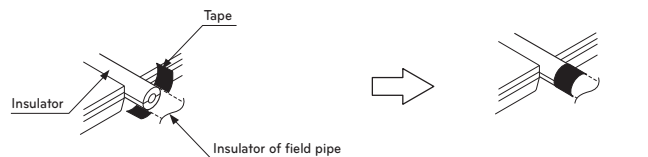
- Fit branch pipe lie in a horizontal plane.



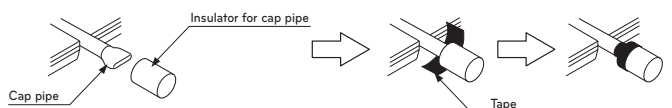
- Header should be insulated with the insulator in each kit.



- Joints between branch and pipe should be sealed with the tape included in each kit.



- Any cap pipe should be insulated using the insulator provided with each kit and then taped as described above.

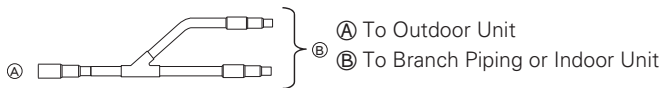


! WARNING

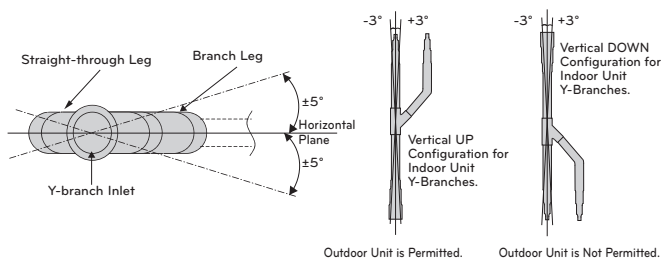
- Pipe to be vacuumed
 - For Heat Recovery system : Liquid pipe, Low Pressure gas pipe
 - For Heat Pump system : Liquid pipe, Gas pipe
- If the refrigerant amount is not exact, it may not operate properly.
- If additionally bottled refrigerant amount is over 10 %, condenser burst or insufficient indoor unit performance may be caused.
- Low pressure gas pipe should be sealed with a cap in piping accessories during refrigerant charging.

Branch pipe Fitting

Y Branch

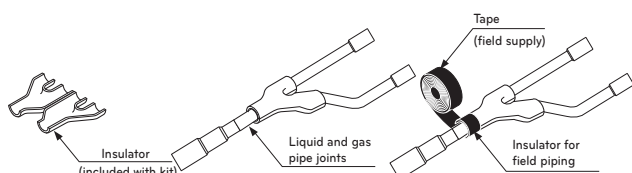


- Ensure that the branch pipes are attached horizontally or vertically (see the diagram below.)



Outdoor unit Y-branches can only be installed in a horizontal or vertical UP configuration. The vertical DOWN configuration is not permitted.

- There is no limitation on the joint mounting configuration.
- If the diameter of the refrigerant piping selected by the procedures described is different from the size of the joint, the connecting section should be cut with a pipe cutter.
- Branch pipe should be insulated with the insulator in each kit.



Y branch pipe

For Heat Recovery System Installation

[Unit : mm(inch)]

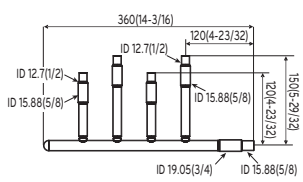
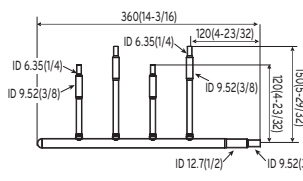
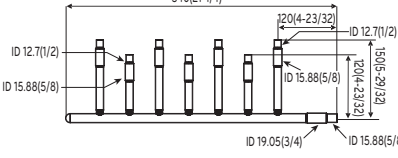
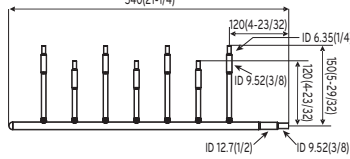
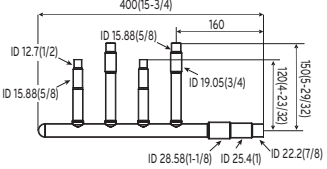
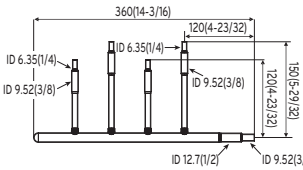

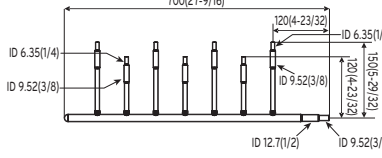
Models	Pipe
ARBLB01621	Low-Pressure Vapor Pipe
	Liquid pipe
	High-Pressure Vapor Pipe
ARBLB03321	Low-Pressure Vapor Pipe
	Liquid pipe
	High-Pressure Vapor Pipe

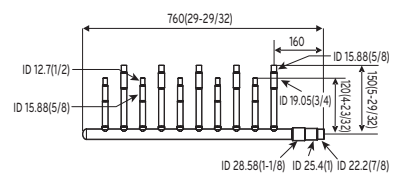
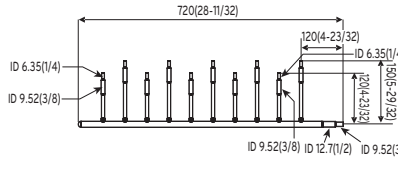
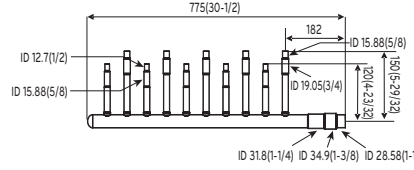
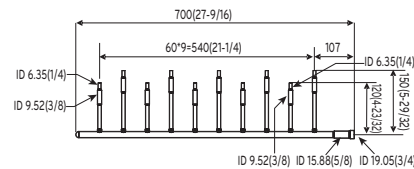
Models	Pipe
ARBLB07121	Low-Pressure Vapor Pipe
	Liquid pipe
	High-Pressure Vapor Pipe
ARBLB14521	Low-Pressure Vapor Pipe
	Liquid pipe
	High-Pressure Vapor Pipe

For more information, refer accessory installation manual.

Header

[Unit:mm(inch)]

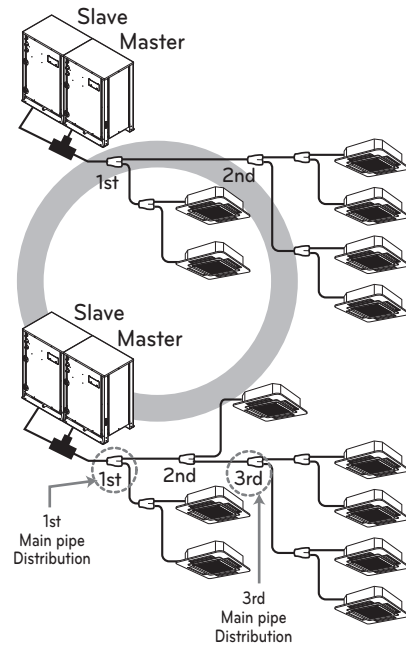
Models	Pipe
4 branch ARBL054	Gas pipe 
	Liquid pipe 
7 branch ARBL057	Gas pipe 
	Liquid pipe 
4 branch ARBL104	Gas pipe 
	Liquid pipe 
7 branch ARBL107	Gas pipe 
	Liquid pipe 

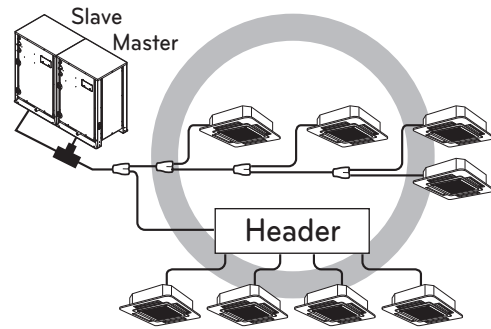
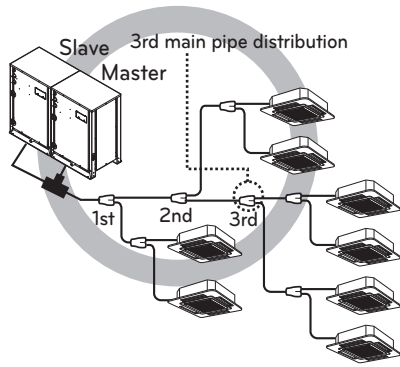
Models	Pipe
10 branch ARBL1010	Gas pipe 
	Liquid pipe 
10 branch ARBL2010	Gas pipe 
	Liquid pipe 

For more information, refer accessory installation manual.

Distribution Method

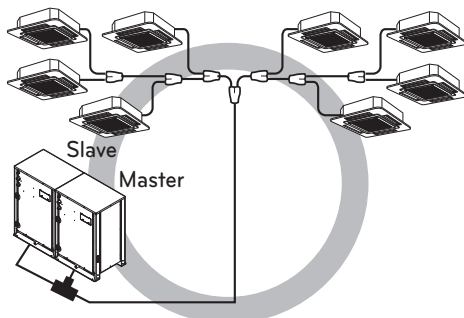
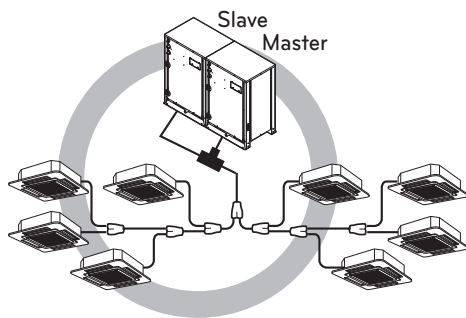
Horizontal Distribution



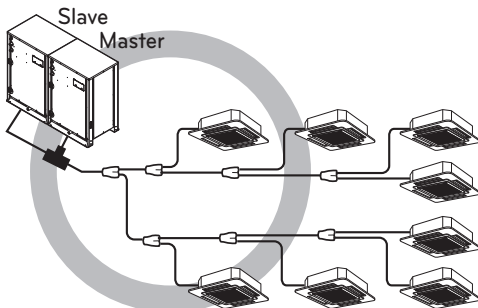


Vertical Distribution

- Ensure that the branch pipes are attached vertically.



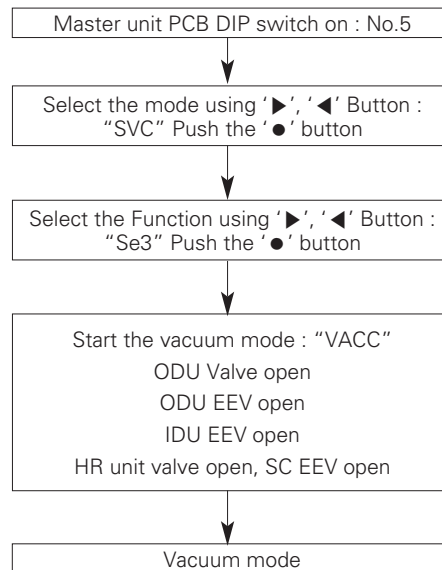
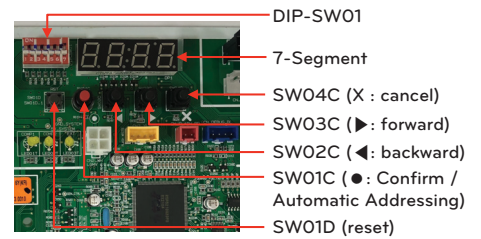
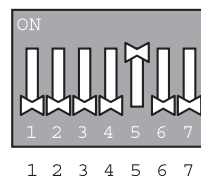
The others



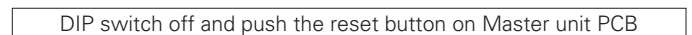
Vacuum Mode

This function is used for creating vacuum in the system after compressor replacement, ODU parts replacement or IDU addition/replacement.

Vacuum mode setting method



Vacuum mode off method



CAUTION

ODU operation stops during vacuum mode. Compressor can't operate.

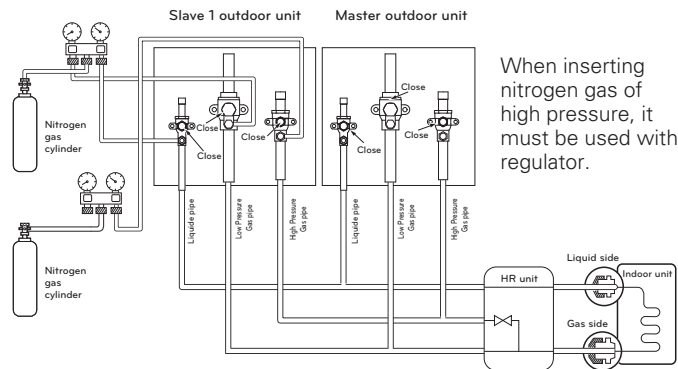
Leak Test and Vacuum drying

Leak test

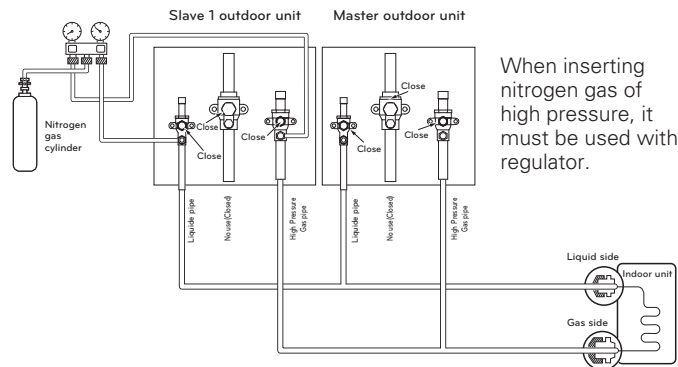
Leak test should be made by pressurizing nitrogen gas to 3.8 MPa (551.1 psi). If the pressure does not drop for 24 hours, the system passes the test. If the pressure drops, check where the nitrogen leaks. For the test method, refer to the following figure. (Make a test with the service valves closed. Be also sure to pressurize liquid pipe, gas pipe and high/low pressure common pipe)

The test result can be judged good if the pressure has not been reduced after leaving for about one day after completion of nitrogen gas pressurization.

Series Installation (Heat Recovery)



Series Installation (Heat Pump)



WARNING

Use a vacuum pump or Inert(nitrogen) gas when doing leakage test or air purge. Do not compress air or Oxygen and do not use Flammable gases. Otherwise, it may cause fire or explosion.

- There is the risk of death, injury, fire or explosion.

NOTE

If the ambient temperature differs between the time when pressure is applied and when the pressure drop is checked, apply the following correction factor

There is a pressure change of approximately 0.01 MPa (1.5 psi) for each 1.8 °F (1 °C) of temperature difference.

Correction= (Temp. at the time of pressurization – Temp. at the time of check) X 0.1

For example: Temperature at the time of pressurization
3.8 MPa (551 psi) is 80.6 °F (27 °C)
24 hour later: 3.73 MPa (541 psi), 68 °F (20 °C)

In this case the pressure drop of 0.07 MPa (10 psi) is because of temperature drop And hence there is no leakage in pipe occurred.

CAUTION

To prevent the nitrogen from entering the refrigeration system in the liquid state, the top of the cylinder must be at higher position than the bottom when you pressurize the system.

Usually the cylinder is used in a vertical standing position.

Vacuum

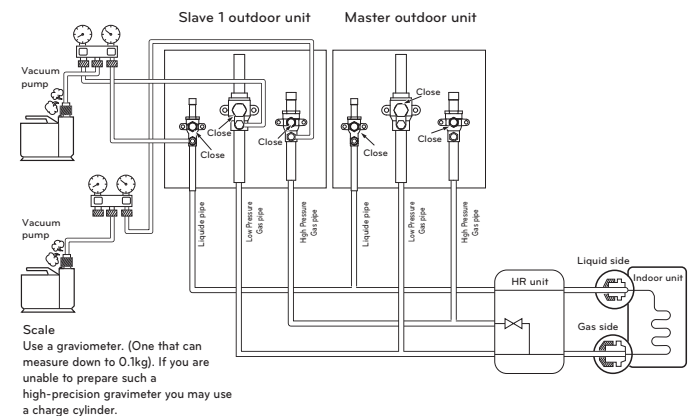
Vacuum drying should be made from the service port provided on the outdoor unit's service valve to the vacuum pump commonly used for liquid pipe, gas pipe and high/low pressure common pipe. (Make Vacuum from liquid pipe, gas pipe and high/low pressure common pipe with the service valve closed.)

* Never perform air purging using refrigerant.

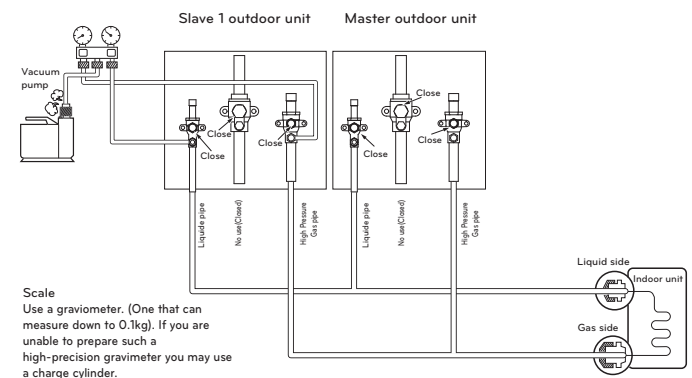
• Vacuum drying: Use a vacuum pump that can evacuate to -100.7 kPa (-14.6 psi, 5 Torr, -755 mmHg).

- Evacuate the system from the liquid and gas pipes with a vacuum pump for over 2 hrs and bring the system to -100.7 kPa (-14.6 psi). After maintaining system under that condition for over 1 hr, confirm the vacuum gauge rises. The system may contain moisture or leak.
- Following should be executed if there is a possibility of moisture remaining inside the pipe. (Rainwater may enter the pipe during work in the rainy season or over a long period of time)
After evacuating the system for 2 hrs, give pressure to the system to 0.05 MPa (7.3 psi) (vacuum break) with nitrogen gas and then evacuate it again with the vacuum pump for 1hr to -100.7 kPa (-14.6 psi)(vacuum drying). If the system cannot be evacuated to -100.7 kPa(-14.6 psi) within 2 hrs, repeat the steps of vacuum break and its drying. Finally, check if the vacuum gauge does not rise or not, after maintaining the system in vacuum for 1 hr.

Series Installation (Heat Recovery)



Series Installation (Heat Pump)



NOTE

Always add an appropriate amount of refrigerant. (For the refrigerant additional charge)
 Too much or too little refrigerant will cause trouble.
 To use the Vacuum Mode (If the Vacuum mode is set, all valves of Indoor units and Outdoor units will be opened.)

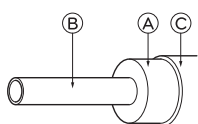
WARNING

When installing and moving the air conditioner to another site, recharge after perfect evacuation.

- If a different refrigerant or air is mixed with the original refrigerant, the refrigerant cycle may malfunction and the unit may be damaged.

Thermal insulation of refrigerant piping

Be sure to give insulation work to refrigerant piping by covering liquid pipe and gas pipe separately with enough thickness heat-resistant polyethylene, so that no gap is observed in the joint between indoor unit and insulating material, and insulating materials themselves. When insulation work is insufficient, there is a possibility of condensation drip, etc. Pay special attention to insulation work to ceiling plenum.



Heat insulation material	Adhesive + Heat - resistant polyethylene foam + Adhesive tape	
Outer covering	Indoor	Vinyl tape
	Floor exposed	Water-proof hemp cloth + Bronze asphalt
	Outdoor	Water-proof hemp cloth + Zinc plate + Oily paint

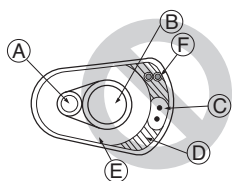
- (A) Heat insulation material
- (B) Pipe
- (C) Outer covering (Wind the connection part and cutting part of heat insulation material with a finishing tape.)

NOTE

When using polyethylene cover as covering material, asphalt roofing shall not be required.

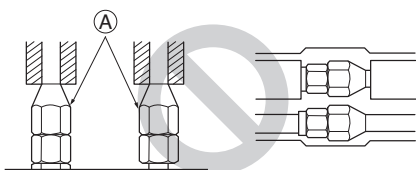
Bad example

- Do not insulate gas or low pressure pipe and liquid or high pressure pipe together.



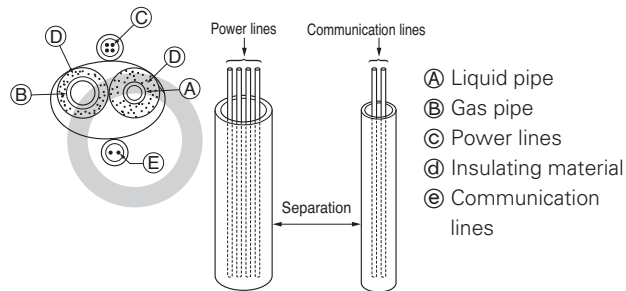
- (A) Liquid pipe
- (B) Gas pipe
- (C) Power lines
- (D) Finishing tape
- (E) Insulating material
- (F) Communication lines

- Be sure to fully insulate connecting portion.

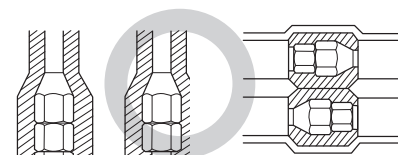


(A) These parts are not insulated.

Good example

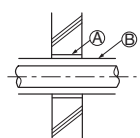


- (A) Liquid pipe
- (B) Gas pipe
- (C) Power lines
- (D) Insulating material
- (E) Communication lines

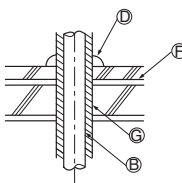


Penetrations

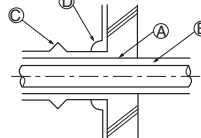
Inner wall (concealed)



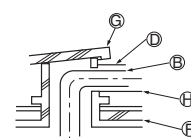
Floor (fireproofing)



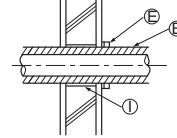
Outer wall



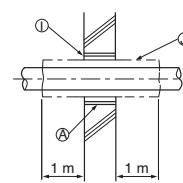
Penetrating portion on fire limit and boundary wall



Outer wall (exposed)



Roof pipe shaft



- (A) Sleeve
- (B) Heat insulating material
- (C) Lagging
- (D) Caulking material
- (E) Band
- (F) Waterproofing layer
- (G) Sleeve with edge
- (H) Lagging material
- (I) Mortar or other incombustible caulking
- (J) Incombustible heat insulation material

When filling a gap with mortar, cover the penetration part with steel plate so that the insulation material will not be caved in. For this part, use incombustible materials for both insulation and covering. (Vinyl covering should not be used.)

ELECTRICAL WIRING

CAUTION

- Follow ordinance of your governmental organization for technical standard related to electrical equipment, wiring regulations and guidance of each electric power company.

WARNING

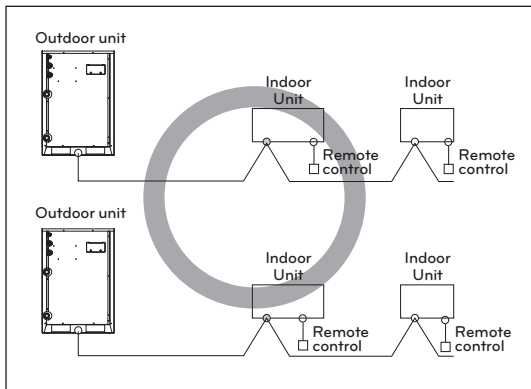
Be sure to have authorized electrical engineers do the electric work using special circuits in accordance with regulations and this installation manual.
If power supply circuit has a lack of capacity or electric work deficiency, it may cause an electric shock or fire.

- Install the Outdoor Unit communication cable away from the power source wiring so that it is not affected by electric noise from the power source. (Do not run it through the same conduit.)
- Be sure to provide designated grounding work to Outdoor Unit.

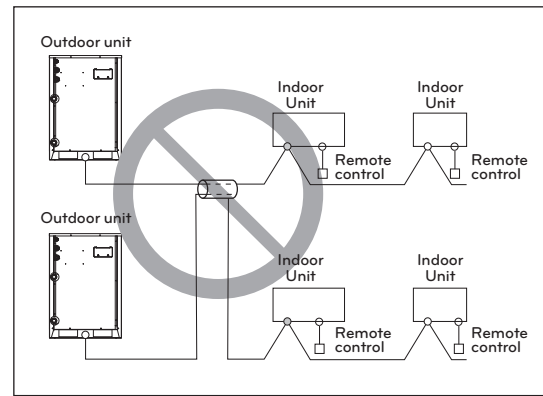
CAUTION

Be sure to correct the outdoor unit to earth. Do not connect ground wire to any gas pipe, liquid pipe, lightning rod or telephone earth line. If earth is incomplete, it may cause an electric shock.

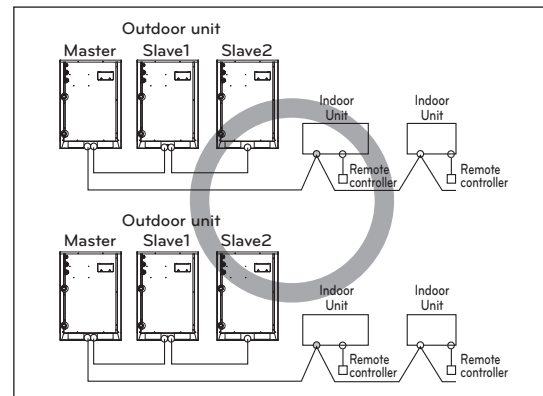
- Give some allowance to wiring for electrical part box of Indoor and Outdoor Units, because the box is sometimes removed at the time of service work.
- Never connect the main power source to terminal block of communication cable. If connected, electrical parts will be burnt out.
- Use 2-core shield cable for communication cable. (○ mark in the figure below) If communication cable of different systems are wired with the same multiplecore cable, the resultant poor transmitting and receiving will cause erroneous operations. (⊗ mark in the figure below)
- Only the communication cable specified should be connected to the terminal block for Outdoor Unit communication.



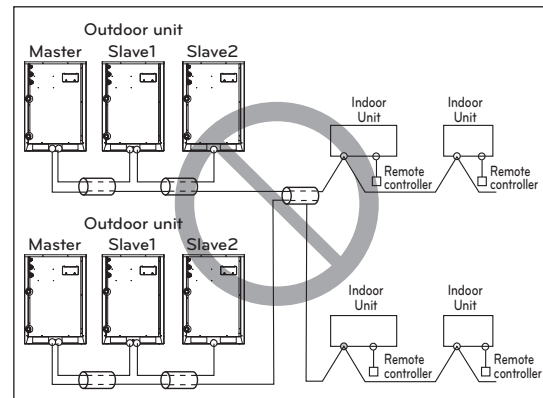
2-Core Shield Cable



Multi-Core Cable



2-Core Shield Cable



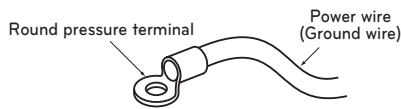
Multi-Core Cable

CAUTION

- Use the 2-core shield cables for communication cables. Never use them together with power cables.
- The conductive shielding layer of cable should be grounded to the metal part of both units.
- Never use multi-core cable
- As this unit is equipped with an inverter, to install a phase leading capacitor not only will deteriorate power factor improvement effect, but also may cause capacitor abnormal heating. Therefore, never install a phase leading capacitor.
- Make sure that the power unbalance ratio is not greater than 2%. If it is greater the units lifespan will be reduced.

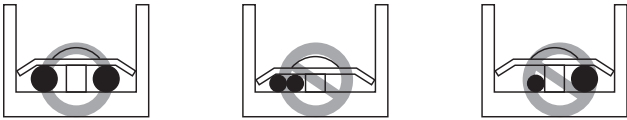
Precautions when laying power and ground wiring

Use round pressure terminals for connections to the power terminal block. When laying ground wiring, you must use round pressure terminals.



When none are available, follow the instructions below.

- Do not connect wiring of different thicknesses to the power terminal block. (Slack in the power wiring may cause abnormal heat.)
- When connecting cable which is the same thickness, do as shown in the figure below.



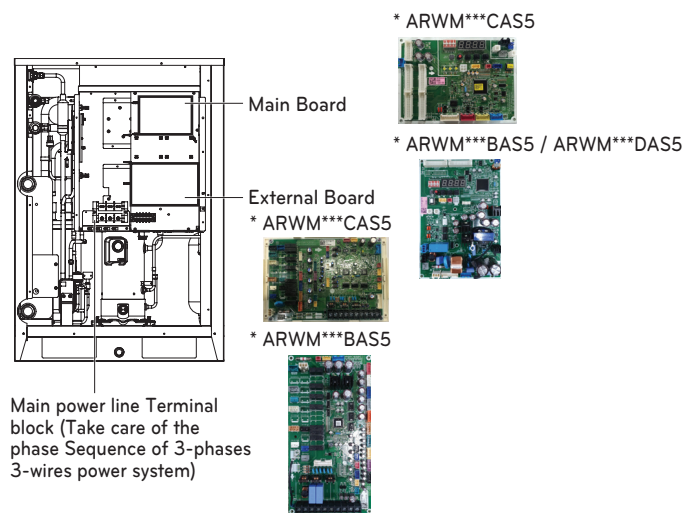
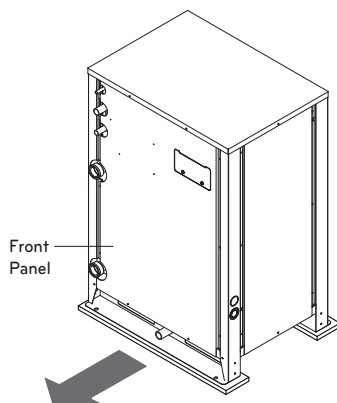
- For wiring, use the designated power cable and connect firmly, then secure to prevent outside pressure being exerted on the terminal block.
- Use an appropriate screwdriver for tightening the terminal screws. A screwdriver with a small head will strip the head and make proper tightening impossible.
- Over-tightening the terminal screws may break them.

CAUTION

When the 400 volt power supply is applied to "N" phase by mistake, check damaged parts in control box and replace them.

Control Box and Wiring Location

- Remove all of the screws at front panel and remove the panel by pulling it forward.
- Connect communication cable between main and sub outdoor unit through the terminal block.
- Connect communication cables between outdoor unit and indoor units through the terminal block.
- When the central control system is connected to the outdoor unit, a dedicated PCB must be connected between them.
- When connecting communication cable between outdoor unit and indoor units with shielded cable, connect the shield ground to the earth screw.



Communication and Power Cables

Communication cable

- Types : shielded wires or unshielded wires
- Cross section : 1.0 ~ 1.5 mm² (1.55 × 10⁻³ ~ 2.32 × 10⁻³ in²)
- Insulation material : PVC
- Maximum allowable temperature: 60 °C (140 °F)
- Maximum allowable cable length: under 500 m (1 640 ft)

Remote control cable

- Types : 3-core cable

Central control cable

Product type	Cable type	Diameter
ACP&AC Manager	2-core cable (Shielding cable)	1.0 ~ 1.5 mm ² (1.55 × 10 ⁻³ ~ 2.32 × 10 ⁻³ in ²)
AC Smart	2-core cable (Shielding cable)	1.0 ~ 1.5 mm ² (1.55 × 10 ⁻³ ~ 2.32 × 10 ⁻³ in ²)
Simple central controller	4-core cable (Shielding cable)	1.0 ~ 1.5 mm ² (1.55 × 10 ⁻³ ~ 2.32 × 10 ⁻³ in ²)

CAUTION

In case of using the shielded wires, it should be grounded.

Separation of communication and power cables

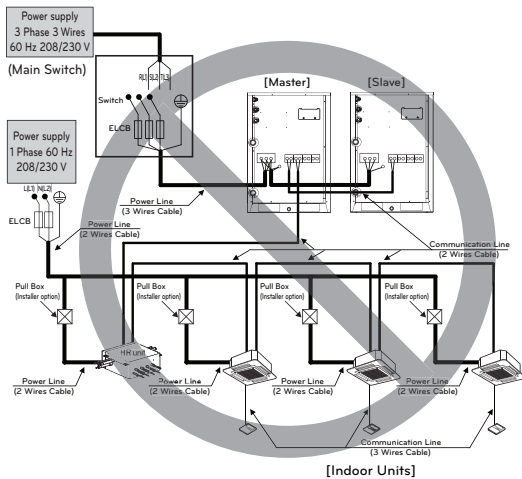
- If communication and power cables are run alongside each other then there is a strong likelihood of operational faults developing due to interference in the signal wiring caused by electrostatic and electromagnetic coupling.

The tables below indicates our recommendation as to appropriate spacing of communication and power cables where these are to be run side by side

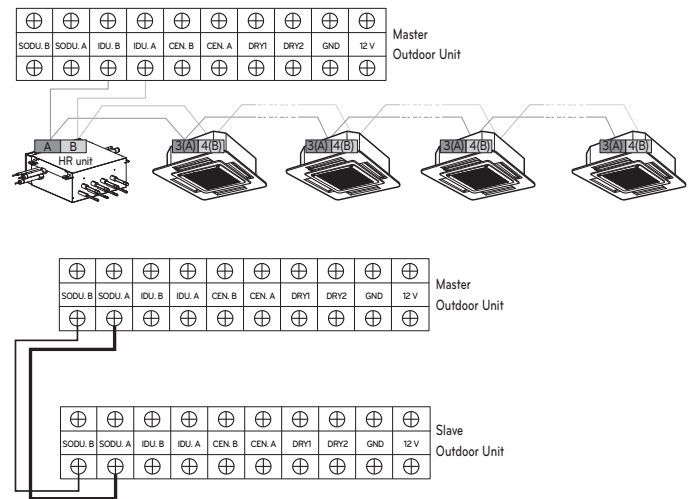
	Current capacity of power cable	Spacing
100 V or more	10 A	300 mm (11-13/16 inch)
	50 A	500 mm (19-11/16 inch)
	100 A	1 000 mm (39-3/8 inch)
	Exceed 100 A	1 500 mm (59-1/16 inch)

2 Outdoor Units-3Ø, 208/230 V

When the power source is connected In series between the units.

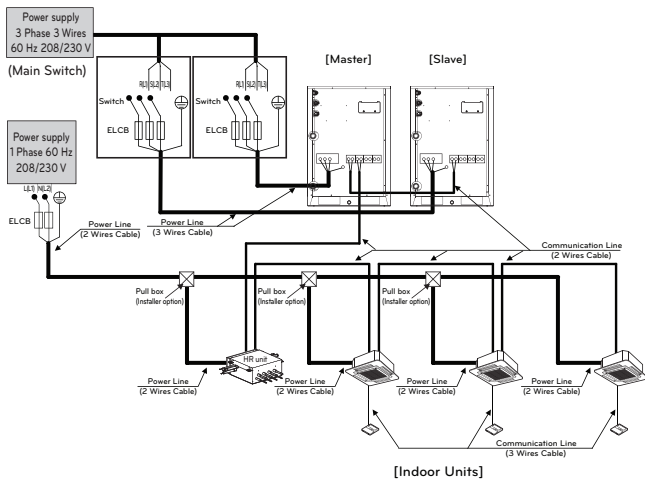


Between Indoor and Master Outdoor unit



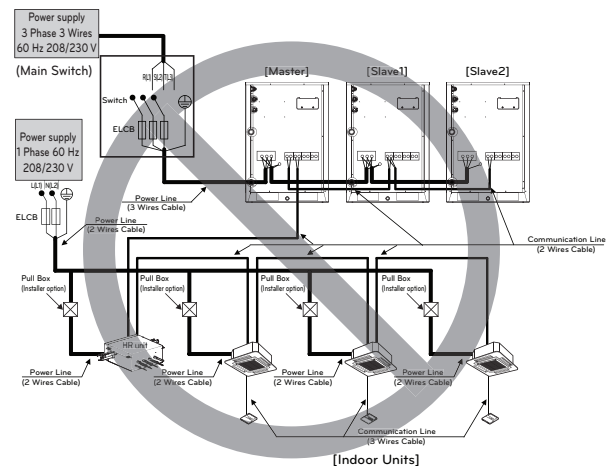
- It is not the point to make ground connection.
- Make sure that terminal number of master and slave outdoor units are matched. (A-A,B-B)

When the power source is supplied to Each outdoor unit individually.

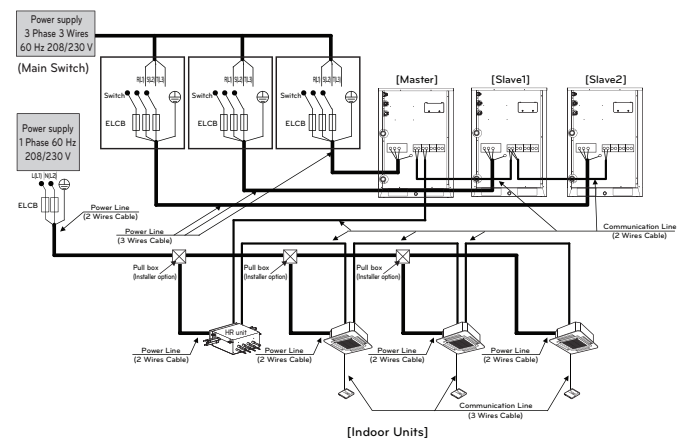


3 Outdoor Units-3Ø, 208/230 V

When the power source is connected In series between the units.



When the power source is supplied to Each outdoor unit individually.



NOTE

- Field Wiring diagram is to be used as a guideline only. Wiring should comply with applicable local and national codes
- ELCB must have function to prevent electrical short and over current at the same time.
- Use copper wires only.
- Unit must be grounded in compliance with the applicable local and national codes.
- ELCB and fuse/breaker must install to the power line

WARNING

- Indoor Unit ground Lines are required for preventing electrical shock accident during current leakage, Communication disorder by noise effect and motor current leakage (without connection to pipe).
- Don't install an individual switch or electrical outlet to disconnect each of indoor unit separately from the power supply.
- Install the main switch that can interrupt all the power sources in an integrated manner because this system consists of the equipment utilizing the multiple power sources.
- If there exists the possibility of reversed phase, lose phase, momentary blackout or the power goes on and off while the product is operating, attach a reversed phase protection circuit locally. Running the product in reversed phase may break the compressor and other parts.

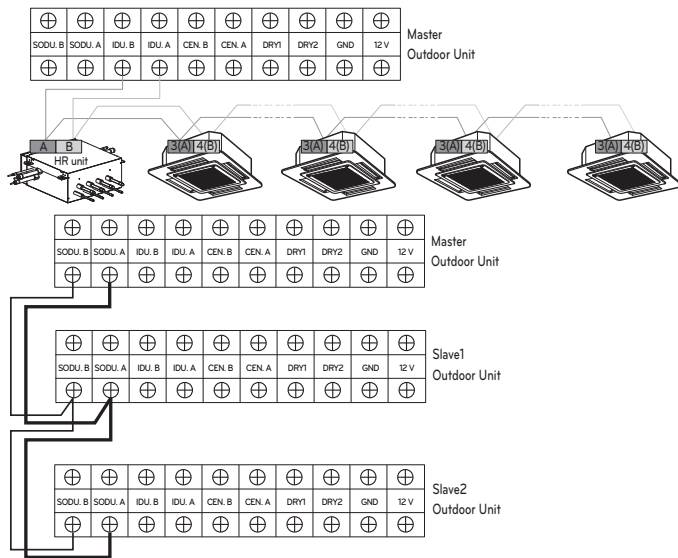
NOTE

- Field Wiring diagram is to be used as a guideline only. Wiring should comply with applicable local and national codes
- ELCB must have function to prevent electrical short and over current at the same time.
- Use copper wires only.
- Unit must be grounded in compliance with the applicable local and national codes.
- ELCB and fuse/breaker must install to the power line

WARNING

- Indoor Unit ground Lines are required for preventing electrical shock accident during current leakage, Communication disorder by noise effect and motor current leakage (without connection to pipe).
- Don't install an individual switch or electrical outlet to disconnect each of indoor unit separately from the power supply.
- Install the main switch that can interrupt all the power sources in an integrated manner because this system consists of the equipment utilizing the multiple power sources.
- If there exists the possibility of reversed phase, lose phase, momentary blackout or the power goes on and off while the product is operating, attach a reversed phase protection circuit locally. Running the product in reversed phase may break the compressor and other parts.

Between Indoor and Master Outdoor unit

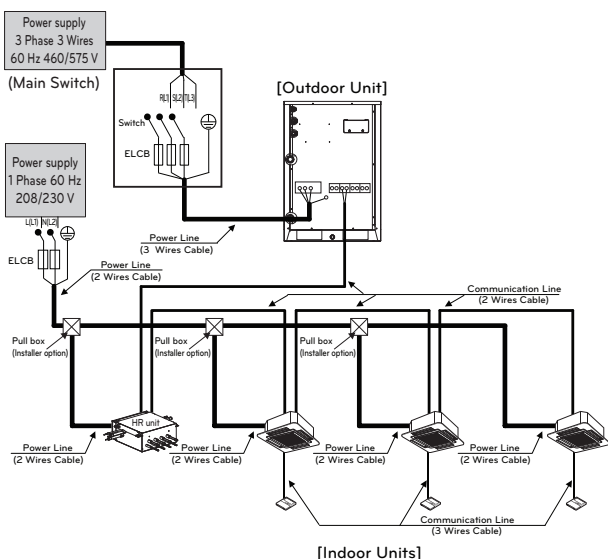


- It is not the point to make ground connection.
- Make sure that terminal number of master and slave outdoor units are matched. (A-A,B-B)

460 V / 575 V

Example Connection of Communication Cable

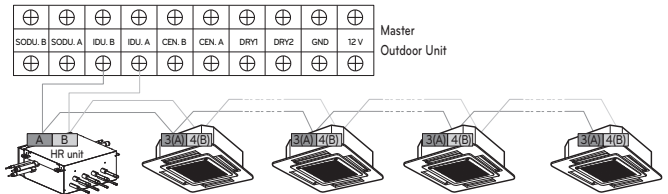
1 Outdoor Unit-3Ø, 460 V / 575 V



WARNING

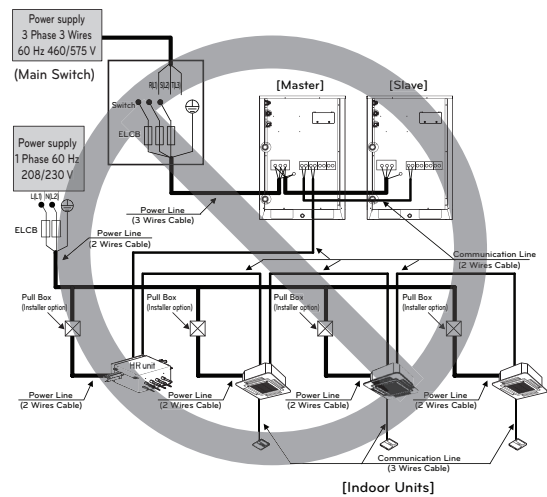
- Indoor Unit ground Lines are required for preventing electrical shock accident during current leakage, Communication disorder by noise effect and motor current leakage (without connection to pipe).
- Don't install an individual switch or electrical outlet to disconnect each of indoor unit separately from the power supply.
- Install the main switch that can interrupt all the power sources in an integrated manner because this system consists of the equipment utilizing the multiple power sources.
- If there exists the possibility of reversed phase, lose phase, momentary blackout or the power goes on and off while the product is operating, attach a reversed phase protection circuit locally. Running the product in reversed phase may break the compressor and other parts.

Between Indoor and Master Outdoor unit

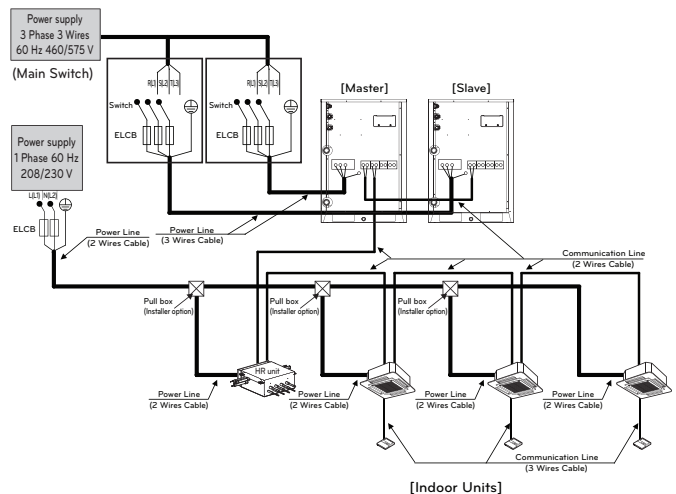


2 Outdoor Units-3Ø, 460 V / 575 V

When the power source is connected In series between the units.



When the power source is supplied to Each outdoor unit individually.



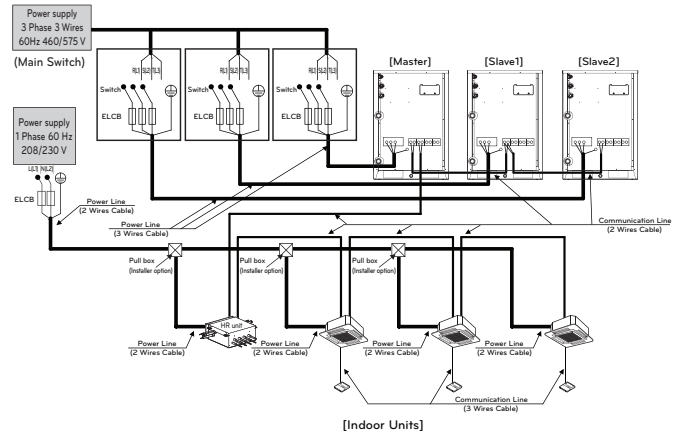
NOTE

- Field Wiring diagram is to be used as a guideline only. Wiring should comply with applicable local and national codes
- ELCB must have function to prevent electrical short and over current at the same time.
- Use copper wires only.
- Unit must be grounded in compliance with the applicable local and national codes.
- ELCB and fuse/breaker must install to the power line

WARNING

- Indoor Unit ground Lines are required for preventing electrical shock accident during current leakage, Communication disorder by noise effect and motor current leakage (without connection to pipe).
- Don't install an individual switch or electrical outlet to disconnect each of indoor unit separately from the power supply.
- Install the main switch that can interrupt all the power sources in an integrated manner because this system consists of the equipment utilizing the multiple power sources.
- If there exists the possibility of reversed phase, lose phase, momentary blackout or the power goes on and off while the product is operating, attach a reversed phase protection circuit locally. Running the product in reversed phase may break the compressor and other parts.

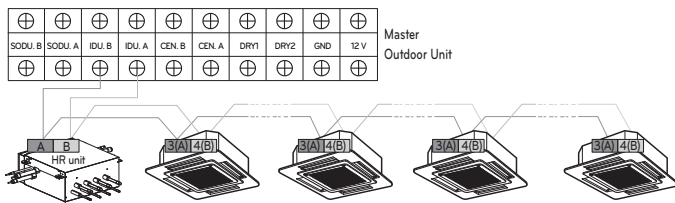
When the power source is supplied to Each outdoor unit individually.



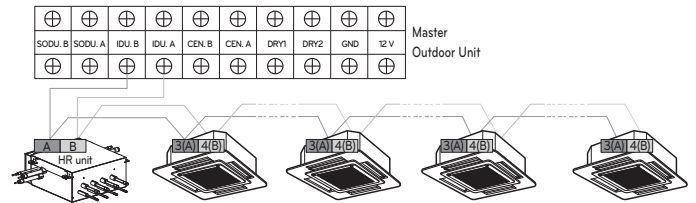
WARNING

- Indoor Unit ground Lines are required for preventing electrical shock accident during current leakage, Communication disorder by noise effect and motor current leakage (without connection to pipe).
- Don't install an individual switch or electrical outlet to disconnect each of indoor unit separately from the power supply.
- Install the main switch that can interrupt all the power sources in an integrated manner because this system consists of the equipment utilizing the multiple power sources.
- If there exists the possibility of reversed phase, lose phase, momentary blackout or the power goes on and off while the product is operating, attach a reversed phase protection circuit locally. Running the product in reversed phase may break the compressor and other parts.

Between Indoor and Master Outdoor unit



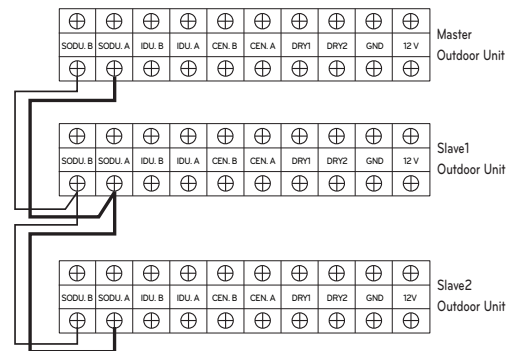
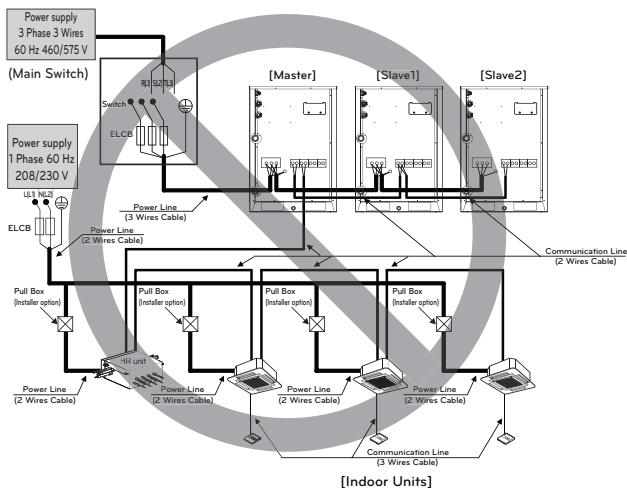
Between Indoor and Master Outdoor unit



- It is not the point to make ground connection.
 - Make sure that terminal number of master and slave outdoor units are matched. (A-A,B-B)

3 Outdoor Units-3Ø, 460 V / 575 V

When the power source is connected In series between the units.



- It is not the point to make ground connection.
 - Make sure that terminal number of master and slave outdoor units are matched. (A-A,B-B)

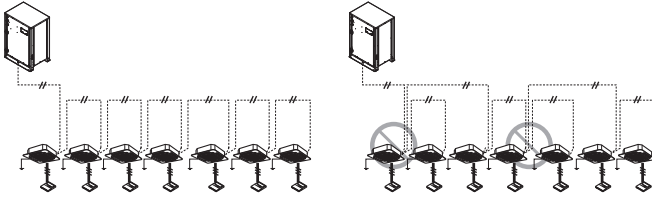
Example) Connection of Communication Cable

[BUS type]

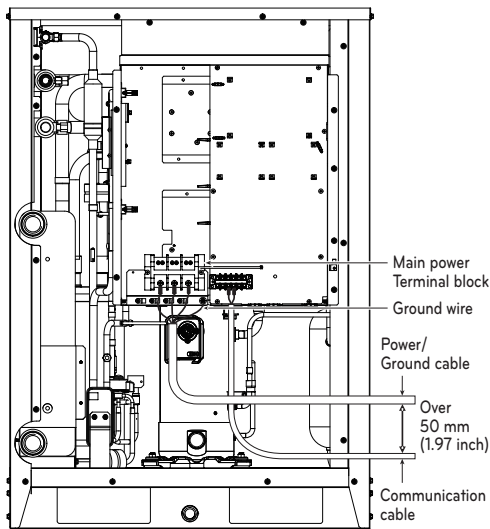
- Connection of communication cable must be installed like below figure between indoor unit to outdoor unit.

[STAR type]

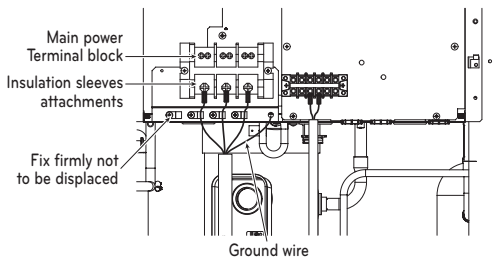
- Abnormal operation can be caused by communication defect, when connection of communication cable is installed like below figure (STAR type).



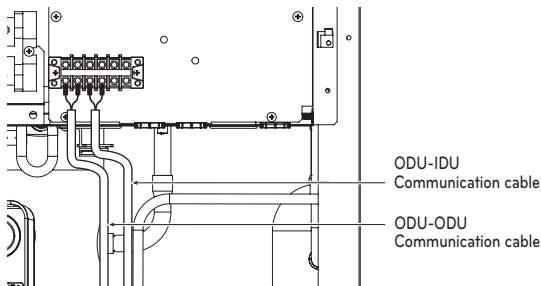
Example) Connection of power and communication cable (UWB)



Main Power Connection



Communication Connection



CAUTION

It should be wiring power cables or communication cables to avoid interference with the oil level sensor. Otherwise, That oil level sensor would be operated abnormally.

Checking the setting of outdoor units

Checking according to DIP switch setting

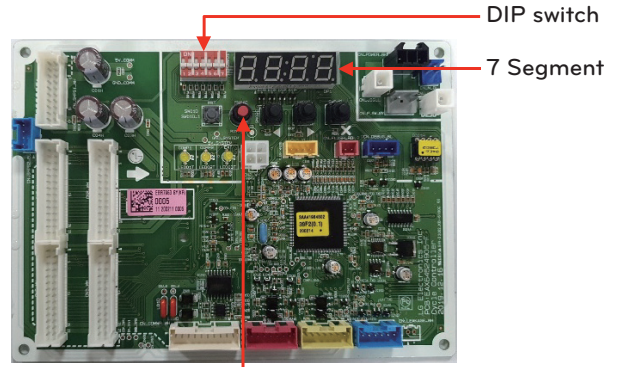
- You can check the setting values of the Master outdoor unit from the 7 segment LED.
The Dip switch setting should be changed when the power is OFF.

Checking the initial display

The number is sequentially appeared at the 7 segment in 5 seconds after applying the power. This number represents the setting condition.

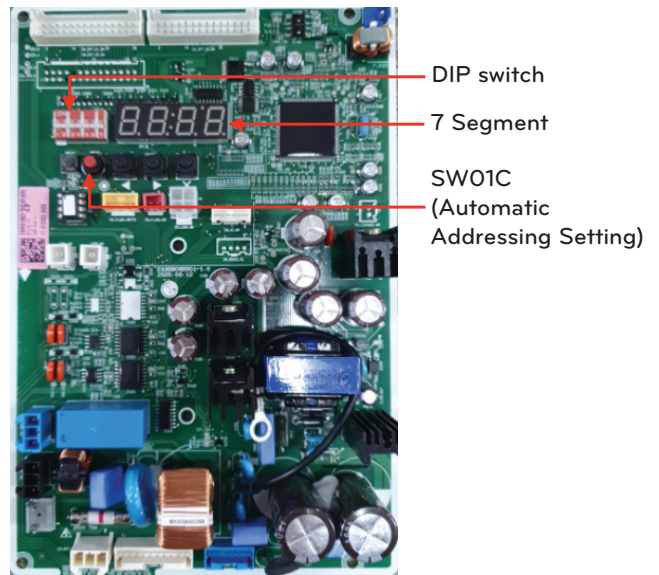
[Main Board]

ARWM***CAS5



SW01C
(Automatic Addressing Setting)

ARWM***BAS5 / ARWM***DAS5



• Communication speed setting

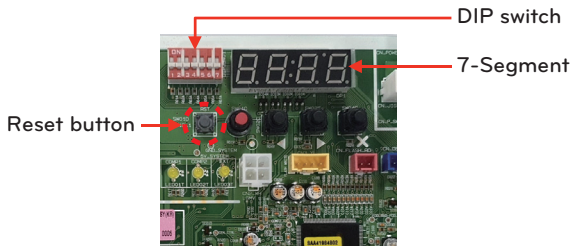
- Set the DIP switch 3 to "On" if all the indoor units are "ARN*****4".
- Set the DIP switch 3 to "Off" if not all the indoor units are "ARN*****4".

CAUTION

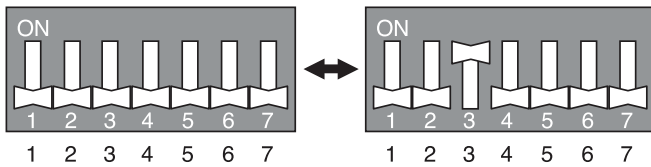
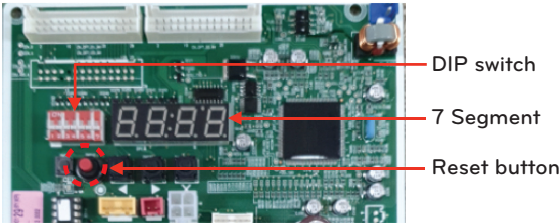
1. Set the DIP switch No. 3 "On" and if not all the indoor units are "ARN*****4" connected, normal communication is impossible, so DIP switch No. 3 must be set to "Off".
2. When changing DIP switch, all power should be off and auto addressing must be executed.

DIP switch No. 3	Off	On
Comm. Speed	1200 bps	9600 bps

ARWM***CAS5 / ARWM***BAS5



ARWM***BAS5 / ARWM***DAS5



• Initial display order

Order	No	Mean
①	8~20	Master model capacity(HP)
②	10~20	Slave 1 model capacity(HP)
③	10~20	Slave 2 model capacity(HP)
④	8~54	Total capacity(HP)
⑤	2	Heat Pump
	3	Heat Recovery (Factory Setting)
⑥	38	380 V model
	46	460 V model
	57	575 V model
	22	220 V model
⑦	1	Full function

• Example) ARWM480CAS5

①	②	③	④	⑤	⑥	⑦
20	14	14	48	3	57	1

• Master Unit

DIP switch setting	ODU Setting
	Heat Recovery System (Factory Setting)

• Slave Unit

DIP switch setting	ODU Setting
	Slave 1
	Slave 2

* Heat Pump installation

① Turn on the DIP s/w No 4.

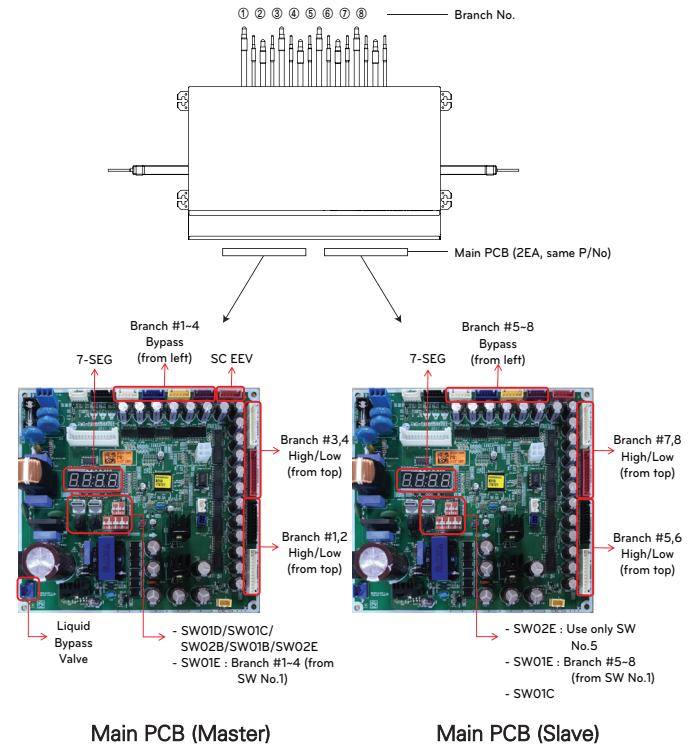
DIP switch setting	ODU Setting
	Setting Heat pump system or Heat Recovery system (Installer Setting)

- The factory setting display is appeared "HR".
- Change "HR" into "HP" display pushing ► button and then push confirm button.
- Turn off the DIP s/w No 4. and Push reset button to restart the system. (If you turn on the DIP s/w No 4, you can make sure "HR" or "HP" display later.)

Setting For Heat Recovery Unit (Refer Only Heat Recovery Installation)

[Heat Recovery (HR) Unit Board]

3 Series



* Number from left in sequence for less-than-8 branch model.

** PRHR043A / PRHR033A / PRHR023A : Master Only

Switch for setup of HR Unit

3 Series

	SW	Function
DIP SW	SW02E (8pin DIP SW)	Selection of the method for pipe detection Selection of Master/Slave Main PCB Setting the Zoning Control Selection of the No. of connected branches
	SW01E (4pin DIP SW)	Selection of the valve to address
Rotary SW	SW01D (Left)	Selection of the Valve Group Control
	SW01C (Right)	Manual addressing of zoning indoor units Setting to address HR units
Push SW	SW02B (Left)	Increase in the digit of 10
	SW01B (Right)	Increase in the digit of 1

Main function of SW02E

ON S/W	Selection	
No.1	Method for pipe detection of an HR Unit (Auto/Manual)	
No.2	No. of connected branches	
No.3		
No.4		
No.5	Master/Slave (Main PCB) Setting	
No.6	EEPROM factory initialization (4,5,6)	
No.7	Use only in factory production (preset to "OFF")	Zoning setting ("ON")
No.8	Use only in factory production (preset to "OFF")	

3 Selection of the model of HR unit

3 Series

	PRHR023A	PRHR033A	PRHR043A
1 branch Connected			
2 branch Connected			
3 branch Connected			
4 branch Connected			
5 branch Connected			
6 branch Connected			
7 branch Connected			
8 branch Connected			

	PRHR063A	PRHR083A
1 branch Connected		
2 branch Connected		
3 branch Connected		
4 branch Connected		
5 branch Connected		
6 branch Connected		
7 branch Connected		
8 branch Connected		

WARNING

If you want to use a "Model" for "No. of using branch(es)" HR Unit after closing the "Closing pipe No.", set the DIP switch for "No. of using branch(es)" HR Unit.

Ex) If you want to use a PRHR083A for 4 branches HR Unit after closing the 5~8th pipes, set the DIP switch for 4 branches HR Unit.

4 Setting the Valve Group.

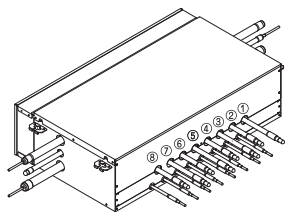
3 Series

Main function of SW01D

- Selection of the Valve Group Control

NOTE

Use the Valve Group Control when 2 branches are connected with only 1 indoor unit which has higher capacity than 61 kBtu.

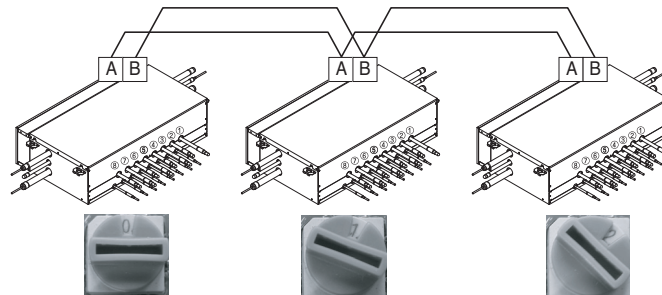


SW01C (Rotary S/W for addressing HR unit)

Must be set to '0' when installing only one HR unit.
When installing multiple HR units, address the HR units with sequentially increasing numbers starting from '0'.
Maximum 16 HR Units can be installed.

Ex) Installation of 3 HR units

* Master Only



* Master Only

Valve Group	SW01D Setting	Valve Group	SW01D Setting
Not control	0	No. 5,6,7,8 Valve Control	8
No. 1,2 Valve Control	1	No. 1,2/5,6 Valve Control	9
No. 2,3 Valve Control	2	No. 1,2/7,8 Valve Control	A
No. 3,4 Valve Control	3	No. 3,4/5,6 Valve Control	B
No. 5,6 Valve Control	4	No. 3,4/7,8 Valve Control	C
No. 6,7 Valve Control	5	No. 1,2/3,4/5,6 Valve Control	D
No. 7,8 Valve Control	6	No. 1,2/3,4/6,7 Valve Control	E
No. 1,2/3,4 Valve Control	7	No. 1,2/3,4/7,8 Valve Control	F

SW01B/SW01C/SW01E/SW02B (DIP S/W and push S/W for Manual pipe detection)

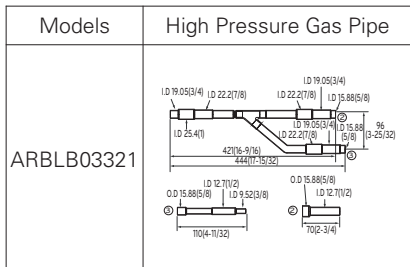
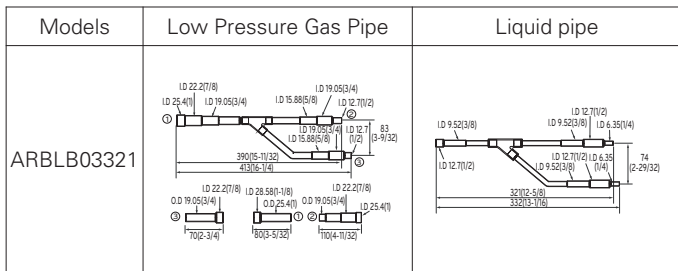
- Set the address of the valve of the HR unit to the central control address of the connected indoor unit.
- SW01E: selection of the valve to address
SW02B: increase in the digit of 10 of valve address
SW01B: increase in the last digit of valve address
SW01C: Manual addressing of zoning indoor units (use for Zoning setting)
- Prerequisite for Manual pipe detection : central control address of each indoor unit must be preset differently at its wired remote control.

NOTE

If the large capacity indoor units are installed, below Y branch pipe should be used.

* Y branch pipe

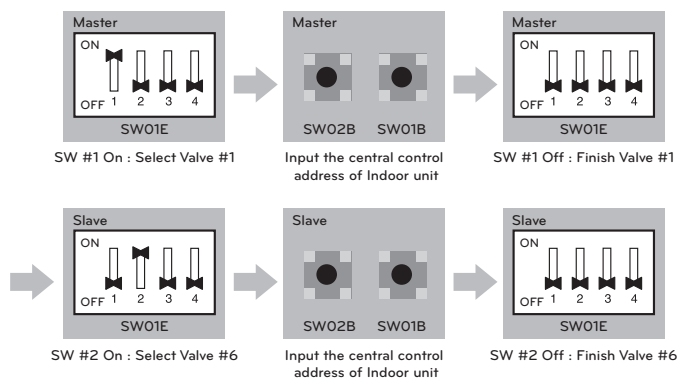
[Unit : mm(inch)]



	S/W No.	Setup
	No.1	Manual addressing of valve #1 (Master) / #5 (Slave)
	No.2	Manual addressing of valve #2 (Master) / #6 (Slave)
	No.3	Manual addressing of valve #3 (Master) / #7 (Slave)
	No.4	Manual addressing of valve #4 (Master) / #8 (Slave)
	SW02B	Increase in the digit of 10 of valve address
	SW01B	Increase in the last digit of valve address
	SW01C	Manual addressing of zoning indoor units
* Use for Zoning setting		

1 Normal setting (Non-Zoning setting)

ex) Manual pipe detection of Valve #1, 6.

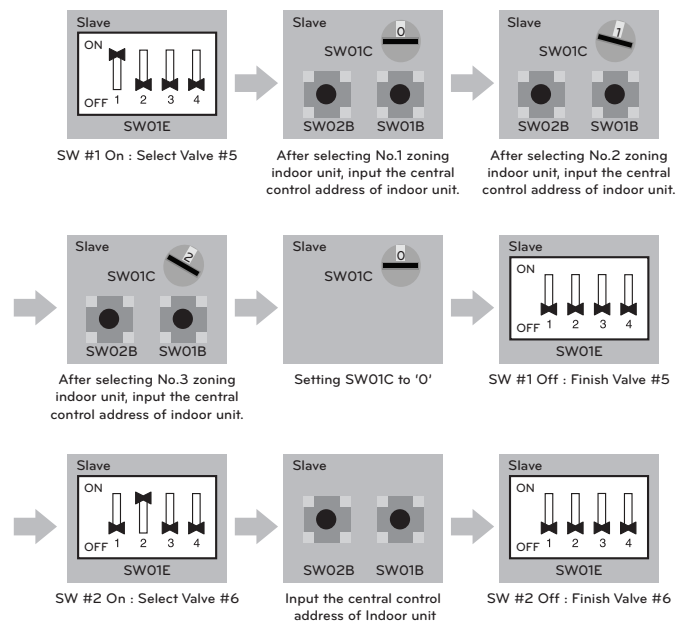


2 Zoning setting

NOTE

Use the Zoning Control when install two or more indoor units at 1 branch of HR Unit. The indoor units controlled by Zoning Control can be selected collectively as the cooling / heating mode.

ex) Manual pipe detection of Valve #5 with three zoning indoor units, #6 without zoning unit.



Automatic Addressing

The address of indoor units would be set by Automatic Addressing

- Wait for 3 minutes after supplying power. (Master and Slave outdoor units, indoor units)
- Press RED button of the outdoor units for 5 seconds. (SW01C)
- A "88" is indicated on 7-segment LED of the outdoor unit PCB.
- For completing addressing, 2~7 minutes are required depending on numbers of connected indoor units
- Numbers of connected indoor units whose addressing is completed are indicated for 30 seconds on 7-segment LED of the outdoor unit PCB
- After completing addressing, address of each indoor unit is indicated on the wired remote control display window. (CH01, CH02, CH03,, CH06 : Indicated as numbers of connected indoor units)

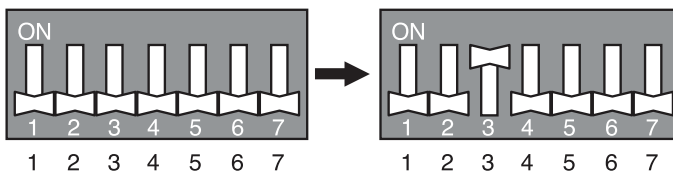
• Communication speed setting

- The factory setting of DIP switch 3 differs depending on production date.
- Set the DIP switch 3 to "On" if all the indoor units are "ARN*****4".
- Set the DIP switch 3 to "Off" if not all the indoor units are "ARN*****4".

CAUTION

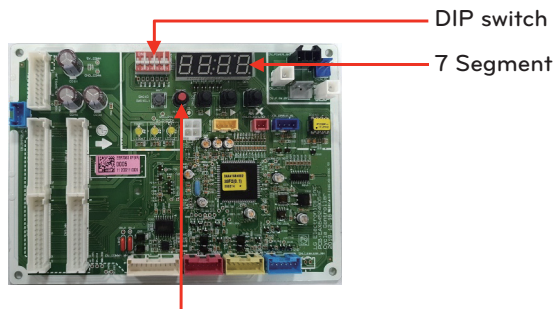
1. Set the DIP switch No. 3 "On" and if not all the indoor units are "ARN*****4" connected, normal communication is impossible, so DIP switch No. 3 must be set to "Off".
2. When changing DIP switch, all power should be off and auto addressing must be executed.

DIP switch No. 3	Off	On
Comm. Speed	1200 bps	9600 bps



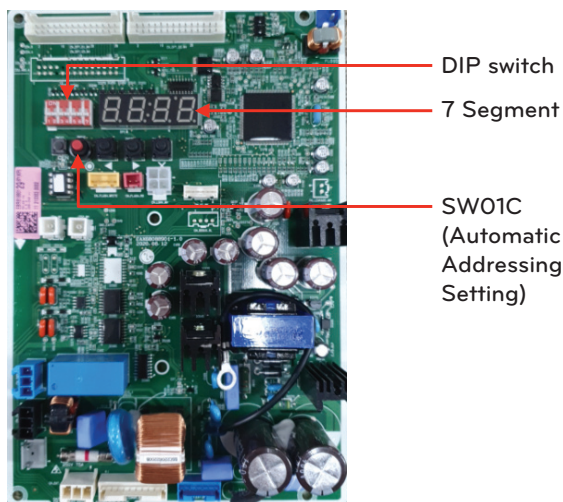
[Main Board]

ARWM***CAS5



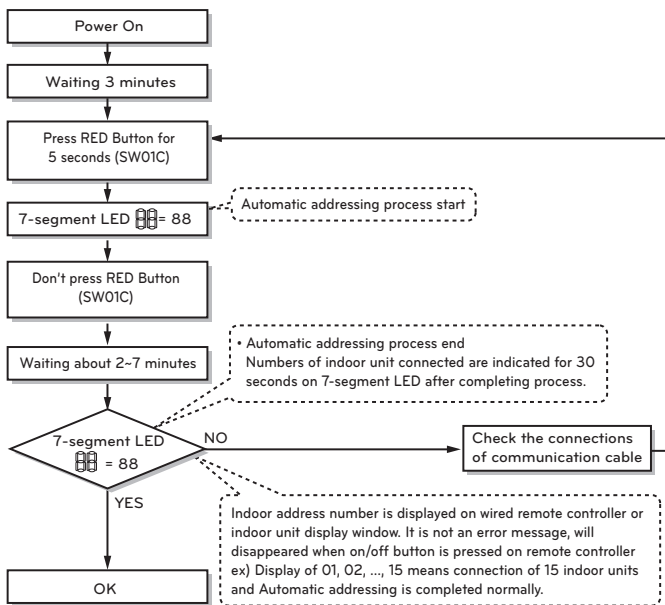
SW01C (Automatic Addressing Setting)

ARWM***BAS5 / ARWM***DAS5



SW01C (Automatic Addressing Setting)

The Procedure of Automatic Addressing



CAUTION

- In replacement of the indoor unit PCB, always perform Automatic addressing setting again (At that time, please check about using Independent power module to any indoor unit.)
- If power supply is not applied to the indoor unit, operation error occur.
- Automatic Addressing has to be performed after more than 3 minutes to improve indoor unit communication when initial power is supplied.

Setting For Heat Recovery Unit (Refer Only Heat Recovery Installation)

Automatic pipe detection

- 1 Turn No.1 of DIP s/w SW02M of HR unit PCB off.
 - 2 Confirm that the setting of No.2, 3 of SW02M corresponds with the type of the valve connection.
 - 3 Reset the power of HR unit PCB
 - 4 Master Out door unit PCB DIP switch on : No.5
 - 5 Select the mode using '▶', '◀' Button : "Idu" Push the '●' button
 - 6 Select the "Id 5" function using '▶', '◀' Button : "Atc" or "Ath" Push the '●' button.
Outdoor temperature is over 15 °C(59 °F) : "Ath" Using (If it fail, use "Atc")
Outdoor temperature is below 15 °C(59 °F) : "Atc" Using (If it fail, use "Ath")
 - 7 Select the mode using '▶', '◀' Button : "Idu" Push the '●' button
 - 8 Select the "Id 6" function using '▶', '◀' Button : "StA" Push the '●' button
 - 9 System is operated after "88" is displayed on 7 segment of the outdoor unit main PCB.
 - 10 Pipe detection process is proceeded.
 - 11 5~30 minutes are required depending on the number of the indoor units and outdoor temperature.
 - 12 The number of the indoor units connected is displayed on 7 segment of the outdoor unit main PCB for about 1 minute
 - For a HR unit, the number of the indoor units connected to each HR unit is displayed.
 - '200' is displayed in case of auto pipe detecting error, and Auto pipe detection process is completed after '88' is disappeared.
- * Auto pipe detection function : the function that sets connection relationship automatically between the indoor unit and HR unit.

WARNING

- Execute auto addressing and auto pipe detection again whenever the indoor PCB and HR unit PCB is replaced.
 - Operation error occurs unless power is supplied to the indoor and HR units.
- Error No.200 occurs if the number of connected indoor units and that of scanned indoor units are different.
- If auto pipe detection process fails, complete it with manual pipe detection (see Manual pipe detection part).
- If auto pipe detection process is completed normally, manual pipe detection is not required.
- If you want to do auto pipe detection again after auto pipe detection fails, do after reset of outdoor unit by all means.
- During 5 minutes after pipe detection is completed, do not turn off the main unit PCB to save the result of pipe detection automatically.

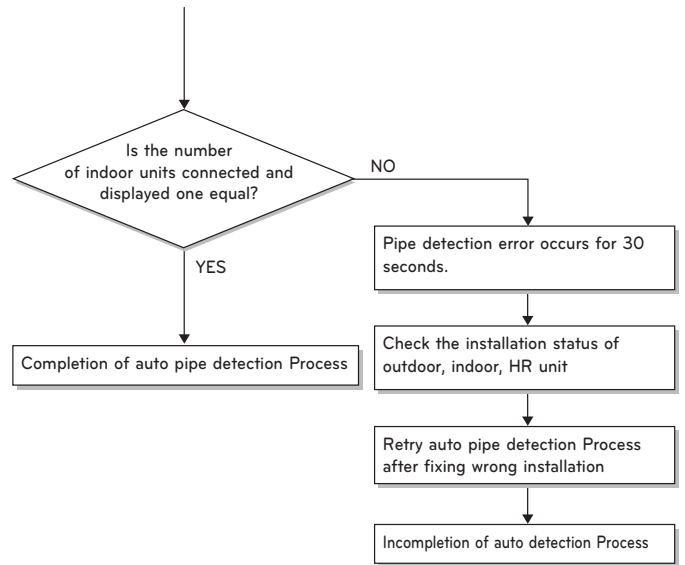
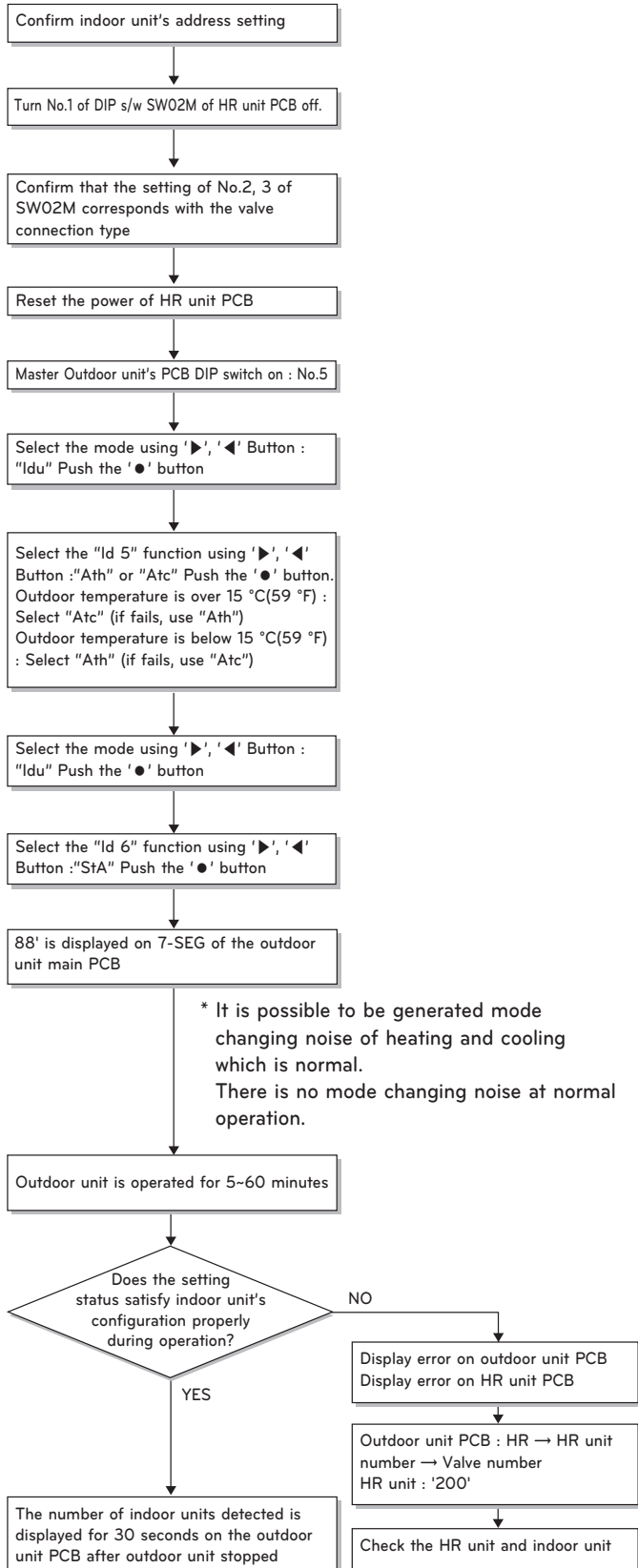
Manual pipe detection

- 1 Enter the central control address into each indoor unit using its wired remote controller.
- 2 Turn No.1 of DIP s/w SW02M of HR unit PCB on.
- 3 Reset the power of HR unit PCB.
- 4 On the HR unit PCB, manually set address of each valve of the HR unit to the central control address of the indoor unit connected to the valve.
- 5 Reset the power of outdoor unit PCB.
- 6 The number of the indoor unit installed is displayed after about 5 minutes.
Ex) HR → The number of the indoor
- 7 Reset the power of outdoor unit PCB, HR unit.
- 8 Manual pipe detection is completed

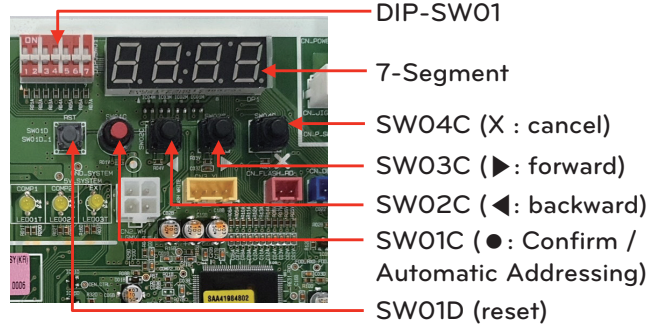
WARNING

- In case that central controller is not installed, firstly set up central controller's setting to make address setting of indoor units.
- In case that central controller is installed, please set central control address in wired remote control of indoor unit.
- Do not set central control address of indoor unit to '0xFF'. (If the address is '0xFF', pipe detection will not be completed properly.)
- HR units's manual pipe address is set by the central control address of indoor units.
- Address of valve which is not connected with indoor unit should be set differently with the address of a valve which is indoor unit connected. (If address is overlapped, valve will not work properly)
- If there occurs some error during pipe detection process, it means pipe detection process is not properly finished.
- If an error occurred, it means that manual pipe setting is not completed.
- During 5 minutes after pipe detection process is completed, do not turn off the main outdoor unit's PCB to save the result of pipe detection automatically.

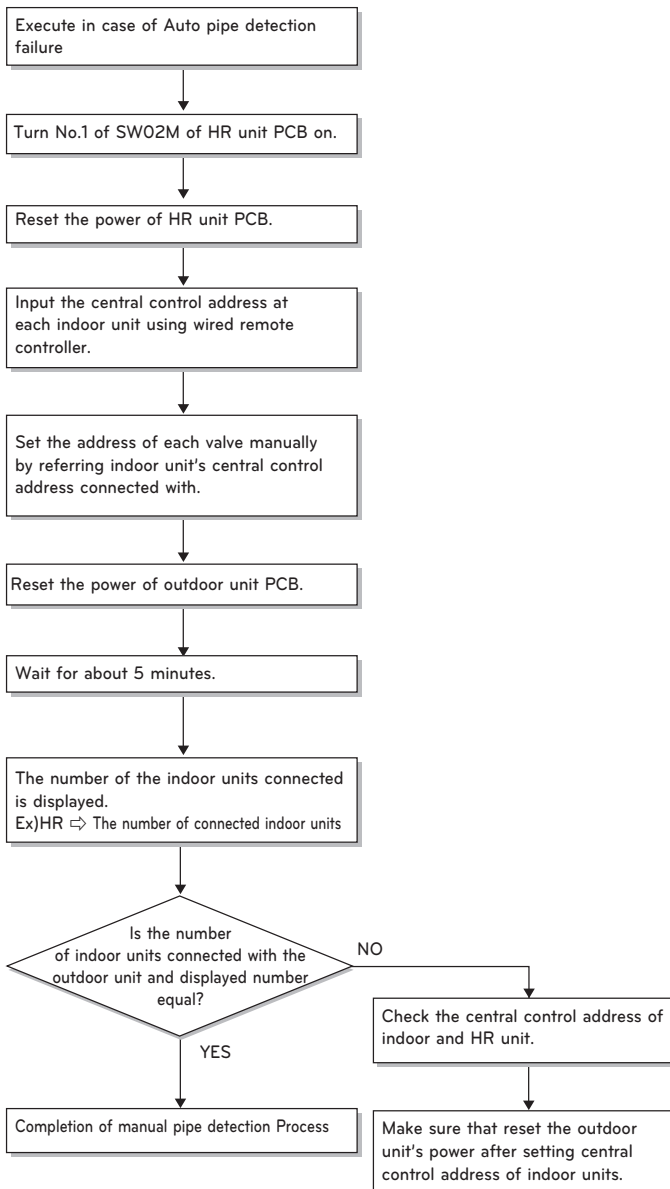
Flow chart of auto pipe detection Process



ARWM***CAS5/ARWM***BAS5 / ARWM***DAS5



Flow chart of manual addressing for pipe detection



Example of manual valve addressing (Non-Zoning setting)

(In case that an indoor unit of central control address "11" is connected to a valve #1 of an HR unit)

- Prerequisite for manual valve addressing: central control address of each indoor unit must be preset differently at its wired remote control.

No.	Display and setup	Setup and Contents
1		- Operation: None - Display: None
2		- Operation: Turn DIP S/W No.1 on to address valve #1 - Display: Existing value saved in EEPROM is displayed in 7-SEG.
3		- Operation: Set the digit of 10 to the number in Group High data of the wired remote control connected to the corresponding indoor unit to the valve #1 by pressing left tack S/W. - Display: Digit increasing with the times of pressing tack S/W is displayed in left 7-SEG
4		- Operation: Set the digit of 1 to the number in Group Low data of the wired remote control connected to the corresponding indoor unit to the valve #1 by pressing right tack S/W. - Display: Digit increasing with the times of pressing tack S/W is displayed in right 7-SEG
5		- Operation: Turn DIP S/W No.1 off to save the address of valve #1 - Display: "11" displayed in 7-SEG disappears

- Above setup must be done for all HR unit valves.

- The valve that is not connected with any indoor unit should be addressed with any other number than used address numbers of the valves connected with indoor units.
(The valves does not work if the address numbers are same.)

Example of manual valve addressing (Zoning setting)

(In case that an indoor unit of central control address "11" is connected to a valve #1 of an HR unit)

Zoning control is connecting 2 or more indoor units at one pipe of HR unit. In case of Zoning control, in order to set controls with multiple indoor units connection uses the rotary switch. Namely, only the rotary switch changes from same valve set condition and set indoor units connection.

- 1 On DIP switch of the corresponding valves and sets the rotary switch at 0.
- 2 Setting the number with tact switch.
- 3 In case of addition of indoor units to same port, increases 1 with the rotary switch and sets number with tact switch.
- 4 In case of checking the number which the corresponding valve is stored, turn on DIP switch and set the number of rotary switch.
- 5 Indoor units set available 7 per a port(rotary switch 0~6), in case of setting above of 7 with rotary switch, it will display error.
- 6 Setting the rotary switch on original condition(HR unit number set conditions) after all finishing a piping setting.
- 7 The rotary switch set value of above number of indoor units which is connected with FF and prevents a malfunction.
(Example: The case where 3 indoor units is connected in piping 1, sets from rotary switch 0,1,2 and 3,4,5 with FF set)
- Prerequisite for manual valve addressing: central control address of each indoor unit must be preset differently at its wired remote control.

No.	Display and setup	Setup and Contents
1		- Operation: None - Display: None
2		- Operation : Turn DIP S/W No.1 on to address valve #1 - Display : Existing value saved in EEPROM is displayed in 7-SEG.
3		- Operation : Set the digit of 10(1) to the number in Group High data of the wired remote control connected to the corresponding indoor unit to the valve #1 by pressing left tact S/W. - Display : Digit increasing with the times of pressing tact S/W is displayed in left 7-SEG.
4		- Operation : SW05M : 1 - Display : Display former value.
5		- Operation : Setting No. using SW03M and SW04M, SW05M : 1 - Display : Display setting value.
6		- Operation : Turn DIP S/W No.1 off to save the address of valve #1 - Display : "11" displayed in 7-SEG disappears.
7		- Operation : Return valve of addressing HR unit. - Display : None

- Above setup must be done for all HR unit valves.
- The valve that is not connected with any indoor unit should be addressed with any other number than used address numbers of the valves connected with indoor units.
(The valves does not work if the address numbers are same.)

Example of checking valve address

(In case that an indoor unit of central control address "11" is connected to a valve #1 of an HR unit)

No.	Display and setup	Setup and Contents
1		- Operation: Turn DIP S/W No.1 on. - Display: "11" is displayed in 7-SEG
2		- Operation : Turn DIP S/W No.1 off. - 7-SEG disappeared

Identification of Manual Valve ID (Address)

No.	Display and setup	Setup and Contents
1		- Operation: more than 2 DIP switches turned on. - Display: "Er" is displayed in 7-SEG

Setting method of Master indoor unit in zoning

1. Master unit PCB DIP switch on: No.5
2. Select the mode using '▶', '◀' Button: "idu" Push the '●' button
3. Select the "id 7" function using '▶', '◀' Push the '●' button
4. select HR unit number and Pipe number as you want to change
- 7-Segment Display "[x] [y] [_] [_]"
[]: Blank, [x]: HR unit number, [y]: Pipe number
- Change the HR unit number and Pipe number using '▶', '◀' Push the '●' button as you want to set
5. Select IDU number as you want
- 7-Segment Display "[_] [_] [x] [y]"
[]: Blank, [x]: Indoor unit 10-digit number, [y]: Indoor unit 1-digit number
- Set the master IDU number using '▶', '◀' Push the '●' button as you want to set

CAUTION

- Waiting for 80seconds after power on.
- The zoning information and Master IDU information remove from EEPROM after Auto-addressing.
- If there is installed the central control, it is impossible setting of Master IDU in zoning.

DIP switch setting

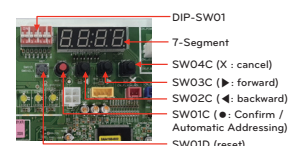
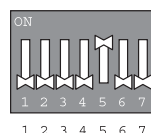
Setting the function

Select the mode/function/option/value using '▶', '◀' Button and confirm that using the '●' button after DIP switch No.5 is turned on.

CAUTION

It is only executed when all indoor units are off.

ARWM***CAS5/ARWM***BAS5 /
ARWM***DAS5



Mode	Function		Option			Value		Action		Remarks		
	Content	Display1	Content	Display2	Content	Display3	Content	Display4	Implement		Display5	
Installation	Func	Cool & Heat Selector	Fn 1	oFF	oP1~oP2	Selected the option	-	-	Change the set value	Blank	Saving in EEPROM	
		Outdoor unit address	Fn 5	-	-	-	0~254	Set the value				
		Airflow Adjusting for IDU (Heating capacity up)	Fn 7	on	oFF	Selected the option	-	-				
		Target pressure Adjusting	Fn 8	oFF	oP1~oP6	Selected the option	-	-				
		Compressor Max. Frequency Limit	Fn 12	oFF	oP1~oP9	Selected the option	-	-				
		Central Control Connection at Indoor Unit side	Fn 19	on	oFF	Selected the option	-	-				
		Compressor Input Current Limit mode	Fn 20	oFF	oP1~oP10	Selected the option	-	-				
		Geometrical mode setting	Fn 40	on	oFF	Selected the option	-	-				
		Sol. Valve 220 V output	Fn 41	on	oFF	Selected the option	-	-				
		Variable water flow control	Fn 42	on	oFF	Selected the option	-	-				

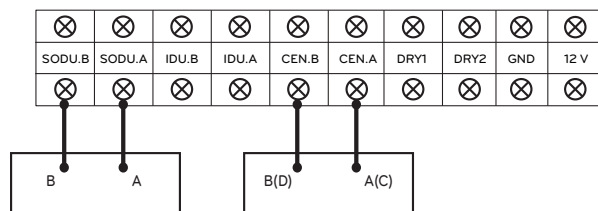
* Functions save in EEPROM will be kept continuously, though the system power was reset.
To cancel the function you need to set OFF.

Group Number setting

Group Number setting for Indoor Units

- Confirm the power of whole system(Indoor Unit, Outdoor Unit) is OFF, otherwise turn off.
- The communication cables connected to CEN.A and CEN.B terminal should be connected to central control of Outdoor Unit with care for their polarity (A-A, B-B).
- Turn the whole system on.
- Set the group and Indoor Unit number with a wired remote control.
- To control several sets of Indoor Units into a group, set the group ID from 0 to F for this purpose.

Outdoor Units (External PCB)



Example) Group number setting

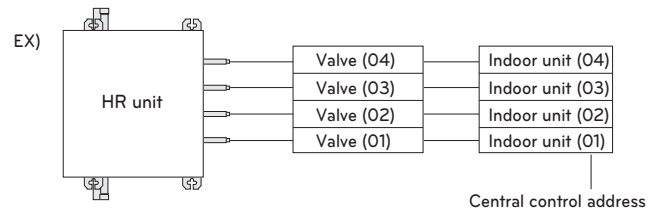
1 E
Group Indoor unit

1st number indicate the group number
2nd number point out indoor unit number

Group recognizing the central controller	
No.0 group (00~0F)	
No.1 group (10~1F)	
No.2 group (20~2F)	
No.3 group (30~3F)	
No.4 group (40~4F)	
No.5 group (50~5F)	
No.6 group (60~6F)	
No.7 group (70~7F)	
No.8 group (80~8F)	
No.9 group (90~9F)	
No. A group (A0~AF)	
No. B group (B0~BF)	
No. C group (C0~CF)	
No. D group (D0~DF)	
No. E group (E0~EF)	
No. F group (F0~FF)	

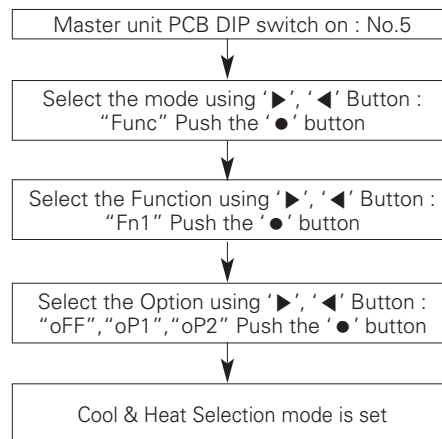
WARNING

- Valve address and central control address of its corresponding indoor unit should be set identical in manual addressing.



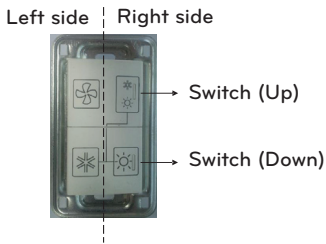
Cool & Heat selector (Fn 1)

Mode setting method



Function setting

Switch Control		Function		
Switch (Up)	Switch (Down)	oFF	op1(mode)	op2(mode)
Right side (On)	Left side (On)	Not operate	Cooling	Cooling
Right side (On)	Right side (On)	Not operate	Heating	Heating
Left side (Off)	-	Not operate	Fan mode	Off

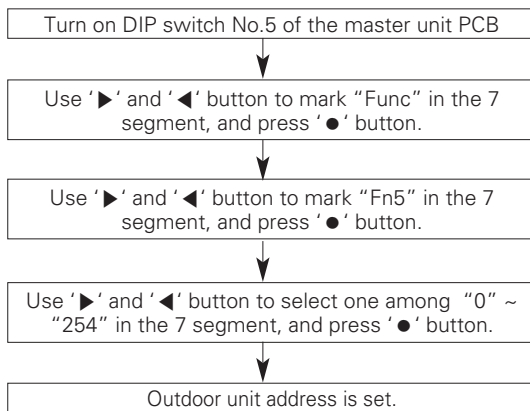


CAUTION

- Ask an authorized technician to setting a function.
- If do not use a function, set an off-mode.
- If use a function, first install a Cool & Heat selector.

Setting the outdoor unit address (Fn 5)

How to set the mode



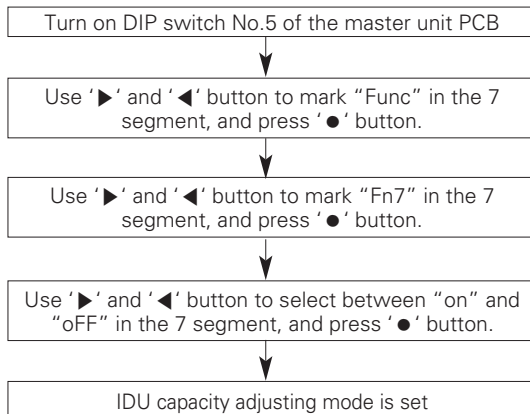
CAUTION

- Request the function settings to the installation specialist during the outdoor unit installation.
- If use a function, first install a Central controller.

IDU capacity adjusting (Fn 7)

If the operation of indoor unit is more than 130 %, the air flow is operated as low in the all indoor units.

How to set the mode



Mode setting

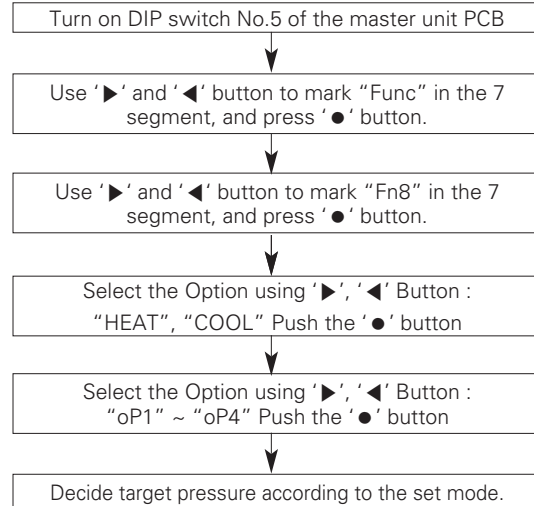
- on: Set to control the Low capacity mode
- oFF: Set not to control

CAUTION

- Ask an authorized technician to setting a function.

Target pressure adjusting (Fn 8)

How to set the mode



Setting

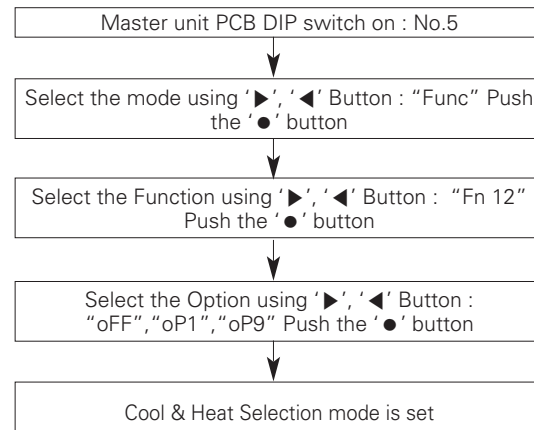
mode	Purpose		Condensing temperature variation	Evaporating temperature variation
	"Heat"	"Cool"		
oP1	Increase capacity	Increase capacity	-3 °C (26.6 °F)	+2 °C (35.6 °F)
oP2	Decrease power consumption	Increase capacity	-1.5 °C (29.3 °F)	-2 °C (28.4 °F)
oP3	Decrease power consumption	Decrease power consumption	+2.5 °C (36.5 °F)	-4 °C (24.8 °F)
oP4	Decrease power consumption	Decrease power consumption	+4.5 °C (40.1 °F)	-6 °C (21.2 °F)

CAUTION

- Ask an authorized technician to setting a function.
- If do not use a function, set an off-mode.
- Change a power consumption or capacity.

Compressor Max. Frequency Limit (Fn 12)

Mode setting method



Function setting

Setting	Frequency (Hz)
oFF	-
oP1	143 Hz
oP2	135 Hz
oP3	128 Hz
oP4	120 Hz
oP5	113 Hz
oP6	105 Hz
oP7	98 Hz
oP8	90 Hz
oP9	83 Hz

CAUTION

- Ask an authorized technician to setting a function.
- If use a function, first install a Central controller.

Compressor Input Current Limit

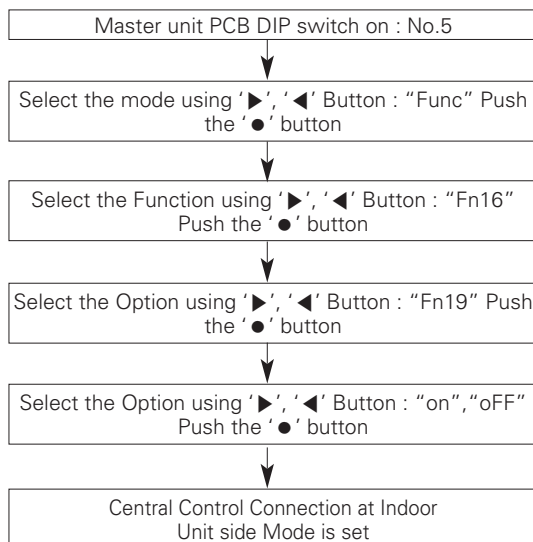
Mode	Compressor Input Current Limit
oFF	100 %
oP1	95 %
oP2	90 %
oP3	85 %
oP4	80 %
oP5	75 %
oP6	70 %
oP7	65 %
oP8	60 %
oP9	55 %
oP10	50 %

CAUTION

- Ask an authorized technician to setting a function.
- If do not use a function, set an off-mode.
- If use a function, capacity may go down.

Central Control Connection at Indoor Unit side (Fn 19)

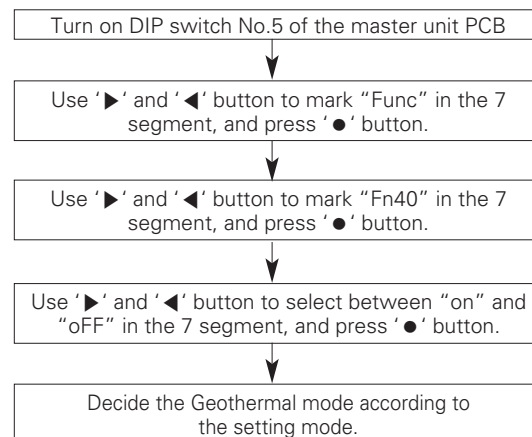
Mode setting method



Geothermal mode setting (Fn 40)

If you want to use the product with heat source water of the low temperature such as ground heat, it is the function that enables the use of ground heat mode.

How to set the mode



Mode setting

- on: Set to operate in geothermal mode
- oFF: Set to operate in general mode

Anti freeze type	Minimum temperature for anti freezing [°C(°F)]					
	0	-5 (23)	-10 (14)	-15 (5)	-20 (-4)	-25 (-13)
Ethylene glycol (%)	0	12	20	30	-	-
Propylene glycol (%)	0	17	25	33	-	-
Methanol (%)	0	6	12	16	24	30

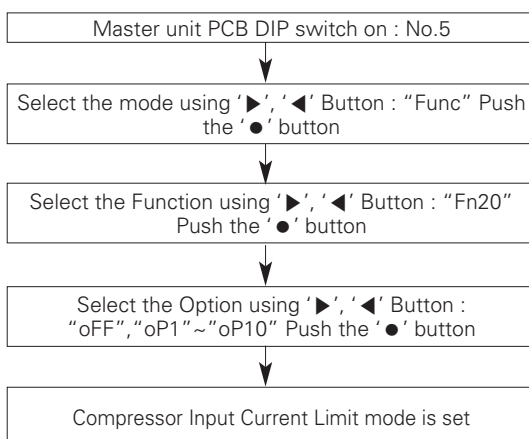
CAUTION

- Request the function settings to the installation specialist during the outdoor unit installation.
- When the function is not used, set it to OFF.
- Before changing the mode, make sure to check if the antifreeze is added to the heat source water with appropriate ratio. (If it is set to geothermal mode with inappropriate addition of antifreeze or without antifreeze, there is a risk of product damage, and we will not be responsible for such damage of the product.)
- When you add antifreeze, there may be increase of pressure difference in the heat source water system and product performance degradation.
- If it is in geothermal mode, add antifreeze according to the temperature condition of at least -10 °C (14 °F). (If the added amount is of -10 °C (14 °F) or more, it may cause freeze and burst of the heat source water.)

Compressor Input Current Limit Mode (Fn 20)

System Input Current Control

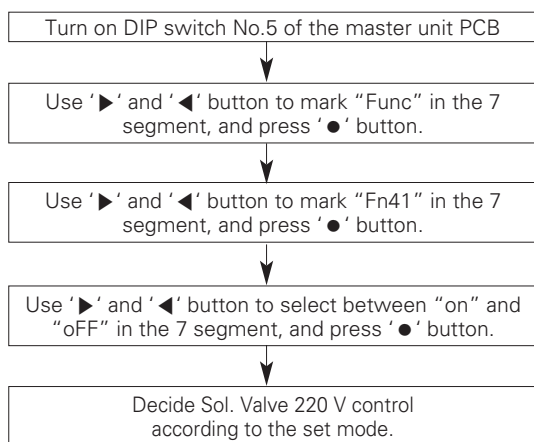
Mode setting method



Sol. Valve 220 V output (Fn 41)

It is the function to select 220 V output when you want solenoid valve control.

How to set the mode



Mode setting

- on: Set to control the heat source water pipe Solenoid Valve from the product.
- oFF: Set not to control the heat source water pipe Solenoid Valve from the product.

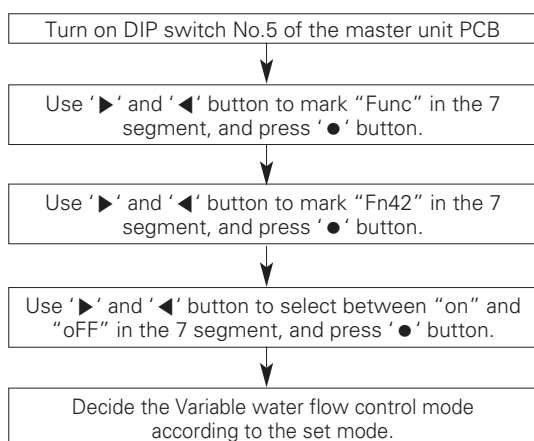
CAUTION

- Request the function settings to the installation specialist during the outdoor unit installation.
- When the function is not used, set it to OFF.

Variable water flow control (Fn 42)

It is the function to select when you want to install Variable water flow control kit and control it from the product.

How to set the mode



Mode setting

- on: Set to control the variable water flow control valve from the product
- oFF: Set not to control the variable water flow control valve from the product

CAUTION

- Request the function settings to the installation specialist during the outdoor unit installation.
- When the function is not used, set it to OFF.

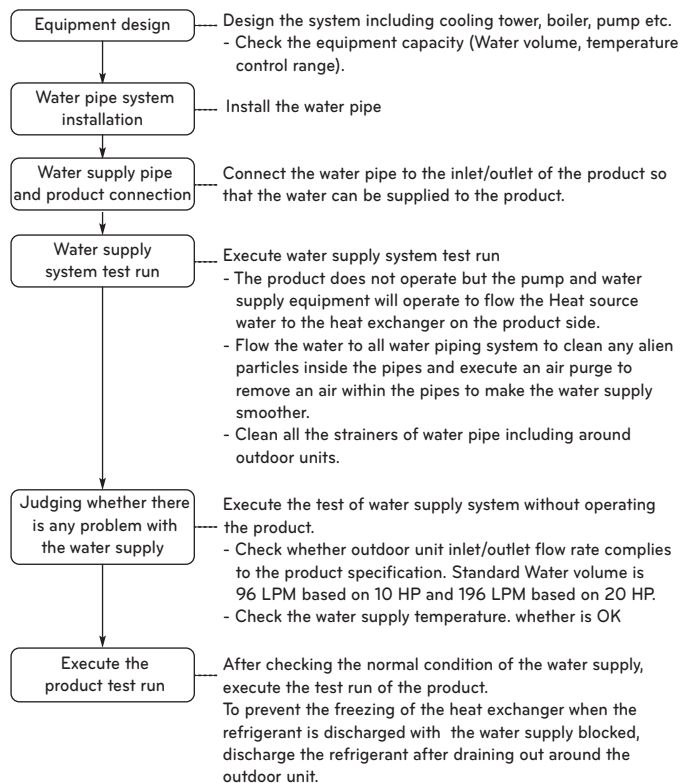
TEST RUN

Precaution before test run

1	Check whether the air is completely removed and the water supply is flowing smoothly.
2	Check whether there is any refrigerant leakage of any disconnected or loose communication or power wire, or use the electric wiring diagram to check the wiring connection condition. Check whether the power and communication wire are connected.
3	<p>Check whether the power cable R, S and T are correctly connected. Check the insulation resistance with the DB mega tester device (DC 500 V) between the power terminal block and grounding, and check whether it is 2 MΩ or above when measured. If the resistance is 2 MΩ or less, do not operate the product. Precaution)</p> <ul style="list-style-type: none"> - Never check the insulation resistance for the terminal control board. (The control board can be damaged.) - If you leave the system turned off right after the installation or for a long period of time, the refrigerant gets accumulated within the compressor and the insulation resistance reduces to less than 2 MΩ. When the insulation resistance is 2 MΩ or less, turn on the power and let the electricity be supplied to the crank case heater of the compressor and let the refrigerant including the oil inside the compressor to evaporate. Then the insulation resistance value will increase to more than 2 MΩ.
4	<p>[For Heat Recovery system] Check if liquid pipe and high/low pressure gas pipe valves are fully opened.</p> <p>[For Heat Pump system] Check if the liquid pipe and gas pipe valves are fully opened. NOTE : In case of Heat Pump system, check if liquid pipe and gas pipe valves fully opened. But the middle positioned pipe valve should be closed. (No use) NOTE : Be sure to tighten caps.</p>
5	<p>Precaution when blocking the water cooling type Multi V main power</p> <ul style="list-style-type: none"> - While using the product (Air conditioning season/Heating season), always connect the main power of the outdoor unit. - During the test run operation after installing the product or during the operation after blocking the outdoor unit main power (Power outage etc.), you must always connect the power 6 hours prior to heating the crank case heater. If the crank case is not preheated for more than 6 hours with the electric heater, it can cause a burn on the compressor. (Heating the bottom part of the compressor with the crank case heater is to evaporate the refrigerant included in the oil inside the compressor.)

Water supply system test run

Before executing the test run for the product, you must first test the heat source water system.
The test run for the product must be executed after checking the flow rate and temperature of the heat source water supplied.



! WARNING

- Always check whether the water supply is flowing smoothly before the test run. (If sufficient amount of water is not flowing, it can burn the product.)
- During the initial test run after installing the product, leaving the product for more than 3 days or after replacing the compressor, power must be connected 6 hours prior to the operation to heat the compressor heater. (If the product is not heated sufficiently, it can burn the product.)

How to Cope with Abnormal Test Run

Item	Phenomenon	Cause	Checkpoint and resolution
Whether heat water is supplied	CH24	Heat water not supplied or flow rate is insufficient	Check whether the heat source water supply pump is operating.
			Check whether the heat source water supply pipe is clogged. (Clean strainer, valve locked, valve issue, air trapped etc.)
	CH32	Heat water not supplied or flow rate is insufficient	Check whether heat source water supply pump is operating.
			Check whether the heat source water supply pipe is clogged. (Clean strainer, valve locked, valve issue, air trapped etc.)
	CH34	Heat water not supplied or flow rate is insufficient (During Cooling)	Check whether heat source water supply pump is operating.
			Check whether the heat source water supply pipe is clogged. (Clean strainer, valve locked, valve issue, air trapped etc.)
CH180	Heat water not supplied or flow rate is insufficient (During heating)	Check whether heat source water supply pump is operating. Check whether the heat source water supply pipe is clogged. (Clean strainer, valve locked, valve issue, air trapped etc.)	
CH189	When connecting the flow switch, heat-sourced water doesn't flow or the amount of its flow lacks due to the checked error related to heat-sourced water.	Check whether the heat source water supply pump is operating. Check whether the heat source water supply pipe is clogged. (Clean strainer, valve locked, valve issue, air trapped etc.)	
		Check whether the flow switch is normal condition. (Flow switch problem, arbitrary control, disconnection etc.)	

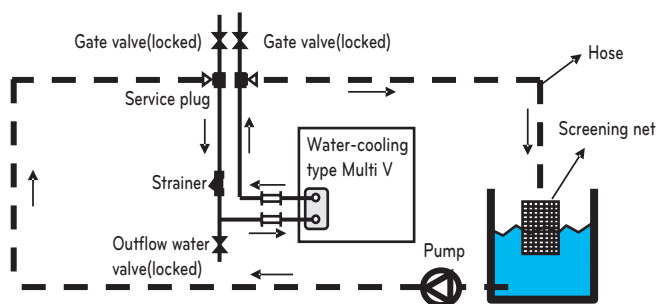
- * When CH24 or CH180 error occurs during the test operation of the heater, the inside of the panel heat exchanger may be partially frozen and therefore, be sure to get rid of its cause and then, re-operate the device.
(The root cause of partial freezing: The lack of flow of heat-sourced water, suspension of water, lack of cooling medium, infiltration of foreign substance inside of panel heat exchanger)

Maintenance of plate type heat exchanger

As the scales are created in the panel heat exchanger, its efficiency may decrease or damage may occur due to winter-sowing due to the decrease in its flow.

Due to this reason, regular maintenance is necessary so that the scales shouldn't be created.

- Before the season of use, check below points. (Once a year)
 - Inspection on water quality to check if this is within the standard condition.
 - Clean the strainer.
 - Check if the flow is appropriate.
 - Check if the operation environment is appropriate. (Pressure, flow, output temperature)
- Below procedure should be abided by in order to clean the panel heat exchanger. (Once every 5 years)
 - Check if the service port is equipped with the water pipe in order to clean the chemical solution.
5 % diluted formic acid, citric acid, oxalic acid, acetate acid, phosphoric acid and etc. are appropriate for the chemical solution for wiping out the scales. (Hydrochloric acid, sulphuric acid, nitric acid and etc. shouldn't be used due to its corrosion.)
 - Be sure to check if the gate valve of inflow/outflow pipe and the valve for outflow pipe are properly closed when cleaning.
 - Connect the water pipe for cleaning with the chemical solvent through the service plug of the pipe and fill up the panel heat exchanger with 50 °C ~ 60 °C (122 °F ~ 140 °F) of cleaning solvent and circulate it with the pump for 2~5 hours. The circulation time may depend on the temperature of the cleaning solvent or the creation of the scales. Therefore, observe change in the color of the chemical solvent to set the circulation time for removing the scales.
 - After the circulation of the solvent, extract the solvent inside of the panel heat exchanger and fill up 1 ~ 2 % of NaOH or NaHCO₃ and then, circulate it for 15 ~ 20 minutes to neutralize the heat exchanger.
 - Once the neutralization is completed, clean the inside of the panel heat exchanger with clean water.
Measure the water Ph to check if the chemical solvent is properly removed or not.
 - When using a different kind of chemical solvent in the market, be sure to check if there is any corrosive action to stainless or copper in advance or not.
 - For details on the cleaning chemical solvent, be sure to consult the specialists of the related corporation.
- After cleaning, operate the device to see if it works properly once again.



[Cleaning the panel heat exchanger]

Daily check/management

1 Water quality control

The plate type heat exchanger is not structured to be disassembled, cleaned or replaced with parts. To prevent corrosion or scaling on the plate type heat exchanger, special care must be taken to control the water quality. Water quality must satisfy the minimum criteria of the reference water quality items. When anti-corrosion agent or corrosion inhibitor is added, the substance must not have any corrosive effect on stainless steel and copper. Even if the circulating water is not contaminated by the external air, it is recommended to empty the water flowing in the pipe and to resupply the water.

2 Flow rate control

If the flow rate is insufficient, it can cause freezing on the plate type heat exchanger. Check whether the strainer is clogged or whether the pipe is filled with air and then check the temperature and pressure difference of the inlet and outlet pipe to check whether the flow rate is insufficient. If the temperature and pressure difference is above the appropriate level, it means that the flow rate is reduced. In this case, the operation must immediately be stopped and re-operated when the root cause is resolved. (*If air is trapped in the pipe, the air must be purged. Air inside the water pipe interferes with the circulation of the heat water supply and can cause insufficient flow rate or freezing.)

3 Brine density management

When using the brine (Anti-freeze) in the heat water supply, designated type and density must be used. Calcium chloride brine can cause corrosion on the plate type heat exchanger and must not be used. If the anti-freeze liquid is left as is, it absorbs the moisture from the air to cause a drop in the density, leading to freezing of plate type heat exchanger. Therefore minimize the contact surface with the atmosphere and periodically measure the density of the brine to supplement the brine as needed to maintain the density.

Maintenance/Repair checklist

Period (Year)	1	2	3	4	5	6	7	8	9	10	11	12	13	14	15
Checkpoint															
Product operating condition	●	●	●	●	●	●	●	●	●	●	●	●	●	●	●
Heat exchanger cleaning (Wash)					●					●					●
Strainer cleaning	●	●	●	●	●	●	●	●	●	●	●	●	●	●	●
Water quality check	●	●	●	●	●	●	●	●	●	●	●	●	●	●	●
Refrigerant leakage check	●														●
Indoor unit filter cleaning	●	●	●	●	●	●	●	●	●	●	●	●	●	●	●

CAUTION

- The above checklist is set based on the minimum period and more frequent checking can be required depending on the operating condition/water quality condition.
- When cleaning the heat exchanger, make sure to take parts out or lock the valve so that chemical detergent does not penetrate into the pressure gauge etc.
- When cleaning the heat exchanger, check the connecting part of the water pipes prior to cleaning so that the chemical detergent does not leak.
- After sufficiently mixing the chemical detergent with water, start cleaning.
- Cleaning the heat exchanger is easier at the initial stage and becomes difficult after the scaling has accumulated.
- In areas where the water quality is poor, cleaning is required periodically. Because chemical detergent has strong acidity, it must be washed off thoroughly with water.
- To check whether it is cleaned well inside, remove the hose and check the inside.
- Purge the air to remove any air inside the water pipe.
- After checking, always check whether the heat water supply is flowing normally before operating the product.

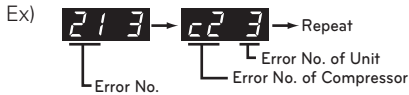
Self-Diagnosis Function

Error Indicator

- This function indicates types of failure in self-diagnosis and occurrence of failure for air condition.
- Error mark is displayed on display window of indoor units and wired remote controller, and 7-segment LED of outdoor unit control board as shown in the table.
- If more than two troubles occur simultaneously, lower number of error code is first displayed.
- After error occurrence, if error is released, error LED is also released simultaneously.

Error Display

1st,2nd,3rd LED of 7-segment indicates error number, 4th LED indicates unit number. (* = 1: Master, 2: Slave 1, 3: Slave 2)



* Refer to the DX-Ventilation manual for DX-Ventilation error code.

Display		Title	Cause of Error
Indoor unit related error	0 1 -	Air temperature sensor of indoor unit	Air temperature sensor of indoor unit is open or short
	0 2 -	Inlet pipe temperature sensor of indoor unit	Inlet pipe temperature sensor of indoor unit is open or short
	0 3 -	Communication error : wired remote controller ↔ indoor unit	Failing to receive wired remote controller signal in indoor unit PCB
	0 4 -	Drain pump	Malfunction of drain pump
	0 5 -	Communication error : outdoor unit ↔ indoor unit	Failing to receive outdoor unit signal in indoor unit PCB
	0 6 -	Outlet pipe temperature sensor of indoor unit	Outlet pipe temperature sensor of indoor unit is open or short
	0 8 -	Hydro Kit Hot water storage tank Temperature sensor	Pipe temperature sensor is open or short
	0 9 -	Indoor EEPROM Error	In case when the serial number marked on EEPROM of Indoor unit is 0 or FFFFFFFF
	1 0 -	Poor fan motor operation	Disconnecting the fan motor connector / Failure of indoor fan motor lock
	1 1 -	Communication error : Hydro Kit Indoor unit ↔ Inv.PCB	Failing to receive Inv. PCB signal in indoor unit
	1 2 -	Hydro Kit Inv.PCB error	Hydro Kit Inv.PCB error
	1 3 -	Hydro Kit Solar heat piping temperature sensor error	Pipe temperature sensor is open or short
	1 4 -	Hydro Kit Indoor unit Flow switch error	Flow switch flow detection error
	1 5 -	Hydro Kit Liquid pipe Strange overheat Error	Temperature sensor defective or hot water inflow
	1 6 -	Hydro Kit Indoor unit Inlet and Outlet pipe Temperature sensor Error	Pipe temperature sensor is open or short
	1 7 -	Hydro Kit Indoor unit Inlet pipe Temperature sensor Error Outside air Introduction duct Inlet pipe Temperature sensor Error	Pipe temperature sensor is open or short
	1 8 -	Hydro Kit Indoor unit Outlet pipe Temperature sensor Error	Pipe temperature sensor is open or short
	Outdoor unit related error	2 3 0 -	Error in refrigerant leakage detection
2 3 7 -		Poor communication between the outdoor unit and the indoor unit	The indoor unit could not receive the communication signal from the outdoor unit for at least 3 consecutive minutes
2 3 8 -		Poor communication between the controlling part of the outdoor unit and the indoor unit.	The controlling part of the outdoor unit could not receive the signal for controlling the indoor unit
2 1 *		Master Outdoor Unit Inverter Compressor IPM Fault	Master Outdoor Unit Inverter Compressor Drive IPM Fault
2 2 *		Inverter PCB Input Over Current(RMS) of Master Outdoor Unit	Master Outdoor Unit Inverter PCB Input Current excess (RMS)
2 3 *	Master Outdoor Unit Inverter Compressor DC Link Low or High Voltage	System is turned off by Master Outdoor Unit DC Link Low/High Voltage.	
2 4 *	Master Outdoor Unit High Pressure Switch	System is turned off by Master Outdoor Unit high pressure switch.	
2 5 *	Master Outdoor Unit Input Voltage High/ Low Voltage	Master Outdoor Unit input voltage is over 537 V or below 247 V (ARWM***LAS5) Master Outdoor Unit input voltage is over 310 V or below 143 V (ARWM***BAS5) Master Outdoor Unit input voltage is over 598 V or below 320 V (ARWM***DAS5) Master Outdoor Unit input voltage is over 776 V or below 373 V (ARWM***CAS5)	

Display				Title	Cause of Error	
Outdoor unit related error	2	6	*	Master Outdoor Unit Inverter Compressor Start Failure	The first start failure by Master Outdoor Unit Inverter Compressor abnormality or Compressor locked	
	2	8	*	Master outdoor unit inverter DC link over-voltage error	Compressor turned Off due to master outdoor unit inverter DC voltage over-charge	
	2	9	*	Master Outdoor Unit Inverter Compressor Over Current	Master Outdoor Unit Inverter Compressor Fault or some bits in pipe.	
	3	2	*	Master Outdoor Unit Inverter Compressor1 High Discharge Temperature	Master Outdoor Unit Inverter Compressor1 High Discharge Temperature	
	3	4	*	High Pressure of Master Outdoor Unit	High Pressure of Master Outdoor Unit	
	3	5	*	Low Pressure of Master Outdoor Unit	Low Pressure of Master Outdoor Unit	
	3	6	*	Master Outdoor Unit Low Compression Ratio Limited	Master Outdoor Unit stayed under low Compression limit for 3 minutes	
	4	0	*	Master Outdoor Unit Inverter Compressor CT Sensor Fault	Master Outdoor Unit Inverter Compressor CT Sensor open or short	
	4	1	*	Master Outdoor Unit Inverter Compressor1 Discharge Temperature Sensor Fault	Master Outdoor Unit Inverter Compressor Discharge Temperature Sensor open or short	
	4	2	*	Master Outdoor Unit Low Pressure Sensor Fault	Master Outdoor Unit Low Pressure Sensor open or short	
	4	3	*	Master Outdoor Unit High Pressure Sensor Fault	Master Outdoor Unit High Pressure Sensor open or short	
	4	4	*	Master Outdoor Unit Air Temperature Sensor Fault	Master Outdoor Unit Air Temperature Sensor open or short	
	4	6	*	Master Outdoor Unit Suction Temperature Sensor Fault	Master Outdoor Unit Suction Temperature Sensor open or short	
	4	9	*	Master Outdoor Unit Faulty IPM Temperature Sensor	Master Outdoor Unit IPM Temperature Sensor short/open	
	5	0	*	Omitting connection of R, S, T power of Master Outdoor Unit	Omitting connection of Master outdoor unit	
	5	1	*	Excessive capacity of indoor units	Excessive connection of indoor units compared to capacity of Outdoor Unit	
	5	2	*	Communication error : inverter PCB → Main PCB	Failing to receive inverter signal at main PCB of Master Outdoor Unit	
	5	3	*	Communication error : indoor unit → Main PCB of Outdoor Unit	Failing to receive indoor unit signal at main PCB of Outdoor Unit.	
	5	7	*	Communication error : Main PCB → inverter PCB	Failing to receive signal main PCB at inverter PCB of Master Outdoor Unit	
	5	9	*	Wrong setting between master and slave outdoor unit	When geothermal mode setting is different(Fn 2 setting)	
	6	0	*	Inverter PCB EEPROM Error of Master Outdoor Unit	Access Error of Inverter PCB of Master Outdoor Unit	
	6	2	*	Master Outdoor Unit Inverter Heatsink High Temperature	System is turned off by Master Outdoor Unit Inverter Heatsink High Temperature	
	6	5	*	Master Outdoor Unit Inverter Heatsink Temperature Sensor Fault	Master Outdoor Unit Inverter Heatsink Temperature Sensor open or short	
	7	1	*	Inverter CT Sensor Error of Master Outdoor Unit	Inverter CT Sensor open or short of Master Outdoor Unit	
	8	6	*	Master Outdoor Unit Main PCB EEPROM Error	Communication Fail Between Master Outdoor Unit Main MICOM and EEPROM or omitting EEPROM	
	1	0	4	*	Communication Error Between Master Outdoor Unit and Other Outdoor Unit	Failing to receive Slave Unit signal at main PCB of Master Outdoor Unit
	1	1	3	*	Outdoor Unit Liquid pipe Temperature Sensor Error	Liquid pipe temperature sensor of Outdoor Unit is open or short
	1	1	5	*	Outdoor Unit Subcooling Outlet Temperature Sensor Error	Outdoor Unit Subcooling Outlet Temperature Sensor Error
	1	1	6	*	Outdoor Unit Oil Level Sensor Error	Oil Level Sensor of Outdoor Unit is open or short
	1	4	5	*	Outdoor unit Main Board - External Board communication Error	Outdoor unit Main Board - External Board communication Error
	1	5	0	*	Outdoor Unit Discharge Superheat not satisfied	Outdoor Unit Compressor Discharge Superheat not satisfied during 5 Min.
	1	5	1	*	Failure of operation mode conversion at Outdoor Unit	Failure of operation mode conversion at Outdoor Unit
1	8	0	*	Plate type heat exchanger freeze prevention	Plate type heat exchanger freeze prevention error	
1	8	1	*	Water outlet temperature sensor error	Water outlet temperature sensor open or short	
1	8	2	*	Outdoor unit External Board Main-Sub Micom communication Error	Outdoor Unit Main Board Main-Sub Micom communication failed	
1	8	7	*	Hydro - Kit P,HEX bursting error	Inlet water temperature is below 5 degree or water temperature error during defrosting operation.	
1	8	8	*	Water inlet temperature sensor error	Water inlet temperature sensor open or short	
1	8	9	*	Flow switch error	Heat water not supplied or flow rate is insufficient	

Display				Title	Cause of Error	
HR Unit related error	2	0	0	1	Searching pipe Error	Failure of automatic addressing of valves
	2	0	1	#HR + h	HR unit1 Liquid sensor error	Liquid pipe sensor of HR unit open or short
	2	0	2	#HR + h	HR unit1 Sub Cooling Pipe sensor error	Sub Cooling Pipe In sensor of HR unit open or short
	2	0	3	#HR + h	HR unit1 Sub Cooling Pipe Out sensor error	Sub Cooling Pipe Out sensor of HR unit. open or short
	2	0	4	#HR + h	Communication error	Failing to receive HR unit signal at outdoor unit
	2	0	5	#HR + h	Communication error between HR unit and the upgraded 485 modem.	4 series upgraded 485 communication error between HR unit and HR unit modem
	2	0	6	#HR + h	Duplicate address error of HR unit	When the HR unit address is set duplicated at the 4 series upgraded 485 communication
	2	0	7	#HR + h	Communication error between Master and Slave Main PCB of HR Unit	When fail to communication between Master and Slave Main PCB of HR Unit
	2	0	8	#HR + h	Communication error of EEPROM of HR Unit	When fail to communication of EEPROM of HR Unit
Network error	2	4	2	*	Network error of cntral controller	Communication wiring defect

h : HR unit # : HR unit number

CAUTION FOR REFRIGERANT LEAK

The installer and system specialist shall secure safety against leakage according to local regulations or standards. The following standards may be applicable if local regulations are not available.

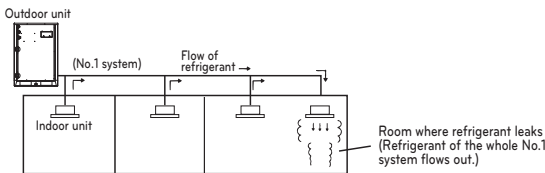
Introduction

Though the R410A refrigerant is harmless and incombustible itself, the room to equip the air conditioner should be large to such an extent that the refrigerant gas will not exceed the limiting concentration even if the refrigerant gas leaks in the room.

Limiting concentration

Limiting concentration is the limit of Freon gas concentration where immediate measures can be taken without hurting human body when refrigerant leaks in the air. The limiting concentration shall be described in the unit of kg/m³(lbs/ft³) (Freon gas weight per unit air volume) for facilitating calculation.

Limiting concentration: 0.44 kg/m³ (0.028 lbs/ft³)(R410A)



Checking procedure of limiting concentration

Check limiting concentration along following steps and take appropriate measure depending on the situation.

Calculate amount of all the replenished refrigerant (kg) per each refrigerant system.

$$\begin{matrix} \text{Amount of replenished} \\ \text{refrigerant per one outdoor} \\ \text{unit system} \end{matrix} + \begin{matrix} \text{Amount of additional} \\ \text{replenished refrigerant} \\ \text{depending on piping} \\ \text{length or piping} \\ \text{diameter at customer} \end{matrix} = \begin{matrix} \text{Total amount of replenished} \\ \text{refrigerant in refrigerant} \\ \text{facility (kg)} \end{matrix}$$

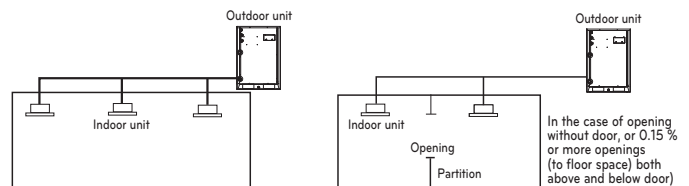
Note : In case one refrigerant facility is divided into 2 or more refrigerant systems and each system is independent, amount of replenished refrigerant of each system shall be adopted.

Calculate minimum room capacity

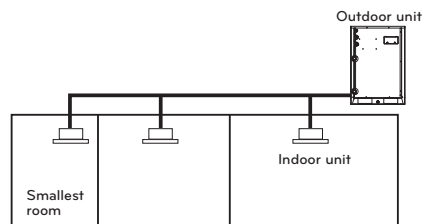
Calculate room capacity by regarding a portion as one room or the smaller room.

- Without partition

- With partition and with opening which serve as passage of air to adjoining room



- With partition and without opening which serve as passage of air to adjoining room



Calculate refrigerant concentration

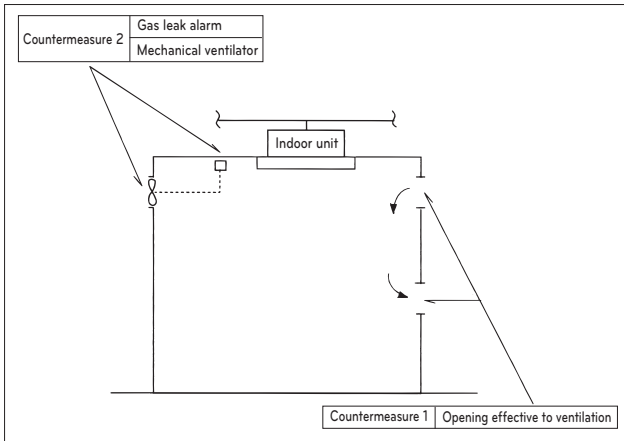
$$\frac{\text{Total amount of replenished refrigerant in refrigerant facility [kg(lbs)]}}{\text{Volume of smallest room where indoor unit is installed [m}^3\text{(ft}^3\text{)]}} = \text{Maximum concentration limit [kg/m}^3\text{(lbs/ft}^3\text{)] (R410A)}$$

- In case the result of calculation exceeds the limiting concentration, perform the same calculations by shifting to the second smallest, and the third smallest rooms until at last the result is below the limiting concentration.

In case the concentration exceeds the limit

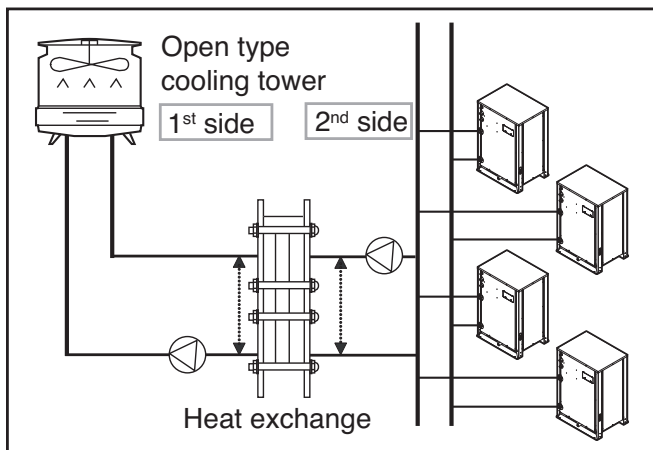
When the concentration exceeds the limit, change original plan or take one of the countermeasures shown below:

- Countermeasure 1
Provide opening for ventilation.
Provide 0.15 % or more opening to floor space both above and below door, or provide opening without door.
- Countermeasure 2
Provide gas leak alarm linked with mechanical ventilator.
Reducing the outdoor unit refrigerant qty.



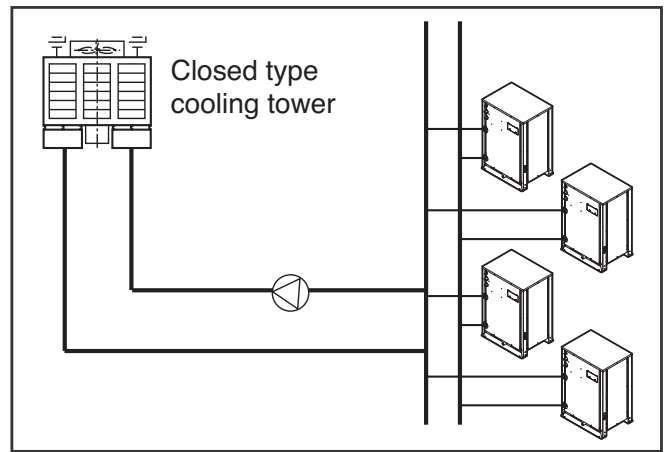
Pay a special attention to the place, such as a basement, etc. where refrigerant can stay, since refrigerant is heavier than air.

COOLING TOWER APPLIED METHOD



[Open type cooling tower + Middle heat exchanger]

Heat exchanger is installed between the cooling tower and outdoor unit system piping, and the temperature difference between 1st side and 2nd side is maintained constantly.

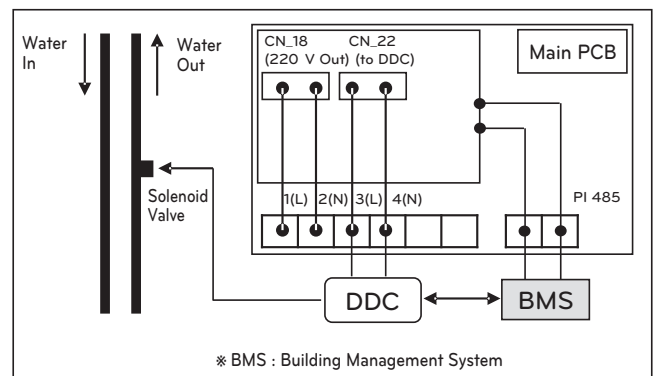


CAUTION

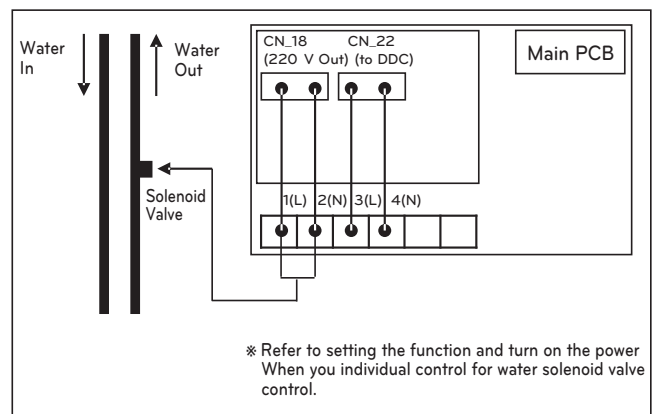
When the open type cooling tower is used and the water supply is directly connected to the 2nd heat exchanger, product damage by alien particle cannot be repaired for free.
- Always use the 2nd heat exchanger.

WATER SOLENOID VALVE CONTROL

Central Control(Use DDC Port)



Individual Control (Use 220 V Output Port)



* Refer to setting the function and turn on the power When you individual control for water solenoid valve control.



LG Electronics México, S.A de C.V

Sor Juana Inés de la Cruz No. 555

Col. San Lorenzo Industrial

Tlalnepantla de Baz, Estado de México C.P. 54033

Tel. 5 5 5321 1919

Página web <http://www.lg.com.mnx>



US	Please call the installing contractor of your product, as warranty service will be provided by them.
CANADA	Service call Number # : (888) LG Canada, (888) 542-2623 Numéro pour les appels de service : LG Canada, 1-888-542-2623