



# LG

Life's Good

## Installation Manual

# Wall Mount Support

Before use of this product, please read "Safety Precautions" to ensure trouble-free use.

After reading the installation manual, store it in a convenient place for future reference.

WB21EB



[www.lg.com](http://www.lg.com)

Copyright © 2021 LG Electronics Inc.

All Rights Reserved.



\* M F L 7 1 7 9 5 4 0 2 \*

(2104-REV00)



# Accessories

ENGLISH



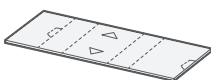
Wall mount fixing anchors  
8 pcs



Wall mount fixing  
screws 8 pcs



Installation Manual



Paper BOX



## Safety Precautions

- Professional installers should read this manual carefully to ensure proper installation.
- Professional installers should forward this manual to customers after installation and encourage them to read and store it in a convenient place for future reference.

After reading the installation manual, keep it in a convenient place for future reference.



### Caution

**Ask a professional installer appointed by the store for installation of the product.**

Installation by someone other than a professional installer is extremely dangerous and may result in personal injury.

**Contact a professional installer appointed by the store prior to moving or replacing the product after installation.**

Installation is a technical task and safety issues may arise if an individual attempts to install or move the product personally.

**When installing the product on a wall, do not hang the power line or signal cables from the back of the TV.**

This can damage the cords, resulting in a fire, electrical shock or malfunction of the product.

**Do not install the product in an unstable site that cannot withstand its weight.**

If the installation site lacks sufficient rigidity, the product may fall and cause personal injury.

**Do not hang on the product or subject it to severe impact after installation.**

Doing so may cause the product to fall and cause personal injury.



## Warning

**Install the product according to the instructions in the installation manual.**

Failure to install the product according to the instructions in the installation manual can result in serious personal injury or product damage.

**Make sure a wall is available prior to proceeding with installation. Make use of the anchors and screws provided with the product.**

Use of any unauthorized anchors or screws may not support the product's weight, which poses safety risks.

**Do not wipe the product with a wet towel or use any heating equipment or humidifier under the place where the product is installed.**

Liquid water or vapor may enter the product and excessive heat may cause fire, electric shock, or malfunction.

**Unplug the product's power cord from the wall outlet before installing.**

Installing the product while the power cord is plugged in may result in electric shock or fire.

**Connect the product with the supplied cable. Use of an unauthorized cable may result in damage by friction with the wall. Make sure to use the supplied cable gender.**

(This may vary by model.)

**Be sure to have at least two people when installing the product or adjusting the product's height after installation.**

Attempting to perform installation or adjustments personally may result in personal injury or damage to the product.

**When drilling in the wall for installation, be sure to use drill bits and drills of the specified diameter. Follow the instructions for the hole depth.**

Drilling and installing the product in ways other than specified in the installation manual may result in an unstable installation and potential safety issues.

**Do not install the product near a fire sprinkler or detector, a place where vibration or shock may occur or near a high-voltage wire or power source.**

**Do not install the product with bare hands. Be sure to wear work gloves.**

Attempting installation without work gloves may cause personal injury.



## Before Installation

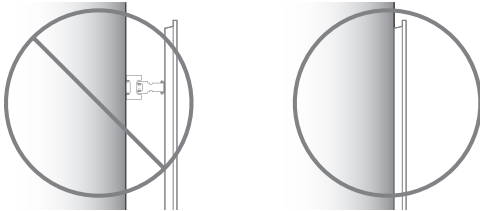
- \* Do not use the product for any purpose other than installing the TV on a wall.
- \* Avoid product damage and safety accidents caused by careless installing or use of improper or unauthorized wall mount.
- \* Follow the instructions in the installation manual for a convenient installation of the wall mount.
- \* Immediately discontinue installation and contact the service center if you cannot fully understand the installation process.  
Use a professional installer if any installation issues remain after the inquiry.
- \* Installation of this product on a concrete wall or wood stud is recommended. Installation of this product on other surfaces (Dry wall, plywood, bricks, etc.) is not recommended. Improper installation may result in the product falling.
- \* When installing the Full Contact Wall Mount, the TV may not be contacted firmly against the wall due to some wall conditions.
- \* Install the product only on a vertical wall.  
Do not install on a tilted wall that exceeds building standards or on the heavily titled wall or ceiling.  
LG is not responsible for problems caused by improper installation of the product, e.g., heavily tilted walls and ceilings.
- \* Check the enclosed accessories before installation. We are not responsible for any lost or damaged accessories after the inner packaging is opened.
- \* When an infant or small child swallows the enclosed accessories, various safety accidents such as choking may occur. Keep the enclosed accessories out of the reach of infants and children.
- \* When tightening screws, tighten until fully snug. Avoid using excessive force when tightening the screws.  
Doing so may damage the wall and product or reduce the rigidity or performance of the product.
- \* Avoid installing a TV that exceeds the specified tensile load, and do not allow any external force to be applied to the product.
- \* Avoid accidents by using work tools with care during installation.
- \* After installing the product, ensure its use in close contact with a wall.  
If the product is not positioned against a wall, the product may be unstable or damaged.

<Tools for Installation>

"+" shaped screwdriver (manual or electric) / level / drill / Ø 8 mm drill bit for concrete or Ø 4 mm drill bit for steel



## How to fix the TV on the wall



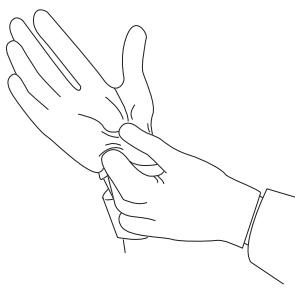
- \* Please use the TV close to the wall after installation.



## How to install

- The appearance of tools may differ from the enclosed images.
- Always consult a professional when installing a wall mount.

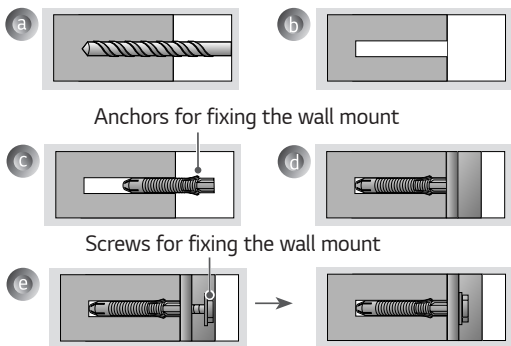
### 1 Wearing gloves



### 2 How to fix anchors and screws

- Check that the material and thickness of the wall and finishing material comply with the installation manual. Before beginning the mounting process, you must be sure the wall is able to support the weight of the TV.
- Should use the enclosed anchors and screws on crack-free concrete walls.
- Never install the product on a plasterboard or wall made of paper or medium-density fiberboard (MDF). When it is necessary to install the product on such wall, anchor screws must be fastened to retaining walls (concrete) or wood Stud inside the finishing material.
- The wall mount should be attached to a stud. This usually will not be a problem, but depending on individual circumstances, there may be cases when the ability to mount into a stud is not possible. In this case, there are a variety of drywall anchors, such as toggle bolts, which may provide a solution. If using drywall anchors, please be sure the anchors and the wall have the ability to support the weight of your TV. Please note that the supplied anchors may not be the correct ones for your individual situation, so you should check with a local professional.
- Other unspecified walls must be capable of supporting pullout loads of over 70 kgf (686 N) and shear loads of over 100 kgf (980 N) per fastener.
- Use an  $\varnothing$  8 mm drill bit for concrete and a hammer (impact) drill or  $\varnothing$  4 mm drill bit for wood stud to drill holes.

(For installation on concrete wall)



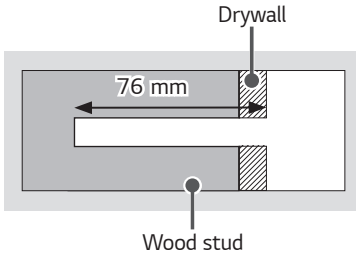
Anchors for fixing the wall mount

Screws for fixing the wall mount

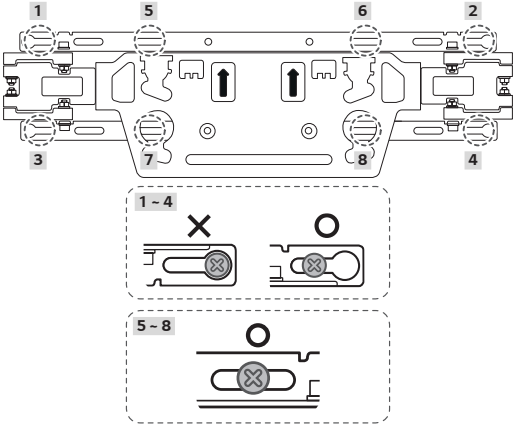
- Drill holes in anchor locations with a drill bit of  $\varnothing$  8 mm to a depth of 80 mm to 100 mm.
- Clean the drilled holes.
- Insert the enclosed anchors for fixing the wall mount into the holes. (Use a hammer when inserting anchors.)
- Push the wall mount support closely toward the wall to match the hole locations.
- Tighten screws for fixing the wall mount to the holes. At this time, tighten the screws with the torque more than 45 kgf/cm to 60 kgf/cm.

(For installation on wood stud)

Use the  $\varnothing$  4 mm drill bit for wood to drill holes with the depth of 76 mm. (Clean the drilled hole.)



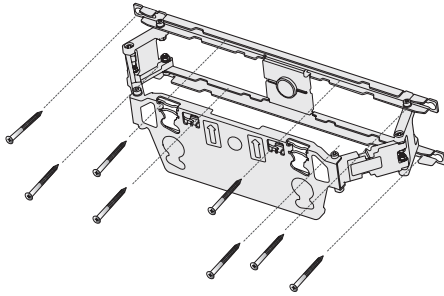
Without using the wall mounting anchor, fasten the wall mounting screw directly to the wood stud.



### 3

## How to install the wall mount support

- It is recommended that this product be installed only on concrete walls. Installing it elsewhere (e.g. walls made of wood, plywood, bricks, etc.) is not recommended and may result in the product falling.

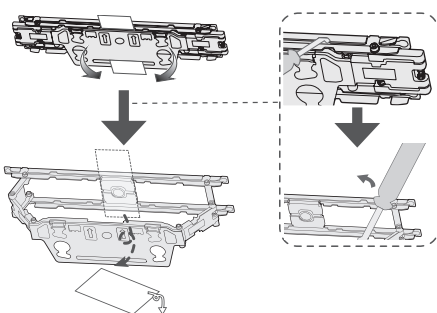


- Align the wall mount support with the wall where you want to install the wall mount support, mark the places where the wall screws will be fixed and remove the wall mount support.
- Refer to the following picture to fix the wall mount support.
- Use a level to verify that the wall mount is positioned horizontally.
- If the screw cannot be tightened in the designated position, do so in the position nearest the original. However, do not change more than 2 positions from the designated position.
- Fix 2 wall mount fixing screws each on the top left and right and 2 others each on the bottom left and right.
- At this time, use a "+" shaped screwdriver (manual or electric) to turn the screw so that the wall, the wall mount support, and the screws come into close contact.

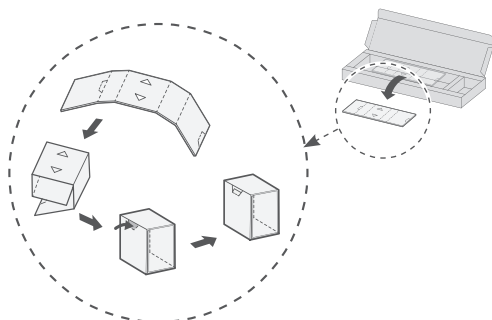
## 4

## How to combine the wall mount support and TV

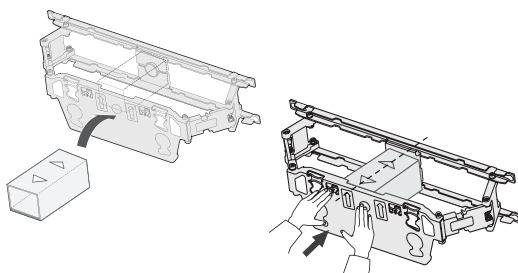
1. Pull the wall mount bracket installed on the wall forward as much as possible.
  - Use tools if necessary.



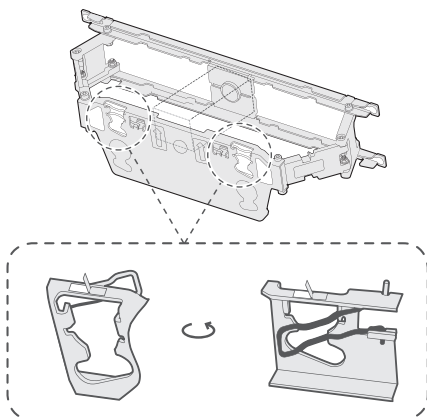
2. Fold the anti-push paper into a box.
  - Take out the anti-push paper, and fold it into a box along the folding lines.
  - Press the marked part to fix the shape.



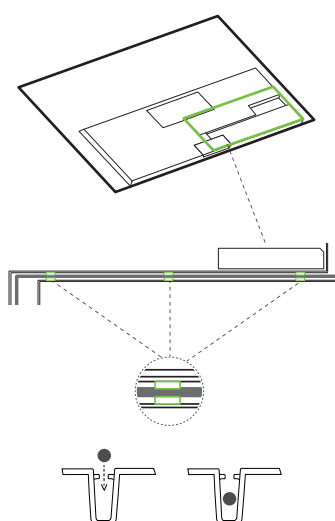
3. Insert the anti-push paper box inside the bracket to prevent the bracket from being pushed back while installing the TV.
  - Place the box with the front/back arrows on the box facing up.
  - After inserting the anti-push paper box, push the bracket so that the box does not fall off.



4. Push the two safety pins on the left and right sides of the bracket to open them.
  - Push the two safety pins on the left and right sides of the bracket to open them.

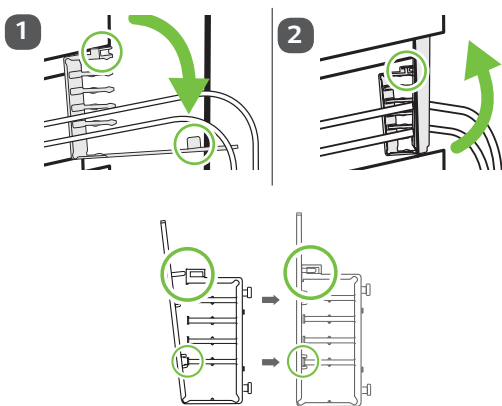


5. Lay the TV down, insert the power cord into the slot on the back of the TV, and fix it.

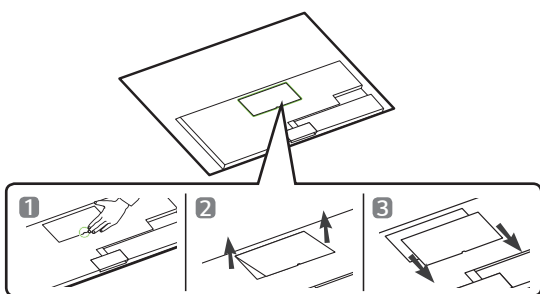


6. Align the power cord and other cables using the cable holder.

Caution: Keep the cables within the designated area. (Cables outside the designated area may prevent the TV from being attached to the wall.)



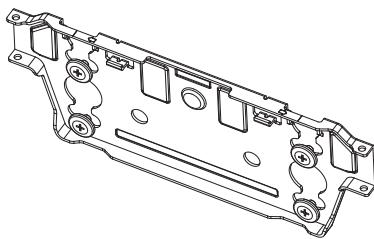
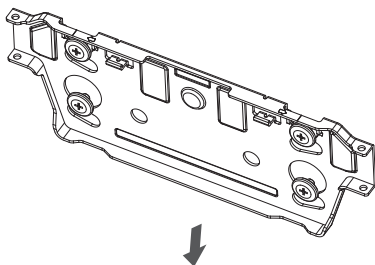
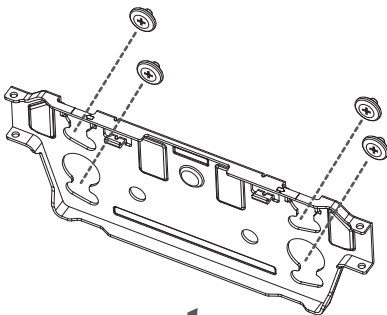
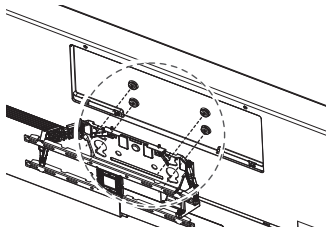
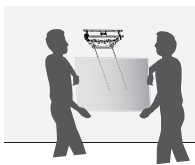
7. With the TV lying down, remove the upper cover.



8. Mount the TV to the wall mount bracket.

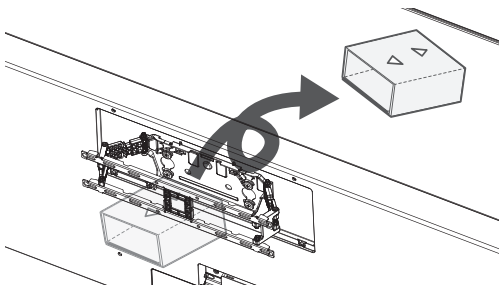
- Insert the spacer screws on the TV into the holes on the bracket attached to the wall.
- With the spacer screws inserted into the hole, lower the TV to secure them.
- Check if the TV is securely fixed by pulling out the bottom of the TV.
- When mounting a TV with a speaker attached, hold the TV and lift it up. Do not hold the speaker.

Caution: Ensure two or more people work together when mounting the TV. (If the product is lifted by one person, it may fall and result in injury or damage.)  
Be careful not to trap the power cord between the wall mount bracket and the TV when mounting the TV. (If the power cord becomes trapped, it may result in product damage.)



9. Remove the anti-push paper box.

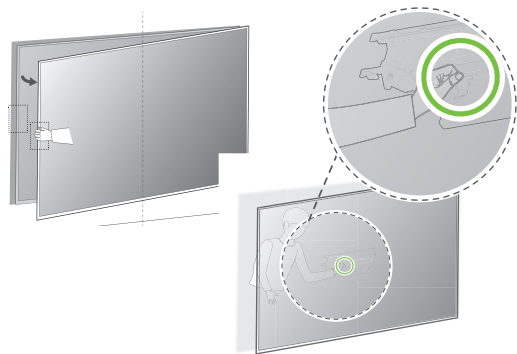
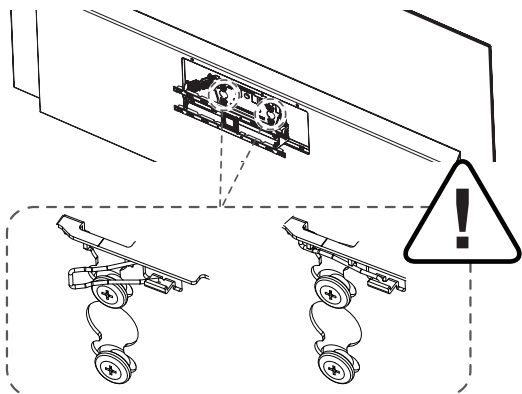
- Pull the TV forward as much as possible to make it easier to remove the box.



10. Pull the two safety pins on the left and right sides of the bracket to close them.

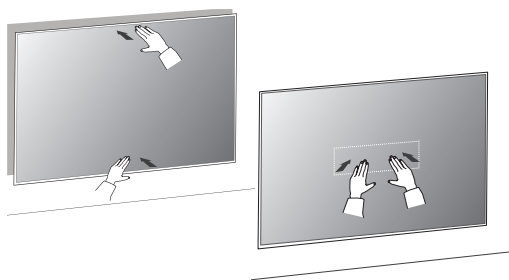
Caution: Ensure the safety pins are closed and secured. (If the product is moved with the safety pins open, it may fall and result in injury or damage.)

If a safety pin is out of reach, make space by pulling one side of the TV forward and pushing the other side to the wall, and lock/unlock the safety pin.



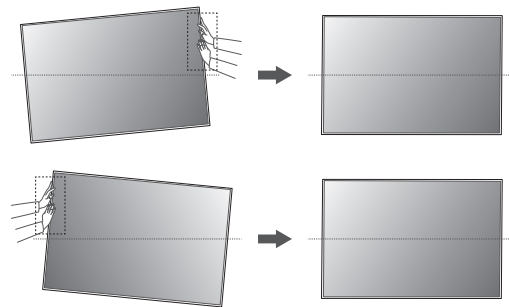
11. Push the TV until it makes close contact with the wall.

- Gently push the top and bottom of the TV without excessive force.
- Push the centre of the TV gently once more to mount it tight to the wall.



12. If the installed product is not level, you can level it by hand.

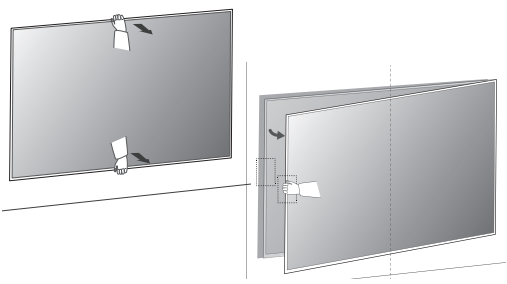
- Push the side of the TV with your hand and move it in the desired direction.



## 5

## How to connect additional cables while watching TV

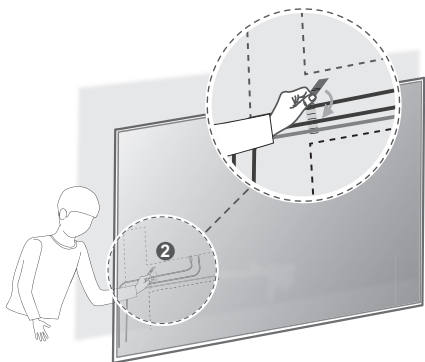
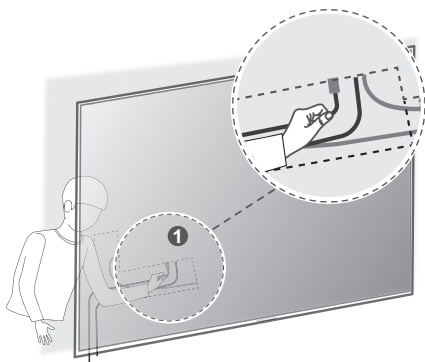
1. Pull the TV forward.
  - Gently pull the top and bottom sides of the TV, and pull from the left side to check where the cables connect.



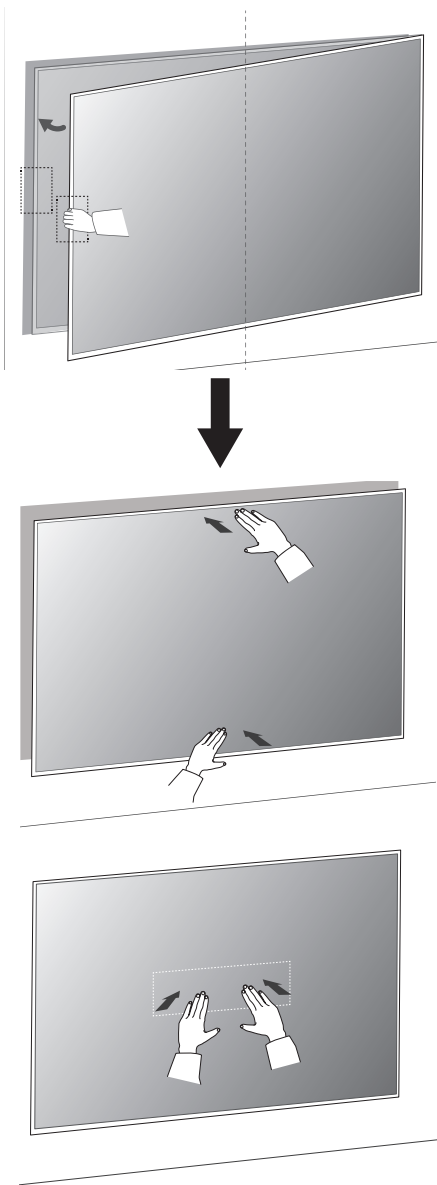
2. Once the TV has been pulled out, you can now begin connecting the cables.

- Getting as far behind the TV as possible, line up your cables utilizing the cable holder.

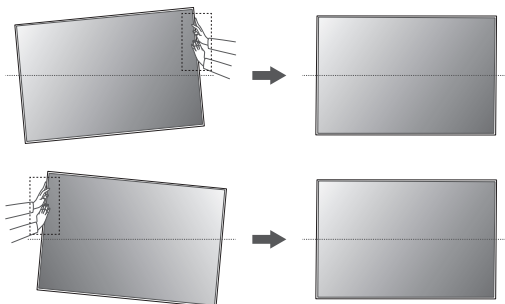
Caution: Make sure the cables are not placed outside the designated area. (Cables outside the designated area may prevent the TV from being attached to the wall.)



3. Push the TV until it makes close contact with the wall.
- Gently push the top and bottom of the TV without excessive force.
  - Push the centre of the TV gently once more to mount it tight to the wall.



4. If the installed product is not level, you can level it by hand.
- Push the side of the TV with your hand and move it in the desired direction.

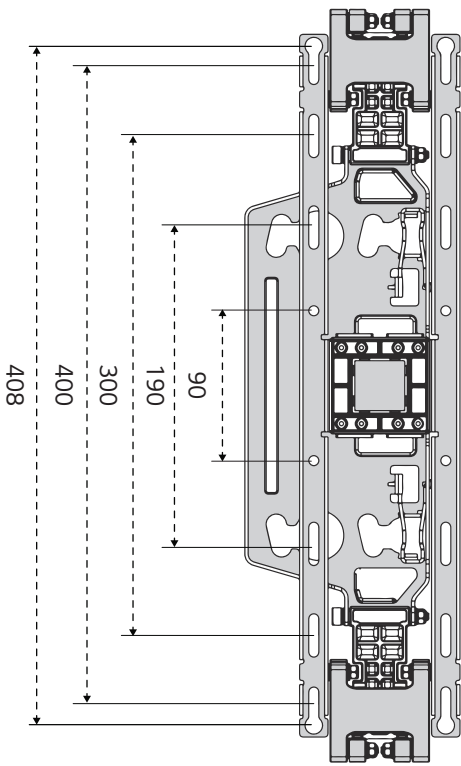
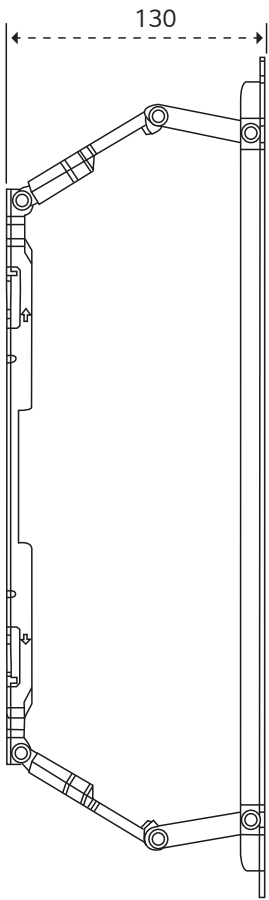




# Product Specifications

(mm)

ENGLISH



Model name	WB21EB
Width (mm)	452
Height (mm)	129
Depth (mm)	13
Weight (kg)	1.2
Maximum tensile load (kg)	50
Screws Distance (mm)	180 x 55

