

Delta Geocoil - DGC

200-250-300 l.

EUR



SAFETY INFORMATION
O&M INFORMATION
INSTALLATION MANUAL
TDS - TECHNICAL DATA SHEET



CONTENTS

1. 1. Safety instructions	3
1.1 General information.....	3
1.2 Safety instructions for users.....	4
1.3 Safety instructions for installers.....	4
2. 2. Product description	5
2.1 Product identification.....	5
2.2 Intended use.....	5
2.3 CE marking.....	5
2.4 Technical data.....	5
2.5 ErP data (TDS).....	5
3. 3. Installation instructions	6
3.1 Products covered by these instructions.....	6
3.2 Included in delivery.....	6
3.3 Product dimensions.....	6
3.4 Requirements for installation location.....	7
3.5 Pipe installation.....	8
3.6 Electrical installation.....	10
4. 4. Initial commissioning	12
4.1 Filling with water.....	12
4.2 Turning on the power.....	12
4.3 Setting the mixer valve.....	12
4.4 Control points.....	12
4.5 Emptying of water.....	12
4.6 Handover to end-user.....	12
5. 5. Settings	13
5.1 Settings.....	13
5.2 Maintenance and annual inspection.....	13
6. 6. Troubleshooting	14
6.1 Faults and fixes.....	14
7. 7. Warranty conditions	15
7.1 Warranty and registration.....	15
7.2 Customer service.....	15
8. 8. Removing the product	15
8.1 Removal.....	15
8.2 Returns scheme.....	15

1. SAFETY INSTRUCTIONS

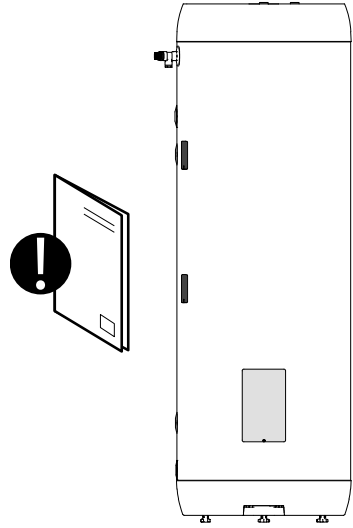
1.1 General information

Read the following safety instructions carefully before installing, maintaining or adjusting the water heater.





Personal injury or material damage may result if the product is not installed or used in the intended manner.


Keep this manual and other relevant documents where they are accessible for future reference.

The manufacturer assumes compliance (by the end-user) with the safety, operating and maintenance instructions supplied and (by the installer) with the fitting manual and relevant standards and regulations in effect at the date of installation.







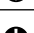




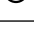
Symbols used in this manual:

 WARNING	Could cause serious injury or death
 CAUTION	Could cause minor or moderate injury or damage to property
 DO NOT	DO NOT
 DO	DO








 This document should be kept in a suitable place where it is accessible for future reference.





1.2 Safety instructions for users

 WARNING	
	The overflow from the safety valve shall NOT be sealed or plugged.
	The product shall NOT be covered over the cover on the front.
	The product shall NOT be modified or changed from its original state.
	Children shall NOT play with the product or go near it without supervision.
	The product shall be filled with water before the power is switched on.
	Maintenance/settings shall only be carried out by persons over 18 years of age, with sufficient understanding.

 CAUTION	
	The product shall not be exposed to frost, over-pressure, over-voltage or chlorine treatment. See warranty provisions.
	Maintenance/settings shall not be carried out by persons of diminished physical or mental capacity, unless they have been instructed in the correct use by someone responsible for their safety.

1.3 Safety instructions for installers

 WARNING	
	The overflow from the safety valve shall NOT be sealed or plugged.
	The discharge pipe from any safety device shall be at least one pipe size larger than the nominal outlet size of the safety device (< 9m length). The discharge pipe shall have continuous fall to drain, be uninterruptable and frost-free at all times.
	The electrical supply to the heater shall be done in accordance with current local regulations and best practice by a qualified electrician. The product is intended for permanent supply.
	The mains power supply cable shall withstand 90°C. A strain reliever shall be fitted.
	The product shall be filled with water before the power is switched on.
	The relevant regulations and standards, and this installation manual, shall be followed.

 CAUTION	
	The product shall be placed in a room with a floor drain. The manufacturer assumes no responsibility whatsoever if this provision is not followed.
	The product shall be properly aligned vertically and horizontally, on a floor or wall suitable for the total weight of the product when in operation. See type plate.
	The product shall have a clearance for servicing of 40 cm in front of the electric cover / 10 cm over the highest point.

2. PRODUCT DESCRIPTION



2.1 Product identification

Identification details for your product can be found on the type plate fixed to the product. The type plate contains details of the product in accordance with EN 12897:2016 and EN 60335-2-21, as well as other useful data. See Declaration of Conformity at <https://www.lg.com/global/support/cedoc/cedoc> for more information.

LG products are designed and manufactured in accordance with:

EN 12897:2016 - Pressure vessel standard

EN 60335-2-21 - Safety standard

LG Electronics is certified for

ISO 9001 - Quality

ISO 14001 - Environment

ISO 45001 - Work environment

2.2 Intended use

Delta Geocoil is designed to supply homes with hot running water. The product is intended for use with alternative energy sources.

2.3 CE marking

The CE mark shows that the product complies with the relevant Directives. See Declaration of Conformity at <https://www.lg.com/global/support/cedoc/cedoc> for more information.

The product complies with Directives for:

LVD 2014/35/EU - Low voltage

EMC 2014/30/EU - Electromagnetic compatibility

PED 2014/68/EU - Pressurised equipment

Any safety valve(s) used should be CE-marked and comply with the PED 2014/68/EU.

2.4 Technical data

LG Model no.	Product code ¹	Capacity, persons	Weight (Net), kg.	Dia. x Height mm.	Freight vol. m ³	Volume 40°C water	Thermostat setting °C
11015508	SD020SASNO EPWXLEU	3.5	53	ø595 x 1270	0,48	-	70
11015509	SD025SASNO EPWXLEU	4.5	60	ø595 x 1540	0,57	-	70
11015510	SD030SASNO EPWXLEU	5.5	69	ø595 x 1750	0,64	-	70

The products are classified as IP21.

2.5 ErP data - Technical Data Sheet

Brand	LG Model no.	Model name	Actual volume L	Heat loss W	ErP Rating
LG Electronics	11015508	SD020SASNO EPWXLEU	191	53	B
LG Electronics	11015509	SD025SASNO EPWXLEU	245	62	B
LG Electronics	11015510	SD030SASNO EPWXLEU	284	68	B

Regulation: 2017/1369/EU - Regulation: EU 812/2013 | Directive: 2009/125/EC - Regulation: EU 814/2013

Heat loss tested acc. to standard EN 12897:2016

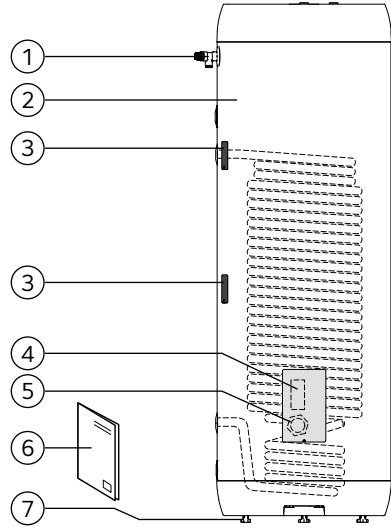
3. INSTALLATION INSTRUCTIONS

3.1 Products covered by these instructions

SD020SASNO EPWXLEU
 SD025SASNO EPWXLEU
 SD030SASNO EPWXLEU

3.2 Included in delivery

Ref no.	Number of	Description
1	1	PT safety valve
2	1	Hot water heater with built-in coil
3	2	Sensor slot
4	1	Thermostat
5	1	Heating element
6	1	Installation manual (this document)
7	3	Feet (factory-fitted)



3.3 Product dimensions

All dimensions in mm.

Product	A	B	I		∅
SD020SASNO	0-40	1270	675		595
SD025SASNO	0-40	1540	675		595
SD030SASNO	0-40	1750	675		595

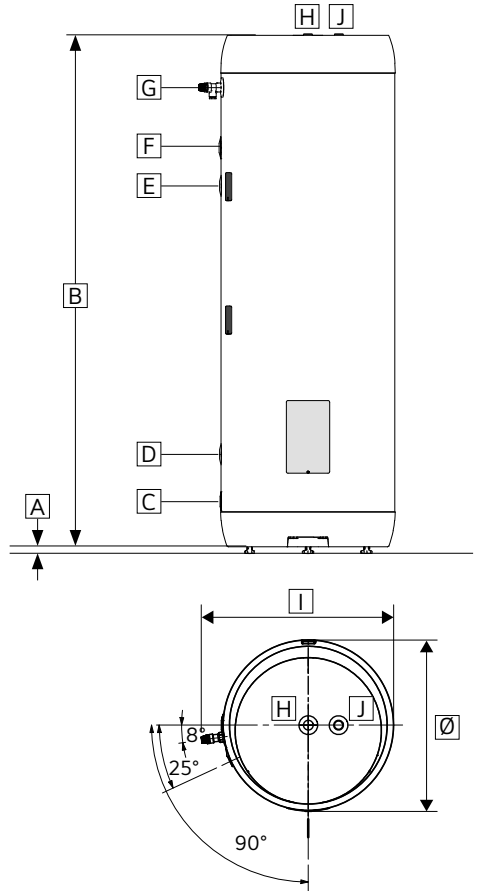
Tolerance +/- 5 mm (not dimension A).

3.3.1 Connection heights

All dimensions in mm.

Product	C	D	E	F	G	H & J
SD020SASNO	155	316	926	926	1087	1087
SD025SASNO	155	316	926	1191	1357	1357
SD030SASNO	155	316	1231	1361	1567	1567

Tolerance +/- 5 mm.

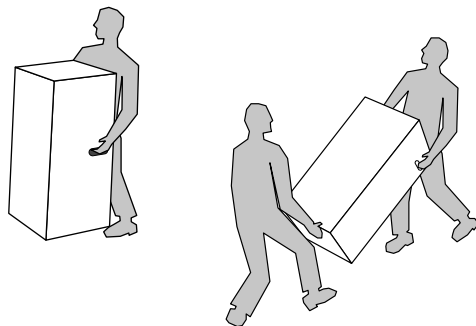


3.3.2 Delivery

The product should be transported carefully as shown, with packaging. Use the handles in the box.

⚠ CAUTION

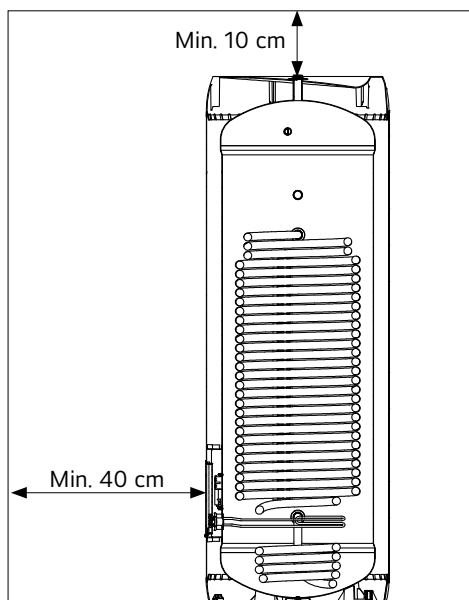
Pipe stubs, valves etc. should not be used to lift the product as this could cause malfunctions.



3.4 Requirements for installation location and positioning

⚠ CAUTION

❶	The product must be placed in a room with a floor drain. The manufacturer assumes no responsibility whatsoever if this provision is not followed.
❷	The product shall be placed in a dry and permanently frost-free position.
❸	The product shall be placed on a floor or wall suitable for the total weight of the product when in operation. See type plate.
❹	The product must have a clearance for servicing of 40 cm in front of the electric cover / 10 cm over the highest point.
❺	The product must be easily accessible in the home for servicing and maintenance.



3.5 Pipe installation

The product is designed to be permanently connected to the mains water supply. Approved pipes of the correct size should be used for installation. The relevant standards and regulations must be followed.

3.5.1 Connections - dimensions and function

Connection	Dimension	Function
A	G3/4" F	Anode (optional, not supplied)
B	G3/4" F	Cold water in
C	G3/4" F	Coil connection, RETURN
D	G3/4" F	Hot water circulation
E	G3/4" F	Coil connection, FLOW
F	G3/4" F	Hot water out
G	∅6 / 8 mm	Sensor slot
H	G1/2" F	Safety valve P&T (supplied)

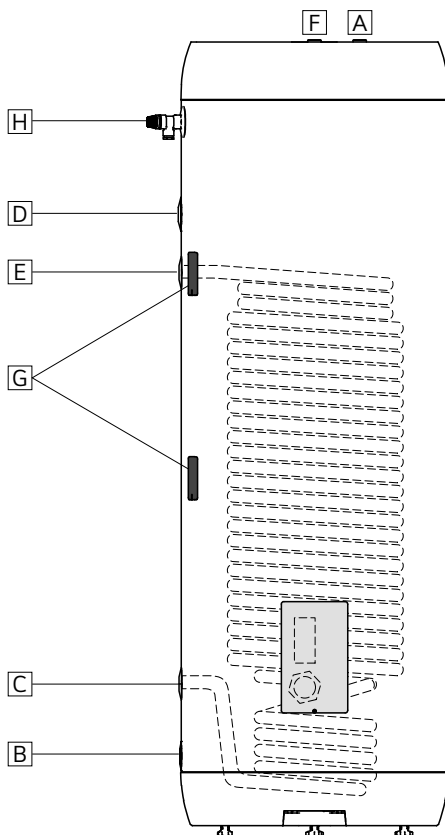
3.5.2 Incoming water pressure

The efficiency of the product depends on the incoming cold water pressure. The water pressure should be min. 2 bar and max. 6 bar throughout the day. Excessive water pressure can be adjusted by installing a pressure reduction valve.

3.5.3 Connecting pipes

Pipes of suitable size and quality should be run to the connections on the product and fixed with a suitable sealant.

A safety valve (see pt. 2.3) suitable for the installed effect in accordance with current local regulations shall be fitted in the heating circuit (not supplied).



3.5.4 Pressure drop table - coil

Product info:		Pressure drop (mbar) at volume flow:							Cw value (m³/h):
Product	Coil surface m²	540 L/h (0,15L/s)	900 L/h (0,25 L/s)	1800 L/h (0,50 L/s)	2700 L/h (0,75 L/s)	3600 L/h (1,00L/s)	4500 L/h (1,25 L/s)	5400 L/h (1,50 L/s)	Flow @ 1bar pressure drop
SD020SASNO	2.6	28	76	288	573	1001	1494	2120	3.9
SD025SASNO	2.6	28	76	288	573	1001	1494	2120	3.9
SD030SASNO	3.1	35	81	306	619	1081	1619	2321	3.8

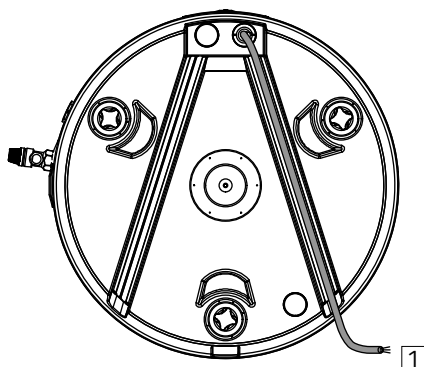
3.5.5 Fitting instructions

⚠ WARNING	
❗	The product must be filled with water before the power is switched on.
❗	The discharge pipe from any safety device shall be at least one pipe size larger than the nominal outlet size of the safety device (< 9m length). The discharge pipe must have continuous fall to drain, be uninterrupted and frost-free at all times.

⚠ CAUTION	
❗	The product must be placed in a room with a floor drain. The manufacturer assumes no responsibility whatsoever if this provision is not followed.
❗	The product must be properly aligned vertically and horizontally, on a floor or wall suitable for the total weight of the product when in operation. See type plate.
❗	The product must have a clearance for servicing of 40 cm in front of the electric cover / 10 cm over the highest point.


3.5.6 Fitting recommendation

RECOMMENDATION	
-	Allow clearance to the floor. Unscrew the feet a minimum of 15 mm out from the bottom of the product.
-	Mains power supply cable (1) should be hidden under one of the channels in the bottom of the product, as shown in illustration.
-	If a non-return valve is fitted a reduction valve and expansion vessel should be fitted to prevent dripping from the safety valve.
-	If the maximum water pressure exceeds 6 bar in a 24-hour period a reduction valve and expansion vessel should be fitted.



3.6 Electrical installation

The electrical supply to the heater must be done in accordance with current local regulations and best practice by a qualified electrician. The product is intended for permanent supply.

 WARNING
Constant voltage present at terminals L and N. Before any electrical work is done, the power supply must be disconnected and secured against activation while the work is in progress.

3.6.1 Electrical components

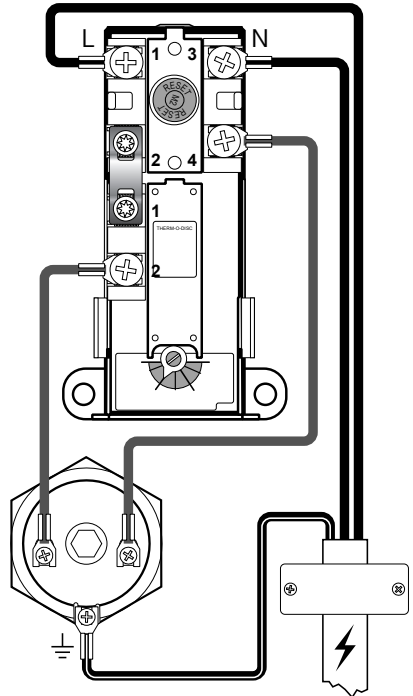
Component	Note
Safety thermostat	85°C safety cut-off
Working thermostat	50-75°C adjustable
Heating element	2.8 kW - 1-phase 230V
Power supply cable	Heat resistant to 90°C
Internal wires	Heat resistant

3.6.2 Electrical connections in the junction box

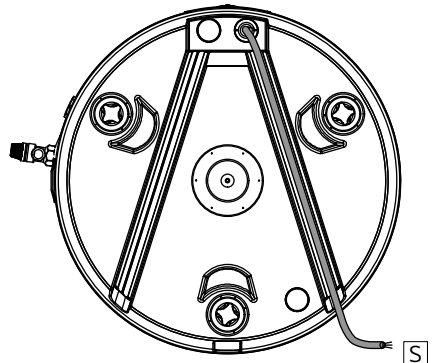
- A) Live wire (L) connected to point 'A' on the thermostat.
- B) Neutral wire (N) connected to point 'B' on the thermostat.
- C) Yellow wire with green stripe – Earth – connected to the terminal for the heating element (hexagonal brass)

3.6.3 Torque settings

Component	Torque
G1.1/4" external - heating element	60 Nm (+/- 5)
Thermostat screws (A and B)	2 Nm (+/- 0.1)
Earth screw on the element head	2 Nm (+/- 0.1)



Electric connection, schematic



3.6.4 Fitting instructions

⚠ WARNING	
❶	The product must be filled with water before the power is switched on.
❷	The electrical supply to the heater shall be done in accordance with current local regulations and best practice by a qualified electrician. The product is intended for permanent supply.
❸	The mains power supply cable must withstand 90°C. A strain reliever shall be fitted.

⚠ CAUTION	
❶	The product must have a clearance for servicing of 40 cm in front of the electric cover / 10 cm over the highest point.
❷	If the mains power supply cable is damaged, it must be replaced with cable of a quality that meets the requirements of the installation. The cable must be replaced by a qualified electrician.

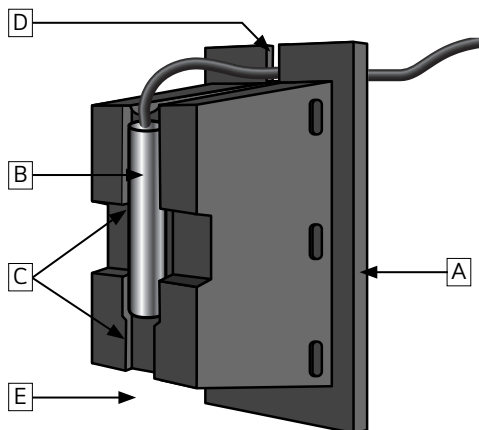
3.6.5 Fitting recommendation

RECOMMENDATION	
-	The mains power supply cable (S) should be hidden under one of the channels in the bottom of the product, as shown in illustration on previous page.
-	For products with $\leq 2\text{kW}$ capacity, a $> 10\text{A}$ fuse / $> 1.5\#$ wire shall be used. For products with $\leq 3\text{kW}$ capacity, a $> 15\text{A}$ fuse / $> 2.5\#$ wire must be used.

3.6.6 Temperature sensor installation

The product is equipped with a temperature sensor bracket which allows installation of a 6 or 8 mm. temperature sensor. To install the temperature sensor follow the instructions below.

1. Remove temperature sensor bracket (A) from tank body by gripping it and pulling straight out.
2. Insert temperature sensor (B) firmly into the appropriate grooves in the sensor bracket and place the temperature sensor cable in the cable slot (D). An 8 mm. sensor (shown) fits in the upper groove (C) while a 6 mm. sensor fits in the lower groove (E).
3. Refit the sensor bracket into the tank body, ensuring the bracket is inserted fully to establish proper contact between the sensor and the stainless steel inner tank surface. Make sure the sensor cable is positioned properly in the cable slot (D) to avoid potential damage to the cable.



4. INITIAL COMMISSIONING

4.1 Filling with water

First check that all pipes are connected correctly. Then proceed as follows:

- A) Open a hot tap – leave it open
 - B) Open the cold water supply to the product. Check that the water from the open hot water tap is flowing freely, without any air locks. Close hot tap.
- Filling/emptying coil: Follow the instructions for an external heat source.

4.2 Turning on the power

When the cylinder has been filled with water, the power can be switched on.

4.3 Control points

- A) Check that all pipe connections to/from the product are tight and not leaking.
- B) Check that the power supply to the product is not at risk of exposure to mechanical, thermal or chemical damage.
- C) Check that any overflow pipe from the safety valve is clear, undamaged and frost-free with a fall to the drain.
- D) Check that the product is standing firmly vertically and horizontally.

4.4 Emptying of water

⚠ WARNING

The water temperature in the product may exceed 75°C and could cause scalding. Before emptying, a hot tap should be opened to max. pressure/temperature for min. 3 minutes.

- A) Disconnect the power supply.
- B) Shut off incoming cold water supply.
- C) Open a hot tap to the maximum and leave open (prevents vacuum).
- D) Disconnect the pipes for the cold water feed (D) to the product. Product emptied.

Before the product is filled up again, the pipe for the cold water supply must be reattached to the connection (D) with a suitable sealant. Check that the connection is tight after the product is in operation.

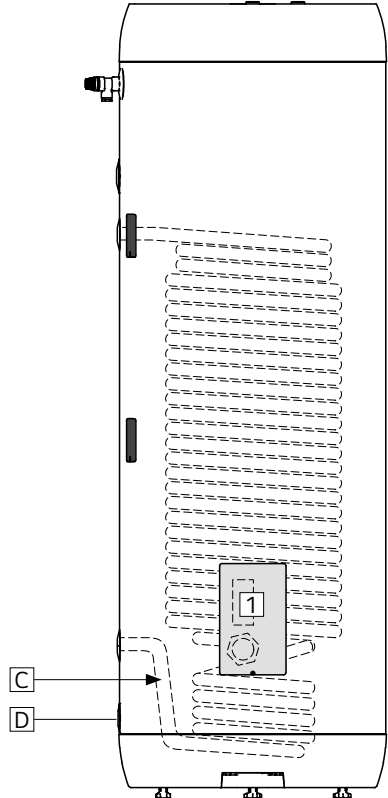
4.4.1 Emptying the coil

Follow the instructions for the external heat source when emptying this. Then disconnect the return pipe from the coil. The coil is emptied via the lower connection. Note: The coil has a riser (C) from the lowest point, where liquid is collected. To empty the coil completely compressed air has to be applied to the upper coil connection to drain off all the liquid.

4.5 Handover to end-user

THE INSTALLER MUST:

- Brief the end-user on safety and maintenance instructions.
- Brief the end-user on settings and emptying the product.
- Hand this installation manual over to the end-user.
- Enter contact details on the type plate on the product..



5. SETTINGS

5.1 Settings

5.1.1 Thermostat setting

The thermostat on the product is adjustable from 50-75°C. The thermostat shall not be set lower than 60°C to prevent bacteria growth. To adjust the temperature:

- A) Disconnect the power supply.
- B) Remove the cover (1) with a screwdriver.
- C) Adjust the temperature on the thermostat with the adjustment dial (3).
- D) The thermostat is adjustable from 50-75°C. Refit the cover (1) before connecting the power supply.

5.1.2 Resetting the safety thermostat

The safety thermostat on the product cuts out when there is a risk of overheating. This is reset by removing the cover (1) and pressing the 'Safety' button (2). If the thermostat cuts out repeatedly, contact the installer.

5.1.3 Adjusting the feet

The product is equipped with three factory-fitted feet, adjustable from 0-40 mm. Unscrew the feet a minimum of 15 mm from the bottom of the product. Adjust the feet individually until the product is standing firmly vertically and horizontally.

5.2 Maintenance

All components of the product must be inspected annually by a person over the age of 18 with sufficient knowledge. The annual inspection includes:

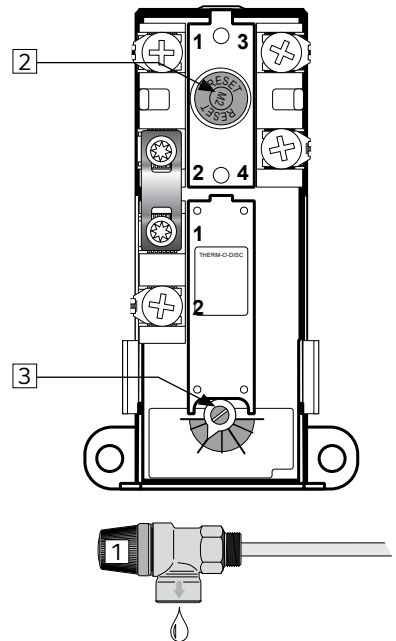
- Checking that all connections and pipe fittings are tight and not leaking.
- Tightening all connections in the electric junction box:

- A) Turn off power supply to the product and secure against activation while work is in progress.
- B) Remove junction box cover (1) and tighten all connections, see torque settings in table 3.6.4.
- C) Refit junction box cover (1) before turning power back on.

- Annual inspection of the safety valve must be performed according to procedure below.

⚠ WARNING

Constant voltage present in the junction box. Before any electrical work is done, the power supply must be disconnected and secured against activation while the work is in progress.



MAINTENANCE INSTRUCTIONS

!	Annual inspection of safety valve:
-	Open valve for 1 min. by turning the knob (1) counterclockwise to the open position.
-	Visually check that the water is flowing freely to the drain.
-	YES = OK. Close the valve by turning knob (1) further clockwise until valve shuts.
-	NO = NOT OK. Disconnect power supply / shut off water supply. Contact installer.

6. TROUBLESHOOTING

6.1 Faults and fixes

If problems arise when the product is in use, check for possible faults and fixes in the table. If the problem is not shown in the troubleshooting table or you are unsure what is wrong, contact the in-

staller (see type plate on the product) or LG Electronics - see section 7.1.

TROUBLESHOOTING		
Problem	Possible cause of fault	Possible solution
No hot water	Power supply interrupted.	Check that the fuse is set and the earth breaker has not tripped.
	Thermostat has cut out.	Press the 'Safety' button on the safety thermostat; see 'User guide'.
	Heating element is defective	Replace heating element. Contact authorized installer.
	Leak in hot water pipe	Verify as follows: a) close all hot water taps, b) wait 2-3 hours, c) feel the hot water outlet pipe to see whether it is hot. If so, there is a leak in the hot water pipe or elsewhere. Contact authorized installer.
There is leakage/dripping from the safety valve/there is often water on the floor by the cylinder in the morning	Pressure reduction valve, water meter or blocked non-return valve on the water intake. Water pressure into the home is too high.	Fit AX expansion vessel with absorbs expansion during heating, and fit pressure reduction valve for stable water pressure inside the home. The pressure reduction valve is adjusted in according to the pressure in the expansion vessel. Contact authorized installer.
	The safety valve is worn or there are particles stuck between the membrane and the valve seat because the water is dirty	Try to flush with water through the safety valve. Open valve for approx. 1 minute. If the valve still leaks, it shall be replaced. Contact authorized installer.
	Leak from heating element.	Verify as follows: a) cut the electric supply, b) unscrew the cover, c) visually check whether there is a leak from the heating element. If so, replace the gasket/heating element. Contact authorized installer.
Not enough hot water	High consumption in the home.	Raise the temperature on the thermostat to 75°C; see 'User guide'. Switch to a larger LG water heater. Contact authorized installer.
Not high enough temperature	The thermostat is set for low temperatures.	Raise the temperature on the thermostat to 75°C; see 'User guide'.
	Change from cold to hot water in taps.	Contact authorized installer.
Fuse/earth breaker trips repeatedly	Possible fault in the heater's electrical system.	Verify as follows: a) cut the electric supply, b) unscrew the cover, c) visually check the junction box for any problems. If so, contact authorized installer to check. Fit the cover.
Long time before the water reaches the tap	Long stretch of pipe from water heater to tap.	Fit circulation wire or heating cable to HW pipe. Or fit an auxiliary heater by the tap. Contact authorized installer.
Knocking in the pipes when the hot tap is closed	Large pressure increase when the tap is closed quickly.	Completely normal. Fit AX expansion vessel if troublesome. Contact authorized installer.

7. WARRANTY CONDITIONS

1. Scope

LG Electronics (hereinafter called LG) warrants that the Product will: i) conform to LG specification, ii) be free from defects in materials and workmanship, subject to conditions below. All components carry a warranty.

See local warranty conditions for further information. The conditions and limitations set out below must apply.

2. Coverage

If a defect arises and a valid claim is received within the statutory warranty period, at its option and to the extent permitted by law, LG shall either; i) repair the defect, or; ii) replace the product with a product that is identical or similar in function, or; iii) refund the purchase price.

If a defect arises and a valid claim is received after the statutory warranty period has expired, but within the extended warranty period, LG will supply a product that is identical or similar in function. LG will in such cases not cover any other associated costs.

Any exchanged Product or component will become the legal property of LG. Any valid claim or service does not extend the original warranty. The replacement Product or part does not carry a new warranty.

3. Conditions

The Product is manufactured to suit most public water supplies. However, there are certain water chemistries (outlined below) that can have a detrimental effect on the Product and its life expectancy. If there are uncertainties regarding water quality, the local water supply authority can supply the necessary data.

The warranty applies only if the conditions set out below are met in full:

The Product has been installed by a professional installer, in accordance with the instructions in the installation manual and all relevant Codes of Practice and Regulations in force at the time of installation.

The Product has not been modified in any way, tampered with or subjected to misuse and no factory fitted parts have been removed for unauthorized repair or replacement.

The Product has only been connected to a domestic mains water supply in compliance with the European Drinking Water Directive EN 98/83 EC, or latest version. The water shall not be aggressive, i.e. the water chemistry shall comply with the following:

- Chloride < 250 mg / L
- Electric Conductivity (EC) @25°C < 750 uS / cm
- Saturation Index (LSI) @80°C > - 1,0 / < 0,8
- pH level > 6,0 / < 9,5

The immersion heater has not been exposed to hardness levels exceeding 10°dH (180 ppm CaCO₃). A water softener is recommended in such cases.

Any disinfection has been carried out without affecting the Product in any way whatsoever. The Product shall be isolated from any system chlorination.

The Product has been in regular use from the date of installation. If the Product is not intended to be used for 60 days or more, it shall be drained.

Service and/or repair shall be done according to the installation manual and all relevant codes of practice. Any replacement parts used shall be original LG spare parts.

Any third-party costs associated with any claim has been authorized in advance by LG in writing.

The purchase invoice and/or installation invoice, a water sample as well as the defective product is made available to LG upon request.

Failure to follow these instructions and conditions may result in product failure, and water escaping from the Product.

4. Limitations

The warranty does not cover:

Any fault or costs arising from incorrect installation, incorrect application, lack of regular maintenance in accordance with the installation manual, neglect, accidental or malicious damage, misuse, any alteration, tampering or repair carried out by a non-professional, any fault arising from the tampering with or removal of any factory fitted safety components or measures. Any consequential damage or any indirect loss caused by any

failure or malfunction of the Product whatsoever.

Any pipework or any equipment connected to the Product.

The effects of frost, lightning, voltage variation, lack of water, dry boiling, excess pressure or chlorination procedures.

The effects of stagnant (de-aerated) water if the Product has been left unused for more than 60 days consecutively.

Damage caused during transportation. Buyer shall give the carrier notice of such damage.

Costs arising if the Product is not immediately accessible for servicing.

These warranties do not affect the Buyer's statutory rights.

7.1 Customer service

In case of problems that cannot be resolved with the aid of the troubleshooting guide in this installation manual, contact either:

- A) The installer who supplied the product.
- B) OSO Hotwater AS: Tel.: +47 32 25 00 00
oso@oso.no / www.oso.no

8. REMOVING THE PRODUCT

8.1 Removal

- A) Disconnect the power supply.
- B) Shut off incoming cold water supply.
- C) Empty the product of water – see section 4.4.
- D) Disconnect all pipes.
- E) The product can now be removed.

8.2 Returns scheme

This product is recyclable and shall be taken to the environmental recycling centre. If the product is to be replaced with a new one, the installer can take the old cylinder away for recycling.



Factory: OSO Hotwater AS
Industriveien 1, 3300 Hokksund - Norway
Tel: +47 32 25 00 00
oso@oso.no
www.osohotwater.com

LG Electronics Inc. Single Contact Point(EU) :
LG Electronics Deutschland GmbH
Alfred-Herrhausen-Allee 3-5, 65760 Echborn, Germany

LG Electronics Inc.
LG Twin Towers 128 Yeoui-daero, Yeongdeungpo-gu Seoul, 07336, Korea