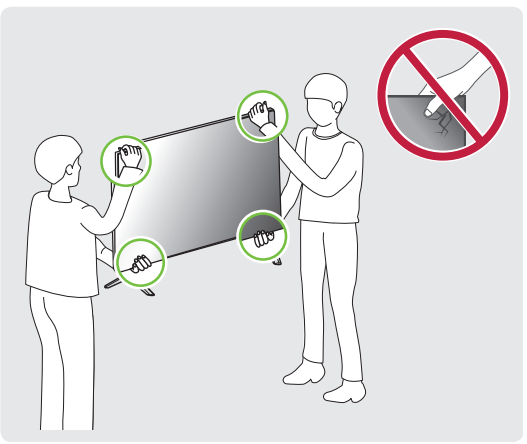
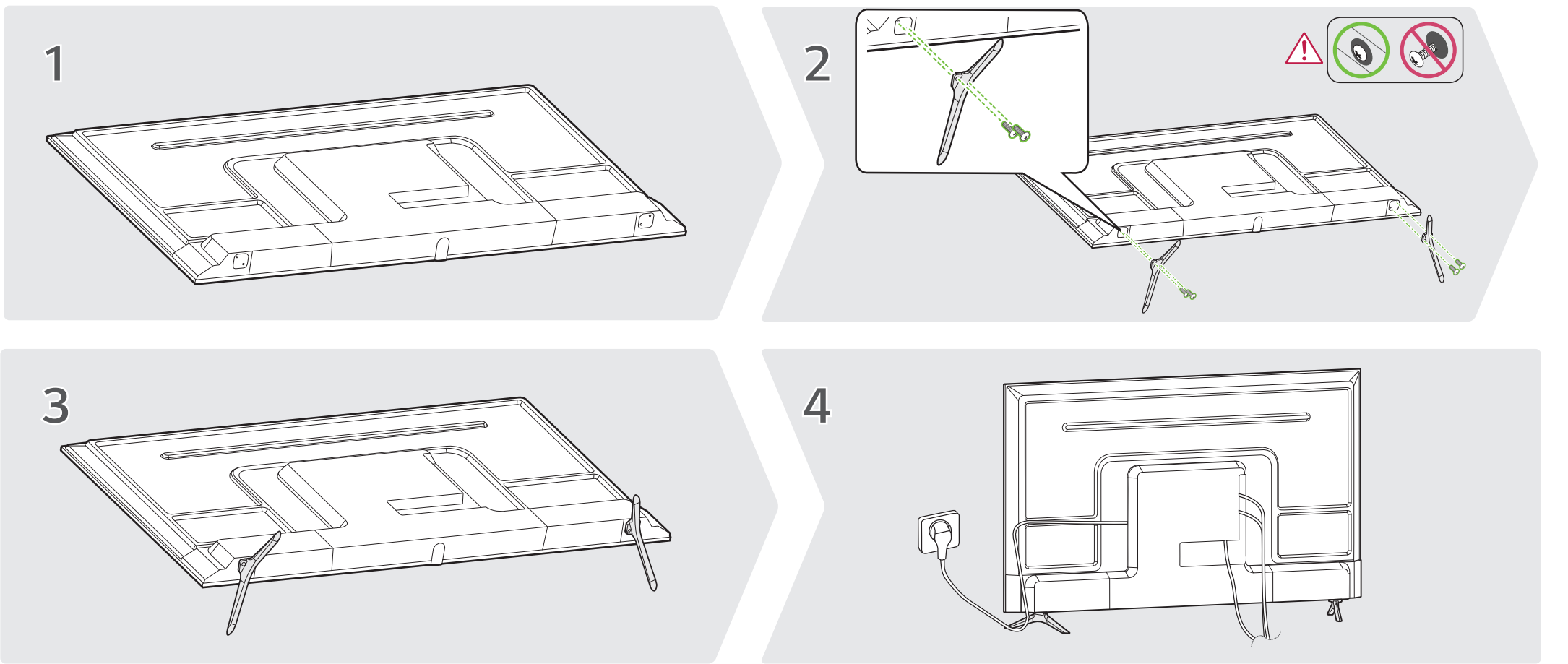
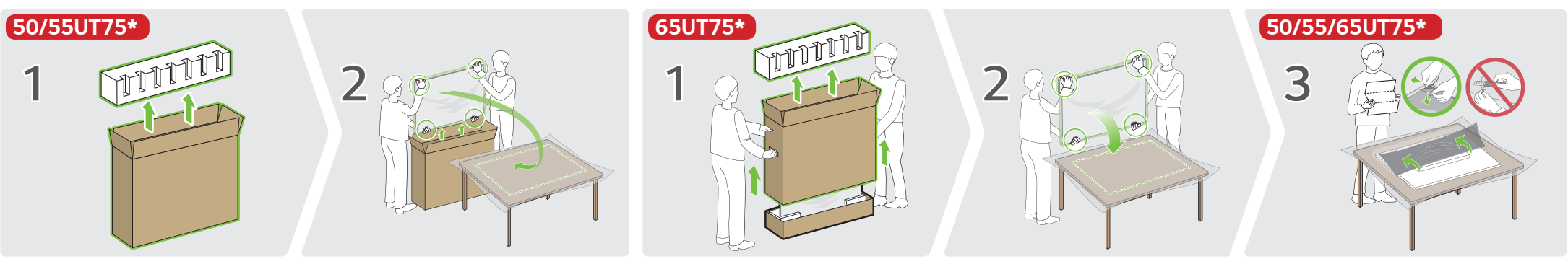
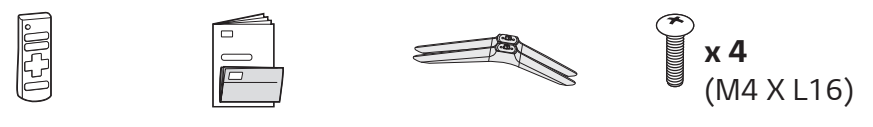
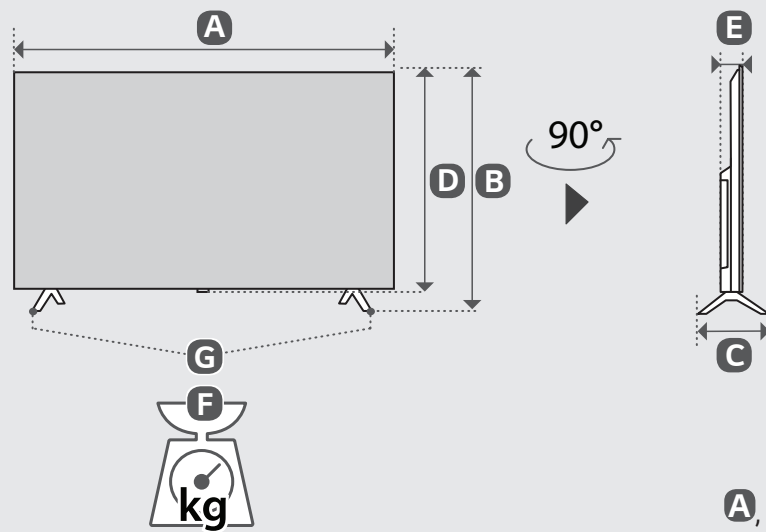
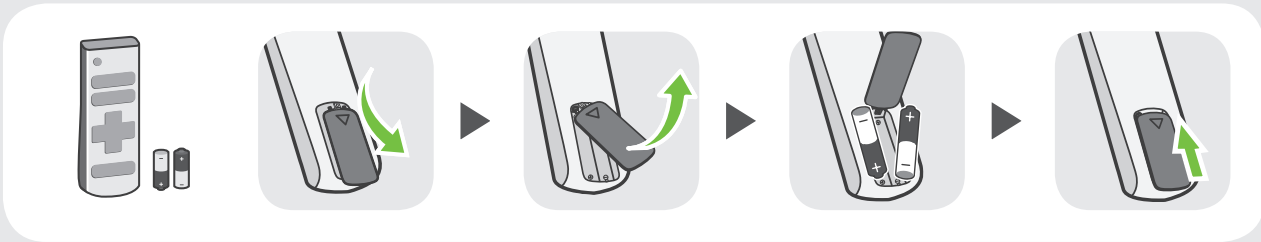
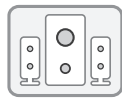
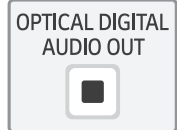
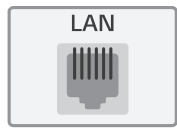




50UT75*
55UT75* 65UT75*

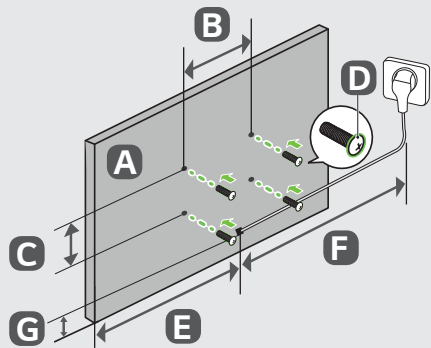




A, B, C, D, E : mm (inches / pulgadas)
F, G : kg (lbs / libras)

MODELS MODELOS	A		B		C		D		E		F		F - G		Power consumption Consumo de potencia
	mm	(inches)	mm	(inches)	mm	(inches)	mm	(inches)	mm	(inches)	mm	(inches)	mm	(inches)	W
50UT75*	1,111 (43.7)	1 111 (43,7)	698 (27.4)	698 (27,4)	257 (10.1)	257 (10,1)	646 (25.4)	646 (25,4)	69.8 (2.7)	69,8 (2,7)	8.8 (19.4)	8,8 (19,4)	8.7 (19.1)	8,7 (19,1)	128 W
55UT75*	1,226 (48.2)	1 226 (48,2)	763 (30.0)	763 (30,0)	257 (10.1)	257 (10,1)	712 (28.0)	712 (28,0)	69.8 (2.7)	69,8 (2,7)	10.5 (23.1)	10,5 (23,1)	10.4 (22.9)	10,4 (22,9)	148 W
65UT75*	1,446 (56.9)	1 446 (56,9)	891 (35.0)	891 (35,0)	303.5 (11.9)	303,5 (11,9)	835 (32.8)	835 (32,8)	69.8 (2.7)	69,8 (2,7)	15 (33.0)	15 (33,0)	14.8 (32.6)	14,8 (32,6)	175 W
Power requirement / Alimentación requerida									AC 110-240 V~ 50/60 Hz						

mm / m (inches / pulgadas)



A	B x C (mm)		D	E (mm)		F (m)		G (mm)	
50UT75*	200 x 300 (7.8 x 11.8)	200 x 300 (7,8 x 11,8)	M6	373 (14.6)	373 (14,6)	≥1.5 (59.0)	≥1,5 (59,0)	221 (8.7)	221 (8,7)
55UT75*				410 (16.1)	410 (16,1)			245 (9.6)	245 (9,6)
65UT75*				520 (20.4)	520 (20,4)			245 (9.6)	245 (9,6)

* : 0-9, A-Z