


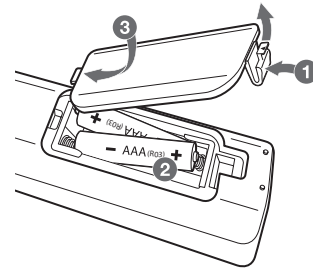
## Additional Information

### Specifications

Power Requirements	Refer to the main label on the unit.
Power Consumption	Refer to the main label on the unit.
Dimensions (W x H x D)	Approx. 300 mm x 163 mm x 241 mm
Bus Power Supply (USB)	5 V  500 mA
Amplifier (Total RMS output power)	300 W RMS

Design and specifications are subject to change without notice.

### Replacement of battery



ENGLISH

SIMPLE MANUAL

# Mini Hi-Fi System

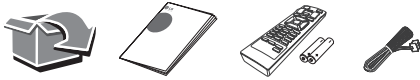
Please read this manual carefully before operating your set and retain it for future reference. To view the instructions of advanced features, visit <http://www.lg.com> and then download Owner's Manual. Some of the content in this manual may differ from your unit.

MODEL  
CK43N

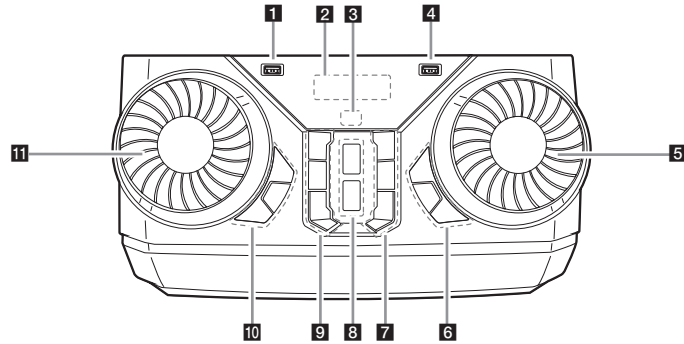


MFL72041309  
2307\_Rev01

[www.lg.com](http://www.lg.com)  
Copyright © 2024 LG Electronics Inc. All Rights Reserved.

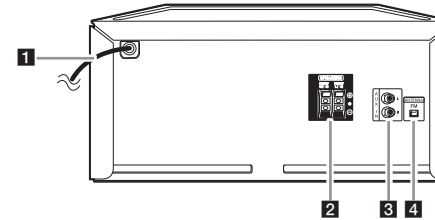


## Front Panel



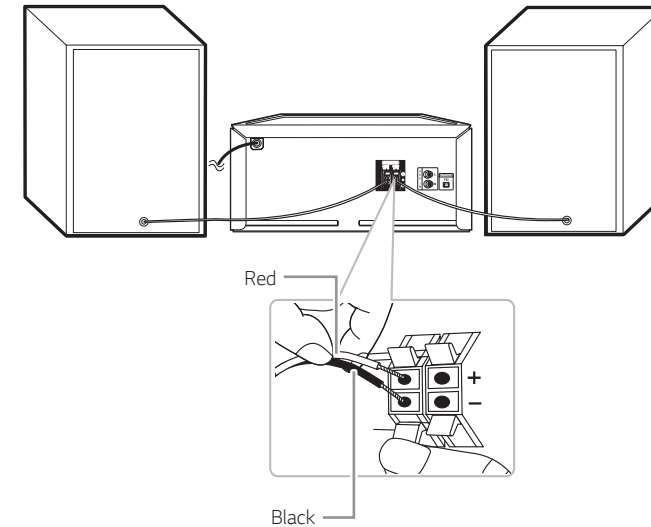
- 1** USB 1 Port  
You can play sound files by connecting the USB device.
- 2** Display window
- 3** (Remote sensor)
- 4** USB 2 Port  
You can play sound files by connecting the USB device.
- 5** MASTER VOL. (Volume)  
Adjust speaker volume.
- 6** BASS BLAST (or BASS BLAST+)  
Press to select BASS (or BASS+) effect directly.  
**USB REC / DEMO**  
- Records to USB.  
- To stop Recording, press and hold for 3 seconds.  
- In power off status, if you press **USB REC / DEMO**, show DEMO mode.
- 7** (Function)  
Selects the function and input source.  
**▶▶** (Skip/Search)  
- Skips forward.  
- Searches for a section within a file.  
- Selects the radio stations.
- 8** AUTO DJ  
Selects the AUTO DJ mode.  
**⏮** (Play/Pause)  
- Starts or pauses playback.  
- Selects stereo/mono.
- 9** (Standby)  
Turns the power on or off.  
**⏪** (Skip/Search)  
- Skips backward.  
- Searches for a section within a file.  
- Selects the radio stations.  
**⏹** (Stop)  
Stops playback or cancels DELETE function.
- 10** SPECIAL EQ  
Chooses special equalizer.  
**SEARCH**  
Moves to folder or file in selection mode.  
**OK**  
Selects a folder when searching a file.
- 11** EQUALIZER / SEARCH  
- Chooses sound impressions.  
- Searches a folder or a file.

## Rear Panel



- 1** Power cord
- 2** SPEAKERS terminals
- 3** AUX IN (L/R)  
Connect an auxiliary device.
- 4** ANTENNA (FM)

## Speaker Connection



### Controller App



Download the **LG XBOOM** App to your device.  
(Android only)

### LG Sound Sync (Wireless)



For more information, download the online owner's manual. <http://www.lg.com>