



www.lg.com



Printed in Korea
Imprimé en Corée

43NANO80A* 55NANO83A* 75NANO80A*
50NANO80A* 65NANO80A* 75NANO83A*
55NANO80A* 65NANO82A* 86NANO80A*
55NANO82A* 65NANO83A*



<p>43"</p>	<p>50/55"</p> <p>NANO80A*, NANO83A* NANO82A*</p>	<p>65"</p> <p>NANO80A*, NANO83A* NANO82A*</p>
<p>75"</p>	<p>86"</p>	

43/50/55" **65/75"** **86"** **43/50/55/65/75/86"** **3**

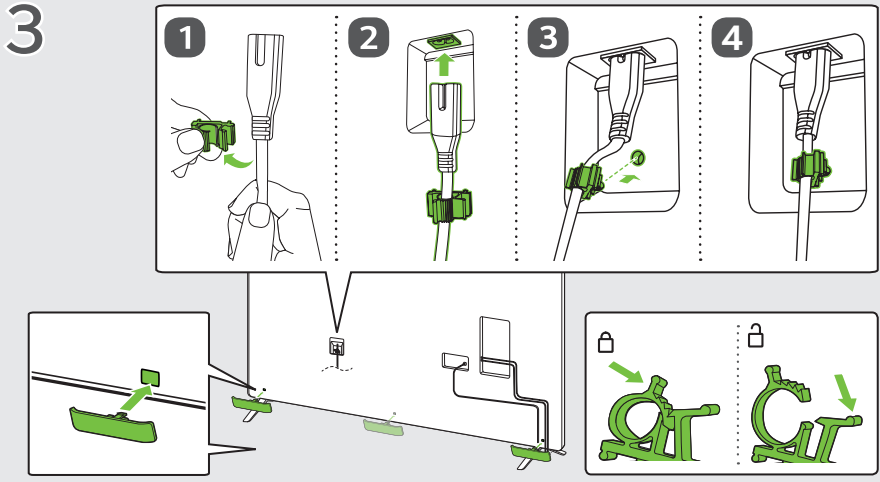
43" **50/55/65"** **50/55NANO80A*, 55NANO83A***

55NANO82A* **65NANO80A*, 65NANO83A*** **65NANO82A***

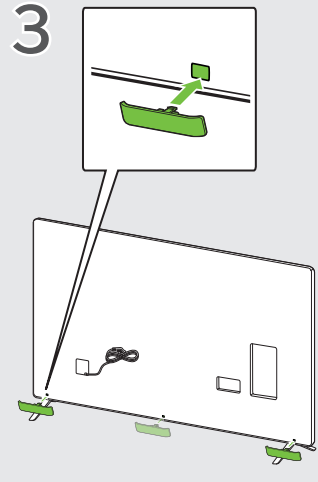
75/86" **43/50/55/65/75/86"**



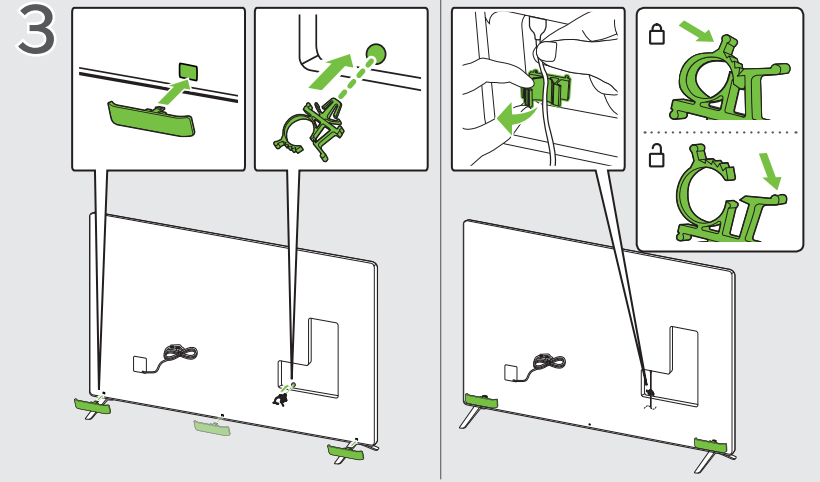
43/50/55/65"



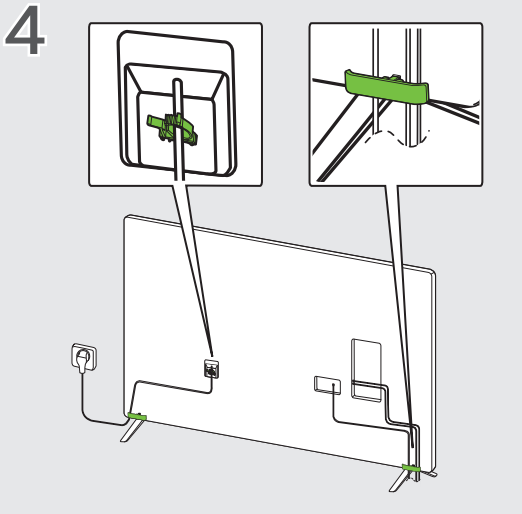
75"



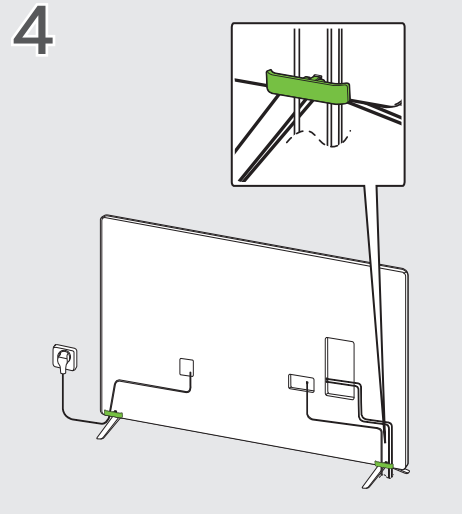
86"



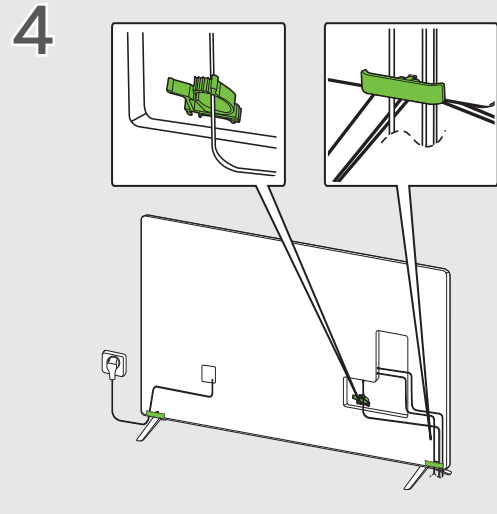
43/50/55/65"



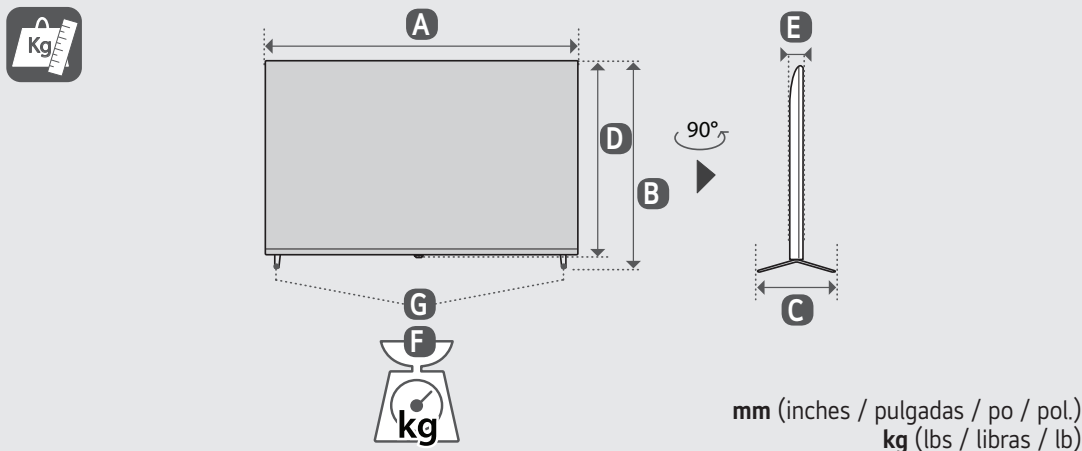
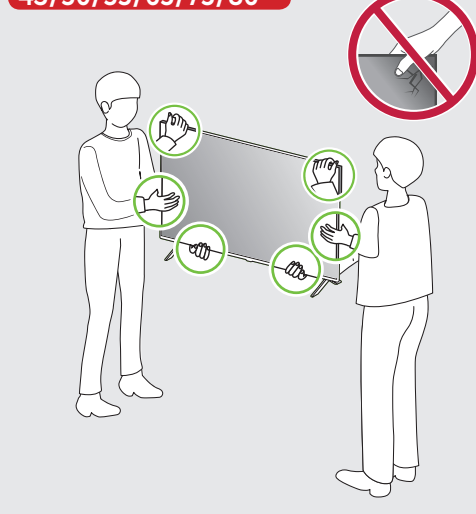
75"



86"

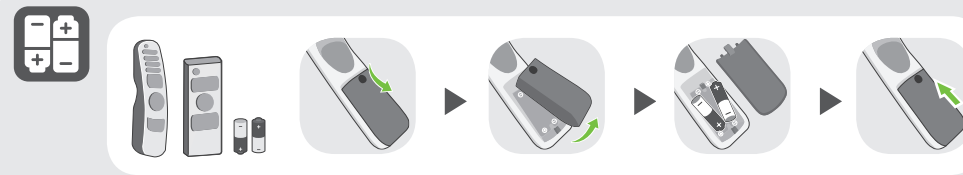


43/50/55/65/75/86"



mm (inches / pulgadas / po / pol.)
kg (lbs / libras / lb)

	A	B	C	D	E	F	F-G	⚡
43NANO80A*	967 mm (38.0) inches	621 mm (24.4) inches	200 mm (7.8) inches	564 mm (22.2) inches	57.1 mm (2.2) inches	8.9 kg (19.6) lbs	8.8 kg (19.4) lbs	115 W
50NANO80A*	1121 mm (44.1) inches	716 mm (28.1) inches	230 mm (9.0) inches	651 mm (25.6) inches	57.1 mm (2.2) inches	11.8 kg (26.0) lbs	11.7 kg (25.7) lbs	135 W
55NANO80A*	1235 mm (48.6) inches	780 mm (30.7) inches	230 mm (9.0) inches	715 mm (28.1) inches	57.5 mm (2.2) inches	14.1 kg (31.0) lbs	14.0 kg (30.8) lbs	160 W
55NANO82A*	1235 mm (48.6) inches	776 mm (30.5) inches	231 mm (9.0) inches	715 mm (28.1) inches	57.5 mm (2.2) inches	14.2 kg (31.3) lbs	14.0 kg (30.8) lbs	160 W
65NANO80A*	1454 mm (57.2) inches	903 mm (35.5) inches	269 mm (10.5) inches	838 mm (32.9) inches	57.7 mm (2.2) inches	21.7 kg (47.8) lbs	21.5 kg (47.3) lbs	190 W
65NANO83A*	1454 mm (57.2) inches	906 mm (35.6) inches	269 mm (10.5) inches	838 mm (32.9) inches	57.7 mm (2.2) inches	21.7 kg (47.8) lbs	21.4 kg (47.1) lbs	190 W
75NANO80A*	1678 mm (66.0) inches	1027 mm (40.4) inches	361 mm (14.2) inches	964 mm (37.9) inches	59.9 mm (2.3) inches	31.8 kg (70.1) lbs	31.4 kg (69.2) lbs	220 W
75NANO83A*	1678 mm (66.0) inches	1027 mm (40.4) inches	361 mm (14.2) inches	964 mm (37.9) inches	59.9 mm (2.3) inches	31.8 kg (70.1) lbs	31.4 kg (69.2) lbs	220 W
86NANO80A*	1927 mm (75.8) inches	1167 mm (45.9) inches	362 mm (14.2) inches	1104 mm (43.4) inches	59.9 mm (2.3) inches	45.9 kg (101.1) lbs	45.2 kg (99.6) lbs	320 W



SORTIE AUDIO NUMÉRIQUE OPTIQUE

OPTICAL DIGITAL AUDIO → [Icon of optical audio cable]

LAN → [Icon of LAN cable]

ANT → [Icon of antenna]

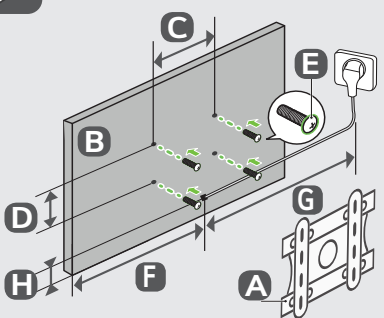
USB → [Icon of USB cable]

HDMI → [Icon of HDMI cable]

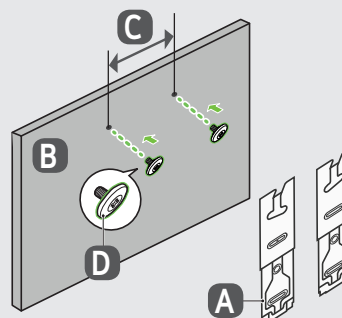
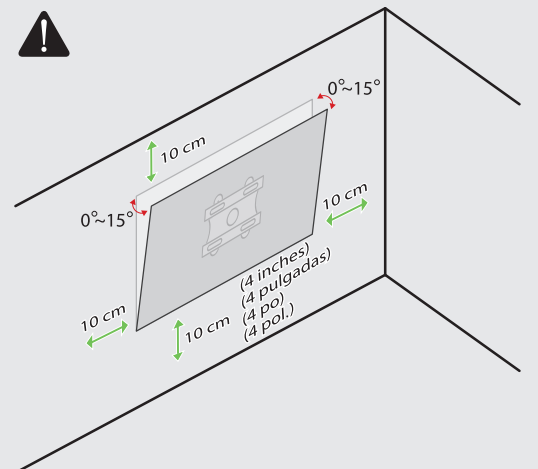
HDMI eARC/ARC → [Icon of HDMI eARC/ARC cable]



mm (inches / pulgadas / po / pol.)



	A	B	C x D	E	F	G	H
LSW240B MSW240	43NANO80A*	200 x 200 mm (7.8 x 7.8) inches	M6	306 mm (12.0) inches	214 mm (8.4) inches	≥ 1.5 m (59.0) inches	214 mm (8.4) inches
							384 mm (15.1) inches
WB24GCB MSW240	55NANO80A*	300 x 300 mm (11.8 x 11.8) inches	M6	371 mm (14.6) inches	230 mm (9.0) inches	≥ 1.5 m (59.0) inches	230 mm (9.0) inches
	55NANO82A*						240 mm (9.4) inches
	55NANO83A*						240 mm (9.4) inches
WB24GCB	65NANO80A*	300 x 300 mm (11.8 x 11.8) inches	M6	480 mm (18.8) inches	240 mm (9.4) inches	≥ 1.5 m (59.0) inches	240 mm (9.4) inches
	65NANO82A*						212 mm (8.3) inches
WB24GCB	75NANO80A*	400 x 400 mm (15.7 x 15.7) inches	M6	559 mm (22.0) inches	215 mm (8.4) inches	≥ 1.5 m (59.0) inches	212 mm (8.3) inches
WB24GCB	75NANO83A*	400 x 400 mm (15.7 x 15.7) inches	M6	559 mm (22.0) inches	215 mm (8.4) inches	≥ 1.5 m (59.0) inches	215 mm (8.4) inches
WB24GDB	86NANO80A*	600 x 400 mm (23.6 x 15.7) inches	M8	599 mm (23.5) inches	215 mm (8.4) inches	≥ 1.5 m (59.0) inches	215 mm (8.4) inches



mm (inches / pulgadas / po / pol.)

	A	B	C	D
WB21LMB	43NANO80A* 50NANO80A* 55NANO80A* 55NANO82A* 55NANO83A* 65NANO80A* 65NANO82A* 65NANO83A*	200 mm (7.8) inches	300 mm (11.8) inches	M6

* : 0~9, A~Z