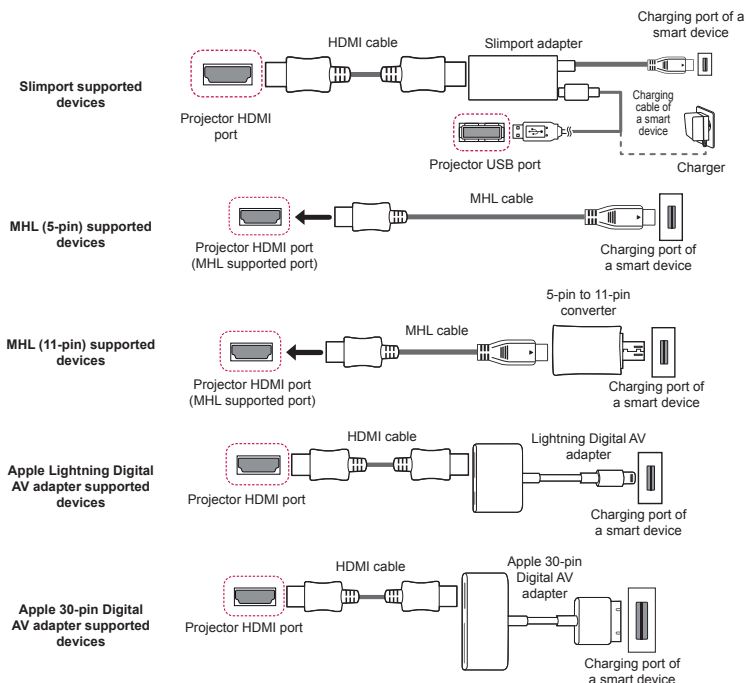


## To connect a smart device (smartphone, tablet, etc.) to the projector using the wired connection

Connect a smart device to the projector using a cable\* and set the external input of the projector to HDMI. The smart device screen will then be displayed through the projector. For model-specific instructions regarding use of the wired connection, please check with the smart device manufacturer.

Supported smart devices may change depending on the circumstances of each manufacturer.

\* Examples of how to connect a cable to different smart devices (cable purchased separately).



\* The picture may look different from the actual product.



\* M B M 6 4 5 5 7 3 3 7 \*