



Scan the QR code to see the manual.



OWNER'S MANUAL

# VACUUM CLEANER

---



Before beginning installation, read these instructions carefully. This will simplify installation and ensure that the product is installed correctly and safely. Leave these instructions near the product after installation for future reference.

**ENGLISH**

VK69\*\*\*\*



MFL67847176  
Rev.00\_051226

[www.lg.com](http://www.lg.com)

Copyright © 2026 LG Electronics. All Rights Reserved

# TABLE OF CONTENTS

This manual may contain images or content that may be different from the model you purchased.  
This manual is subject to revision by the manufacturer.

## SAFETY INSTRUCTIONS

READ ALL INSTRUCTIONS BEFORE USE..... 3  
WARNING ..... 3  
CAUTION ..... 7

## INSTALLATION

Product Overview..... 8

## OPERATION

Using the Nozzles and Tools..... 11

## MAINTENANCE

Cleaning and Maintenance ..... 14

## TROUBLESHOOTING

Before Calling for Service..... 19

# SAFETY INSTRUCTIONS

## READ ALL INSTRUCTIONS BEFORE USE

The following safety guidelines are intended to prevent unforeseen risks or damage from unsafe or incorrect operation of the appliance. The guidelines are separated into 'WARNING' and 'CAUTION' as described below.

### Safety Messages



This symbol is displayed to indicate matters and operations that can cause risk. Read the part with this symbol carefully and follow the instructions in order to avoid risk.



#### **WARNING**

This indicates that the failure to follow the instructions can cause serious injury or death.



#### **CAUTION**

This indicates that the failure to follow the instructions can cause the minor injury or damage to the product.

## WARNING



### **WARNING**

To reduce the risk of explosion, fire, death, electric shock, injury or scalding to persons when using this product, follow basic precautions, including the following:

### Technical Safety

- This appliance is not intended for use by persons (including children) with reduced physical, sensory or mental capabilities, or lack of experience and knowledge, unless they have been given supervision or instruction concerning use of the appliance by a person responsible for their safety.

## 4 SAFETY INSTRUCTIONS

---

- Children should be supervised to ensure that they do not play with the appliance.
- Children and pets should be supervised when the appliance is operating.
- If the power cord is damaged, it must be replaced by the manufacturer, its service agent or similarly qualified persons in order to avoid a hazard.
- This vacuum hose contains electrical connections:
  - Do not use to vacuum up water.
  - Do not immerse in water when cleaning.
  - Check the hose regularly and discontinue use if it is damaged.
  - Do not cut or modify the hose in any way.

### Installation

- Never attempt to operate the vacuum cleaner if they are damaged, malfunctioning, partially disassembled, or have missing or broken parts, including a damaged power cord or plug.
- Do not install or store the vacuum cleaner in areas:
  - where it may be exposed to weathering conditions such as rain, wind, high humidity or sunlight;
  - near heating devices or open flames;
  - near flammable substances (ether, benzene, alcohol, chemicals, combustible sprays, insecticide, air freshener or cosmetics), industrial oil or metallic dust.
- This appliance is equipped with a double insulated power cord with no earthing pin. The power plug must be plugged into an appropriate outlet socket that is installed and earthed/grounded in accordance with all local codes and ordinances.
- Make sure the power plug is completely pushed into the power outlet.
- Before plugging in the appliance, make sure that the controls are set to the **OFF** position.

- Do not plug the appliance into multiple outlet sockets, power boards, or an extension power cable.
- Do not modify the power plug provided with the appliance. If it does not fit the power outlet, have a proper outlet installed by a qualified electrician.
- When installing or moving the vacuum cleaner be careful not to pinch, crush, or damage the power cord or plug.

## Operation

- Use the vacuum cleaner only as described in this manual. Use only the manufacturer's recommended attachments.
- This vacuum cleaner is intended to be used in household applications only and not in applications such as:
  - Non-residential, commercial, or industrial applications;
  - Outdoor locations, garage environment or on wet surfaces.
- Do not handle the power cord, plug, or vacuum cleaner controls with wet hands.
- Never unplug the appliance by pulling on the power cable. Always grip the power plug firmly and pull straight out from the outlet socket. Make sure your fingers do not come into contact with the pins of the power plug.
- Do not bend the power cable excessively or place a heavy object on it.
- Do not damage, alter, excessively bend, twist, pull, pinch or heat the power cord.
- Be aware of your surroundings while using the appliance to avoid colliding with fragile objects. Move the power cords of other appliances out of the area to be cleaned.
- In case of flood, disconnect the power plug and contact the LG Electronics customer information centre.
- Do not use the vacuum cleaner on surfaces such as a table or stairs where the vacuum cleaner may fall.
- Only qualified technicians or service personnel from LG Electronics may disassemble, repair or modify the appliance.

- Do not use the vacuum cleaner to vacuum liquids (water, beverages, etc.), odorous substances (candy, chocolate, pet excrement, etc.), metallic objects (blades, pins, etc.), flammable substances, surfactants, or glass shards.
- Do not use for vacuuming blades, thumb tacks, sawdust, sharp objects, or hot or cold ashes.
- Keep clothing, hair, fingers, or other parts of the body away from the cleaner's openings and moving parts.
- Do not operate the vacuum cleaner with the suction or the exhaust port blocked.
- Do not use the vacuum cleaner in an enclosed space where vapours are present from paint thinner, moth-proofing substances, flammable dust, or other explosive or toxic materials.
- Do not lean the vacuum cleaner on walls, chairs or tables.
- If there is a gas leakage (isobutane, propane, natural gas, etc.) within the home, do not touch the vacuum cleaner or power plug and open doors or windows to ventilate the area immediately.
- Immediately unplug the power plug and contact an LG Electronics customer information centre if you detect a strange sound, odour, or smoke coming from the appliance.
- Do not use the vacuum cleaner without the dust bin and filters in place.
- Turn off all controls before unplugging.
- Don't grasp the tank handle when you are moving the vacuum cleaner. Grasp the carrier handles.

### **Maintenance**

- Make sure to unplug the power cord before cleaning or maintaining the vacuum cleaner.
- Keep the nozzle, hose and product body away from contact with water, detergent, polishes or air fresheners.
- Do not spray a flammable substance (gasoline, thinner or acetone) or surfactants (detergent or bath soap) on the vacuum cleaner when cleaning it.

## Disposal

- Keep packing materials out of the reach of children. Packaging materials can pose a suffocation risk to children.

## CAUTION

### CAUTION

To reduce the risk of injury to persons, malfunction, or damage to the product or property when using the appliance, follow basic safety precautions, including the following:

## Operation

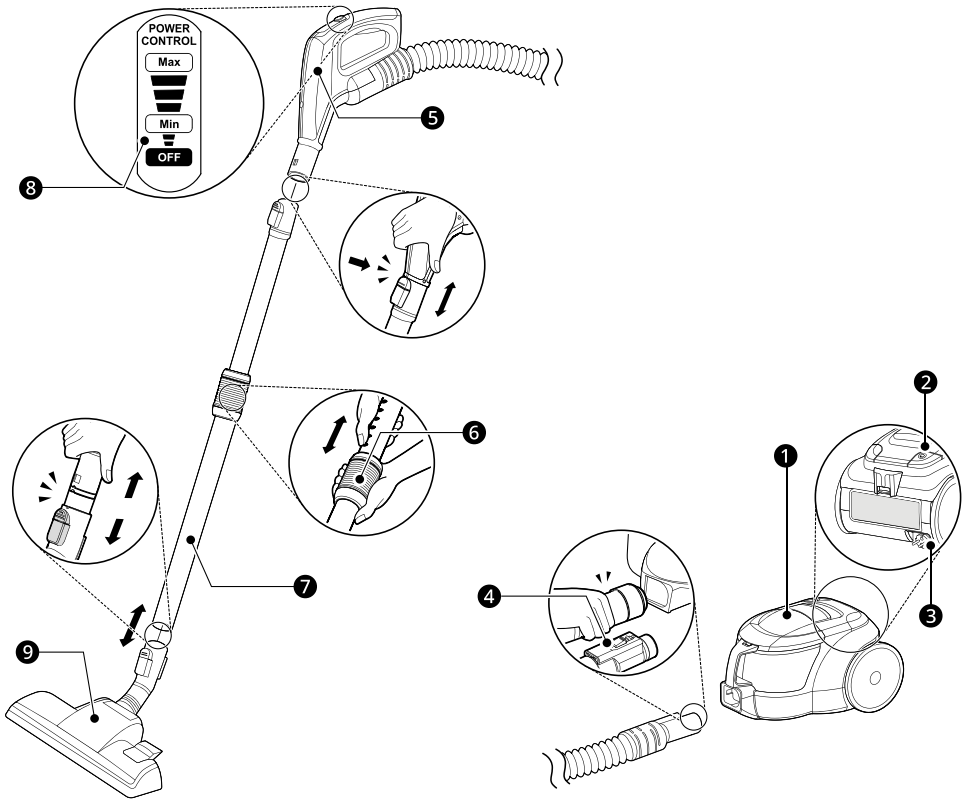
- This vacuum cleaner has a built-in safety device to prevent damage from overheating. If the appliance becomes overheated after or during extended use, it may automatically turn off. If this occurs, leave it in a cool, well-ventilated area for about an hour before turning on the power again.
- Do not drop or subject the cleaner to any physical impact.
- Do not insert wet or damp filters.
- Wipe any moisture or dirt off the power cord or power plug with a dry cloth.
- Do not clean the same spot repeatedly for an extended period of time as doing so can damage the carpet or floor's surface.
- Do not dry the filter in an oven, microwave, clothes dryer, or near an open flame.

# INSTALLATION

## Product Overview

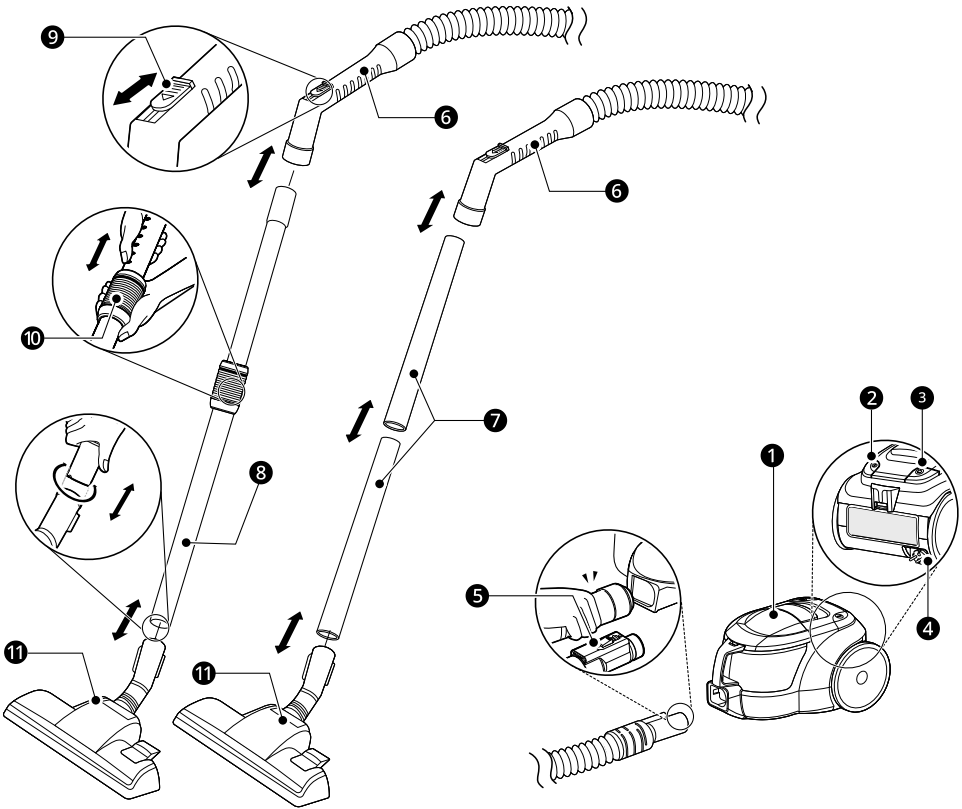
### Assembling Vacuum Cleaner

#### Model with Controller in Handle



Parts		Parts		Parts	
1	Product body	4	Release button	7	Extension pipe
2	Button for automatic cord rewind	5	Hose handle	8	Handle controller
3	Power cord	6	Spring latch	9	Carpet and Floor Nozzle

Model with Air Inlet Valve in Handle



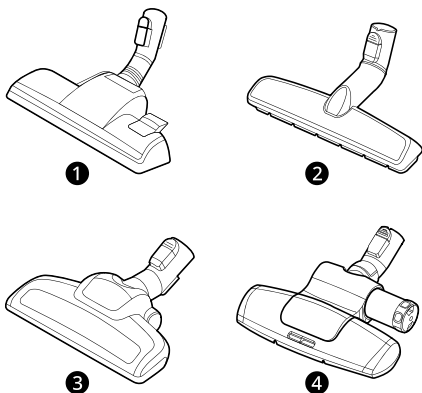
Parts		Parts		Parts	
1	Product body	5	Release button	9	Air inlet valve
2	ON/OFF button	6	Hose handle	10	Spring latch
3	Button for automatic cord rewind	7	Metal pipe	11	Carpet and Floor Nozzle
4	Power cord	8	Extension pipe		

**NOTE**

- The images in this guide may be different from the actual components and accessories, which are subject to change by the manufacturer without prior notice for product improvement purposes.

## Accessories

### Nozzles



① Carpet and Floor Nozzle

② Hard Floor Nozzle\*<sup>1</sup>

③ Pet Nozzle\*<sup>1</sup>

④ Bedding Nozzle\*<sup>1</sup>

### Tools and Brushes



① Crevice Tool

② Upholstery Tool\*<sup>1</sup>

③ Dusting Brush\*<sup>1</sup>

\*<sup>1</sup> This accessory is only available on some models.

## Specifications

Model	VK69****
Power Supply	230 V~, 50 Hz
Power Consumption	1400 W (Maximum 1600 W)

# OPERATION

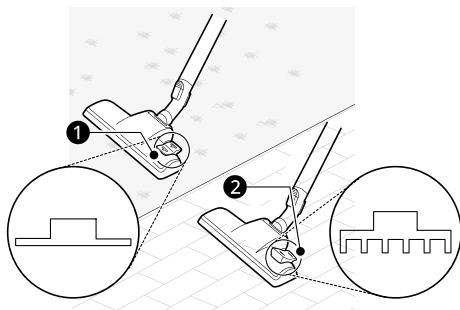
## Using the Nozzles and Tools

### Vacuuming Various Floor Conditions

Connect the nozzles either to the hose or to the extension pipe.

#### Carpet and Floor Nozzle

Use this nozzle to vacuum carpets, rugs or hard floors.



① Carpet or rug mode

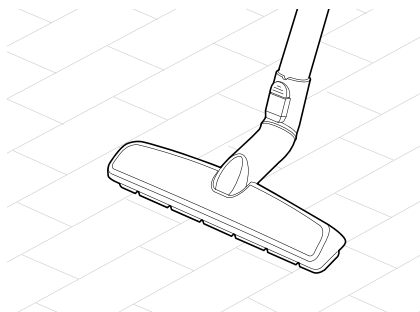
② Hard floor mode

### ⚠ CAUTION

- Do not use this nozzle on PVC play mats. Doing so may cause static electricity to accumulate on the vacuum.

#### Hard Floor Nozzle

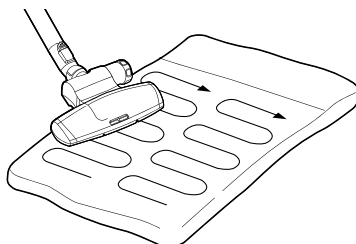
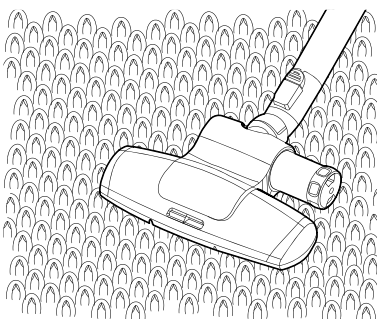
Use this nozzle to clean hard floors (parquet flooring, tiles, terracotta, etc.).



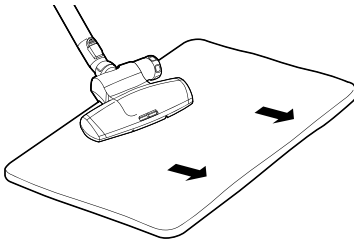
#### Bedding Nozzle

Use this nozzle to clean sheets and bedding more effectively. It removes dust in bedding using strong suction and a punching motion.

- Lower the suction level when vacuuming bedding such as duvet covers to avoid the thin fabric getting sucked into the nozzle.

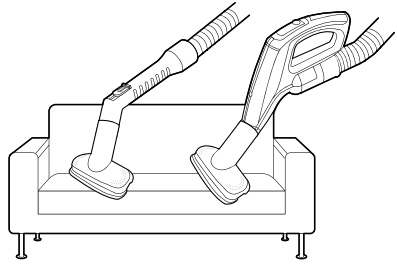


## 12 OPERATION



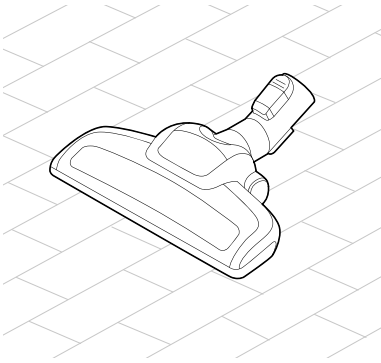
### Upholstery Tool

Use this tool to clean up dust and foreign objects from mattresses, delicate fabrics, and upholstery.



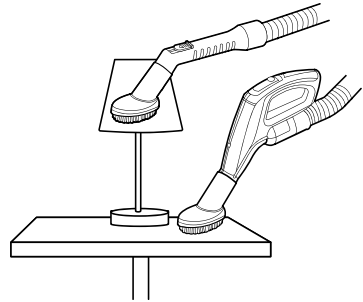
### Pet Nozzle

Use this nozzle to clean soft surfaces and pet hair removal.



### Dusting Brush

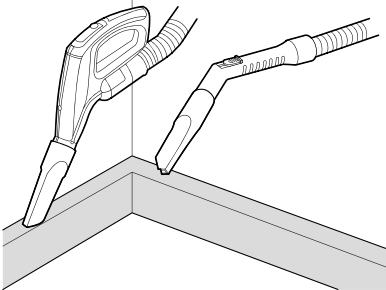
Use this tool to clean delicate surfaces such as frames or furniture.



### Using Accessory Kit

#### Crevice Tool

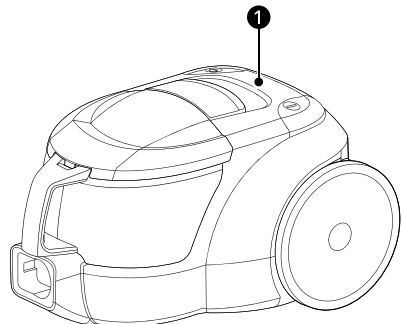
Use this tool to clean dust from corners or narrow spaces.



### Carrying or Parking the Vacuum Cleaner

#### Carrying the Vacuum Cleaner

Carry the vacuum cleaner using the carrying handle ❶ when vacuuming steps.

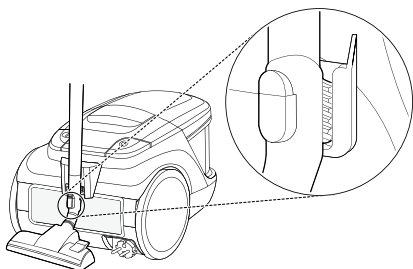


## Parking the Vacuum Cleaner

### To Stop Vacuuming for a Short Time

Use the parking aid on the back of the vacuum cleaner if you wish to stop vacuuming for a short time.

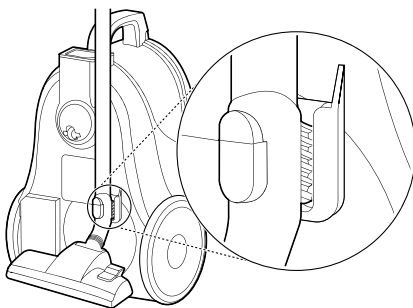
- 1 Switch off the vacuum cleaner.
- 2 Slide the catch on the nozzle into the recess on the rear of the vacuum cleaner.



### To Store or Transport the Vacuum Cleaner

Use the storage aid on the underside of the vacuum cleaner.

- 1 Switch off the vacuum cleaner.
- 2 Stand the vacuum cleaner up.
- 3 Slide the catch on the nozzle into the groove on the underside of the vacuum cleaner.



# MAINTENANCE

## ⚠ WARNING

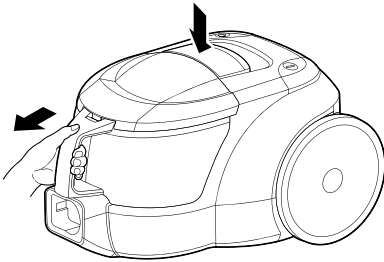
- Unplug the appliance before cleaning to avoid the risk of electric shock. Failure to follow this warning may result in serious injury, fire, electric shock, or death.

## Cleaning and Maintenance

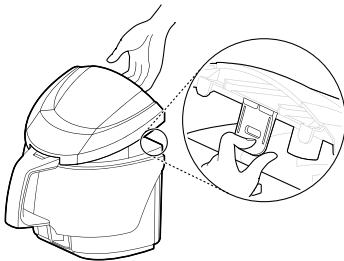
### Cleaning the Dust Bin and the Pre-filter

#### Cleaning the Dust Bin

- 1 Press the release button to open the cover on the product body. Remove the dust bin.



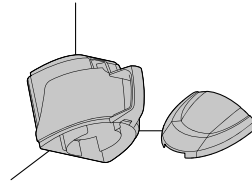
- 2 Lift the cover off of the dust bin.



- 3 Empty the dust bin into a waste container and rinse the bin and cover under cold, running water.



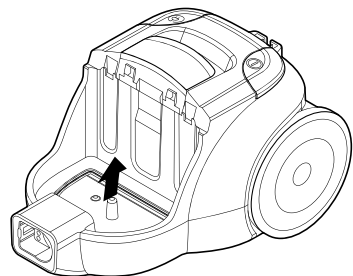
- 4 Dry the dust bin and cover completely in a well-ventilated area out of direct sunlight before reassembling.



#### Cleaning the Pre-filter

Clean the air guide tank and filters under cold, running water at least once a month to maintain product performance.

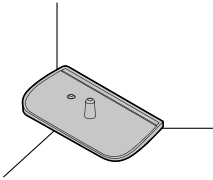
- 1 Open the cover on the product body, remove the dust bin, and lift out the pre-filter.



- 2 Clean the pre-filter under cold, running water.

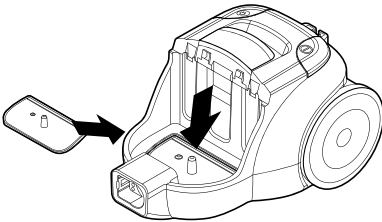


- 3 Dry the pre-filter completely in a well-ventilated area out of direct sunlight before reassembling.

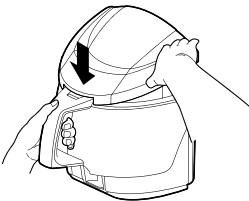


### Assembling the Pre-filter and Dust Bin

- 1 Insert the filter in the product body.

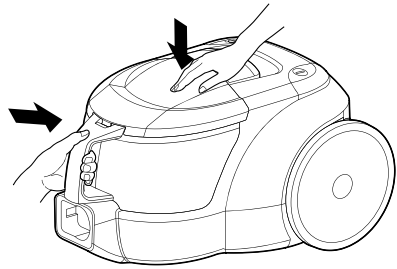


- 2 Close the cover of the dust bin.



- 3 Align the ribs on the dust bin to the grooves on the product body and slide the dust bin in until

it locks into place. Push the front end of the cover until it clicks into place.



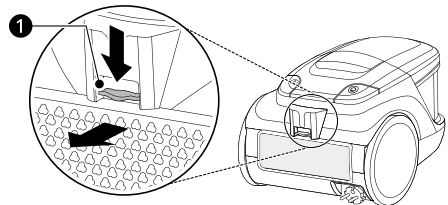
### CAUTION

- To avoid odour, allow the filters to dry completely in a well-ventilated area out of direct sunlight for at least 24 hours before reassembling.
- To avoid damage to the vacuum cleaner, do not clean the parts using liquid chlorine bleach or oxygenated detergent.

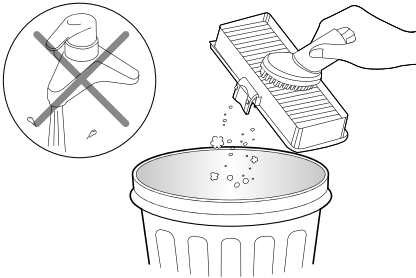
### Cleaning the Exhaust Filter

Clean the exhaust filter (reusable HEPA filter) at least once a year.

- 1 Open the exhaust filter cover by pressing the release 1 button.



- 2** Clean the exhaust filter by brushing the dust off.



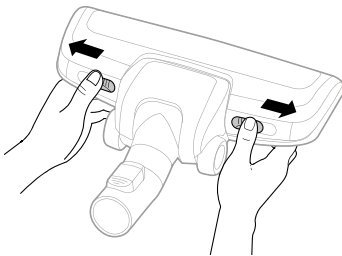
### NOTE

- Do not use water to clean the exhaust filter.

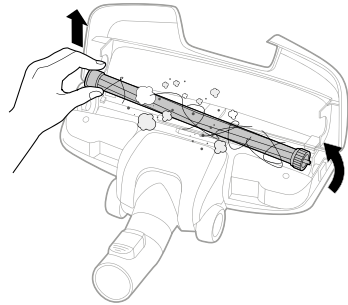
- 3** Insert the exhaust filter and push it all the way into the cavity. Close the exhaust filter cover.

## Cleaning Pet Nozzle

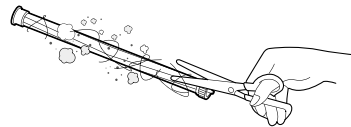
- 1** Push the levers on either side toward the outside.



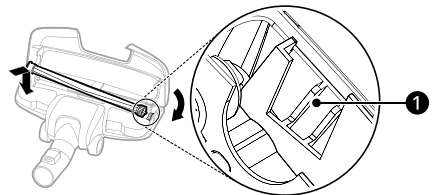
- 2** Open the cover and remove up the brush.



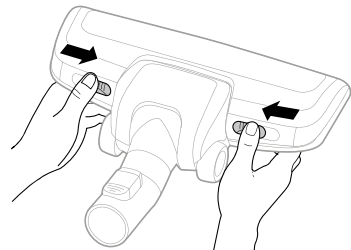
- 3** Remove any foreign objects (thread, hair) from the rotating brush or the inlet port.



- 4** To assemble the brush, slide one end into the notch at the side of the nozzle **1** and lower the brush into place. Close the cover.



- 5** Push the levers on either side toward the middle.

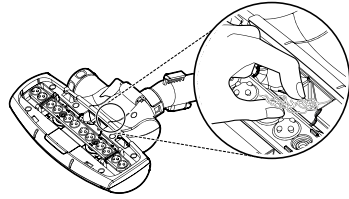


## ⚠ CAUTION

- After turning off the vacuum cleaner, allow the nozzle and brush to cool before handling.
- Do not block the air inlet of the nozzle with hands or other objects while opening the nozzle.
- Do not touch the brush while the nozzle is attached to the appliance.

### Inside

If you can not remove dust inside the nozzle using crevice tool, remove the dust by hand.

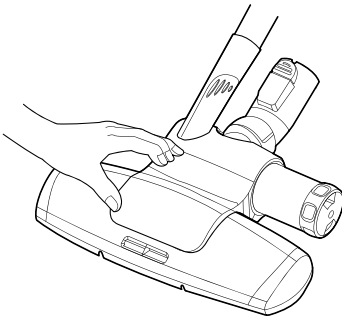


## Cleaning Bedding Nozzle

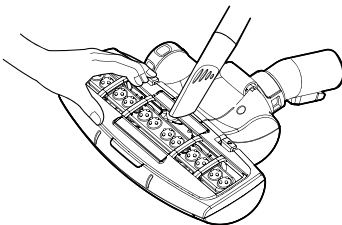
### Simple Cleaning

To vacuum dust, detach the bedding nozzle from the extension pipe and attach the crevice tool to the hose handle.

#### Top

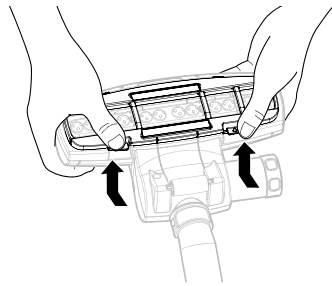


#### Bottom

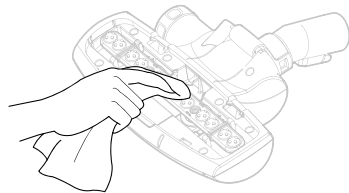


## Disassembling and Cleaning

- 1 Press the release button on the rear side of the bedding nozzle to separate the bottom plate.



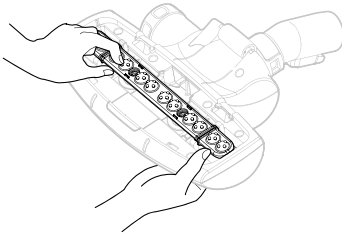
- 2 Remove any foreign objects (thread, hair) from the inlet port.



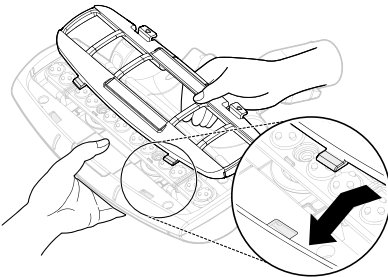
- 3** Rinse only the bottom plate under cold, running water.



- 4** Straighten the punch bar on the lower section.

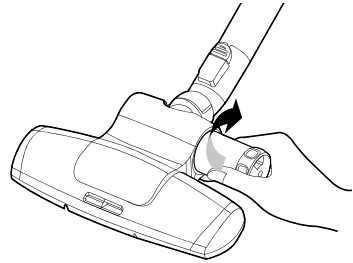


- 5** To assemble the bottom plate, insert the bottom plate into holes and push it to secure.



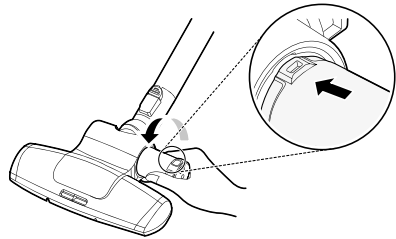
### Emptying Dustbin

- 1** Turn the dustbin clockwise to remove it.



- 2** Waste the dust in the trash bag.

- 3** To assemble the dustbin, insert it and then turn it counterclockwise.



---

### **⚠ CAUTION**

- Do not soak the bedding nozzle in water. It may cause the vibrator to malfunction.
-

# TROUBLESHOOTING

## Before Calling for Service

Operation of the appliance can lead to errors and malfunctions. The following tables contain possible causes and notes for resolving an error or malfunction. You can remedy most of the problems by yourself, consequently saving time and money, as you may not need to call LG Electronics service centre. The following table should assist you with troubleshooting.

### Odour

Symptoms	Possible Cause & Solution
<b>A strange odour is coming from the vacuum cleaner.</b>	<b>The smell is noticed within 3 months of its initial use.</b> <ul style="list-style-type: none"> <li>The cleaner may emit a smell of rubber for about 3 months after its initial use. This is normal.</li> </ul>
	<b>The dust bin is full of dust.</b> <ul style="list-style-type: none"> <li>The dust in the bin may cause some odour. Empty the bin and clean it.</li> </ul>
	<b>Foreign substances are on the filter.</b> <ul style="list-style-type: none"> <li>The filter may emit an odour if it has not been cleaned for a long time. Clean the pre-filter or exhaust filter regularly.</li> </ul>
	<b>The pre-filter or exhaust filter was assembled while damp or wet.</b> <ul style="list-style-type: none"> <li>Wash the pre-filter or exhaust filter with running water. To avoid odour, allow the pre-filter or exhaust filter to dry completely in a well-ventilated area out of direct sunlight for at least 24 hours before reassembling.</li> </ul>

### Suction Power/Warm Air

Symptoms	Possible Cause & Solution
<b>Suction power is too weak.</b>	<b>The dust bin is full of dust.</b> <ul style="list-style-type: none"> <li>Empty the dust bin.</li> </ul>
	<b>Filters are clogged.</b> <ul style="list-style-type: none"> <li>Clean the pre-filter and the exhaust filter. If the suction power is still weak after cleaning the filters, replace the filters.</li> </ul>
	<b>Inlet is clogged.</b> <ul style="list-style-type: none"> <li>Remove any foreign objects from inside the product body or the extension pipe.</li> </ul>
	<b>Foreign objects are stuck to the rotating brush, or in inlet port.</b> <ul style="list-style-type: none"> <li>Remove any foreign objects (thread, hair, etc.) from the rotating brush or the inlet port.</li> </ul>

Symptoms	Possible Cause & Solution
Warm air comes out of the product body.	<b>Warm air is vented while cooling the motor inside the product body.</b> <ul style="list-style-type: none"> <li>This is normal.</li> </ul>

## Noises

Symptoms	Possible Cause & Solution
The appliance makes too much noise.	<b>The dust bin is full of dust.</b> <ul style="list-style-type: none"> <li>Empty the dust bin and clean the pre-filter and motor protection filter at the rear of the dust bin.</li> </ul>
The hose sounds as if air cannot get through it.	<b>The nozzle is blocked.</b> <ul style="list-style-type: none"> <li>Clean the nozzle.</li> </ul>
	<b>The extension pipe is blocked.</b> <ul style="list-style-type: none"> <li>Remove the foreign object stuck in the extension pipe using a long stick.</li> </ul>
	<b>The hose is blocked.</b> <ul style="list-style-type: none"> <li>Block and unblock the hose entry with your palm several times. If the same problem persists, contact an LG Electronics Service Centre.</li> </ul>

## Support



**Memo**

**Memo**

**Memo**

