

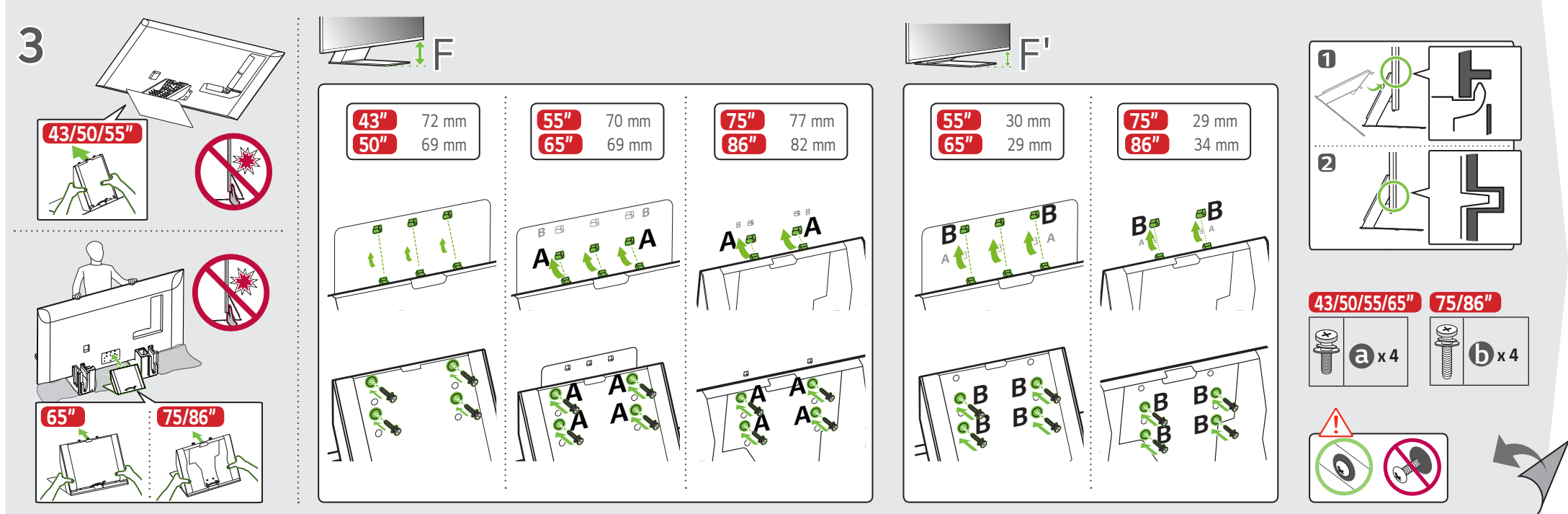
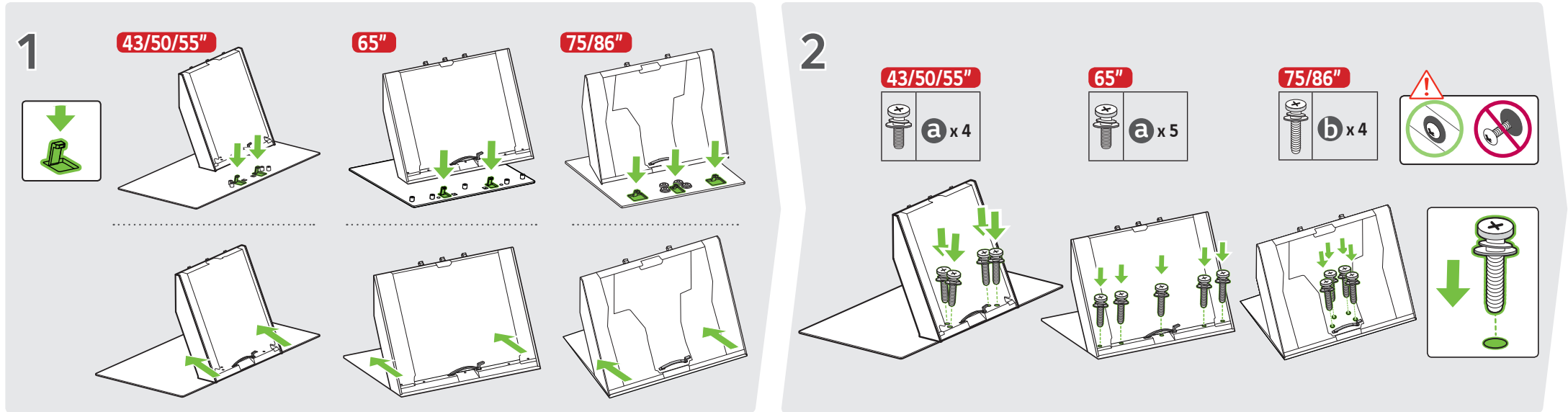
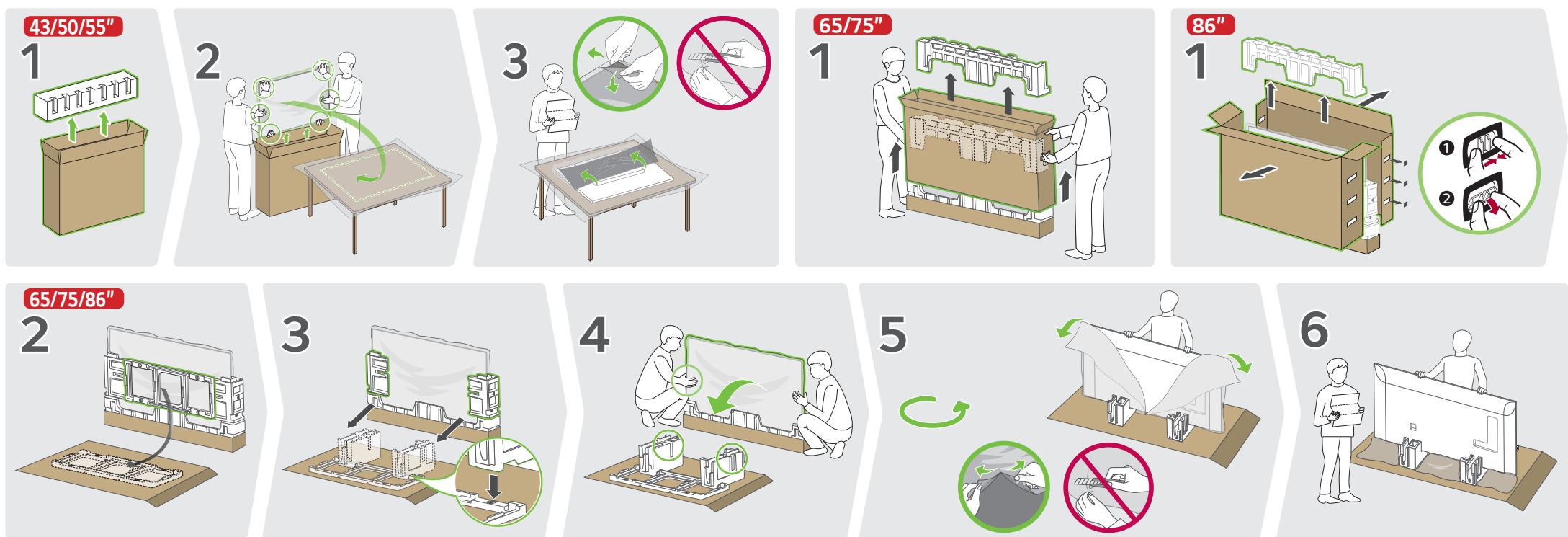
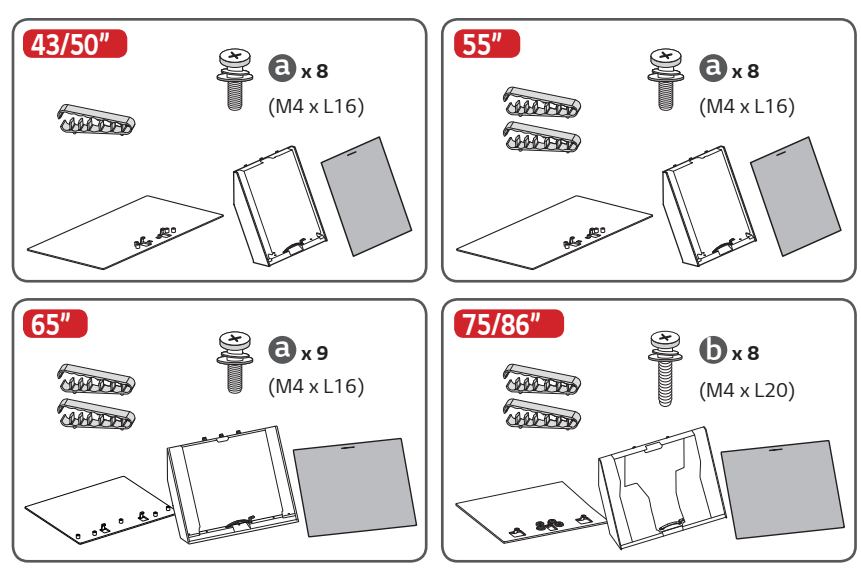


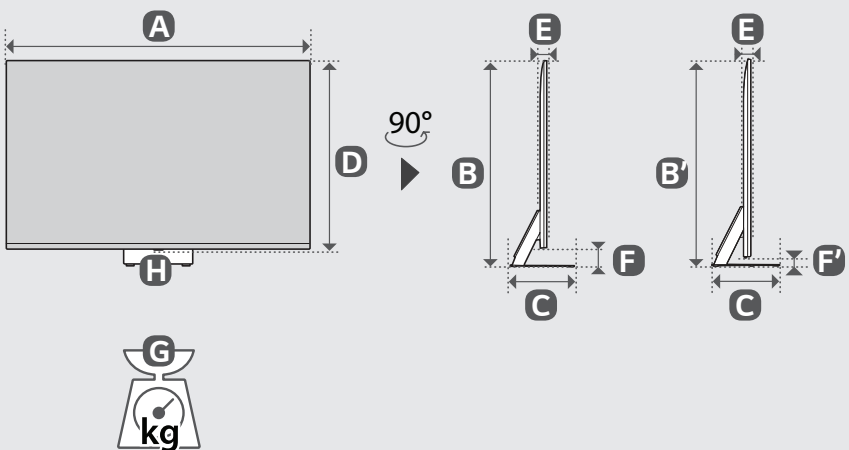
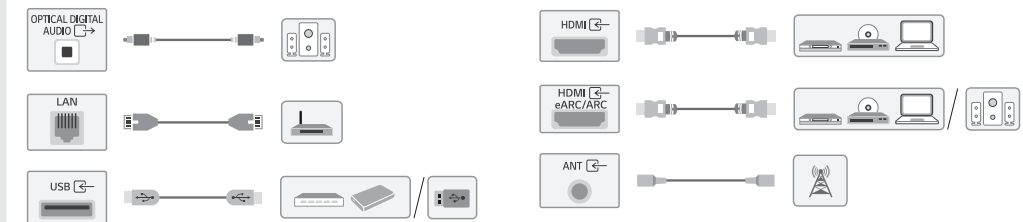
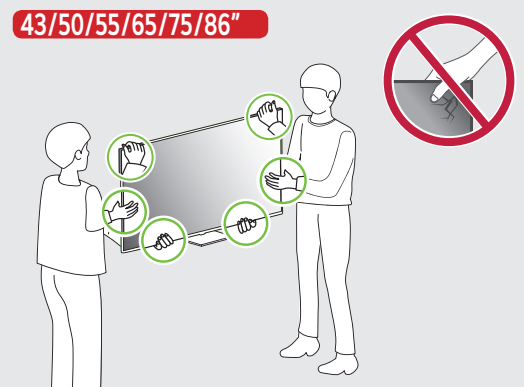
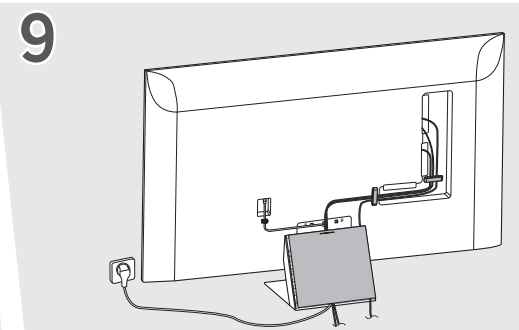
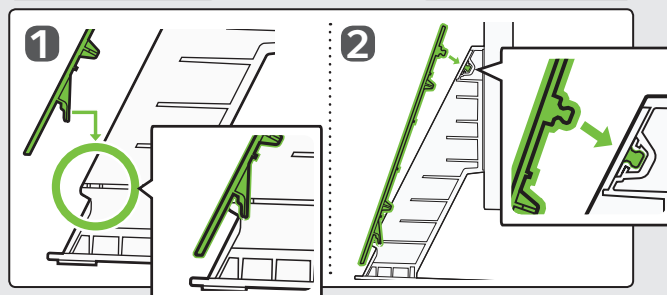
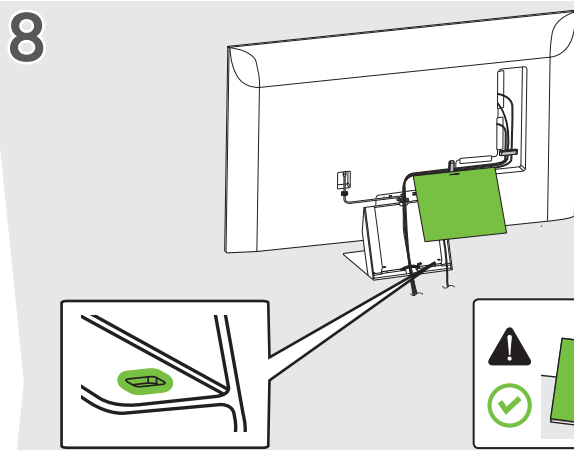
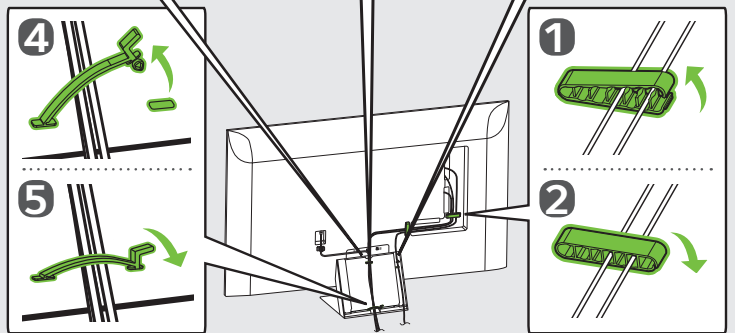
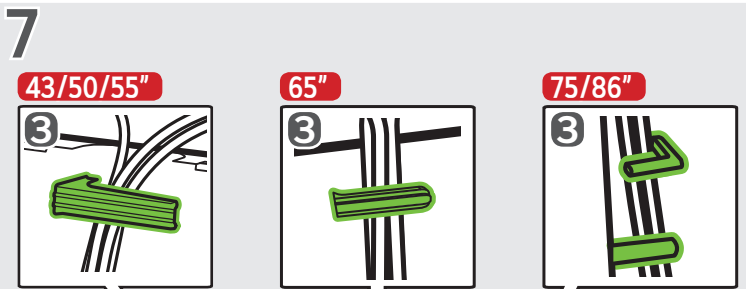
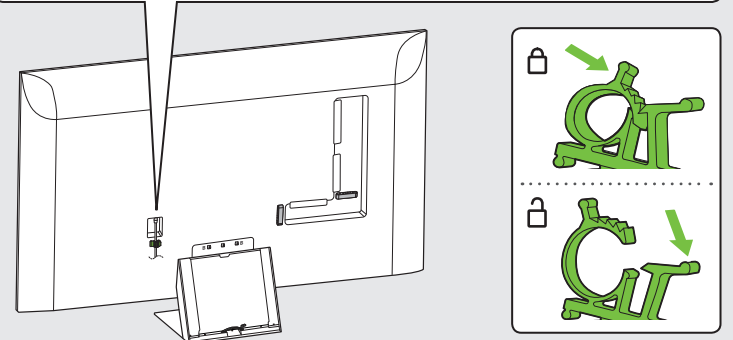
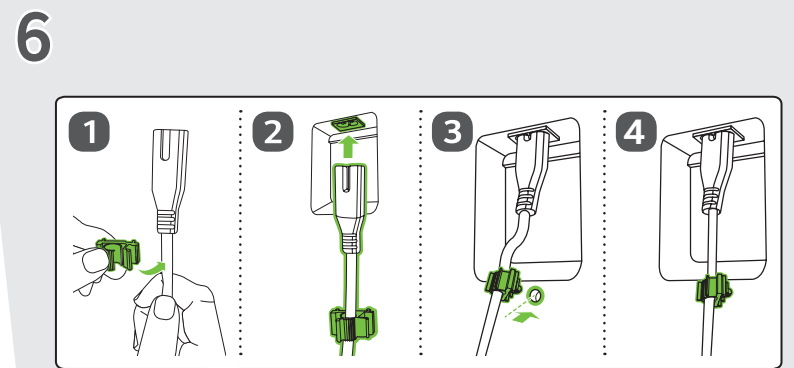
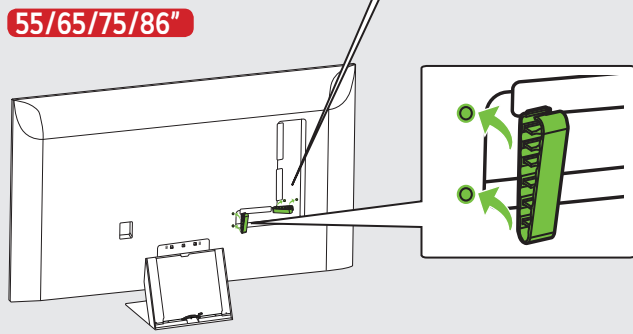
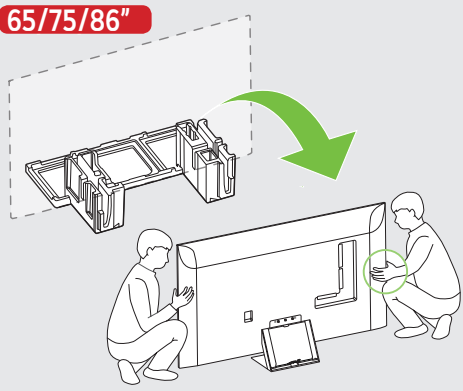
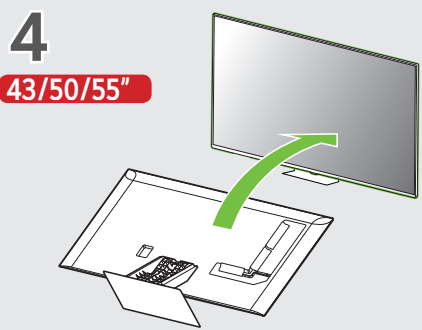
www.lg.com

PDF

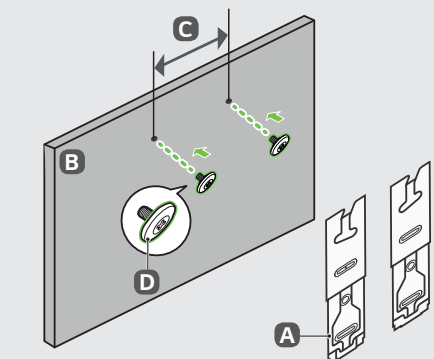
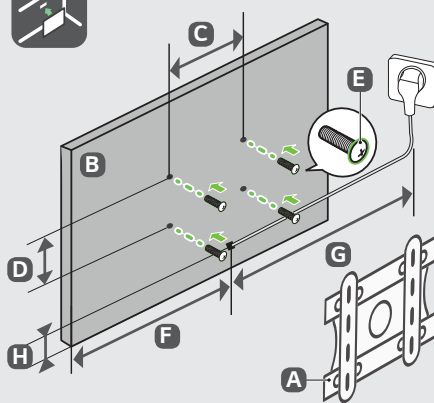
- 43QNED81A*
- 50QNED81A*
- 55QNED81A*
- 65QNED81A*
- 75QNED81A*
- 86QNED81A*
- 50QNED86A*
- 55QNED86A*
- 65QNED86A*
- 75QNED86A*
- 86QNED86A*

65QNED87A*
75QNED87A*



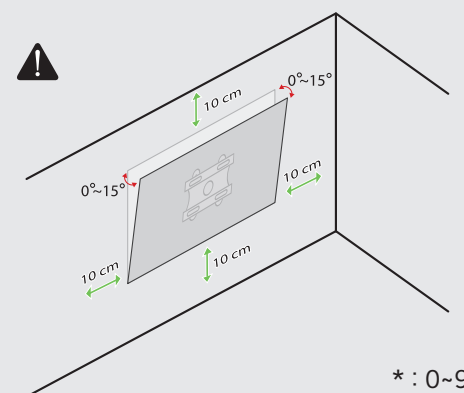


	A	B/B'	C	D	E	F/F'	G	G-H
	(mm)						(kg)	
43QNED81A*	968	637 / -	260	565	29.7	72 / -	13.1	9.3
50QNED81A* 50QNED86A*	1123	721 / -	260	652	29.7	69 / -	16.4	12.6
55QNED81A* 55QNED86A*	1236	786 / 746	260	716	29.7	70 / 30	19.3	15.5
65QNED81A* 65QNED86A* 65QNED87A*	1456	909 / 869	285	840	29.7	69 / 29	26.3	22.5
75QNED81A* 75QNED86A* 75QNED87A*	1677	1042 / 994	370	965	30.9	77 / 29	41.5	33.3
86QNED81A* 86QNED86A*	1928	1190 / 1142	370	1108	30.9	82 / 34	58.2	50.0



	A	B	C x D (mm)	E (mm)	F (mm)	G (m)	H (mm)
LSW240B MSW240	43QNED81A* 50QNED81A* 50QNED86A*	200 x 200	M6	287	364	≥ 1.5	190
				364			221
WB24GCB MSW240	55QNED81A* 55QNED86A*	300 x 300	M6	371	481	≥ 1.5	277
				481			295
WB24GCB	65QNED81A* 65QNED86A* 65QNED87A*	300 x 300	M6	532	481	≥ 1.5	341
				481			295
				532			341
WB24GDB	86QNED81A* 86QNED86A*	600 x 400	M8	573			336

	A	B	C (mm)	D
WB21LMB	43QNED81A* 50QNED81A* 50QNED86A*	200	M6	
WB21LMB	55QNED81A* 65QNED81A* 65QNED86A* 65QNED87A*	300	M6	



* : 0~9, A~Z