



43QNE80A\*  
50QNE80A\*  
50QNE85A\*  
55QNE80A\*  
65QNE80A\*  
75QNE80A\*  
86QNE80A\*



**43/50/55"**  
a x 4 (M4 x L16)

**65"**  
a x 4 (M4 x L16)

**75/86"**  
b x 4 (M4 x L20)



**43"**  
1

**50/55"**  
1

**43/50/55"**  
2

**3**

**65/75"**  
1

**86"**  
1

**65/75/86"**  
2

**3**

**4**

**5**

**6**



**43/50/55"**  
1

**65/75/86"**  
1 A B

**43/50/55"**  
2

**65/75/86"**  
2

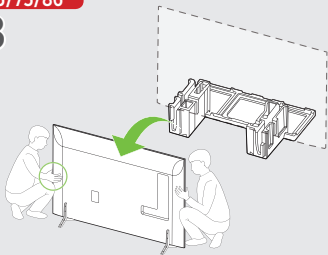
**65"**  
a x 4

**75/86"**  
b x 4

**43/50/55"**  
3

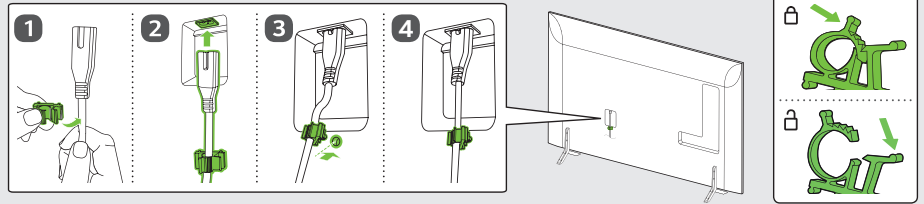
65/75/86"

3



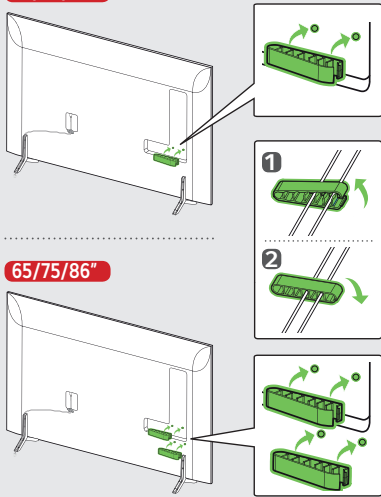
43/50/55/65/75/86"

4



43/50/55"

5

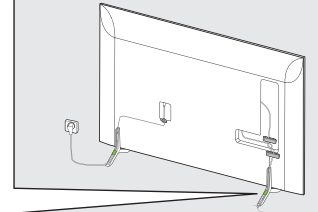
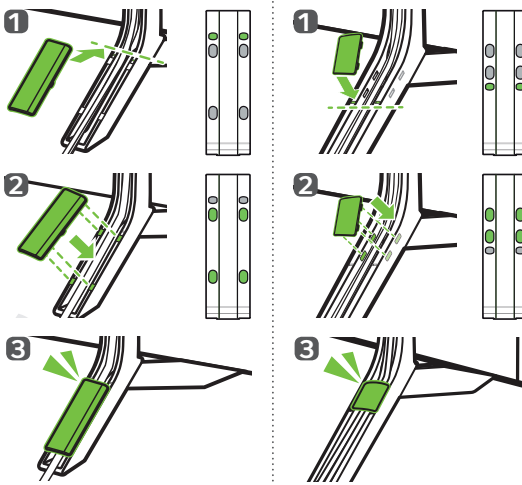


65/75/86"

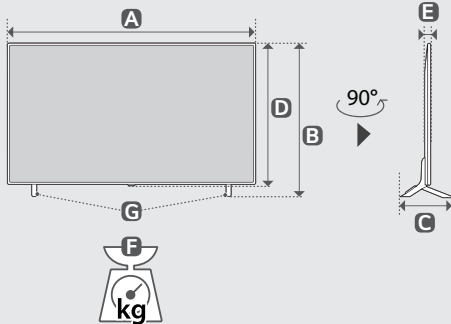
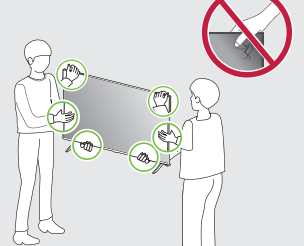
6

43/50/55/65"

75/86"



43/50/55/65/75/86"



	A	B	C	D	E	F	F-G	
	(mm)					(kg)		
43QNED80A*	968	633	257	565	29,7	9,7	9,3	115 W
50QNED80A*	1.123	720	257	652	29,7	13,0	12,6	120 W
50QNED85A*								130 W
55QNED80A*	1.236	783	257	716	29,7	15,3	14,9	140 W
65QNED80A*	1.456	904	295	840	29,7	22,9	22,5	175 W
75QNED80A*	1.677	1.032	359	965	30,9	34,0	33,0	205 W
86QNED80A*	1.928	1.175	359	1.108	30,9	51,0	50,0	245 W



OPTICAL DIGITAL AUDIO



LAN



USB



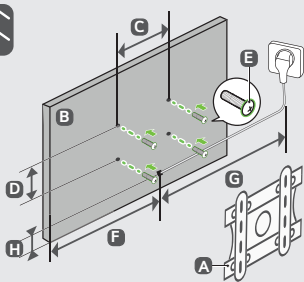
HDMI



HDMI eARC/ARC

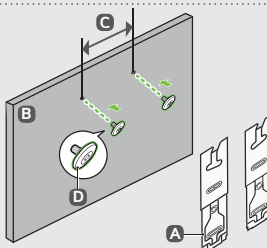


ANT



A	B	C x D (mm)	E	F (mm)	G (m)	H (mm)
LSW240B MSW240	43QNED80A*	200 x 200	M6	287	≥ 1,5	190
	50QNED80A* 50QNED85A*			364		221
WB24GCB MSW240	55QNED80A*	300 x 300		371		277
	65QNED80A*			481		295
WB24GCB	75QNED80A*	400 x 300		532		341
	86QNED80A*			M8		573

A/B Não incluso no produto / No incluido en el producto



A	B	C (mm)	D
WB21LMB	43QNED80A*	200	M6
	50QNED80A*		
	50QNED85A*		
	55QNED80A* 65QNED80A*		

A/D Não incluso no produto / No incluido en el producto

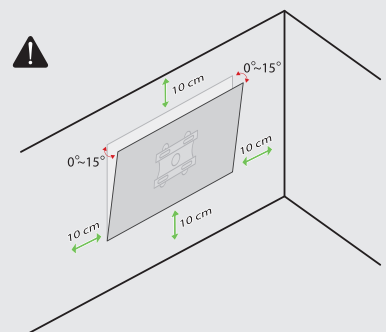
PRODUZIDO NO POLO INDUSTRIAL DE MANAUS

CONHEÇA A AMAZÔNIA

LG Electronics do Brasil Ltda.

CNPJ: 01.166.372/0009-21

Rua Javari, nº 1004, Distrito Industrial, CEP 69075-110, Manaus/AM, Indústria Brasileira



\* : 0-9, A-Z