


## Additional Information

### Specifications

Power Requirements	Refer to the main label on the unit.
Power Consumption	Refer to the main label on the unit.
Dimensions (W x H x D)	Approx. 330.0 mm x 685.0 mm x 344.0 mm
Bus Power Supply (USB)	5 V  500 mA

Design and specifications are subject to change without notice.

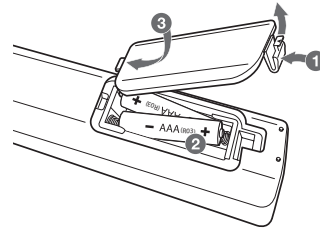
### Caution

- Connect the power cord to wall outlet directly if possible. Or when you use an extension cable, it is highly recommended to use an extension cable of 110 V / 15 A or 230 V / 15 A, otherwise the unit may not operate properly because of the lack of power supply.
- Do not overload the extension cord with excessive electrical load.

### Note


- Do not look directly at the light emitting part when the LIGHTING is turned on.
- If the illumination brightness is glaring, switch on the room lights or turn off the LIGHTING of the unit.

### Replacement of battery



**POWER:** This unit operates on a mains supply of 110 - 240 V ~ 50 / 60 Hz.

**Wiring:** This unit is supplied with a BS 1363 approved main plug. When replacing the fuse, always use a fuse of the same rating and approved to BS 1362. Never use this plug with the fuse cover omitted. To obtain a replacement fuse cover contact your dealer. If the type of plug supplied is not suitable for the mains sockets in your home, then the plug should be removed and a suitable type fitted. Please refer to the wiring instructions below:

**Warning:** A mains plug removed from the mains lead of this unit must be destroyed. A mains plug with bared wires is hazardous if inserted in a mains socket. Do not connect either wire to the earth pin, marked with the letter E or with the earth symbol  or coloured green or green and yellow. If any other plug is fitted, use same rating of fuse in the plug.

**Important:** The wires in this mains lead are coloured in accordance with the following codes:

- **BLUE: NEUTRAL, BROWN: LIVE** - As the colours of the wires in the mains lead of this unit may not correspond with the coloured marking identifying the terminals in your plug, proceed as follows: The wire which is coloured blue must be connected to the terminal which is marked with the letter N or coloured black. The wire which is coloured brown must be connected to the terminal which is marked with the letter L or coloured red.



## SIMPLE MANUAL

# HIGH POWER SPEAKER SYSTEM

Please read this manual carefully before operating your set and retain it for future reference.

To view the instructions of advanced features, visit <http://www.lg.com> and then download Owner's Manual. Some of the content in this manual may differ from your unit.

MODEL

RNC5



MFL71994033

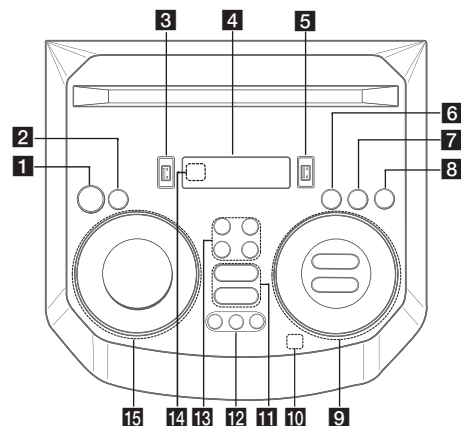
2301\_Rev01

[www.lg.com](http://www.lg.com)

Copyright © 2024 LG Electronics Inc. All Rights Reserved.



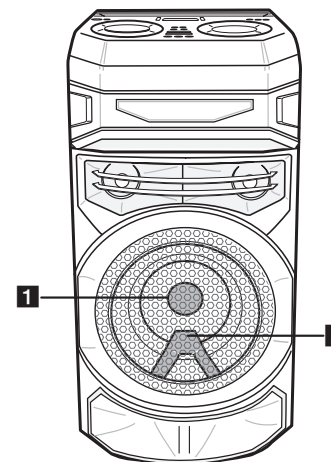
## Top panel



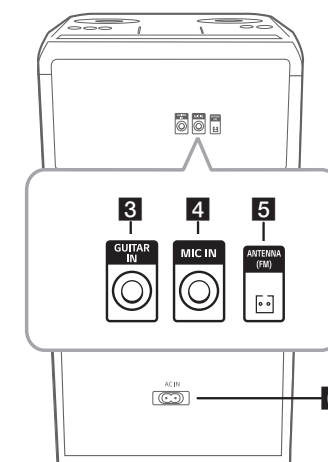
- 1** (Standby)  
Turns the power on or off.
- 2** **USB REC / DEMO**  
- Records to USB.  
- Stops recording.  
- In power off status, if you press **USB REC / DEMO**, show demo mode.
- 3** **USB 1 Port**  
You can play sound files by connecting the USB device.
- 4** Display window
- 5** **USB 2 Port**  
You can play sound files by connecting the USB device.
- 6** **F (Function)**  
Selects the function and input source.
- 7** **LIGHTING**  
Selects the lighting mode.
- 8** **@TWIN**  
Connects two units for TWIN mode in WIRELESS PARTY LINK.
- 9** **⏮/⏭** (Skip/Search)  
- Skips backward or forward.  
- Searches for a section within a file.  
- Selects the radio stations.  
**⏮** (Play/Pause)  
- Starts or pauses playback.  
- Selects stereo/mono.  
- **Bluetooth** connection lock (BT LOCK): Select the **Bluetooth** function by pressing **F** repeatedly. And long press **⏮** to limit **Bluetooth** connection to only BT and LG TV.

- AUTO DJ**  
Selects the AUTO DJ mode.
- VOL (Volume) -/+**  
Adjusts speaker volume.
- MIC (Microphone) / GUITAR -/+**  
Adjusts Microphone volume or Guitar volume.
- 10** (Auto Music Play)  
Plays the audio currently playing by tagging the mobile (with "LG XBOOM" App) to this unit. (Android Only)
- 11** **VOICE CANCELLER**  
You can reduce the vocal tones during music playback from various input sources.
- EQ**  
Chooses sound impressions.
- 12** **CLUB, DRUM, USER (DJ PAD)**  
Selects CLUB, DRUM or USER sound effect to mix. (If you want to use USER, you have to register a source with "LG XBOOM" app.(Android Only))  
**1, 2, 3 (DJ PAD)**  
Press a desired sound pad.
- 13** **MIC (Microphone) ECHO**  
Selects ECHO mode.  
**VOCAL EFFECTS**  
Selects various vocal effects mode.  
**KEY CHANGER (b/#)**  
Changes the key to suit your vocal range.
- 14** Remote sensor
- 15** **SPECIAL EQ / BASS BLAST (or BASS BLAST+)**  
- Chooses special equalizer.  
- Press and hold to select BASS (or BASS+) effect directly.
- SEARCH**  
Moves to folder or file in selection mode.
- OK**  
Selects a folder when searching a file.
- USER EQ**  
Selects the equalizer created by your own.
- Multi jog**  
- Searches a folder or a file.  
- Turns clockwise or counterclockwise to control the USER EQ level.  
- Chooses special equalizer.

## Front panel / Rear panel



- 1** Lighting
- 2** Remote sensor



- 3** **GUITAR IN:** Connect a guitar.
- 4** **MIC (Microphone) IN:** Connect a microphone.
- 5** **ANTENNA (FM)**
- 6** **AC IN** socket

### Controller App



Android



iOS

Download the **LG XBOOM** App to your device.

### LG Sound Sync (Wireless)



For more information, download the online owner's manual. <http://www.lg.com>