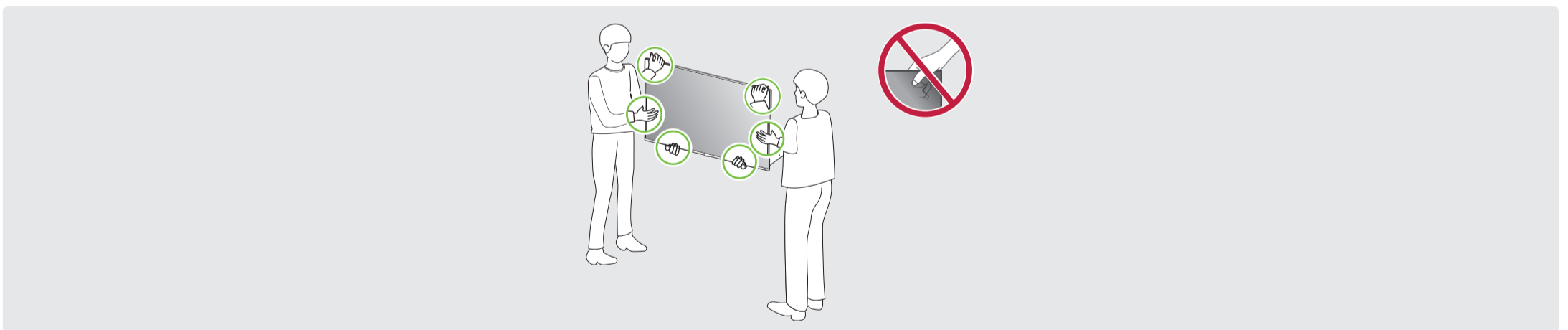
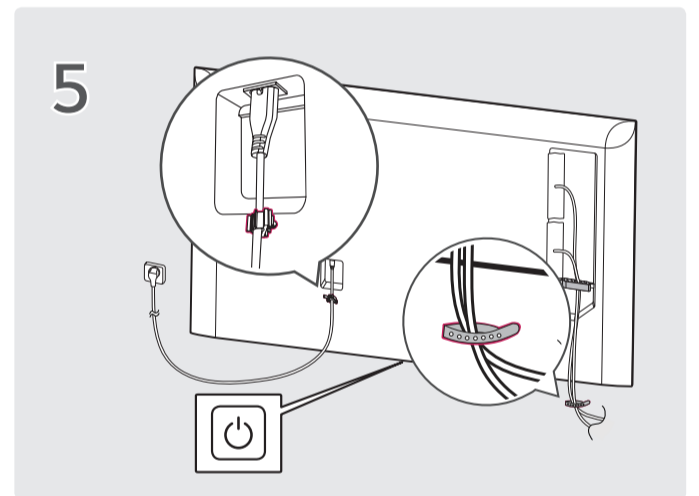
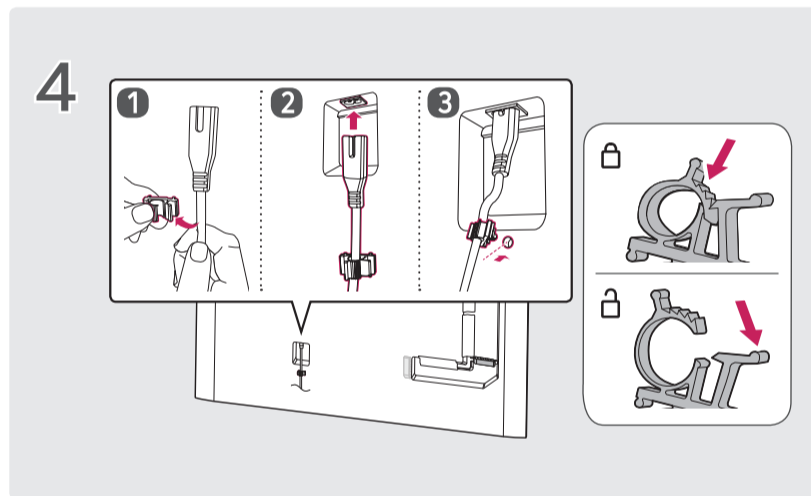
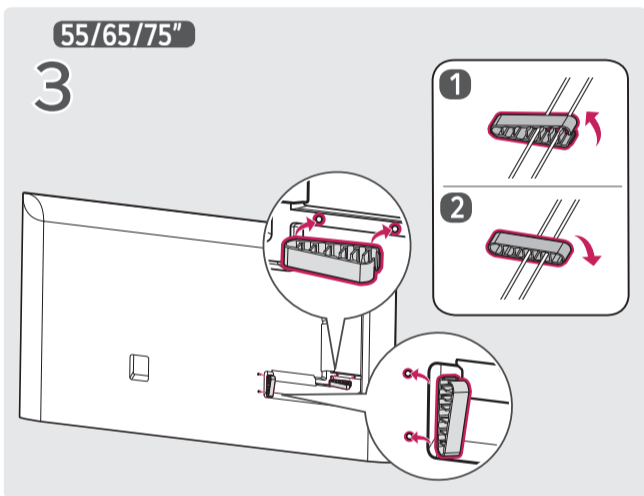
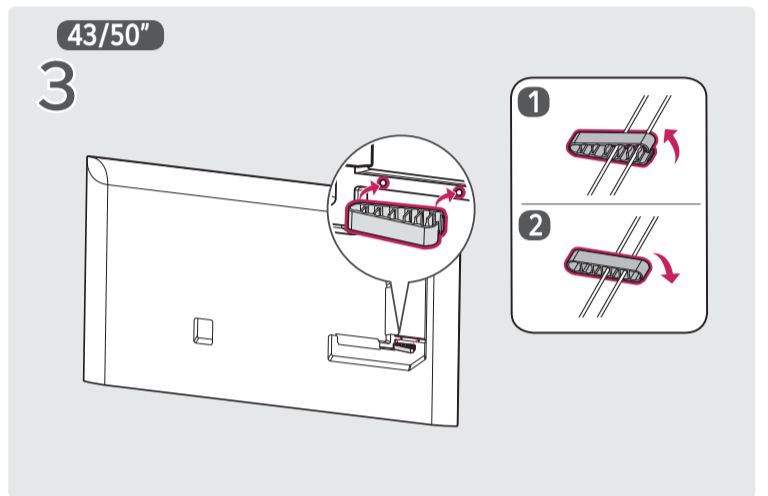
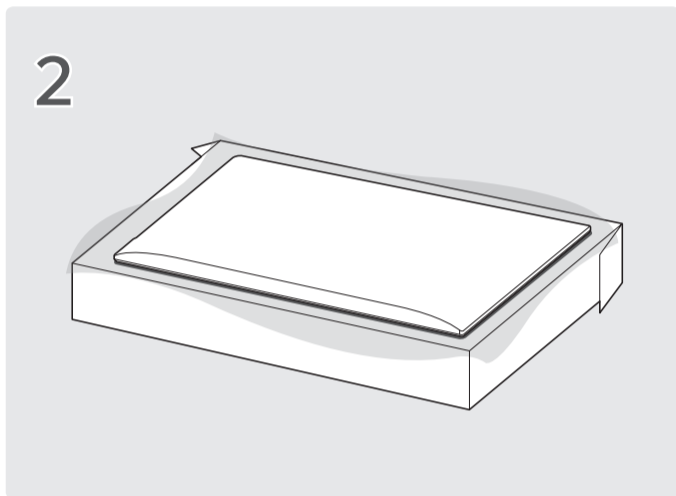
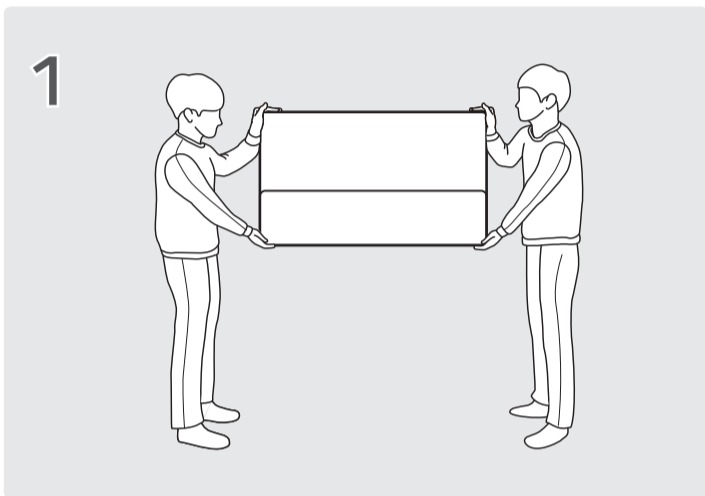
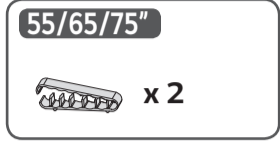
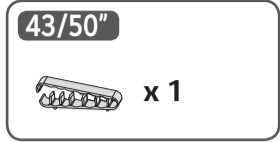
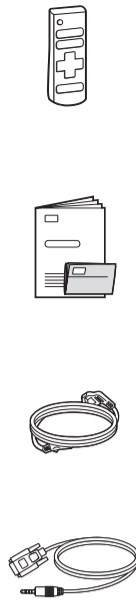
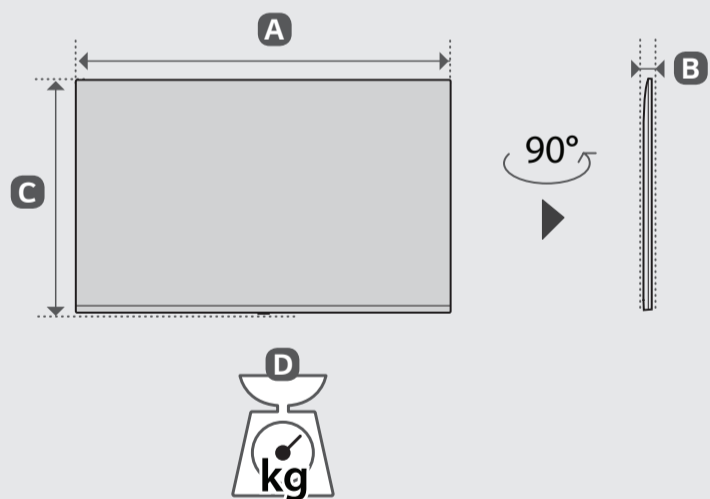
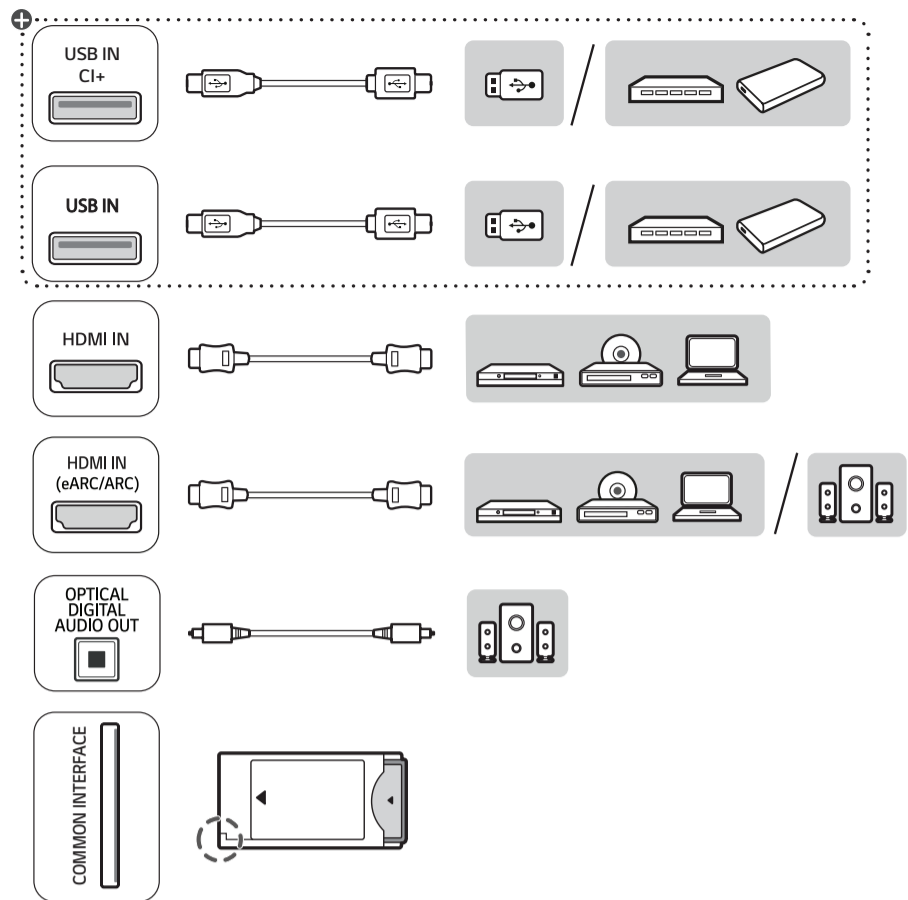
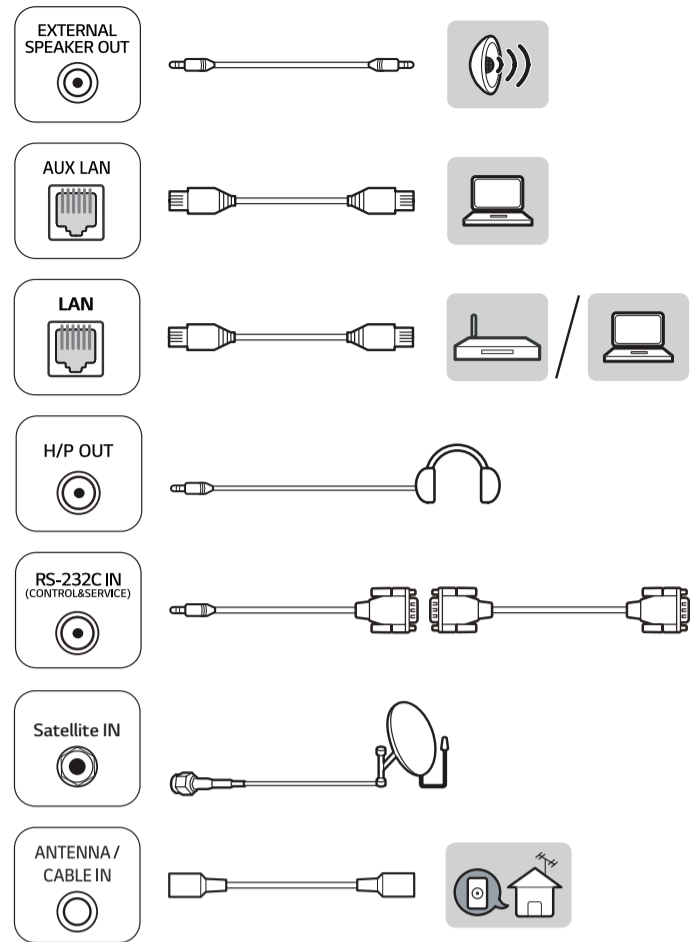




43UK767H*
 50UK767H*
 55UK767H*
 65UK767H*
 75UK767H* 43UK767V*





	A	B	C	D
	(mm)			(kg)
43UK767H0LB 43UK767V0LB	968	29.7	565	9.3
50UK767H0LB	1123	29.7	652	12.6
55UK767H0LB	1236	29.7	716	14.9
65UK767H0LB	1456	29.7	840	22.5
75UK767H0LB	1677	30.9	965	33.3
Power requirement			AC 100-240 V~ 50/60 Hz	