



OWNER'S MANUAL

RANGE HOOD



Before beginning installation, read these instructions carefully. This will simplify installation and ensure that the product is installed correctly and safely. Leave these instructions near the product after installation for future reference.

ENGLISH

HCEZ2426S HCEZ3626S



MFL71950201
Rev.04_091324

www.lg.com

Copyright © 2023-2024 LG Electronics. All Rights Reserved

TABLE OF CONTENTS

This manual may contain images or content that may be different from the model you purchased.
This manual is subject to revision by the manufacturer.

SAFETY INSTRUCTIONS

READ ALL INSTRUCTIONS BEFORE USE..... 3
WARNING 3
CAUTION 7
CARING FOR THE ENVIRONMENT 8

INSTALLATION

Product Overview..... 10
Installation 11

OPERATION

Using the Appliance..... 15

SMART FUNCTIONS

LG ThinQ Application 16

MAINTENANCE

Cleaning and Replacing..... 19

TROUBLESHOOTING

Before Calling for Service..... 21

APPENDIX

Product Fiche 23

SAFETY INSTRUCTIONS

READ ALL INSTRUCTIONS BEFORE USE

The following safety guidelines are intended to prevent unforeseen risks or damage from unsafe or incorrect operation of the appliance. The guidelines are separated into '**WARNING**' and '**CAUTION**' as described below.

Safety Messages



This symbol is displayed to indicate matters and operations that can cause risk. Read the part with this symbol carefully and follow the instructions in order to avoid risk.



WARNING

This indicates that the failure to follow the instructions can cause serious injury or death.



CAUTION

This indicates that the failure to follow the instructions can cause the minor injury or damage to the product.

WARNING

WARNING

- To reduce the risk of explosion, fire, death, electric shock, injury or scalding to persons when using this product, follow basic precautions, including the following:

Installation

- This appliance is to be properly installed and earthed only by a suitably qualified person.
- Follow the local laws applicable for external air evacuation.

- The manufacturer will not be held liable for any damages resulting from incorrect or improper installation.
- The minimum safety distance between the cooker top and the range hood is 650 mm.
- If the instructions for installation for the gas hob specify a greater distance specified above, this has to be taken into account. Regulations concerning the discharge of air have to be fulfilled.
- Check that the mains voltage corresponds to that indicated on the rating plate fixed to the inside of the range hood.
- Check that the domestic power supply guarantees adequate earthing.
- Connect the range hood to the exhaust flue through a pipe of minimum diameter 150 mm. The route of the flue must be as short as possible.
- Do not connect the range hood to exhaust ducts carrying combustion flumes (boilers, fireplaces, etc.).
- If the range hood is used in conjunction with non-electrical appliances (e.g. gas burning appliances), a sufficient degree of aeration must be guaranteed in the room in order to prevent the backflow of exhaust gas. The kitchen must have an opening communicating directly with the open air in order to guarantee the entry of clean air. When the range hood is used in conjunction with appliances supplied with energy other than electric, the negative pressure in the room must not exceed 0.04 mbar to prevent fumes being drawn back into the room by the range hood.
- Children may put packaging material over their heads or wrap themselves up in it and suffocate. Keep packaging material away from children. Do not let children play with packaging material.
- Children may breathe in or swallow small parts, causing them to suffocate. Keep small parts away from children. Do not let children play with small parts.
- The air must not be discharged into a flue that is used for exhausting fumes from appliances burning gas or other fuels.

- Do not install the range hood near a heat producing appliance for solid fuel (e.g. wood or coal) unless a closed, nonremovable cover is available. There must be no flying sparks.
- Observe 'INSTALLATION' when installing the appliance.

Operation

- The range hood has been designed exclusively for domestic use to eliminate kitchen smells. The appliance uses 4 hob elements at most.
- Never use the range hood for purposes other than for which it has been designed. The range hood is for home use only, not suitable for barbecue, roast shop and other commercial purposes.
- Never leave high naked flames under the range hood when it is in operation.
- Adjust the flame intensity to direct it onto the bottom of the pan only, making sure that it does not engulf the sides.
- Deep fat fryers must be continuously monitored during use: overheated oil can burst into flames.
- Do not flame under the range hood; risk of fire. Grease deposits in the grease filter may catch fire. Never work with naked flames close to the appliance (e.g. flambéing).
- This appliance can be used by children aged from 8 years and above and persons with reduced physical, sensory or mental capabilities or lack of experience and knowledge if they have been given supervision or instruction concerning use of the appliance in a safe way and understand the hazards involved.
- Children should be supervised to ensure that they do not play with the appliance.
- There shall be adequate ventilation of the room when the range hood is used at the same time as appliances burning gas or other fuels.
- Accessible parts may become hot when used with cooking appliances. Never touch hot parts. Keep children at a safe distance.
- Hot oil and fat can ignite very quickly. Never leave hot fat or oil unattended. Never use water to put out burning oil or fat. Switch off

the hotplate. Extinguish flames carefully using a lid, fire blanket or something similar.

- When gas burners are in operation without any cookware placed on them, they can build up a lot of heat. A range hood installed above the cooker may become damaged or catch fire. Only operate the gas burners with cookware on them.
- Operating several gas burners at the same time gives rise to a great deal of heat. A range hood installed above the cooker may become damaged or catch fire. Never operate two gas burners simultaneously on the highest flame for longer than 15 minutes. One large burner of more than 5 kW (wok) is equivalent to the power of two gas burners.
- Components inside the appliance may have sharp edges. Wear protective gloves.
- Items placed on the appliance may fall down. Do not place any objects on the appliance.
- The light emitted by LED lights is very dazzling, and can damage the eyes (risk group 1). Do not look directly into the switched on LED lights for longer than 100 seconds.
- Plug the power cord to socket outlet with earthing continuity terminal.
- Use the unit according to the instructions to avoid any fire hazard.
- Never operate the appliance without a grease filter.

Maintenance

- Do not repair or replace any part of the appliance unless specifically recommended in the manual. All other servicing should be done by a qualified technician.
- Cleaning and user maintenance shall not be made by children without supervision.
- There is a fire risk if cleaning is not carried out in accordance with the instructions.
- Switch off or unplug the appliance from the mains supply before carrying out any maintenance work.

- Clean and/or replace the filters after the specified time period (Fire hazard).
- Fatty deposits in the grease filter may catch fire. Regularly clean the grease filter.
- Prior to any maintenance, cleaning operation, ensure the power is cut off. Penetrating moisture may cause an electric shock. Do not use wet sponge cloths.
- If the supply cord is damaged, it must be replaced by the manufacturer, service agent or similarly qualified person in order to avoid a hazard. The replaced power cord should be provided by manufacturer or seller.
- If the plug or cord is damaged, contact an LG Electronics Customer Information Centre.

CAUTION

CAUTION

- To reduce the risk of injury to persons, malfunction, or damage to the product or property when using the appliance, follow basic safety precautions, including the following:

Maintenance

- Do not use corrosive detergent for cleaning. The proper function of the unit is conditioned by the regularity of the maintenance.
- If there is any fault occurred with the appliance, contact an LG Electronics Customer Information Centre.
- The grease filters may become damaged if they are squeezed. Do not squeeze the grease filters.

Disposal

- Used appliances must be rendered unusable prior to disposal so that they no longer present a risk. To achieve this, disconnect from the mains supply and remove the power supply cable.

- For the protection of the environment, used appliances must be disposed of properly.
- Your local City Council will inform you of times for collecting special waste or identify public disposal facilities for you.

CARING FOR THE ENVIRONMENT

Disposal of Your Old Appliance



- This crossed-out wheeled bin symbol indicates that waste electrical and electronic products (WEEE) should be disposed of separately from the municipal waste stream.
- Old electrical products can contain hazardous substances so correct disposal of your old appliance will help prevent potential negative consequences for the environment and human health. Your old appliance may contain reusable parts that could be used to repair other products, and other valuable materials that can be recycled to conserve limited resources.
- You can take your appliance either to the shop where you purchased the product, or contact your local government waste office for details of your nearest authorised WEEE collection point. For the most up to date information for your country please see www.lg.com/global/recycling.

Disposal of Packaging

CAUTION

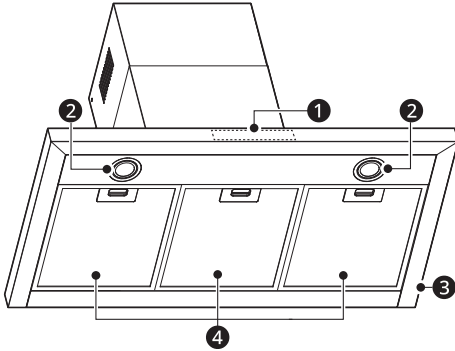
- Your new appliance has been correctly packaged for transportation. Remove all of the packaging material before putting the appliance into use.
- The packaging material can be completely recycled. You can obtain addresses for environmentally-friendly disposal operations from your local City Council.
- If you wish to store your appliance away temporarily, choose a dry, dust-free place. Dust and damp may adversely affect the working parts in the appliance.

INSTALLATION

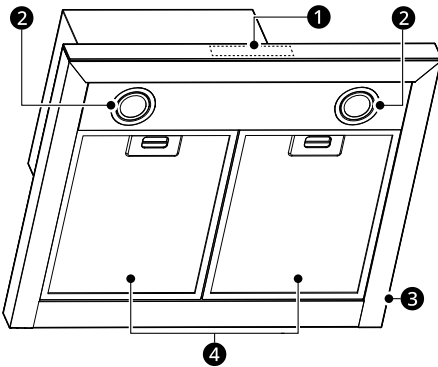
Product Overview

Parts

HCEZ3626S

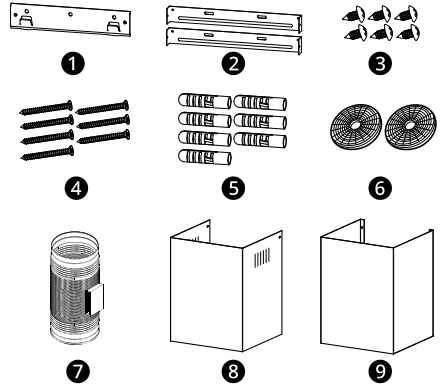


HCEZ2426S



- ❶ Control Panel
- ❷ Light
- ❸ Hood Body
- ❹ Grease Filter

Accessories



- ❶ Hood Fixing Bracket (1 ea)
- ❷ Chimney Fixing Brackets (2 ea)
- ❸ Screws ($\Phi 4.2$ mm x 9.5 mm, 6 ea)
- ❹ Screws ($\Phi 5$ mm x 50 mm, 7 ea)
- ❺ Wall Plugs (7 ea)
- ❻ Activated Charcoal Filters (2 ea)
- ❼ Exhaust Pipe with Tape (1 ea)
- ❽ Upper Decorative Chimney (1 ea)
- ❾ Lower Decorative Chimney (1 ea)

NOTE

- Always wear work gloves for all installation and maintenance operations.
- Wall plugs are provided to secure the hood to most types of walls/ceilings. However, a qualified technician must verify suitability of the materials in accordance with the type of wall/ceiling. The wall/ceiling must be strong enough to take the weight of the hood. Do not tile, grout or silicone this appliance to the wall. Surface mounting only.

Scope of Delivery

After unpacking all parts and accessories, check for any damage in transit and completeness of the delivery.

Specifications

Model	HCEZ2426S HCEZ3626S
Voltage	220 - 240 V ~ 50/60 Hz
Rated Power	253 W
Lighting Power	2 x 1.5 W
Motor Power	250 W
Diameter of Air Tube	150 mm
Air Flow	600 m ³ /h (High), 830 m ³ /h (Booster)

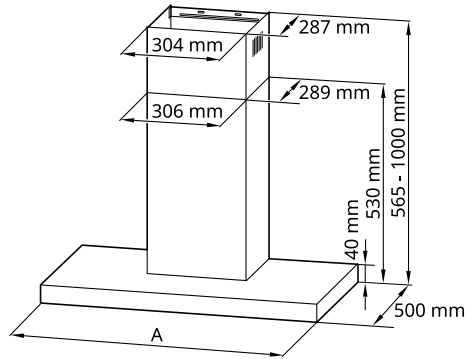
The parameters are tested under conditions of 230 V 50 Hz when the voltage is 220-240 V~ 50/60 Hz and without activated charcoal filters.

Installation

Dimensions and Clearances

- Make sure the appliance is placed horizontally to avoid grease collection at one end.
- After installation, make sure that the plug can be pulled out if necessary.
- The appliance should be placed 650-750 mm up from the cooking plate for safety and effective operation.

- There must be adequate ventilation of the room when the appliance is working.

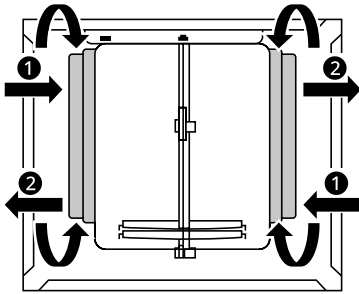


Model	HCEZ2426S	HCEZ3626S
A	598 mm	898 mm

⚠ WARNING

- The air must not be discharged into a flue that is used for exhausting fumes from appliances burning gas or other fuels.
- Do not install the range hood near a heat producing appliance for solid fuel (e.g. wood or coal) unless a closed, nonremovable cover is available. There must be no flying sparks.

clockwise ①. For the disassembly, turn counter-clockwise ②.



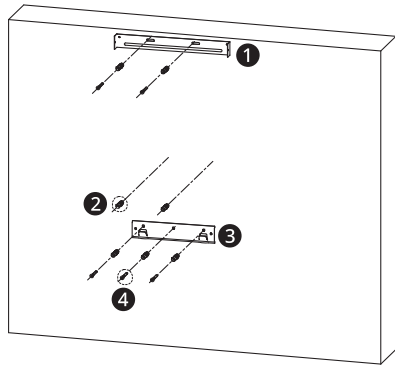
NOTE

- For recirculation mode, without the exhaust pipe, install activated charcoal filters. When activated charcoal filters attached, the suction power will be lowered.

Installing the Appliance

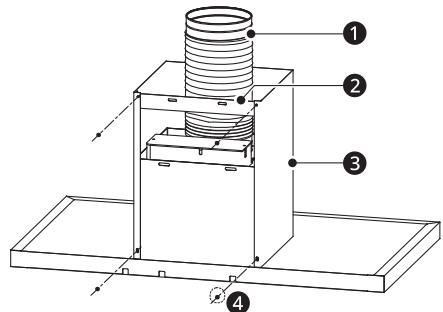
- 1 Remove the protective film from the decorative chimney and hood body.
- 2 Remove all metal grease filters using the handles provided. See MAINTENANCE chapter.
- 3 Fix the hood fixing bracket ③ at mark point (2) and the chimney fixing bracket ① at mark point (1) with the wall plugs ② and screws ④ to

the wall. Install 2 wall plugs ② on the wall for step 6.



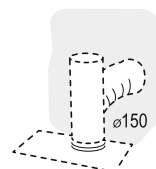
- ② Wall Plugs (7 ea)
- ④ Screws (Φ5 mm x 50 mm, 5 ea)

- 4 Fix the exhaust pipe (only for extraction-air mode) ① and lower decorative chimney ③ on the main body, connect the chimney fixing bracket ② and lower decorative chimney.



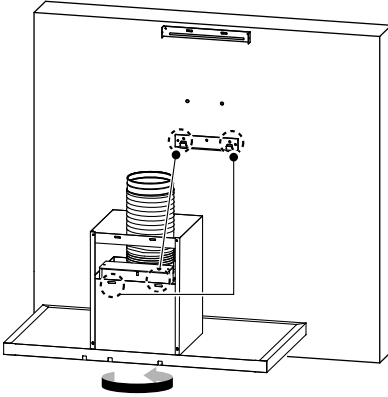
- ④ Screws (Φ4.2 mm x 9.5 mm, 4 ea)

Fix the exhaust pipe in position using tapes. When installing the ducted version, connect the appliance to the chimney using either a flexible or rigid pipe Φ150 mm, the choice of which is left to the installer.

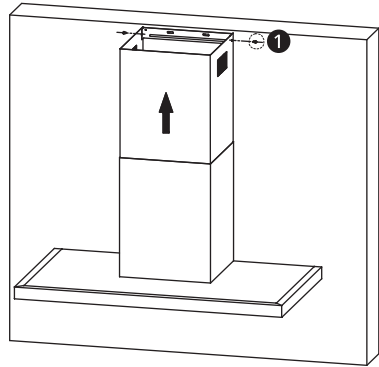


14 INSTALLATION

- 5** Hang the appliance on the hood fixing bracket.

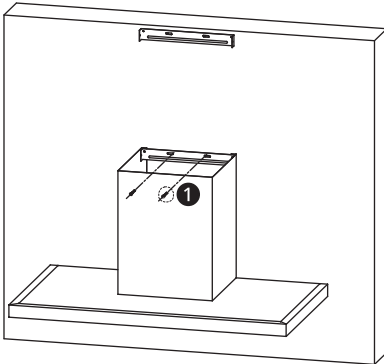


- 8** Fit the upper decorative chimney with the outlet grill at the top.



- 1** Screws ($\Phi 4.2$ mm x 9.5 mm, 2 ea)

- 6** After connecting the exhaust pipe securely, fix the chimney fixing bracket with 2 screws **1** with prepared wall plugs to prevent the appliance from accidentally sliding off the hood fixing bracket.



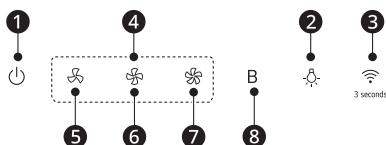
- 1** Screws ($\Phi 5$ mm x 50 mm, 2 ea)

- 7** Connect the power cord.

OPERATION

Using the Appliance

Control Panel



1 Power

- When you press the **Power** button, the appliance will turn on. At this time, a beep sound will be heard, the motor will run at low speed and the **Power** button, **Low Speed** 5 button and lamp LEDs will be on (power-on state). If you turn off the power while using the product, the appliance operates at the speed mode it was using.

2 Light

- The **Light** button independently controls the lights free from the effect of other buttons.
- When you press this button once, a beep sound will be heard, the lights and the **Light** button LED will be on.
- When you press this button again, a beep sound will be heard, the lights and the **Light** button LED will be off.

3 Wi-Fi Connection

- Press the **Wi-Fi** connection button 3 seconds. **Wi-Fi** LED will be flashing.
- When product connected with smartphone, **Wi-Fi** LED will be stopped flashing. Follow the instructions in the **LG ThinQ** application on your smartphone for using the **Wi-Fi** function.

NOTE

- Wi-Fi** is not working with any connection problems or any faults, malfunctions, or errors caused by network connection.

4 Speed Selection

Depending on the effect of each button, the appliance will operate in one of three modes: low

speed mode, middle speed mode, and high speed mode.

- 5 **Low Speed**
- 6 **Middle Speed**
- 7 **High Speed**
- 8 **Boost**

This appliance has a booster function (boost speed mode). To activate the booster, press **Boost** button and it will increase speed for 7 minutes, before slowing down again.

NOTE

- We recommend that you switch on the appliance for a few minutes before you start cooking, and then leave it running for approximately 8 minutes afterwards to ensure that all odours are extracted.

SMART FUNCTIONS

LG ThinQ Application

This feature is only available on models with Wi-Fi. The **LG ThinQ** application allows you to communicate with the appliance using a smartphone.

LG ThinQ Application Features

Communicate with the appliance from a smartphone using the convenient smart features.

Induction pairing

Allows you to choose which range hood to work with your induction.

Monitoring

This function helps you check the operation status of the product, speed mode.

Remote control

This function helps you control the speed mode.

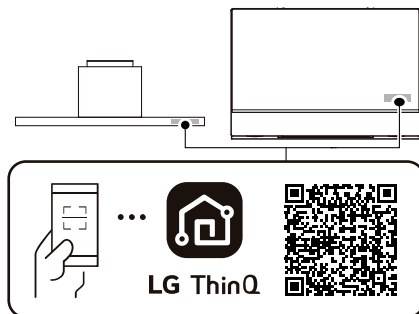
NOTE

- If you change your wireless router, Internet service provider, or password, delete the registered appliance from the **LG ThinQ** application and register it again.
- To disconnect the appliance from the **Wi-Fi** network, delete the appliance from the list of connected products in the **LG ThinQ** application.
- The application is subject to change for appliance improvement purposes without notice to users.
- Functions may vary by model.

Installing LG ThinQ Application and Connecting an LG Appliance

Models with QR Code

Scan the QR code attached to the product using the camera or a QR code reader application on your smartphone.



Models without QR Code

- 1 Search for and install the **LG ThinQ** application from the Google Play Store or Apple App Store on a smartphone.
- 2 Run the **LG ThinQ** application and sign in with your existing account or create an LG account to sign in.
- 3 Touch the add (+) button on the **LG ThinQ** application to connect your LG appliance. Follow the instructions in the application to complete the process.

NOTE

- To verify the Wi-Fi connection, check that the Wi-Fi indicator on the control panel is lit.
- The appliance supports 2.4 GHz Wi-Fi networks only. To check your network frequency, contact your Internet service provider or refer to your wireless router manual.

- **LG ThinQ** is not responsible for any network connection problems or any faults, malfunctions, or errors caused by network connection.
- The surrounding wireless environment can make the wireless network service run slowly.
- If the distance between the appliance and the wireless router is too far, the signal strength becomes weak. It may take a long time to connect or installation may fail.
- If the appliance is having trouble connecting to the Wi-Fi network, it may be too far from the router. Purchase a Wi-Fi repeater (range extender) to improve the Wi-Fi signal strength.
- The network connection may not work properly depending on the Internet service provider.
- The Wi-Fi connection may not connect or may be interrupted because of the home network environment.
- The appliance cannot be connected due to problems with the wireless signal transmission. Unplug the appliance and wait about a minute before trying again.
- If the firewall on your wireless router is enabled, disable the firewall or add an exception to it.
- The wireless network name (SSID) should be a combination of English letters and numbers. (Do not use special characters.)
- Smartphone user interface (UI) may vary depending on the mobile operating system (OS) and the manufacturer.
- If the security protocol of the router is set to **WEP**, you may fail to set up the network. Please change it to other security protocols (**WPA2** is recommended) and connect the product again.
- To disable the Wi-Fi function, press and hold the **Wi-Fi** connection button for 3 seconds. The Wi-Fi indicator will be turned off.
- To reconnect the appliance or add another user, press and hold the **Wi-Fi** connection button for 3 seconds to temporarily turn it off. Run the **LG ThinQ** application and follow the instructions in the application to connect the appliance.

Radio Equipment Specifications

Module Name	LCWB-001
Wireless LAN Frequency Range	2412 MHz - 2472 MHz
Wireless LAN Output Power (Max)	18.14 dBm
Bluetooth Frequency Range	2402 MHz - 2480 MHz
Bluetooth Output Power (Max)	7.03 dBm

Wireless function S/W version: V 1.0

For consideration of the user, this device should be installed and operated with a minimum distance of 20 cm between the device and the body.

Declaration of Conformity



Hereby, LG Electronics declares that the radio equipment type Range Hood is in compliance with Directive 2014/53/EU. The full text of the EU declaration of conformity is available at the following internet address:

<http://www.lg.com/global/support/cedoc/cedoc#>

Open Source Software Notice Information

To obtain the source code that is contained in this product, under GPL, LGPL, MPL, and other open source licenses that have the obligation to disclose source code, and to access all referred license terms, copyright notices and other relevant documents, please visit <https://opensource.lge.com>.

LG Electronics will also provide open source code to you on CD-ROM for a charge covering the cost of performing such distribution (such as the cost of media, shipping, and handling) upon email request to opensource@lge.com.

18 SMART FUNCTIONS

This offer is valid to anyone in receipt of this information for a period of three years after our last shipment of this product.

MAINTENANCE

Cleaning and Replacing

⚠ WARNING

- Switch off or unplug the appliance from the mains supply before carrying out any maintenance work.
- Make sure that the appliance is shut off before cleaning.

⚠ CAUTION

- Falling grease filters may damage the hob below. Grip below the grease filter with one hand.

Cleaning

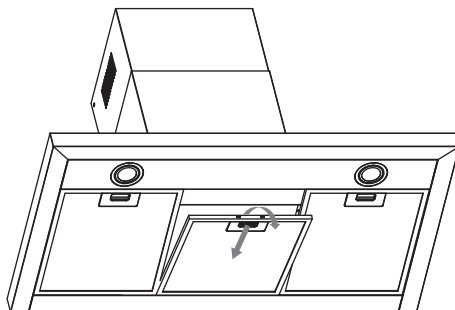
Cleaning the appliance

- 1 Observe the instructions of the cleaning agent manufacturer.
- 2 Clean stainless steel surfaces in the direction of the finish using a sponge cloth and hot soapy water. To protect the main body from corrosive of the long time accumulation of dirt, the range hood should be cleaned with hot water with noncorrosive detergent every two months.
- 3 Dry with a soft cloth.
- 4 Apply a thin layer of the stainless steel cleaning product to stainless steel surfaces using a soft cloth.

Cleaning Grease Filters in the Dishwasher

- 1 Remove all grease filters.

- 2 Put the grease filters into a dishwasher with detergent, set the temperature below 60 degrees. The filters must be cleaned every 2 months of operation, or more frequently for particularly heavy usage, and can be washed in a dishwasher.
- 3 Do not use abrasive detergent for it will damage the appliance.
- 4 Allow the grease filters to drain.
- 5 Fitting the grease filters.



The pictures in this manual are for reference only and may vary depending on the model.

NOTE

- Steam cleaner is not to be used.
- When cleaning the grease filter in the dishwasher, light discolouration may occur. This discolouration has no effect on the performance of the grease filters.

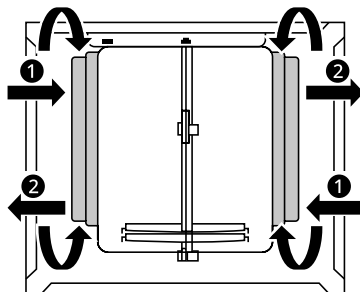
Cleaning Grease Filters manually

- 1 Observe the instructions of the cleaning agent manufacturer.

20 MAINTENANCE

- 2 Soak the grease filter in hot soapy water.
- 3 Use a brush to clean the grease filters.
- 4 Rinse the grease filters thoroughly.
- 5 Allow the grease filters to drain.
- 6 Fitting the grease filters.

- 3 Fit the new activated charcoal filters, apply one on each side as cover to both the shield grids of the motor impeller, then turn clockwise ①.



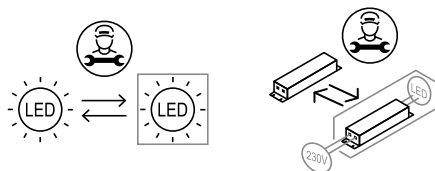
Cleaning the Control Panel

- 1 Observe the instructions of the cleaning agent manufacturer.
- 2 Clean using a damp sponge cloth and hot soapy water.
- 3 Dry with a soft cloth.

Replacing the Light

LED light

Call for service. Repairs should be performed by a licensed technician only. Improper repair may result in considerable danger to you and others.



Replacing

Replacing the Activated Charcoal Filter (Recirculation Version)

These filters are not washable and cannot be regenerated, and must be replaced approximately every 4 months of operation, or more frequently with heavy usage.

- 1 Remove the grease filters.
- 2 Remove the saturated activated charcoal filter. For the disassembly, turn counter-clockwise ②.

Round/Diameter	70 mm
Max. Power	1.5 W
Voltage	DC 12 V
Picture	
Lamp Cap	-
ILCOS D code	DSR-1.5-S-70

TROUBLESHOOTING

Before Calling for Service

Repairs should be performed by a licensed technician only. Improper repair may result in considerable danger to you and others. However, some minor problems can be resolved as in the table below:

If a problem is not solved, please contact an LG Electronics Customer Information Centre.

Parts and Features

The manufacturer will decline all responsibility if the recommendations and instructions regarding installation, maintenance and use are not observed and respected when using the appliance.

Symptoms	Possible Cause & Solution
Light on, but motor does not work	The motor is blocked. <ul style="list-style-type: none"> • Call for service.
	The internal wiring of motor is cut off/disconnected. An unpleasant smell may be produced. <ul style="list-style-type: none"> • Call for service.
Both light and motor do not work	Apart from the possibilities mentioned above, check the following: Light is damaged. <ul style="list-style-type: none"> • Call for service.
Vibration	The motor, if damaged, can cause vibration. <ul style="list-style-type: none"> • Call for service.
	The motor is not tightly fastened. <ul style="list-style-type: none"> • Call for service.
	The appliance is not securely fixed. <ul style="list-style-type: none"> • Fixed the appliance securely.
Insufficient suction	The distance between the appliance and the cooker top is too great. <ul style="list-style-type: none"> • Readjust the distance.
	Too much ventilation from open doors or windows. <ul style="list-style-type: none"> • Close some doors / windows.
The appliance is not level	The fixing screws are not tight enough. <ul style="list-style-type: none"> • Tighten the fixing screws and ensure that the appliance is horizontal.
	The hanging screws are not tight enough. <ul style="list-style-type: none"> • Tighten the hanging screws and ensure that the appliance is horizontal.

Wi-Fi

Symptoms	Possible Cause & Solution
Your home appliance and smartphone are not connected to the Wi-Fi network.	The password for the Wi-Fi that you are trying to connect to is incorrect. <ul style="list-style-type: none"> Find the Wi-Fi network connected to your smartphone and remove it, then register your appliance on LG ThinQ.
	Mobile data for your smartphone is turned on. <ul style="list-style-type: none"> Turn off the Mobile data of your smartphone and register the appliance using the Wi-Fi network.
	The wireless network name (SSID) is set incorrectly. <ul style="list-style-type: none"> The wireless network name (SSID) should be a combination of English letters and numbers. (Do not use special characters.)
	The router frequency is not 2.4 GHz. <ul style="list-style-type: none"> Only a 2.4 GHz router frequency is supported. Set the wireless router to 2.4 GHz and connect the appliance to the wireless router. To check the router frequency, check with your Internet service provider or the router manufacturer.
	The distance between the appliance and the router is too far. <ul style="list-style-type: none"> If the distance between the appliance and the router is too far, the signal may be weak and the connection may not be configured correctly. Move the location of the router so that it is closer to the appliance.

APPENDIX

Product Fiche

Product Fiche

(EU) No 65/2014

Trademark	LG Electronics	
Model identification	HCEZ2426S	HCEZ3626S
Annual Energy Consumption (AEC_{hood})	60.0 kWh/a	60.0 kWh/a
Energy Efficiency class	A	A
Fluid Dynamic Efficiency (FDE_{hood})	29.5	29.9
Fluid Dynamic Efficiency class	A	A
Lighting Efficiency (LE_{hood})	59.0 lux/Watt	52.5 lux/Watt
Lighting Efficiency class	A	A
Grease Filtering Efficiency (GFE_{hood})	75.1 %	75.1 %
Grease Filtering Efficiency class	C	C
Air flow at minimum / maximum speed in normal use	Minimum speed: 280 m ³ /h Maximum speed: 600 m ³ /h	Minimum speed: 280 m ³ /h Maximum speed: 600 m ³ /h
Air flow at intensive or boost setting	830 m ³ /h	830 m ³ /h
Airborne acoustical A-weighted sound power emissions at minimum / maximum speed in normal use	Minimum speed: 55 dB Maximum speed: 70 dB	Minimum speed: 55 dB Maximum speed: 70 dB
Airborne acoustical A-weighted sound power emissions at intensive or boost setting	77 dB	77 dB
Power Consumption in off mode (P_o)	N/A	N/A
Power Consumption in standby mode (P_s)	0.50 W	0.50 W

Information for Domestic Range Hood

(EU) No 66/2014

Trademark	LG Electronics	
Model identification	HCEZ2426S	HCEZ3626S
Annual Energy Consumption (AEC_{hood})	60.0 kWh/a	60.0 kWh/a
Time increase factor (F)	0.9	0.9
Fluid Dynamic Efficiency (FDE_{hood})	29.5	29.9
Energy Efficiency Index (EEI_{hood})	54.6	54.0
Measured air flow rate at best efficiency point (Q_{BEP})	391.5 m ³ /h	404.0 m ³ /h
Measured air pressure at best efficiency point (P_{BEP})	459 Pa	458 Pa
Maximum air flow (Q_{max})	830.0 m ³ /h	830.0 m ³ /h
Measured electric power input at best efficiency point (W_{BEP})	169.0 W	172.0 W
Nominal power of the lighting system (W_L)	4.0 W	4.0 W
Average illumination of the lighting system on the cooking surface (E_{middle})	236 lux	210 lux
Measured power consumption in standby mode (P_s)	0.50 W	0.50 W
Measured power consumption in off mode (P_o)	N/A	N/A
Sound power level (L_{WA})	Minimum speed: 55 dB Maximum speed: 70 dB	Minimum speed: 55 dB Maximum speed: 70 dB

"Q_{max}" is the maximum air flow of the domestic range hood, including intensive/boost mode if present, in m³/h and rounded to the first decimal place.

The mere presence of a manual switch or setting decreasing the air flow of the appliance to a value lower than or equal to "650 m³/h" is not considered fulfilling this requirement.

Memo

Memo

Memo

