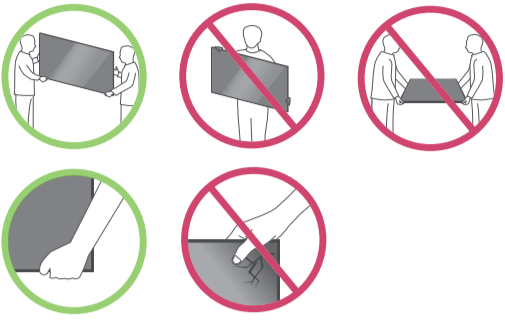
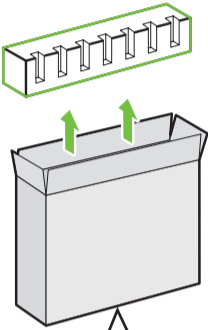


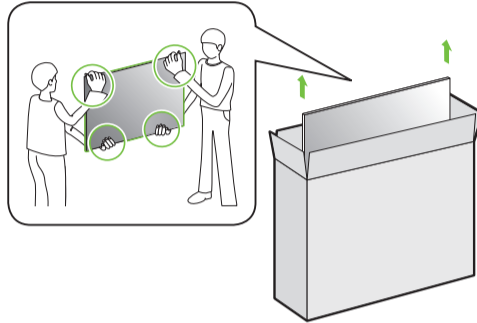
NANO75* NANO77* NANO79*



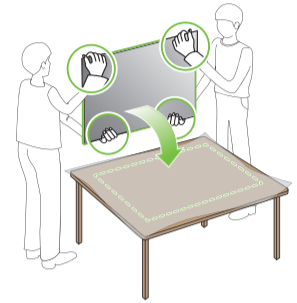
1
50/55NANO75*
50/55NANO77*
50/55NANO79*



2

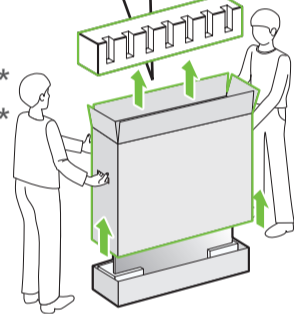


3

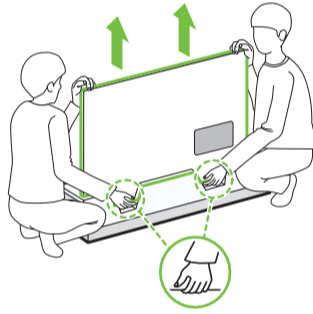


AA			a x 4 (M4 x L16)	b x 4 (M4 x L20)	x 6 (M4 x L20)
			50NANO75*	55NANO75*	65NANO75*
			50NANO77*	55NANO77*	65NANO79*
			50NANO79*	55NANO79*	

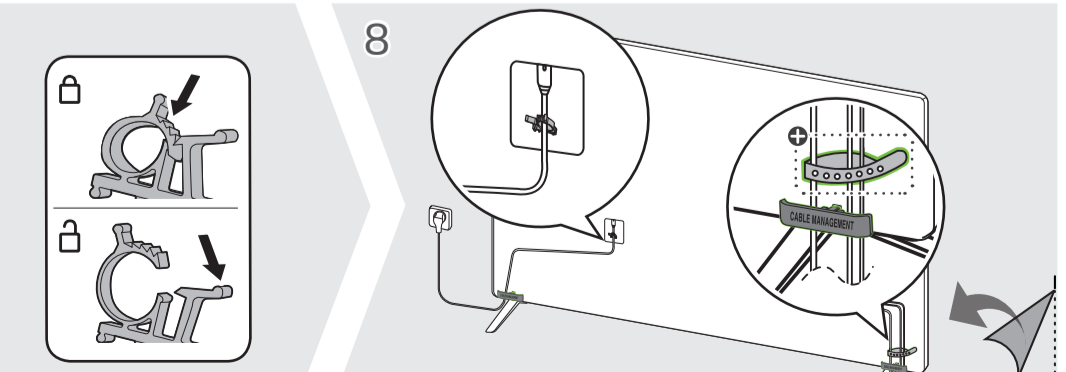
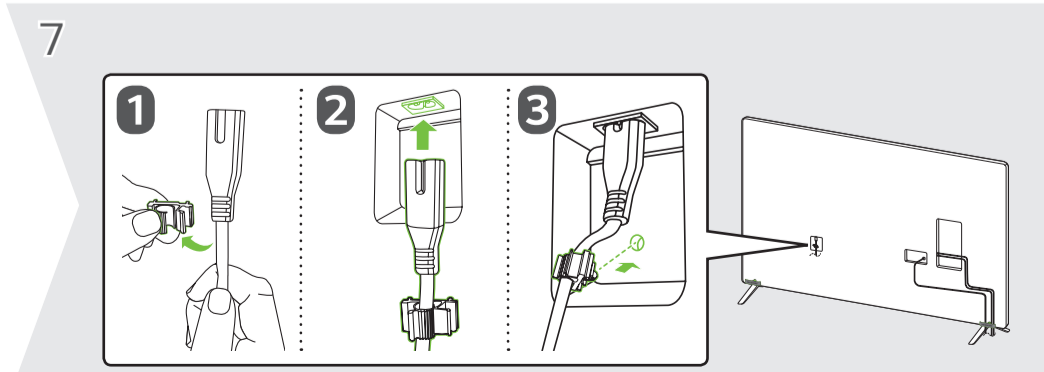
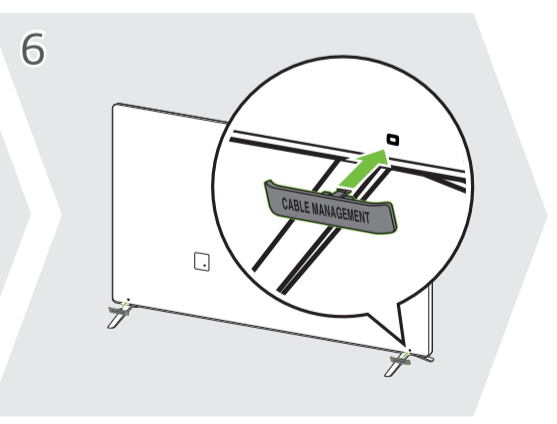
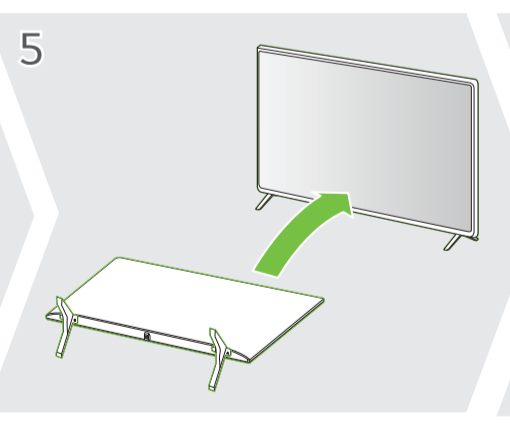
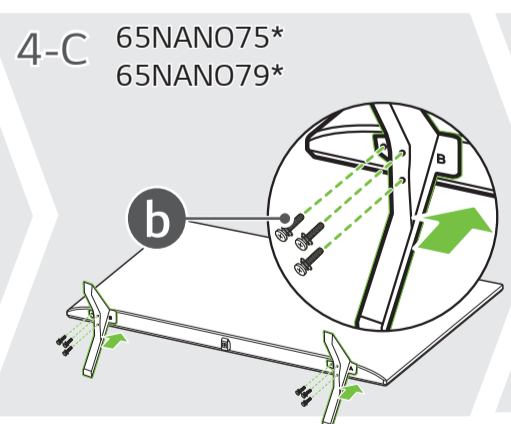
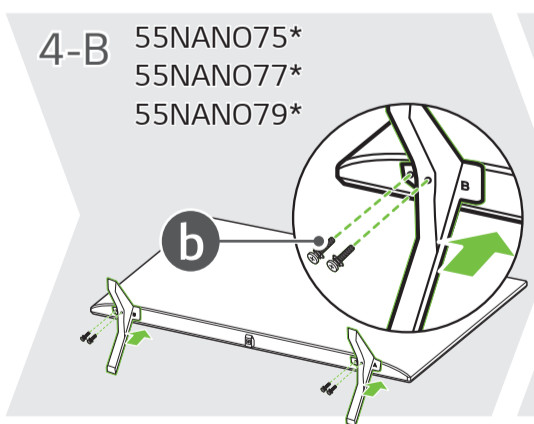
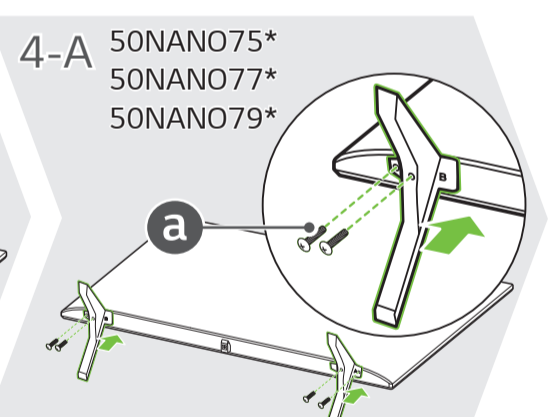
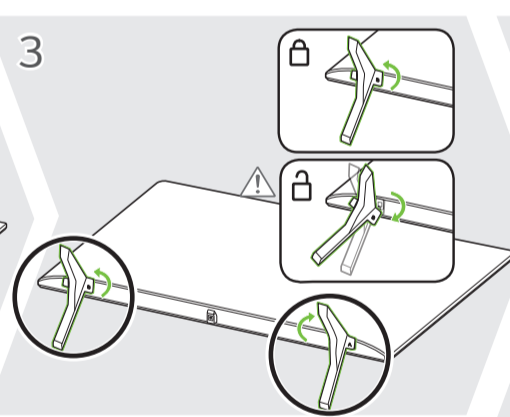
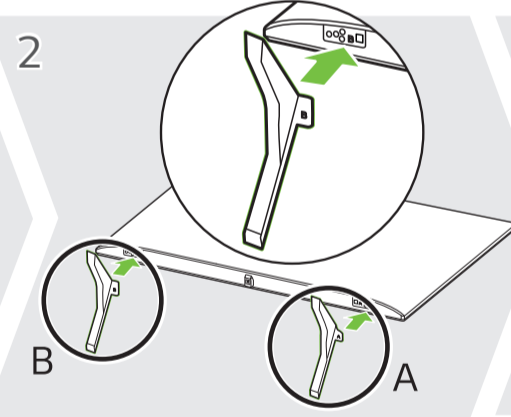
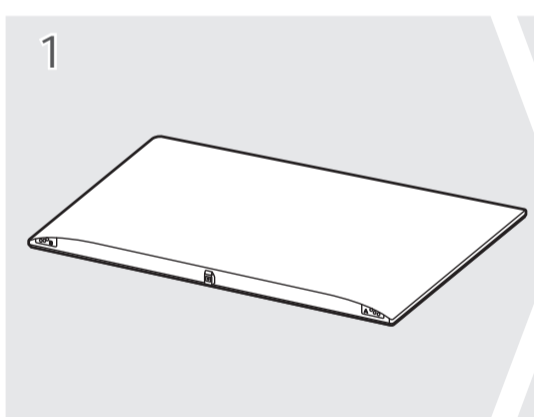
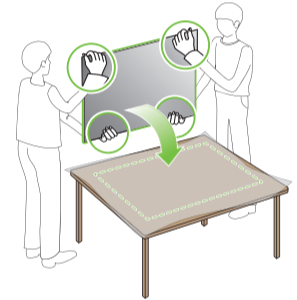
1
65NANO75*
65NANO79*

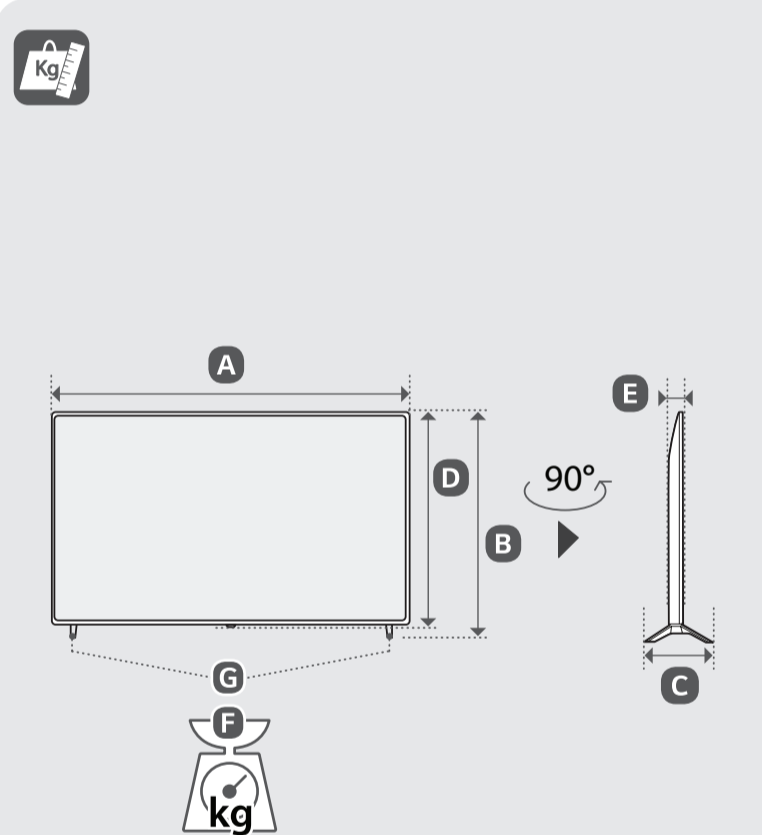
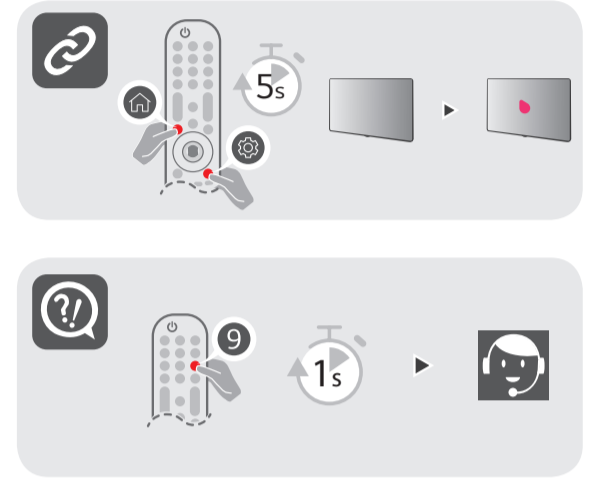
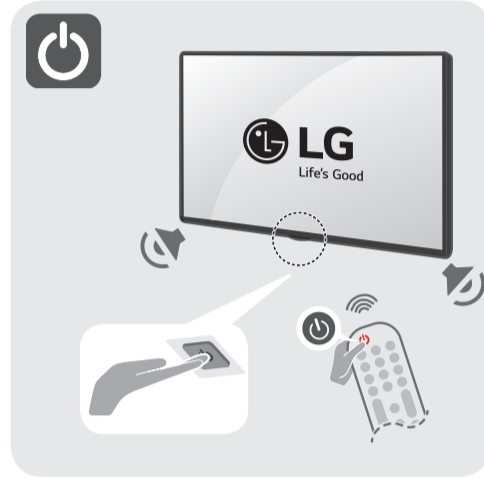
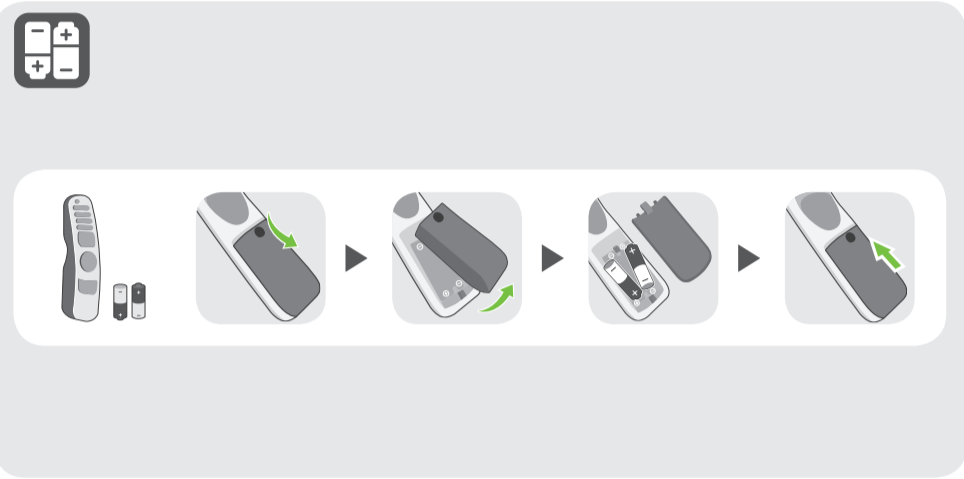
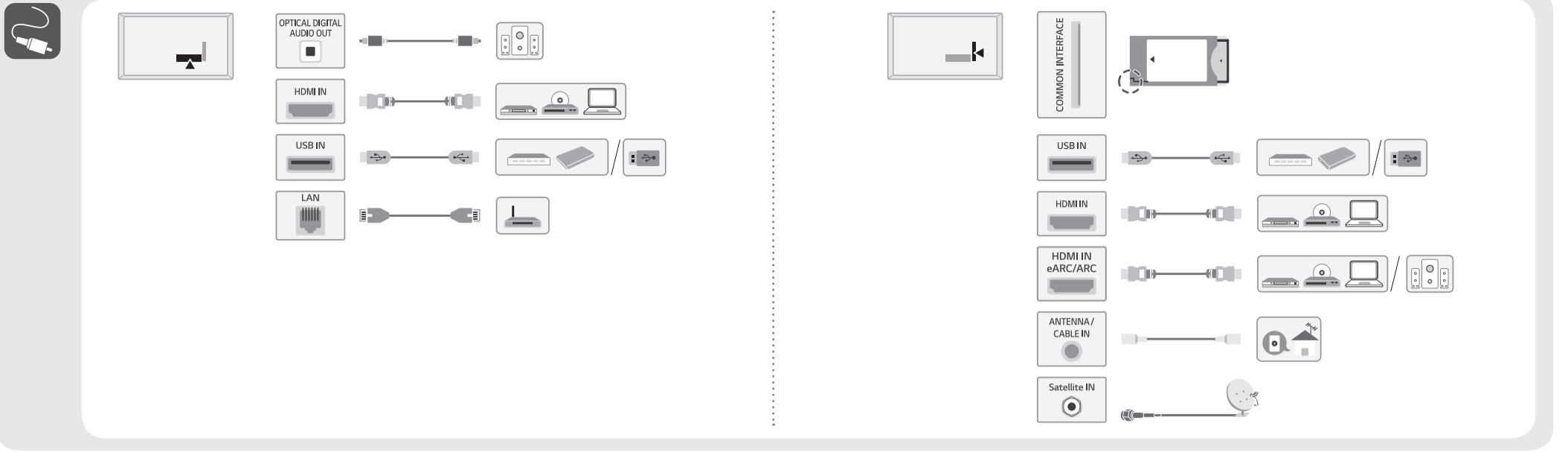


2



3





	A	B	C	D	E	F	F-G
	(mm)					(kg)	
50NANO756PA	1121	708	232	651	57.7	12.4	12.2
50NANO759PA							
50NANO753PA							
50NANO756PR							
50NANO759PR							
50NANO753PR							
50NANO776PA							
50NANO779PA							
50NANO773PA							
50NANO796PB							
50NANO799PB							
50NANO793PB							
55NANO756PA	1235	774	232	715	58.1	14.8	14.6
55NANO759PA							
55NANO753PA							
55NANO756PR							
55NANO759PR							
55NANO753PR							
55NANO776PA							
55NANO779PA							
55NANO773PA							
55NANO796PB							
55NANO799PB							
55NANO793PB							
65NANO756PA	1454	900	271	838	58.4	22.9	22.6
65NANO759PA							
65NANO753PA							
65NANO756PR							
65NANO759PR							
65NANO753PR							
65NANO796PB							
65NANO799PB							
65NANO793PB							
Power requirement / Güç gereksinimi / Alimentation / متطلبات الطاقة							



- English** • Read **Safety and Reference**.
- Türkçe** • **Güvenlik ve Referans** bölümünü okuyun.
- Français** • Lire le document **Sécurité et référence**.

العربية • قراءة الأمان والمرجع.

⊕ : Depending on model / Modele bağlı olarak değişiklik gösterebilir / Selon le modèle / حسب الطراز