



ENGLISH

SIMPLE MANUAL

DVD MINI HI-FI AUDIO

Please read this manual carefully before operating your set and retain it for future reference.

To view the instructions of advanced features, visit <http://www.lg.com> and then download Owner's Manual. Some of the content in this manual may differ from your unit.

MODEL
OL55D



MFL71422001
1903_Rev01

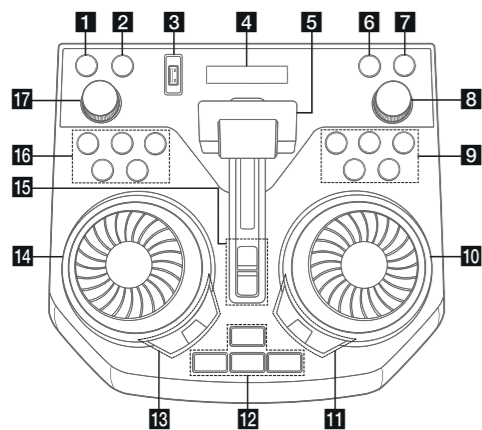
www.lg.com

Copyright © 2019 LG Electronics Inc. All Rights Reserved.





Top panel



- 1** **(Standby)**
Turns the power on or off.
- 2** **USB REC / DEMO**
- Records to USB.
- Stops recording.
- In power off status, if you press **USB REC / DEMO**, show demo mode.
- 3** **USB Port**
You can play sound files by connecting the USB device.
- 4** **Display window**
- 5** **PARTY ACCELERATOR lever**
Slide the lever to create a party atmosphere.
- 6** **F (Function)**
Selects the function and input source.
- 7** **TWIN**
Connects two speakers for TWIN mode in WIRELESS PARTY LINK.
- 8** **MASTER VOL. (Volume) -/+**
Adjusts speaker volume.
- 9** **KK / DD (Skip/Scan)**
- Skips backward or forward.
- Scans for a section within a track/file/chapter.
- Selects the radio stations.
DI (Play/Pause)
- Starts or pauses playback.
- Selects stereo/mono.

- (Stop)**
Stops playback or cancels DELETE function.
- (Open/Close)**
Opens and closes the disc tray.
- 10** **DJ SCRATCHER / SEARCH & MULTI**
- Turns clockwise or counterclockwise to make scratch sound.
- Searches a folder or a file (USB only).
- 11** **SPECIAL EQ / BASS BLAST (or BASS BLAST+)**
- Chooses special equalizer.
- Press and hold to select BASS (or BASS+) effect directly.
- SEARCH**
Moves to folder or file in selection mode (USB only).
- OK**
Selects a folder when searching a file.
- 12** **PARTY STARTER**
- In power off state, this function turns on the unit with Party Kick Starter sound.
- In power on state, this function mixes the music with Party Kick Starter sound.
- CLUB, DRUM, USER (DJ PAD)**
Selects CLUB, DRUM or USER sound effect to mix.
(If you want to use USER, you have to register a source with "LG XBOOM" app.)
- 1, 2, 3 (DJ PAD)**
Press a desired sound pad.
- 13** **DJ EFFECT**
Selects a desired DJ effect.
- USER EQ**
Selects the equalizer created by your own.
- LIGHTING**
Selects the lighting mode.
- 14** **DJ SCRATCHER / LEVEL CONTROL**
- Turns clockwise or counterclockwise to make scratch sound.
- Turns clockwise or counterclockwise to control the USER EQ level.
- Adjust DJ EFFECT level.
- Selects the vocal effects.
- Selects the lighting effects.
- 15** **PARTY ACCELERATOR MODE**
Selects PARTY ACCELERATOR MODE.
- DJ LOOP**
Selects DJ LOOP mode.
(DJ LOOP mode can use during USB playback.)

- 16** **KEY CHANGER (b / #)**
Changes the key to suit your vocal range.

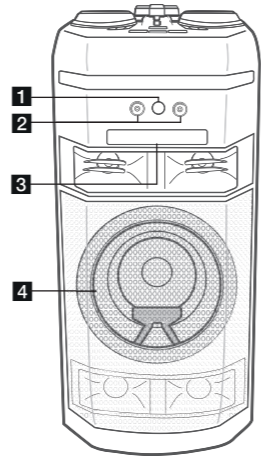
VOICE CANCELLER
You can reduce the vocal tones during music playback from various input sources.

VOCAL EFFECTS
Selects various vocal effects mode.

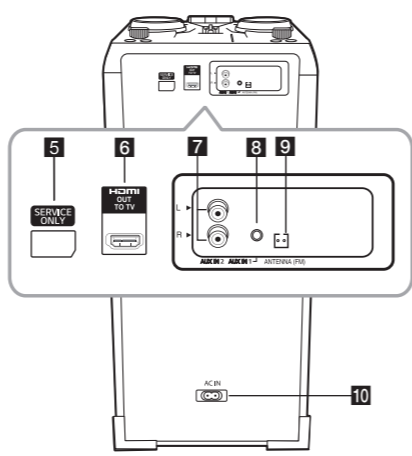
MIC ECHO
Selects ECHO mode.

- 17** **MIC VOL. (Microphone Volume) -/+**
Adjust microphone volume.

Front panel / Rear panel



- 1** **R** (Remote sensor)
- 2** **MIC**(Microphone) 1/2 jack
- 3** **Disc tray**
- 4** **Lighting**

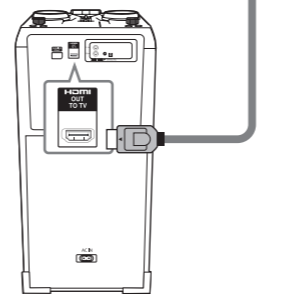
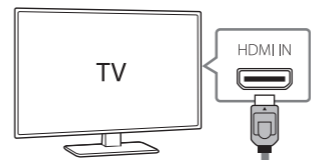


- 5** **SERVICE ONLY: S/W** download connector
- 6** **HDMI OUT TO TV.** Connect to TV
- 7** **AUX IN 2 (L/R):** Connect an auxiliary device.
- 8** **AUX IN 1:** Connect a portable device.
- 9** **ANTENNA (FM)**
- 10** **AC IN** socket

1 TV Connection

HDMI Connection :
Connect with the Player and TV using HDMI .

- 1** Connect the Player to the TV using HDMI cable.
- 2** Set the input selector to HDMI on the TV.
- 3** Follow the instructions on the TV screen using remote control.



2 Home Menu

Home menu appears on the TV screen. Enjoy various functions on the player.



! Home menu only appears on DVD/CD function.

Additional Information

Specifications

Power Requirements	Refer to the main label on the unit.
Power Consumption	Refer to the main label on the unit.
Dimensions (W x H x D)	Approx. 330.0 mm x 716.0 mm x 318.0 mm
Bus Power Supply (USB)	5 V 500 mA
Amplifier (Total RMS output power)	600 W RMS

Design and specifications are subject to change without notice.

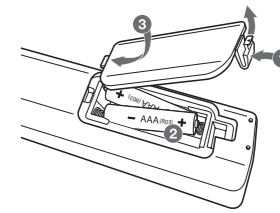
Caution

- Connect the power cord to wall outlet directly if possible. Or when you use an extension cable, it is highly recommended to use an extension cable of 110 V / 15 A or 230 V / 15 A, otherwise the unit may not operate properly because of the lack of power supply.
- Do not overload the extension cord with excessive electrical load.

Note

- Do not look directly at the light emitting part when the LIGHTING is turned on.
- If the illumination brightness is glaring, switch on the room lights or turn off the LIGHTING of the unit.

Replacement of battery



POWER: This unit operates on a mains supply of 200 - 240 V ~, 50 / 60 Hz.

Wiring: This unit is supplied with a BS 1363 approved main plug. When replacing the fuse, always use a fuse of the same rating and approved to BS 1362. Never use this plug with the fuse cover omitted. To obtain a replacement fuse cover contact your dealer. If the type of plug supplied is not suitable for the mains sockets in your home, then the plug should be removed and a suitable type fitted. Please refer to the wiring instructions below:

Warning: A mains plug removed from the mains lead of this unit must be destroyed. A mains plug with bared wires is hazardous if inserted in a mains socket. Do not connect either wire to the earth pin, marked with the letter E or with the earth symbol or coloured green or green and yellow. If any other plug is fitted, use same rating of fuse in the plug.

Important: The wires in this mains lead are coloured in accordance with the following codes:

- **BLUE: NEUTRAL, BROWN: LIVE:** As the colours of the wires in the mains lead of this unit may not correspond with the coloured marking identifying the terminals in your plug, proceed as follows: The wire which is coloured blue must be connected to the terminal which is marked with the letter N or coloured black. The wire which is coloured brown must be connected to the terminal which is marked with the letter L or coloured red.

Controller App



Download the **LG XBOOM** App to your device. (Android only)

LG Sound Sync (Wireless)



For more information, download the online owner's manual. <http://www.lg.com>