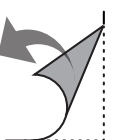
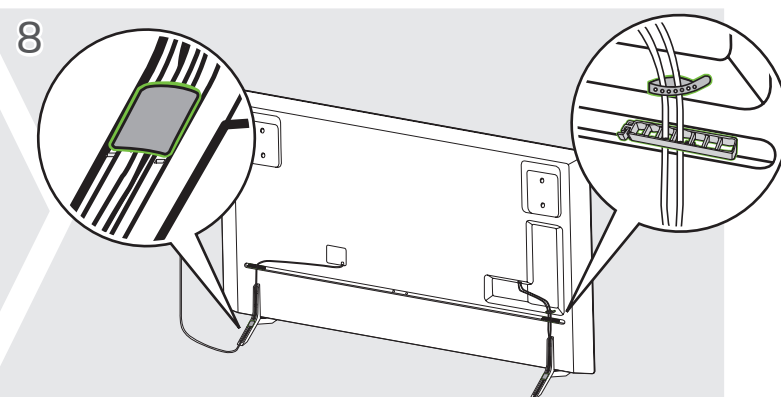
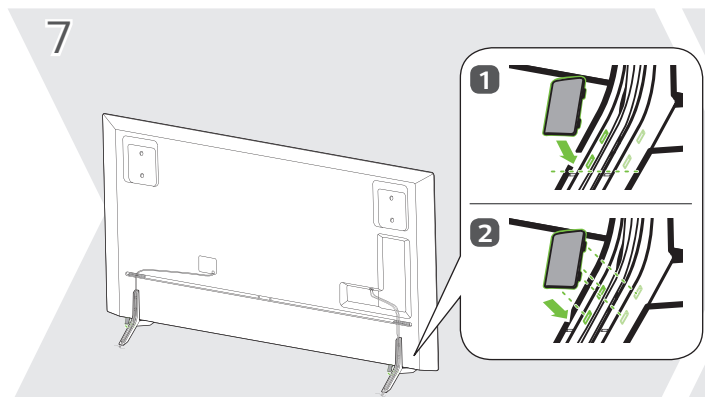
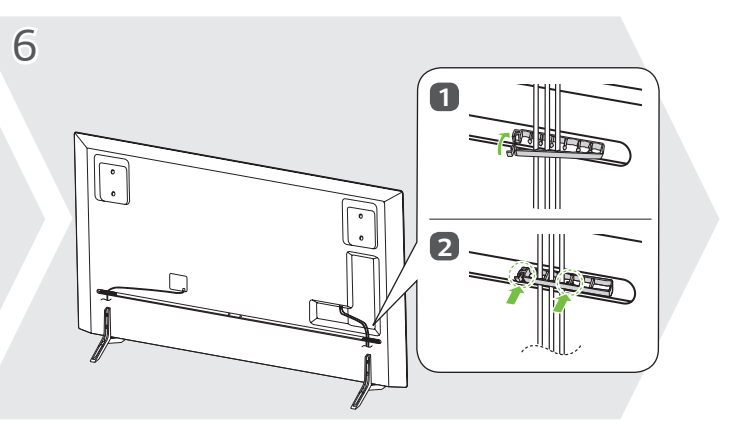
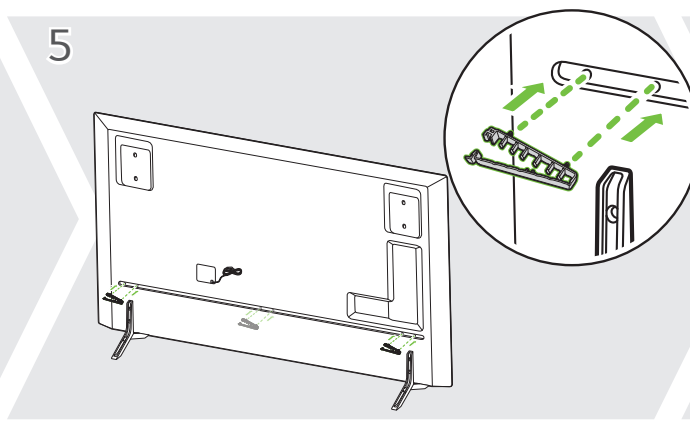
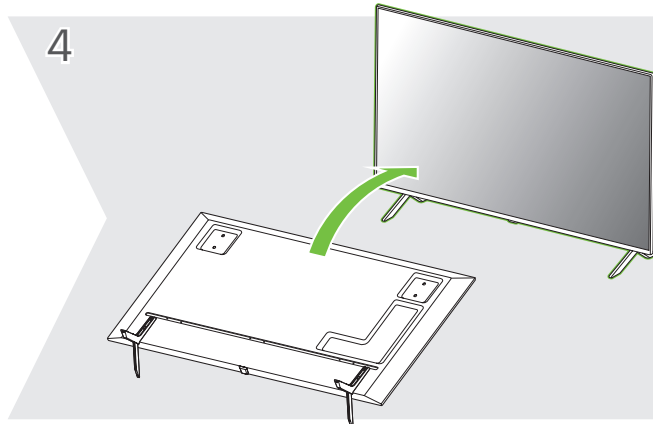
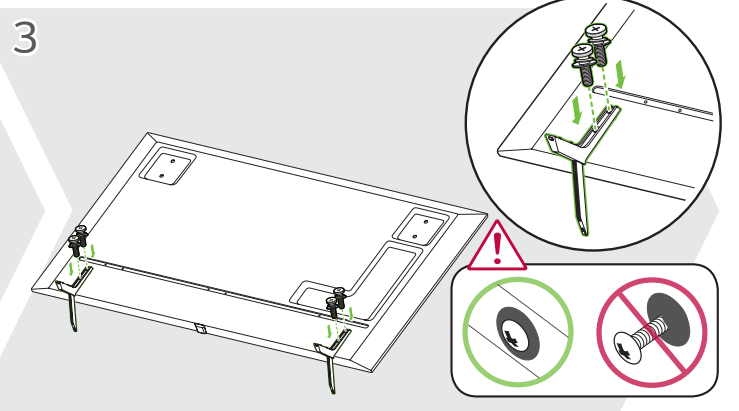
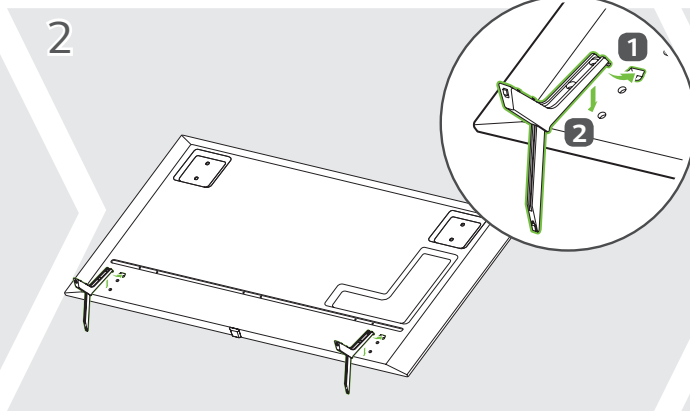
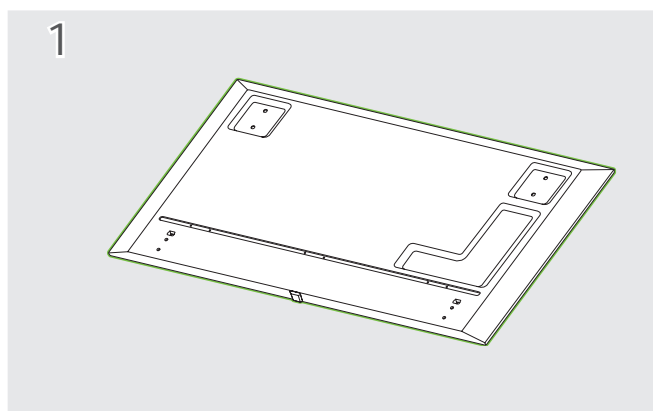
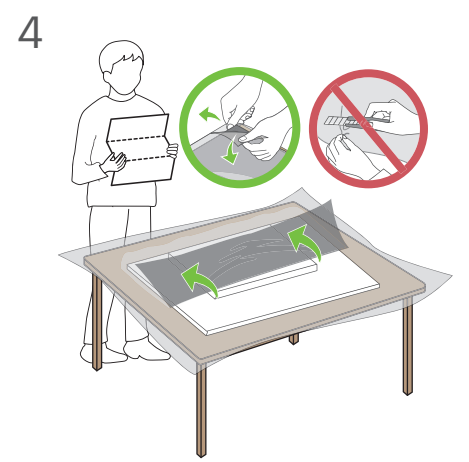
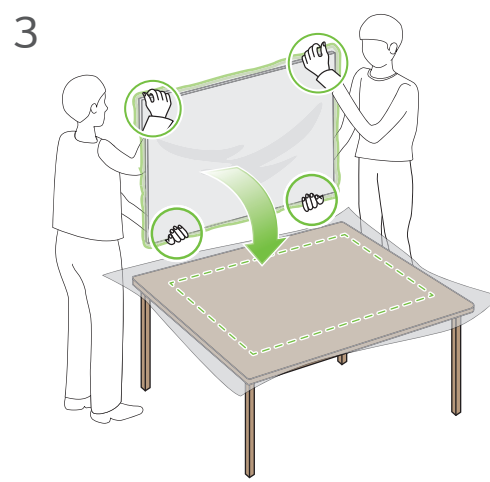
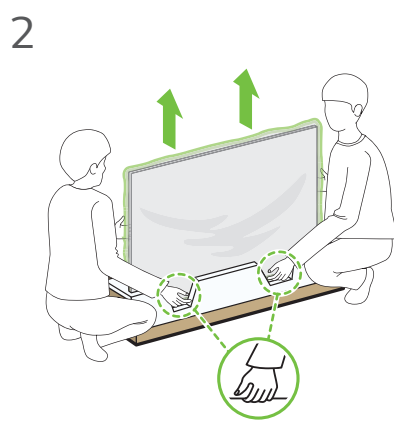
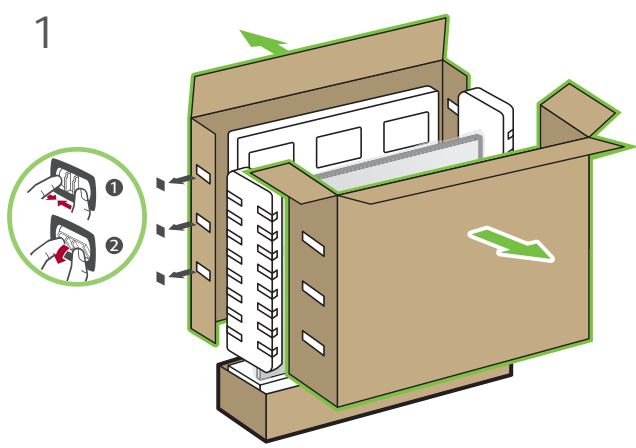
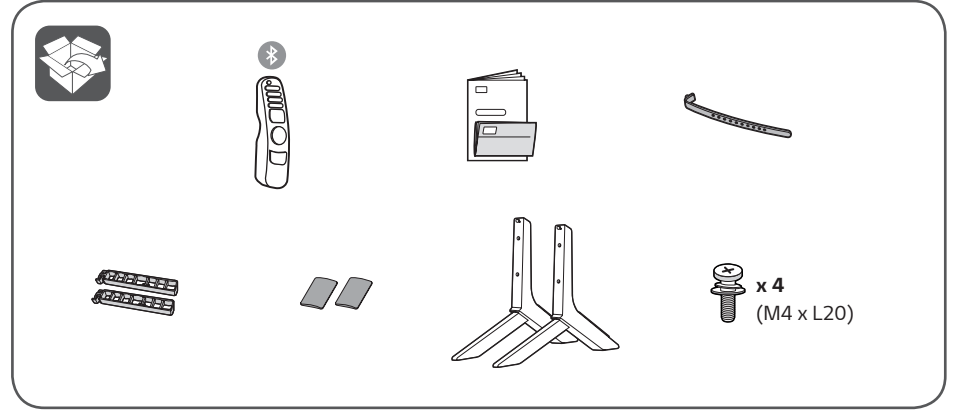
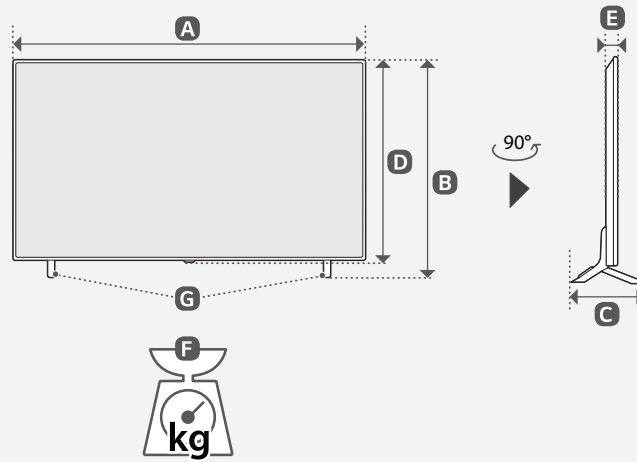
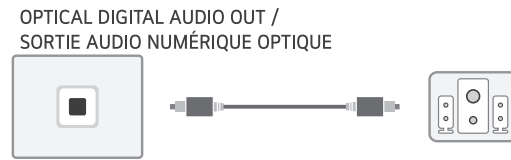
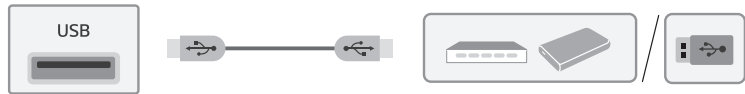


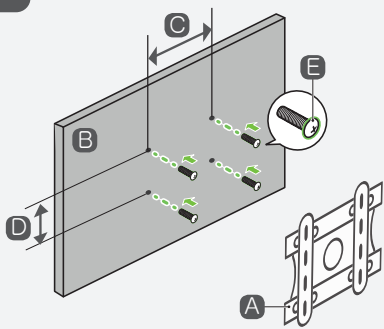
86QNED85ARA
86QNED85URA
86QNED85SRA





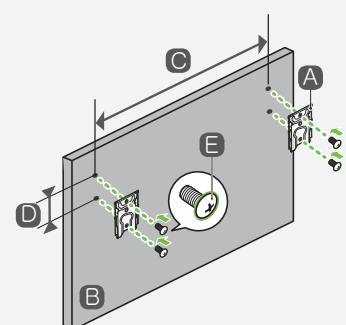
mm (inches / pulgadas / po)
kg (lbs / libras / lb)

MODELS MODELOS MODÈLES DESCRIÇÃO	A	B	C	D	E	F	F - G	Power consumption Consumo de potencia Consommation électrique Consumo de Energia
86QNE85SARA 86QNE85SURA 86QNE85SRA	1 925 mm (75.7) inches	1 165 mm (45.8) inches	359 mm (14.1) inches	1 105 mm (43.5) inches	46.1 mm (1.8) inches	60.1 kg (132.4) lbs	59.1 kg (130.2) lbs	415 W



mm (inches / pulgadas / po)

A	B	C x D	E
LSW640B	86QNE85*	600 x 400 mm (23.6 x 15.7) inches	M8



mm (inches / pulgadas / po)

A	B	C x D	E
WB21LGB	86QNE85*	1 586 x 125 mm (62.4 x 4.9) inches	M8

