



Scan the QR code to see the manual.



OWNER'S MANUAL

FRIDGE & FREEZER



Before beginning installation, read these instructions carefully. This will simplify installation and ensure that the product is installed correctly and safely. Leave these instructions near the product after installation for future reference.

ENGLISH



MFL71808310
Rev.01_082125

www.lg.com

Copyright © 2025 LG Electronics. All Rights Reserved

TABLE OF CONTENTS

This manual may contain images or content that may be different from the model you purchased.

This manual is subject to revision by the manufacturer.

SAFETY INSTRUCTIONS

READ ALL INSTRUCTIONS BEFORE USE.....	3
WARNING.....	3
CAUTION	9

INSTALLATION

Before Installation	11
Levelling the Appliance	12
Turning on the Power.....	12
Moving the Appliance for Relocation	12

OPERATION

Before Use	14
Product Features.....	17
Control Panel.....	19
Icemaker	20
Fridge Drawer.....	20
Door Basket	21
Shelf.....	21

MAINTENANCE

Cleaning	22
----------------	----

TROUBLESHOOTING

Before Calling for Service.....	23
---------------------------------	----

APPENDIX

Information.....	27
------------------	----

SAFETY INSTRUCTIONS

READ ALL INSTRUCTIONS BEFORE USE

The following safety guidelines are intended to prevent unforeseen risks or damage from unsafe or incorrect operation of the appliance. The guidelines are separated into 'WARNING' and 'CAUTION' as described below.

Safety Messages



This symbol is displayed to indicate matters and operations that can cause risk. Read the part with this symbol carefully and follow the instructions in order to avoid risk.



WARNING

This indicates that the failure to follow the instructions can cause serious injury or death.



CAUTION

This indicates that the failure to follow the instructions can cause the minor injury or damage to the product.

WARNING



WARNING

- To reduce the risk of explosion, fire, death, electric shock, injury or scalding to persons when using this product, follow basic precautions, including the following:

Technical Safety

- This appliance can be used by children aged from 8 years and above and persons with reduced physical, sensory or mental capabilities or lack of experience and knowledge if they have been given supervision or instruction concerning use of the appliance in a safe way and understand the hazards involved. Children shall not play with the

4 SAFETY INSTRUCTIONS

appliance. Cleaning and user maintenance shall not be made by children without supervision.

- This appliance is not intended for use by persons (including children) with reduced physical, sensory or mental capabilities, or lack of experience and knowledge, unless they have been given supervision or instruction concerning use of the appliance by a person responsible for their safety. Children should be supervised to ensure that they do not play with the appliance.
- Children aged from 3 to 8 years are allowed to load and unload refrigerating appliances.
- This appliance is intended to be used in household and similar applications such as:
 - staff kitchen areas in shops, offices and other working environments;
 - farm houses and by clients in hotels, motels and other residential type environments;
 - bed and breakfast type environments;
 - catering and similar non-retail applications.
- This refrigerating appliance is not intended to be used as a built-in appliance.
- This appliance is not for use in portable or mobile installations, such as marine or RV uses, where it will be in motion while operating.



This symbol alerts you to flammable materials that can ignite and cause a fire if you do not take care.

- This appliance contains a small amount of isobutane refrigerant (R600a), but it is also combustible. When transporting and installing the appliance, care should be taken to ensure that no parts of the refrigerating circuit are damaged.
- The refrigerant and insulation blowing gas used in the appliance require special disposal procedures. Consult with service agent or a similarly qualified person before disposing of them.
- Do not damage the refrigerant circuit.

- If the power cord is damaged or the hole of the outlet socket is loose, it must be replaced. Do not use the power cord and contact an authorized service centre in order to avoid a hazard.
- Do not locate multiple portable socket-outlets or portable power supplies at the rear of the appliance.
- Securely plug the power plug in the outlet socket after completely removing any moisture and dust.
- Never unplug the appliance from the power supply by pulling on the power cable. Always grip the power plug firmly and pull straight out from the outlet socket.
- Keep ventilation openings, in the appliance enclosure or in the built-in structure, clear of obstruction.
- Do not store explosive substances such as aerosol cans with a flammable propellant in this appliance.
- Transport the appliance upright only and do not tilt it.
- When positioning the appliance, ensure the supply cord is not trapped or damaged.
- Do not use mechanical devices or other means to accelerate the defrosting process.
- Do not use a hair drier to dry the inside of the appliance or place a candle inside to remove the odours.
- Do not use electrical appliances inside the food storage compartments of the appliance, unless they are of the type recommended by the manufacturer.
- Make sure not to get a body part such as a hand or foot stuck while moving the appliance.
- Disconnect the power cord before cleaning the appliance interior or exterior. Do not spray water or inflammable substances (toothpaste, alcohol, thinner, benzene, flammable liquid, abrasive, etc.) over the interior or exterior of the appliance to clean it. Do not clean the appliance with brushes, cloths or sponges with rough surfaces or which are made of metallic material.
- Only qualified service personnel from LG Electronics service centre should disassemble or repair the appliance.

6 SAFETY INSTRUCTIONS

Risk of Fire and Flammable Materials

- If a leak is detected, avoid any naked flames or potential sources of ignition and air the room in which the appliance is standing for several minutes. In order to avoid the creation of a flammable gas air mixture if a leak in the refrigerating circuit occurs, the size of the room in which the appliance is used should correspond to the amount of refrigerant used. The room must be 1 m² in size for every 8 g of R600a refrigerant inside the appliance.
- Refrigerant leaking out of the pipes could ignite or cause an explosion.
- The amount of refrigerant in your particular appliance is shown on the identification plate inside the appliance.

Installation

- This appliance should only be transported by two or more people holding the appliance securely.
- Install the appliance on a firm and level floor.
- Do not install the appliance in a damp and dusty place. Do not install or store the appliance in any outdoor area, or any area that is subject to weathering conditions such as direct sunlight, wind, rain, or temperatures below freezing.
- Do not place the appliance in direct sunlight or expose it to the heat from heating appliances such as stoves or heaters.
- Be careful not to expose the rear of the appliance when installing.
- Install the appliance in a place where it is easy to unplug the power plug of the appliance.
- Be careful not to let the appliance door fall during assembly or disassembly.
- Be careful not to pinch, crush, or damage the power cable during assembly or disassembly of the appliance door.
- Be careful not to point the power plug up or let the appliance lean against the power plug.
- Do not modify or extend the power cable.

- Ensure that the outlet socket is properly grounded, and that the earth pin on the power cord is not damaged or removed from the power plug. For more details on grounding, inquire at an LG Electronics customer information centre.
- This appliance is equipped with a power cord having an equipment-grounding conductor and a grounding power plug. The power plug must be plugged into an appropriate outlet socket that is installed and grounded in accordance with all local codes and ordinances.
- Never start up an appliance showing any signs of damage. If in doubt, consult your dealer.
- Dispose of all packaging materials (such as plastic bags and styrofoam) away from children. The packaging materials can cause suffocation.
- Do not plug the appliance into a multi socket adapter which does not have a power cable (mounted).
- The appliance should be connected to a dedicated power line which is separately fused.
- Do not use a multi-socket outlet which is not properly grounded (portable). It must comply with the technical specifications of the appliance and may only be used for the appliance.

Operation

- Do not use the appliance for any purpose (storage of medical or experimental materials or shipping) other than any domestic household food storage use.
- If water penetrates electrical parts of the appliance, disconnect power plug and contact an LG Electronics customer information centre.
- Unplug the power plug during a severe thunderstorm or lightning or when not in use for a long period of time.
- Do not touch the power plug or the appliance controls with wet hands.
- Do not bend the power cable excessively or place a heavy object on it.

8 SAFETY INSTRUCTIONS

- Immediately unplug the power plug and contact an LG Electronics customer information centre if you detect a strange sound, odour, or smoke coming from the appliance.
- Do not place hands or metallic objects inside the area emitting the cold air, cover or heat releasing grille on the back.
- Do not apply excessive force or impact to the back cover of the appliance.
- Be careful of nearby children when you open or close the appliance door. The door may bump the child and cause injury.
- Avoid the danger of children getting trapped inside the appliance. A child trapped inside the appliance can cause suffocation.
- Do not put animals, such as pets into the appliance.
- Do not place heavy or fragile objects, containers filled with liquid, combustible substances, flammable objects (such as candles, lamps, etc.), or heating devices (such as stoves, heaters, etc.) on the appliance.
- Do not place any electronic appliance (such as heater and mobile phone) inside the appliance.
- If there is a gas leakage (isobutane, propane, natural gas, etc.), do not touch the appliance or power plug and ventilate the area immediately. This appliance uses a refrigerant gas (isobutane, R600a). Although it uses a small amount of the gas, it is still combustible gas. Gas leakage during appliance transport, installation or operation can cause fire, explosion or injury if sparks are caused.
- Do not use or store flammable or combustible substances (ether, benzene, alcohol, chemical, LPG, combustible spray, insecticide, air freshener, cosmetics, etc.) near the appliance.
- This appliance incorporates an earth connection for functional purposes.
- Connect to potable water supply only.
 - If connected to a water supply, connect to a potable water supply only.
- Fill with potable water only.

- If using an icemaker or dispenser water tank, make sure to fill it with potable water only.

Disposal

- When discarding the appliance, remove the door gasket while leaving the shelves and baskets in place and keep children away from the appliance.

CAUTION

CAUTION

- To reduce the risk of minor injury to persons, malfunction, or damage to the product or property when using this product, follow basic precautions, including the following:

Installation

- After unpacking, check the appliance for any damage that may have occurred during transit.
- Wait for at least 3 to 4 hours in order to ensure the refrigerant circuit is fully efficient.
- Move the appliance carefully on sensitive floors to avoid damage to the floor.

Operation

- Do not touch frozen food or the metal parts in the freezer compartment with wet or damp hands. It may cause frostbite.
- Do not place glass containers, bottles or cans (especially those containing carbonated drinks) in the freezer compartment, shelves or ice bucket that will be exposed to temperatures below freezing. Contents may expand when frozen, break the container and cause injury.

10 SAFETY INSTRUCTIONS

- The tempered glass on the front side of the appliance door or the shelves can be damaged by an impact. If it is broken, do not touch it with hands.
- Do not hang from the appliance doors, storage room, shelf or climb up into it.
- Do not store an excessive amount of water bottles or containers for side dishes on the door baskets.
- Do not open or close the appliance door with excessive force.
- If the hinge of the appliance door is damaged or operates improperly, stop using the appliance and contact an authorized service centre.
- Prevent animals from nibbling on the power cable or water hose.
- Never eat frozen foods immediately after they have been taken out in the freezer compartment. There is a risk of freezing or the formation of frost blisters. **FIRST AID:** Immediately hold it under cold running water. Do not pull it away.
- Make sure not to get a hand or foot stuck upon opening or closing the appliance door or door in door.

Maintenance

- This appliance is equipped with maintenance-free LED interior light. Do not remove cover or LED lamp in any attempt to repair or change it. Contact an LG Electronics customer information centre.
- Do not clean glass shelves or covers with warm water when they are cold. They may shatter if exposed to sudden temperature changes.
- Do not insert the shelves upside down. The shelves may fall.
- If ice forms in the freezer compartment, please contact LG Electronics customer service. Do not use sharp-edged objects to remove any frost or ice build-up. Do not use sprays, electric heating devices such as fan heaters, hair dryers, steam cleaners or other heat sources for defrosting. Plastic parts could deform.
- Dispose of the ice inside the ice bucket in the freezer compartment during an extended power outage.

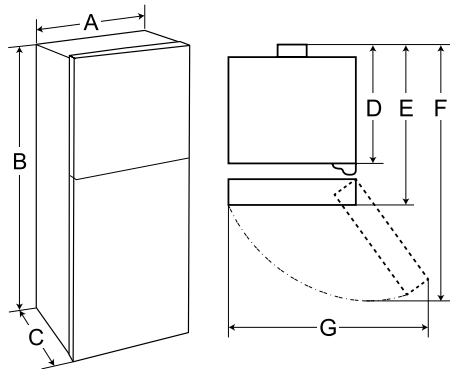
INSTALLATION

Before Installation

Dimensions and Clearances

Too small of a distance from adjacent items may result in the degradation of freezing capability and increased electricity costs. Allow over 50 mm of clearance from each adjacent wall when installing the appliance.

ENGLISH



	Size (mm)	
	Type A	Type B
A	700	760
B	1870	1860
C	720	750
D	740	770
E	720	750
F	1390.3	1467.5
G	1195	1318

NOTE

- You can determine what type of appliance it is by looking at the label inside the appliance.

Ambient Temperature

- The appliance is designed to operate within a

limited range of ambient temperatures, depending on the climate zone.

12 INSTALLATION

- The internal temperatures could be affected by the location of the appliance, the ambient temperature, the frequency of door opening and so on.
- The climate class can be found on the rating label.

Climate Class	Ambient Temperature Range °C
SN (Extended Temperate)	+10 - +32
N (Temperate)	+16 - +32
ST (Subtropical)	+16 - +38 / +18 - +38**
T (Tropical)	+10 - +43* / +16 - +43 / +18 - +43**

* Australia, India, Kenya

** Argentina

NOTE

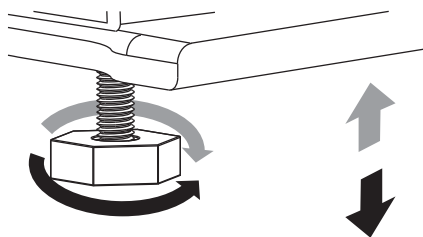
- The appliances rated from SN to T are intended to be used at an ambient temperature between 10 °C and 43 °C.

Levelling the Appliance

Adjusting the Levelling Leg

If the appliance seems unsteady, or the doors do not close easily, adjust the appliance's tilt using the instructions below.

- 1 Turn the levelling leg clockwise to raise that side of the appliance or counterclockwise to lower it.



- 2 Open the doors and check to make sure that they close easily.

Turning on the Power

Connecting the Appliance

To turn on the appliance, connect the power plug into the outlet socket. Do not double up with other appliances on the same outlet.

NOTE

- After connecting the power supply cord (or plug) to the outlet, wait enough time before you put food into the appliance. If you add food before the appliance has cooled completely, your food may spoil.
- To turn off the appliance, disconnect the power plug from the outlet socket.

Moving the Appliance for Relocation

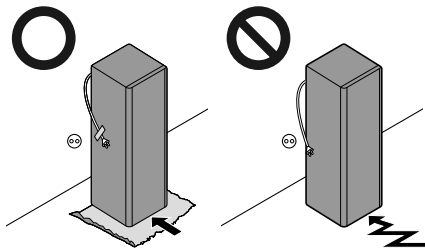
Moving the Appliance

- 1 Remove all food from inside the appliance.
- 2 Fix the power plug.
 - Models with a power plug hook: Pull the power plug out, insert and fix it into the power plug hook at the rear or on top of the appliance.
 - Models without a power plug hook: Pull the power plug out and fix the power supply cable with a tape to the side of the appliance where the power socket is located at the installation site.
- 3 Tape parts such as shelves and the door handle to prevent from falling off while moving the appliance.

- 4 Move the appliance with more than two people carefully. When transporting the appliance over a long distance, keep the appliance upright.

⚠ CAUTION

- Move the appliance carefully on sensitive floors to avoid damage to the floor.
 - Use cardboard, floor mat or carpet to prevent scratches on the floor when installing or moving the appliance.
 - Do not move the appliance in zigzags.



- 5 After installing the appliance, connect the power plug into a mains outlet socket and switch it on.

14 OPERATION

OPERATION

Before Use

Notes for Operation

- Before placing food in the appliance, clean the inside and outside of the appliance with warm water and a mild washing-up liquid to remove manufacturing residues.
- Users should keep in mind that frost can form if the door is not closed completely or if the humidity is high during the summer.
- Ensure there is sufficient space between food stored on the shelf or door basket to allow the door to close completely.
- Opening the door for long periods can cause a significant increase of the temperature in the compartments of the appliance.
- If the refrigerating appliance is left empty for long periods, switch off, defrost, clean, dry, and leave the door open to prevent mould developing within the appliance.
- Note that a temperature rise after defrosting has a permissible range in the appliance specifications. If you wish to minimise the impact on the food storage due to a temperature rise, seal or wrap the stored food in several layers.

Door Open Alarm

This feature is only available on some models. The alarm sounds if the door is left open or not completely closed.

NOTE

- Contact the LG Electronics customer information centre if the alarm sound continues even after closing all doors.

Failure Detection

The appliance can automatically detect problems during the operation.

NOTE

- If a problem is detected, the appliance may not operate and an error code is displayed even when any button is pressed.
- If an error code is indicated on the display, do not turn off the power. Immediately contact the LG Electronics customer information centre and report the error code. If you turn off the power, the repair technician from the our information centre may have difficulty finding the problem.

Suggestion for Energy Saving

- For the most efficient use of energy, keep all inner parts (e.g. door bins, drawers and shelves) on their original location. Altering their positions may result in less efficient energy consumption or performance.
- Ensure there is sufficient space between stored foods. This allows cold air to be circulated evenly and lowers electricity bills.
- Store hot food only after it has cooled in order to prevent dew or frost.
- When storing food in the freezer compartment, set the freezer temperature lower than the temperature indicated on the food.
- Do not set the temperature of the appliance lower than needed.
- Do not put food near the temperature sensor of the fridge compartment. Keep a distance of at least 3 cm from the sensor.

Storing Foods Effectively

- Food may freeze or spoil if stored at the wrong temperature. Set the refrigerator to the correct temperature for the food being stored.
- Store frozen food or refrigerated food inside sealed containers.
- Check the expiration date and label (storage instructions) before storing food in the appliance.

- Do not store food for a long period of time if it spoils easily at a low temperature.
- Do not place unfrozen food in direct contact with food that is already frozen. Do not store excessive amounts of fresh food.
- Freeze food in portion-sized quantities for faster freezing, easier thawing and processing.
- Place the refrigerated food or frozen food in each fridge or freezer compartment immediately after purchasing.
- Store raw meat and fish in suitable containers in the refrigerator, so that it is not in contact with or drip onto other food.
- Refrigerated foods and other food items can be stored on top of the vegetable drawer.
- Avoid refreezing any food which has been completely thawed. Freezing any food which has been completely thawed again will lower its taste and nutrition.
 - Only take out the amount of food that you need. Consume thawed food quickly. It can only be refrozen after being cooked.
- Cool hot food before storing. If too much hot food is placed inside, the internal temperature of the appliance can increase and negatively affect other foods stored in the appliance.
- Do not overfill the appliance. Cold air can not circulate properly if the appliance is overfilled.
- If you set an excessively low temperature for food, it may become frozen. Do not set a temperature lower than the required temperature for the food to be stored correctly.
- If there are chill compartments in the appliance, do not store vegetables and fruits with higher moisture content in the chill compartments as they may freeze due to the lower temperature.
- Always follow the food manufacturer's instructions on the permissible storage duration of frozen food. Do not exceed the recommended storage time of food.
 - Mark the storage date, permissible storage duration, and the food name on the packaging to prevent it from exceeding the storage time limit.
- In the event of a blackout, call the electricity company and ask how long it is going to last.
- You should avoid door openings while the power is off.
- When the power supply gets back to normal, check the condition of the food.
- If the power outage lasts longer, especially during the summer months, please follow these guidelines:
 - Do not place additional food into the appliance during the power outage.
 - If the power outage is announced and is expected to last for more than 10 hours, prepare some ice and put it in a container on the top shelf of the fridge.
 - Due to the temperature increase in the appliance during a power outage or other malfunction, the shelf life of the food will be reduced and its quality will decrease. If necessary, process thawed food and freeze it again in the cooked state.

Maximum Freezing Capacity

- **Express Freeze** function will allow the freezer to reach its maximum freezing capacity. This generally takes up to 24 hours and automatically switches off.
- **Express Freeze** must be switched on right after fresh products are placed in the freezer compartment.
- To get better air circulation, insert all inner parts like baskets and shelves.

Freezing the Maximum Amount of Food

If large quantities of food are to be stored, the icemaker should be taken out of the appliance and the food should be stacked directly on the freezer shelves in the freezer compartment.

NOTE

- Insert the icemaker in the right position.

16 OPERATION

Two Star Compartment

This feature is only available on some models.

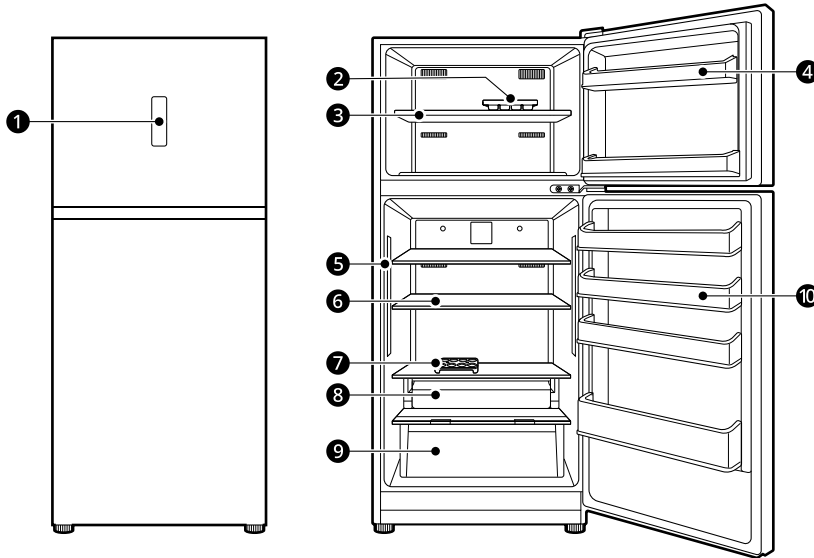
- Two star frozen food compartments are suitable for storing pre-frozen food, storing or making icecream and making ice cubes.
- Two star compartments are not suitable for the freezing of fresh food.

Product Features

The appearance or components of the appliance may differ from model to model.

Exterior and Interior

*1 This feature is only available on some models.



1 Control Panel

Sets the fridge temperature and freezer temperature.

2 Ice Tray^{*1}

Manually produces ice.

- For more space, you can remove the ice tray.

3 Freezer Shelf

Stores frozen foods such as meat, fish, and icecream.

4 Freezer Door Basket

Stores small packages of frozen food. Do not store ice cream or food which will be stored for a long period of time.

5 LED Lamp^{*1}

The LED lamps inside the appliance light up when you open the door.

6 Fridge Shelf

This is where refrigerated foods and other items are stored.

- Store the foods with higher moisture content at the front of the shelf.

18 OPERATION

- The shelf height can be adjusted by inserting the shelf in another groove of different height.

7 Egg Tray*1

This is where eggs are stored.

- You can move it to and use it at a desired position as needed. However, do not use it as the ice bin or place it on the shelf on top of the fridge or the vegetables drawer.

8 Fresh Room Drawer*1

This is where food items are stored at a colder temperature than the regular fridge area.

9 Fresh Vegetable Drawer

This is where fruits and vegetables are stored to help maintain freshness by adjusting the humidity controller.

10 Fridge Door Basket

Stores small packages of refrigerated foods, drinks and sauce containers.

NOTE

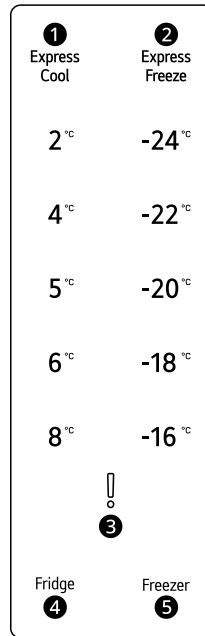
- The actual number of door baskets, shelves, and drawers may differ from model to model.
-

Control Panel

The actual control panel may differ from model to model.

Control Panel and Functions

ENGLISH



1 Express Cool Indicator

This function can quickly cool a large amount of foods such as vegetable, fruit and so on.

- To active this function, press the **Fridge** button repeatedly until the **Express Cool** indicator lights up.

2 Express Freeze Indicator

This function can quickly freeze a large amount of ice or frozen foods.

- To activate this function, press the **Freezer** button repeatedly until the **Express Freeze** indicator lights up.
- This function automatically terminates after a specific period has passed.
- When this mode is on, noise may occur and energy consumption may increase.

3 Alarm Indicator

The alarm indicator lights up when the appliance detects problems during the operation.

4 Fridge

Press this button repeatedly to select a desired temperature between 2 °C and 8 °C.

- The initial fridge temperature is 5 °C.

5 Freezer

Press this button repeatedly to select a desired temperature between -16 °C and -24 °C.

20 OPERATION

- The initial freezer temperature is $-18\text{ }^{\circ}\text{C}$.

NOTE

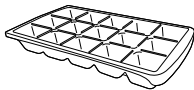
- The control panel will turn off automatically for energy saving.
- If any finger or skin comes into contact with the control panel while cleaning it, the button function may operate.
- To keep the control panel on, press any button to activate the control panel. Then press and hold the **Freezer** button for 5 seconds.
- To make the control panel turn off automatically, press and hold the **Freezer** button for 5 seconds.
- For optimal food preservation, increasing or decreasing one level from the default temperature is recommended.

Icemaker

This feature is only available on some models.

Using the Ice Tray

This is where ice is manually produced.
Fill the ice tray with water up to the marked water line.



⚠ WARNING

- Fill with potable water only.

⚠ CAUTION

- Be careful not to twist the ice tray with force as it can be broken.
- If you open and close the freezer door frequently, it may take longer for water to be frozen.

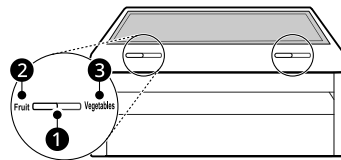
NOTE

- If the ice tray is overfilled, the ice cubes may stick together and be difficult to remove.
- Ice can be removed more easily by pouring water on the ice tray.

Fridge Drawer

Using the Fresh Vegetable Drawer

Keep fruits and vegetables fresh. Adjust the controller ① to meet individual storage needs.

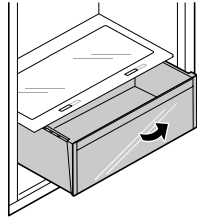


- ① Controller
- ② For storing fruit.
- ③ For storing vegetables.

Removing and Refitting the Fresh Vegetable Drawer

- 1 Remove the contents of the drawer. Hold the handle of the vegetable drawer and gently pull it out until the drawer stops completely.

- 2 Lift the vegetable drawer up and remove it by pulling it out.



- 3 Mount the vegetable drawer in the reverse order of the removal process.

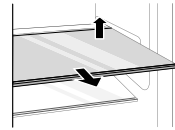
⚠ CAUTION

- Remove all food from inside the appliance, otherwise injuries can be caused by the weight of stored foods.

Shelf

Removing/Refitting the Shelf

- 1 Hold the both side of the shelf. Lift the shelf up and remove it by pulling it out.



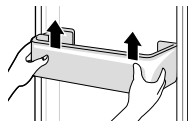
- 2 Refit the shelf by sliding it inward until the shelf snaps into the frame.

ENGLISH

Door Basket

Removing/Refitting the Door Basket

- 1 Hold both edges of the basket and remove it by lifting it upward.



- 2 Refit the door basket in the reverse order of the removal process.

22 MAINTENANCE

MAINTENANCE

Cleaning

General Cleaning Tips

- Performing manual defrosting, maintenance or cleaning of the appliance while food is stored in the freezer can raise the temperature of the food and reduce its storage life.
- Regularly clean any surfaces that can come in contact with food.
- When cleaning the inside or outside of the appliance, do not wipe it with a rough brush, toothpaste, or flammable materials. Do not use cleaning agents containing flammable substances. This may cause discolouration or damage to the appliance.
 - Flammable substances: alcohol (ethanol, methanol, isopropyl alcohol, isobutyl alcohol, etc.), thinner, bleach, benzene, flammable liquid, abrasive, etc.
- After cleaning, check if the power cable is damaged.

Cleaning the Exterior

- When cleaning the outside air vents of the appliance by means of vacuuming, then the power cord should be unplugged from the outlet to avoid any static discharge that can damage the electronics or cause an electric shock. Regular cleaning of the rear and side ventilation covers is recommended to maintain reliable and economical operation of the unit.
- Keep the air vents on the exterior of the appliance clean. Blocked air vents can cause fire or appliance damage.
- For the appliance exterior, use a clean sponge or soft cloth and a mild detergent in warm water. Do not use abrasive or harsh cleaners. Dry thoroughly with a soft cloth. Do not use contaminated cloths when cleaning the stainless steel doors. Always use a dedicated cloth and wipe in the same direction as the grain. This helps reduce surface staining and tarnishing.

Cleaning the Interior

- Before removing a shelf or drawer from inside the appliance, remove all stored foods from the shelf or drawer to prevent injury or damage to the appliance. Otherwise, injury may occur due to the weight of stored foods.
- Detach the shelves and drawers and clean them with water and a mild detergent, and then dry them sufficiently, before replacing them.
- Regularly wipe the door gaskets and door seals with water and a mild detergent.
- Door basket spills and stains should be cleaned as they can compromise storage ability of the basket and could even be damaged.
- Never clean the shelves, door baskets, or containers in the dishwasher or in hot water. The parts may become deformed, and glass may shatter due to the heat.
- The automatic defrosting system in the appliance ensures that the compartment remains free of ice buildup under normal operating conditions. Users do not need to defrost it manually.

TROUBLESHOOTING

Before Calling for Service

Cooling

ENGLISH

Symptoms	Possible Cause & Solution
There is no refrigeration or freezing.	Is there a power interruption? <ul style="list-style-type: none"> Check the power of other appliances.
	Appliance is unplugged. <ul style="list-style-type: none"> Plug the power plug in the outlet properly.
	A fuse in your home may be blown or the circuit breaker tripped. Or the appliance is connected to a GFCI (Ground Fault Circuit Interrupter) outlet, and the outlet's circuit breaker has tripped. <ul style="list-style-type: none"> Check the main electrical box and replace the fuse or reset the circuit breaker. Do not increase fuse capacity. If the problem is a circuit overload, have it corrected by a qualified electrician. Reset the circuit breaker on the GFCI. If the problem persists, contact an electrician.
There is poor refrigeration or freezing.	Is the fridge or freezer temperature set to its warmest setting? <ul style="list-style-type: none"> Set the fridge or freezer temperature to a colder setting.
	Is the appliance in direct sunlight, or is it near a heat generating object such as cooking oven or heater? <ul style="list-style-type: none"> Check the installation area and reinstall it away from heat generating objects.
	Did you store hot food without cooling it first? <ul style="list-style-type: none"> Cool the hot food first before putting it in the fridge or freezer compartment.
	Did you put in too much food? <ul style="list-style-type: none"> Maintain an appropriate space between food.
	Are the appliance doors completely closed? <ul style="list-style-type: none"> Completely close the door and make sure that stored food is not obstructing in the door.
	Is there enough space around the appliance? <ul style="list-style-type: none"> Adjust the installation position to make enough space around the appliance.
The appliance contains a bad smell.	Is the fridge or freezer temperature set to 'Warm'? <ul style="list-style-type: none"> Set the fridge or freezer temperature to a colder setting.

24 TROUBLESHOOTING

Symptoms	Possible Cause & Solution
The appliance contains a bad smell.	Did you put in food with a strong smell? <ul style="list-style-type: none"> Store foods with strong smells in sealed containers.
	Vegetables or fruit may have spoiled in the drawer. <ul style="list-style-type: none"> Throw away rotten vegetables and clean the vegetable drawer. Do not store vegetables too long in the vegetable drawer.

Condensation & Frost

Symptoms	Possible Cause & Solution
There is condensation inside the appliance or on the bottom of the vegetable drawer cover.	Did you store hot food without cooling it first? <ul style="list-style-type: none"> Cool the hot food first before putting it inside the fridge or freezer.
	Did you leave the appliance door open? <ul style="list-style-type: none"> Although the condensation will disappear soon after you close the appliance door, you can wipe it with a dry cloth.
	Do you open the appliance doors too frequently? <ul style="list-style-type: none"> Condensation can form due to the temperature difference from the outside. Wipe out the dampness with a dry cloth and do not open the doors too frequently.
	Did you put warm or moist food inside without sealing it in a container? <ul style="list-style-type: none"> Store food in a covered or sealed container.
Frost has formed in the freezer compartment.	Doors may not be closed properly. <ul style="list-style-type: none"> Check if the food item inside the appliance is blocking the door and make sure that the door is tightly closed.
	Did you store hot food without cooling it first? <ul style="list-style-type: none"> Cool the hot food first before putting it in the fridge or freezer compartment.
	Is the air entry or exit of the freezer compartment blocked? <ul style="list-style-type: none"> Make sure that air entry or exit is not blocked so that the air can circulate inside.
	Is the freezer compartment overfilled? <ul style="list-style-type: none"> Maintain an appropriate space between items.
Frost or condensation has formed inside or outside the appliance.	Did you open and close the appliance door frequently or is the appliance door improperly closed? <ul style="list-style-type: none"> Frosts or condensation can form if the outside air penetrates inside the appliance. Do not open the doors too frequently.

Symptoms	Possible Cause & Solution
Frost or condensation has formed inside or outside the appliance.	<p>Is the installation environment humid?</p> <ul style="list-style-type: none"> Condensation can appear on the exterior of the appliance if the installation area is too humid or on a humid day such as a rainy day. Wipe off any moisture with a dry cloth.
The side or front of the appliance is warm.	<p>There are anti condensation pipes fitted to these areas of the appliance to reduce condensation forming from around the door area.</p> <ul style="list-style-type: none"> The heat releasing pipe to prevent condensation is installed on the front and side of the appliance. You may feel it particularly hot right after the appliance is installed or during the summer. You can be assured that this is not a problem and is quite normal.
There is water inside or outside of the appliance.	<p>Is there water leakage around the appliance?</p> <ul style="list-style-type: none"> Check if the water has leaked from a sink or another place.
	<p>Is there water on the bottom of the appliance?</p> <ul style="list-style-type: none"> Check if the water is from the thawed frozen food or a broken or dropped container.

Parts & Features

Symptoms	Possible Cause & Solution
The appliance door is not closed tightly.	<p>Is the appliance leaning forward?</p> <ul style="list-style-type: none"> Adjust the front feet to raise the front side slightly.
	<p>Were the shelves properly assembled?</p> <ul style="list-style-type: none"> Refit the shelves if needed.
	<p>Did you close the door with excessive force?</p> <ul style="list-style-type: none"> If you apply too much force or speed when closing the door, it may remain briefly open before closing. Make sure that you do not slam the door closed. Close without force.
It is difficult to open the appliance door.	<p>Did you open the door right after you closed it?</p> <ul style="list-style-type: none"> If you try to open the appliance door within one minute after you closed it, you may have difficulties because of the pressure inside the appliance. Try to open the appliance door again in a few minutes so that the internal pressure stabilizes.
The inside lamp in the appliance does not turn on.	<p>Lamp failure</p> <ul style="list-style-type: none"> Close the door and re-open. If the lamp does not turn on, please contact the LG Electronics customer information centre. Do not attempt removal of the lamp.

26 TROUBLESHOOTING

Noises

Symptoms	Possible Cause & Solution
The appliance is noisy and generates abnormal sounds.	Is the appliance installed on a weak floor or improperly levelled? <ul style="list-style-type: none"> • Install the appliance on a solid and flat area.
	Does the rear of the appliance touch the wall? <ul style="list-style-type: none"> • Adjust the installation position to allow enough clearance around the appliance.
	Are objects scattered behind the appliance? <ul style="list-style-type: none"> • Remove the scattered objects from behind the appliance.
	Is there an object on top of the appliance? <ul style="list-style-type: none"> • Remove the object on top of the appliance.
Clicking noises	The defrost control will click when the automatic defrost cycle begins and ends. The thermostat control (or appliance control on some models) will also click when cycling on and off. <ul style="list-style-type: none"> • Normal Operation
Rattling noises	Appliance is not resting evenly on the floor. <ul style="list-style-type: none"> • Floor is weak or uneven or levelling legs need to be adjusted.
	Appliance with a compressor was moved while operating. <ul style="list-style-type: none"> • Normal operation. If the compressor does not stop rattling after three minutes, turn the power to the appliance off and then on again.
Whooshing noises	Evaporator fan motor is circulating air through the fridge and freezer compartments. <ul style="list-style-type: none"> • Normal Operation
	Air is being forced over the condenser by the condenser fan. <ul style="list-style-type: none"> • Normal Operation
Gurgling noises	Appliance flowing through the cooling system. <ul style="list-style-type: none"> • Normal Operation
Popping noises	Contraction and expansion of the inside walls due to changes in temperature. <ul style="list-style-type: none"> • Normal Operation
Vibrating	If the side or back of the appliance is touching a cabinet or wall, some of the normal vibrations may make an audible sound. <ul style="list-style-type: none"> • To eliminate the noise, make sure that the sides and back do not make any contact with any wall or cabinet.

APPENDIX

Information

Specification

ENGLISH

MODEL	GTF452SVAN / GTF452SSAN	GTF522PVAN / GTF522PSAN
Climate Class	T	
Rated Voltage	220 V	
Rated Frequency	50 Hz	
Defrosting	182 W	215 W
Refrigerant	R 600a (73 g)	
Country of Origin	Made in Turkiye	

After Sales Service (Egypt Only)

- Shelf Life Time: 7 Years
- LG is committed to providing all spare parts of this appliance during the shelf life time.

Memo

24 الملحق

الملحق

معلومات

المواصفات

GTF522PVAN / GTF522PSAN	GTF452SVAN / GTF452SSAN	الطراز
T		فئة المناخ
220 فولت		معدل الفولتية
50 هرتز		التردد المقدر
215 وات	182 وات	مدخل إزالة الصقيع
R 600a (73 جم)		مبرد
صنع في Turkiye		بلد المنشأ

خدمة ما بعد البيع (مصر فقط)

- العمر الافتراضي : ٧ سنوات
- تلتزم شركة LG بتوفير جميع قطع الغيار الخاصة بهذه الأجهزة خلال فترة العمر الافتراضي.

23 استكشاف الأعطال وإصلاحها

المرحلة

الأعراض	السبب المحتمل والحل
أصوات أزيز	<p>ينشر محرك مروحة المُبخر الهواء داخل وحدات المُجمد والتلاجة.</p> <ul style="list-style-type: none"> تشغيل عادي
	<p>يتم دفع الهواء عبر المكثف بواسطة مروحة المكثف.</p> <ul style="list-style-type: none"> تشغيل عادي
أصوات غرغرة	<p>تدقق الجهاز خلال نظام التبريد.</p> <ul style="list-style-type: none"> تشغيل عادي
أصوات فرقعة	<p>انكماش الجدران الداخلية وتوسعها بسبب التغيرات في درجة الحرارة.</p> <ul style="list-style-type: none"> تشغيل عادي
الاهتزاز	<p>في حال كان الجزء الجانبي أو الخلفي من الجهاز يلامس خزانة أو حائط، قد تُصدر بعض الاهتزازات العادية صوتًا مسموعًا.</p> <ul style="list-style-type: none"> للقضاء على الصوت، تأكد من أن الأجزاء الجانبية والجزء الخلفي لا يلامس أي حائط أو خزانة.

الأجزاء والخواص

الأعراض	السبب المحتمل والحل
باب الجهاز غير مغلق بإحكام.	هل الجهاز مائل للأمام؟ • اضبط القدم الأمامية لرفع الجانب الأمامي قليلاً.
	هل تم تركيب الأرفف بشكل سليم؟ • أعد تركيب الأرفف إذا لزم الأمر.
	هل أغلقت الباب بقوة مفرطة؟ • في حال كنت تستخدم قوة أو سرعة أكثر من اللازم عند غلق الباب، قد يظل مفتوحاً لفترة وجيزة قبل الإغلاق. تأكد من أنك لا تغلق الباب بعنف. أغلق بدون استخدام قوة.
من الصعب فتح باب الجهاز.	هل فتحت الباب بعد إغلاقه مباشرة؟ • في حال كنت تحاول فتح باب الجهاز في غضون دقيقة بعد إغلاقه، قد تواجه صعوبات بسبب الضغط الموجود داخل الجهاز. حاول أن تفتح باب الجهاز مرة أخرى في غضون دقائق قليلة حتى يستقر الضغط الداخلي.
المصباح الداخلي في الجهاز لا يضيء.	عطل في المصباح • أغلق الباب وأعد فتحه. إذا لم يتم تشغيل المصباح، فُيرجى الاتصال بمركز معلومات العملاء في شركة LG Electronics. لا تحاول فك المصباح.

الضجيج

الأعراض	السبب المحتمل والحل
الجهاز صاخب ويصدر أصواتاً غير طبيعية.	هل تم تثبيت الجهاز على أرضية ضعيفة أو غير مستوية بشكل صحيح؟ • قم بتثبيت الجهاز على أرضية صلبة ومستوية.
	هل تلامس الجهة الخلفية من الجهاز الحائط؟ • اضبط وضع التثبيت للسماح بمساحة كافية محيطة حول الجهاز.
	هل الأشياء مبعثرة خلف الجهاز؟ • أزل الأشياء المبعثرة من خلف الجهاز.
	هل يوجد كائن على الجزء العلوي من الجهاز؟ • أزل الكائن الموجود على الجزء العلوي من الجهاز.
أصوات الطقطقة	سيصدر التحكم في إزالة الصقيع طقطقة عند بدء دورة إزالة الصقيع التلقائي وانتهاء الدورة. سيصدر التحكم في الترموستات (أو التحكم في الجهاز في بعض الطرز) أيضاً طقطقة عند تشغيل الدورة وإيقافها. • تشغيل عادي
أصوات قفعية	الجهاز غير مستقر بشكل متساوٍ على الأرضية. • الأرضية ضعيفة أو غير مستوية أو أرجل التثبيت تحتاج إلى تعديل.
	الجهاز المزود بضغط قد يتحرك أثناء التشغيل. • عملية التشغيل الطبيعية. في حال كان الضغط لا يتوقف عن القفعية بعد ثلاث ثوانٍ، قم بإيقاف تشغيل الطاقة للجهاز ثم قم بتشغيلها مرة أخرى.

استكشاف الأعطال وإصلاحها 21

التكثيف والصقيع

الأعراض	السبب المحتمل والحل
يوجد تكثيف داخل الجهاز أو على أسفل غطاء درج الخضراوات.	هل قمت بتخزين الطعام الساخن دون تبريده أولاً؟ • قم بتبريد الطعام الساخن أولاً قبل وضعه داخل الثلاجة أو المجمد. هل تترك باب الجهاز مفتوحاً؟ • على الرغم من أن التكثيف سيختفي مباشرة بعد غلقك لباب الجهاز، يمكنك مسحه باستخدام قطعة قماش جافة.
	هل تفتح ابواب الجهاز كثيراً جداً؟ • يمكن أن يتكون التكثيف بسبب الحرارة المختلفة عن الخارج. امسح الرطوبة باستخدام قطعة قماش جافة ولا تفتح ابواب الجهاز كثيراً جداً.
	هل تضع طعاماً رطباً أو دافئاً بالداخل بدون عزله في حاوية؟ • خزّن الطعام في وعاء مغلي أو محكم الغلق.
تكوّن الصقيع بالمجمد.	قد لا تكون الأبواب مغلقة بشكل صحيح. • افحص ما إذا كان عنصر الطعام الموجود داخل الجهاز يعيق الباب وتأكد من أن الباب مغلق بإحكام.
	هل قمت بتخزين الطعام الساخن دون تبريده أولاً؟ • يزد الطعام الساخن أولاً قبل وضعه داخل الثلاجة أو المجمد.
	هل مدخل أو مخرج الهواء الخاص بالمجمد مسدود؟ • تأكد من عدم انسداد مدخل أو مخرج الهواء حتى يمكن تدوير الهواء بالداخل.
	هل تم الإفراط في ملء المجمد؟ • حافظ على وجود مسافة مناسبة بين المواد.
الصقيع أو التكثيف تكوّن داخل الجهاز أو خارجه.	هل تفتح باب الجهاز وتغلقه كثيراً أو هل باب الجهاز مغلق بشكل غير صحيح؟ • يمكن أن يتشكل الصقيع أو التكثيف في حال كان الهواء الخارجي يخترق داخل الجهاز. لا تفتح ابواب الجهاز كثيراً جداً. هل بيئة التثبيت رطبة؟ • يمكن أن يظهر التكثيف على سطح الجهاز في حال كانت منطقة التثبيت رطبة جداً أو في يوم رطب مثل يوم ممطر. امسح أية رطوبة باستخدام قطعة قماش جافة.
الجزء الجانبي أو الأمامي من الجهاز	توجد أنابيب التخلص من التكثيف مثبتة بهذه المناطق من الجهاز لتقليل التكثيف المتكون حول منطقة الباب. • يتم تثبيت أنبوب تحرير الحرارة على الجانب الأمامي والجانبي من الجهاز لمنع التكثيف. قد تشعر بأنه ساخن بالأخص مباشرة بعد تثبيت الجهاز أو أثناء الصيف. يمكنك أن تتأكد بأن هذه ليست مشكلة وأن هذا الأمر طبيعي جداً.
توجد مياه داخل الجهاز وخارجه.	هل يوجد تسرب مياه حول الجهاز؟ • تحقق مما إذا تسربت المياه من أحد الأحواض أو من مكان آخر.
	هل توجد مياه على الجزء السفلي من الجهاز؟ • تحقق مما إذا كانت المياه ناتجة عن الطعام المجمد الذائب أو من حاوية مكسورة أو ساقطة.

استكشاف الأعطال وإصلاحها

قبل الاتصال للحصول على الخدمة

التبريد

الأعراض	السبب المحتمل والحل
لا يوجد تبريد أو تجميد.	هل هناك انقطاع في التيار الكهربائي؟ • افحص طاقة الأجهزة الأخرى. الجهاز غير متصل بالتيار الكهربائي. • قم بتوصيل قابس الطاقة في مأخذ التيار الكهربائي بشكل سليم.
يوجد تبريد أو تجميد رديء.	قد يتفجر المنصهر في منزلك أو يتم فصل قاطع الدائرة. أو الجهاز موصل بمأخذ قاطع صدمات الدائرة الكهربائية الأرضي، وحدث فصل لقاطع الدائرة الخاص بالمأخذ. • تحقق من صندوق التوصيلات الكهربائية الأساسية واستبدل المنصهر أو أعد ضبط قاطع الدائرة. لا تحاول زيادة سعة المنصهر. إذا كانت المشكلة تتعلق بتجاوز حمل الدائرة، فاطلب المساعدة من كهربائي مؤهل لتصليحها. • أعد ضبط قاطع الدائرة على قاطع صدمات الدائرة الكهربائية الأرضي. أما إذا استمرت المشكلة، فاتصل بكهربائي للحصول على مساعدة.
هل تم ضبط درجة حرارة المجمد إلى الإعداد الأكثر دفئًا الخاص بها؟ • قم بتعيين درجة حرارة الثلاجة أو المجمد على إعداد أكثر برودة.	هل الجهاز معرض لضوء شمس مباشر، أو هل هو قريب من كائن مُولد للحرارة مثل فرن طهي أو سخان؟ • تحقق من منطقة التركيب وأعد تركيب المنتج بعيدًا عن الأشياء التي تصدر الحرارة.
هل قمت بتخزين الطعام الساخن دون تبريده أولاً؟ • بَرِّد الطعام الساخن أولاً قبل وضعه داخل الثلاجة أو المجمد.	هل تضع الكثير جدًا من الأطعمة؟ • حافظ على وجود مسافة مناسبة بين الأطعمة.
هل أبواب الجهاز مغلقة بالكامل؟ • قم بإغلاق الباب بشكل كامل وتأكد من أن الطعام المخزن لا يعيق الباب.	هل توجد مساحة كافية حول الجهاز؟ • اضبط وضع التثبيت لتوفير مساحة كافية حول الجهاز.
يحتوي الجهاز على رائحة سيئة.	هل تم ضبط درجة حرارة المجمد على وضع "دافئ"؟ • قم بتعيين درجة حرارة الثلاجة أو المجمد على إعداد أكثر برودة.
هل وضعت طعامًا ذا رائحة قوية؟ • قم بتخزين الأطعمة التي تحتوي على روائح قوية في حاويات مغلقة.	قد تفسد الخضروات أو الفاكهة في الدرج. • تخلص من الخضروات المتعفنة ونظِّف درج الخضروات. لا تقم بتخزين الخضروات لفترة طويلة جدًا في درج الخضروات.

الصيانة

التنظيف

نصائح عامة حول التنظيف

- يجب أن يتم تنظيف الكميات المنسكية من سلة الباب والبقع لأنها يمكن أن تقلل قدرة التخزين الخاصة بالسلة ويمكنها حتى أن تتلف.
- لا تعتمد مطلقاً على تنظيف الأرفف، أو سلال الباب أو الأوعية في غسالة الأطباق أو وضعها بالماء الساخن. قد تصبح القطع مشوهة وقد تنكسر ويتناثر زجاجها بسبب الحرارة.
- يضمن نظام إزالة الثلج تلقائياً في الجهاز خلو حجرة المجمد من تراكم الثلج في ظروف التشغيل العادية. لا يحتاج المستخدمون إلى إذابة الثلج يدوياً.

- يمكن أن يؤدي إجراء إزالة الثلج اليدوية أو صيانة أو تنظيف الجهاز أثناء تخزين الطعام في المجمد إلى رفع درجة حرارة الطعام وتقليل عمر التخزين.
- حافظ على نظافة أي أسطح يمكن أن تلامس الطعام بانتظام.
- عند تنظيف الجهاز من الداخل أو الخارج، تجنب مسحه بفرشاة خشنة، أو معجون أسنان، أو مواد قابلة للاشتعال. تجنب استخدام مواد التنظيف التي تحتوي على مكونات قابلة للاشتعال. قد يتسبب ذلك في تغيير الألوان أو إتلاف الجهاز.
- المواد القابلة للاشتعال: الكحول (الإيثانول، الميثانول، الكحول الأيزوبروبيلي، الكحول الأيزوبيوتيل، الخ)، المواد المخففة (النتز)، المبيض، البنزين، السائل القابل للاشتعال، المواد الكاشطة، الخ.
- بعد التنظيف، تأكد إذا كان كابل الطاقة تالفاً.

تنظيف الهيكل الخارجي

- في حال تنظيف فتحات التهوية الخارجية من الجهاز عن طريق المكنسة الكهربائية، عندئذ يجب أن يكون كبل الطاقة غير موصل من المآخذ لتجنب أي تفرغ شحنات قد يتلف الأجهزة الإلكترونية أو قد يسبب صدمة كهربائية. يُوصى بإجراء تنظيف منتظم لأغطية فتحات التهوية الخارجية والجانبية للمحافظة على تشغيل موثوق به واقتصادي للجهاز.
- يجب المحافظة على نظافة فتحات التهوية الخارجية الموجودة على سطح الجهاز. حيث ينجم عن انسداد فتحات التهوية نشوب حريق أو تلف الجهاز.
- استخدم في تنظيف سطح الجهاز إسفنجة نظيفة أو قطعة قماش ناعمة ومنظفًا خفيفًا في مياه دافئة. ولا تستخدم منظفات جافة أو خشنة. كما يجب ألا تستخدم قطع القماش الملونة عند تنظيف الأبواب المصنوعة من الصلب المقاوم للصدأ. احرص دائماً على استخدام قطعة قماش مخصصة ومسحة في نفس اتجاه السطح. حيث يساهم ذلك في تقليل حدوث البقع على السطح أو فقدان لمعانه.

تنظيف داخلي

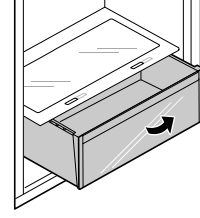
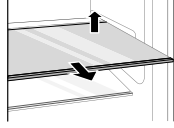
- قبل إزالة رف أو درج من داخل الجهاز، قم بإزالة جميع الأطعمة المخزنة من الرف أو الدرج لمنع التعرض لإصابة أو تلف بالجهاز. بخلاف ذلك، قد تحدث الإصابة بسبب وزن الأطعمة المخزنة.
- افصل الرفوف والأدرج وقم بتنظيفها باستخدام المياه ومنظف مخفف، ثم قم بتجفيفها بما فيه الكفاية قبل إعادتها إلى مكانها.
- بشكل منتظم قم بمسح حشية الباب وموانع التسرب بالباب باستخدام الماء ومنظف مخفف.

2 ارفع درج الخضراوات لأعلى وقم بإزالته عن طريق سحبه للخارج.

الرف

إزالة/إعادة الرف

1 امسك الرف من كلا جانبيه. ثم ارفعه لأعلى وقم بإزالته عن طريق سحبه للخارج.



3 قم بتركيب درج الخضراوات بعكس ترتيب عملية الفك.

2 قم بإعادة تركيب الرف بدفعه إلى الداخل حتى يستقر في الإطار.

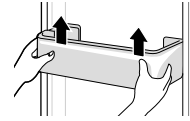
⚠ تنبيه

- ازل جميع الأطعمة المخزنة من داخل الجهاز، وإلا فقد تحدث إصابة بسبب وزن الأطعمة المخزنة.

سلة الباب

إزالة/إعادة تركيب سلة الباب

1 أمسك كلاً من طرفي السلة وقم بإزالتها برفعها لأعلى.



2 قم بإعادة تركيب سلة الباب بعكس ترتيب عملية الفك.

17 التشغيل

- درجة حرارة المجمد الأولية هي -18°C.

ملاحظة

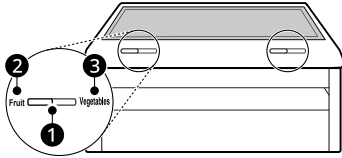
- سيتم إيقاف تشغيل لوحة التحكم تلقائيًا لتوفير الطاقة.
- إذا لامس أي إصبع أو البشرة لوحة التحكم أثناء تنظيفها، فقد تعمل وظيفة الزر.
- لتشغيل لوحة التحكم، اضغط على أي زر لتنشيط لوحة التحكم. ثم اضغط مع الاستمرار على زر **Freezer** لمدة 5 ثوانٍ.
- لإيقاف عمل لوحة التحكم بشكل تلقائي، اضغط مع الاستمرار على زر **Freezer** لمدة 5 ثوانٍ.
- للحصول على ميزة حفظ الطعام بشكل مثالي، يُوصى برفع أو خفض درجة الحرارة الافتراضية بمقدار مستوى واحد.

ملاحظة

درج الثلاجة

استخدام درج الخضروات الطازجة

احفظ الخضراوات والفواكه طازجة. اضبط عنصر التحكم ① لتلبية احتياجات التخزين حسب كل فرد.



- ① عنصر التحكم
- ② لتخزين الفواكه.
- ③ لتخزين الخضراوات.

فك وإعادة تركيب درج الخضروات الطازجة

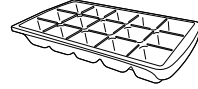
- 1 أفرغ محتويات الدرج، وأمسك بمقبض درج الخضروات وأسحبه برفق نحو الخارج حتى يتوقف كليًا.

صانع الثلج

لا تتوفر هذه الخاصية إلا في بعض الطرز.

استخدام صينية الثلج

هذا هو المكان الذي يتم فيه إنتاج الثلج يوميًا. املا صينية الثلج بالمياه حتى علامة خط المياه.



⚠ تحذير

- يملأ بمياه الشرب فقط.

⚠ تنبيه

- توخ الحذر كي لا تلوي صينية الثلج بقوة نظرًا لإمكانية تحطمها.
- إذا قمت بفتح باب المجمد (الفريرز) وغلقه كثيرًا، فقد يستغرق الأمر وقتًا أطول لكي تتجمد المياه.

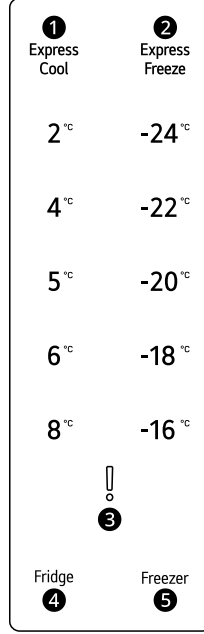
ملاحظة

- إذا كانت صينية الثلج مملوءة أكثر من اللازم، فقد تلتصق مكعبات الثلج معًا ويصعب إزالتها.
- يمكن إخراج الثلج بسهولة أكثر من خلال سكب المياه على صينية الثلج.

لوحة التحكم

قد تختلف لوحة التحكم الفعلية من طراز لآخر.

لوحة التحكم والوظائف



1 مؤشر Express Cool

هذه الوظيفة يمكن أن تبرد بسرعة كمية كبيرة من الطعام مثل الخضراوات والفواكه وغيرها من الأطعمة.

- لتنشيط هذه الوظيفة، اضغط على زر **Fridge** بشكل متكرر حتى يُضيء مؤشر **Express Cool**.

2 مؤشر Express Freeze

يمكن لهذه الوظيفة تجميد كمية كبيرة من الأطعمة المجمدة أو الثلجة بسرعة.

- لتنشيط هذه الوظيفة، اضغط على زر **Freezer** بشكل متكرر حتى يُضيء مؤشر **Express Freeze**.
- تتوقف هذه الوظيفة بشكل تلقائي بعد مرور فترة معينة.
- عند تفعيل هذا الوضع، قد تحدث ضوضاء وقد يزيد استهلاك الطاقة.

3 مؤشر الإنذار

يُضيء مؤشر الإنذار عندما يكشف الجهاز وجود مشاكل أثناء التشغيل.

4 Fridge

اضغط على هذا الزر بشكل متكرر لتحديد درجة حرارة مرغوبة بين 2°C و 8°C.

- درجة حرارة التلاجة الأولية هي 5°C.

5 Freezer

اضغط على هذا الزر بشكل متكرر لتحديد درجة حرارة مرغوبة بين 16°C و -24°C.

15 التشغيل

7 عنبة البيض*1

حيث يُحفظ البيض.

- يمكنك نقلها واستخدامها في أي وضع ترغب فيه. ولكن تجنب استخدامها كحاوية للتجمد أو وضعها أعلى وحدة التلاجة أو درج الخضروات.

8 درج الطعام الطازج*1

عبارة عن مكان يتم فيه تخزين المواد الغذائية في درجة حرارة أبرد من درجة حرارة مكان التلاجة العادية.

9 درج الخضراوات الطازجة

حيث تُحفظ الفاكهة والخضروات للمساعدة في الحفاظ على نضارتها بضبط جهاز التحكم بالرطوبة.

10 سلة باب وحدة التلاجة

يخزن الأطعمة الصغيرة المغلفة وحاويات المشروبات والصلصة المبردة.

ملاحظة

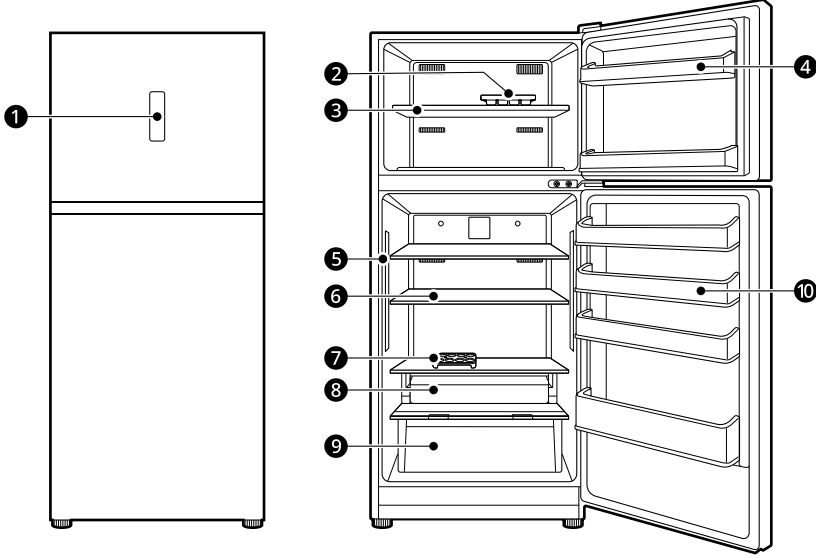
- قد يختلف العدد الفعلي لسلال الباب والأرفف والأدراج من طراز لآخر.

خواص المنتج

قد يختلف الشكل الخارجي للجهاز أو مكوناته من طراز لآخر.

الجزء الخارجي والداخلي

*1 لا تتوفر هذه الخاصية إلا في بعض الطرز.



1 لوحة التحكم

تضبط درجة حرارة التلاجة ودرجة حرارة المجمد.

2 علبة الثلج*1

ينتج الثلج يدوياً.

- لتوفير مزيد من المساحة، يمكنك إزالة صينية الثلج.

3 رف المجمد

يخزن الأطعمة المجمدة مثل اللحوم والأسماك والمثلجات.

4 سلة باب الفريزر

يخزن مجموعات صغيرة من الطعام المجمد المغلف. لا تقم بتخزين المثلجات أو الأطعمة التي ستخزن لفترة طويلة من الوقت.

5 مصباح LED*1

تُضيء مصابيح LED داخل الجهاز عندما تفتح الباب.

6 رف التلاجة

عبارة عن المكان الذي يتم تخزين الأطعمة المبردة والمواد الأخرى عليه.

- خزن الأطعمة ذات محتوى الرطوبة العالي بالجزء الأمامي من الرف.
- يمكن تعديل ارتفاع الرف عن طريق إدخال الرف في مجرى آخر بارتفاع مختلف.

13 التشغيل

حجرو ذات نجمتين

لا تتوفر هذه الخاصية إلا في بعض الطرز.

- تُعد حجيرات الأطعمة المثلجة ذات النجمتين مناسبة لتخزين الأطعمة المثلجة مسبقاً، أو لتخزين الثلجات أو صناعتها، أو لصناعة مكعبات الثلج.
- تُعد الحجيرات ذات النجمتين غير مناسبة لتجميد الأطعمة الطازجة.

• إذا قمت بضبط درجة حرارة منخفضة بشكل كبير للطعام، ربما يتجمد. لا تقم بضبط درجة حرارة أقل من درجة الحرارة المطلوبة للطعام ليتم تخزينه بشكل صحيح.

• في حال وجود حجيرات تبريد في الجهاز، لا تخزن الخضروات والفواكه التي تحتوي على محتوى ذي رطوبة عالية في حجيرة التبريد لأنها قد تتجمد بسبب انخفاض درجة الحرارة.

• اتبع دائماً تعليمات الشركة المصنعة للأغذية بشأن مدة التخزين المسموح بها للأطعمة المجمدة. لا تتجاوز وقت التخزين الموصى به للطعام.

- ضع علامة على تاريخ التخزين، ومدة التخزين المسموح بها، واسم المواد الغذائية على العبوة لمنعها من تجاوز الحد الزمني للتخزين.

• في حالة حدوث انقطاع التيار الكهربائي، اتصل بشركة الكهرباء واسأل عن مدة الانقطاع.

- يجب أن تتجنب فتح الأبواب أثناء فصل الطاقة عن الجهاز.

- عندما يعود مصدر الطاقة إلى وضعه الطبيعي، تحقق من حالة الطعام.

- إذا استمر انقطاع التيار الكهربائي لفترة أطول، خاصة خلال أشهر الصيف، فيرجى اتباع الإرشادات التالية:

- لا تضع طعاماً إضافياً في الجهاز أثناء انقطاع التيار الكهربائي.
- إذا تم الإعلان عن انقطاع التيار الكهربائي ومن المتوقع أن يستمر لأكثر من 10 ساعات، قم بإعداد بعض الثلج ووضعه في وعاء على الرف العلوي للتلحاح.

- نظراً لارتفاع درجة حرارة الجهاز أثناء انقطاع التيار الكهربائي أو أي عطل آخر، سينخفض العمر الافتراضي للطعام وستنخفض جودته. إذا لزم الأمر، قم بمعالجة الطعام المذاب وجمده مرة أخرى في حالة الطهي.

أقصى كفاءة تجميد

• تتيح وظيفة **Express Freeze** المُجمد للقيام بأقصى كفاءة تجميد له. بشكل عام، تستغرق هذه الوظيفة مدة تصل إلى 24 ساعة وسيتم إيقاف تشغيلها بشكل تلقائي.

• يجب تشغيل وظيفة **Express Freeze** مباشرةً بعد وضع الأطعمة الطازجة في حجيرة المجمد.

• للحصول على توزيع هواء أفضل، قم بإدخال جميع الأجزاء الداخلية مثل السلالات والرفوف.

تجميد الحد الأقصى لكمية الطعام

في حالة وجود كميات كبيرة من الأطعمة يراد تخزينها، يجب إخراج صانع الثلج خارج الجهاز ويجب رص الأطعمة مباشرةً على الرفوف في وحدة المجمد.

ملاحظة

- قم بإدخال صانع الثلج في مكانه الصحيح.

التشغيل

قبل الاستخدام

اقتراح توفير الطاقة

- للاستفادة من استخدام الطاقة بأقصى كفاءة، ضع جميع الأجزاء الداخلية (مثل صناديق الأبواب والأدراج والرفوف) في مكانها الأصلي. وقد يؤدي تغيير أماكنها إلى استهلاك أقل كفاءة للطاقة أو انخفاض في الأداء.
- تأكد من وجود مسافة كافية بين الأطعمة المخزنة. يسمح هذا للهواء البارد بالانتشار بالتساوي ويخفض من فواتير الكهرباء.
- خزن الأطعمة الساخنة فقط بعد أن تبرد لمنع التكثف أو التجمد.
- عند تخزين الطعام في وحدة المجمد، قم بضبط درجة حرارة المجمد على درجة حرارة أقل من الموضحة على الطعام.
- لا تقم بتعيين درجة حرارة المنتج على درجة أقل من اللازم.
- لا تضع الطعام بالقرب من مستشعر درجة الحرارة في وحدة التلاجة. حافظ على مسافة 3 سم على الأقل من المستشعر.

تخزين الأطعمة بكفاءة

- قد يتجمد الطعام أو يفسد إذا تم تخزينه في درجة حرارة غير مناسبة. اضبط التلاجة على درجة الحرارة الصحيحة المناسبة لتخزين الطعام.
- خزن الطعام المجمد أو الأطعمة المبردة داخل أوعية محكمة الغلق.
- تحقق من تاريخ انتهاء الصلاحية والملصق (تعليمات التخزين) قبل تخزين الطعام في الجهاز.
- لا تخزن الطعام لفترة طويلة من الوقت إذا كان يفسد بسهولة عند درجة حرارة منخفضة.
- لا تضع الأطعمة غير المجمدة مباشرة مع الأطعمة المجمدة بالفعل. لا تخزن كميات كبيرة من الطعام الطازج.
- قم بتجميد الطعام بكميات صغيرة الحجم لتجميد، وتسهيل، وتدوير والمعالجة بشكل أسرع.
- ضع الأطعمة المبردة أو الطعام المجمد داخل أي من التلاجة أو المجمد فور شرائه.
- قم بتخزين اللحوم والأسماك الطازجة في حاويات مناسبة داخل البراد، حتى لا تلامس الأطعمة الأخرى أو تُنظف عليها.
- يمكن تخزين الأطعمة المبردة وغيرها من الأطعمة أعلى درج الخضراوات.
- تجنب إعادة تجميد أي طعام كان قد تم ذوبان تجميده بشكل كامل. تجميد أي طعام كان قد تم ذوبان تجميده بشكل كامل سوف يقلل من مذاقه وتغذيته.
- خذ كمية الطعام التي تحتاجها فقط. استهلك الطعام المذاب بسرعة. لا يمكن إعادة تجميده إلا بعد طهيها.
- برّد الطعام الساخن قبل التخزين. في حال وضع طعام ساخن جدًا في الداخل، يمكن أن تزداد درجة الحرارة الداخلية للجهاز مما يؤثر بالسلب على الأطعمة الأخرى المخزنة في الجهاز.
- لا تفرط في ملء الجهاز. لا يمكن للهواء البارد أن يمر بشكل صحيح إذا كان الجهاز مملوءًا أكثر من الحد اللازم.

ملاحظات التشغيل

- قبل وضع الطعام في الجهاز، نظّف الجزء الداخلي والخارجي للجهاز بماء دافئ وسائل تنظيف مخفف لإزالة رواسب التصنيع.
- يجب أن يضع المستخدمون في اعتبارهم أن الصقيع قد يتكون إذا لم يُغلق الباب بالكامل، أو في حال كانت الرطوبة مرتفعة خلال الصيف.
- تأكد من وجود مسافة كافية بين الطعام المُخزن على الرف أو سلة الباب ليسمح بإغلاق الباب بالكامل.
- قد يتسبب فتح الباب لفترات طويلة في زيادة درجة الحرارة بصورة ملحوظة داخل حجيرات الجهاز.
- إذا تُرك جهاز التبريد فارغًا لفترات طويلة، فأغلقه، وقم بإذابة الثلج المتراكم فيه، ونظفه، وجفّفه، ودع الباب مفتوحًا لمنع تكون العفن داخل الجهاز.
- لاحظ أن ارتفاع درجة الحرارة بعد إزالة الثلج له نطاق مسموح به في مواصفات الجهاز. إذا كنت ترغب في تقليل التأثير على تخزين الطعام بسبب ارتفاع درجة الحرارة، فقم بإغلاق أو حفظ الطعام المخزن في عدة طبقات.

إنذار فتح الباب

- لا تتوفر هذه الخاصية إلا في بعض الطرز.
- يُصدر الإنذار صوتًا في حالة ترك الباب مفتوحًا أو لم يتم إغلاقه تمامًا.

ملاحظة

- اتصل مركز خدمة العملاء لشركة LG Electronics إذا استمر صوت المنبه بعد قفل كل الأبواب.

كشف الأعطال

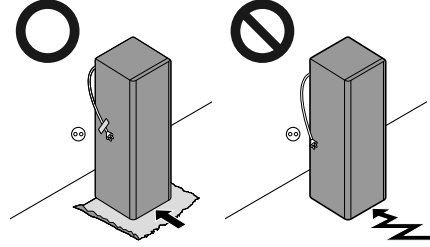
يمكن للجهاز الكشف عن المشاكل بشكل تلقائي أثناء التشغيل.

ملاحظة

- إذا تم الكشف عن مشكلة، لا يعمل الجهاز ويتم عرض رمز خطأ حتى عند الضغط على أي زر.
- إذا ظهر خطأ على الشاشة، لا تقم بإيقاف تشغيل الطاقة. واتصل فورًا بمركز معلومات عملاء شركة LG Electronics وأبلغ عن الخطأ. إذا قمت بإيقاف تشغيل الطاقة، فقد يواجه في التصليح من مركز المعلومات صعوبة في اكتشاف المشكلة.

11 التركيب

- لا تقم بتحريك الجهاز بشكل متعرج.



5 بعد تركيب الجهاز، قم بتوصيل قابس الطاقة في المأخذ الرئيسي لمقيس الخرج، وقم بتشغيله.

تشغيل الطاقة

توصيل الجهاز

لتشغيل الجهاز، قم بتوصيل قابس الطاقة بمقبس الخرج. لا تشارك الأجهزة الأخرى نفس المأخذ الكهربائي.

ملاحظة

- بعد توصيل سلك التيار الكهربائي (أو القابس) بمقبس، انتظر لفترة كافية قبل وضع الطعام في الجهاز. إذا قمت بإضافة الطعام قبل تبريد الجهاز بالكامل، فقد يفسد الطعام.
- لإيقاف تشغيل الجهاز، قم بفصل قابس الطاقة عن مقبس الخرج.

نطاق درجة الحرارة المحيطة "درجة مئوية"	فئة المناخ
32+ - 10+	SN (درجة الحرارة الممتدة)
32+ - 16+	N (درجة الحرارة)
**38+ - 18+ / 38+ - 16+	ST (شبه استوائي)
18+ / 43+ - 16+ / *43+ - 10+ **43+ -	T (استوائي)

* أستراليا، الهند، كينيا
** الأرجنتين

ملاحظة

- الأجهزة التي تندرج ضمن فئة "درجة الحرارة الممتدة" (SN) إلى درجة الحرارة "الاستوائية" (T) مُصممة للاستخدام في درجة حرارة محيطة تتراوح بين 10 و 43 درجة مئوية.

تحريك الجهاز لنقله إلى مكان آخر

تحريك الجهاز

1 قم بإخراج الطعام من داخل الجهاز.

2 قم بإصلاح قابس الطاقة.

- طُرز بخطاف لقابس الطاقة:
- قم بسحب قابس الكهرباء وإخاله وتثبيتته في وصلة قابس الطاقة في الجزء الخلفي أو أعلى الجهاز.
- طُرز بدون خطاف لقابس الطاقة:
- قم بسحب قابس الطاقة وتثبيت كابل إمداد الطاقة باستخدام شريط على جانب الجهاز حيث يوجد مقبس الطاقة في موقع التركيب.

3 قم بتثبيت الأجزاء مثل الأرفف ومقبض الباب بشرط لمنع السقوط أثناء تحريك الجهاز.

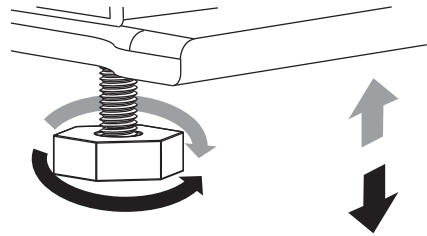
4 قم بتحريك الجهاز بواسطة أكثر من شخصين بعناية. عند نقل الجهاز لمسافة طويلة، ابق الجهاز في وضع رأسي.

ضبط مستوى الجهاز

ضبط رجل الاستواء

في حالة عدم ثبات الجهاز أو وجود صعوبة في غلق الأبواب، قم بضبط وضعية الجهاز مستعيناً بالتعليمات أدناه.

1 أدر رجل الاستواء في اتجاه عقارب الساعة لرفع هذا الجانب من الجهاز أو إلى أدرك عكس عقارب الساعة لخفض نفس الجانب.



2 افتح الأبواب وتحقق للتأكد من إغلاقها بسهولة.

تنبيه ⚠

- قم بتحريك الجهاز بعناية على الأرضيات الحساسة لتجنب تلف الأرضية.
- استخدم الورق المقوى أو حصيرة الأرضية أو السجادة لمنع إحداث خدوش على الأرض عند تركيب الجهاز أو تحريكه.

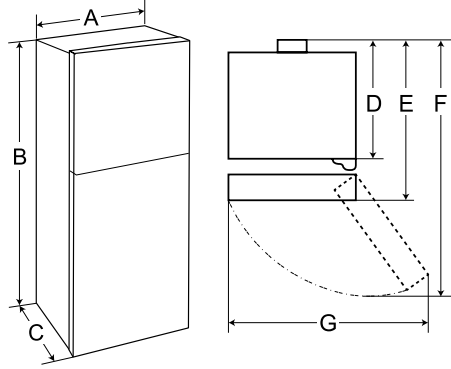
9 التركيب

التركيب

قبل إجراء التركيب

الأبعاد والخلوصات

قد تؤدي المسافة الصغيرة جداً بين الجهاز والعناصر المجاورة له إلى تدني قدرته على التجميد وزيادة تكاليف الكهرباء. يُراعى أن تكون المسافة بين الجهاز وأي حائط مجاور له أكثر من 50 ملم عند تركيب الجهاز.



الحجم (مم)		
النوع ب	النوع أ	
760	700	A
1860	1870	B
750	720	C
770	740	D
750	720	E
1467.5	1390.3	F
1318	1195	G

ملاحظة

- يمكنك تحديد نوع الجهاز عند مراجعة البطاقة الموجودة داخله.

درجة الحرارة المحيطة

- قد تتأثر درجات الحرارة الداخلية بسبب موقع الجهاز، ودرجة الحرارة المحيطة، ووتيرة فتح الباب، وما إلى ذلك.
- تم تصميم الجهاز للعمل ضمن نطاق محدود من درجات الحرارة المحيطة، وذلك حسب المنطقة المناخية.
- يمكنك العثور على فئة المناخ في ملصق التصنيف.

- تجنب وضع الحاويات أو القناني أو العلب الزجاجية (خاصة تلك التي تحتوي على مشروبات غازية) داخل حجرة المُجمد أو على الرفوف أو في صندوق الثلج الذي سيتعرض لدرجات حرارة دون التجمد. فقد تتمدد محتوياتها عند التجمد، وتؤدي إلى كسر الحاوية مما يُسبب التعرض للإصابة.
- قد يتعرض الزجاج المقسّي على الجانب الأمامي من باب الجهاز أو الأرفف إلى الضرر بسبب الاصطدام. في حال كسره، تجنب لمسه باليدين.
- تجنب التعلّق بأبواب الجهاز أو حجرة التخزين أو الرف، أو الصعود عليه.
- لا تخزّن كمية مفرطة من زجاجات المياه أو حاويات الأطباق الجانبية على شبكات الباب.
- لا تفتح باب الجهاز أو تغلقه بقوة مفرطة.
- إذا كانت مفصلة باب المنتج تالفة أو تعمل بشكل غير سليم، فتوقف عن استخدامه واتصل بمركز خدمة LG Electronics.
- امنع الحيوانات من قضم كبل الطاقة أو خرطوم المياه.
- لا تأكل مطلقًا الأطعمة المجمدة فور إخراجها من حجرة المجمد. فهناك خطر التجمد أو تشكيل بثور الصقيع. الإسعافات الأولية: ضعها على الفور تحت الماء الجاري البارد. لا تقم برميها بعيدًا.
- احرص ألا تعلق يداك أو قدمك عند فتح باب الجهاز أو الباب المزدوج أو إغلاقه.

الصيانة

- هذا الجهاز مزود بلمبة LED داخلية لا تحتاج إلى أي صيانة. تجنب إزالة غطاء اللمبة أو إزالة لمبة LED لمحاولة الإصلاح أو التغيير. يُرجى الاتصال مركز خدمة العملاء لشركة LG Electronics.
- لا تنظف الأغشية أو الأرفف الزجاجية بالمياه الدافئة عندما تكون باردة. قد تنكسر في حال تعرضها لتغير مفاجيء بدرجات الحرارة.
- تجنب وضع الأرفف في الاتجاه العكسي. فقد تسقط من مكانها.
- إذا تكوّن الثلج داخل حجرة المجمد، فيُرجى التواصل مع خدمة العملاء في شركة LG Electronics. لا تستخدم أجسام حادة الحواف لإزالة أي صقيع أو تراكم للجليد. لا تستخدم البخاخات أو أجهزة التدفئة الكهربائية مثل سخانات المروحة أو مجففات الشعر أو أجهزة التنظيف البخار أو مصادر الحرارة الأخرى لإزالة الجليد. حيث يمكن أن تنتشوه الأجزاء البلاستيكية.
- تخلص من الثلج داخل وعاء الثلج في وحدة المجمد أثناء انقطاع ممتد للتيار الكهربائي.

7 إرشادات السلامة

- إذا كان هناك تسرب غاز (أيزوبوتاني، أو بروبان، أو غاز طبيعي، أو ما إلى ذلك)، فلا تلمس الجهاز أو قابس الطاقة وقم بتهوية المكان على الفور. يستخدم هذا الجهاز غاز تبريد (أيزوبوتان، R600a). على الرغم من أنه يستخدم كمية صغيرة من الغاز، إلا أنه لا يزال غازًا قابلاً للاشتعال. يمكن أن يتسبب تسرب الغاز أثناء نقل أو تركيب أو تشغيل الجهاز في نشوب حريق أو انفجار أو إصابة في حالة حدوث الشرر.
- لا تستخدم مواد قابلة للاحتراق أو قابلة للاشتعال (مواد مثل إيثر، وبنزين، وكحول، ومواد كيميائية، وغاز نفطي مسال، ورذاذ قابل للاحتراق، ومبيد حشرات، ومعطر هواء، ومستحضرات تجميل، وما إلى ذلك) أو تخزينها بالقرب من الجهاز.
- يتضمن هذا الجهاز وصلة أرضية للأغراض الوظيفية.
- التوصيل بمزود مياه الشرب فقط.
- في حالة التوصيل بمصدر إمداد بالمياه، فقم بتوصيله بمصدر مياه صالحة للشرب فقط.
- يملأ بمياه الشرب فقط.
- إذا كنت تستخدم صانع الثلج أو خزان ماء في موزع، فتأكد من ملئه بمياه صالحة للشرب فقط.

التخلص

- عند التخلص من الجهاز، قم بإزالة حشية الباب بينما تترك الرفوف والسلال في مكانها وقم بإبعاد الأطفال عن الجهاز.

تنبيه

⚠ تنبيه

- للحد من مخاطر حدوث إصابات طفيفة للأشخاص، أو حدوث عطل، أو تلف للمنتج أو الممتلكات عند استخدام المنتج، يجب اتباع احتياطات السلامة الأساسية، بما فيها ما يلي:

التركيب

- بعد إخراج الجهاز من العبوة، قم بفحص الجهاز من أي تلف يمكن أن يكون قد وقع أثناء النقل.
- انتظر من 3 إلى 4 ساعات للتأكد من أن دائرة المبرد تعمل بكفاءة تامة.
- قم بتحريك الجهاز بعناية على الأرضيات الحساسة لتجنب تلف الأرضية.

تشغيل

- لا تلمس الطعام المجمد أو الأجزاء المعدنية في حجرة الفريزر بأيدي مُبللة أو رطبة. قد يتقرح الجلد من شدة البرد.

- يأتي هذا الجهاز مزودًا بسلك طاقة يحتوي على موصل تأريض للجهاز وقابس طاقة بوصلة تأريض. يجب توصيل قابس الطاقة بمقبس خرج مناسب مثبت ومؤرض وفقًا لجميع القوانين واللوائح المحلية.
- لا تعدد مطلقًا إلى بدء تشغيل أي جهاز تبدو عليه أي علامات تلف. إذا ساورتك الشكوك، فاتصل بالوكيل.
- تخلص من جميع مواد التعبئة (مثل أكياس البلاستيك ومادة الستايروفوم) بعيدًا عن متناول الأطفال، إذ يمكن لمواد التغليف أن تسبب الاختناق.
- لا توصل الجهاز بمحول متعدد المقابس لا يوجد كابل طاقة (موصل به).
- يجب توصيل الجهاز بخط كهرباء يكون مخصصًا له ومزودًا بمصهر منفصل.
- لا تستخدم مأخذ متعدد المقابس غير مؤرض بشكل صحيح (محمول). يجب أن يتوافق مع المواصفات الفنية للجهاز ولا يجوز استخدامه إلا للجهاز.

تشغيل

- لا تستخدم الجهاز لأي غرض (تخزين مواد طبية أو تجريبية أو للشحن) بخلاف الاستخدام لتخزين أي طعام منزلي مألوف.
- في حال اختراق المياه لأجزاء إلكترونية من الجهاز، افصل مقبس الطاقة وتواصل مع مركز معلومات العملاء في شركة LG Electronics.
- لا توصل مقبس الطاقة أثناء عاصفة رعدية أو برق شديد أو في حالة عدم استخدامه لفترة طويلة من الوقت.
- تجنب لمس قابس الطاقة أو عناصر التحكم في الجهاز بيدين مبتلتين.
- احرص على عدم ثني كابل الطاقة بشكل مفرط أو وضع شيء ثقيل عليه.
- فصل فورًا مقبس الطاقة وتواصل مع مركز خدمة العملاء في شركة LG Electronics في حال اكتشافك لصوت أو رائحة أو دخان غريب صادر من الجهاز.
- لا تضع يديك أو أشياء معدنية داخل المنطقة التي ينبعث منها الهواء البارد، أو غطاء أو جهاز يُصدر حرارة في الخلف.
- لا تستخدم قوة مفرطة أو تصطدم بالغطاء الخلفي للجهاز.
- احذر من تواجد الأطفال بالجوار عندما تفتح باب الجهاز أو تغلقه. قد يصطدم الطفل بالباب ويتسبب له بإصابة.
- تجنب خطر احتجاز الأطفال داخل الجهاز. يمكن أن يُصاب الطفل المحتجز داخل الجهاز باختناق.
- لا تضع الحيوانات الحية مثل الحيوانات الأليفة داخل الجهاز.
- لا تضع أشياء ثقيلة أو هشة أو حاويات مملوءة بسائل أو مواد قابلة للاحتراق، أو أشياء قابلة للاشتعال (مثل الشموع والمصابيح وما إلى ذلك) أو أجهزة تدفئة (مثل الأفران والسخانات وما إلى ذلك) على الجهاز.
- لا تضع أية أجهزة إلكترونية (مثل مدفأة أو هاتف محمول) داخل الجهاز.

5 إرشادات السلامة

- احرص ألا يعلق جزء من الجسد مثل اليد أو القدم أثناء تحريك الجهاز.
- افضل سلك الطاقة قبل تنظيف الجهاز من الداخل أو الخارج. لا تقم برش المياه أو المواد القابلة للاشتعال (معجون الأسنان، والكحول، ومُخفف الدهان، والبنزين، والسوائل القابلة للاشتعال، ومواد التنظيف وما إلى ذلك) على الجزء الداخلي أو الخارجي من الجهاز لتنظيفه. لا تنظف الجهاز بفرش، أو قطع ملابس، أو الإسفنج ذات الأسطح الخشنة أو تلك المصنوعة من مادة معدنية.
- يجب فقط على موظفي الخدمة المؤهلين من مركز خدمة LG Electronics فك الجهاز أو إصلاحه.

مخاطر الحريق والمواد القابلة للاشتعال

- في حال اكتشاف تسريب، تجنب أية أسنة لهب مكشوفة أو مصادر محتملة للاشتعال وقم بتهوية الغرفة التي يتواجد بها الجهاز لعدة دقائق. لكي تتجنب تكون خليط هواء غازي قابل للاشتعال في حال حدث تسريب في دائرة التبريد، يجب أن يتماشى حجم الغرفة المستخدم فيها الجهاز مع كمية غاز التبريد المستخدم. يجب أن تكون مساحة الغرفة 1 متر مربع لكل 8 جرام من غاز التبريد R600a داخل الجهاز.
- قد يشتعل غاز التبريد المتسرب من الأنابيب أو يتسبب في انفجار.
- يتم توضيح مقدار غاز التبريد داخل الجهاز الخاص على لوحة التعريف الموجودة داخل الجهاز.

التركيب

- عند نقل هذا الجهاز ، ينبغي توفر شخصين أو أكثر للإمساك به بإحكام.
- قم بتركيب الجهاز على أرضية صلبة ومستوية.
- تجنب تركيب الجهاز في أماكن الرطوبة والغبار. تجنب تركيب أو تخزين الجهاز في الهواء الطلق أو في مساحة معرضة للتأثيرات الجوية كضوء الشمس المباشر أو الرياح أو المطر أو درجات الحرارة دون درجة التجمد.
- لا تضع الجهاز تحت ضوء الشمس المباشر أو تعريضه للحرارة من قبل أجهزة حرارية مثل المواقد أو المدافئ.
- احرص على عدم كشف الجزء الخلفي من الجهاز عند التركيب.
- قم بتركيب الجهاز في مكان حيث يسهل فصل قابس الطاقة عن الجهاز.
- احرص على عدم السماح لباب الجهاز بالسقوط أثناء التجميع أو التفكيك.
- احرص على عدم قطع، أو سحق، أو تدمير كبل الطاقة أثناء تجميع باب الجهاز أو تفكيكه.
- احرص على عدم توجيه مقبس الطاقة لأعلى أو السماح للجهاز أن يميل في عكس اتجاه مقبس الطاقة.
- لا تقم بتعديل سلك الطاقة أو تمديده.
- تأكد أن مقبس الخرج مؤرض بشكل صحيح، وبذلك لا يتلف سن التأريض على سلك الطاقة أو تتم إزالته من مقبس الطاقة. لمزيد من التفاصيل عن التأريض، يمكنك الاستفسار عن ذلك من مركز خدمة العملاء في شركة LG Electronics.

- هذا الجهاز مخصص للاستخدام المنزلي والاستعمالات المماثلة مثل:
 - مناطق المطابخ في المتاجر والمكاتب وبيئات العمل الأخرى؛
 - البيوت الزراعية واستخدام نزل الفنادق والنزل وأماكن إقامة النزلاء الأخرى؛
 - بيئات تقديم وجبات الإفطار والوجبات المقدمة في السرير؛
 - خدمات المطاعم والتطبيقات المماثلة لمتاجر الجملة.
- جهاز المُبرد غير مُخصص للاستخدام كجهاز مدمج.
- هذا الجهاز غير مخصص للاستخدام في المنشآت المحمولة أو المتحركة، مثل الاستخدام في المنشآت البحرية أو في عربات السكن المتحركة، حيث سيتحرك الجهاز أثناء التشغيل.

يُحذرك هذا الرمز بأن المواد القابلة للاشتعال يُمكن أن تشتعل أو أن ينشب عنها حريق في حالة عدم توخي الحذر.



- يحتوي هذا الجهاز على كمية صغيرة من وسيط تبريد الأيزوبوتان (R600a)، ولكنه قابل للاشتعال أيضاً. عند نقل وتركيب الجهاز، يجب توخي الحذر لضمان عدم تعرض أجزاء من دائرة التبريد للتلف.
- يتطلب غاز التبريد وغاز المادة العازلة القابل للاشتعال المستخدمان بالجهاز إجراءات خاصة للتخلص منهما. استشر وكيل الخدمة أو شخصاً مؤهلاً بشكل مماثل قبل التخلص منهما.
- لا تتلف دائرة غاز التبريد.
- في حالة تلف سلك الطاقة أو ارتخاء فتحة المقبس، يجب استبدالها. لا تستخدم سلك الطاقة واتصل بمركز خدمة معتمد من أجل تجنب وقوع المخاطر.
- لا تضع المآخذ المحمولة متعددة المخارج/المقابس أو أسلاك التيار الكهربائي المحمولة خلف الجهاز. أدخل قابس الطاقة بإحكام في مقبس الخرج بعد إزالة أي رطوبة أو غبار بشكل كامل.
- احرص دائماً على عدم فصل الجهاز مصدر الطاقة من خلال شد كابل الطاقة. وإخراج قابس الطاقة من مقبس الخرج، احرص دائماً على الإمساك به بإحكام قبل أن تقوم بجذبه في وضعية مستقيمة.
- حافظ على خلو فتحات التهوية الموجودة على الغلاف الخارجي أو بالهيكل المدمج للجهاز، من العوائق.
- لا تقم بتخزين المواد المتفجرة مثل علب الأيروسول ذات الدافع القابل للاشتعال داخل هذا الجهاز.
- انقل الجهاز عمودياً فقط ولا تقم بإمالاته.
- تأكد عند وضع الجهاز من أن سلك التيار الكهربائي غير عالق أو تالف.
- لا تستخدم الأجهزة الميكانيكية أو غيرها من الوسائل لتسريع عملية إذابة الثلج.
- لا تستخدم مجفف الشعر لتجفيف الجهاز من الداخل أو تضع شمعة بالداخل لإزالة الروائح.
- لا تستخدم الأجهزة الكهربائية داخل حجيرات تخزين الطعام بالجهاز، ما لم تكن من النوع الذي توصي به الشركة المصنعة.

إرشادات السلامة

اقرأ جميع الإرشادات قبل الاستخدام

يتمثل الغرض من إرشادات السلامة التالية في الحيلولة دون وقوع المخاطر غير المتوقعة أو الأضرار الناجمة عن التشغيل غير الآمن أو غير الصحيح للمنتج. يتم تقسيم الإرشادات إلى "تحذير" و"تنبيه" على النحو الموضح أدناه.

رسائل السلامة

يتم عرض هذا الرمز للإشارة إلى الأمور وعمليات التشغيل التي يمكن أن تسبب مخاطر، فاحرص على قراءة الجزء الذي يحمل هذا الرمز بعناية واتبع الإرشادات لتجنب المخاطر.



تحذير



يشير هذا إلى أن عدم اتباع الإرشادات قد يسبب وقوع إصابة خطيرة أو الوفاة.

تنبيه



يشير هذا إلى أن عدم اتباع الإرشادات قد يتسبب في وقوع إصابة طفيفة أو تلف المنتج.

تحذير



- لتقليل مخاطر وقوع انفجار، أو نشوب حريق، أو حدوث وفاة، أو التعرض لصدمة كهربائية، أو حدوث إصابة، أو حروق للأشخاص عند استخدام المنتج، يجب اتباع احتياطات السلامة الأساسية، بما فيها ما يلي:

السلامة الفنية

- يمكن استخدام هذا الجهاز من قبل الأطفال الذين تتراوح أعمارهم بين 8 سنوات وأكثر والأشخاص ذوي القدرات الجسدية أو الحسية أو العقلية المنخفضة أو الذين يفتقرون إلى الخبرة والمعرفة إذا ما تم توفير الإشراف والإرشادات لهم فيما يتعلق باستخدام الجهاز بطريقة آمنة وفهم المخاطر التي ينطوي عليها. يجب ألا يعيبت الأطفال بالجهاز. يجب عدم قيام الأطفال بأعمال التنظيف وصيانة المستخدم دون إشراف.
- هذا الجهاز غير مخصص لاستخدام الأفراد (بما في ذلك الأطفال) الذين يعانون من نقص في قدراتهم البدنية أو الحسية أو العقلية، أو ليس لديهم خبرة ومعرفة، ما لم يتم الإشراف عليهم أو تقدم لهم الإرشادات المتعلقة باستخدام الجهاز من قبل شخص مسؤول عن سلامتهم، كذلك يجب الإشراف على الأطفال للتأكد من عدم عبثهم بالجهاز.
- يُسمح للأطفال من سن 3 إلى 8 سنوات بتعبئة أجهزة التبريد وإفراغها.

جدول المحتويات

قد يحتوي هذا الدليل على صور أو محتوى يختلف عن الطراز الذي قمت بشرائه.
يخضع هذا الدليل للمراجعة من الشركة المصنعة.

إرشادات السلامة

- 3.....اقرأ جميع الإرشادات قبل الاستخدام.
- 3.....تحذير
- 7.....تنبيه.....

التركيب

- 9.....قبل إجراء التركيب
- 10.....ضبط مستوى الجهاز
- 10.....تشغيل الطاقة
- 10.....تحريك الجهاز لنقله إلى مكان آخر

التشغيل

- 12.....قبل الاستخدام
- 14.....خواص المنتج.....
- 16.....لوحة التحكم.....
- 17.....صانع الثلج
- 17.....درج التلاجة.....
- 18.....سلة الباب.....
- 18.....الرف

الصيانة

- 19.....التنظيف

استكشاف الأعطال وإصلاحها

- 20.....قبل الاتصال للحصول على الخدمة.....

الملحق

- 24.....معلومات.....

امسح كود QR للإطلاع على الدليل.



دليل المالك الثلاجة والمجمد

قبل البدء في تركيب الجهاز، اقرأ هذه التعليمات بعناية. حيث سييسط ذلك عملية التركيب ويضمن تركيب الجهاز بشكل صحيح وآمن. واحتفظ بهذه التعليمات بالقرب من المنتج بعد التركيب للرجوع إليها في المستقبل.



العربية

www.lg.com

حقوق النشر 2025 إل جي للإلكترونيات. كل الحقوق محفوظة



MFL71808310
Rev.01_082125