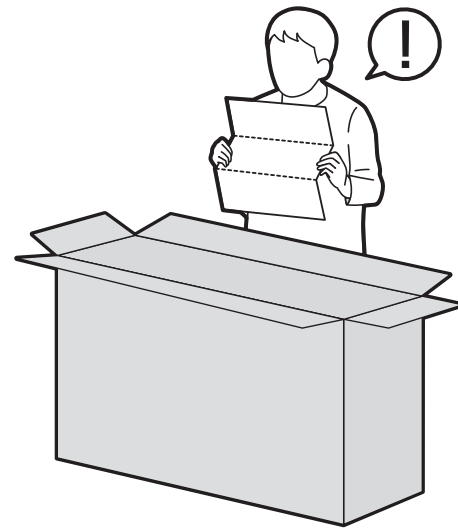
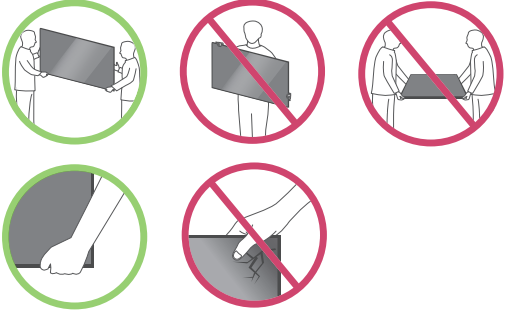
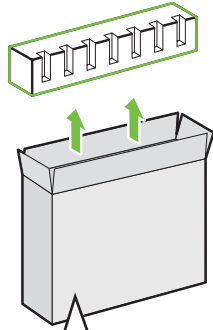


50UQ7590PUB	55UQ7030PUD	55UQ8000AUB	65UQ7590PUB
50UQ7590PUK	55UQ7050ZUD	55UQ8000AUK	65UQ7590PUK
50UQ8000AUB	55UQ7590PUB	65UQ7030PUD	65UQ8000AUB
50UQ8000AUK	55UQ7590PUK	65UQ7050ZUD	65UQ8000AUK

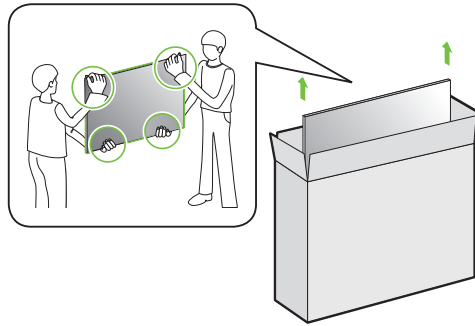


1-A

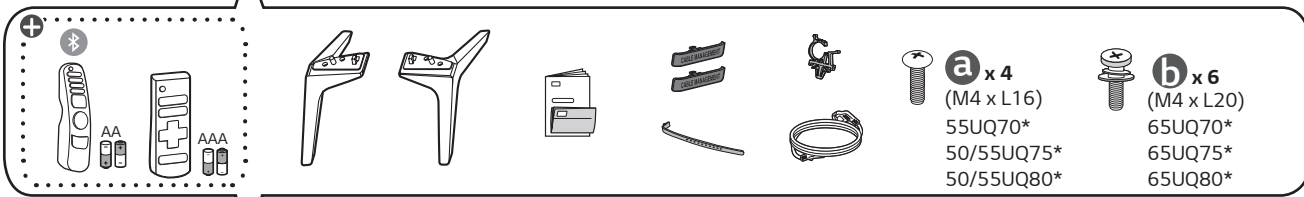
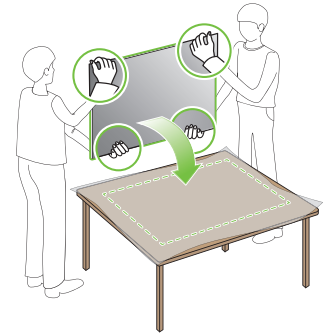
55UQ70*
50/55UQ75*
50/55UQ80*



2-A

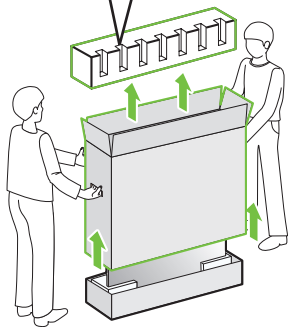


3

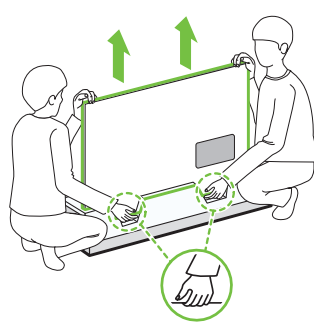


1-B

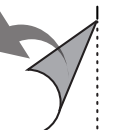
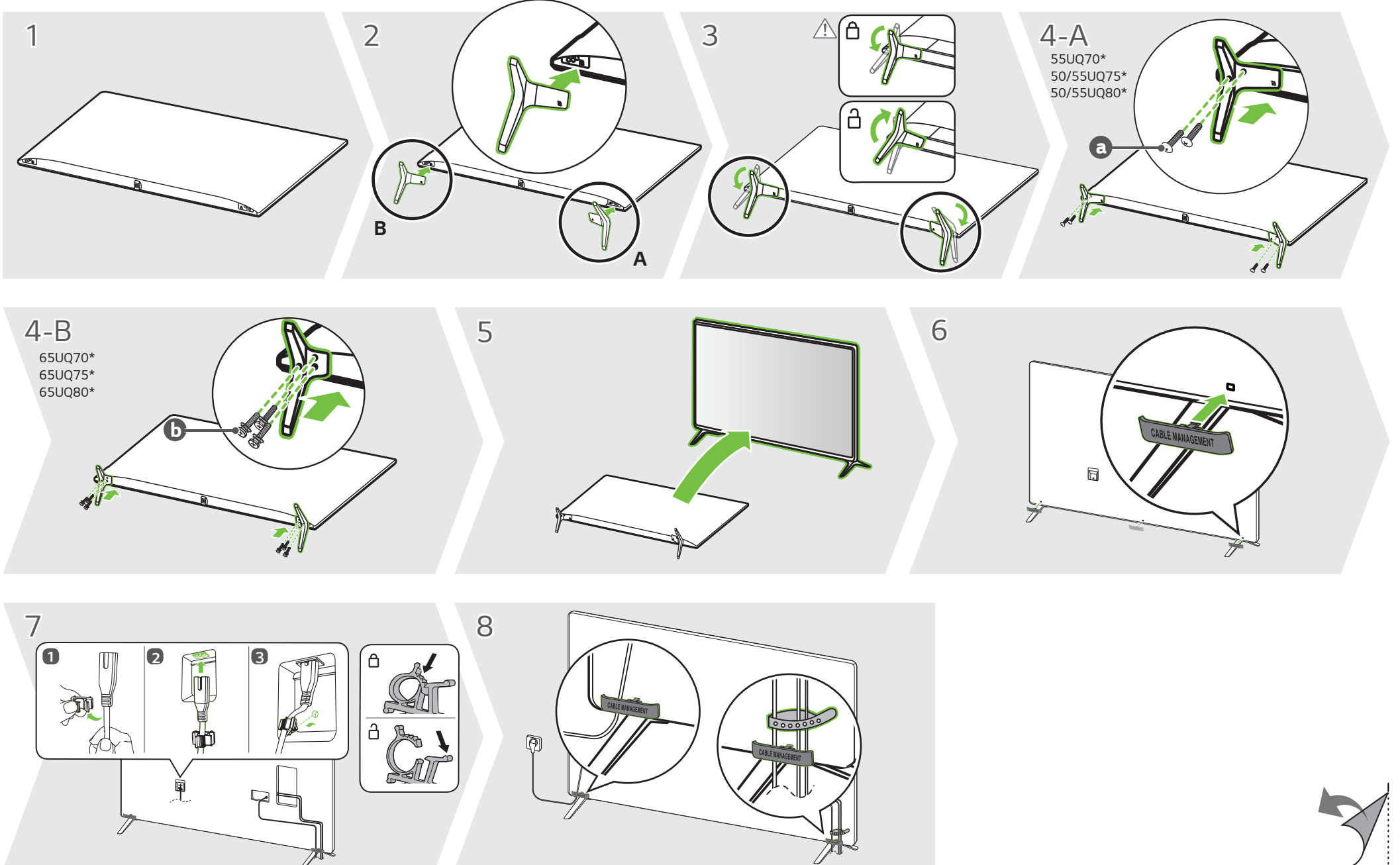
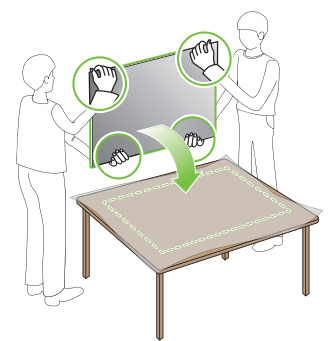
65UQ70*
65UQ75*
65UQ80*



2-B

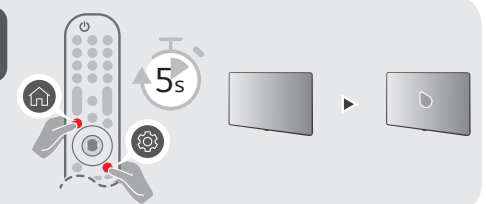
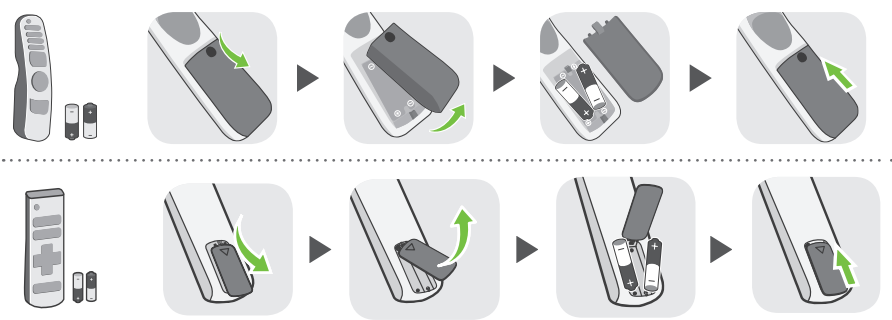
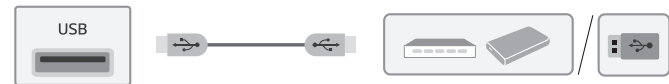


3

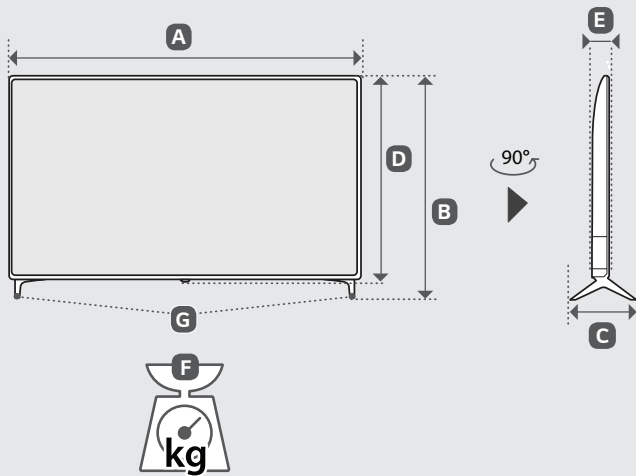




OPTICAL DIGITAL AUDIO OUT /
SORTIE AUDIO NUMÉRIQUE OPTIQUE



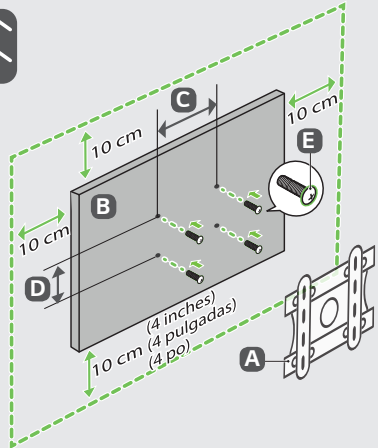
A, B, C, D, E : mm (inches / pulgadas / po)
F, G : kg (lbs / libras / lb)



MODELS		A		B		C		D		E		F		F-G		Power consumption
MODELOS		A		B		C		D		E		F		F-G		Consumo de potencia
MODÈLES		A		B		C		D		E		F		F-G		Consommation électrique
50UQ7590PUB	50UQ8000AUB	1,121	1 121	713	713	231	231	651	651	57.1	57.1	11.9	11.9	11.7	11.7	130 W
50UQ7590PUK	50UQ8000AUK	(44.1)	(44,1)	(28.0)	(28,0)	(9.0)	(9,0)	(25.6)	(25,6)	(2.2)	(2,2)	(26.2)	(26,2)	(25.7)	(25,7)	
55UQ7030PUD	55UQ8000AUB	1,235	1 235	776	776	231	231	715	715	57.5	57.5	14.2	14.2	14.0	14.0	135 W
55UQ7050ZUD	55UQ8000AUK	(48.6)	(48,6)	(30.5)	(30,5)	(9.0)	(9,0)	(28.1)	(28,1)	(2.2)	(2,2)	(31.3)	(31,3)	(30.8)	(30,8)	
55UQ7590PUB	55UQ8000AUK															185 W
65UQ7030PUD	65UQ8000AUB	1,454	1 454	906	906	269	269	838	838	57.7	57.7	21.8	21.8	21.5	21.5	
65UQ7050ZUD	65UQ8000AUK	(57.2)	(57,2)	(35.6)	(35,6)	(10.5)	(10,5)	(32.9)	(32,9)	(2.2)	(2,2)	(48.0)	(48,0)	(47.3)	(47,3)	

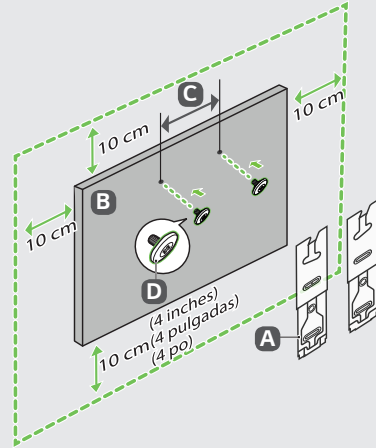
Power requirement / Alimentación requerida / Alimentation

AC 120 V- 50/60 Hz



C, D : mm (inches / pulgadas / po)

A	B	C x D	E
LSW240B	50UQ75*	200 (7.8) x 200 (7.8)	M6
MSW240	50UQ80*	200 (7.8) x 200 (7.8)	
OLW480B	55UQ70*	300 (11.8) x 300 (11.8)	M6
MSW240	55UQ75*	300 (11.8) x 300 (11.8)	
OLW480B	65UQ70*	300 (11.8) x 300 (11.8)	M6
	65UQ75*	300 (11.8) x 300 (11.8)	
	65UQ80*	300 (11.8) x 300 (11.8)	



C : mm (inches / pulgadas / po)

A	B	C	D
WB21LMB	50UQ75*	200 (7.8)	M6
	50UQ80*	200 (7.8)	
WB21LMB	55/65UQ70*	300 (11.8)	M6
	55/65UQ75*	300 (11.8)	
	55/65UQ80*	300 (11.8)	



ENGLISH Read **Safety and Reference**.

ESPAÑOL Leer **Seguridad y Consultas**.

FRANÇAIS Lisez **Sécurité et références**.

ENGLISH **Easy Setup Guide**

Please read this manual carefully before operating your set and retain it for future reference.

ESPAÑOL **Guía Rápida de Configuración**

Lea atentamente este manual antes de poner en marcha el equipo y consérvelo para futuras consultas.

FRANÇAIS **Guide de configuration rapide**

Avant d'utiliser l'appareil, veuillez lire attentivement ce manuel et le conserver pour pouvoir vous y reporter ultérieurement.

⊕ : Depending upon model / Según el modelo / Selon le modèle