



OWNER'S MANUAL

Smart Camera

Please read this manual carefully before operating your set and retain it for future reference.

AN-VC550

PREPARATION

Product Handling

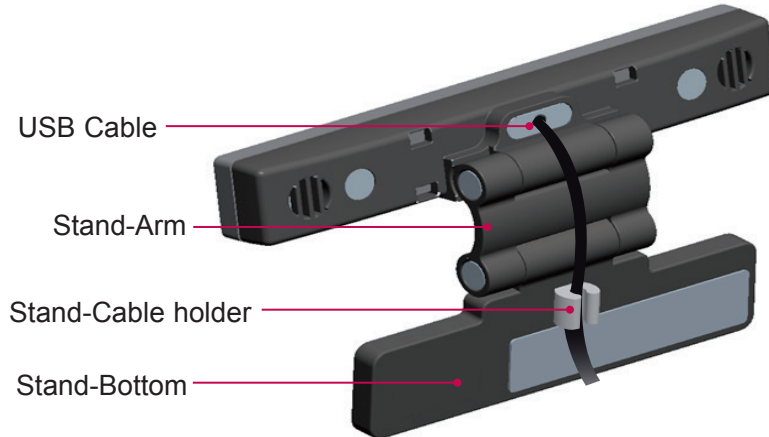
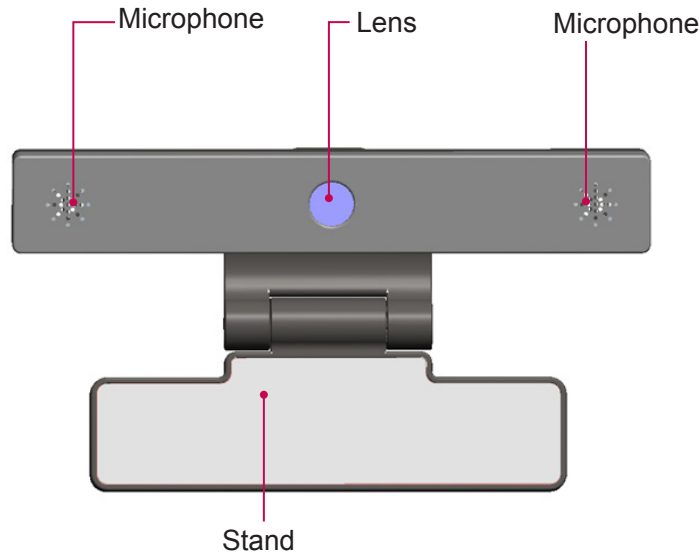
- Do not let the camera get wet. Liquid getting into the camera could cause a short circuit.
- Wipe the camera gently with a dry cloth to remove any dust or dirt. If the product is very dirty, spray a mild detergent on the cloth first.
- If there are any foreign objects on the lens, the image may not be clear. Clean the lens with a soft cloth before use.
- Do not clean with thinner, alcohol, benzene, or any other volatile agent. These may damage the product's surface or affect its operation.
- Do not disassemble, repair or alter the product. Incorrect disassembly may cause a fire, electric shock, or injury.
- Do not shake the camera.
- Do not pull on the cable.

Installation Instructions

- Make sure you have enough space for connections when installing the product.
- Do not install in a dusty, dirty, or moist area.
- Do not install in direct sunlight or near a heat source.
- Magnetic objects, such as speakers, may interfere with the camera's operation.
- Install the product in a place with moderate temperature and humidity. The recommended temperature range is 0 °C to 40 °C.
- Strong electromagnetic waves from other devices could interfere with the camera's operation.
- Remove all the protective plastic bags (vinyl) before use.

- * The product and company names contained in this manual may or may not be registered trademarks or copyrighted, and are only used for identification or explanatory purposes. All trademarks reserved.
- * Refer to the model names indicated on the product box for supported TV models.

Overview

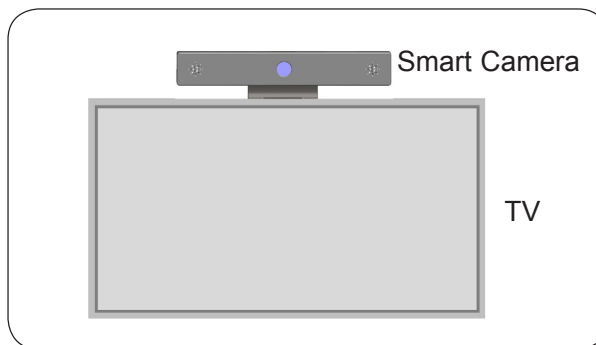


! NOTE

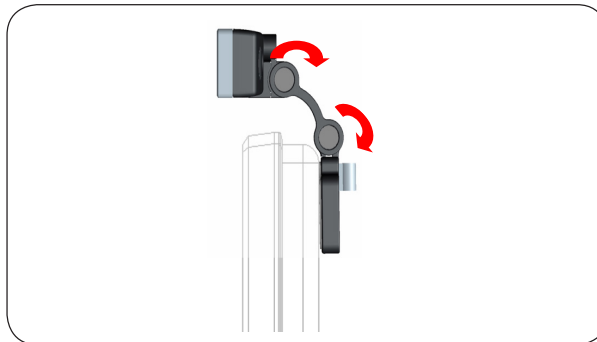
- ▶ Before using the built-in camera, you must recognize the fact that you are legally responsible for the use or misuse of the camera by the relevant national laws including criminal law.
- ▶ The relevant laws include the Personal Information Protection law which regulates the processing and transferring of personal information and the law which regulates the monitoring by camera in a workplace and other places.
- ▶ When using the built-in camera, the user must gain consent from the data subjects. Please avoid using the camera in the following manner.
 - (1) Using the camera in areas where the use of camera is generally prohibited such as restroom, locker room, fitting room, and security area.
 - (2) Using the camera while causing the infringement of privacy.
 - (3) Using the camera while causing the violation of the relevant regulations or laws.

Installing the smart camera

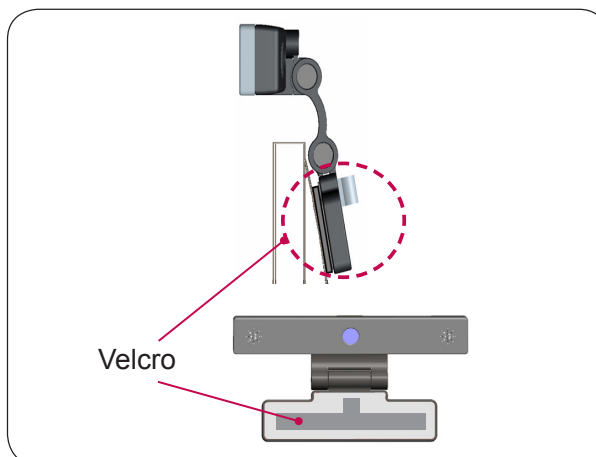
- 1 Unfold the stand and put it on the top center of the TV set.



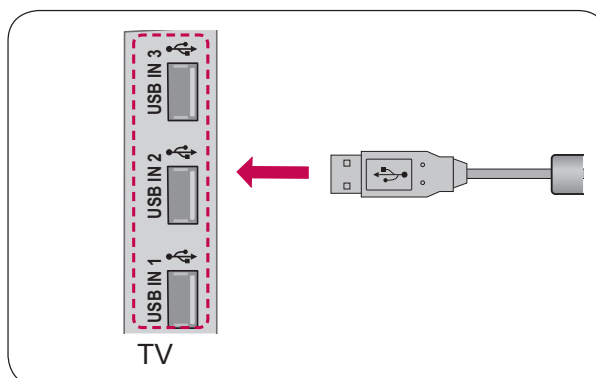
- 2 Fold the stand.



- 3 Firmly attach the product to the back of the TV using the velcro tape.



- 4 Connect the USB cable to the side of the TV.
The camera may not work if it is connected through a USB hub.



! NOTE

- ▶ For the best quality video and audio outputs, install the camera on the top-center of your TV.
- ▶ Set up with the television switched off.
- ▶ When using external speakers, allow sufficient space between the microphones and the speakers.

PRODUCT SPECIFICATIONS

MODEL		AN-VC550 (Smart Camera)	
Dimensions (Width x Height x Depth)		112 mm x 56 mm x 38 mm	
Weight		114.4 g	
Video	Lens	Focus	More than 100 cm
		Field of Vision	77° in diagonal
	Effective pixels	1920 x 1080	
	Output format	H.264, JPEG	
	Output Image	Full-HD	
Audio	Microphone	2 microphones	
Interface		USB	
Environmental conditions	Operating Temperature	0 °C to 40 °C	
	Operating Humidity	0 % to 80 %	
	Storage Temperature	-20 °C to 70 °C	
	Storage Humidity	0 % to 90 %	

- Contents in this manual may be changed without prior notice due to upgrade of product functions.
- The specifications shown above may be altered without prior notice to improve quality.





LG

Life's Good

REGULATORY

FCC NOTICE

This equipment has been tested and found to comply with the limits for a Class B digital device, pursuant to part 15 of the FCC Rules. These limits are designed to provide reasonable protection against harmful interference in a residential installation. This equipment generates, uses and can radiate radio frequency energy and, if not installed and used in accordance with the instructions, may cause harmful interference to radio communications. However, there is no guarantee that interference will not occur in a particular installation. If this equipment does cause harmful interference to radio or television reception, which can be determined by turning the equipment off and on, the user is encouraged to try to correct the interference by one or more of the following measures:

- Reorient or relocate the receiving antenna.
- Increase the separation between the equipment and receiver.
- Connect the equipment into an outlet on a circuit different from that to which the receiver is connected.
- Consult the dealer or an experienced radio/TV technician for help.

You are cautioned that changes or modifications not expressly approved by the part responsible for compliance could void the user's authority to operate the equipment.

This device complies with Part 15 of the FCC Rules. Operation is subject to the following two conditions:

- 1) this device may not cause harmful interference,
- and 2) this device must accept any interference received, including interference that may cause undesired operation of the device.



The lightning flash with arrowhead symbol, within an equilateral triangle, is intended to alert the user to the presence of uninsulated "dangerous voltage" within the product's enclosure that may be of sufficient magnitude to constitute a risk of electric shock to persons.



The exclamation point within an equilateral triangle is intended to alert the user to the presence of important operating and maintenance (servicing) instructions in the literature accompanying the appliance.

Declaration of Conformity

Trade Name: LG
 Model : AN-VC550
 Responsible Party: LG Electronics Inc.
 Address : 1000 Sylvan Ave.
 Englewood Cliffs
 NJ 07632 U.S.A
 TEL: 201-266-2534

UKRAINE only



001

Обмеження України на наявність небезпечних речовин

Устаткування відповідає вимогам технічного регламенту щодо обмеженого використання небезпечних речовин в електричному і електронному обладнанні.

Ukraine Restriction of Hazardous Substances

The equipment complies with requirements of the Technical Regulation, in terms of restrictions for the use of certain dangerous substances in electrical and electronic equipment.

Адреса імпортера:
ПІІ «ЛГ ЕЛЕКТРОНІКС Україна» вул.
Басейна, 6, м. Київ, 01004,
Тел.: +38 (044) 201-43-50

CU Conformity Notice



EU Conformity Notice:



ENGLISH

Declaration of Conformity

LG Electronics hereby declares that this product is in compliance with the following Directives.

EMC Directive 2004/108/EC
 LOW VOLTAGE Directive 2006/95/EC
 ErP Directive 2009/125/EC
 RoHS Directive 2011/65/EU

European representative:
 LG Electronics Inc. Krijgsman 1, 1186 DM
 Amstelveen, The Netherlands

DEUTSCH

Konformitätserklärung

LG Electronics erklärt hiermit, dass dieses Produkt den folgenden Richtlinien entspricht:

EMC-Richtlinie 2004/108/EC
 Niederspannungsrichtlinie 2006/95/EC
 ErP-Richtlinie 2009/125/EG
 RoHS-Richtlinie 2011/65/EU

Vertreter für Europa:
 LG Electronics Inc. Krijgsman 1, 1186 DM
 Amstelveen, Niederlande

FRANÇAIS

Déclaration de conformité

LG Electronics atteste que ces produits est en conformité avec les Directives suivantes.

Directive 2004/108/CE EMC
 Directive 2006/95/CE des appareils basse tension
 Directive ErP 2009/125/EC
 Directive RoHS 2011/65/EU

Représentant en Europe :
 LG Electronics Inc. Krijgsman 1, 1186 DM
 Amstelveen, Pays-Bas

ITALIANO

Dichiarazione di conformità

LG dichiara che questo prodotto è conforme alle seguenti direttive.

Direttiva EMC 2004/108/CE
 Direttiva BASSA TENSIONE 2006/95/CE
 Direttiva ErP 2009/125/CE
 Direttiva RoHS 2011/65/UE

Rappresentante europeo:
 LG Electronics Inc. Krijgsman 1, 1186 DM
 Amstelveen, Paesi Bassi

ESPAÑOL

Declaración de conformidad

Por la presente, LG Electronics declara que este producto cumple con las siguientes directivas.

Directiva sobre compatibilidad electromagnética 2004/108/CE
 Directiva sobre baja tensión 2006/95/CE
 Directiva ErP 2009/125/EC
 Directiva RoHS 2011/65/EU

Representante europeo:
 LG Electronics Inc. Krijgsman 1, 1186 DM
 Amstelveen, Países Bajos

PORTUGUÊS

Declaração de conformidade

A LG Electronics declara por este meio que este produto está em conformidade com as seguintes Directivas.

Directiva relativa à compatibilidade electromagnética 2004/108/CE
 Directiva para equipamentos de BAIXA TENSÃO 2006/95/CE
 Directiva relativa a ErP (Produtos relacionados com energia) 2009/125/EC
 Directiva relativa à RoHS (Restrição de Certas Substâncias Perigosas) 2011/65/EU

Representante europeu:
 LG Electronics Inc. Krijgsman 1, 1186 DM
 Amstelveen, Holanda

NEDERLANDS

Conformiteitsverklaring

LG verklaart hierbij dat dit product voldoet aan de volgende richtlijnen.

EMC-richtlijn 2004/108/EC
Laagspanningsrichtlijn 2006/95/EC
Europese Richtlijn 2009/125/EG
Europese Richtlijn 2011/65/EU

Europees hoofdkantoor:
LG Electronics Inc. Krijgsman 1, 1186 DM
Amstelveen, Nederland

ΕΛΛΗΝΙΚΑ

Δήλωση συμμόρφωσης

H LG Electronics δηλώνει ότι το παρόν προϊόν συμμορφώνεται με τις εξής Οδηγίες:

Οδηγία 2004/108/EK περί Ηλεκτρομαγνητικής
Συμβατότητας
Οδηγία 2006/95/EK περί Χαμηλής Τάσης
Οδηγία ErP 2009/125/EK
Οδηγία RoHS 2011/65/EE

Ευρωπαϊκός αντιπρόσωπος:
LG Electronics Krijgsman 1, 1186 DM Amstelveen,
Ολλανδία

MAGYAR

Megfelelőségi nyilatkozat

Az LG Electronics ezúton kijelenti, hogy a termék megfelel a következő irányelvek előírásainak:

2004/108/EK EMC irányelv
2006/95/EK KISFESZÜLTÉSÉGŰ irányelv
2009/125/EK ErP irányelv
2011/65/EU RoHS irányelv

Európai képviselő:
LG Electronics Krijgsman 1, 1186 DM Amstelveen,
Hollandia

POLSKI

Deklaracja zgodności

Firma LG Electronics niniejszym zaświadcza, że ten produkt spełnia wymagania poniższych dyrektyw.

Dyrektywa 2004/108/WE dotycząca
kompatybilności elektromagnetycznej
Dyrektywa 2006/95/WE dotycząca sprzętu
elektrycznego przeznaczonego do stosowania w
określonych granicach napięcia
Dyrektywa 2009/125/WE w sprawie wymogów
dotyczących ekoprojektu dla produktów
związanych z energią
Dyrektywa RoHS 2011/65/UE w sprawie
ograniczenia stosowania substancji
niebezpiecznych

Przedstawiciel na Europe:
LG Electronics Krijgsman 1, 1186 DM Amstelveen,
Holandia

ČESKY

Prohlášení o shodě

Společnost LG Electronics tímto prohlašuje, že tento výrobek je ve shodě s následujícími směrnici.

Směrnice o elektromagnetické kompatibilitě
2004/108/EC
Směrnice o nízkém napětí 2006/95/EC
Směrnice ErP 2009/125/EC
Směrnice RoHS 2011/65/EU

Zastoupení v Evropě:
LG Electronics Krijgsman 1, 1186 DM Amstelveen,
Nizozemsko

SLOVENČINA

Vyhlasenie o zhode

Spoločnosť LG Electronics týmto vyhlasuje, že tento výrobok dosahuje súlad s nasledujúcimi smernicami.

Smernica EMC 2004/108/ES
Smernica o slaboprúde 2006/95/ES
Smernica ErP 2009/125/ES
Smernica RoHS 2011/65/EÚ

Európske zastupiteľstvo:
LG Electronics Krijgsman 1, 1186 DM Amstelveen,
Holandsko

ROMÂNĂ

Declarație de conformitate

Prin prezenta, LG Electronics declară că acest produs este conform cu următoarele Directive.

Directiva EMC 2004/108/CE
Directiva pentru tensiune joasă 2006/95/CE
Directiva ErP 2009/125/CE
Directiva RoHS 2011/65/UE

Reprezentant european:
LG Electronics Krijgsman 1, 1186 DM Amstelveen,
Olanda

БЪЛГАРСКИ

Декларация за съответствие

С настоящото LG Electronics декларира, че този продукт съответства на следните директиви.

EMC директива 2004/108/EC
Директива за НИСКО НАПРЕЖЕНИЕ 2006/95/
EC
ErP Директива 2009/125/EC
RoHS Директива 2011/65/EU

Европейски представител:
LG Electronics Krijgsman 1, 1186 DM Amstelveen,
Нидерландия

SVENSKA

Försäkran om överensstämmelse

LG Electronics intygar härmed att den här produkten uppfyller följande gällande direktiv:

EMC-direktivet 2004/108/EG
Lågspänningsdirektivet 2006/95/EG
ErP-direktivet 2009/125/EG
RoHS-direktivet 2011/65/EG

Europeisk representant:
LG Electronics Krijgsman 1, 1186 DM Amstelveen,
Nederländerna

NORSK

Samsvarserklæring

LG Electronics erklærer herved at dette produktet er i henhold til de følgende direktivene.

EMC-direktiv 2004/108/EC
Lavspenningsdirektiv 2006/95/EC
ErP-direktiv 2009/125/EC
RoHS-direktiv 2011/65/EU

Europeisk representant:
LG Electronics Krijgsman 1, 1186 DM Amstelveen,
Nederland

DANSK

Overensstemmelseserklæring

LG Electronics erklærer hermed, at dette produkt overholder følgende direktiver.

EMC-direktiv 2004/108/EC
LOW VOLTAGE-direktiv 2006/95/EC
ErP-direktiv 2009/125/EC
RoHS-direktiv 2011/65/EU

Europæisk repræsentant:
LG Electronics Krijgsman 1, 1186 DM Amstelveen,
Holland

SUOMI

Vaatimustenmukaisuusvakuutus

LG Electronics vakuuttaa täten, että tämä tuote on seuraavien direktiivien mukainen.

EMC-direktiivi 2004/108/EC
 LOW VOLTAGE -direktiivi 2006/95/EC
 ErP-direktiivi 2009/125/EY
 RoHS-direktiivi 2011/65/EU

Edustaja Euroopassa:
 LG Electronics Krijgsman 1, 1186 DM Amstelveen,
 Alankomaat

EESTI

Vastavusdeklaratsioon

Käesolevaga kinnitab LG Electronics, et see toode ühildub järgmistele direktiividega..

Elektromagnetilise ühilduvuse direktiiv 2004/108/
 EÜ
 MADALPINGESEADMETE direktiiv 2006/95/EÜ
 Energiamõjuga toodete direktiiv 2009/125/EÜ
 RoHS-direktiiv 2011/65/EL

Euroopa esindus:
 LG Electronics Krijgsman 1, 1186 DM Amstelveen,
 Holland

LIETUVIŲ K.

Atitikties deklaracija

„LG Electronics“ pareiškia, kad šis produktas atitinka tokias direktyvas.

EMS direktyvą 2004/108/EB
 Žemos įtampos direktyvą 2006/95/EB
 ErP direktyva 2009/125/EB
 RoHS direktyva 2011/65/ES

Atstovas Europoje:
 LG Electronics Krijgsman 1, 1186 DM Amstelveen,
 Nyderlandai

LATVIEŠU

Atbilstības deklarācija

LG Electronics ar šo paziņo, ka šis izstrādājums atbilst turpmāk minētajām direktīvām.

Elektromagnētiskās savietojamības direktīva
 2004/108/EK
 Direktīva par zemspriegumu 2006/95/EK
 Elektromagnētiskās savietojamības direktīva
 2009/125/EK
 RoHS direktīva 2011/65/ES

Pārstāvniecība Eiropā:
 LG Electronics Krijgsman 1, 1186 DM Amstelveen,
 Nīderlande

SLOVENŠČINA

Izjava o skladnosti

LG Electronics izjavlja, da je ta izdelek v skladu z naslednjimi direktivami.

Direktiva 2004/108/ES o elektromagnetni
 združljivosti
 Direktiva 2006/95/ES o nizki napetosti
 Direktiva 2009/125/ES o energijskih izdelkih
 Direktiva 2011/65/EU o standardu RoHS

Evropski zastopnik:
 LG Electronics Krijgsman 1, 1186 DM Amstelveen,
 Nizozemska

SRPSKI

Izjava o usklađenosti

LG Electronics ovim izjavljuje da je ovaj proizvod usklađen sa sledećim direktivama:.

EMC direktiva 2004/108/EC
 NISKONAPONSKA direktiva 2006/95/EC
 ErP direktiva 2009/125/EC
 RoHS direktiva 2011/65/EU

Evropski predstavnik:
 LG Electronics Krijgsman 1, 1186 DM Amstelveen,
 Holandija

HRVATSKI

Deklaracija o sukladnosti

LG Electronics ovim putem izjavljuje da je ovaj proizvod sukladan sljedećim Direktivama.

R&EMC direktiva 2004/108/EC
Direktiva o niskonaponskim uređajima 2006/95/EC
ErP direktiva 2009/125/EC
RoHS direktiva 2011/65/EU

Zastupnik za Europu:
LG Electronics Krijgsman 1, 1186 DM Amstelveen,
Nizozemska

SHQIP

Deklarata e konformitetit

LG Electronics nëpërmjet kësaj deklaron se ky produkt është në përputhje me Direktivat e mëposhtme.

Direktivën EMC 2004/108/KE
Direktivën për VOLTASHIN E ULËT 2006/95/KE
Direktiva ErP 2009/125/KE
Direktiva RoHS 2011/65/BE

Përfaqësuesi evropian:
LG Electronics Krijgsman 1, 1186 DM Amstelveen,
Holandë

TÜRKÇE

Uygunluk Bildirimi

LG Electronics, burada bu ürünün aşağıdaki Direktifler ile uyumlu olduğunu beyan eder.

EMC Direktifi 2004/108/EC
DÜŞÜK VOLTAJ Direktifi 2006/95/EC
ErP Direktifi 2009/125/EC
RoHS Direktifi 2011/65/EU

Avrupa temsilciliği :
LG Electronics Krijgsman 1, 1186 DM Amstelveen,
Hollanda

BOSANSKI

Izjava o usklađenosti

LG Electronics ovim putem izjavljuje da je ovaj proizvod usklađen sa sljedećim direktivama:

Direktiva o elektromagnetskoj kompatibilnosti
2004/108/EC
Direktiva o niskonaponskoj opremi 2006/95/EC
ErP direktiva 2009/125/EC
RoHS direktiva 2011/65/EU

Predstavnik za Europu:
LG Electronics Krijgsman 1-1186 DM Amstelveen,
Holandija

МАКЕДОНСКИ

Декларација за усогласеност

LG Electronics јавно изјавува дека овој производ е во согласност со следните директиви.

EMC директива 2004/108/EC
Директива за НИЗОК НАПОН 2006/95/EC
ErP директива 2009/125/EC
RoHS директива 2011/65/EU

Европски претставник:
LG Electronics Krijgsman 1, 1186 DM Amstelveen,
Холандија

ҚАЗАҚША

Сәйкестік мәлімдемесі

LG Electronics осы құжат арқылы бұл құрылғының мына директиваларға сай екенін мәлімдейді.

2004/108/EC электромагниттік үйлесімділік директивасы
Төмен кернеулі жабдықтардың 2006/95/EC директивасы
2009/125/EC санды ErP директивасы
2011/65/EU санды RoHS директивасы

Еуропадағы өкілдік:
LG Electronics Krijgsman 1, 1186 DM Amstelveen,
Нидерланд

РУССКИЙ

Заявление о соответствии

Компания LG Electronics настоящим заявляет о том, что данное изделие соответствует следующим директивам.

Директива EMC 2004/108/EC
 Директива LOW VOLTAGE 2006/95/EC
 Директива ErP 2009/125/EC
 Директива RoHS 2011/65/EU

Представительство в Европе:
 LG Electronics Krijgsman 1, 1186 DM Amstelveen,
 Нидерланды

УКРАЇНСЬКА

Декларація про відповідність

Цим компанія LG Electronics підтверджує відповідність цього продукту вимогам директив, що перелічені нижче.

Директива EMC, 2004/108/EC
 Директива НИЗЬКОЇ НАПРУГИ, 2006/95/EC
 Директива ErP, 2009/125/EC
 Директива RoHS, 2011/65/EU

Уповноважена особа у Європі:
 LG Electronics Krijgsman 1, 1186 DM Amstelveen,
 Нідерланди

적합성 평가 표시

MSIP-REM-LGE-AN-VC550



기자재의 명칭 (모델명) :
 Smart TV Camera (AN-VC550)

상호명 : 엘지전자 (주)

제조사 / 제조국가 : 엘지전자 (주) / 대한민국

제조년월 : 2015.

KOREA

978-1 Jangduk-dong Gwangsan-gu Gwangju-si,
Korea (Hanamsandan No. 5)

978-1 Джанг-донг Гвангсан-гу Гвангджу-си,
Корея (Ханамсандан №5)

978-1 Джанг-донг Гвангсан-гу Гвангджу-си,
Корея (Ханамсандан №5)

Корея (Ханамсандан №5), 978-1 Джанг-донг
Гвангсан-гу Гвангджу-си

