



OWNER'S MANUAL

High Power Speaker System

Please read this manual carefully before operating your set and retain it for future reference.

MODEL
RK1



MFL69940449

www.lg.com

Copyright © 2018 LG Electronics Inc. All Rights Reserved.

Safety Information



CAUTION
RISK OF ELECTRIC SHOCK
DO NOT OPEN



CAUTION: TO REDUCE THE RISK OF ELECTRIC SHOCK DO NOT REMOVE COVER (OR BACK) NO USER-SERVICEABLE PARTS INSIDE REFER SERVICING TO QUALIFIED SERVICE PERSONNEL

This lightning flash with arrowhead symbol within an equilateral triangle is intended to alert the user to the presence of uninsulated dangerous voltage within the product's enclosure that may be of sufficient magnitude to constitute a risk of electric shock to persons.



The exclamation point within an equilateral triangle is intended to alert the user to the presence of important operating and maintenance (servicing) instructions in the literature accompanying the product.



WARNING: TO PREVENT FIRE OR ELECTRIC SHOCK HAZARD, DO NOT EXPOSE THIS PRODUCT TO RAIN OR MOISTURE.

CAUTION: The apparatus should not be exposed to water (dripping or splashing) and no objects filled with liquids, such as vases, should be placed on the apparatus.

WARNING: Do not install this equipment in a confined space such as a book case or similar unit.

CAUTION: Do not use high voltage products around this product. (ex. Electrical swatter) This product may malfunction due to electrical shock.

CAUTION: Do not block any ventilation openings. Install in accordance with the manufacturer's instructions.

Slots and openings in the cabinet are provided for ventilation and to ensure reliable operation of the product and to protect it from over heating. The openings shall be never be blocked by placing the product on a bed, sofa, rug or other similar surface. This product should not be placed in a built-in installation such as a bookcase or rack unless proper ventilation is provided or the manufacturer's instruction has been adhered to.

NOTICE: For safety marking information including product identification and supply ratings, please refer to the main label on the bottom or the other surface of the product.

CAUTION concerning the Power Cord

The Power Plug is the disconnecting device. In case of an emergency, the Power Plug must remain readily accessible.

Check the specification page of this owner's manual to be certain of the current requirements.

Do not overload wall outlets. Overloaded wall outlets, loose or damaged wall outlets, extension cords, frayed power cords, or damaged or cracked wire insulation are dangerous. Any of these conditions could result in electric shock or fire. Periodically examine the cord of your device, and if its appearance indicates damage or deterioration, unplug it, discontinue use of the device, and have the cord replaced with an exact replacement part by an authorized service center. Protect the power cord from physical or mechanical abuse, such as being twisted, kinked, pinched, closed in a door, or walked upon. Pay particular attention to plugs, wall outlets, and the point where the cord exits the device.

This device is equipped with a portable battery or accumulator.

Safety way to remove the battery or the battery from the equipment: Remove the old battery or battery pack, follow the steps in reverse order than the assembly. To prevent contamination of the environment and bring on possible threat to human and animal health, the old battery or the battery put it in the appropriate container at designated collection points. Do not dispose of batteries or battery together with other waste. It is recommended that you use local, free reimbursement systems batteries and accumulators. The battery shall not be exposed to excessive heat such as sunshine, fire or the like.

CAUTION: No naked flame sources, such as lighted candles, should be placed on the apparatus.

Symbols

| | |
|-------|-------------------------------------|
| ~ | Refers to alternating current (AC). |
| — — — | Refers to direct current (DC). |
| ⊞ | Refers to class II equipment. |
| ⏻ | Refers to stand-by. |
| I | Refers to "ON" (power). |
| ⚡ | Refers to dangerous voltage. |

Table of Contents

1 Getting Started

- 2 Safety Information
- 6 Unique Features
- 7 Playable file Requirement
- 7 – Music file requirement
- 7 – Compatible USB Devices
- 7 – USB device requirement
- 8 Remote control
- 10 Top / Front panel
- 11 Side / Rear panel
- 12 Assembling the speaker

2 Connecting

- 13 Optional Equipment Connection
- 13 – AUX IN Connection
- 13 – PORT IN Connection
- 13 – Listening to music from your portable player or external device
- 14 – USB Connection

3 Operating

- 15 Basic Operations
- 15 – USB Operations
- 15 – Selecting a folder and an MP3/WMA file
- 16 Using BLUETOOTH® wireless technology
- 16 – Listening to music stored on the Bluetooth devices
- 19 Radio Operations
- 19 – Listening to the radio
- 19 – Improving poor FM reception
- 19 – Presetting the Radio Stations
- 19 – Deleting all the saved stations
- 20 Sound adjustment
- 20 – Setting the sound mode
- 21 Other Operations
- 21 – Turn off the sound temporarily
- 21 – Sleep Timer Setting
- 21 – Dimmer
- 21 – Auto power down
- 21 – Displaying file information (ID3 TAG)
- 22 – AUTO POWER On
- 22 – Auto function change
- 23 Setting the Clock
- 23 – Using your player as an alarm clock

4 Troubleshooting

24 Troubleshooting

5 Appendix

25 General specifications

26 Trademarks and Licenses

26 Maintenance

26 – Handling the Unit

1

2

3

4

5

Unique Features

1

BLUETOOTH®

Listens to music stored on your **Bluetooth** device.

Portable In

Listens to music from your portable device. (MP3, Notebook, etc.)

Playable file Requirement

Music file requirement

MP3/WMA file compatibility with this unit is limited as follows.

- Sampling frequency : within 32 to 48 kHz (MP3), within 32 to 48 kHz (WMA)
- Bit rate : within 32 to 320 kbps (MP3), 40 to 192 kbps (WMA)
- Maximum files : USB : 999
- Maximum folders : USB : 99
- File extensions : ".mp3"/ ".wma"
- Certain MP3/WMA files may not be played depending on the type or format of the file.

The DTS is not supported. In case of DTS audio format, audio is not output.

Compatible USB Devices

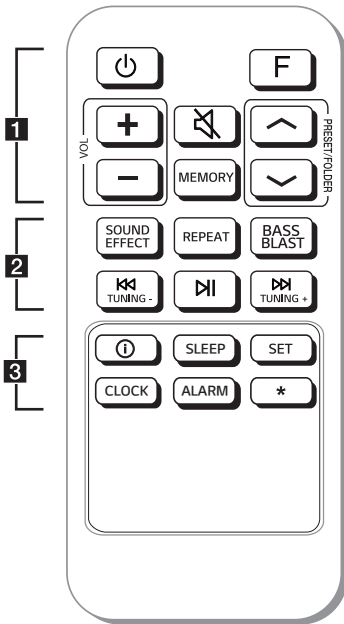
- MP3 Player : Flash type MP3 player.
- USB Flash Drive :
Devices that support USB2.0 or USB1.1.
- The USB function of this unit does not support all USB devices.

USB device requirement

- Devices which require additional program installation when you have connected it to a computer, are not supported.
- Do not extract the USB device while in operation.
- For a large capacity USB, it may take longer than a few minute to be searched.
- To prevent data loss, back up all data.
- If you use a USB extension cable or USB hub, the USB device is not recognized.
- Using NTFS file system is not supported. (Only FAT(16/ 32) file system is supported.)
- This unit recognizes up to 999 files.
- External HDD, Card readers, Locked devices, or hard type USB devices are not supported.
- USB port of the unit cannot be connected to PC. The unit cannot be used as a storage device.
- Some USB may not work with this unit.

Remote control

1 Getting Started



.....**1**.....
 ⏻ (Standby) : Turns the power on or off.

F (Function) : Selects the function and input source.

| Input source / Function | Display |
|-------------------------|---------|
| USB | USB |
| AUX input | AUX |
| Portable input | PORT |
| Bluetooth | BT |
| Radio | FM |

VOL (Volume) +/- : Adjusts speaker volume.

🔇 (Mute) : Mutes the sound.

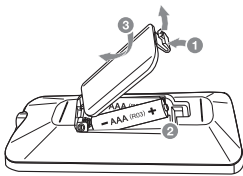
MEMORY :

- Stores radio stations. (Page 19.)
- Deletes all the saved stations.

PRESET/FOLDER ^/V :

- Chooses a preset number for a radio station.
- Searches for a folder of MP3/WMA files. When a USB containing MP3/WMA files in several folders is being played, press **PRESET/FOLDER ^/V** to select the folder you want to play.

Replacement of battery



Remove the battery cover on the rear of the remote control, and insert the battery with **+** and **-** matched correctly.

2

SOUND EFFECT : Chooses sound impressions.

REPEAT : Listens to your files repeatedly or randomly.

BASS BLAST : Press to select BASS effect directly.

TUNING-/+ : Selects the radio stations.

⏮ / ⏭ (Skip/Search)

- Skips backward or forward.
- Searches for a section within a file.

⏮ (Play/Pause)

- Starts or pauses playback.
- Selects stereo/mono.

3

i (Information) :

- Sees information about your music. An MP3 file often come with ID3 tag. The tag gives the Title, Artist, Album or Time information.
- Sees **Bluetooth** device name of the unit in BT READY.
- Sees the name of connected all **Bluetooth** device in **Bluetooth** mode.

SLEEP : Sets the system to turn off automatically at a specified time.

(Dimmer : The display window will be darkened by half.)

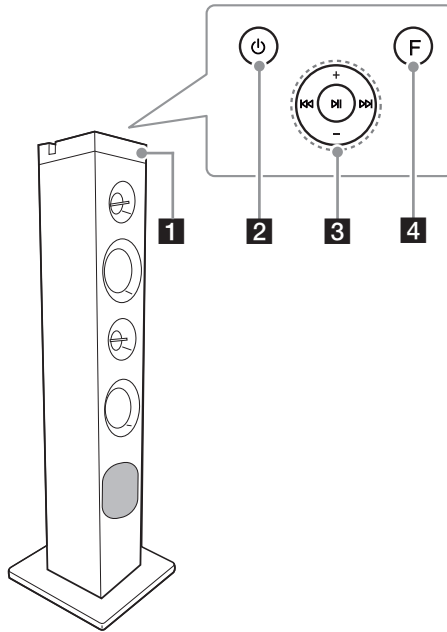
SET : Confirms the setting.

CLOCK : Sets a clock and checks a time.

ALARM : With the ALARM function you can turn on USB play and tuner reception at a desired time.

★ : This button is not available.

Top / Front panel



1 Display window

2 ⏻ (Standby)

Turns the power on or off.

3 ⏮/⏭ (Skip/Search)

- Skips backward or forward.
- Searches for a section within a file.
- Selects the radio stations.

⏩ (Play/Pause)

- Starts or pauses playback.
- Selects stereo/mono.

+/-

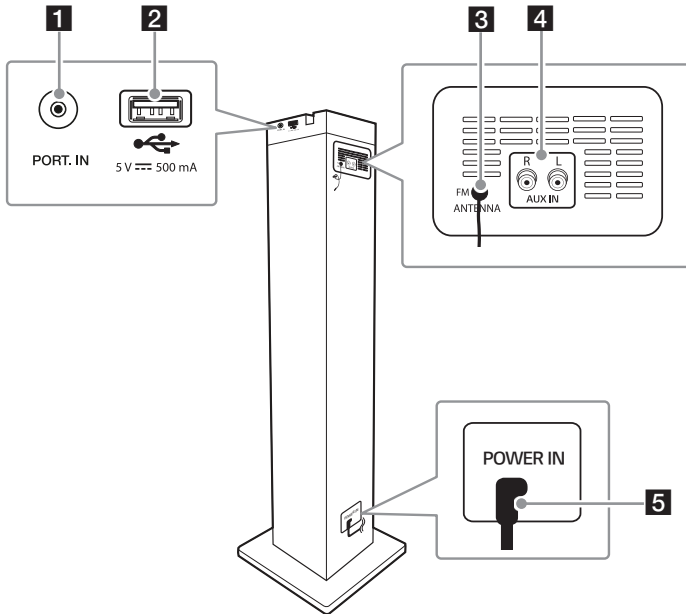
- Adjusts speaker volume.

4 F (Function)

Selects the function and input source.

| Input source / Function | Display |
|-------------------------|---------|
| USB | USB |
| AUX input | AUX |
| Portable input | PORT |
| Bluetooth | BT |
| Radio | FM |

Side / Rear panel



1 PORT. (Portable) IN jack

2 USB Port

You can play sound files by connecting the USB device.

3 FM ANTENNA

4 AUX IN (L/R)

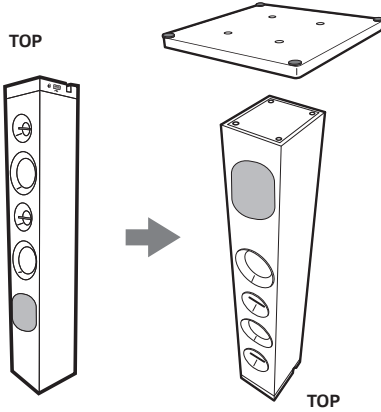
Connect an auxiliary device.

5 POWER IN

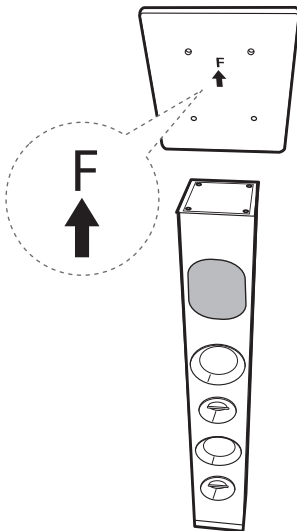
Assembling the speaker

Before connecting the speakers, assemble the speakers. Please check the items for assembling the speakers.

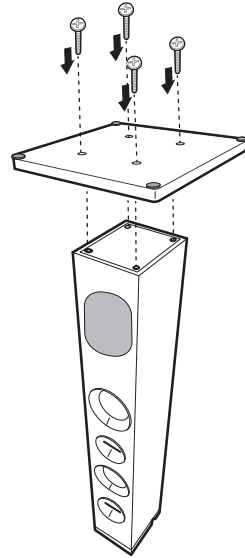
1. Put the speaker upside down to assemble the base.



2. Place an arrow of the base toward the speaker.

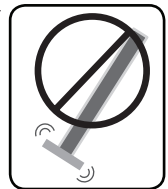


3. Tighten up with supplied screws.



Caution

- Be careful to make sure children do not put their hands or any objects into the *speaker duct.
* speaker duct : A hole for plentiful bass sound on speaker cabinet (enclosure)
- The speakers contain magnet parts, so color irregularity may occur on the TV screen or PC monitor screen. Please use the speakers far away from either TV screen or PC monitor.
- Be careful that the speaker does not fall down. Otherwise it may result in the speaker malfunction and cause personal injury and/ or property damage.
- Please be careful not to damage the top of unit when place the speaker upside down.

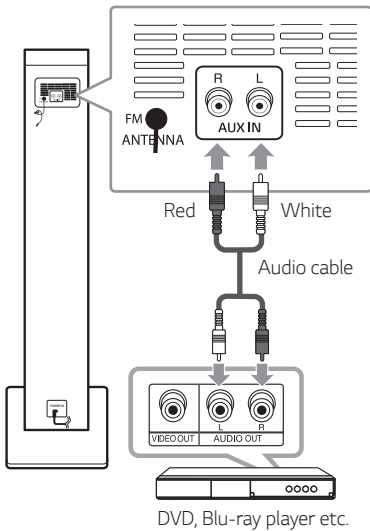


Optional Equipment Connection

AUX IN Connection

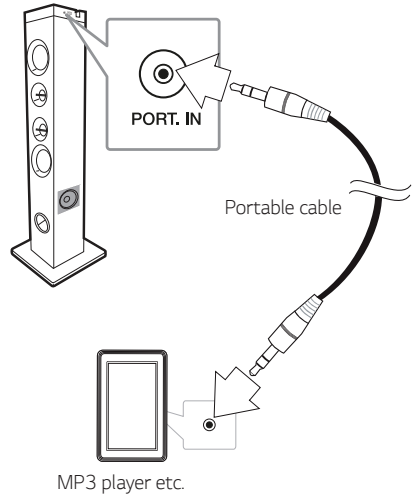
Connect an output of auxiliary device (Camcorder, TV, Player, etc) to the **AUX IN** (L/R) connector.

If your device has only one output for audio(mono), connect it to the left(white) audio jack on the unit.



PORT. IN Connection

Connect an output (earphone or line out) of portable device (MP3 or PMP etc) to the **PORT. IN** (3.5 mm) connector.




Listening to music from your portable player or external device

The unit can be used to play the music from many types of portable player or external device.

1. Connect the portable player to the **PORT. IN** connector of the unit.

Or

Connect the external device to the **AUX IN** connector of the unit.

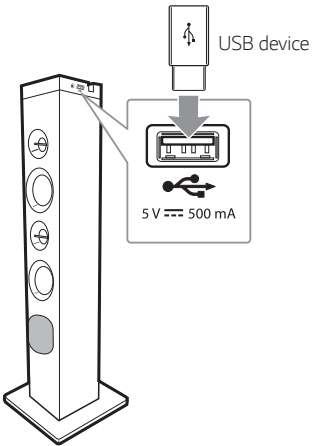
2. Turn the power on by pressing .
3. Press **F** to select AUX or PORT function.
4. Turn on the portable player or external device and start it playing.

Note

Automatically switches to the PORT function when you connect the portable device to the **PORT. IN** connector.

USB Connection

Connect a USB device (or MP3 player, etc.) to the USB port on the unit.



! Note

Removing the USB device from the unit :

1. Choose a different function/mode.
2. Remove the USB device from the unit.

Basic Operations

USB Operations

1. Connect the USB device to the USB port.
2. Select USB function by pressing F.

| To | Do this |
|---------------------------------------|--|
| Playback | Press ▶ . |
| Pause | Press ⏸ during playback. |
| Searching for a section within a file | Press and hold ⏮/⏭ during playback and release it at the point you want to listen to. |
| Skipping to the next/previous file | <ul style="list-style-type: none"> - In stop status, Press ⏮/⏭ to go to the next/previous track/file. - During playback, press ⏭ to go to the next track/file. Playing in less than 3 seconds, press ⏮ to go to the previous track/file. Playing after 3 seconds, press ⏮ to go to the beginning of the track/file. |
| Playing repeatedly or randomly | Press REPEAT on the remote control repeatedly, the display will be changed in the following order. ONE -> ALL -> SHUFFLE -> OFF |

! Caution

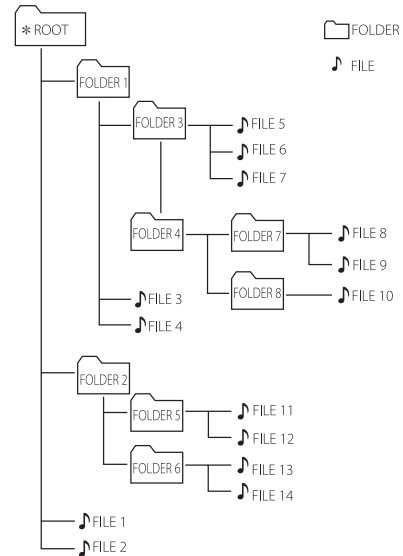
- Do not extract the USB device during operation. (play, etc.)
- Regular back up is recommended to prevent data loss.

Selecting a folder and an MP3/WMA file

1. Press **PRESET/FOLDER ^/V** repeatedly on the remote control until a desired folder appears.
2. Press **▶|**.
The first file of folder will be played.

! Note

- USB Files are recognized as below.



- Folders will be presented as the following order,
 ROOT → FOLDER 1 → FOLDER 3 → FOLDER 7 → FOLDER 8 → FOLDER 5 → FOLDER 6
- File will be played from **♪** file No.1 to **♪** file No.14 one by one.
- Files will be presented in order recorded and may be presented differently according to the record circumstances.

*ROOT : the first screen you can see when a computer recognize the USB is "ROOT"

Using BLUETOOTH® wireless technology

About Bluetooth

Bluetooth is wireless communication technology for short range connection.

The sound may be interrupted when the connection interfered by the other electronic wave or you connect the **Bluetooth** in the other rooms.

Connecting individual devices under **Bluetooth** wireless technology does not incur any charges. A mobile phone with **Bluetooth** wireless technology can be operated via the Cascade if the connection was made via **Bluetooth** wireless technology.

- Available Devices : Smart phone, MP3, Notebook, etc.
- Version : 4.0
- Codec : SBC

Bluetooth Profiles

In order to use **Bluetooth** wireless technology, devices must be able to interpret certain profiles. This unit is compatible with following profile.

A2DP (Advanced Audio Distribution Profile)

Listening to music stored on the Bluetooth devices

Pairing your unit and Bluetooth device

Before you start the pairing procedure, make sure the **Bluetooth** feature is activated on your **Bluetooth** device. Refer to your **Bluetooth** device's user guide. Once a pairing operation is performed, it does not need to be performed again.

1. Turn on the unit.

Note

When Bluetooth connection lock is activated, you can search **Bluetooth** device in BT function.

2. Operate the **Bluetooth** device and perform the pairing operation. When searching for this unit with the **Bluetooth** device, a list of the devices found may appear in the **Bluetooth** device display depending on the type of **Bluetooth** device. Your unit appears as "LG RK1(XX)".

Note

- XX means the last two digits of **Bluetooth** address. For example, if your unit has a **Bluetooth** address such as 9C:02:98:4A:F7:08, you will see "LG RK1(08)" on your **Bluetooth** device.
- Depending on the **Bluetooth** device type, some devices may have a different pairing process. Enter the PIN code (0000) as needed.
- You can connect this unit with up to 2 **Bluetooth** phones simultaneously using the same method as described above, only in the **Bluetooth** function.
- The multi phone pairing connection is only supported on Android phone. (Multi pairing connection may not be supported depending on the connected phone specifications.)
- During multi phone pairing connection, phones are muted.

3. When this unit is successfully connected with your **Bluetooth** device, "PAIRED" appears on the display window and change to **Bluetooth** device name soon. Then "BT" will appear on the display window.

Note

- "PAIRED" will momentarily appear on the display when you connect other devices for multi pairing.
- If the device name is unavailable, "-" will be displayed.

4. Listen to music.
To play a music stored on your **Bluetooth** device, refer to your **Bluetooth** device's user guide.

Note

- When using **Bluetooth** technology, you have to make a connection between the unit and the **Bluetooth** device as close as possible and keep the distance.
However, it may not work well in certain situations as described below :
 - There is an obstacle between the unit and the **Bluetooth** device.
 - There is a device using same frequency with **Bluetooth** technology such as a medical equipment, a microwave or a wireless LAN device.
- You should connect your **Bluetooth** device to this unit again when you restart it.
- Even if this unit connected up to 2 **Bluetooth** devices in the **Bluetooth** mode, you can play and control music by using only one of the connected devices.

Bluetooth connection lock (BT LOCK)

You can limit **Bluetooth** connection to only BT (**Bluetooth**) function to prevent unintended **Bluetooth** connection.

To turn on this function, press and hold **BT** for about 5 seconds in BT (**Bluetooth**) function. "BT LOCK" appears then you can limit **Bluetooth** connection.

To turn off this function, press and hold **BT** for about 5 seconds in BT (**Bluetooth**) function. "BT UNLOCK" appears.

 **Note**

- The sound may be interrupted when the connection has interference from other electronic devices.
- Depending on the type of the device, you may not be able to use the **Bluetooth** function.
- You can enjoy wireless system using phone, MP3, Notebook, etc.
- The more distance between the unit and the **Bluetooth** device, the lower the sound quality becomes.
- **Bluetooth** connection will be disconnected when the unit is turned off or the **Bluetooth** device gets far from the unit.
- When **Bluetooth** connection is disconnected, connect the **Bluetooth** device to the unit again.
- When a **Bluetooth** device is not connected, "READY" appears on the display window.
- When you use the **Bluetooth** function, adjust the volume to a proper level on the **Bluetooth** device.
- When you connect **Bluetooth** device (iOS device etc.) to this unit or operate the device, the volume level can be synchronized with each other.
- When entering **Bluetooth** function, this unit automatically connect to **Bluetooth** device which is connected the last or played the last. (Auto connection may not be supported depending on the connected device specifications.)

Radio Operations

Be sure to fully extend the FM wire antenna.

Listening to the radio

1. Press **F** until FM appears in the display window. The last received station is tuned in.
2. Auto tuning :
Press and hold **TUNING-/+** on the remote control or **⏮/⏭** on the unit for about two seconds until the frequency indication starts to change, then release. Scanning stops when the unit tunes in a station.

Or
Manual tuning :
Press **TUNING-/+** on the remote control or **⏮/⏭** on the unit repeatedly.
3. Adjust the volume by pressing **VOL +/-** on the remote control or pressing **+/-** on the unit repeatedly.

Improving poor FM reception

Press **⏮**. This will change the tuner from stereo to mono and usually improve the reception.

Presetting the Radio Stations

You can preset 50 stations for FM.

Before tuning, make sure to turn down the volume.

1. Press **F** until FM appears in the display window.
2. Select the desired frequency by pressing **TUNING -/+** on the remote control or **⏮/⏭** on the unit.
3. Press **MEMORY** on the remote control. A preset number will blink in the display window.
4. Press **PRESET/FOLDER ^/V** on the remote control to select the preset number you want.
5. Press **MEMORY** on the remote control. The station is stored.
6. Repeat steps 2 to 5 to store other stations.
7. To listen a preset station, press **PRESET/FOLDER ^/V** on the remote control.

Deleting all the saved stations

1. Press and hold **MEMORY** on the remote control for three seconds. "DEL", "ALL" will flash up alternately on the unit display.
2. Press **MEMORY** on the remote control to erase all the saved radio stations.

Sound adjustment

Setting the sound mode

This system has a number of pre-set surround sound fields. The displayed items for the equalizer may be different depending on sound sources and effects.

You can select a desired sound mode by using **SOUND EFFECT** on the remote control.

| On Display | Description |
|--------------------------------|---|
| BASS (BASS BLAST) | Reinforces the treble, bass and surround sound effect. |
| POP CLASSIC ROCK JAZZ | This program lends an enthusiastic atmosphere to the sound, giving you the feeling you are at an actual rock, pop, jazz or classic concert. |
| STANDARD | You can enjoy optimized sound. |





Note


You can directly select BASS (BASS BLAST) effect by pressing **BASS BLAST**.

Other Operations

Turn off the sound temporarily

Press  on the remote control to mute your sound.

You can mute your unit, for example, to answer the telephone, the “” will blink in the display window.

To cancel it, press  on the remote control again or change the volume level.

Sleep Timer Setting

Press **SLEEP** on the remote control repeatedly to select delay time between 10 and 180 minutes. After the delay time, the unit will be turned off.

To cancel the sleep function, press **SLEEP** on the remote control repeatedly until “10” appears, and then press **SLEEP** on the remote control once again while “10” is displayed.

Note

You can check the remaining time before the unit is turned off. Press **SLEEP** on the remote control to check or change the remaining time.

Dimmer

Press **SLEEP** on the remote control once. The display window will be darkened by half.

To cancel it, press **SLEEP** on the remote control repeatedly until dim off.


Auto power down

This unit will turn itself off to save electricity in the case where the main unit is not connected to an external device and is not used for 15 minutes. The unit will also turn itself off after six hours if the main unit has been connected to another device using the analog inputs.

How to disconnect the wireless network connection or the wireless device

Turn off the unit by pressing the power button for more than 5 seconds.

Displaying file information (ID3 TAG)

While playing an MP3 file containing file information, you can display the information by pressing  on the remote control.

AUTO POWER On

This unit automatically turns on by an input source : **Bluetooth**

If you try to connect your **Bluetooth** device, this unit turns on and connects your **Bluetooth** device. You can play your music.

! Note

- Depending on the connected device, this function may not operate.
- Depending on the connected device, the unit turns on but **Bluetooth** function may not be connected.
- If you disconnect **Bluetooth** connection by this unit, some **Bluetooth** devices try to connect to the unit continually. Therefore it is recommended to disconnect the connection before turning off the unit.
- If you turn on the unit using **Bluetooth** function, proper function of this unit is turned on.
- If you have already paired with this unit, automatically this unit can turn on by an input source when this unit is turned off.
- If you turn off the unit by pressing the power button for more than 5 seconds, Auto Power On function is disabled. To activate it, turn on the unit.

Auto function change

This unit recognizes input signals such as **Bluetooth** or connected portable device, and then changes suitable function automatically.

When you try to connect Bluetooth device

When you try to connect your **Bluetooth** device to this unit, **Bluetooth** function is selected. Play your music on the **Bluetooth** device.

When 3.5 mm stereo cable is connected

When you connect the portable device to the **PORT. IN** connector, **PORTABLE** function is selected. Play your music on the portable device.

! Note

- This function only works with devices that were previously connected.
- If the **Bluetooth** connection lock function is set, **Bluetooth** connection will be only available on **Bluetooth** function.

Setting the Clock

1. Turn the unit on.
2. Press and hold **CLOCK** on the remote control.
3. Select time mode by pressing **⏪ / ⏩** on the remote control.
- AM 12:00 (for an A and P display) or 0:00 (for a 24 hour display).
4. Press **SET** on the remote control to confirm your selection
5. Select the hours by pressing **⏪ / ⏩** on the remote control.
6. Press **SET** on the remote control.
7. Select the minutes by pressing **⏪ / ⏩** on the remote control.
8. Press **SET** on the remote control.

Using your player as an alarm clock

1. Turn the unit on.
2. Press and hold **ALARM** on the remote control.
3. Press **⏪ / ⏩** on the remote control to change the hours and minutes and Press **SET** on the remote control to save.
4. Press **⏪ / ⏩** on the remote control to select function and Press **SET** on the remote control to save.
-Press **⏪ / ⏩** on the remote control to select a preset number when you select tuner and then, press on the remote control.
If there is no preset number, this step is skipped.
5. Press **⏪ / ⏩** on the remote control to change the volume and Press **SET** on the remote control to save.

! Note

- If you set the clock time, you can check the time by pressing **CLOCK** on the remote control even when the player is turned off.
- You can set alarm after you set the clock time.
- If you set the clock time and alarm, you can check the alarm setting information by pressing **ALARM** on the remote control even when the unit is turned off.
- You can select ALARM ON/OFF mode by pressing **ALARM** on the remote control.

Troubleshooting


| Problem | Cause & Solution |
|--|--|
| The unit does not work properly | <ul style="list-style-type: none"> • Turn off the power of this unit and the connected external device (TV, Woofer, DVD-player, Amplifier, etc.) and turn them on again. • Disconnect the power cord of this unit and the connected external device (TV, Woofer, DVD-player, Amplifier, etc.) and then try connecting again. • Previous setting may not be saved when device power is shut off. |
| No Power | <ul style="list-style-type: none"> • The power cord is not plugged in. Plug in the power cord. • Check whether electricity failed. Check the condition by operating other electronic devices. |
| No sound | <ul style="list-style-type: none"> • Check whether you select right function. Press function button and check the selected function. |
| Radio stations cannot be tuned in properly | <ul style="list-style-type: none"> • The signal strength of the radio station is too weak. Tune to the station manually. • No stations have been preset or preset stations have been cleared (when tuning by scanning preset channels). Preset some radio stations, see page 19 for details. |
| The remote control does not work properly | <ul style="list-style-type: none"> • The remote control is too far from the unit. Operate the remote control within about 7 m (23 feet). • There is an obstacle in the path of the remote control and the unit. Remove the obstacle. • The batteries in the remote control are exhausted. Replace the batteries with new ones. |

General specifications

| General | |
|------------------------|--|
| Power requirements | Refer to the main label on the unit. |
| Power consumption | Refer to the main label on the unit. |
| | Networked standby : 0.5 W (If all network ports are activated.) |
| Dimensions (W x H x D) | Approx. 136 mm x 962 mm x 164 mm |
| Operating temperature | 15 °C to 35 °C |
| Operating humidity | 60 % |

| Inputs | |
|--------------------------|--|
| Analog audio in (AUX IN) | 0.6 Vrms (1 kHz, 0 dB), 600 Ω , RCA jack (L, R) . |
| Portable in (PORT. IN) | 0.4 Vrms (3.5 mm stereo jack) x 1 |

| Tuner | |
|-----------------|--|
| FM Tuning Range | 87.5 to 108.0 MHz or 87.50 to 108.00 MHz |

| System | |
|------------------------|--|
| Frequency Response | 40 to 20,000 Hz |
| Signal-to-noise ratio | More than 75 dB |
| Dynamic range | More than 80 dB |
| Bus Power Supply (USB) | 5 V  500 mA |

| Amplifier (RMS Output power) | |
|------------------------------|--|
| Total output | 100 W RMS |
| Front | 25 W RMS X 2 (4 Ω at 1 kHz, 10 % THD) |
| Subwoofer | 50 W RMS X 1 (6 Ω at 1 kHz, 10 % THD) |

- Design and specifications are subject to change without notice.

Trademarks and Licenses



The **Bluetooth**® word mark and logos are owned by the **Bluetooth**® SIG, Inc. and any use of such marks by LG Electronics is under license.

Other trademarks and trade names are those of their respective owners.

Maintenance

Handling the Unit

When shipping the unit

Please save the original shipping carton and packing materials. If you need to ship the unit, for maximum protection, re-pack the unit as it was originally packed at the factory.

Keeping the exterior surfaces clean

Do not use volatile liquids such as insecticide spray near the unit. Wiping with strong pressure may damage the surface. Do not leave rubber or plastic products in contact with the unit for a long period of time.

Cleaning the unit

To clean the player, use a soft, dry cloth. If the surfaces are extremely dirty, use a soft cloth lightly moistened with a mild detergent solution. Do not use strong solvents such as alcohol, benzene, or thinner, as these might damage the surface of the unit.

