



**ENGLISH Easy Setup Guide**

Please read this manual carefully before operating your set and retain it for future reference.

**ESPAÑOL Guía Rápida de Configuración**

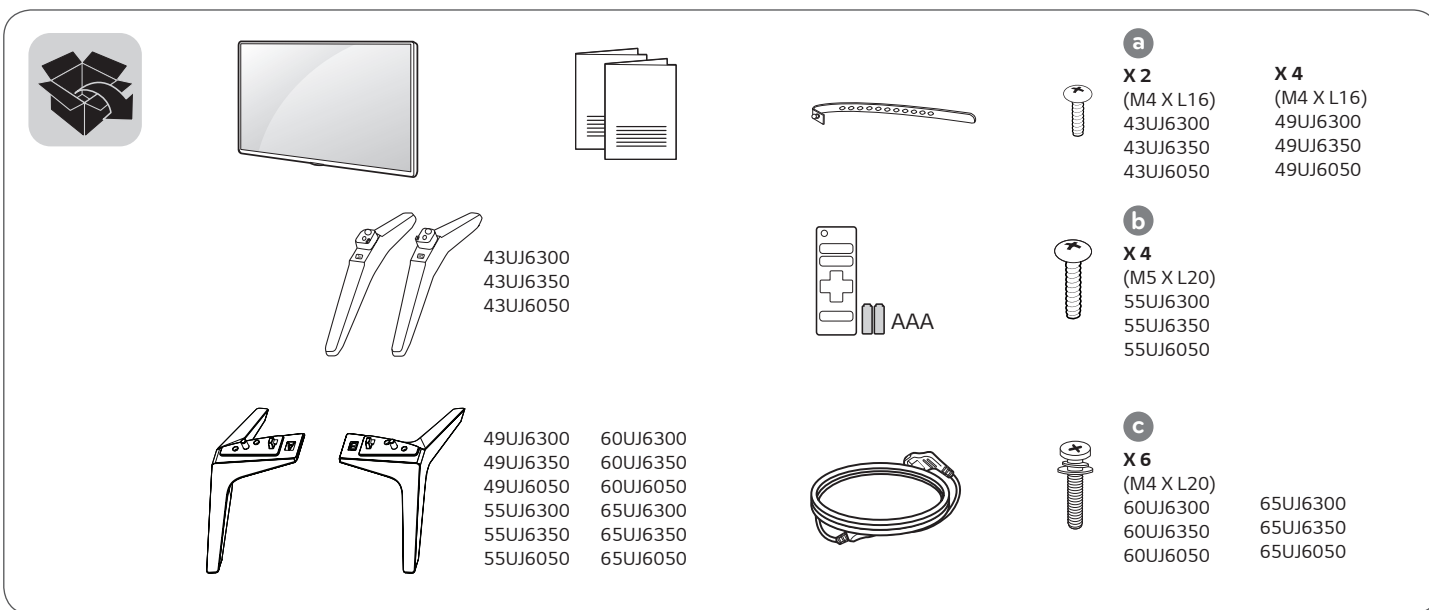
Lea atentamente este manual antes de poner en marcha el equipo y consérvelo para futuras consultas.

**FRANÇAIS Guide de configuration rapide**

Avant d'utiliser l'appareil, veuillez lire attentivement ce manuel et le conserver pour pouvoir vous y reporter ultérieurement.

**LED TV**

43UJ6300	43UJ6350	43UJ6050
49UJ6300	49UJ6350	49UJ6050
55UJ6300	55UJ6350	55UJ6050
60UJ6300	60UJ6350	60UJ6050
65UJ6300	65UJ6350	65UJ6050

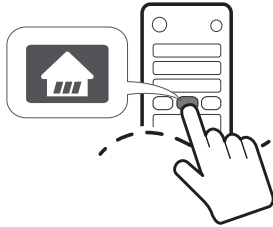


www.lg.com

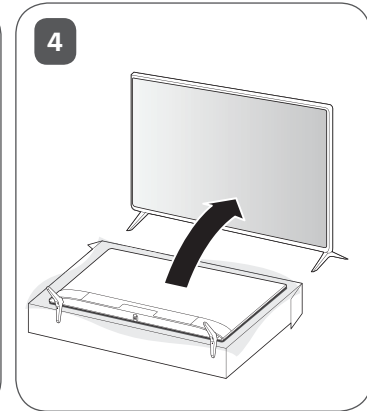
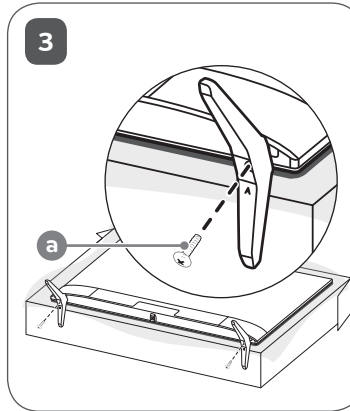
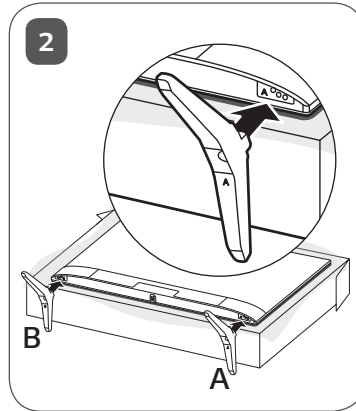
P/No: MFL69673502 (1702-REV01)



**ENGLISH** Read Safety and Reference.  
**ESPAÑOL** Leer Seguridad y Consultas.  
**FRANÇAIS** Lisez Sécurité et références.

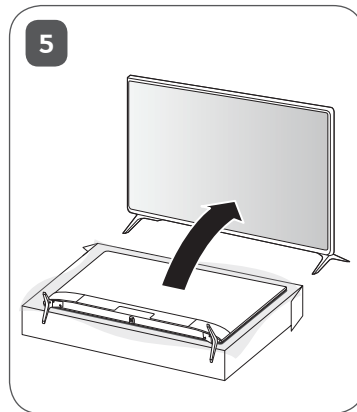
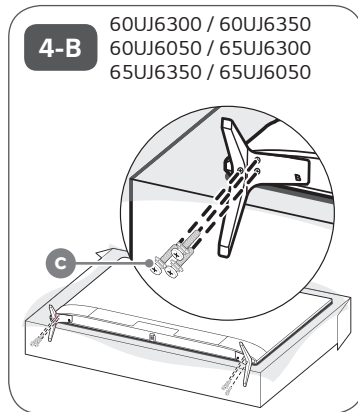
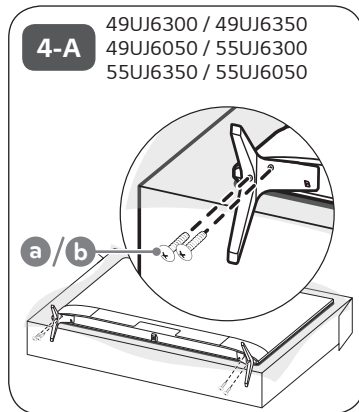
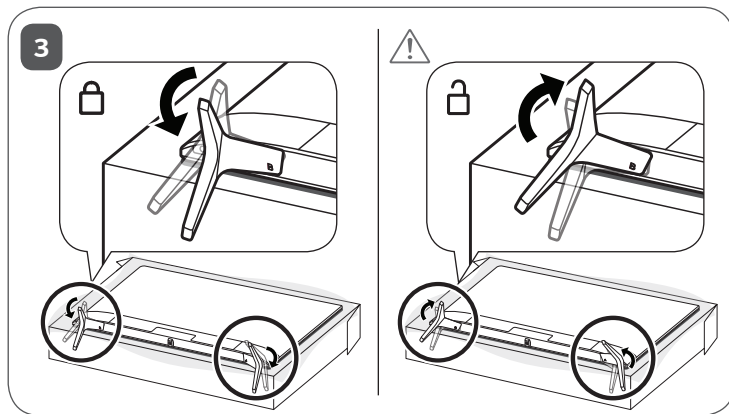
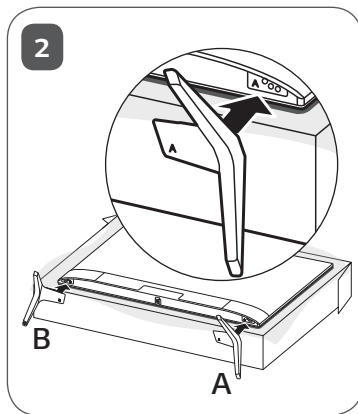


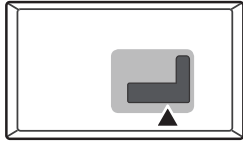
43UJ6300  
43UJ6350  
43UJ6050





49UJ6300 / 55UJ6300 / 60UJ6300 / 65UJ6300  
49UJ6350 / 55UJ6350 / 60UJ6350 / 65UJ6350  
49UJ6050 / 55UJ6050 / 60UJ6050 / 65UJ6050





[www.lg.com/us/support](http://www.lg.com/us/support)

**ENGLISH**

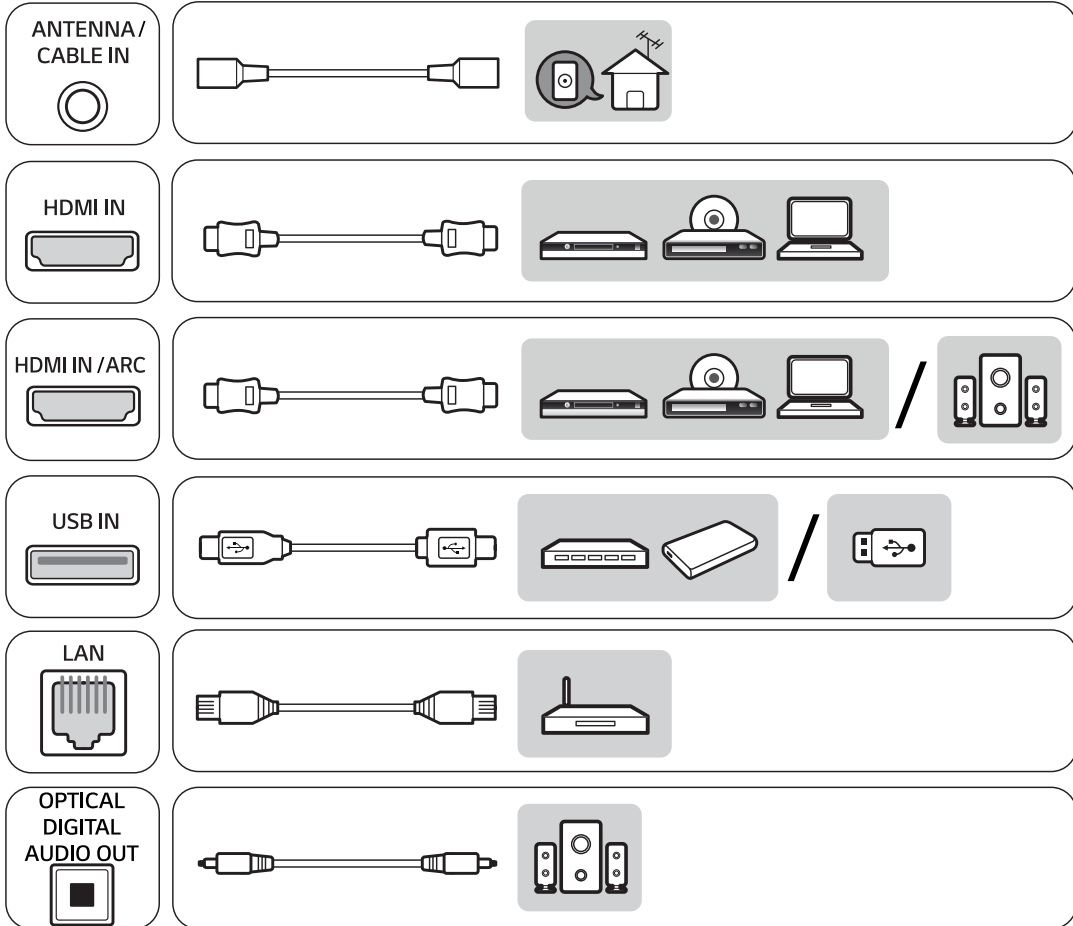
Easy TV Connect Guide (Animation)

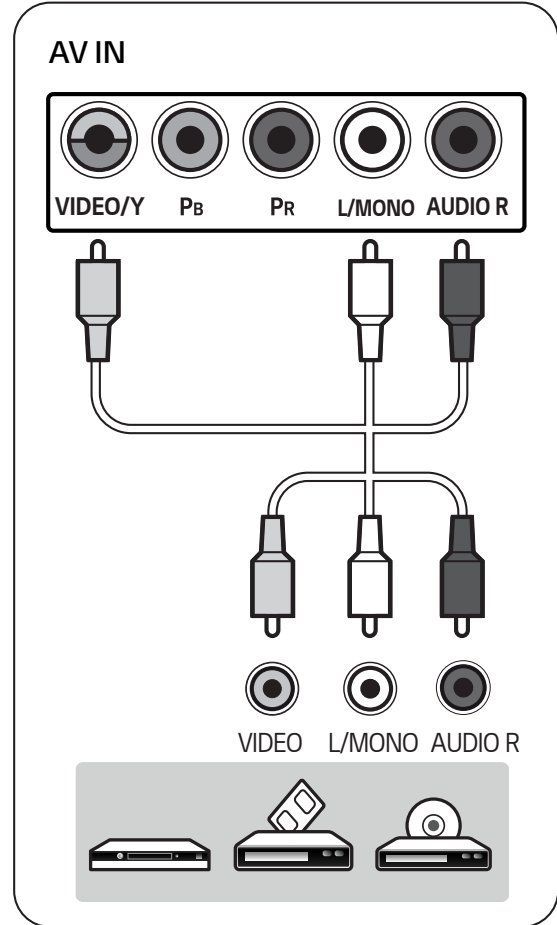
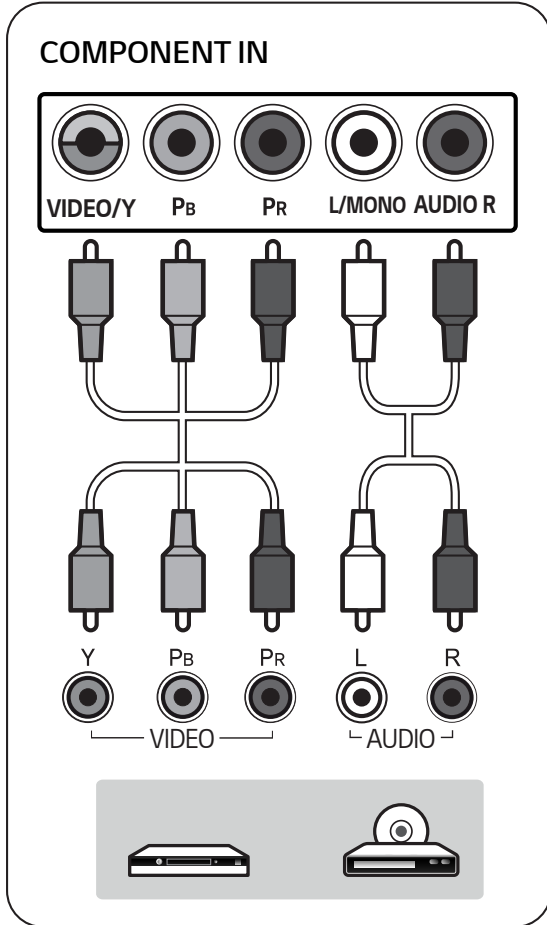
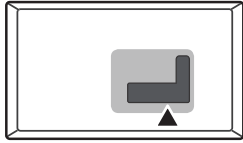
**ESPAÑOL**

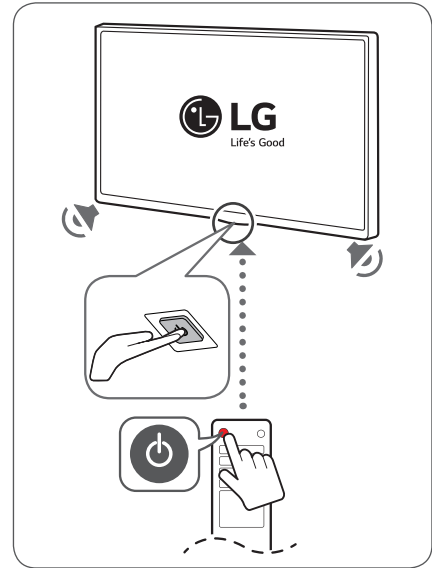
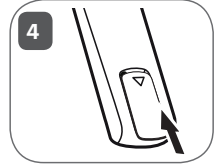
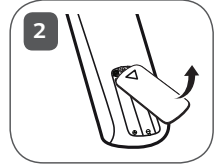
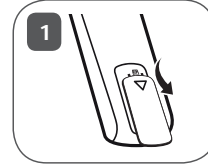
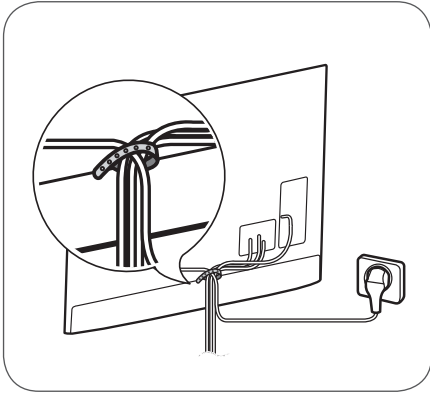
Guía Rápida de Conexión del televisor  
(Sólo en Inglés)

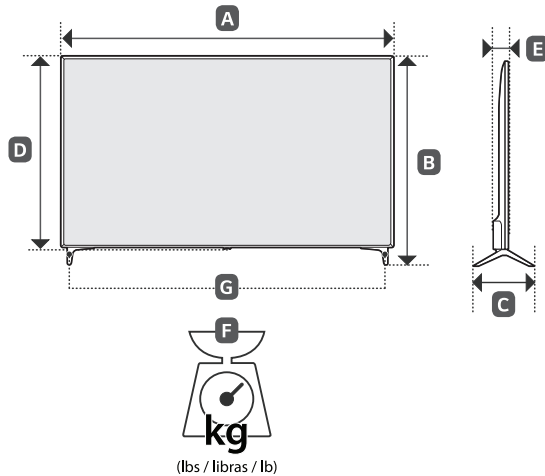
**FRANÇAIS**

Guide simplifié pour la connexion du  
téléviseur  
(Offert en anglais seulement)



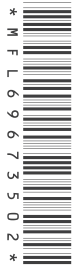






**A, B, C, D, E** : mm (inches / pulgadas / po)  
**F, G** : kg (lbs / libras / lb)

MODELS	A		B		C		D		E		F		F - G		Current value / Power consumption	
MODELOS	A		B		C		D		E		F		F - G		Corriente de consumo / Consumo de potencia	
MODÈLES	A		B		C		D		E		F		F - G		Valeur courante / Consommation électrique	
<b>43UJ6300-UA</b> <b>43UJ6350-UC</b> <b>43UJ6050-UC</b>	977 (38.4)	977 (38,4)	615 (24.2)	615 (24,2)	187 (7.3)	187 (7,3)	575 (22.6)	575 (22,6)	80.8 (3.1)	80,8 (3,1)	8.4 (18.5)	8,4 (18,5)	8.3 (18.2)	8,3 (18,2)	1.0 A / 100 W	1,0 A / 100 W
<b>49UJ6300-UA</b> <b>49UJ6350-UC</b> <b>49UJ6050-UC</b>	1,110 (43.7)	1 110 (43,7)	705 (27.7)	705 (27,7)	235 (9.2)	235 (9,2)	650 (25.5)	650 (25,5)	81.1 (3.1)	81,1 (3,1)	11.4 (25.1)	11,4 (25,1)	11.3 (24.9)	11,3 (24,9)	1.2 A / 120 W	1,2 A / 120 W
<b>55UJ6300-UA</b> <b>55UJ6350-UC</b> <b>55UJ6050-UC</b>	1,249 (49.1)	1 249 (49,1)	785 (30.9)	785 (30,9)	235 (9.2)	235 (9,2)	730 (28.7)	730 (28,7)	83.4 (3.2)	83,4 (3,2)	14.3 (31.5)	14,3 (31,5)	14.2 (31.3)	14,2 (31,3)	1.55 A / 155 W	1,55 A / 155 W
<b>Power requirement / Alimentación requerida/ Alimentation</b>									AC 100 - 240 V ~ 50 / 60 Hz							



For series of UJ6300 / UJ6050  
 Pour série UJ6300 / UJ6050



(For USA and Canada only)  
 (Para Estados Unidos y Canadá)

This product qualifies for ENERGY STAR® in the factory default (Home configuration) setting. Changing the factory default settings or enabling other features may increase power consumption that could exceed the limits necessary to qualify for ENERGY STAR®. Refer to ENERGYSTAR.gov for more information on the ENERGY STAR® program.

Para series UJ6300 / UJ6050



(Pour les États-Unis et le Canada)  
 Ce produit est conforme aux normes ENERGY STAR® lorsque le réglage d'usine par défaut (Résidentiel) est sélectionné.

Modifier les réglages d'usine par défaut ou activer d'autres fonctionnalités augmente la consommation d'énergie qui pourrait alors dépasser les limites de la qualification ENERGY STAR®. Consultez le site ENERGYSTAR.gov pour en savoir plus au sujet du programme ENERGY STAR®.



**A, B, C, D, E** : mm (inches / pulgadas / po)  
**F, G** : kg (lbs / libras / lb)

MODELS	A		B		C		D		E		F		F - G		Current value / Power consumption	
MODELOS	A		B		C		D		E		F		F - G		Corriente de consumo / Consumo de potencia	
MODÈLES	A		B		C		D		E		F		F - G		Valeur courante / Consommation électrique	
60UJ6300-UA 60UJ6350-UC 60UJ6050-UC	1,359 (53.5)	1 359 (53,5)	852 (33.5)	852 (33,5)	255 (10.0)	255 (10,0)	791 (31.1)	791 (31,1)	82.9 (3.2)	82,9 (3,2)	17.6 (38.8)	17,6 (38,8)	17.4 (38.3)	17,4 (38,3)	1.85 A / 185 W	1,85 A / 185 W
65UJ6300-UA 65UJ6350-UC 65UJ6050-UC	1,471 (57.9)	1 471 (57,9)	915 (36.0)	915 (36,0)	255 (10.0)	255 (10,0)	855 (33.6)	855 (33,6)	83.4 (3.2)	83,4 (3,2)	22.5 (49.6)	22,5 (49,6)	22.3 (49.1)	22,3 (49,1)	2.0 A / 200 W	2,0 A / 200 W
Power requirement / Alimentación requerida/ Alimentation									AC 100 - 240 V ~ 50 / 60 Hz							



# OWNER'S MANUAL

## Safety and Reference

LED TV\*

\* LG LED TVs are LCD TVs with LED backlighting.

Please read this manual carefully before operating your TV and retain it for future reference.

43UJ6300	49UJ6300	55UJ6300	60UJ6300	65UJ6300
43UJ6050	49UJ6050	55UJ6050	60UJ6050	65UJ6050
43UJ6350	49UJ6350	55UJ6350	60UJ6350	65UJ6350

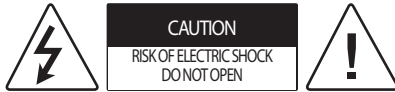


[www.lg.com](http://www.lg.com)


P/No : MFL69673604 (1702-REV00)


## Warning! Important Safety instructions

Read these instructions. Keep these instructions. Heed all warnings. Follow all instructions.



**CAUTION : TO REDUCE THE RISK OF ELECTRIC SHOCK DO NOT REMOVE COVER (OR BACK). NO USER SERVICEABLE PARTS INSIDE. REFER TO QUALIFIED SERVICE PERSONNEL.**

 The symbol is intended to alert the user to the presence of uninsulated dangerous voltage within the product's enclosure that may be of sufficient magnitude to constitute a risk of electric shock to persons.

 The symbol is intended to alert the user to the presence of important operating and maintenance (servicing) instructions in the literature accompanying the device.

**WARNING : TO REDUCE THE RISK OF FIRE AND ELECTRIC SHOCK, DO NOT EXPOSE THIS PRODUCT TO RAIN OR MOISTURE.**

- Do not use this apparatus near water.
- Clean only with dry cloth.
- Do not block any ventilation openings. Install in accordance with the manufacturer's instructions.
- Do not install near any heat sources such as radiators, heat registers, stoves, or other apparatus (including amplifiers) that produce heat.
- Do not defeat the safety purpose of the polarized or grounding-type plug. A polarized plug has two blades with one wider than the other. A grounding type plug has two blades and a third grounding prong. The wide blade or the third prong are provided for your safety. If the provided plug does not fit into your outlet, consult an electrician for replacement of the obsolete outlet.

- Protect the power cord from being walked on or pinched particularly at plugs, convenience receptacles, and the point where they exit from the apparatus.
- Only use attachments/accessories specified by the manufacturer.
- Use only with the cart, stand, tripod, bracket, or table specified by the manufacturer, or sold with the apparatus. When a cart is used, use caution when moving the cart/apparatus combination to avoid injury from tip-over.



- Unplug this apparatus during lightning storms or when unused for long periods of time.
- Refer all servicing to qualified service personnel. Servicing is required when the apparatus has been damaged in any way, such as power-supply cord or plug is damaged, liquid has been spilled or objects have fallen into the apparatus, the apparatus has been exposed to rain or moisture, does not operate normally, or has been dropped.
- Do not press strongly upon the panel with a hand or a sharp object such as a nail, pencil, or pen, or make a scratch on it.
- Do not stick metal objects or any other conductive material into the power cord. Do not touch the end of the power cord while it is plugged in.
- Keep the packing anti-moisture material or vinyl packing out of the reach of children. Anti-moisture material is harmful if swallowed. If swallowed, induce vomiting and go to the nearest hospital. Additionally, vinyl packing can cause suffocation. Keep it out of the reach of children.

ENGLISH

- Concerning the Power Cord (Can differ by country):  
Check the specification page of this owner's manual to be certain concerning current requirements. Do not connect too many devices to the same AC power outlet as this could result in fire or electric shock. Do not overload wall outlets. Overloaded wall outlets, loose or damaged wall outlets, extension cords, frayed power cords, or damaged or cracked wire insulation are dangerous. Any of these conditions could result in electric shock or fire. Periodically examine the cord of your device, and if its appearance indicates damage or deterioration, unplug it, discontinue use of the device, and have the cord replaced with an exact replacement part by an authorized servicer. Protect the power cord from physical or mechanical abuse, such as being twisted, kinked, pinched, closed in a door, or walked upon. Pay particular attention to plugs, wall outlets, and the point where the cord exits the device. Do not move the TV with the power cord plugged in. Do not use a damaged or loose power cord. Be sure do grasp the plug when unplugging the power cord. Do not pull on the power cord to unplug the TV.
- To reduce the risk of fire or electrical shock, do not expose this product to rain, moisture or other liquids. Do not touch the TV with wet hands. Do not install this product near flammable objects such as gasoline or candles, or expose the TV to direct air conditioning.
- Do not use high voltage electrical equipment near the TV (e.g., a bug zapper). This may result in product malfunction.
- Do not expose to dripping or splashing and do not place objects filled with liquids, such as vases, cups, etc. on or over the apparatus (e.g., on shelves above the unit).
- **Grounding**  
(Except for devices which are not grounded.)  
Ensure that you connect the earth ground wire to prevent possible electric shock (i.e., a TV with a three-prong grounded AC plug must be connected to a three-prong grounded AC outlet). If grounding methods are not possible, have a qualified electrician install a separate circuit breaker. Do not try to ground the unit by connecting it to telephone wires, lightning rods, or gas pipes.
- As long as this unit is connected to the AC wall outlet, it is not disconnected from the AC power source even if the unit is turned off.
- Do not attempt to modify this product in any way without written authorization from LG Electronics. Unauthorized modification could void the user's authority to operate this product.
- **Outdoor Antenna Grounding**  
(Can differ by country):  
If an outdoor antenna is installed, follow the precautions below. An outdoor antenna system should not be located in the vicinity of overhead power lines or other electric light or power circuits, or where it can come in contact with such power lines or circuits as death or serious injury can occur. Be sure the antenna system is grounded to provide some protection against voltage surges and built-up static charges. Section 810 of the National Electrical Code (NEC) in the U.S.A. provides information with respect to proper grounding of the mast and supporting structure, grounding of the lead-in wire to an antenna discharge unit, size of grounding conductors, location of antenna discharge unit, connection to grounding electrodes and requirements for the grounding electrode.  
**Antenna grounding according to the National Electrical Code, ANSI/NFPA 70**
- **Moving**  
Make sure the product is turned off, unplugged, and all cables have been removed. It may take 2 or more people to carry larger TVs. Do not press or put stress on the front panel of the TV.
- **Ventilation**  
Install your TV where there is proper ventilation. Do not install in a confined space such as a bookcase. Do not cover the product with cloth or other materials while plugged. Do not install in excessively dusty places.
- Take care not to touch the ventilation openings. When watching the TV for a long period, the ventilation openings may become hot. This does not affect the performance of the product or cause defects in the product.
- If you smell smoke or other odors coming from the TV, unplug the power cord and contact an authorized service center.
- If water or another substance enters the product (like an AC adapter, power cord, or TV), disconnect the power cord and contact the service center immediately. Otherwise, this may result in fire or electric shock.
- Do not install this product on a wall if it could be exposed to oil or oil mist. This may damage the product and cause it to fall.

- Use only an authorized AC adapter and power cord approved by LG Electronics. Otherwise, this may result in fire, electric shock, malfunction, or product deformation.
- Never disassemble the AC adapter or power cord. This may result in fire or electric shock.
- Handle the adapter carefully to avoid dropping or striking it. An impact could damage the adapter.
- Keep the product away from direct sunlight.
- Never touch this apparatus or antenna during a lightning storm.
- When mounting a TV on the wall, make sure not to install the TV by hanging the power and signal cables on the back of the TV.
- Do not allow an impact shock, any objects to fall into the product, and do not drop anything onto the screen.
- **DISCONNECTING THE DEVICE FROM THE MAIN POWER**

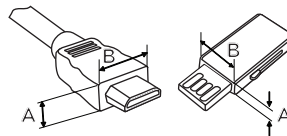
The power plug is the disconnecting device. In case of an emergency, the power plug must remain readily accessible.

- Make sure the power cord is connected securely to the power plug on the TV.
- **Batteries**  
Store the accessories (battery, etc.) in a safe location out of the reach of children.
- This apparatus uses batteries. In your community there might be regulations that require you to dispose of these batteries properly due to environmental considerations. Please contact your local authorities for disposal or recycling information.
- Do not dispose of batteries in a fire.
- Do not short circuit, disassemble, or allow the batteries to overheat.
- **Cleaning**

When cleaning, unplug the power cord and wipe gently with a soft cloth to prevent scratching. Do not spray water or other liquids directly on the TV as electric shock may occur. Do not clean with chemicals such as alcohol, thinners, or benzene.

## Preparing

- When the TV is turned on for the first time after being shipped from the factory, initialization of the TV may take approximately one minute.
- Image shown may differ from your TV.
- Your TV's OSD (On Screen Display) may differ slightly from that shown in this manual.
- The available menus and options may differ from the input source or product model that you are using.
- New features may be added to this TV in the future.
- The items supplied with your product may vary depending upon the model.
- Product specifications or contents of this manual may be changed without prior notice due to upgrade of product functions.
- For an optimal connection, HDMI cables and USB devices should have bezels less than 10 mm (0.39 inches) thick and 18 mm (0.7 inches) width.
- Use an extension cable that supports USB 2.0 if the USB cable or USB flash drive does not fit into your TV's USB port.
- Use a certified cable with the HDMI logo attached. If you do not use a certified HDMI cable, the screen may not display or a connection error may occur.
- Recommended HDMI cable types (3m or less)
  - High-Speed HDMI<sup>®</sup>/™ cable
  - High-Speed HDMI<sup>®</sup>/™ cable with Ethernet



\*A ≤ 10 mm (0.39 inches)

\*B ≤ 18 mm (0.7 inches)

- Do not use any unapproved items to ensure the safety and lifespan of the product.
- Any damages or injuries by using unapproved items are not covered by the warranty.
- Some models appear to have a thin film on the screen. It is actually part of the screen; do not remove it.
- When attaching the stand to the TV set, place the screen facing down on a cushioned table or flat surface to protect the screen from scratches.

- Make sure that the screws are fastened tightly. (If they are not fastened securely enough, the TV may tilt forward after being installed.)
- Do not fasten the screws with excessive force otherwise they may be worn out and become loose.
- Make sure to wring any excess water or cleaner from the cloth.
- Do not spray water or cleaner directly onto the TV screen.
- Make sure to spray just enough of water or cleaner onto a dry cloth to wipe the screen.

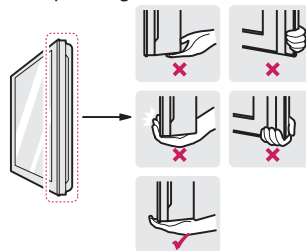
## Lifting and Moving the TV

When moving or lifting the TV, read the following to prevent the TV from being scratched or damaged and for safe transportation regardless of its type and size.

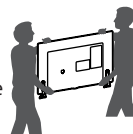
- It is recommended to move the TV in the box or packing material that the TV originally came in.
- Before moving or lifting the TV, disconnect the power cord and all cables.



- When holding the TV, the screen should face away from you to avoid damage.
- Hold the top and bottom of the TV frame firmly. Make sure not to hold the transparent part, speaker, or speaker grille area.



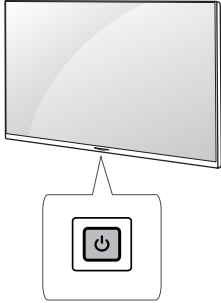
- Use at least two people to move a large TV.
- When transporting the TV by hand, hold the TV as shown in the following illustration.
- When transporting the TV, do not expose the TV to jolts or excessive vibration.
- When transporting the TV, keep the TV upright; never turn the TV on its side or tilt towards the left or right.
- When handling the TV, be careful not to damage the protruding buttons.



- Avoid touching the screen at all times, as this may result in damage to the screen.
- Do not place the product on the floor with its front facing down without padding. Failure to do so may result in damage to the screen.
- Do not move the TV by holding the cable holders, as the cable holders may break, and injuries and damage to the TV may occur. (Depending upon model)

## Using the Button

You can operate the TV functions, using the button.



### Basic Functions

	Power On (Press)
	Power Off <sup>1</sup> (Press and Hold)
	Menu Control (Press <sup>2</sup> )
	Menu Selection (Press and Hold <sup>3</sup> )

- 1 All running apps will close.
- 2 You can access and adjust the menu by pressing the button when TV is on.
- 3 You can use the function when you access menu control.

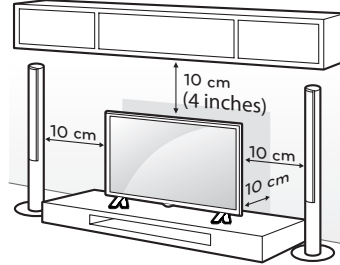
### Adjusting the Menu

When the TV is turned on, press button one time. You can adjust the Menu items using the button.

	Turns the power off.
	Changes the input source.
	Scrolls through the saved channels.
	Adjusts the volume level.

## Mounting on a Table

- 1 Lift and tilt the TV into its upright position on a table.
  - Leave a 10 cm (4 inches) (minimum) space from the wall for proper ventilation.



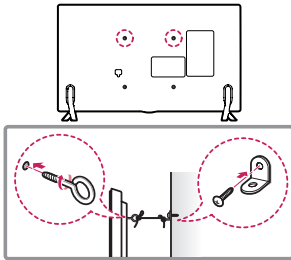
- 2 Connect the power cord to a wall outlet.



- Do not apply foreign substances (oils, lubricants, etc.) to the screw parts when assembling the product. (Doing so may damage the product.)

## Securing the TV to a Wall

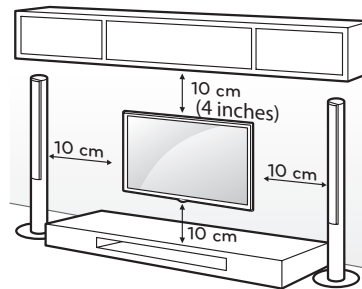
(Depending upon model)



- 1 Insert and tighten the eye-bolts, or TV brackets and bolts on the back of the TV.
  - If there are bolts inserted at the eye-bolts position, remove the bolts first.
- 2 Mount the wall brackets with the bolts to the wall. Match the location of the wall bracket and the eye-bolts on the rear of the TV.
- 3 Connect the eye-bolts and wall brackets tightly with a sturdy rope or cable. Make sure to keep the rope parallel to the flat surface.
  - ⚠ • Make sure that children do not climb on or hang on the TV.
  - Use a platform or cabinet that is strong and large enough to support the TV securely.
  - Brackets, bolts, and ropes are optional. You can obtain additional accessories from your local dealer.

## Mounting on a Wall

An optional wall mount can be used with your LG Television. Consult with your local dealer for a wall mount that supports the VESA standard used by your TV model. Carefully attach the wall mount bracket at the rear of the TV. Install the wall mount bracket on a solid wall perpendicular to the floor. If you are attaching the TV to other building materials, please contact qualified personnel to install the wall mount. Detailed instructions will be included with the wall mount. We recommend that you use an LG brand wall mount. The LG wall mount is easy to adjust or to connect the cables. When you do not use LG's wall mount bracket, use a wall mount bracket where the device is adequately secured to the wall with enough space to allow connectivity to external devices. If you are using a non-adjustable mount, attach the mount to the wall. Attach the cables to the TV first, then attach the TV to the mount.

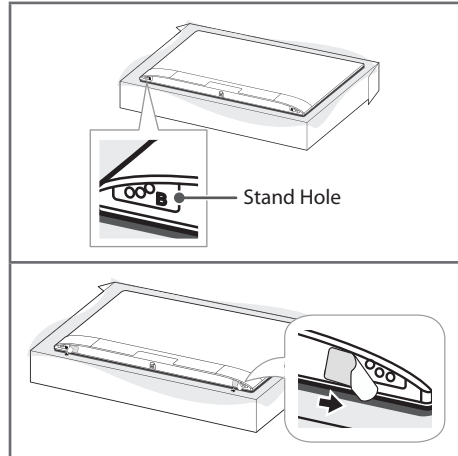


Make sure to use screws and wall mounts that meet the VESA standard. Standard dimensions for the wall mount kits are described in the following table.

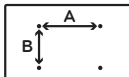
<b>Model</b>	43UJ6300	49UJ6300
	43UJ6050	49UJ6050
	43UJ6350	49UJ6350
		55UJ6300
		55UJ6050
	55UJ6350	
<b>VESA (A x B)</b>	200 x 200	300 x 300
<b>Standard screw</b>	M6	M6
<b>Number of screws</b>	4	4
<b>Wall mount bracket (optional)</b>	LSW240B MSW240	LSW350B MSW240

<b>Model</b>	60UJ6300
	60UJ6050
	60UJ6350
	65UJ6300
	65UJ6050
	65UJ6350
<b>VESA (A x B)</b>	300 x 300
<b>Standard screw</b>	M6
<b>Number of screws</b>	4
<b>Wall mount bracket (optional)</b>	LSW350B

- When using the wall mount, it is recommended that you apply a piece of tape over the Stand holes to prevent dust and bugs from entering the holes. (Depending upon model)



ENGLISH



- Remove the stand before installing the TV on a wall mount by performing the stand attachment in reverse.

## Connections (Notifications)

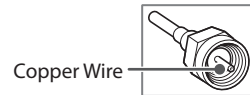
You can connect various external devices to the TV. Supported external devices are: HD receivers, DVD players, VCRs, audio systems, USB storage devices, PC, gaming devices, and other external devices. For more information on an external device's connection, refer to the manual provided with each device.

- If you record a TV program on a DVD recorder or VCR, make sure to connect the TV signal input cable to the TV through a DVD recorder or VCR. For more information about recording, refer to the manual provided with the connected device.
- The external device connections shown may differ slightly from illustrations in a manual.
- Connect external devices to the TV regardless about the order of the TV port.
- If you connect a gaming device to the TV, use the cable supplied with the gaming device.
- Refer to the external equipment's manual for operating instructions.
- In PC mode, there may be noise associated with the resolution, vertical pattern, contrast, or brightness. If noise is present, change the PC output to another resolution, change the refresh rate to another rate, or adjust the brightness and contrast on the **Picture** menu until the picture is clear. Depending upon the graphics card, some resolution settings may not allow the image to be positioned on the screen properly.
- Some USB Hubs may not work. If a USB device connected through a USB Hub is not detected, connect it directly to the USB port on the TV.
- The TV may be capable of operating without a set-top from a multichannel video programming distributor (MVPD).
- When connecting via a wired LAN, it is recommended to use a CAT 7 cable.

## Connecting to an Antenna or Cable

Connect an antenna, cable, or cable box to watch TV. The illustrations may differ from the actual items and an RF cable is optional.




- Make sure not to bend the copper wire of the RF cable.



- Use a signal splitter to use 2 TVs or more.
- DTV Audio Supported Codec: MPEG, Dolby Digital.
- This TV cannot receive ULTRA HD (3840 x 2160 pixels) broadcasts directly because the related standards have not been confirmed. (Depending upon model)

## Other Connections

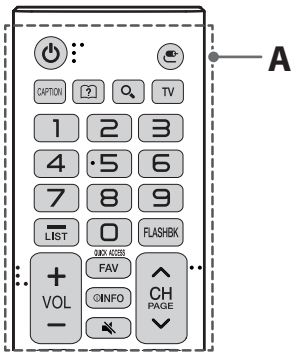
Connect your TV to external devices. For the best picture and audio quality, connect the external device and the TV with the HDMI cable. Depending upon the model, a cable may not be provided.

-  >  >  > **General > HDMI ULTRA HD Deep Color:**
  - On : Support 4K @ 60 Hz (4:4:4, 4:2:2, 4:2:0)
  - Off : Support 4K @ 60 Hz 8bit (4:2:0)
- If the device connected to Input Port also supports ULTRA HD Deep Color, your picture may be clearer. However, if the device doesn't support it, it may not work properly. In that case, connect the device to a different HDMI port or change the TV's **HDMI ULTRA HD Deep Color** setting to Off.
- HDMI Audio Supported Format: DTS (44.1 kHz / 48 kHz), Dolby Digital / Dolby Digital Plus (32 kHz / 44.1 kHz / 48 kHz), PCM (32 kHz / 44.1 kHz / 48 kHz / 96 kHz / 192 kHz) (Depending upon model)

## Remote Control

(Some buttons and services may not be provided depending on models or regions.)

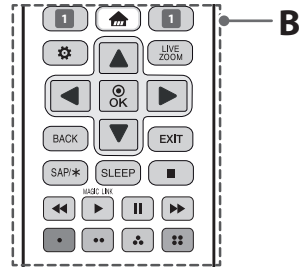
The descriptions in this manual are based on the buttons on the remote control. Please read this manual carefully and use the TV correctly. To install batteries, open the battery cover, replace batteries (1.5 V AAA) matching the ⊕ and ⊖ ends to the label inside the compartment, and close the battery cover. Failure to match the correct polarities of the battery may cause the battery to burst or leak, resulting in fire, personal injury, or ambient pollution. To remove the batteries, perform the installation actions in reverse. This remote uses infrared light. When in use, it should be pointed in the direction of the TV's remote sensor.



### A

- ⏻ (Power)** Turns the TV on or off.
- 📺 (Input)** Changes the input source.
- CAPTION** Activates or deactivates the subtitles.
- 🔍 (User guide)** Sees user-guide.
- 🔍 (Search)** Shows the search mode.
- TV** Returns to the last TV channel.
- Number button** Enters numbers.
- QUICK ACCESS\*** You can access the application or Live TV channel by using the number buttons as registered.
- (Dash)** Inserts a dash between numbers such as 2-1 and 2-2.
- LIST** Accesses the saved channel list.
- FLASHBK** Alternates between the two last channels selected (pressing repeatedly).
- + VOL -** Adjusts the volume level.

- FAV** Accesses your favorite channel list.
- ⓘ INFO** Shows information on the current program.
- 🔇** Mutes all sounds.
- ^ CH v** Scrolls through the saved channels.
- ^ PAGE v** Moves to the previous or next screen.



### B

- 1 Streaming service buttons** Connects to the Video Streaming Service.
- 🏠 (Home)** Accesses the Home menu. (Pressing and holding the 🏠 (Home) button displays the previous history.)
- ⚙️ (Settings)** Accesses the settings.
- LIVE ZOOM** By zooming in on the selected area, you can view it in full screen.
- Navigation buttons** Scrolls through menus or options. (up/down/left/right)
- 👉 OK** Selects menus or options and confirms your input.
- BACK** Returns to the previous screen.
- EXIT** Clears all on-screen displays and returns to TV viewing.
- SAP/\*** Enables SAP (Secondary Audio Program) Feature.
- SLEEP** Sets the length of time until the TV to turns off.
- ▶, ⏸, ⏪, ⏩** Control buttons for media contents
- MAGIC LINK\*** Provides content related to the program you are currently watching.
- ⏏, ⏏, ⏏, ⏏** These access special functions in some menus.
- \*** To use the button, press and hold for more than 3 seconds.

## Licenses

Supported licenses may differ by model. For more information about licenses, visit [www.lg.com](http://www.lg.com).



## Open Source Software Notice Information

To obtain the source code under GPL, LGPL, MPL, and other open source licenses, that is contained in this product, please visit <http://opensource.lge.com>. In addition to the source code, all referred license terms, warranty disclaimers and copyright notices are available for download.

LG Electronics will also provide open source code to you on CD-ROM for a charge covering the cost of performing such distribution (such as the cost of media, shipping, and handling) upon email request to [opensource@lge.com](mailto:opensource@lge.com). This offer is valid for three (3) years from the date on which you purchased the product.

## External Control Device Setup

To obtain the external control device setup information, please visit [www.lg.com](http://www.lg.com).

## Troubleshooting

- Cannot control the TV with the remote control.
  - Check if anything such as tape has been placed over the receiver.
  - Check if there is any obstacle between the product and the remote control.
  - Replace the batteries with new fresh ones.
- No image display and no sound is produced.
  - Check if the product is turned on.
  - Check if the power cord is connected to a wall outlet.
  - Check if there is a problem in the wall outlet by connecting other products.
- The TV turns off suddenly.
  - Check the power control settings. The power supply may be interrupted.
  - Check if the **Timer Power Off / Sleep Timer** feature is activated in the **Timers** settings.
  - If there is no signal while the TV is on, the TV will turn off automatically after 15 minutes of inactivity.
- **Abnormal Display**
  - If the TV feels cold to the touch, there may be a small flicker when it is turned on. This is normal; there is nothing wrong with TV. Some minute dot defects may be visible on the screen, appearing as tiny red, green, or blue spots. However, they have no adverse effect on the TV's performance. Avoid touching the LCD screen or holding your finger(s) against it for long periods of time. Doing so may produce some temporary distortion effects on the screen.
  - This panel is an advanced product that contains millions of pixels. In a very few cases, you could see fine dots on the screen while you're viewing the TV. Those dots are deactivated pixels and do not affect the performance and reliability of the TV.
  - Displaying a still image for a prolonged period of time may cause an image sticking. Avoid displaying a fixed image on the TV screen for an extended length of time.

- **Generated Sound**

- **Cracking noise** A cracking noise that occurs when watching or turning off the TV is generated by plastic thermal contraction due to temperature and humidity. This noise is common for products where thermal deformation is required.
- **Electrical circuit humming/panel buzzing** A low level noise is generated from a high-speed switching circuit, which supplies a large amount of current to operate a product. It varies depending upon the product. This generated sound does not affect the performance and reliability of the product.

## Specifications

Product specifications may be changed without prior notice due to upgrade of product functions.

Estimated yearly energy consumption indicated on the FTC label is measured in accordance with the Test Procedures for Television Sets (USA only).

The actual energy consumption depends on the usage environment (The content watched, TV settings, etc.).

### Television System

ATSC, NTSC-M, 64 & 256 QAM

### Program Coverage

VHF 2-13, UHF 14-69, DTV 2-69, CATV 1-135, CADTV 1-135

### External Antenna Impedance

75 Ω

### Environment condition

- **Operating Temperature**  
0 °C to 40 °C (32 °F to 104 °F)
- **Operating Humidity**  
Less than 80 %
- **Storage Temperature**  
-20 °C to 60 °C (-4 °F to 140 °F)
- **Storage Humidity**  
Less than 85 %

## Wireless Module Specifications

Wireless module (LGSWFAC71) Specifications	
Wireless LAN (IEEE 802.11a/b/g/n/ac)	
Frequency Range	Output Power(Max.)
2,400 to 2,483.5 MHz	15 dBm
5,150 to 5,725 MHz	14.5 dBm
5,725 to 5,850 MHz	14.5 dBm

- As band channels can vary per country, the user cannot change or adjust the operating frequency. This product is configured for the regional frequency table.
- For consideration of the user, this device should be installed and operated with a minimum distance of 20 cm (7.8 inches) between the device and the body.
- FCC ID: BEJLGSWFAC71  
IC: 2703H-LGSWFAC71

## Regulatory

### FCC NOTICE

(For USA)

This equipment has been tested and found to comply with the limits for a Class B digital device, pursuant to Part 15 of the FCC Rules. These limits are designed to provide reasonable protection against harmful interference in a residential installation. This equipment generates, uses and can radiate radio frequency energy and, if not installed and used in accordance with the instructions, may cause harmful interference to radio communications. However, there is no guarantee that interference will not occur in a particular installation. If this equipment does cause harmful interference to radio or television reception, which can be determined by turning the equipment off and on, the user is encouraged to try to correct the interference by one or more of the following measures:

- Reorient or relocate the receiving antenna.
- Increase the separation between the equipment and the receiver.
- Connect the equipment to an outlet on a circuit different from that to which the receiver is connected.
- Consult the dealer or an experienced radio/TV technician for help.

This device complies with part 15 of the FCC Rules. Operation is subject to the following two conditions: (1) this device may not cause harmful interference and (2) this device must accept any interference received, including interference that may cause undesired operation of the device. Any changes or modifications in construction of this device which are not expressly approved by the party responsible for compliance could void the user's authority to operate the equipment.

### FCC Radio Frequency Interference Requirements (for UNII devices)

High power radars are allocated as primary users of the 5.25 to 5.35 GHz and 5.65 to 5.85 GHz bands. These radar stations can cause interference with and/or damage this device. This device cannot be co-located with any other transmitter.

### FCC RF Radiation Exposure Statement

[For having wireless function (WLAN, Bluetooth,...)]

This equipment complies with FCC radiation exposure limits set forth for an uncontrolled environment. This transmitter must not be colocated or operating in conjunction with any other antenna or transmitter. This equipment should be installed and operated with minimum distance 20 cm (7.8 inches) between the radiator and your body. Users must follow the specific operating instructions for satisfying RF exposure compliance.

### Industry Canada Statement

(For Canada)

[For having wireless function (WLAN, Bluetooth,...)]

This device complies with Industry Canada's applicable licence-exempt RSSs. Operation is subject to the following two conditions:

- (1) This device may not cause interference; and
- (2) This device must accept any interference, including interference that may cause undesired operation of the device.

### IC Radiation Exposure Statement

(For Canada)

[For having wireless function (WLAN, Bluetooth,...)]

This equipment complies with IC radiation exposure limits set forth for an uncontrolled environment. This equipment should be installed and operated with minimum distance 20 cm (7.8 inches) between the antenna & your body.

**NOTE : THE MANUFACTURER IS NOT RESPONSIBLE FOR ANY RADIO OR TV INTERFERENCE CAUSED BY UNAUTHORIZED MODIFICATIONS TO THIS EQUIPMENT. SUCH MODIFICATIONS COULD VOID THE USER'S AUTHORITY TO OPERATE THE EQUIPMENT.**

(For Canada)

[For product having the wireless function using 5 GHz frequency bands]

- The device for operation in the band 5150–5250 MHz is only for indoor use to reduce the potential for harmful interference to co-channel mobile satellite systems;
- For devices with detachable antenna(s), the maximum antenna gain permitted for devices in the bands 5250-5350 MHz and 5470-5725 MHz shall be such that the equipment still complies with the e.i.r.p. limit;
- For devices with detachable antenna(s), the maximum antenna gain permitted for devices in the band 5725-5850 MHz shall be such that the equipment still complies with the e.i.r.p. limits specified for point-to-point and non-point-to-point operation as appropriate; and
- The worst-case tilt angle(s) necessary to remain compliant with the e.i.r.p. elevation mask requirement set forth in Section 6.2.2(3) shall be clearly indicated.(devices operating in the band 5250-5350 MHz with a maximum e.i.r.p. greater than 200 mW)
- High-power radars are allocated as primary users (i.e. priority users) of the bands 5250–5350 MHz and 5650–5850 MHz and that these radars could cause interference and/or damage to LE-LAN devices.

## NOTE TO CABLE/TV INSTALLER

(For USA and Canada)

This reminder is provided to call the CATV system installer's attention to Article 820-40 of the National Electric Code (U.S.A.). The code provides guidelines for proper grounding and, in particular, specifies that the cable ground shall be connected to the grounding system of the building, as close to the point of the cable entry as practical.







## WARNING!

Never place a television set in an unstable location. A television set may fall, causing serious personal injury or death. Many injuries, particularly to children, can be avoided by taking simple precautions such as:

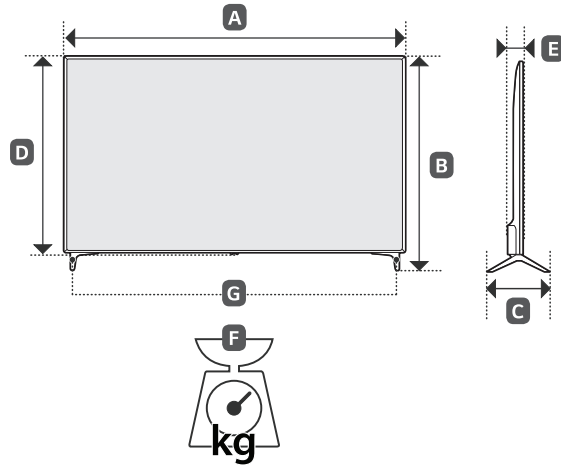
- Using cabinets or stands recommended by the manufacturer of the television set.
- Only using furniture that can safely support the television set.
- Ensuring the television set is not overhanging the edge of the supporting furniture.
- Not placing the television set on tall furniture (for example, cupboards or bookcases) without anchoring both the furniture and the television set to a suitable support.
- Not placing the television set on cloth or other materials that may be located between the television set and supporting furniture.
- Educating children about the dangers of climbing on furniture to reach the television set or its controls.

If your existing television set is being retained and relocated, the same considerations as above should be applied.

## Symbols

	Refers to alternating current (AC).
	Refers to direct current (DC).
	Refers to class II equipment.
	Refers to stand-by.
	Refers to "ON" (power).
	Refers to dangerous voltage.

(Image shown may differ from your TV.)



**A, B, C, D, E** : mm (inches)  
**F, G** : kg (lbs)

ENGLISH

MODELS	<b>A</b>	<b>B</b>	<b>C</b>	<b>D</b>	<b>E</b>	<b>F</b>	<b>F - G</b>	Current value / Power consumption
43UJ6300-UA 43UJ6050-UC 43UJ6350-UC	977 (38.4)	615 (24.2)	187 (7.3)	575 (22.6)	80.8 (3.1)	8.4 (18.5)	8.3 (18.2)	1.0 A / 100 W
49UJ6300-UA 49UJ6050-UC 49UJ6350-UC	1,110 (43.7)	705 (27.7)	235 (9.2)	650 (25.5)	81.1 (3.1)	11.4 (25.1)	11.3 (24.9)	1.2 A / 120 W
55UJ6300-UA 55UJ6050-UC 55UJ6350-UC	1,249 (49.1)	785 (30.9)	235 (9.2)	730 (28.7)	83.4 (3.2)	14.3 (31.5)	14.2 (31.3)	1.55 A / 155 W
60UJ6300-UA 60UJ6050-UC 60UJ6350-UC	1,359 (53.5)	852 (33.5)	255 (10.0)	791 (31.1)	82.9 (3.2)	17.6 (38.8)	17.4 (38.3)	1.85 A / 185 W
65UJ6300-UA 65UJ6050-UC 65UJ6350-UC	1,471 (57.9)	915 (36.0)	255 (10.0)	855 (33.6)	83.4 (3.2)	22.5 (49.6)	22.3 (49.1)	2.0 A / 200 W
<b>Power Requirement</b>					AC 100 - 240 V - 50 / 60 Hz			



The model and serial numbers of the TV are located on the back and on one side of the TV. Record them below should you ever need service.

MODEL \_\_\_\_\_  
SERIAL \_\_\_\_\_



OWNER'S MANUAL

# EXTERNAL CONTROL DEVICE SETUP

Please read this manual carefully before operating the set and retain it for future reference.

## KEY CODES

- This feature is not available for all models.

Code (Hexa)	Function	Note	Code (Hexa)	Function	Note
00	CH +, PR +	R/C Button	53	List	R/C Button
01	CH -, PR -	R/C Button	5B	Exit	R/C Button
02	Volume +	R/C Button	60	PIP(AD)	R/C Button
03	Volume -	R/C Button	61	Blue	R/C Button
06	> (Arrow Key / Right Key)	R/C Button	63	Yellow	R/C Button
07	< (Arrow Key / Left Key)	R/C Button	71	Green	R/C Button
08	Power	R/C Button	72	Red	R/C Button
09	Mute	R/C Button	79	Ratio / Aspect Ratio	R/C Button
0B	Input	R/C Button	91	AD (Audio Description)	R/C Button
0E	SLEEP	R/C Button	9E	LIVE MENU	R/C Button
0F	TV, TV/RAD	R/C Button	7A	User Guide	R/C Button
10 - 19	* Number Key 0 - 9	R/C Button	7C	Smart / Home	R/C Button
1A	Q.View / Flashback	R/C Button	7E	SIMPLINK	R/C Button
1E	FAV (Favorite Channel)	R/C Button	8E	▶▶ (Forward)	R/C Button
20	Text (Teletext)	R/C Button	8F	◀◀ (Rewind)	R/C Button
21	T. Opt (Teletext Option)	R/C Button	AA	Info	R/C Button
28	Return (BACK)	R/C Button	AB	Program Guide	R/C Button
30	AV (Audio / Video) Mode	R/C Button	B0	▶ (Play)	R/C Button
39	Caption/Subtitle	R/C Button	B1	■ (Stop / File List)	R/C Button
40	∧ (Arrow Key / Cursor Up)	R/C Button	B5	RECENT	R/C Button
41	V (Arrow Key / Cursor Down)	R/C Button	BA	(Freeze / Slow Play / Pause)	R/C Button
42	My Apps	R/C Button	BB	Soccer	R/C Button
43	Menu / Settings	R/C Button	BD	● (REC)	R/C Button
44	OK / Enter	R/C Button	DC	3D	R/C Button
45	Q.Menu	R/C Button	99	AutoConfig	R/C Button
4C	List, - (ATSC Only)	R/C Button	9F	App / *	R/C Button
4D	PICTURE	R/C Button	9B	TV / PC	R/C Button
52	SOUND	R/C Button			

\* Key code 4C (0x4C) is available on ATSC/ISDB models which use major/minor channel.  
(For South Korea, Japan, North America, Latin America except Colombia models)

# EXTERNAL CONTROL DEVICE SETUP

- Image shown may differ from your TV.

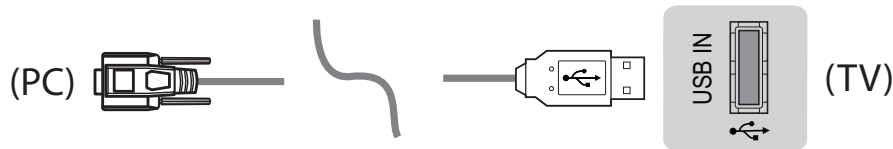
Connect the USB to Serial converter/RS-232C input jack to an external control device (such as a computer or an A/V control system) to control the product's functions externally.

Note: The type of control port on the TV can be different between model series.

- \* Please be advised that not all models support this type of connectivity.
- \* Cable is not provided.

## USB to Serial converter with USB Cable

USB Type



- LGTV supports PL2303 chip-based (Vendor ID : 0x0557, Product ID : 0x2008) USB to serial converter which is not made nor provided by LG.
- It can be purchased from computer stores that carry accessories for IT support professionals.

## RS-232C With RS232C Cable

DE9 (D-Sub 9pin) Type

- You need to purchase the RS-232C (DE9, D-Sub 9pin female-to-female type) to RS-232C cable required for the connection between the PC and the TV, which is specified in the manual.

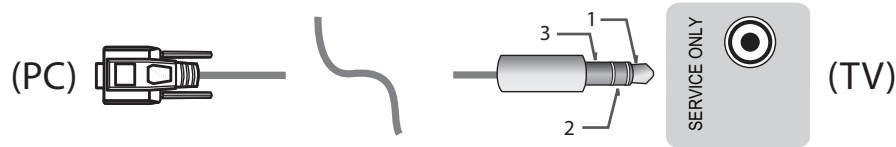


The connection interface may differ from your TV.

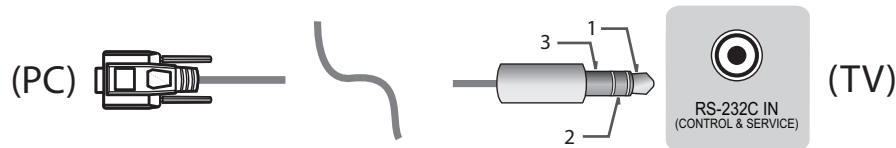
ENGLISH

Phone jack Type

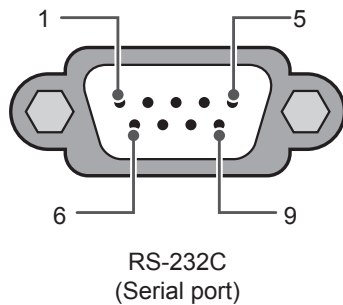
- You need to purchase the phone-jack to RS-232 cable required for the connection between the PC and the TV, which is specified in the manual.
- \* For other models, connect to the USB port.
- \* The connection interface may differ from your TV.



- or

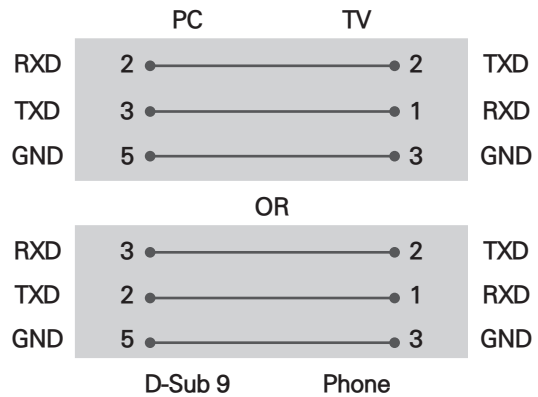


Customer Computer



RS-232C configurations

3-Wire Configurations(Not standard)



Set ID

For Set ID number, see "Real Data Mapping" on p.6

1. Press **SETTINGS** to access the main menus.
2. Press the Navigation buttons to scroll to (**\*General** → **About this TV or OPTION**) and press **OK**.
3. Press the Navigation buttons to scroll to **SET ID** and press **OK**.
4. Scroll left or right to select a set ID number and select **CLOSE**. The adjustment range is 1-99.
5. When you are finished, press **EXIT**.  
\* (Depending on model)

## Communication Parameters

- Baud rate : 9600 bps (UART)
- Data length : 8 bits
- Parity : None
- Stop bit : 1 bit
- Communication code : ASCII code
- Use a crossed (reverse) cable.

## Command reference list

(Depending on model)

	COMMAND1	COMMAND2	DATA (Hexadecimal)		COMMAND1	COMMAND2	DATA (Hexadecimal)
01. Power*	k	a	00 to 01	15. Balance	k	t	00 to 64
02. Aspect Ratio	k	c	(p.7)	16. Color (Colour) Temperature	x	u	00 to 64
03. Screen Mute	k	d	(p.7)	17. ISM Method (Only Plasma TV)	j	p	(p.8)
04. Volume Mute	k	e	00 to 01	18. Equalizer	j	v	(p.8)
05. Volume Control	k	f	00 to 64	19. Energy Saving	j	q	00 to 05
06. Contrast	k	g	00 to 64	20. Tune Command	m	a	(p.9)
07. Brightness	k	h	00 to 64	21. Channel (Programme) Add/Del(Skip)	m	b	00 to 01
08. Color/ Colour	k	i	00 to 64	22. Key	m	c	Key Codes
09. Tint	k	j	00 to 64	23. Control Backlight, Control Panel Light	m	g	00 to 64
10. Sharpness	k	k	00 to 32	24. Input select (Main)	x	b	(p.11)
11. OSD Select	k	l	00 to 01	25. 3D (Only 3D models)	x	t	(p.11)
12. Remote Control Lock Mode	k	m	00 to 01	26. Extended 3D (Only 3D models)	x	v	(p.12)
13. Treble	k	r	00 to 64	27. Auto Configure	j	u	(p.12)
14. Bass	k	s	00 to 64				

\* Note: During playing or recording media, all commands except Power (ka) and Key (mc) are not executed and treated as NG.  
With RS232C cable, TV can communicate "ka command" in power-on or power-off status. but with USB-to-Serial converter cable, the command works only if TV is on.

## Transmission / Receiving Protocol

### Transmission

[Command1][Command2][ ][Set ID][ ][Data][Cr]

[Command 1] : First command to control the TV. (j, k, m or x)

[Command 2] : Second command to control the TV.

[Set ID] : You can adjust the [Set ID] to choose desired monitor ID number in option menu.  
Adjustment range in TV is 1 to 99. If [Set ID] value is selected to '0', every connected set can be controlled.  
\* [Set ID] is indicated as decimal (1 to 99) on menu and as Hexadecimal (0x00 to 0x63) on transmission/receiving protocol.

[DATA] : To transmit command data (hexadecimal). Transmit 'FF' data to read status of command.

[Cr] : Carriage Return - ASCII code '0x0D'

[ ] : Space - ASCII code '0x20'

### OK Acknowledgement

[Command2][ ][Set ID][ ][OK][Data][x]

\* The set transmits ACK (acknowledgement) based on this format when receiving normal data. At this time, if the data is data read mode, it indicates present status data. If the data is data write mode, it returns the data of the PC computer.

### Error Acknowledgement

[Command2][ ][Set ID][ ][NG][Data][x]

\* The set transmits ACK (acknowledgement) based on this format when receiving abnormal data from non-viable functions or communication errors.

Data 00: Illegal Code

### Real data mapping (Hexadecimal to Decimal)

\* When you enter the [data] in hexadecimal, refer to following conversion table.

\* Channel Tune (ma) Command uses two-byte hexadecimal value([data]) to select channel number.

00 : Step 0	32 : Step 50 (Set ID 50)	FE : Step 254
01 : Step 1 (Set ID 1)	33 : Step 51 (Set ID 51)	FF : Step 255
...	...	...
0A : Step 10 (Set ID 10)	63 : Step 99 (Set ID 99)	01 00 : Step 256
...	...	...
0F : Step 15 (Set ID 15)	C7 : Step 199	27 0E : Step 9998
10 : Step 16 (Set ID 16)	C8 : Step 200	27 0F : Step 9999
...	...	...

\* Commands may work differently depending on model and signal.

#### 01. Power (Command: k a)

- ▶ To control Power \*On or Off of the set.

Transmission [k][a][ ][Set ID][ ][Data][Cr]

Data 00 : Power Off      01 : \*Power On

Ack [a][ ][Set ID][ ][OK/NG][Data][x]

- ▶ To Show TV is Power On or \*Off

Transmission [k][a][ ][Set ID][ ][FF][Cr]

Ack [a][ ][Set ID][ ][OK][Data][x]

\* Similarly, if other functions transmit 'FF' data based on this format, Acknowledgement feedback presents status about each function.

#### 02. Aspect Ratio (Command: k c) (Main Picture Size)

- ▶ To adjust the screen format. (Main picture format)  
You can also adjust the screen format using the Aspect Ratio in the Q.MENU. or PICTURE menu.

Transmission [k][c][ ][Set ID][ ][Data][Cr]

Data 01 : Normal screen    07 : 14:9  
(4:3)                      (Europe, Colombia, Mid-East,  
02 : Wide screen        Asia except South Korea and  
(16:9)                      Japan)  
04 : Zoom                09 : \* Just Scan  
05 : Zoom 2              0B : Full Wide  
(Latin America        (Europe, Colombia, Mid-  
except Colombia       East, Asia except South  
Only)                      Korea and Japan)  
06 : Set by Program/ 10 to 1F : Cinema Zoom 1 to 16  
Original                0c : 21:9 (Depending on model)

Ack [c][ ][Set ID][ ][OK/NG][Data][x]

- \* Using the PC input, you select either 16:9 or 4:3 screen aspect ratio.
- \* In DTV/HDMI/Component mode (high-definition), Just Scan is available.
- \* Full wide mode may work differently based on model and is supported for DTV fully, and ATV, AV partially.

#### 03. Screen Mute (Command: k d)

- ▶ To select screen mute on/off.

Transmission [k][d][ ][Set ID][ ][Data][Cr]

Data 00 : Screen mute off (Picture on)  
Video mute off  
01 : Screen mute on (Picture off)  
10 : Video mute on

Ack [d][ ][Set ID][ ][OK/NG][Data][x]

\* In case of video mute on only, TV will display On Screen Display(OSD). But, in case of Screen mute on, TV will not display OSD.

#### 04. Volume Mute (Command: k e)

- ▶ To control volume mute on/off.  
You can also adjust mute using the MUTE button on remote control.

Transmission [k][e][ ][Set ID][ ][Data][Cr]

Data 00 : Volume mute on (Volume off)  
01 : Volume mute off (Volume on)

Ack [e][ ][Set ID][ ][OK/NG][Data][x]

#### 05. Volume Control (Command: k f)

- ▶ To adjust volume.  
You can also adjust volume with the volume buttons on remote control.

Transmission [k][f][ ][Set ID][ ][Data][Cr]

Data Min : 00 to Max : 64

Ack [f][ ][Set ID][ ][OK/NG][Data][x]

#### 06. Contrast (Command: k g)

- ▶ To adjust screen contrast.  
You can also adjust contrast in the PICTURE menu.

Transmission [k][g][ ][Set ID][ ][Data][Cr]

Data Min : 00 to Max : 64

Ack [g][ ][Set ID][ ][OK/NG][Data][x]

#### 07. Brightness (Command: k h)

- ▶ To adjust screen brightness.  
You can also adjust brightness in the PICTURE menu.

Transmission [k][h][ ][Set ID][ ][Data][Cr]

Data Min : 00 to Max : 64

Ack [h][ ][Set ID][ ][OK/NG][Data][x]

## 08. Color/Colour (Command: k i)

- ▶ To adjust the screen Color(Colour).  
You can also adjust colour in the PICTURE menu.

Transmission [k][i][ ][Set ID][ ][Data][Cr]

Data Min : 00 to Max : 64

Ack [i][ ][Set ID][ ][OK/NG][Data][x]

## 09. Tint (Command: k j)

- ▶ To adjust the screen tint.  
You can also adjust tint in the PICTURE menu.

Transmission [k][j][ ][Set ID][ ][Data][Cr]

Data Red : 00 to Green : 64

Ack [j][ ][Set ID][ ][OK/NG][Data][x]

## 10. Sharpness (Command: k k)

- ▶ To adjust the screen sharpness.  
You can also adjust sharpness in the PICTURE menu.

Transmission [k][k][ ][Set ID][ ][Data][Cr]

Data Min : 00 to Max : 32

Ack [k][ ][Set ID][ ][OK/NG][Data][x]

## 11. OSD Select (Command: k l)

- ▶ To select OSD (On Screen Display) on/off when controlling remotely.

Transmission [k][l][ ][Set ID][ ][Data][Cr]

Data 00 : OSD off      01 : OSD on

Ack [l][ ][Set ID][ ][OK/NG][Data][x]

## 12. Remote control lock mode (Command: k m)

- ▶ To lock the front panel controls on the monitor and remote control.

Transmission [k][m][ ][Set ID][ ][Data][Cr]

Data 00 : Lock off      01 : Lock on

Ack [m][ ][Set ID][ ][OK/NG][Data][x]

- \* If you are not using the remote control, use this mode.  
When main power is off & on (plug-off and plug-in, after 20 - 30 seconds), external control lock is released.

- \* In the standby mode (DC off by off timer or 'ka', 'mc' command), and if key lock is on, TV will not turn on by power on key of IR & Local Key.

## 13. Treble (Command: k r)

- ▶ To adjust treble.  
You can also adjust in the AUDIO menu.

Transmission [k][r][ ][Set ID][ ][Data][Cr]

Data Min : 00 to Max : 64

Ack [r][ ][Set ID][ ][OK/NG][Data][x]

\* (Depending on model)

## 14. Bass (Command: k s)

- ▶ To adjust Bass.  
You can also adjust in the AUDIO menu.

Transmission [k][s][ ][Set ID][ ][Data][Cr]

Data Min : 00 to Max : 64

Ack [s][ ][Set ID][ ][OK/NG][Data][x]

\* (Depending on model)

## 15. Balance (Command: k t)

- ▶ To adjust balance.  
You can also adjust balance in the AUDIO menu.

Transmission [k][t][ ][Set ID][ ][Data][Cr]

Data Min : 00 to Max : 64

Ack [t][ ][Set ID][ ][OK/NG][Data][x]

## 16. Color(Colour) Temperature (Command: x u)

- ▶ To adjust colour temperature. You can also adjust Color(Colour) Temperature in the PICTURE menu.

Transmission [x][u][ ][Set ID][ ][Data][Cr]

Data Min : 00 to Max : 64

Ack [u][ ][Set ID][ ][OK/NG][Data][x]

## 17. ISM Method (Command: j p) (Only Plasma TV)

- ▶ To control the ISM method. You can also adjust ISM Method in OPTION menu.

Transmission [j][p][ ][Set ID][ ][Data][Cr]

Data Min : 02: Orbiter

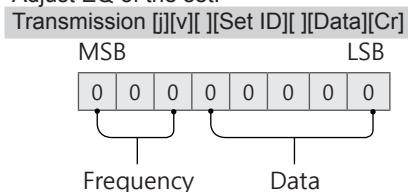
08: Normal

20: Color(Colour) Wash

Ack [p][ ][Set ID][ ][OK/NG][Data][x]

## 18. Equalizer (Command : j v)

- ▶ Adjust EQ of the set.



7	6	5	Frequency	4	3	2	1	0	Step
0	0	0	1st Band	0	0	0	0	0	0(decimal)
0	0	1	2nd Band	0	0	0	0	1	1(decimal)
0	1	0	3rd Band	...	...	...	...	...	...
0	1	1	4th Band	1	0	0	1	1	19(decimal)
1	0	0	5th Band	1	0	1	0	1	20(decimal)

Acknowledgement [v][ ][Set ID][ ][OK/NG][Data][x]

\* It depends on model, and can adjust when sound mode is EQ adjustable value.

## 19. Energy Saving (Command: j q)

- ▶ To reduce the power consumption of the TV. You can also adjust Energy Saving in PICTURE menu.

Transmission [j][q][ ][Set ID][ ][Data][Cr]

## Data

00 : Off  
 01 : Minimum  
 02 : Medium  
 03 : Maximum  
 04 : Auto (For LCD TV / LED TV) /  
 Intelligent sensor (For PDP TV)  
 05 : Screen off

\* (Depending on model)

Ack [q][ ][Set ID][ ][OK/NG][Data][x]

## 20. Tune Command (Command: m a)

\* This command may work differently depending on model and signal.

- For Europe, Mid-East, Colombia, Asia except South Korea and Japan Model

- ▶ Select channel to following physical number.

Transmission [m][a][ ][Set ID][ ][Data 00][ ][Data 01][ ][Data 02][Cr]

\* Analog Antenna/Cable

[Data 00][Data 01] Channel Data  
 Data 00 : High byte channel data  
 Data 01 : Low byte channel data  
 - 00 00 ~ 00 C7 (Decimal : 0 ~ 199)

Data 02 : Input Source (Analog)  
 - 00 : Antenna TV (ATV)  
 - 80 : Cable TV (CATV)

\* Digital Antenna/Cable/Satellite

[Data 00][Data 01]: Channel Data  
 Data 00 : High Channel data  
 Data 01 : Low Channel data  
 - 00 00 ~ 27 0F (Decimal: 0 ~ 9999)  
 Data 02 : Input Source (Digital)  
 - 10 : Antenna TV (DTV)  
 - 20 : Antenna Radio (Radio)  
 - 40 : Satellite TV (SDTV)  
 - 50 : Satellite Radio (S-Radio)  
 - 90 : Cable TV (CADTV)  
 - a0 : Cable Radio (CA-Radio)

\* Tune Command Examples:

1. Tune to the Analog antenna (PAL) Channel 10.

Set ID = All = 00  
 Data 00 & 01 = Channel Data is 10 = 00 0a  
 Data 02 = Analog Antenna TV = 00  
 Result = **ma 00 00 0a 00**

2. Tune to the digital antenna (DVB-T) Channel 01.

Set ID = All = 00  
 Data 00 & 01 = Channel Data is 1 = 00 01  
 Data 02 = Digital Antenna TV = 10  
 Result = **ma 00 00 01 10**

3. Tune to the satellite (DVB-S) Channel 1000.

Set ID = All = 00  
 Data 00 & 01 = Channel Data is 1000 = 03 E8  
 Data 02 = Digital Satellite TV = 40  
 Result = **ma 00 03 E8 40**

Ack [a][ ][Set ID][ ][OK][Data 00][Data 01]

[Data 02][x][a][ ][Set ID][ ][NG][Data 00][x]

- For South Korea, North/Latin America except Colombia Model

- ▶ To tune channel to following physical/major/minor number.

Transmission [m][a][ ][0][ ][Data00][ ][Data01]

[ ][Data02][ ][Data03][ ][Data04][ ][Data05][Cr]

Digital channels have a Physical, Major, and Minor channel number. The Physical number is the actual digital channel number, the Major is the number that the channel should be mapped to, and the Minor is the sub-channel. Since the ATSC tuner automatically maps the channel from the Major / Minor number, the Physical number is not required when sending a command in Digital.

## \* Analog Antenna/Cable

Data 00 : Physical Channel Number

- Antenna (ATV) : 02~45 (Decimal: 2 ~ 69)
- Cable (CATV) : 01, 0E~7D (Decimal : 1, 14~125)

[Data 01 ~ 04]: Major/Minor Channel Number

Data 01 &amp; 02: xx (Don't care)

Data 03 &amp; 04: xx (Don't care)

Data 05: Input Source (Analog)

- 00 : Antenna TV (ATV)
- 01 : Cable TV (CATV)

## \* Digital Antenna/Cable

Data 00 : xx (Don't care)

[Data 01][Data 02]: Major Channel Number

Data 01 : High byte Channel Data

Data 02 : Low byte Channel Data

- 00 01 ~ 27 0F (Decimal: 1 ~ 9999)

[Data 03][Data 04]: Minor Channel Number

Data 03 : High byte Channel Data

Data 04 : Low byte Channel Data

Data 05 : Input Source (Digital)

- 02 : Antenna TV (DTV) – Use Physical Channel Number
- 06 : Cable TV (CADTV) – Use Physical Channel Number
- 22 : Antenna TV (DTV) – Don't Use Physical Channel Number
- 26 : Cable TV (CADTV) - Don't Use Physical Channel Number
- 46 : Cable TV (CADTV) – Use Physical/Major Channel Number Only (One Part Channel)
- 66 : Cable TV (CADTV) – Use Major Channel Number Only (One Part Channel)
- 0b : Cable DTV Plus – Use Physical Channel Number
- 2b : Cable DTV Plus – Don't Use Physical Channel Number
- 4b : Cable DTV Plus – Use Physical/Major Channel Number Only (One Part Channel)
- 6b : Cable DTV Plus – Use Major Channel Number Only (One Part Channel)

Two bytes are available for each major and minor channel data, but usually the low byte is used alone (high byte is 0).

## \* Tune Command Examples:

## 1. Tune to the Analog cable (NTSC) channel 35.

Set ID = All = 00

Data 00 = Channel Data is 35 = 23

Data 01 &amp; 02 = No Major = 00 00

Data 03 &amp; 04 = No Minor = 00 00

Data 05 = Analog Cable TV = 01

Total = **ma 00 23 00 00 00 01**

## 2. Tune to the digital antenna (ATSC) channel 30-3.

Set ID = All = 00

Data 00 = Don't know Physical = 00

Data 01 &amp; 02 = Major is 30 = 00 1E

Data 03 &amp; 04 = Minor is 3 = 00 03

Data 05 = Digital Antenna TV = 22

Total = **ma 00 00 00 1E 00 03 22**

Ack [a][ ][Set ID][ ][OK][Data 00][Data 01]

[Data 02][Data 03][Data 04][Data 05]

[x][a][ ][Set ID][ ][NG][Data 00][x]

## • For Japan Model

- ▶ To tune channel to following physical/major/minor number.

Transmission [m][a][ ][0][ ][Data00][ ][Data01]

[ ][Data02][ ][Data03][ ][Data04][ ][Data05][Cr]

## \* Digital Antenna/Satellite

Data 00: xx (Don't care)

[Data 01][Data 02]: Major Channel Number

Data 01: High byte Channel Data

Data 02: Low byte Channel Data

- 00 01 ~ 27 0F (Decimal: 1 ~ 9999)

[Data 03][Data 04]: Minor/Branch Channel Number  
(Don't care in Satellite)

Data 03: High byte Channel Data

Data 04: Low byte Channel Data

Data 05 : Input Source (Digital/Satellite for Japan)

- 02 : Antenna TV (DTV)
- 42 : Antenna TV (DTV) – Use Physical/Major Channel Number Only (One Part Channel)
- 62 : Antenna TV (DTV) – Use Major Channel Number Only (One Part Channel)
- 07 : BS (Broadcasting Satellite)
- 08 : CS1 (Communication Satellite 1)
- 09 : CS2 (Communication Satellite 2)

## \* Tune Command Examples:

## 1. Tune to the digital antenna (ISDB-T) channel 17-1.

Set ID = All = 00

Data 00 = Don't know Physical = 00

Data 01 &amp; 02 = Major is 17 = 00 11

Data 03 &amp; 04 = Minor/Branch is 1 = 00 01

Data 05 = Digital Antenna TV = 02

Total = **ma 00 00 00 11 00 01 02**

## 2. Tune to the BS (ISDB-BS) channel 30.

Set ID = All = 00  
 Data 00 = Don't know Physical = 00  
 Data 01 & 02 = Major is 30 = 00 1E  
 Data 03 & 04 = Don't Care = 00 00  
 Data 05 = Digital BS TV = 07  
 Total = **ma 00 00 00 1E 00 00 07**

\* This feature is varied based on the model.

Ack [a][ ][Set ID][ ][OK][Data 00][Data 01]  
 [Data 02][Data 03][Data 04][Data 05]  
 [x][a][ ][Set ID][ ][NG][Data 00][x]

21. Channel(Programme) Add/Del(Skip)  
(Command: m b)

► To skip current channel(programme) for next time.

Transmission [m][b][ ][Set ID][ ][Data][Cr]

Data 00 : Del(ATSC,ISDB)/Skip(DVB) 01 : Add

Ack [b][ ][Set ID][ ][OK/NG][Data][x]

\* Set the saved channel status to del(ATSC, ISDB)/skip(DVB) or add.

## 22. Key (Command: m c)

► To send IR remote key code.

Transmission [m][c][ ][Set ID][ ][Data][Cr]

Data Key code - p.2.

Ack [c][ ][Set ID][ ][OK/NG][Data][x]

## 23. Control Backlight (Command: m g)

• For LCD TV / LED TV

► To control the backlight.

Transmission [m][g][ ][Set ID][ ][Data][Cr]

Data Min : 00 to Max : 64

Ack [g][ ][Set ID][ ][OK/NG][Data][x]

Control Panel Light (Command: m g)

• For Plasma TV

► To control the panel light.

Transmission [m][g][ ][Set ID][ ][Data][Cr]

Data Min : 00 to Max : 64

Ack [g][ ][Set ID][ ][OK/NG][Data][x]

24. Input select (Command: x b)  
(Main Picture Input)

► To select input source for main picture.

Transmission [x][b][ ][Set ID][ ][Data][Cr]

Data

00 : DTV	01 : CADTV
02 : Satellite DTV	10 : ATV
	ISDB-BS (Japan)
03 : ISDB-CS1 (Japan)	
04 : ISDB-CS2 (Japan)	
11 : CATV	
20 : AV or AV1	21 : AV2
40 : Component1	41 : Component2
60 : RGB	
90 : HDMI1	91 : HDMI2
92 : HDMI3	93 : HDMI4

Ack [b][ ][Set ID][ ][OK/NG][Data][x]

\* This function depends on model and signal.

25. 3D(Command: x t) (only 3D models)  
(Depending on model)

► To change 3D mode for TV.

Transmission [x][t][ ][Set ID][ ][Data 00][ ][Data 01]  
 [ ][Data 02][ ][Data 03][Cr]

\* (Depending on model)

Data Structure

[Data 00]	00 : 3D On
	01 : 3D Off
	02 : 3D to 2D
	03 : 2D to 3D
[Data 01]	00 : Top and Bottom
	01 : Side by Side
	02 : Check Board
	03 : Frame Sequential
	04 : Column interleaving
	05 : Row interleaving
[Data 02]	00 : Right to Left
	01 : Left to Right
[Data 03]	3D Effect(3D Depth): Min : 00 - Max : 14
	(*transmit by Hexadecimal code)

- \* [Data 02], [Data 03] functions depend on model and signal.
- \* If [Data 00] is 00 (3D On), [Data 03] has no meaning.
- \* If [Data 00] is 01 (3D off) or 02 (3D to 2D), [Data 01], [Data 02] and [Data 03] have no meaning.
- \* If [Data 00] is 03 (2D to 3D), [Data 01] and [Data 02] have no meaning.
- \* If [Data 00] is 00 (3D On) or 03 (2D to 3D), [Data 03] works when 3D Mode (Genre) is manual only.
- \* All 3D pattern options ([Data 01]) may not be available according to broadcasting/video signal.

[Data 00]	[Data 01]	[Data 02]	[Data 03]
00	O	O	O
01	X	X	X
02	X	X	X
03	X	O	O

X : don't care

```
Ack [t][ ][Set ID][ ][OK][Data00][Data01][Data02][Data03][x][t][ ][Set ID][ ][NG][Data00][x]
```

#### 26. Extended 3D(Command: x v) (only 3D models) (Depending on model)

- ▶ To change 3D option for TV.

```
Transmission [x][v][ ][Set ID][ ][Data 00][ ][Data 01][Cr]
```

[Data 00] 3D option

- 00 : 3D Picture Correction
- 01 : 3D Depth (3D Mode is Manual Only)
- 02 : 3D Viewpoint
- 06 : 3D Color Correction
- 07 : 3D Sound Zooming
- 08 : Normal Image View
- 09 : 3D Mode (Genre)

[Data 01] It has own range for each 3D option determined by [Data 00].

#### 1) When [Data 00] is 00

- 00 : Right to Left
- 01 : Left to Right

#### 2) When [Data 00] is 01, 02

Data Min: 0 - Max: 14 (\*transmit by Hexadecimal code)

Data value range(0 - 20) converts Viewpoint range (-10 - +10) automatically (Depending on model)

- \* This option works when 3D Mode (Genre) is manual only.

#### 3) When [Data 00] is 06, 07

- 00 : Off
- 01 : On

#### 4) When [Data 00] is 08

- 00 : Revert to 3D video from 3D-to-2D converted 2D video
- 01 : Change 3D video to 2D video, except 2D-to-3D video

- \* If conversion condition doesn't meet, command is treated as NG.

#### 5) When [Data 00] is 09

- 00 : Standard
- 01 : Sport
- 02 : Cinema
- 03 : Extreme
- 04 : Manual
- 05 : Auto

```
Ack [v][ ][Set ID][ ][OK][Data00][Data01][x][v][ ][Set ID][ ][NG][Data00][x]
```

#### 27. Auto Configure (Command: j u) (Depending on model)

- ▶ To adjust picture position and minimize image shaking automatically. It works only in RGB (PC) mode.

```
Transmission [j][u][ ][Set ID][ ][Data][Cr]
```

Data 01 : To set Auto Configure

```
Ack [u][ ][Set ID][ ][OK/NG][Data][x]
```





# MANUAL DEL USUARIO

## Seguridad y Consultas

TELEVISOR LED\*

\* Los televisores con LED de LG tienen pantallas LCD con luces de fondo LED.

Lea atentamente este manual antes de poner en marcha el equipo y consérvelo para futuras consultas.

43UJ6300	49UJ6300	55UJ6300	60UJ6300	65UJ6300
43UJ6050	49UJ6050	55UJ6050	60UJ6050	65UJ6050
43UJ6350	49UJ6350	55UJ6350	60UJ6350	65UJ6350


[www.lg.com](http://www.lg.com)


## ¡Advertencia! Instrucciones de Seguridad Importantes

Lea estas instrucciones. Conserve estas instrucciones.  
Preste atención a las advertencias. Siga todas las instrucciones.



**PRECAUCIÓN :** PARA REDUCIR EL RIESGO DE DESCARGAS ELÉCTRICAS, NO quite la cubierta (o la parte posterior). El usuario no puede cambiar ni reparar los componentes internos. Consulte únicamente al personal de servicio calificado.

 El símbolo tiene como fin alertar al usuario sobre la presencia de voltaje peligroso sin aislamiento dentro del compartimiento del producto que puede tener la potencia suficiente como para representar un riesgo de descargas eléctricas para los usuarios.

 El símbolo tiene como fin alertar al usuario sobre la presencia de instrucciones importantes de funcionamiento y mantenimiento (servicio) en la documentación que se incluye con el dispositivo.

**ADVERTENCIA :** PARA REDUCIR EL RIESGO DE INCENDIOS O DESCARGAS ELÉCTRICAS, NO exponga el producto a la lluvia o la humedad.

- No use el aparato cerca del agua.
- Limpie únicamente con un paño seco.
- No tape ni bloquee las aberturas de ventilación. Realice la instalación siguiendo las instrucciones del fabricante.
- No instale el producto cerca de fuentes de calor como radiadores, rejillas de calefacción central, estufas u otro tipo de aparatos que emitan calor (incluidos los amplificadores).
- No anule el propósito de seguridad del enchufe polarizado o del enchufe a tierra. Un enchufe polarizado tiene dos clavijas, una más ancha que la otra. Un enchufe a tierra tiene dos clavijas y un tercer terminal de puesta a tierra. La clavija ancha o el terminal de puesta a tierra se proveen para proteger al usuario. Si el enchufe del equipo no entra en la toma, consulte a un electricista para cambiar el tomacorriente.

- Asegúrese de que el cable de alimentación esté protegido para evitar que lo pisen o aplasten, especialmente en los enchufes, los tomacorrientes o el punto de salida desde el aparato.
- Use únicamente los accesorios recomendados por el fabricante.
- Use el producto únicamente en mesas portátiles, pies, trípodes, soportes o mesas indicados por el fabricante o provistos con el aparato. Al emplear una mesa portátil, tenga cuidado al moverla con el aparato encima, para evitar daños por caídas.



- Desenchufe el aparato durante tormentas eléctricas o si no planea usarlo durante un periodo prolongado.
- Consulte todas las cuestiones de servicio de mantenimiento al personal de servicio calificado. El servicio es necesario cuando el aparato sufre algún tipo de daño, por ejemplo, cuando un cable de suministro eléctrico o un conector está dañado, se derrama líquido o se cae un objeto dentro del aparato, el aparato se expone a la lluvia o a la humedad, no funciona en forma normal o sufre una caída.
- No ejerza demasiada presión sobre el panel con la mano ni con objetos punzantes, como un clavo, una lapicera o un lápiz, ni raye la superficie.
- No inserte objetos de metal u otro material conductor en el cable de alimentación. No toque el extremo del cable de alimentación mientras esté enchufado.
- Mantenga el material de empaque contra la humedad y el empaque de vinilo fuera del alcance de los niños. El material contra la humedad es dañino si se ingiere. Si se ingiere por error, se debe inducir el vómito e ir al hospital más cercano. Además, el empaque de vinilo puede provocar asfixia. Manténgalo fuera del alcance de los niños.
- Con respecto al cable de alimentación (puede variar según el país): Consulte la página de especificaciones en el manual del usuario para cerciorarse de los requisitos actuales. No conecte demasiados aparatos a la misma toma de ca, dado que podría provocar incendios o descargas eléctricas. No sobrecargue los tomacorrientes de la pared. Asegúrese de que los tomacorrientes de la pared no estén sobrecargados, sueltos ni dañados, y que los alargues, los cables de alimentación y el aislamiento de los cables no estén desgastados, ya que estas condiciones son peligrosas. Cualquiera de estos casos podría

provocar incendios o descargas eléctricas. Examine regularmente el cable del aparato; si le parece que está dañado o deteriorado, desenchúfelo y no use más ese cable. Llame al personal de servicio técnico autorizado para que lo reemplace por uno exactamente igual. Proteja el cable de alimentación de daños físicos o mecánicos, es decir, que no se tuerza, doble, deforme, que no quede atrapado al cerrar una puerta y que no lo pisen. Preste especial atención a los enchufes, tomacorrientes de la pared y al punto de salida del cable en el aparato. No mueva el televisor con el cable de alimentación enchufado. No use un cable de alimentación que esté suelto o dañado. Al desenchufar el cable, asegúrese de hacerlo desde el enchufe. No tire del cable para desenchufar el televisor.

- Para disminuir los riesgos de incendio o descargas eléctricas, no exponga el producto a la lluvia, la humedad u otro tipo de líquidos. No toque el televisor con las manos mojadas. No instale el producto cerca de objetos inflamables como combustible o velas, ni lo exponga al aire acondicionado directo.
- No utilice equipo de alto voltaje cerca de la TV, (por ejemplo, eliminador de insectos eléctrico). Esto puede causar que el producto funcione mal.
- No exponga el producto a ningún tipo de goteo ni salpicaduras, y no coloque sobre o por encima del televisor (por ejemplo, en estantes que pudieran encontrarse arriba de la unidad) ningún tipo de objeto que contenga líquido, como floreros, tazas, etc.
- **Puesta a tierra**  
(Excepto dispositivos sin conexión a tierra.)  
Asegúrese de que el cable de puesta a tierra esté conectado para evitar descargas eléctricas (es decir, un televisor con un enchufe de ca de tres clavijas debe conectarse a un tomacorriente de ca con puesta a tierra de tres clavijas). Si no puede colocarse ninguna puesta a tierra, solicite a un electricista calificado que instale un disyuntor. No intente improvisar una puesta a tierra con conexiones a cables de teléfono, pararrayos o tuberías de gas.
- Mientras la unidad esté conectada al tomacorriente de ca de la pared, no se desconectará de la fuente de alimentación de ca aún cuando el aparato esté apagado.
- No intente modificar este producto de ninguna manera sin autorización previa por escrito de LG Electronics. Cualquier tipo de modificación sin autorización previa podría anular la autoridad del usuario para usar el producto.
- **Puesta a tierra con una antena exterior**  
(puede variar según el país):  
Si instala una antena exterior, tome las siguientes precauciones. No se debe instalar el sistema de antena exterior cerca de las líneas aéreas de

transmisión de energía, de ningún circuito o luz eléctrica, ni en ningún lugar donde pudiera entrar en contacto con este tipo de cables eléctricos o circuitos, dado que podría provocar daños graves o incluso la muerte. Asegúrese de que el sistema de antena tenga una puesta a tierra para proteger contra sobretensiones y acumulaciones de cargas estáticas. La Sección 810 del Código Nacional de Electricidad (NEC) de los Estados Unidos establece la forma de realizar una puesta a tierra correcta del mástil, de la estructura de soporte, del cable de bajada a una unidad de descarga de la antena, el tamaño de los conductores de puesta a tierra, la ubicación de la unidad de descarga de la antena, y la conexión y los requisitos de los electrodos de puesta a tierra.

#### **Puesta a tierra de la antena según el Código Nacional de Electricidad, ANSI/NFPA 70**

##### • **Traslados**

Asegúrese de que el aparato esté apagado, desenchufado y que no quede ningún cable conectado. Es posible que se necesiten dos personas para trasladar los televisores de gran tamaño. No ejerza presión ni empuje el panel frontal del televisor.

##### • **Ventilación**

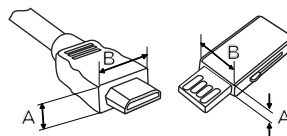
Instale el televisor en un lugar bien ventilado. No lo coloque en un lugar cerrado como, por ejemplo, un estante para libros. No cubra el producto con telas ni ningún otro material mientras esté enchufado. No lo instale en lugares con demasiado polvo.

- Tenga cuidado de no tocar las aberturas de ventilación. Al mirar televisión durante largos periodos, las aberturas de ventilación pueden calentarse. Esto no afecta el rendimiento ni causa defectos en el producto.
- Si huele humo u otros olores que provienen de la TV, desconecte el cable de alimentación y comuníquese con un centro de servicio autorizado.
- Si el agua u otra sustancia entra al producto (como un adaptador de ca, cable de alimentación, o la TV), desconecte el cable de alimentación y comuníquese inmediatamente con el centro de servicio. No hacerlo podría provocar un incendio o una descarga eléctrica.
- No instale este producto en una pared si podría ser expuesto a aceite o vapor de aceite. Esto podría dañar el producto y hacer que se caiga.
- Utilice sólo un adaptador de ca y el cable de alimentación autorizado por LG Electronics. No hacerlo podría provocar un incendio, una descarga eléctrica, fallas o deformaciones del producto.
- Nunca desarme el adaptador de ca o el cable de alimentación. Esto podría provocar un incendio o descargas eléctricas.

- Maneje el adaptador cuidadosamente para evitar dejarlo caer o golpearlo. Un golpe podría dañar el adaptador.
- Mantenga el aparato alejado de la luz solar directa.
- Nunca toque el aparato o la antena durante una tormenta eléctrica o con truenos.
- Al montar el televisor en la pared, asegúrese de que los cables de alimentación y de señal no queden colgando en la parte posterior.
- No permita que se golpee el producto o que algún objeto se caiga dentro de él, ni que se golpee la pantalla.
- **DESCONEXIÓN DEL DISPOSITIVO DE LA ALIMENTACIÓN PRINCIPAL**  
El enchufe de alimentación se desconecta del dispositivo. En caso de una emergencia, el enchufe debe estar siempre accesible.
- Asegúrese de que el cable de alimentación esté firmemente conectado a la clavija del enchufe en el televisor.
- **Baterías**  
Guarde los accesorios (baterías, etc.) en un lugar seguro lejos del alcance de los niños.
- Este aparato usa baterías. Puede ser que en su comunidad existan normativas que requieren que deseches estas baterías de forma correcta debido a las consideraciones ambientales. Póngase en contacto con la autoridad local para obtener información acerca del desecho o reciclaje.
- No deseches las baterías en el fuego.
- No provoque cortes de circuitos, desarme ni permita que las baterías se sobrecalienten.
- **Limpieza**  
Al efectuar la limpieza, desenchufe el cable de alimentación y limpie suavemente con un paño suave para no rayar la superficie. No rocíe con agua ni otros líquidos directamente sobre el televisor, dado que podría provocar una descarga eléctrica. No limpie con productos químicos como alcohol, diluyentes o bencina.

## Preparación

- Cuando se enciende la TV por primera vez después de ser enviada desde la fábrica, la inicialización de la TV puede tardar aproximadamente un minuto.
- La imagen puede ser diferente a la de su televisor.
- El OSD (On Screen Display, Despliegue En la Pantalla) de su TV puede ser un poco diferente que este manual.
- Los menús y las opciones disponibles pueden variar según la fuente de entrada que utilice.
- Es posible que se agreguen nuevas funciones a este televisor en el futuro.
- Los artículos suministrados con el producto adquirido pueden variar según el modelo.
- Es posible que cambien las especificaciones del producto o el contenido del manual sin previo aviso debido a las actualizaciones de las funciones del producto.
- Para que la conexión sea óptima, los cables HDMI y los dispositivos USB tienen que tener biseles que no superen los 10 mm (0,39 pulgadas) de espesor y 18 mm (0,7 pulgadas) de ancho.
- Utilice un cable de extensión que sea compatible con USB 2.0 en caso de que el cable USB o la tarjeta de memoria USB no encajen en el puerto USB del TV.
- Utilice un cable certificado con el logotipo de HDMI adjunto. Si no utiliza un cable HDMI certificado, es posible que la pantalla no muestre imágenes o que ocurra un error de conexión.
- Tipos de cable HDMI recomendados (3m o menos)
  - Cable HDMI®/™ de alta velocidad
  - Cable HDMI®/™ de alta velocidad con Ethernet



\*A ≤ 10 mm (0,39 pulgadas)

\*B ≤ 18 mm (0,7 pulgadas)

- No use ningún producto no autorizado para garantizar la seguridad y la vida útil del producto.
- Ningún daño o lesiones por el uso de elementos no autorizados están cubiertos por la garantía.
- Algunos modelos parecen tener un plástico fino sobre la pantalla. Esta forma parte de la pantalla, así que no la retire.
- Al instalar la base del televisor, ponga la pantalla hacia abajo sobre una mesa acolchada o una superficie plana para evitar rayas.

- Asegúrese de que los tornillos estén completamente ajustados. (Si no están lo suficientemente ajustados, el TV puede inclinarse hacia delante después de instalarse.)
- No ajuste los tornillos con demasiada fuerza, de lo contrario, se pueden desgastar y aflojar.
- Asegúrese de estrujar el exceso de agua o limpiador del paño.
- No rocíe agua o limpiador directamente en la pantalla de la televisión.
- Asegúrese de rociar suficiente agua o limpiador en un paño seco para limpiar la pantalla.

## Levantar y trasladar el televisor

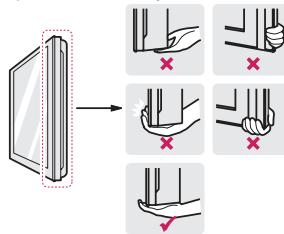
Si desea levantar o trasladar el televisor, lea las instrucciones a continuación para no rayar o dañar el aparato, y para transportarlo de forma segura, independientemente del tamaño o tipo de aparato.

- Se recomienda trasladar el televisor en la caja o el material de empaque en el que lo recibió al comprarlo.
- Antes de mover o levantar el televisor, desconecte el cable de alimentación y el resto de los cables.

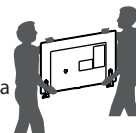
- Cuando sostenga el televisor, la pantalla debe quedar alejada de usted para evitar algún daño.



- Sostenga con firmeza la parte superior e inferior del marco del televisor. Asegúrese de no sostenerlo por la parte transparente, por la bocina o por el área de rejillas de las bocinas.



- Utilizar al menos dos personas para mover un televisor grande.
- Al transportar el televisor con las manos, sosténgalo como se indica en esta ilustración.



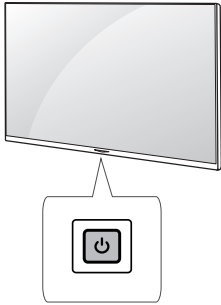
- Al transportar el televisor, no lo someta a sacudones o vibración excesiva.
- Al transportar el televisor manténgalo en posición vertical, nunca lo apoye sobre uno de los costados, ni lo incline hacia la derecha o la izquierda.
- Cuando manipule la televisión, tenga cuidado de no dañar los botones salientes.



- No toque la pantalla. De lo contrario, podría dañarla.
- No coloque el producto en el piso con la parte frontal hacia abajo sin una almohadilla. Al hacerlo puede causar daños a la pantalla.
- No mueva el televisor tirando del sujetacables y organizador de cables, debido a que el sujetador del cable se puede romper, y causar daños en el televisor. (Según el modelo)

## Uso del botón

Puede operar la televisión con el botón.



## Funciones Básicas

	Encendido (presionar)
	Apagado <sup>1</sup> (mantener presionado)
	Control de menú (Presionar <sup>2</sup> )
	Selección de menú (Mantener presionado <sup>3</sup> )

- 1 Todas las aplicaciones se cerrarán.
- 2 Si presiona el botón cuando la televisión está encendida, puede acceder al menú y ajustarlo.
- 3 Puede utilizar la función cuando accede al control de menú.

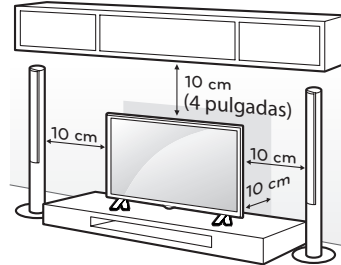
## Ajustar el Menú

Mientras la televisión está encendida, presione una vez el botón . Puede ajustar los elementos del menú con los botones.

	Apagar alimentación.
	Accesar a las fuentes de entrada.
	Permite desplazarse por los canales guardados.
	Ajusta el nivel del volumen.

## Montar sobre una mesa

- 1 Levante el televisor y déjelo en posición vertical sobre la mesa.
  - Deje un espacio mínimo de 10 cm (4 pulgadas) entre el televisor y la pared para asegurar una ventilación adecuada.



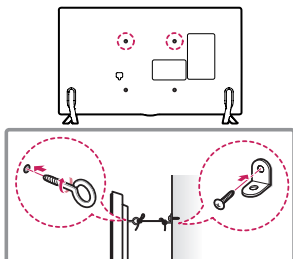
- 2 Conecte el cable de alimentación al tomacorriente de la pared.



- No aplique sustancias extrañas (aceites, lubricantes, etc.) a las piezas de los tornillos para el montaje del producto. (Se podría dañar el producto.)

## Fijar el televisor a la pared

(Según el modelo)



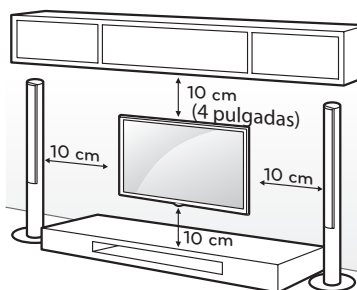
- 1 Inserte y ajuste los tornillos de ojo del televisor en su parte posterior.
  - En caso de que haya tornillos insertados, primero retirelos.
- 2 Utilice los tornillos para colocar los soportes correspondientes en la pared. Acople el soporte de la pared con los tornillos de ojo a la parte posterior del televisor.
- 3 Conecte los tornillos de ojo y los soportes con un cordón fuerte y ajústelos con firmeza. Asegúrese de mantener el cordón en posición horizontal a la superficie plana.



- Asegúrese de que los niños no se suban al televisor ni se cuelguen de él.
- Utilice una plataforma o un armario que sea lo suficientemente fuerte y grande para sostener el televisor de manera segura.
- Los soportes, los tornillos y los cordones son opcionales. Puede solicitar otros accesorios a través de su distribuidor local.

## Montar en la pared

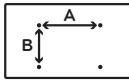
Se puede usar un soporte de pared opcional con el televisor LG. Consulte al distribuidor local para adquirir un soporte de pared que cumpla con el estándar VESA que usa su modelo de TV. Cuidadosamente coloque el soporte de pared en la parte posterior del TV. Instale el soporte de pared en una pared sólida, perpendicular al piso. Si va a instalar el TV sobre otros materiales de construcción, póngase en contacto con personal técnico calificado para instalar el soporte de pared. El soporte de pared incluirá instrucciones detalladas. Recomendamos que use un soporte de pared de marca LG. El soporte de pared LG hace que sea fácil ajustar o conectar los cables. Cuando no utilice el soporte de montaje de pared LG, por favor, utilice un soporte de montaje de pared en el que el dispositivo esté debidamente sujeto a la pared con el espacio suficiente para permitir la conectividad con dispositivos externos. Si utiliza un soporte no ajustable, instale el soporte en la pared. Primero, conecte los cables a la TV, luego instale la TV en el soporte.



Asegúrese de usar tornillos y soportes de pared que cumplan con el estándar VESA. En la tabla siguiente se detallan las dimensiones de los conjuntos de montaje de pared.

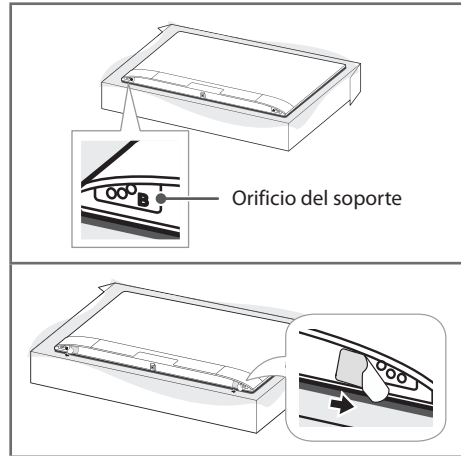
<b>Modelo</b>	43UJ6300	49UJ6300
	43UJ6050	49UJ6050
	43UJ6350	49UJ6350
		55UJ6300
		55UJ6050
	55UJ6350	
<b>VESA (A x B)</b>	200 x 200 mm	300 x 300 mm
<b>Tornillo estándar</b>	M6	M6
<b>Cantidad de tornillos</b>	4	4
<b>Soporte de pared (opcional)</b>	LSW240B MSW240	LSW350B MSW240

<b>Modelo</b>	60UJ6300
	60UJ6050
	60UJ6350
	65UJ6300
	65UJ6050
	65UJ6350
<b>VESA (A x B)</b>	300 x 300 mm
<b>Tornillo estándar</b>	M6
<b>Cantidad de tornillos</b>	4
<b>Soporte de pared (opcional)</b>	LSW350B



- Antes de montar el televisor en la pared, retire la base, realizando la instalación de ésta en orden inverso.

- Cuando utilice el soporte de pared, se recomienda aplicar un pedazo de cinta sobre los orificios del soporte para evitar que el polvo y los insectos entren en los orificios. (Según el modelo)



## Conexiones (Notificaciones)

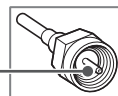
Se pueden conectar dispositivos externos al TV. Los dispositivos externos compatibles son: receptores de HD, reproductores de DVD, VCR, sistemas de audio, dispositivos de almacenamiento USB, PC, dispositivos de juegos, etc. Para más información acerca de la conexión de dispositivos externos, diríjase al manual que viene con cada dispositivo.

- Si graba un programa de TV en una grabadora de DVD o VCR, asegúrese de conectar el cable de entrada de señal al televisor a través una grabadora de DVD o VCR. Para obtener más información acerca de la grabación, consulte el manual proporcionado con el dispositivo conectado.
- Las conexiones de dispositivos externos que se muestran pueden ser levemente diferentes de las ilustraciones en el manual.
- Conecte los dispositivos externos al televisor independientemente del orden del puerto del aparato.
- Si conecta un dispositivo de juego al televisor, utilice el cable provisto con un dispositivo de juego.
- Consulte el manual del equipo externo para ver las instrucciones de funcionamiento.
- En el modo PC, es posible que haya ruido asociado con la resolución, los patrones verticales, el contraste o el brillo. Si se producen ruidos, cambie la resolución de la salida de la PC, cambie la frecuencia de actualización o ajuste el brillo y el contraste en el menú **Imagen** hasta que la imagen mejore. En función de la tarjeta gráfica, es posible que algunas configuraciones de la resolución no permitan que la imagen se ubique en la pantalla de forma correcta.
- Es posible que algunos concentradores USB no funcionen. Si no se detecta un dispositivo USB conectado a través de un concentrador USB, conéctelo directamente al puerto USB de la televisión.
- La televisión puede ser capaz de funcionar sin el decodificador de un distribuidor de programación de video multicanal (MVPD).
- Cuando se conecta a través de una red LAN por cable, se recomienda utilizar un cable CAT 7.

## Conexión de una antena o un cable

Para ver televisión, conecte una antena, un cable o un decodificador. Las ilustraciones pueden diferir de los elementos reales y el cable RF es opcional.

- Asegúrese de no doblar el alambre de cobre del cable de RF.



Alambre de cobre

- Utilice un divisor de señal para usar 2 televisores o más.
- Códec compatible con Audio DTV: MPEG, Dolby Digital.
- Esta televisión no puede recibir transmisiones ULTRA HD (3 840 x 2 160 píxeles) directamente, ya que los estándares relacionados no han sido confirmados. (Según el modelo)

## Otras conexiones

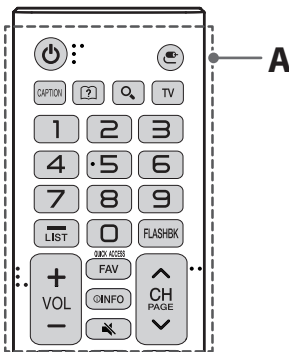
Conecte su TV a dispositivos externos. Para tener una mejor calidad de imagen y audio, conecte el dispositivo externo y el televisor con el cable HDMI tal como se muestra. Según el modelo, es posible que no se incluya un cable.

-  **General > HDMI ULTRA HD Deep Color:**
  - Encendido : Compatible con 4K a 60 Hz (4:4:4, 4:2:2, 4:2:0)
  - Apagado: Compatible con 4K a 60 Hz 8 bit (4:2:0)
- Si el dispositivo conectado al puerto de entrada también es compatible con ULTRA HD Deep Color, la imagen se verá más nítida. Sin embargo, si el dispositivo no es compatible, no funcionará de manera correcta. En ese caso, conecte el dispositivo a un puerto HDMI diferente o cambie la configuración **HDMI ULTRA HD Deep Color** de la televisión a Apagado.
- Formato de audio compatible con HDMI: DTS (44,1 kHz / 48 kHz), Dolby Digital / Dolby Digital Plus (32 kHz / 44,1 kHz / 48 kHz), PCM (32 kHz / 44,1 kHz / 48 kHz / 96 kHz / 192 kHz) (según el modelo)

## Control remoto

(Algunos botones y servicios pueden no proporcionarse dependiendo de los modelos o regiones.)

Las descripciones en este manual se basan en los botones en el control remoto. Lea atentamente este manual y siga las instrucciones de uso. Para reemplazar las baterías, abra la tapa de las baterías, coloque otras baterías (AAA de 1,5 Vcc) y haga coincidir los extremos  $\oplus$  y  $\ominus$  con los de la etiqueta que se encuentra dentro del compartimiento. A continuación, cierre la tapa. Introducir las baterías sin hacer coincidir su polaridad puede causar filtraciones o quemar la batería, lo que podría provocar un incendio, lesiones en personas o contaminación ambiental. Para retirar las baterías, realice la acción de instalación a la inversa. Este control remoto utiliza luz infrarroja. Al usarlo, es necesario apuntarlo en dirección al sensor remoto del TV.



### A

- (Encendido)** Enciende o apaga el televisor.
- (Entrada)** Accesar a las fuentes de entrada.
- CAPTION** Activa o desactiva los subtítulos.
- (Guía del usuario)** Ver guía del usuario.
- (Búsqueda)** Muestra el modo de búsqueda.
- TV** Regresa al último canal de televisión.
- Botones Numerales** Permiten introducir números.
- QUICK ACCESS\*** Puede acceder a la aplicación o a los canales de TV en vivo utilizando los botones numéricos tal como se encuentran registrados.
- (Guión)** Inserta un guión entre los números, por ejemplo, 2-1 y 2-2.
- LIST** Acceder a la lista de canales guardados.

**FLASHBK** Permite alternar entre los dos últimos canales seleccionados (al presionarlo repetidamente).

**+ VOL -** Ajusta el nivel del volumen.

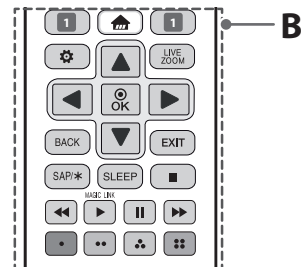
**FAV** Acceder a la lista de canales favoritos.

**INFO** Muestra información del programa actual.

Silencia todos los sonidos.

**CH** Permite desplazarse por los canales guardados.

**PAGE** Permite ir a la pantalla anterior o siguiente.



### B

**1 Botones para servicios de transmisión** Se conecta al servicio de transmisión de video.

**(Home)** Permite acceder al menú Home. (Si presiona y mantiene presionado el botón (Home), aparecerá el historial anterior.)

**(Configuración)** Permite acceder a la configuración.

**LIVE ZOOM** Cuando expande el área seleccionada, puede verla en pantalla completa.

**Botones de navegación** Permiten desplazarse por los menús o las opciones. (hacia arriba/abajo/derecha/izquierda)

Permite seleccionar menús u opciones y confirmar lo ingresado.

**BACK** Permite volver al nivel anterior.


**EXIT** Borra todo lo que muestra la pantalla y se regresa a ver la televisión.

**SAP/\*** Habilita la función SAP (Programa de audio secundario).

**SLEEP** Establece el periodo de tiempo hasta que el televisor se apague automáticamente.

Botones de control para contenido de medios

MAGIC LINK \* Proporciona contenido relacionado con el programa que está viendo actualmente.

 Estos accesos de funciones especiales son usados en algunos menús.

\* Para utilizar el botón, mantenga presionado durante más de tres segundos.

## Licencias

Las licencias admitidas pueden variar según el modelo. Para obtener más información sobre las licencias, visite [www.lg.com](http://www.lg.com).



## Software de código abierto

Para obtener el código fuente bajo GPL, LGPL, MPL y otras licencias de código abierto que contiene este producto, visite <http://opensource.lge.com>. Además del código fuente, se pueden descargar los términos de la licencia, las anulaciones de la garantía y los avisos de derechos de autor.

LG Electronics también le proporcionará el código fuente abierto en un CD-ROM con un cargo que cubra el costo de realizar tal distribución (como el costo de los medios, el envío y el manejo) con una previa solicitud por correo electrónico a [opensource@lge.com](mailto:opensource@lge.com). Esta oferta es válida durante tres (3) años a partir de la fecha de adquisición del producto.

## Configuración de control del dispositivo externo

Para obtener la información del control de dispositivo externo de configuración, por favor visite [www.lg.com](http://www.lg.com).

## Solución de problemas

- No se puede controlar el televisor con el control remoto.
  - Compruebe si puso cualquier cosa sobre el receptor, como por ejemplo cinta adhesiva.
  - Compruebe que no haya ningún obstáculo entre el producto y el control remoto.
  - Sustituya las baterías por unas nuevas.
- No se muestra ninguna imagen ni se emite sonido.
  - Compruebe si el producto está encendido.
  - Compruebe si el cable de alimentación está conectado a la toma de la pared.
  - Conecte otros productos para comprobar si hay un problema con la toma de la pared.
- El televisor se apaga de repente.
  - Compruebe la configuración del control de energía.  
Es posible que el suministro eléctrico se interrumpa.
  - Compruebe si **Temporizador de Apagado / Temporizador** no está activada en la configuración de **Temporizadores**.
  - Si no hay señal mientras el televisor está encendido, este se apagará automáticamente después de 15 minutos de inactividad.
- **Visualización anormal**
  - Si siente que el televisor está frío al tocarlo, es posible que ocurra un pequeño parpadeo cuando lo prenda. Se trata de algo normal y no significa que el televisor esté dañado. También es posible que aparezcan pequeños puntos en la pantalla, de color rojo, verde o azul. Sin embargo, no afectan el rendimiento del televisor. No toque la pantalla LCD ni coloque los dedos sobre ella durante mucho tiempo. Esto podría producir algunos efectos de distorsión temporales en la pantalla.
  - Este panel es un producto avanzado que contiene millones de píxeles. En raras ocasiones, es posible que note la presencia de pequeños puntos en la pantalla mientras mira televisión. Estos puntos son píxeles desactivados y no afectan el rendimiento ni la fiabilidad del televisor.
  - Emitir una imagen durante un período largo puede provocar que la imagen se fije. Evite emitir una imagen fija en la pantalla del televisor durante un período largo.

- **Reproducción de ruidos**

- **Crujidos es posible** que se produzcan crujidos cuando esté mirando televisión o al apagar el televisor; se trata de un ruido generado por la contracción térmica del plástico debido a la temperatura y la humedad. Este ruido es común en productos donde se requiere la deformación térmica.
- **Zumbidos en el circuito eléctrico o el panel** se trata de un ruido de bajo nivel, generado por un circuito de conmutación de alta velocidad, que suministra una gran cantidad de corriente para que un producto pueda funcionar. Varía según cada producto. Este ruido no afecta el rendimiento ni la fiabilidad del producto.

## Especificaciones

Las especificaciones del producto pueden cambiar sin previo aviso debido a las actualizaciones de las funciones de los productos.

El consumo de energía anual estimado indicado en la etiqueta de la FTC se mide de acuerdo con los procedimientos de prueba para televisores (Solo EE. UU.).

El consumo de energía real depende del entorno de uso (El contenido que se visualiza, la configuración del televisor, etc.).

### Sistema de televisión

ATSC, NTSC-M, 64 & 256 QAM

### Cobertura de programas

VHF 2-13, UHF 14-69, DTV 2-69, CATV 1-135, CADTV 1-135

### Impedancia de antena externa

75 Ω

### Condición de ambiente

- **Temperatura de funcionamiento**  
0 °C a 40 °C
- **Humedad de funcionamiento**  
Menos de 80 %
- **Temperatura de almacenamiento**  
-20 °C a 60 °C
- **Humedad de almacenamiento**  
Menos de 85 %

## Módulo inalámbrico

Módulo inalámbrico LG (LGSWFAC71)	
Especificación	
Inalámbrico LAN (IEEE 802.11a/b/g/n/ac)	
Rango de frecuencias	Potencia de salida (máxima)
2 400 a 2 483,5 MHz	15 dBm
5 150 a 5 725 MHz	14,5 dBm
5 725 a 5 850 MHz	14,5 dBm

- Debido a que las bandas de canales pueden variar según el país, el usuario no puede cambiar o ajustar la frecuencia operativa. Este producto está configurado para la tabla de frecuencias regional.
- Para que el usuario tenga en cuenta, este dispositivo solo se debe instalar y utilizar a una distancia mínima de 20 cm (7,8 pulgadas) entre el dispositivo y el cuerpo.
- FCC ID : BEJLGSWFAC71  
IC : 2703H-LGSWFAC71
- Registro IFT : RCPLGLG16-1671

## Regulación

### AVISO DE LA FCC

(Para Estados Unidos)

Este equipo ha sido evaluado y cumple con los límites para dispositivos digitales clase B, conforme el artículo 15 de las reglas de la FCC. Estos límites han sido diseñados para brindar una protección razonable contra la interferencia dañina en una instalación residencial. Este equipo genera, utiliza y puede irradiar energía de radiofrecuencia y, si no se instala y no se utiliza de acuerdo con las instrucciones, podría causar interferencia dañina a las comunicaciones radiales. Sin embargo, no existe garantía de que la interferencia no se produzca en una instalación en particular. Si este equipo ocasiona interferencia dañina en la recepción de radio o televisión (lo cual puede determinarse encendiendo y apagando el equipo), se recomienda al usuario que intente corregir la interferencia tomando una o más de las siguientes medidas:

- Reoriente o reubique la antena receptora.
- Aumente la distancia entre el equipo y el receptor.
- Conecte el equipo en un tomacorriente de un circuito diferente de aquél al que esté conectado el receptor.
- Consulte al distribuidor o a un técnico de radio/TV experimentado para obtener ayuda.

Este dispositivo cumple con el artículo 15 de las reglas de la FCC. El funcionamiento está sujeto a las siguientes dos condiciones: (1) este dispositivo no puede causar interferencia dañina y (2) este dispositivo debe aceptar cualquier interferencia que reciba, incluida la interferencia que pueda causar un funcionamiento no deseado. Cualquier tipo de modificación o cambio en la construcción del dispositivo sin autorización expresa del supervisor responsable podría anular la autoridad del usuario para utilizar el producto.

### Requisitos de interferencia de radiofrecuencia de la FCC (para dispositivos UNII)

Los radares de alta potencia se encuentran asignados como los usuarios principales de las bandas de 5,25 a 5,35 GHz y 5,65 a 5,85 GHz. Estas estaciones de radar pueden causar interferencia y dañar este dispositivo. Este dispositivo no puede ser colocado cerca de ningún otro transmisor.

### Declaración de exposición a la radiación de RF de la FCC

[Para tener acceso a la función inalámbrica (WLAN, Bluetooth,...)]

Este equipo cumple con los límites de exposición a la radiación de la FCC establecidos para un entorno no controlado. Este transmisor no debe ser colocado u operado junto con ningún otro transmisor o antena. Este equipo debe instalarse y operarse con una distancia mínima de 20 cm (7,8 pulgadas) entre el radiador y su cuerpo. Los usuarios deben seguir las instrucciones de funcionamiento específicas para asegurar el cumplimiento de las disposiciones sobre la exposición a la RF.

### Declaración de Industry Canada

(Para Canadá)

[Para tener acceso a la función inalámbrica (WLAN, Bluetooth,...)]

Este dispositivo cumple con los formatos RSS aplicables que no exigen licencia de Industry Canada. El funcionamiento está sujeto a las siguientes dos condiciones:

- (1) Es posible que este dispositivo no provoque interferencias y
- (2) Este dispositivo debe aceptar todo tipo de interferencias, incluso aquellas que pueden ocasionar un funcionamiento no deseado del dispositivo.

### Declaración de exposición a la radiación de IC

(Para Canadá)

[Para tener acceso a la función inalámbrica (WLAN, Bluetooth,...)]

Este equipo cumple con los límites de exposición a la radiación de IC establecidos para un entorno no controlado. Este equipo debe instalarse y operarse con una distancia mínima de 20 cm (7,8 pulgadas) entre el radiador y su cuerpo.

**NOTA : EL FABRICANTE NO ES RESPONSABLE DE INTERFERENCIA DE RADIO O TV PROVOCADOS POR MODIFICACIONES NO AUTORIZADAS A ESTE EQUIPO. TALES MODIFICACIONES PUEDEN ANULAR LA CAPACIDAD DEL USUARIO PARA OPERAR EL EQUIPO.**

(Para Canadá)

[Para productos que cuentan con la función inalámbrica que utilizan las bandas de frecuencia de 5 GHz]

- El dispositivo en la banda de 5 150 a 5 250 MHz es solo para ser utilizado en interiores, así se reduce el potencial de la interferencia dañina de canales adyacentes en los sistemas satelitales móviles;
- En el caso de dispositivos con antena desmontable, la ganancia de antena máxima permitida para dispositivos dentro de las bandas de 5 250 a 5 350 MHz y 5 470 a 5 725 MHz debe cumplir con el límite p.i.r.e.;
- En el caso de dispositivos con antena desmontable, la ganancia de antena máxima permitida para dispositivos dentro de la banda de 5 725 a 5 850 MHz debe cumplir con los límites p.i.r.e. especificados para funcionamiento de punto a punto y que no sea de punto a punto, según corresponda; y
- El peor caso de ángulo de inclinación necesario para cumplir con el requisito de máscara de elevación necesaria de p.i.r.e. establecido en la sección 6.2.2(3) se debe indicar con claridad. (Dispositivos que operan dentro de la banda de 5 250 a 5 350 MHz con un límite p.i.r.e. superior a 200 mW)
- Los radares de alta potencia se encuentran asignados como los usuarios principales (por ejemplo, usuarios prioritarios) de las bandas de 5 250 a 5 350 MHz y 5 650 a 5 850 MHz y estos radares pueden causar interferencia y dañar los dispositivos LE-LAN.

### NOTA PARA EL INSTALADOR DE CATV

(Para Estados Unidos y Canadá)

Se recomienda al instalador de televisión por cable (CATV) que consulte el Artículo 820-40 del Código Nacional de Electricidad de los Estados Unidos. El código establece las disposiciones para efectuar una puesta a tierra correcta, y en especial, indica que el cable de puesta a tierra debe conectarse al sistema de puesta a tierra del edificio lo más cerca posible del punto de entrada del cable.







### ¡ADVERTENCIA!

Nunca coloque una televisión en un lugar inestable. Se puede caer y provocar lesiones graves o la muerte. Puede evitar muchas lesiones, especialmente en niños, con tan solo tomar simples precauciones, como:

- Usar los gabinetes o soportes recomendados por el fabricante de la televisión.
- Apoyar la televisión solamente sobre muebles que soporten su peso.
- Asegurarse de que la televisión no quede colgando al borde del mueble.
- No colocar la televisión sobre un mueble alto (por ejemplo, despensas o estantes) sin anclar tanto el televisor como el mueble a un soporte adecuado.
- No colocar telas u otros materiales debajo de la televisión cuando se apoya sobre el mueble.
- Enseñar a los niños los peligros de escalar el mueble para alcanzar la televisión o sus controles.

Si va a conservar su televisión y reubicarla, debe tener en cuenta las mismas consideraciones anteriores.

### Símbolos

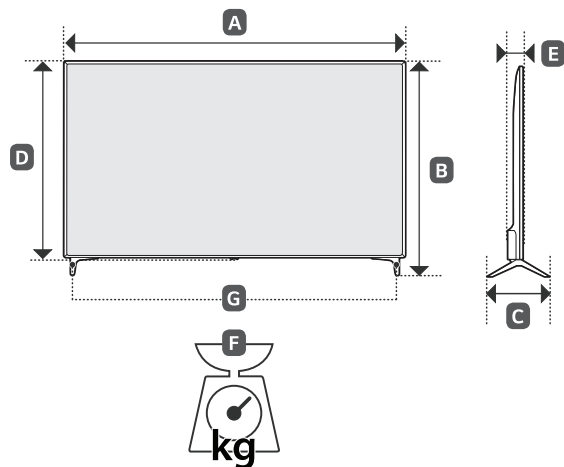
	Se refiere a la corriente alterna (ca).
	Se refiere a la corriente continua (cc).
	Se refiere a los equipos clase II.
	Se refiere al modo de espera.
	Se refiere a "ENCENDIDO" (alimentación).
	Se refiere a voltaje peligroso.

### IFT (Para México) [Para tener acceso a la función inalámbrica (WLAN, Bluetooth,...)]

La operación de este equipo está sujeta a las siguientes dos condiciones:

- (1) es posible que este equipo o dispositivo no cause interferencia perjudicial y
- (2) este equipo o dispositivo debe aceptar cualquier interferencia, incluyendo la que pueda causar su operación no deseada.

(La imagen puede ser diferente a la de su televisor.)



**A, B, C, D, E** : mm (pulgadas)  
**F, G** : kg (libras)

MODELOS	<b>A</b>	<b>B</b>	<b>C</b>	<b>D</b>	<b>E</b>	<b>F</b>	<b>F - G</b>	Corriente de consumo / Consumo de potencia
43UJ6300-UA 43UJ6050-UC 43UJ6350-UC	977 (38,4)	615 (24,2)	187 (7,3)	575 (22,6)	80,8 (3,1)	8,4 (18,5)	8,3 (18,2)	1,0 A / 100 W
49UJ6300-UA 49UJ6050-UC 49UJ6350-UC	1 110 (43,7)	705 (27,7)	235 (9,2)	650 (25,5)	81,1 (3,1)	11,4 (25,1)	11,3 (24,9)	1,2 A / 120 W
55UJ6300-UA 55UJ6050-UC 55UJ6350-UC	1 249 (49,1)	785 (30,9)	235 (9,2)	730 (28,7)	83,4 (3,2)	14,3 (31,5)	14,2 (31,3)	1,55 A / 155 W
60UJ6300-UA 60UJ6050-UC 60UJ6350-UC	1 359 (53,5)	852 (33,5)	255 (10,0)	791 (31,1)	82,9 (3,2)	17,6 (38,8)	17,4 (38,3)	1,85 A / 185 W
65UJ6300-UA 65UJ6050-UC 65UJ6350-UC	1 471 (57,9)	915 (36,0)	255 (10,0)	855 (33,6)	83,4 (3,2)	22,5 (49,6)	22,3 (49,1)	2,0 A / 200 W
<b>Alimentación requerida</b>					AC 100 - 240 V ~ 50 / 60 Hz			

ESPAÑOL



Los números de modelo y de serie del televisor se encuentran ubicados en la parte posterior del aparato. Regístrelos en el siguiente espacio por si alguna vez necesita recurrir al servicio técnico.

MODELO \_\_\_\_\_  
SERIE \_\_\_\_\_



MANUAL DEL USUARIO

# CONFIGURACIÓN DE DISPOSITIVOS DE CONTROL EXTERNOS

Lea atentamente este manual antes de poner en funcionamiento el equipo y consérvelo para futuras consultas.

## CÓDIGOS DE TECLA

- Esta función no está disponible en todos los modelos.

Código (Hexa)	Función	Nota	Código (Hexa)	Función	Nota
00	CH +, PR +	Botón RC	53	Lista	Botón RC
01	CH -, PR -	Botón RC	5B	Salir	Botón RC
02	Volumen +	Botón RC	60	PIP(AD)	Botón RC
03	Volumen -	Botón RC	61	Azul	Botón RC
06	> (Tecla de flecha / Tecla derecha)	Botón RC	63	Amarillo	Botón RC
07	< (Tecla de flecha / Tecla izquierda)	Botón RC	71	Verde	Botón RC
08	Encendido	Botón RC	72	Rojo	Botón RC
09	Silencio	Botón RC	79	Relación/Relación de Aspecto	Botón RC
0B	Entrada	Botón RC	91	AD (Descripción audio)	Botón RC
0E	SLEEP	Botón RC	9E	LIVE MENU	Botón RC
0F	TV, TV/RAD	Botón RC	7A	Guía del usuario	Botón RC
10 - 19	* Tecla Número 0 - 9	Botón RC	7C	Smart / Inicio	Botón RC
1A	Q.View/Flashback	Botón RC	7E	SIMPLINK	Botón RC
1E	FAV (Canal favorito)	Botón RC	8E	▶▶ (Adelantar)	Botón RC
20	Texto (Teletexto)	Botón RC	8F	◀◀ (Retroceder)	Botón RC
21	T. Opt (Opción teletexto)	Botón RC	AA	Info	Botón RC
28	Regresar (ATRÁS)	Botón RC	AB	Guía de Programación	Botón RC
30	Modo AV (Audio/Video)	Botón RC	B0	▶ (Reproducir)	Botón RC
39	Subtítulo	Botón RC	B1	■ (Detener / Lista Archivo)	Botón RC
40	^ (Tecla de flecha/Cursor arriba)	Botón RC	B5	RECENT	Botón RC
41	V (Tecla de flecha/Cursor arriba)	Botón RC	BA	(Congelar / Reproducción lenta / Pausa)	Botón RC
42	Mis Apls.	Botón RC	BB	Fútbol	Botón RC
43	Menú / Configuración	Botón RC	BD	● (GRABAR)	Botón RC
44	OK / Aceptar	Botón RC	DC	3D	Botón RC
45	Q.Menu (menú rápido)	Botón RC	99	Configuración automática	Botón RC
4C	Lista, - (Solo ATSC)	Botón RC	9F	App / *	Botón RC
4D	IMAGEN	Botón RC	9B	TV, PC	Botón RC
52	SONIDO	Botón RC			

\* El código de tecla 4C (0x4C) está disponible en los modelos ATSC/ISDB que utilizan un canal mayor/ menor. (Para Corea del Sur, Japón, Norte América, Latinoamérica, excepto para modelos de Colombia)

## CONFIGURACIÓN DE DISPOSITIVOS DE CONTROL EXTERNOS

- Es posible que la imagen que se muestra no sea exactamente igual a la de su TV.

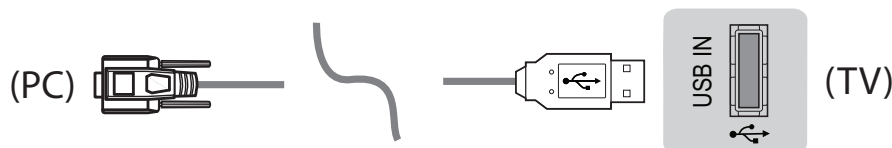
Conecte el USB al convertidor de serie/conector de entrada RS-232C, a un dispositivo de control externo (como una computadora o un sistema de control A/V) para controlar externamente las funciones del producto.

Nota: El tipo de puerto de control de la TV puede variar según la serie de los modelos.

- \* Tenga en cuenta que no todos los modelos admiten este tipo de conectividad.
- \* Cable no proporcionado.

### USB a convertidor de serie con cable USB

Tipo de USB



- LGTV admite el uso de un USB a convertidor de serie basado en chip PL2303 (ID de proveedor: 0x0557, ID de producto: 0x2008) que LG no fabrica ni incluye.
- Puede adquirirse en tiendas de computadoras que venden accesorios para profesionales de soporte de TI.

### RS-232C con cable RS232C

Tipo DE9 (D-Sub 9pin)

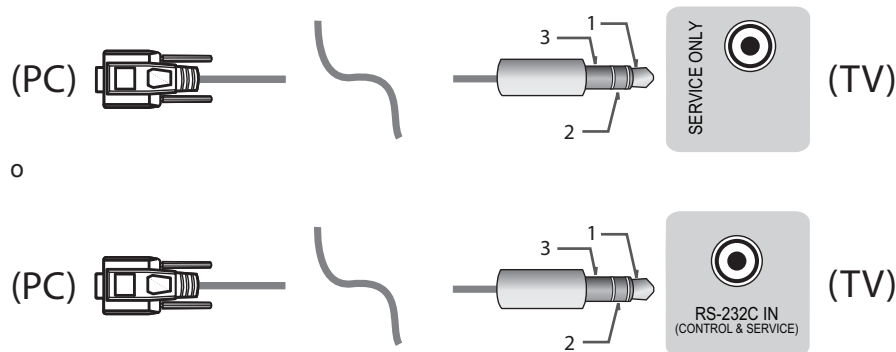
- Necesita comprar el cable RS-232C (DE9, D-Sub 9pin tipo hembra-hembra) a RS-232C necesario para la conexión entre la PC y la TV, el cual se especifica en el manual.



Es posible que la interfaz de conexión no sea exactamente igual a la de su TV.

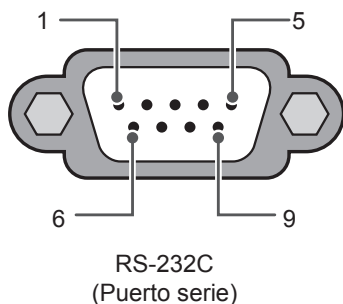
Tipo de adaptador telefónico

- Para realizar la conexión entre la PC y la TV, que se especifica en el manual, debe comprar el cable de conector telefónico a RS-232.
- \* Para otros modelos, conecte al puerto USB.
- \* Es posible que la interfaz de conexión no sea exactamente igual a la de su TV.



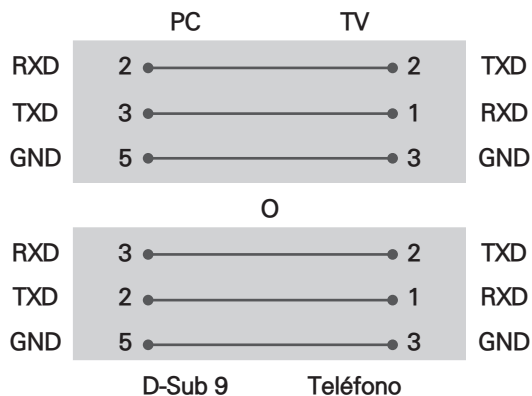
o

Computadora del cliente



Configuraciones de RS-232C

Configuraciones de 3 cables (no estándar)



ID del televisor

Para establecer el número de ID, consulte "Asignación de datos reales" en la página 6

1. Presione **SETTINGS** para acceder a los menús principales.
2. Presione los botones de navegación para desplazarse hasta **(General → Acerca de este TV o OPCIÓN)** y luego presione **OK**.
3. Presione los botones de navegación para desplazarse hasta **ID del televisor** y luego presione **OK**.
4. Desplácese hacia la izquierda o hacia la derecha para establecer un número de ID y seleccione **CERRAR**. El rango de ajuste es de 1 a 99.
5. Al finalizar, presione **EXIT**.  
\*(según el modelo)

## Parámetros de comunicación

- Velocidad en baudios : 9600 bps (UART)
- Longitud de datos: 8 bits
- Paridad: Ninguna
- Bit de parada: 1 bit
- Código de comunicación: código ASCII
- Use un cable cruzado (reversa).

## Lista de referencia de comandos

(según el modelo)

	COMANDO 1	COMANDO 2	Datos (Hexadecimal)		COMANDO 1	COMANDO 2	Datos (Hexadecimal)
01. Encendido*	k	a	00 a 01	15. Balance	k	t	00 a 64
02. Relación de Aspecto	k	c	(página 7)	16. Temperatura del color	x	u	00 a 64
03. Silencio de pantalla	k	d	(página 7)	17. Método de ISM (Solo TV Plasma)	j	p	(página 9)
04. Silencio de volumen	k	e	00 a 01	18. Ecuilizador	j	v	(página 9)
05. Control de Volumen	k	f	00 a 64	19. Ahorro de energía	j	q	00 a 05
06. Contraste	k	g	00 a 64	20. Comando Sintonizar	m	a	(página 9)
07. Brillo	k	h	00 a 64	21. Canal (Programa) Agregar/Borrar (Saltar)	m	b	00 a 01
08. Color	k	i	00 a 64	22. Tecla	m	c	CÓDIGOS de tecla
09. Tinte	k	j	00 a 64	23. Controlar Luz de fondo, Luz del panel de control	m	g	00 a 64
10. Nitidez	k	k	00 a 32	24. Selección de entrada (Ppal.)	x	b	(página 12)
11. Seleccionar OSD	k	l	00 a 01	25. 3D (Solo modelos 3D)	x	t	(página 12)
12. Modo de bloqueo de control remoto	k	m	00 a 01	26. 3D Extendido (Solo modelos 3D)	x	v	(página 12)
13. Agudos	k	r	00 a 64	27. Configuración automática	j	u	(página 12)
14. Graves	k	s	00 a 64				

\* Nota: Durante la reproducción o grabación de medios, todos los comandos, excepto Power (Alimentación) (ka) y Key (Tecla) (mc), no se ejecutan y se reconocen como NG. Con el cable RS232C, la TV puede comunicar el "comando ka" en estado encendido u apagado. pero con el cable conversor de USB a serie, el comando funciona solo si la TV está encendida.

## Protocolo de Transmisión/Recepción

### Transmisión

[Comando1][Comando2][ ][ID del televisor][ ][Dato][Cr]

[Comando 1] : Primer comando para controlar la TV. (j, k, m o x)

[Comando 2] : Segundo comando para controlar la TV.

[ID del televisor]: Puede ajustar [ID del televisor] para elegir el número de ID del monitor que desea en el menú de opciones.

El rango de ajuste en la TV es de 1 a 99. Si el valor [ID del televisor] se selecciona en "0", se puede controlar cada conjunto conectado.

\* [ID del televisor] se indica como decimal (1 a 99) en el menú y como hexadecimal (0x00 a 0x63) en el protocolo de transmisión/recepción.

[DATO] : Para transmitir los datos de comando (hexadecimal). Transmite datos "FF" para leer el estado del comando.

[Cr] : Retorno de carro: código ASCII "0x0D"

[ ] : Espacio: código ASCII "0x20"

### Reconocimiento de aceptación

[Comando2][ ][ID del televisor][ ][OK][Dato][x]

El televisor transmite mensajes de ACK (reconocimiento) sobre la base de este formato cuando recibe datos normales. En este momento, si los datos se encuentran en modo de lectura, indica los datos de estado actuales. Si los datos se encuentran en modo de escritura, devuelve los datos de la PC.

### Reconocimiento de error

[Comando2][ ][ID del televisor][ ][NG][Dato][x]

\* El conjunto transmite mensajes de ACK (reconocimiento) sobre la base de este formato cuando recibe datos anormales de uniones no viables o errores de comunicación.

Datos 00: código ilegal

### Asignación de datos reales (Hexadecimal → Decimal)

\* Cuando ingresa los [Dato] en hexadecimal, consulte la tabla de conversión a continuación.

\* El Comando de sintonización de canales (ma) utiliza un valor hexadecimal de dos bytes ([Dato]) para seleccionar el número de canal.

00: Paso 0	32: Paso 50 (ID del televisor 50)	FE: Paso 254
01: Paso 1 (ID del televisor 1)	33: Paso 51 (ID del televisor 51)	FF: Paso 255
...	...	...
0A: Paso 10 (ID del televisor 10)	63: Paso 99 (ID del televisor 99)	01 00: Paso 256
...	...	...
0F: Paso 15 (ID del televisor 15)	C7: Paso 199	27 0E: Paso 9998
10: Paso 16 (ID del televisor 16)	C8: Paso 200	27 0F: Paso 9999
...	...	...

\* Según el modelo y la señal, los comandos podrán funcionar de un modo diferente.

01. Potencia (Comando: k a)

- ▶ Para controlar el encendido o apagado del dispositivo.

Transmisión [k][a][ ][ID del televisor][ ][Dato][Cr]

Dato 00: Apagado      01: \*Encendido

Ack [a][ ][ID del televisor][ ][OK/NG][Dato][x]

- ▶ Para mostrar que la TV está encendida o \*apagada

Transmisión [k][a][ ][ID del televisor][ ][Dato][Cr]

Ack [a][ ][ID del televisor][ ][OK][Dato][x]

\* De igual manera, si otras funciones transmiten datos "FF" de acuerdo con este formato, la retroalimentación de reconocimiento presenta el estado de cada función.

02. Relación de aspecto (Comando: k c)  
(Tamaño de la imagen principal)

- ▶ Para ajustar el formato de la pantalla. (Formato de imagen principal)  
También puede ajustar el formato de pantalla mediante la opción Relación de aspecto en el Q.MENU. o en el menú IMAGEN.

Transmisión [k][c][ ][ID del televisor][ ][Dato][Cr]

Dato 01: Pantalla normal (4:3)	07: 14:9 (Europa, Colombia, Oriente Medio, Asia, excepto Corea del Sur y Japón)
02: Pantalla amplia (16:9)	09: * Original
04: Zoom	0B: Ancho total
05: Zoom 2 (Solo Latinoamérica, excepto Colombia)	0C: Oriente Medio, Asia, excepto Corea del Sur y Japón)
06: Por Programa	10 a 1F: Zoom cine 1 a 16

Ack [c][ ][ID del televisor][ ][OK/NG][Dato][x]

- \* Usando la entrada de PC, seleccione la relación de aspecto de la pantalla de 16:9 o 4:3.
- \* En el modo DTV/HDMI/Componente (alta definición), Sólo búsqueda está disponible.
- \* El modo ancho completo puede funcionar de modo diferente según el modelo y es totalmente compatible con DTV y parcialmente compatible con ATV y AV.

03. Screen Mute (Silencio de pantalla) (Comando: k d)

- ▶ Para seleccionar el silenciador de la pantalla en Encendido o Apagado.

Transmisión [k][d][ ][ID del televisor][ ][Dato][Cr]

Datos    00: Silenciador de pantalla apagado (imagen encendida)  
          Silenciador de video apagado.  
          01: Silenciador de pantalla encendido (imagen apagada)  
          10: Silenciador de video encendido

Ack [d][ ][ID del televisor][ ][OK/NG][Dato][x]

\* Solo en caso el caso del silenciador de video activado, la TV mostrará la visualización en pantalla (OSD). Pero si está activado el silencio de la pantalla, el televisor no mostrará dicha visualización (OSD).

04. Silenciador de volumen (Comando: k e)

- ▶ Para activar o desactivar el silencio del volumen.  
También es posible ajustar el silenciador a través del botón MUTE del control remoto.

Transmisión [k][e][ ][ID del televisor][ ][Dato][Cr]

Datos 00: Silenciador de volumen encendido (Volumen apagado)  
          01: Silenciador de volumen apagado (Volumen encendido)

Ack [e][ ][ID del televisor][ ][OK/NG][Dato][x]

05. Volume Control (Control de volumen) (Comando: k f)

- ▶ Para ajustar el volumen.  
También puede ajustar el volumen con los botones de volumen en el control remoto.

Transmisión [k][f][ ][ID del televisor][ ][Dato][Cr]

Datos Mín. : 00 a Máx.: 64

Ack [f][ ][ID del televisor][ ][OK/NG][Dato][x]

06. Contraste (Comando: k g)

- ▶ Para ajustar el contraste de la pantalla.  
También puede ajustar el contraste en el menú IMAGEN.

Transmisión [k][g][ ][ID del televisor][ ][Dato][Cr]

Datos Mín. : 00 a Máx.: 64

Ack [g][ ][ID del televisor][ ][OK/NG][Dato][x]

## 07. Brillo (Comando: k h)

- ▶ Para ajustar el brillo de la pantalla. También puede ajustar el brillo en el menú IMAGEN.

Transmisión [k][h][ ][ID del televisor][ ][Dato]  
[Cr]

Datos Mín. : 00 a Máx.: 64

Ack [h][ ][ID del televisor][ ][OK/NG][Dato][x]

## 08. Color (Comando: k i)

- ▶ Para ajustar el Color de la pantalla. También puede ajustar el color en el menú IMAGEN.

Transmisión [k][i][ ][ID del televisor][ ][Dato]  
[Cr]

Datos Mín. : 00 a Máx.: 64

Ack [i][ ][ID del televisor][ ][OK/NG][Dato][x]

## 09. Tinte (Comando: k j)

- ▶ Para ajustar el tinte de la pantalla. También puede ajustar el tinte en el menú IMAGEN.

Transmisión [k][j][ ][ID del televisor][ ][Dato]  
[Cr]

Datos Rojo: 00 a Verde: 64

Ack [j][ ][ID del televisor][ ][OK/NG][Dato][x]

## 10. Nitidez (Comando: k k)

- ▶ Para ajustar la nitidez de la pantalla. También puede ajustar la nitidez en el menú IMAGEN.

Transmisión [k][k][ ][ID del televisor][ ][Dato]  
[Cr]

Datos Mín. : 00 a Máx.: 32

Ack [k][ ][ID del televisor][ ][OK/NG][Dato][x]

## 11. OSD Select (Selección de OSD) (Comando: k l)

- ▶ Para seleccionar el encendido o apagado del modo de visualización en pantalla (OSD) durante el control remoto.

Transmisión [k][l][ ][ID del televisor][ ][Dato]  
[Cr]

Dato 00: OSD apagado 01: OSD encendido

Ack [l][ ][ID del televisor][ ][OK/NG][Dato][x]

## 12. Remote control lock mode (Modo de bloqueo del control remoto) (Comando: k m)

- ▶ Para bloquear el control remoto y los controles del panel frontal del televisor.

Transmisión [k][m][ ][ID del televisor][ ][Dato]  
[Cr]

Dato 00: Bloqueo desactivado 01: Bloqueo activado

Ack [m][ ][ID del televisor][ ][OK/NG][Dato][x]

- \* Si no está utilizando el control remoto, use este modo.

Cuando la potencia principal se apaga y enciende (se desconecta y conecta, después de 20 a 30 segundos), se lanza el bloqueo del control externo.

- \* En modo de espera (CC apagada mediante la hora de apagado o el comando "ka", "mc") si está activado el bloqueo de teclas, la TV no se encenderá al presionar la tecla de encendido de IR o la tecla local.

## 13. Treble (Agudos) (Comando: k r)

- ▶ Para ajustar los agudos. También puede ajustarlos en el menú AUDIO.

Transmisión [k][r][ ][ID del televisor][ ][Dato]  
[Cr]

Datos Mín. : 00 a Máx.: 64

Ack [r][ ][ID del televisor][ ][OK/NG][Dato][x]

- \* (según el modelo )

## 14. Graves (Comando: k s)

- ▶ Para ajustar los bajos. También puede ajustarlos en el menú AUDIO.

Transmisión [k][s][ ][ID del televisor][ ][Dato]  
[Cr]

Datos Mín. : 00 a Máx.: 64

Ack [s][ ][ID del televisor][ ][OK/NG][Dato][x]

- \* (según el modelo )

## 15. Balance (Comando: k t)

- ▶ Para ajustar el balance. También puede ajustar el balance en el menú AUDIO.

Transmisión [k][t][ ][ID del televisor][ ][Dato]  
[Cr]

Datos Mín. : 00 a Máx.: 64

Ack [t][ ][ID del televisor][ ][OK/NG][Dato][x]



ID del televisor = Todo = 00  
 Datos 00 & 01 = Datos de canal es 1000 = 03 E8  
 Datos 02 = Satélite de TV digital = 40  
 Resultado = **ma 00 03 E8 40**

```
Ack [a][ ][ID del televisor][ ][OK][Dato 00]
[Dato 01][Dato 02][x][a][ ][ID del televisor][ ]
[NG][Dato 00][x]
```

- Para los modelos de Corea del Sur, América del Norte, América Latina, excepto Colombia.
- ▶ Para sintonizar los canales en el siguiente número físico/mayor/menor.

```
Transmisión [m][a][ ][0][ ][Dato00][ ][Dato01]
[ ][Dato02][ ][Dato03][ ][Dato04][ ][Dato05][Cr]
```

Los canales digitales poseen un número de canal físico, mayor y menor. El número físico es el número de canal digital real, el mayor es el número al cual el canal se debe asignar y el menor es el subcanal. Como el sintonizador ATSC asigna automáticamente el canal al número mayor/menor, cuando se envía un comando en modo Digital, no es necesario especificar el número físico.

\* Analógica Antena/Cable

Datos 00 : número de canal físico  
 - Antena (ATV): 02~45 (decimal: 2 ~ 69)  
 - cable (CATV): 01, 0E~7D (decimal: 1, 14~125)

Datos 01 y 04: número de canal mayor/menor  
 Datos 01 y 02: xx (no importa)  
 Datos 03 y 04: xx (no importa)  
 Datos 05: fuente de entrada (analógica)  
 - 00: TV Antena (ATV)  
 - 01: TV por cable (CATV)

\* Antena digital/Cable

Datos 00: xx (no importa)

[Dato 01][Dato 02]: número de canal mayor  
 Datos 01: datos de canal de bytes altos  
 Datos 02: datos de canal de bytes bajos  
 - 00 01 ~ 27 0F (decimal: 1 ~ 9999)  
 [Dato 03][Dato 04]: número de canal menor  
 Datos 03: datos de canal de bytes altos  
 Datos 04: datos de canal de bytes bajos

Datos 05: fuente de entrada (digital)  
 - 02: TV Antena (DTV): usar número de canal físico  
 - 06: Cable de TV (CADTV): usar número de canal físico  
 - 22: TV Antena (DTV): no usar número de canal físico  
 - 26: Cable de TV (CADTV): no usar un número de canal físico  
 - 46: Cable de TV (CADTV): usar solo un Physical/número de canal mayor (canal de una parte)  
 - 66: Cable de TV (CADTV): usar solo un número de canal mayor (canal de una parte)

- 0b : Cable DTV Plus – usar número de canal físico
- 2b : Cable DTV Plus – no usar número de canal físico
- 4b : Cable DTV Plus – usar solo un número de Canal Físico/Mayor (Canal de una parte)
- 6b : Cable DTV Plus – usar solo un número de canal mayor (canal de una parte)

Hay dos bytes disponibles para cada dato de canal mayor y menor, pero generalmente, solo se usa el byte más bajo (los bytes altos son de 0).

\* Ejemplos de comandos de sintonización:

1. Sintonice el canal de cable analógico (NTSC) 35.

ID del televisor = Todo = 00  
 Datos 00 = Datos de canal es 35 = 23  
 Datos 01 & 02 = No Mayor = 00 00  
 Datos 03 & 04 = No Menor = 00 00  
 Datos 05 = Cable de TV analógico = 01  
 Total = **ma 00 23 00 00 00 01**

2. Sintonice el canal Antena digital (ATSC) 30-3.

ID del televisor = Todo = 00  
 Datos 00 = No conoce Físico = 00  
 Datos 01 & 02 = Mayor es 30 = 00 1E  
 Datos 03 & 04 = Menor es 3 = 00 03  
 Datos 05 = TV Antena digital = 22  
 Total = **ma 00 00 00 1E 00 03 22**

```
Ack [a][ ][ID del televisor][ ][OK][Dato 00]
[Dato 01][Dato 02][Dato 03][Dato 04][Dato 05]
[x][a][ ][ID del televisor][ ][NG][Dato 00][x]
```

- Para modelos de Japón
- ▶ Para sintonizar los canales en el siguiente número físico/mayor/menor.

```
Transmisión [m][a][ ][0][ ][Dato00][ ][Dato01]
[ ][Dato02][ ][Dato03][ ][Dato04][ ][Dato05][Cr]
```

\* Antena digital/Satélite  
 Datos 00: xx (no importa)

[Dato 01][Dato 02]: número de canal mayor  
 Datos 01: datos de canal de bytes altos  
 Datos 02: datos de canal de byte bajos  
 - 00 01 ~ 27 0F (decimal: 1 ~ 9999)

[Dato 03][Dato 04]: Número de canal menor/  
 sucursal  
 (No importa en satélite)

Datos 03: datos de canal de bytes altos  
 Datos 04: datos de canal de byte bajos

Datos 05: fuente de entrada (digital/satelital para Japón)  
 - 02 : TV Antena (DTV)  
 - 42 : TV Antena (DTV) – usar solo un número de Canal Físico/Mayor (Canal de una parte)  
 - 62 : TV Antena (DTV) – usar solo un número de canal mayor (canal de una parte)  
 - 07: BS (satélite de transmisión)  
 - 08: CS1 (satélite de comunicación 1)

- 09: CS2 (satélite de comunicación 2)

- \* Ejemplos de comandos de sintonización:
- 1 Sintonizar el canal Antena digital (ISDB-T) 17-1.  
ID del televisor = Todo = 00  
Datos 00 = No conoce Físico = 00  
Datos 01 & 02 = Mayor es 17 = 00 11  
Datos 03 & 04 = Menor/Sucursal es 1 = 00 01  
Datos 05 = TV Antena digital = 02  
Total = **ma 00 00 00 11 00 01 02**

2. Sintonizar el canal BC (ISDB-BS) 30.

ID del televisor = Todo = 00  
Datos 00 = No conoce Físico = 00  
Datos 01 & 02 = Mayor es 30 = 00 1E  
Datos 03 & 04 = No importa = 00 00  
Datos 05 = TV BC Digital = 07  
Total = **ma 00 00 00 1E 00 00 07**

\* Esta función varía según el modelo.

Ack [a][ ][ID del televisor][ ][OK][Dato 00]  
[Dato 01][Dato 02][Dato 03][Dato 04][Dato 05]  
[x][a][ ][ID del televisor][ ][NG][Dato 00][x]

21. Canal (Programa) Agregar/Borrar (Saltar)  
(Comando: m b)

- Para saltar el canal actual (programa) para otra ocasión.

Transmisión [m][b][ ][ID del televisor][ ][Dato]  
[Cr]

Dato 00: Borrar(ATSC, ISDB)/Saltar 01: Agregar (DVB)

Ack [b][ ][ID del televisor][ ][OK/NG][Dato][x]

\* Establecer el estado del canal guardado en borrar (ATSC, ISDB)/saltar (DVB) o agregar.

22. Key (Tecla) (Comando: m c)

- Para enviar el código de tecla del control remoto IR.

Transmisión [m][c][ ][ID del televisor][ ][Dato]  
[Cr]

Datos Código de tecla - página 2.

Ack [c][ ][ID del televisor][ ][OK/NG][Dato][x]

23. Control BackLight (Control de la luz de fondo)  
(Comando: m g)

- Para TV LCD/TV LED
- Para controlar luz de pantalla.

Transmisión [m][g][ ][ID del televisor][ ][Dato]  
[Cr]

Datos Mín.: 00 a Máx.: 64

Ack [g][ ][ID del televisor][ ][OK/NG][Dato][x]

• Para TV plasma

- Para controlar la luz del panel

Transmisión [m][g][ ][ID del televisor][ ][Dato]  
[Cr]

Datos Mín.: 00 a Máx.: 64

Ack [g][ ][ID del televisor][ ][OK/NG][Dato][x]

24. Input select (Selección de entrada) (Comando: x b)

(Entrada de la imagen principal)

- Para seleccionar la fuente de entrada para la imagen principal.

Transmisión [x][b][ ][ID del televisor][ ][Dato]  
[Cr]

Datos

00: DTV	01: CADTV
02 : Satelital DTV	10: ATV
ISDB-BS (Japón)	
03: ISDB-CS1 (Japón)	
04: ISDB-CS2 (Japón)	
11: CATV	
20: AV o AV1	21: AV2
40: Componente1	41: Componente 2
60: RGB	
90: HDMI1	91: HDMI2
92: HDMI3	93: HDMI4

Ack [b][ ][ID del televisor][ ][OK/NG][Dato][x]

\* Esta función varía según el modelo y la señal.

25. 3D (Comando: x t) (solo modelos 3D)  
(Depende del modelo)

- Para cambiar el modo 3D del TV.

Transmisión [x][t][ ][ID del televisor][ ]  
[Dato 00][ ][Dato 01][ ][Dato 02][ ][Dato 03][Cr]

\* (según el modelo )

Datos estructura

[Dato 00] 00: 3D encendido  
01: 3D apagado  
02: 3D a 2D  
03: 2D a 3D  
[Dato 01] 00: Top and Bottom (Superior e Inferior)  
01: Side by Side (Vertical)  
02: Check Board (Comprobar panel)  
03: Frame Sequential (Fotogramas secuenciales)  
04: Column interleaving (Intercalado en columna)  
05: Row interleaving (Intercalado en fila)  
[Dato 02] 00: Derecha a Izquierda  
01: Izquierda a Derecha  
[Dato 03] Efecto 3D (profundidad 3D): Mín.: 00 - Máx.: 14  
(\*transmite por código hexadecimal)

\* Si [Dato 00] es 00 (3D encendido), [Dato 03] no es relevante.



- \* Si [Dato 00] es 01 (3D apagado) o 02 (3D a 2D), [Dato 01], [Dato 02] y [Dato 03] no son relevantes.
- \* Si [Dato 00] es 03 (2D a 3D), [Dato 01] y [Dato 02] no son relevantes.
- \* Si [Dato 00] es 00 (3D encendido) o 03 (2D a 3D), [Dato 03] funciona solo cuando el modo 3D (género) es manual.
- \* Es posible que todas las opciones del patrón de 3D ([Dato 01]) no estén disponibles según la transmisión/señal de video.

[Dato 00]	[Dato 01]	[Dato 02]	[Dato 03]
00	O	O	O
01	X	X	X
02	X	X	X
03	X	O	O

X: no importa

```
Ack [t][ ][ID del televisor][ ][OK][Dato00]
[Dato01][Dato02][Dato03][x][t][ ]
[ID del televisor][ ][NG][Dato00][x]
```

26. 3D extendido (Comando: x v) (solo modelos 3D) (Depende del modelo)

- Para cambiar la opción 3D del televisor.

```
Transmisión [x][v][ ][ID del televisor][ ][Dato 00]
[ ][Dato 01][Cr]
```

[Dato 00] Opción 3D

- 00: Corrección de imagen 3D
- 01: Profundidad 3D (Modo 3D es Solo manual)
- 02: Punto de vista 3D
- 06 : Corrección de Color 3D
- 07 : Ampliación de Sonido 3D
- 08 : Vista de imagen normal
- 09 : Modo 3D (Tipo)

[Dato 01] Cuenta con su propio rango para cada opción 3D determinada por [Dato 00].

- 1) Cuando [Dato 00] es 00
  - 00: Derecha a Izquierda
  - 01: Izquierda a Derecha

- 2) Cuando [Dato 00] es 01, 02
  - Dato Mín.: 0 - Máx.: 14 (\*transmite por código hexadecimal)

El rango de valores de datos (0 - 20) convierte el rango de visión (-10 - +10) de forma automática (según el modelo)

- \* Esta función funciona cuando el modo 3D (género) es solo manual.

- 3) Cuando [Dato 00] es 06, 07
  - 00: encendido
  - 01: apagado

- 4) Cuando [Dato 00] es 08
  - 00: revertir a video 3D de video 2D convertido de 3D a 2D
  - 01: cambiar video 3D a video 2D, excepto video 2D a 3D

- \* Si la condición de la conversión no se cumple, el comando se trata como NG.

5) Cuando [Dato 00] es 09

- 00: Estándar
- 01: Deportes
- 02: Cine
- 03: Extremo
- 04: Manual
- 05: Automático

```
Ack [u][ ][ID del televisor][ ][OK/NG][Dato][x]
```

```
Ack [v][ ][ID del televisor][ ][OK][Dato00]
```

```
[Dato01][x][v][ ][ID del televisor][ ][NG][Dato00]
[x]
```

27. Configuración automática (Comando: j u) (Depende del modelo)

- Para ajustar la ubicación de la imagen y reducir su temblor de manera automática. La configuración automática solo funciona en el modo RGB-PC.

```
Transmisión [j][u][ ][ID del televisor][ ][Dato][Cr]
```

Dato 01: Para ajustar el Configuración automática

```
Ack [u][ ][ID del televisor][ ][OK/NG][Dato][x]
```